



# Percival Proctor Mk.III in civil service

1/72 SCALE MODEL CONSTRUCTION KIT

Ready to assemble scale models kit.

Contains part for one model.

Model length: 112 mm

Wingspan: 168 mm

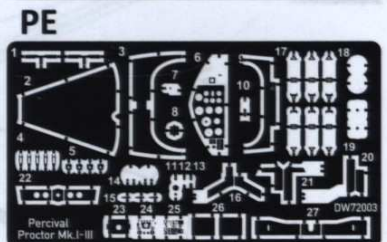
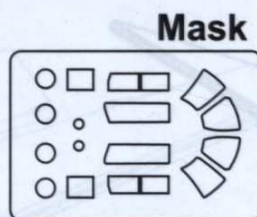
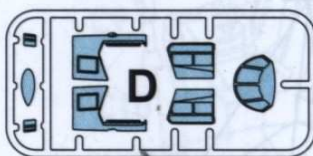
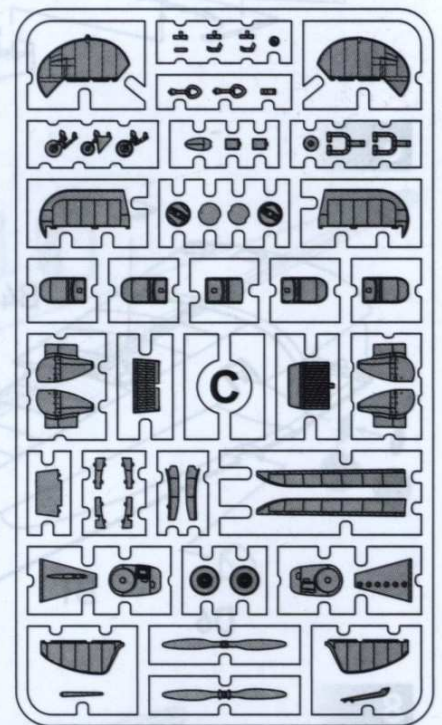
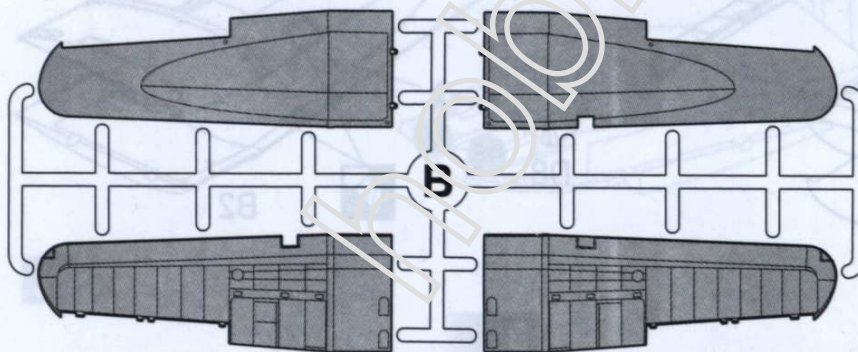
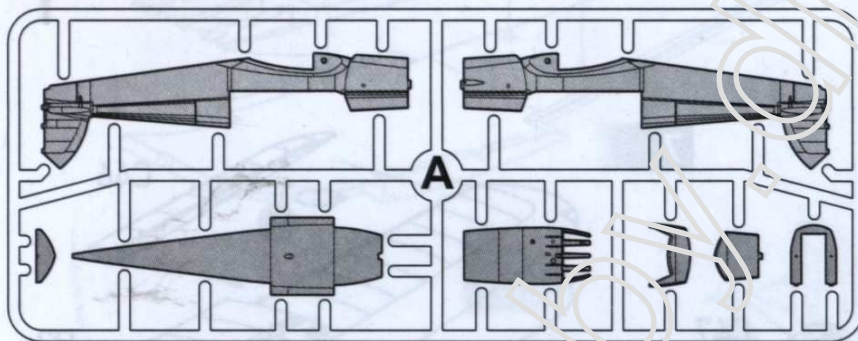
Plastic parts: 57

Photoetched parts: 47

The Proctor was developed from the Percival Vega Gull in response to Air Ministry Specification 23/38 for a radio trainer and communications aircraft. A total of 1143 pcs were built. Mod. P.34 Proctor III - three-seat radio trainer for Bomber Command radio operators, 437 built.

The Percival Proctor was created on the basis of the original drawings, which were given to the company of Dora Wings by **Mr. John Adams (Aeroclub company)**. He also advised the designers of the company, and provided help. The team of Dora Wings expresses great gratitude to John Adams for help and advice. You're the man John!

## PARTS OF THE MODEL

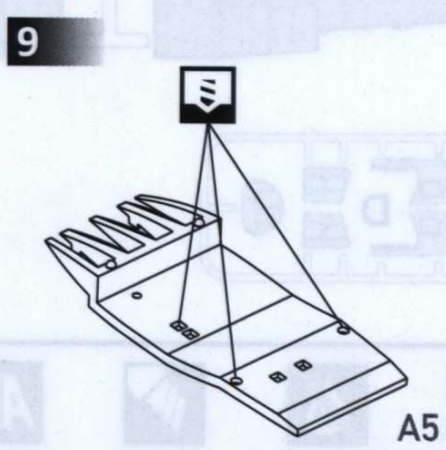
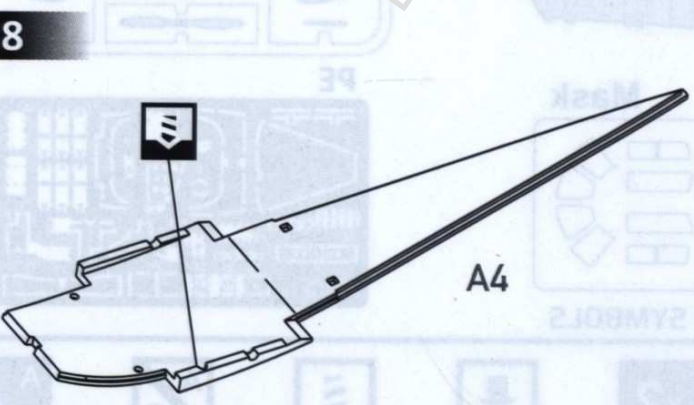
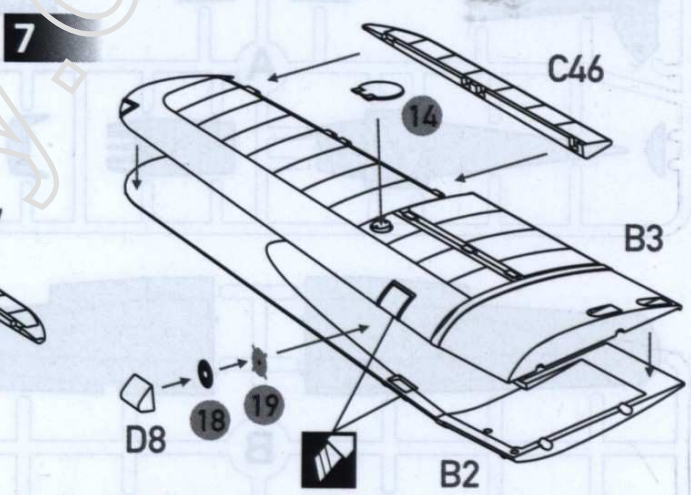
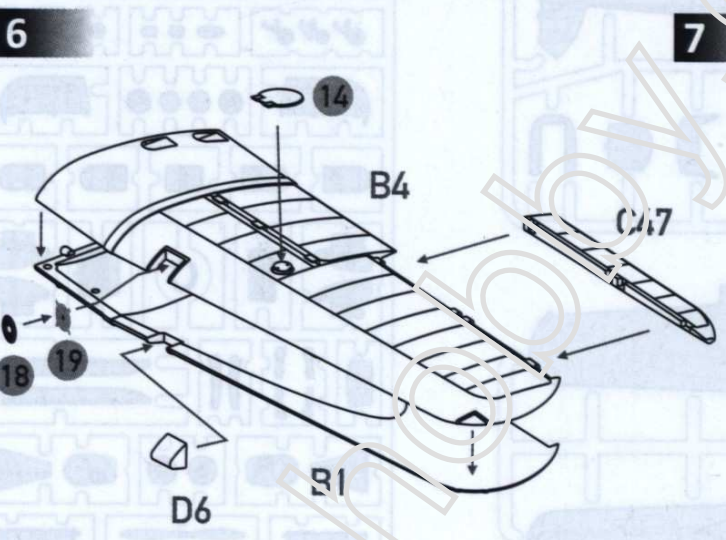
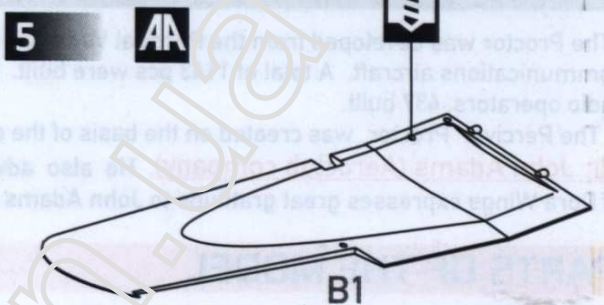
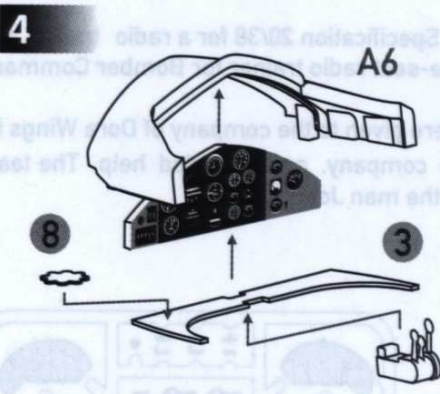
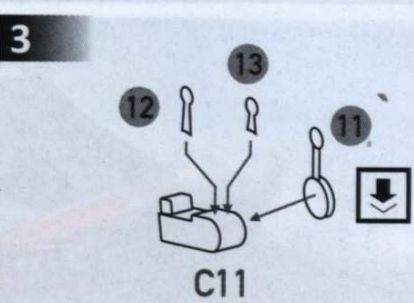
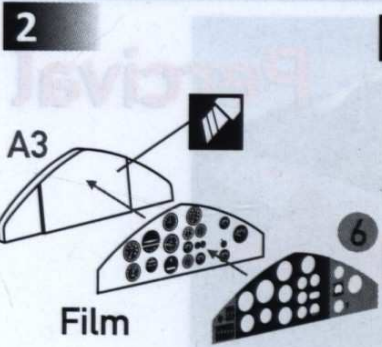
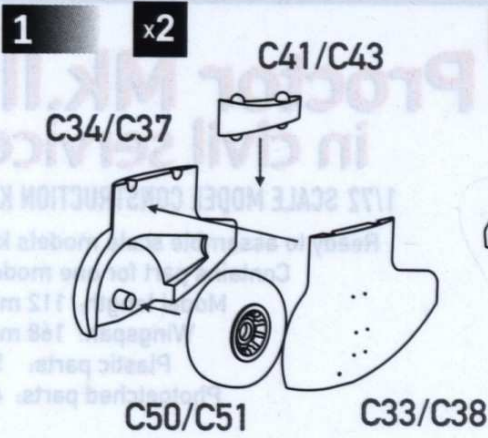


### USED SYMBOLS

- CEMENT
- DON'T CEMENT
- REMOVE
- SYMMETRICAL
- MULTIPLE
- BEND
- OPEN WHOLE
- VARIANTS
- TO PAINT

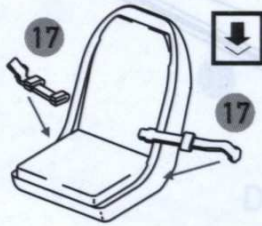
# ASSEMBLY INSTRUCTION

DW 72017



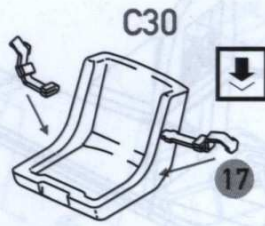
10

x2



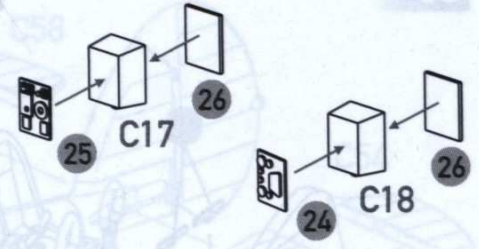
C28/29

11



C30

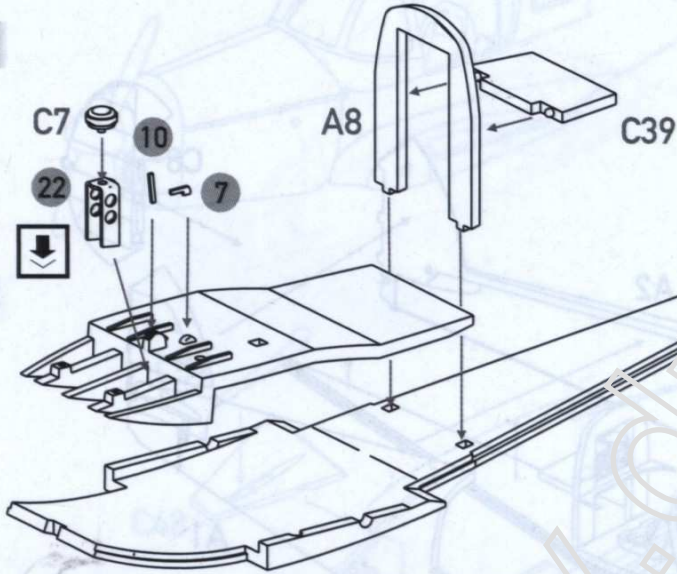
12



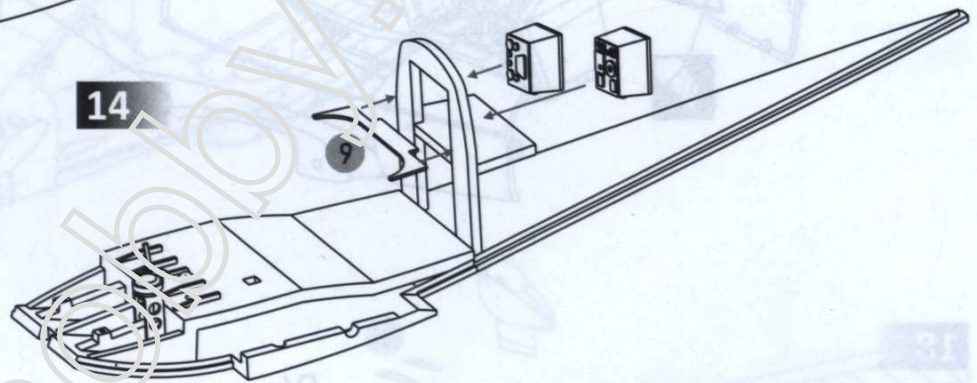
C17

C18

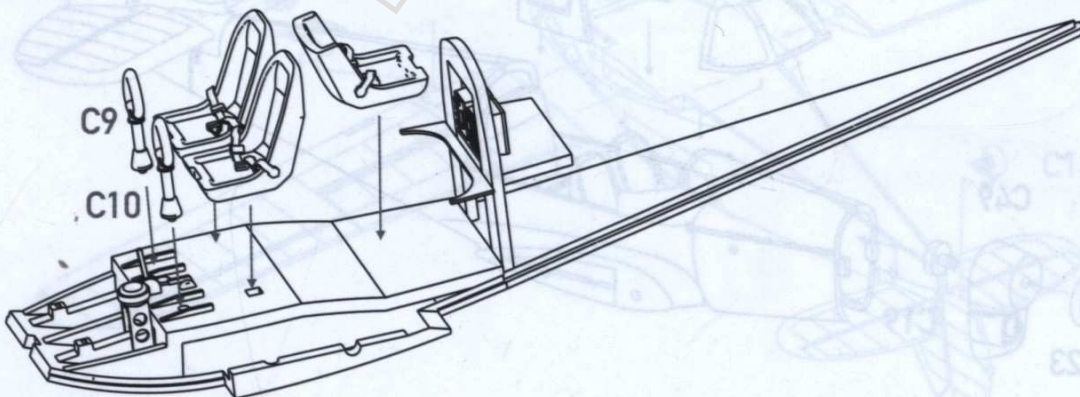
13



14



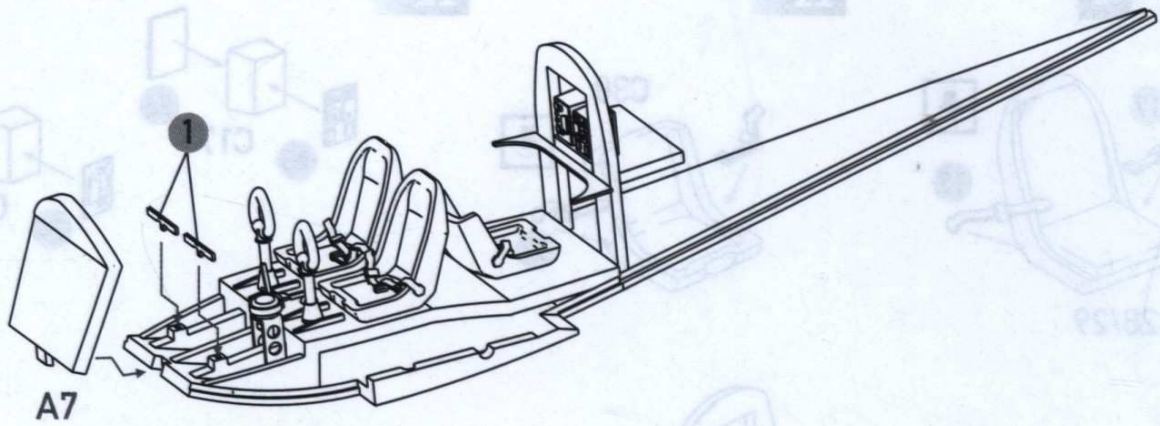
15



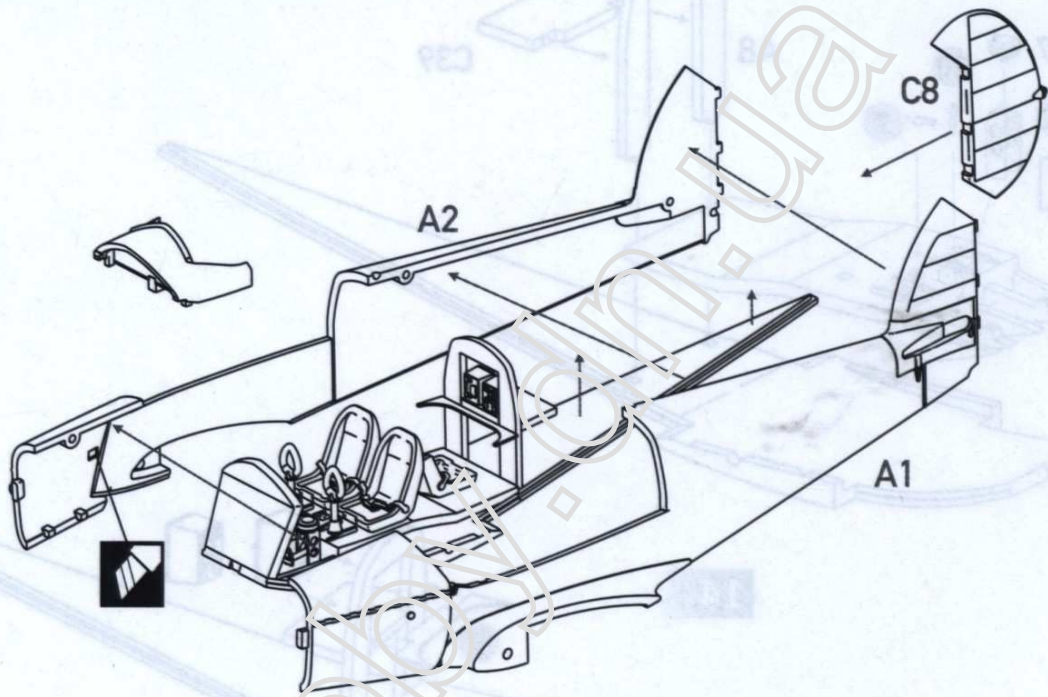
C9

C10

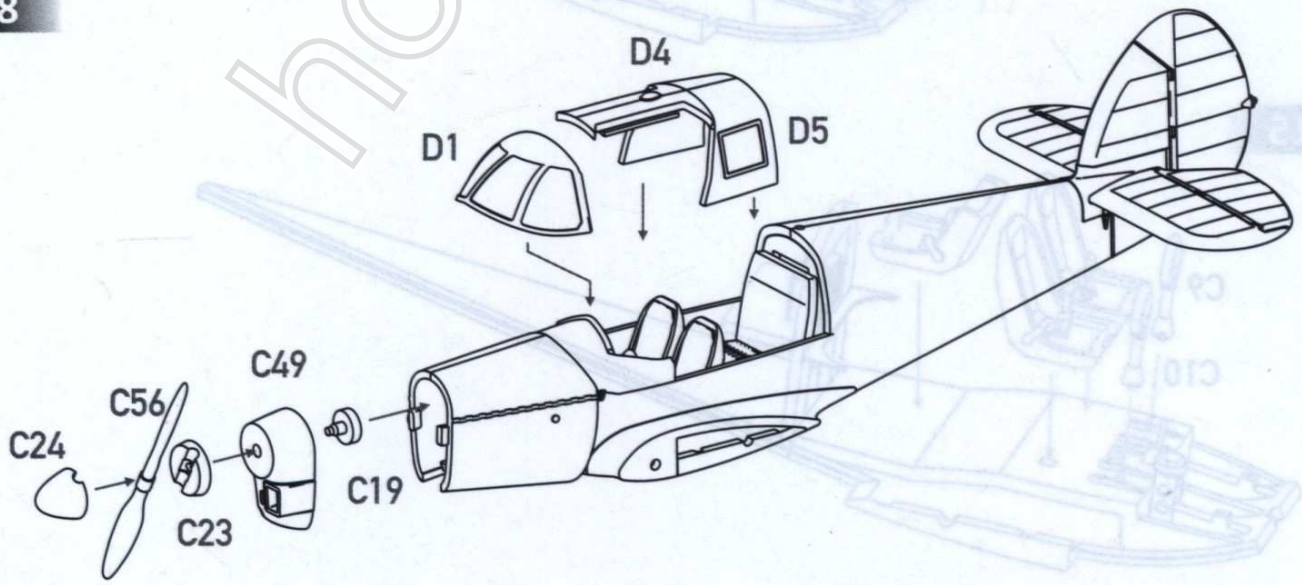
16



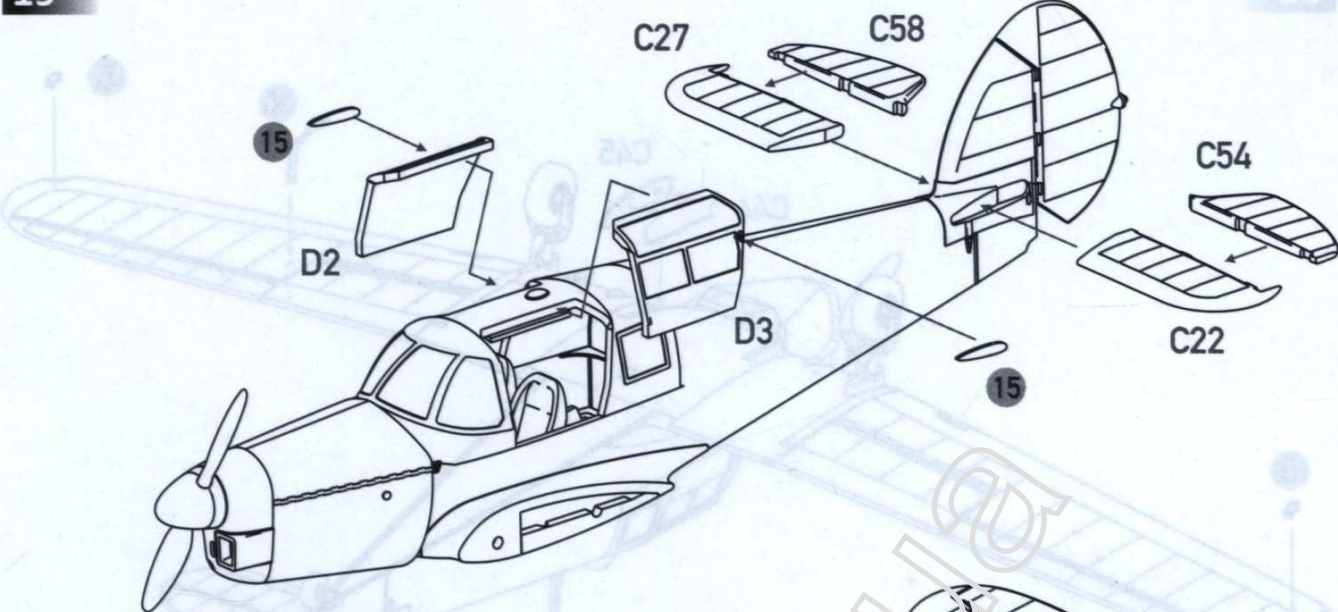
17



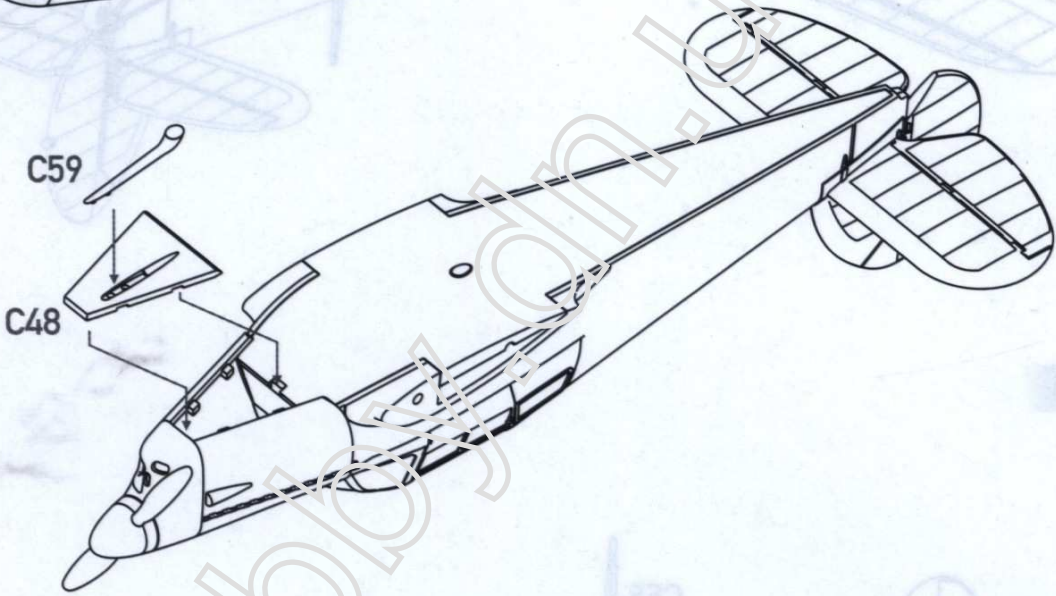
18



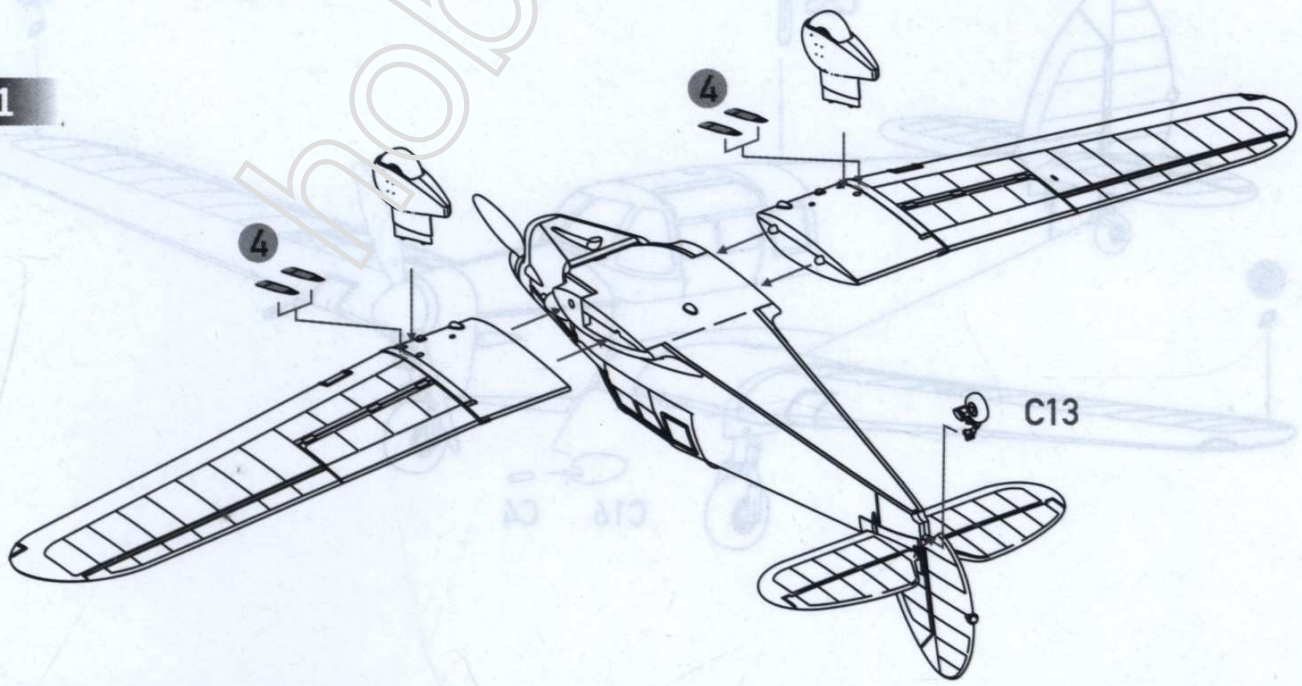
19



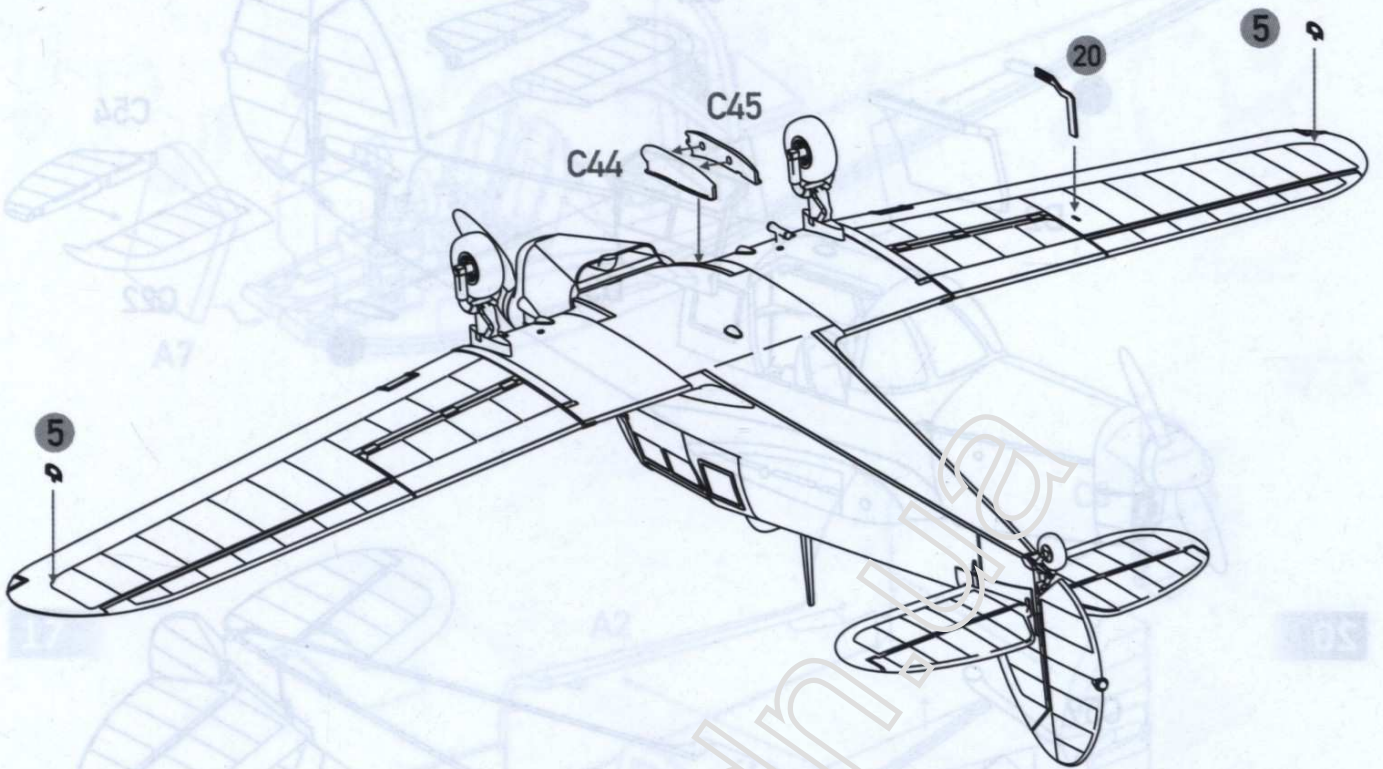
20



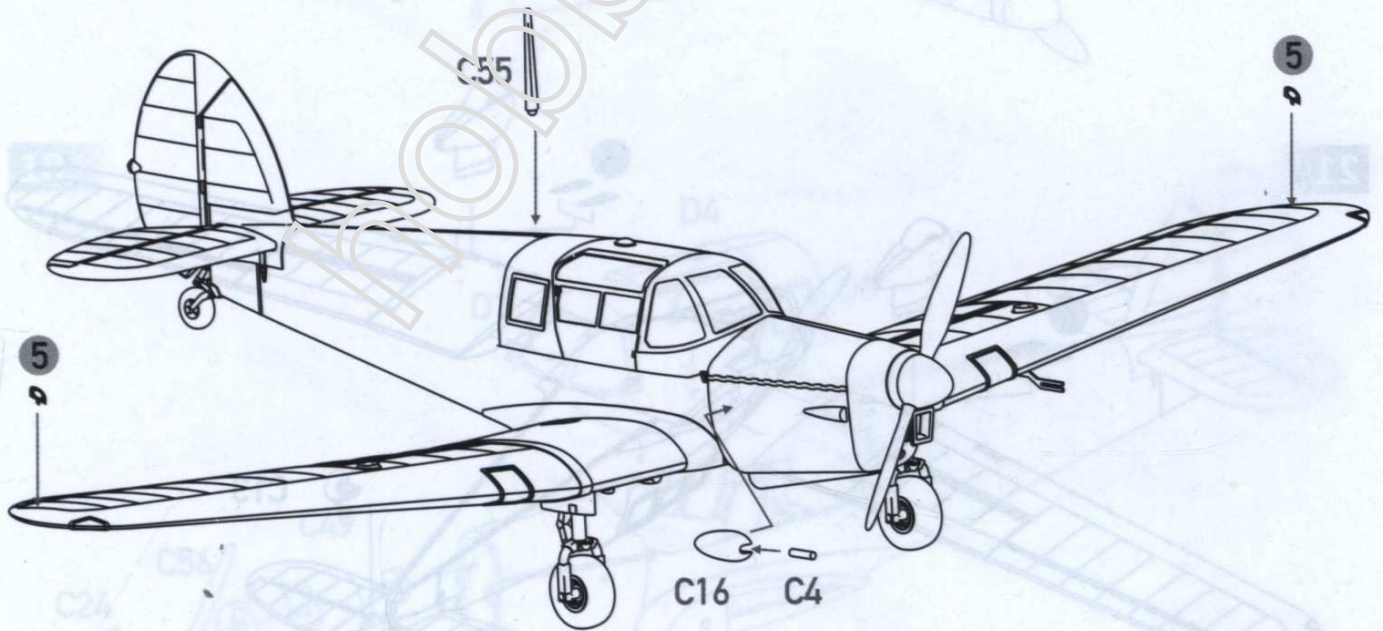
21



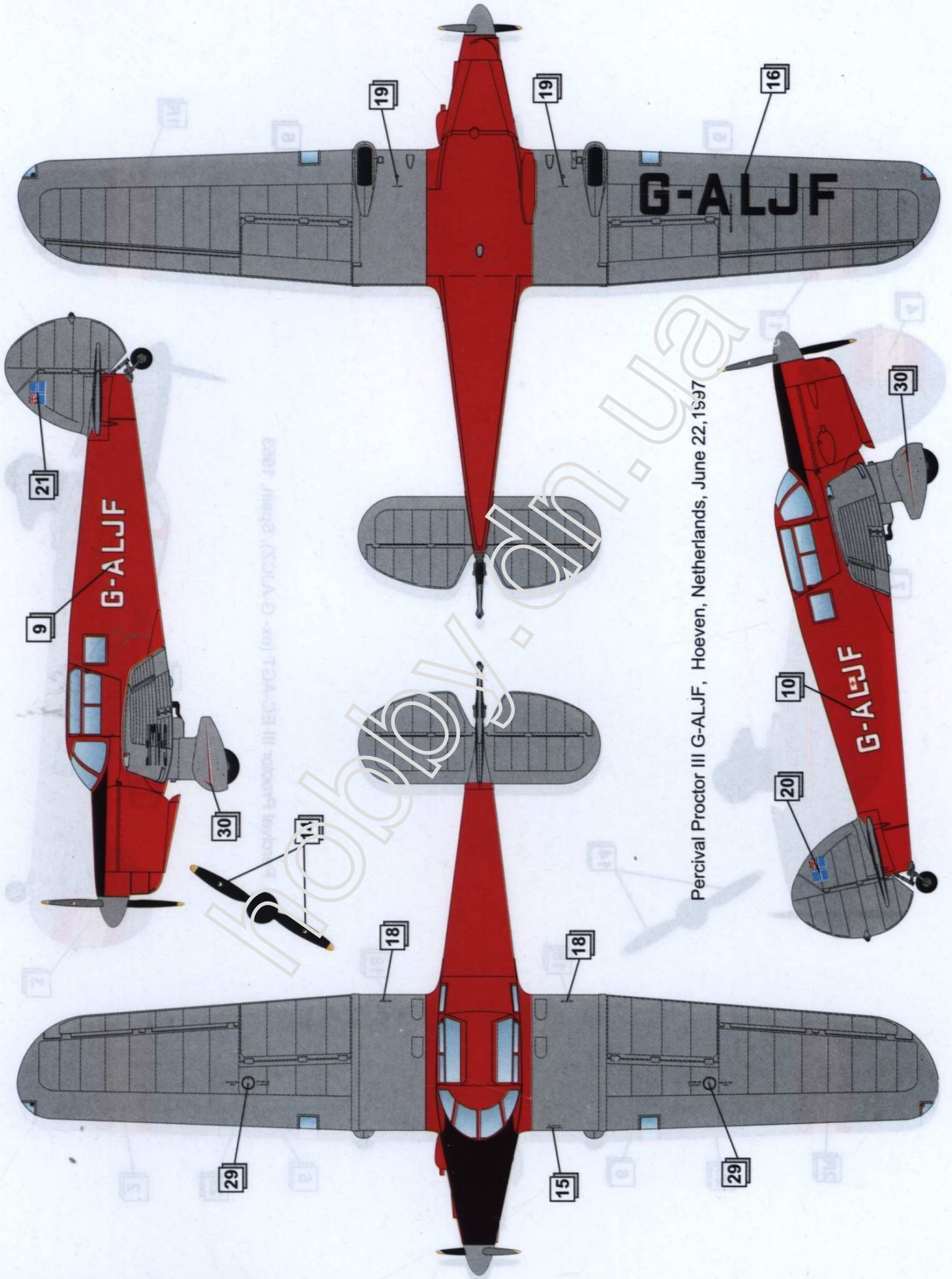
22



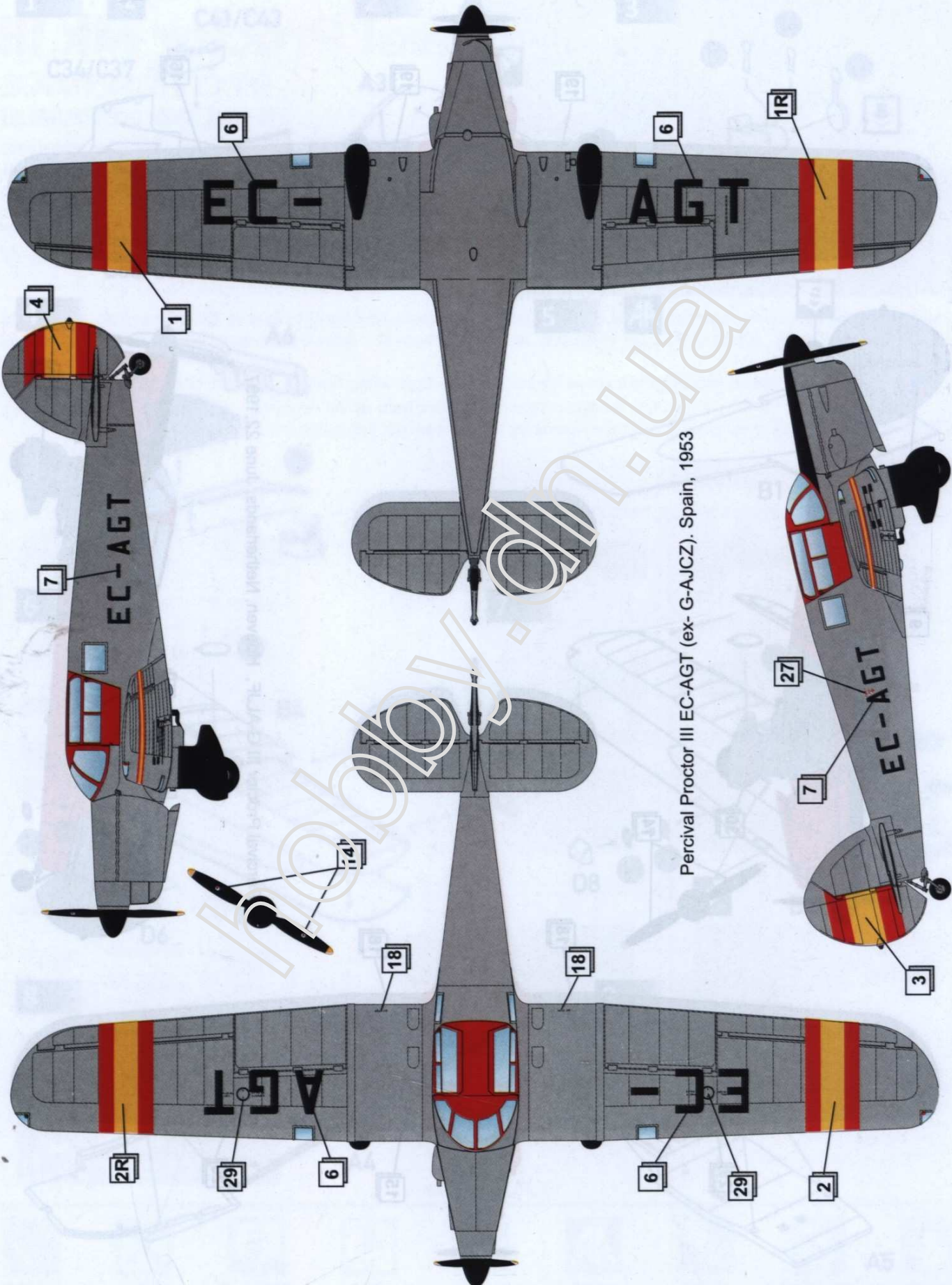
23



COLOR SCHEME



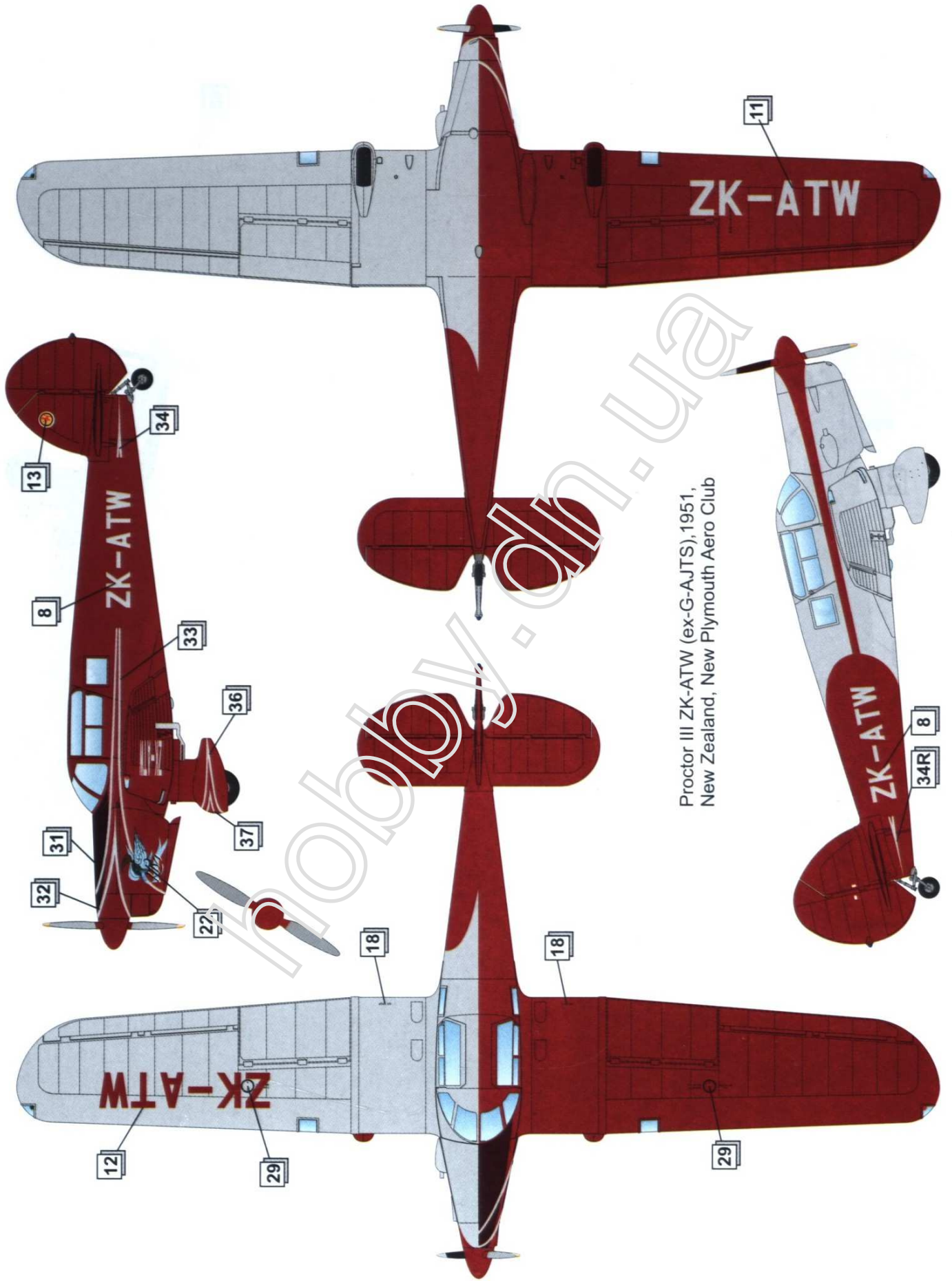
Percival Proctor III G-ALJF, Hoeven, Netherlands, June 22, 1997



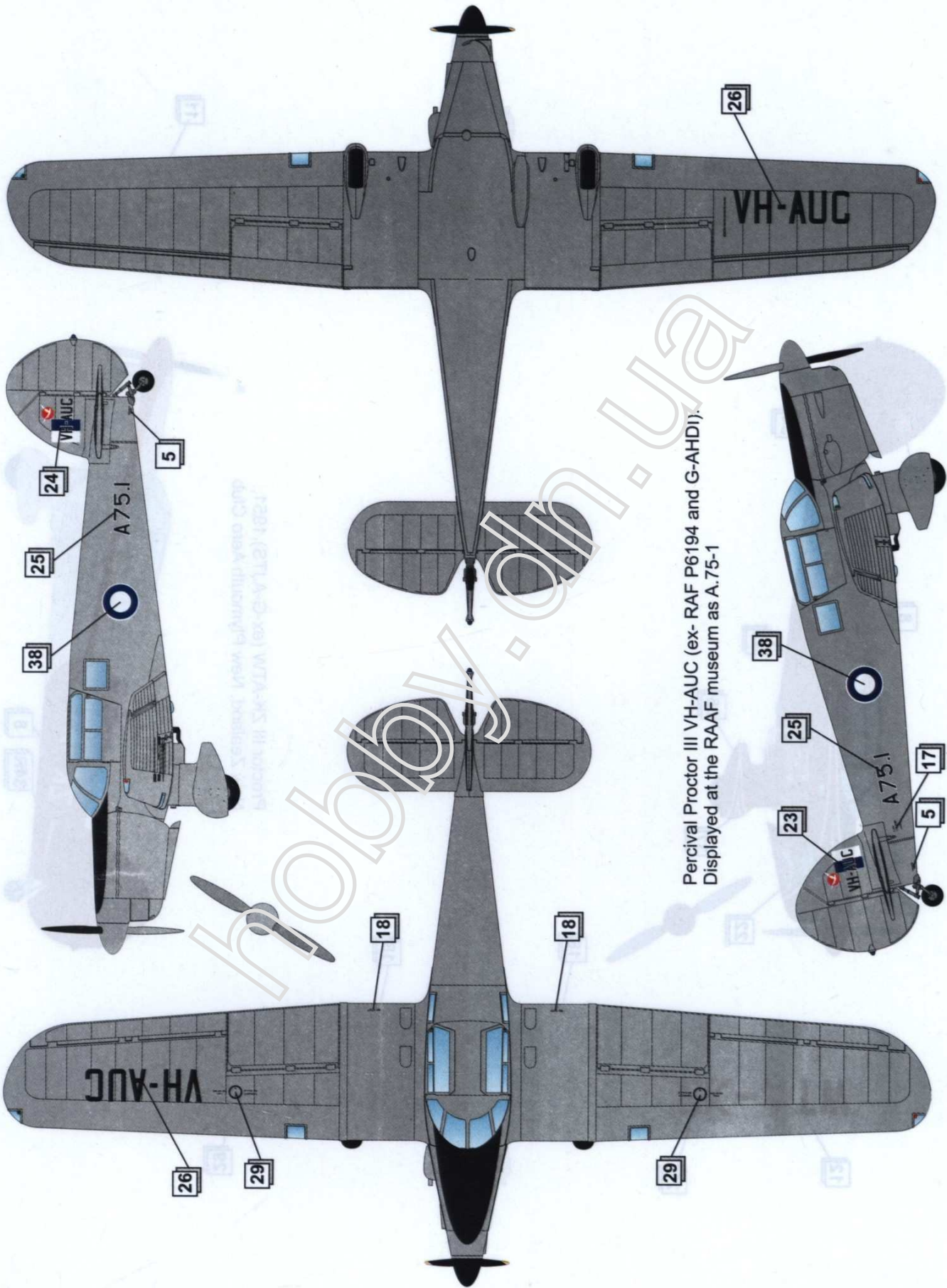
Percival Proctor III EC-AGT (ex- G-AJCZ). Spain, 1953



# COLOR SCHEME



Proctor III ZK-ATW (ex-G-AJTS), 1951,  
New Zealand, New Plymouth Aero Club



Земляки (58м) 61Августинський Центр  
 Історія III SK-VLM (ex-G-V 112) 1821

Percival Proctor III VH-AUC (ex-RAF P6194 and G-AHD1).  
 Displayed at the RAAF museum as A.75-1