



1/72 SCALE MODEL CONSTRUCTION KIT

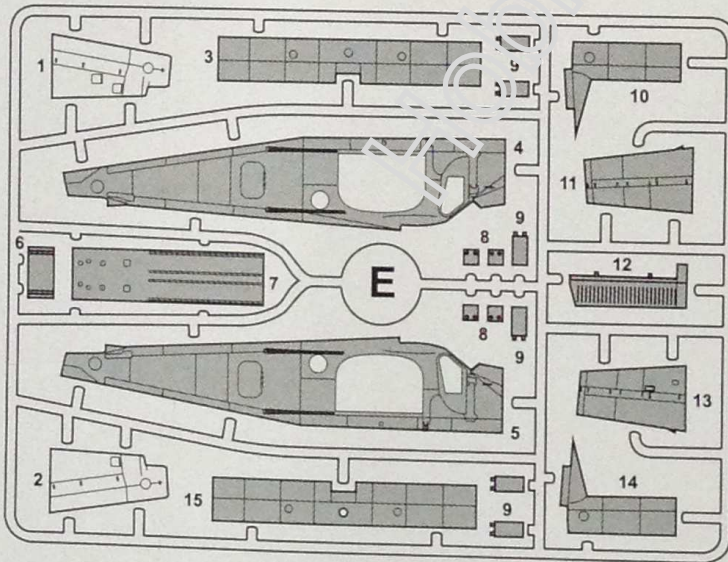
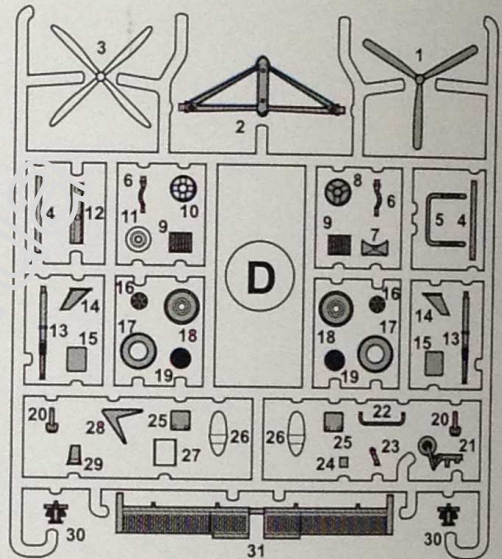
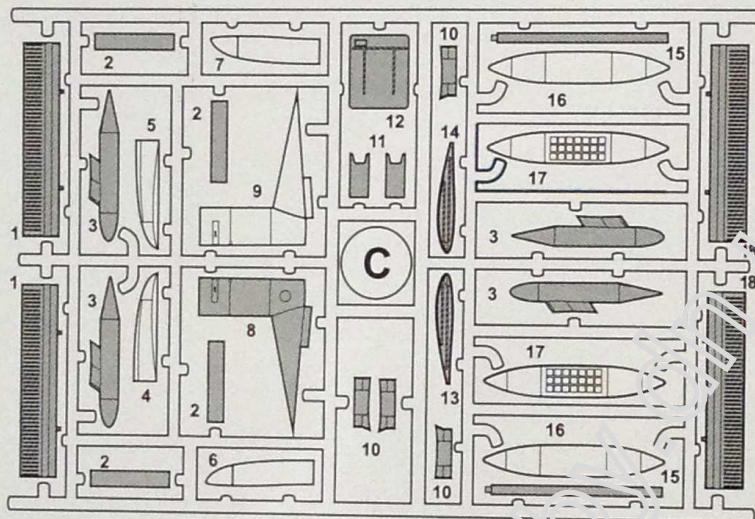
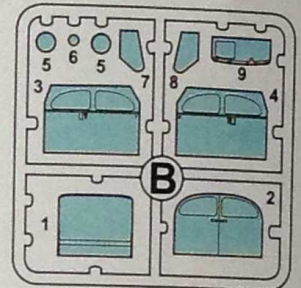
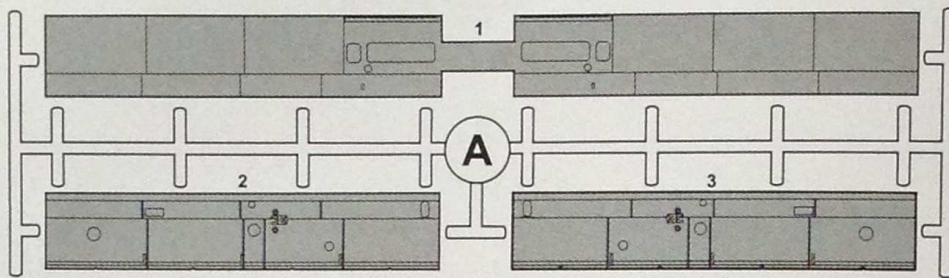


Fairchild AU-23 Peacemaker

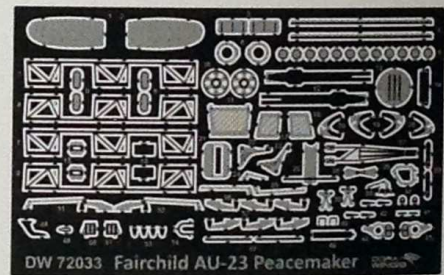
Hobby.com.ua

DW 72033

PARTS OF THE MODEL



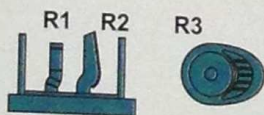
Pe



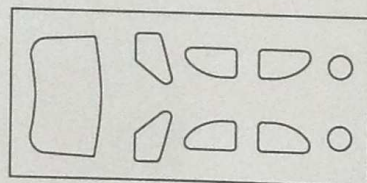
Decals



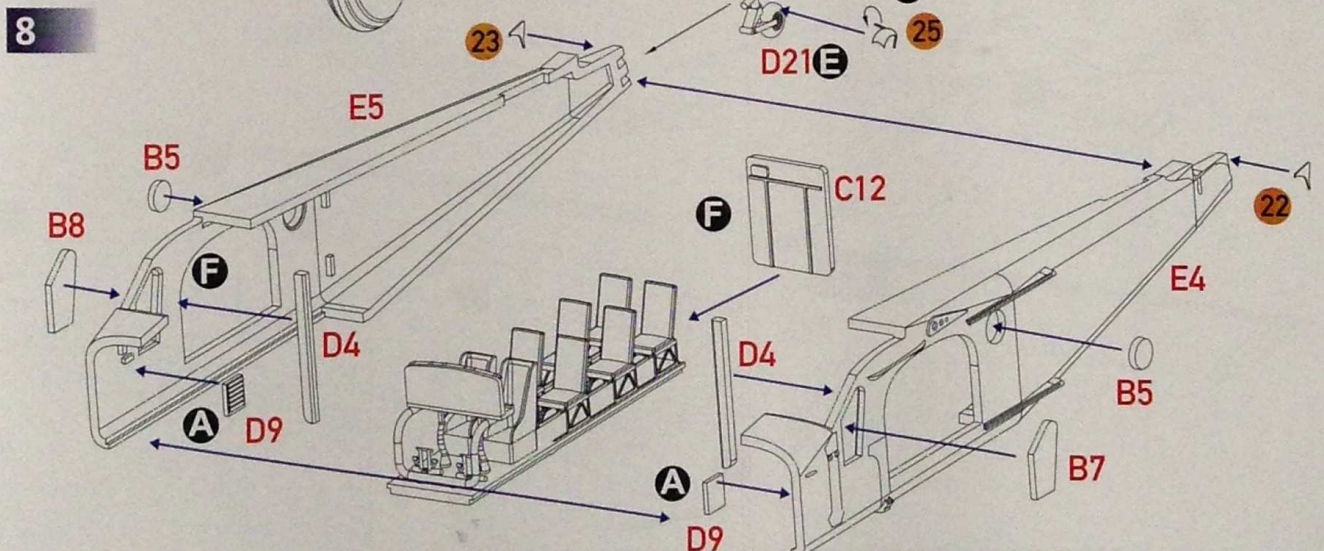
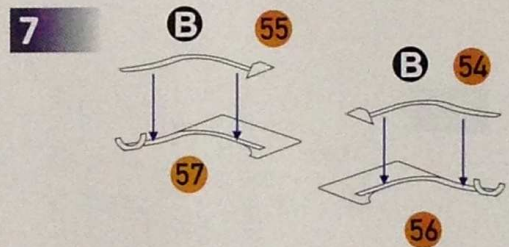
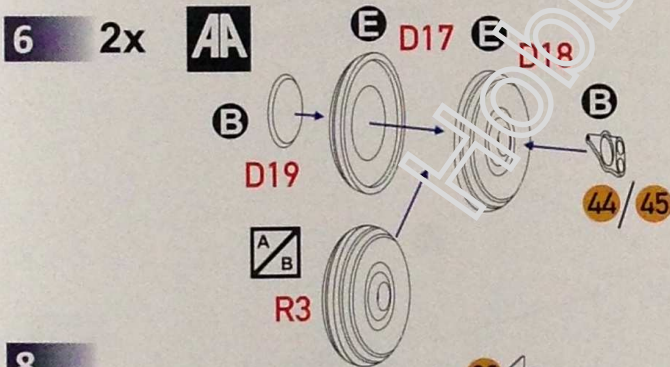
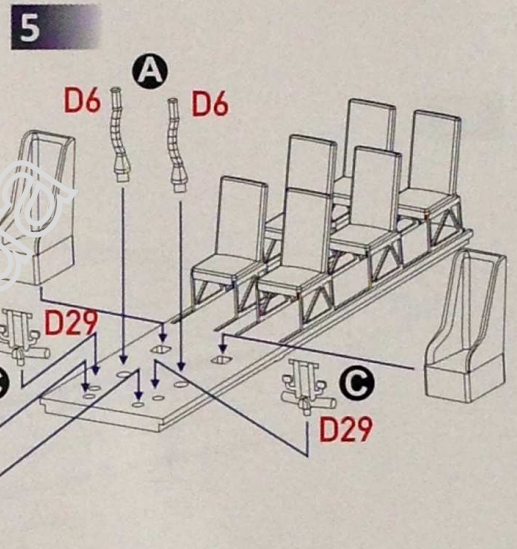
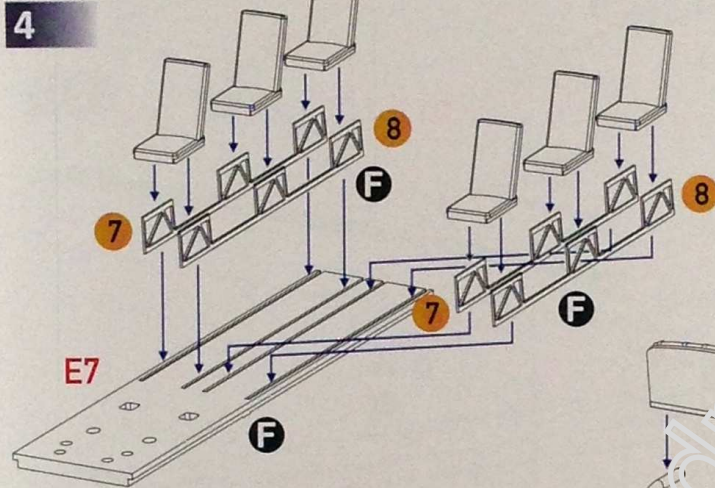
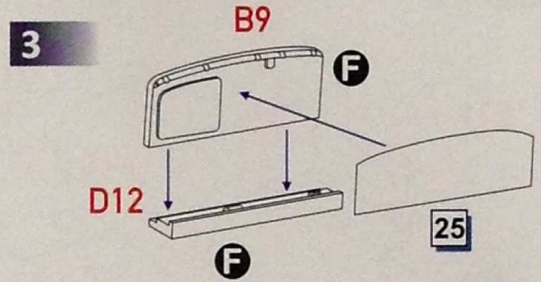
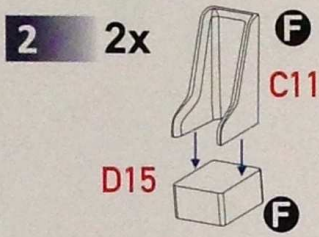
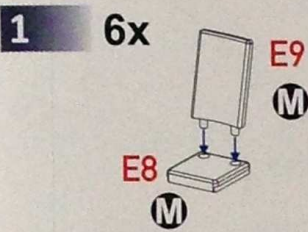
Resin



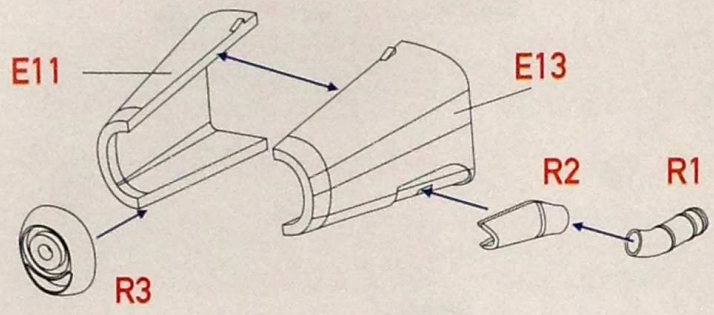
Masks



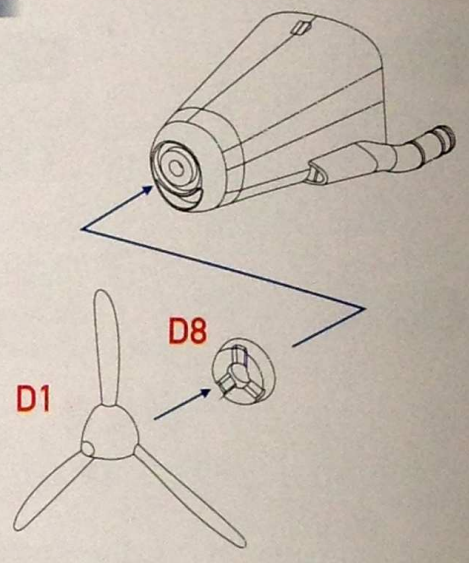
ASSEMBLY INSTRUCTION



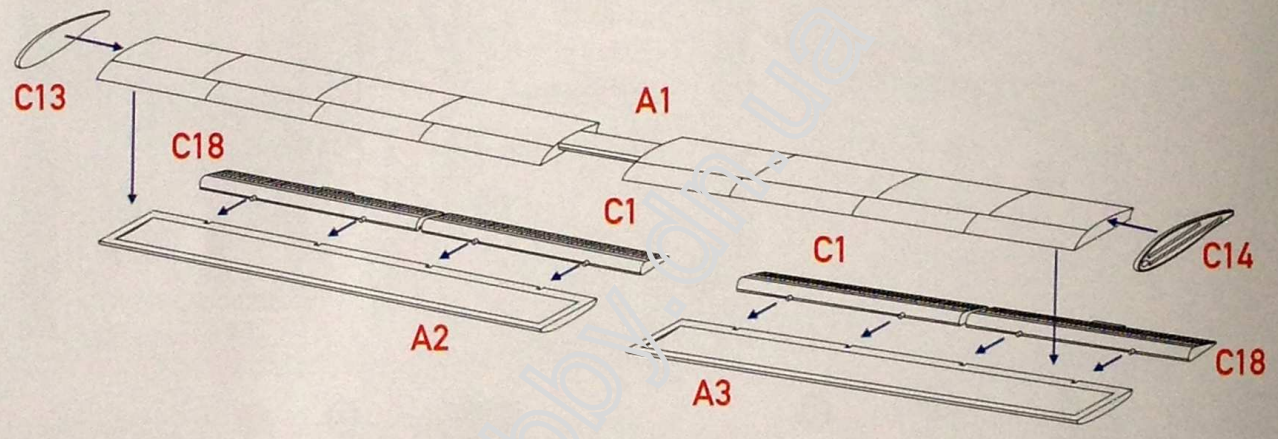
9



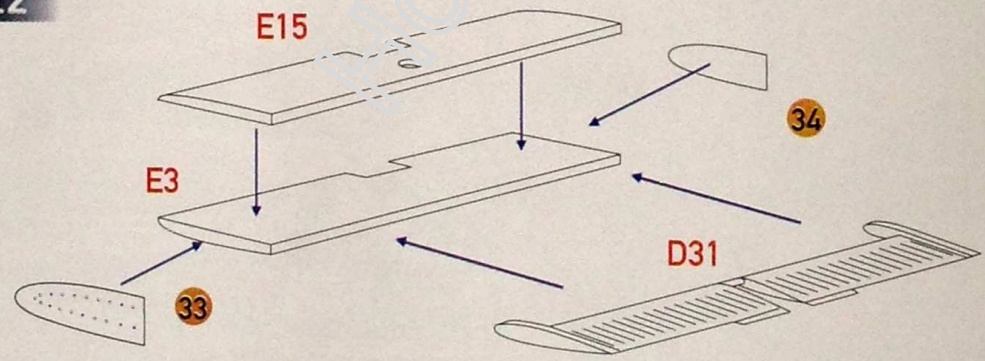
10



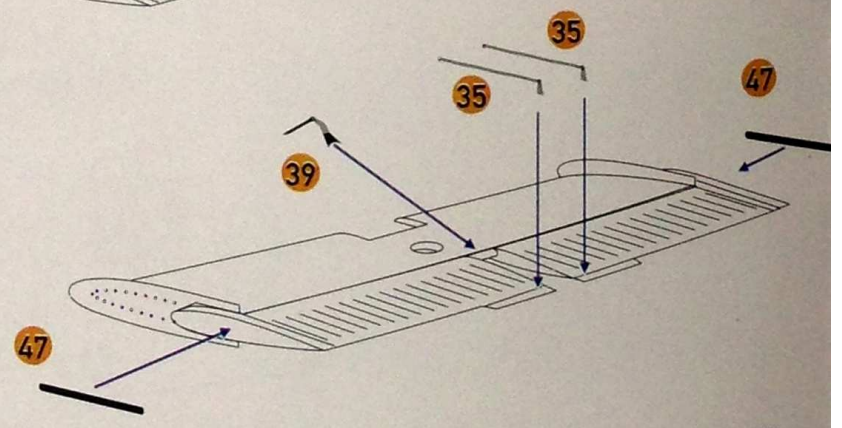
11



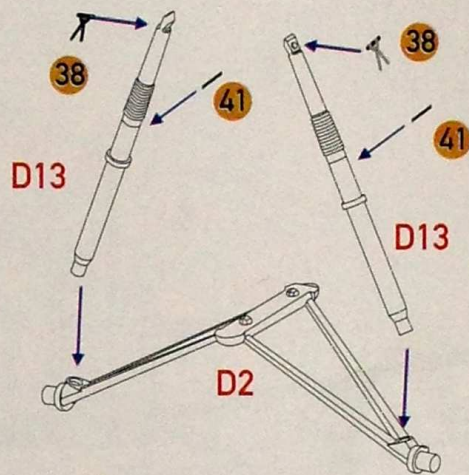
12



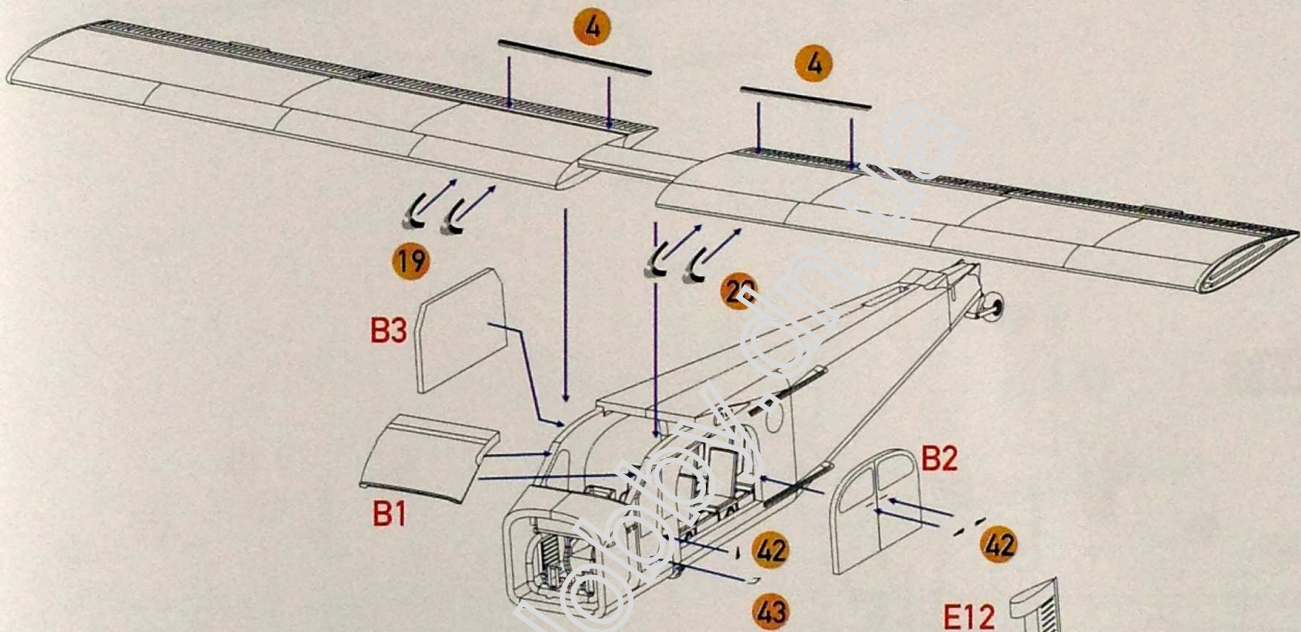
13



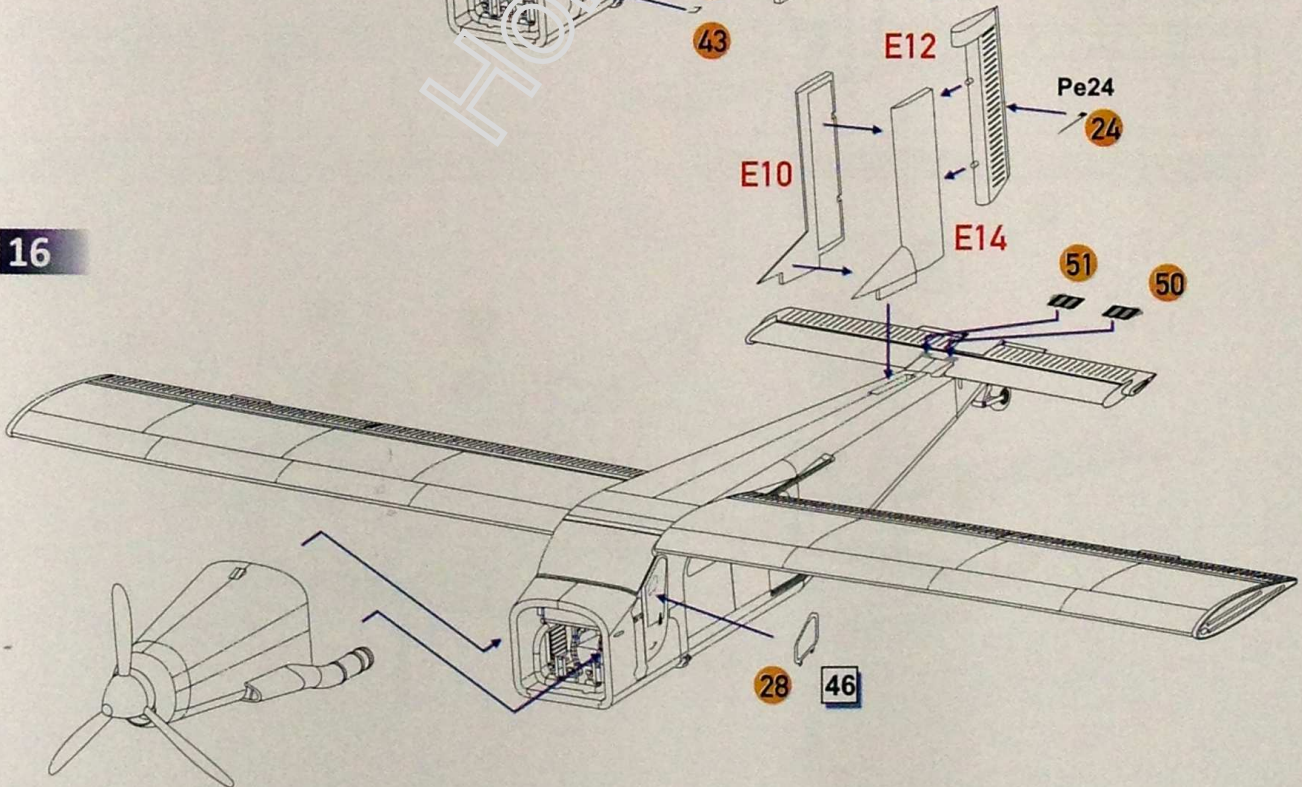
14



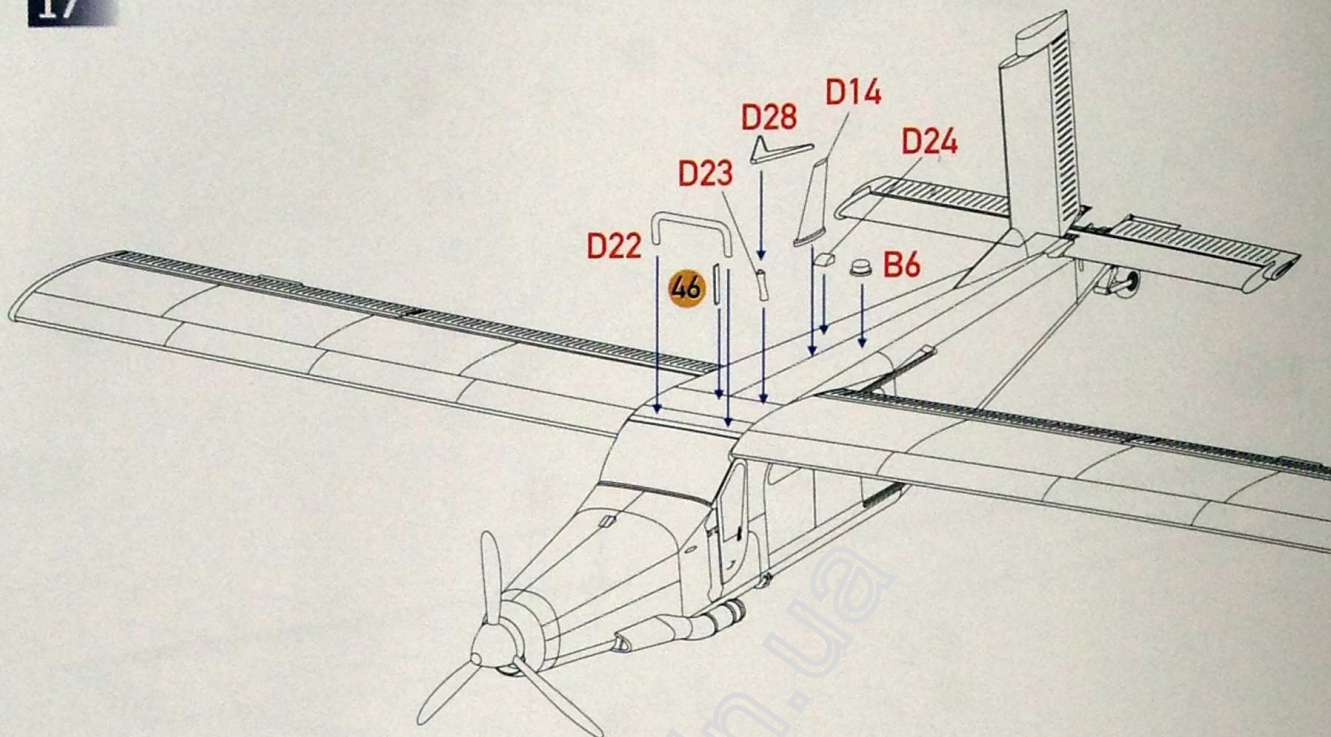
15



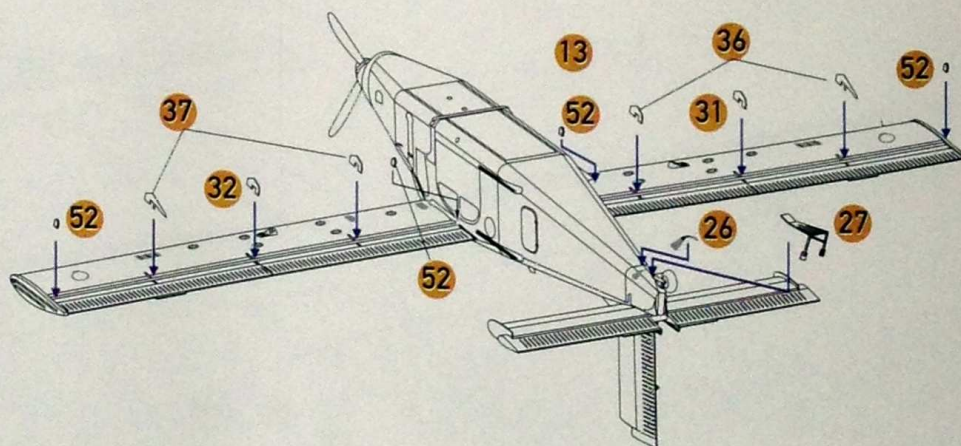
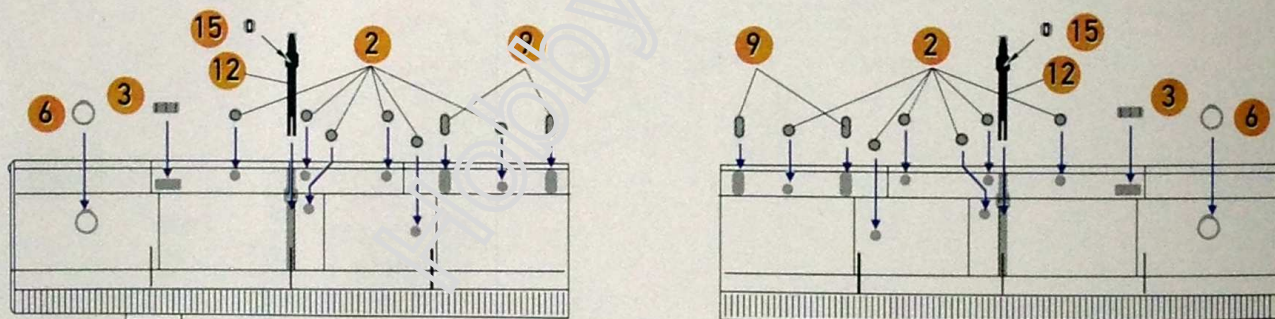
16



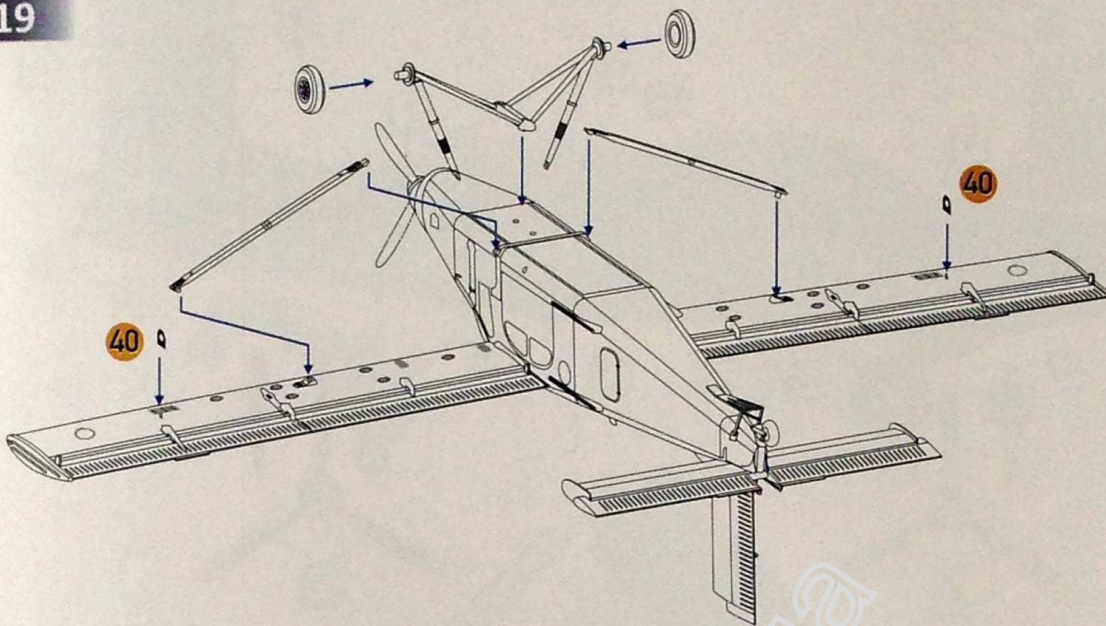
17



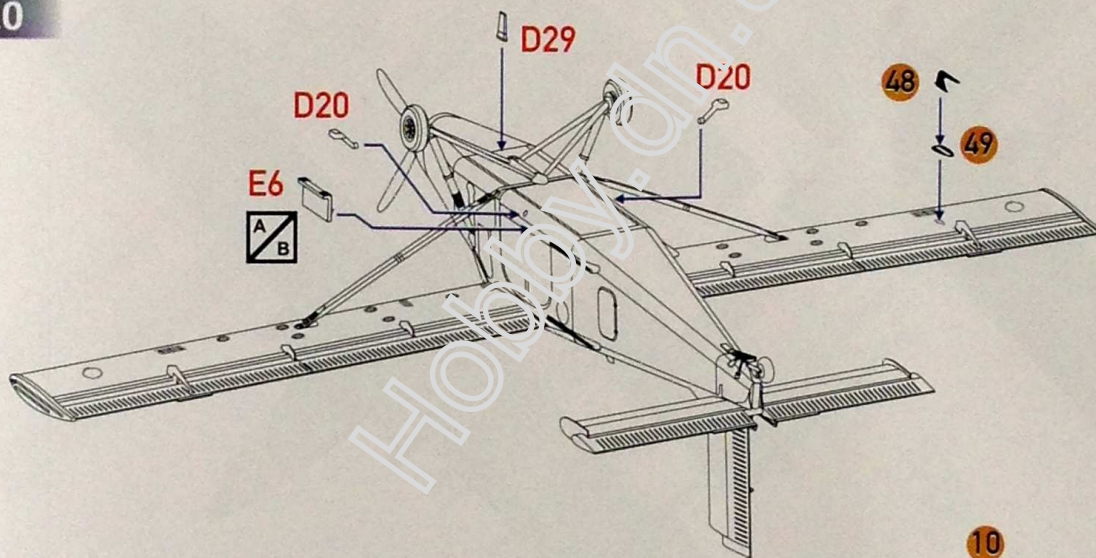
18



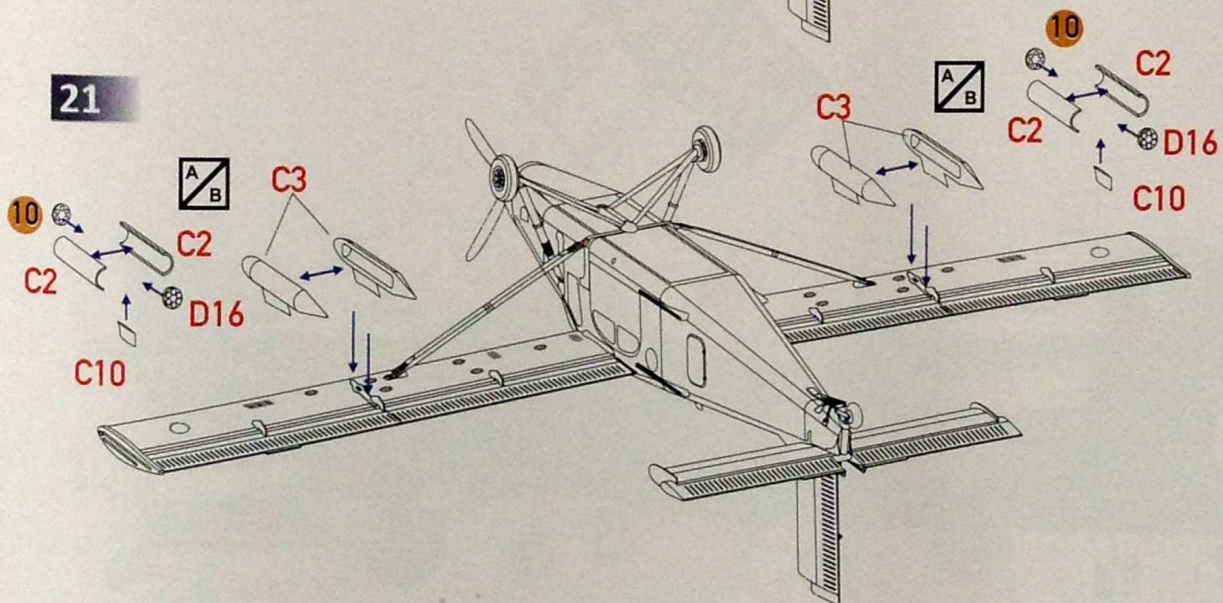
19



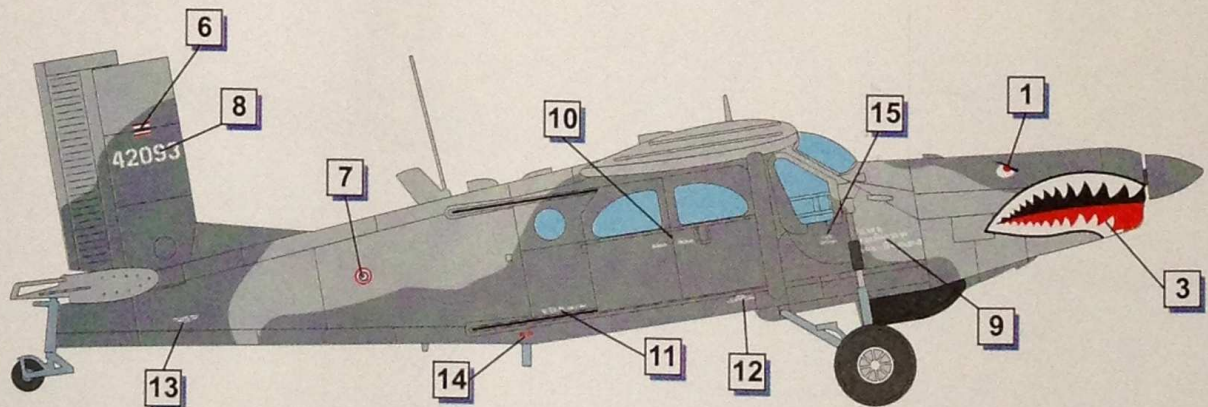
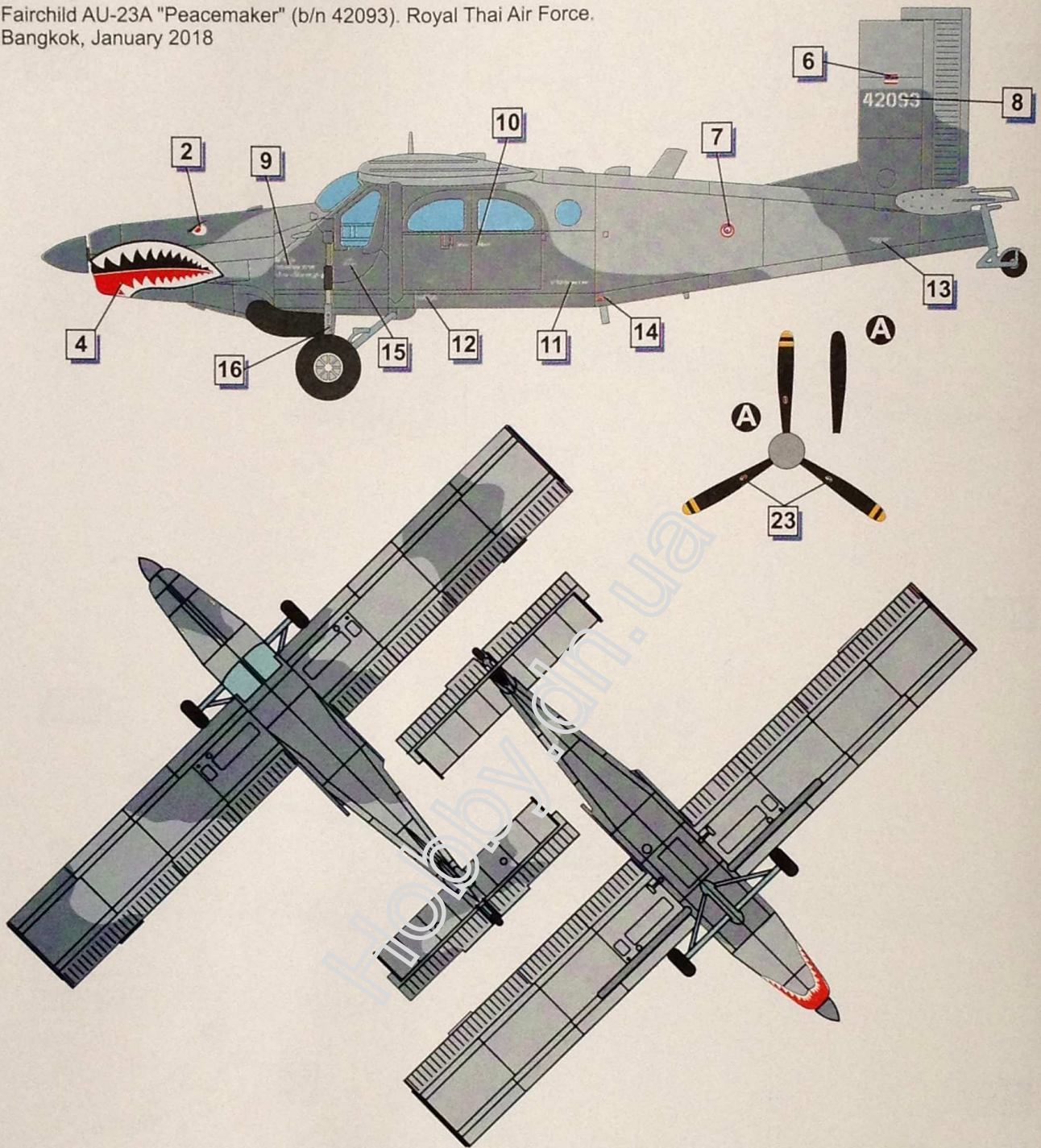
20



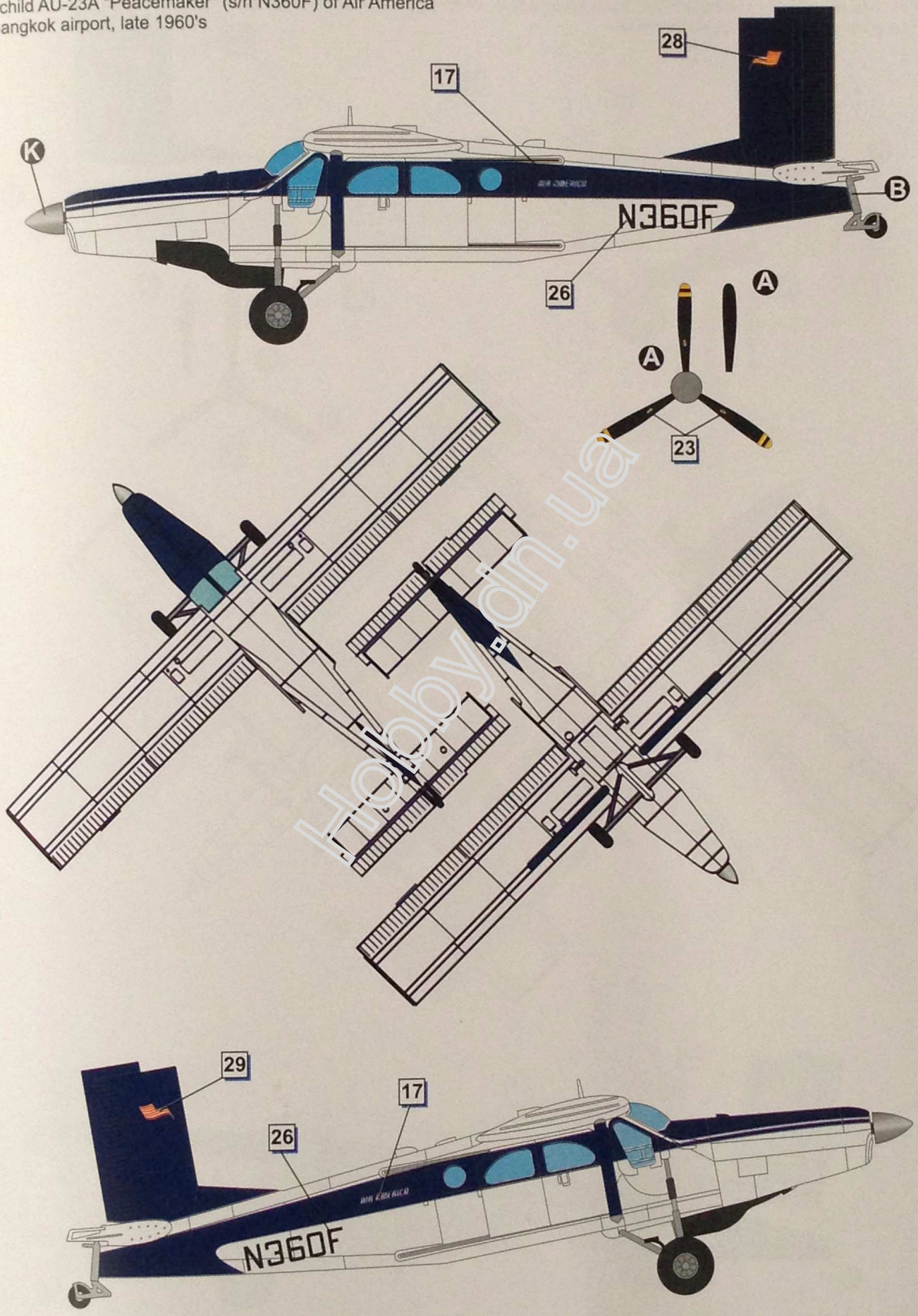
21



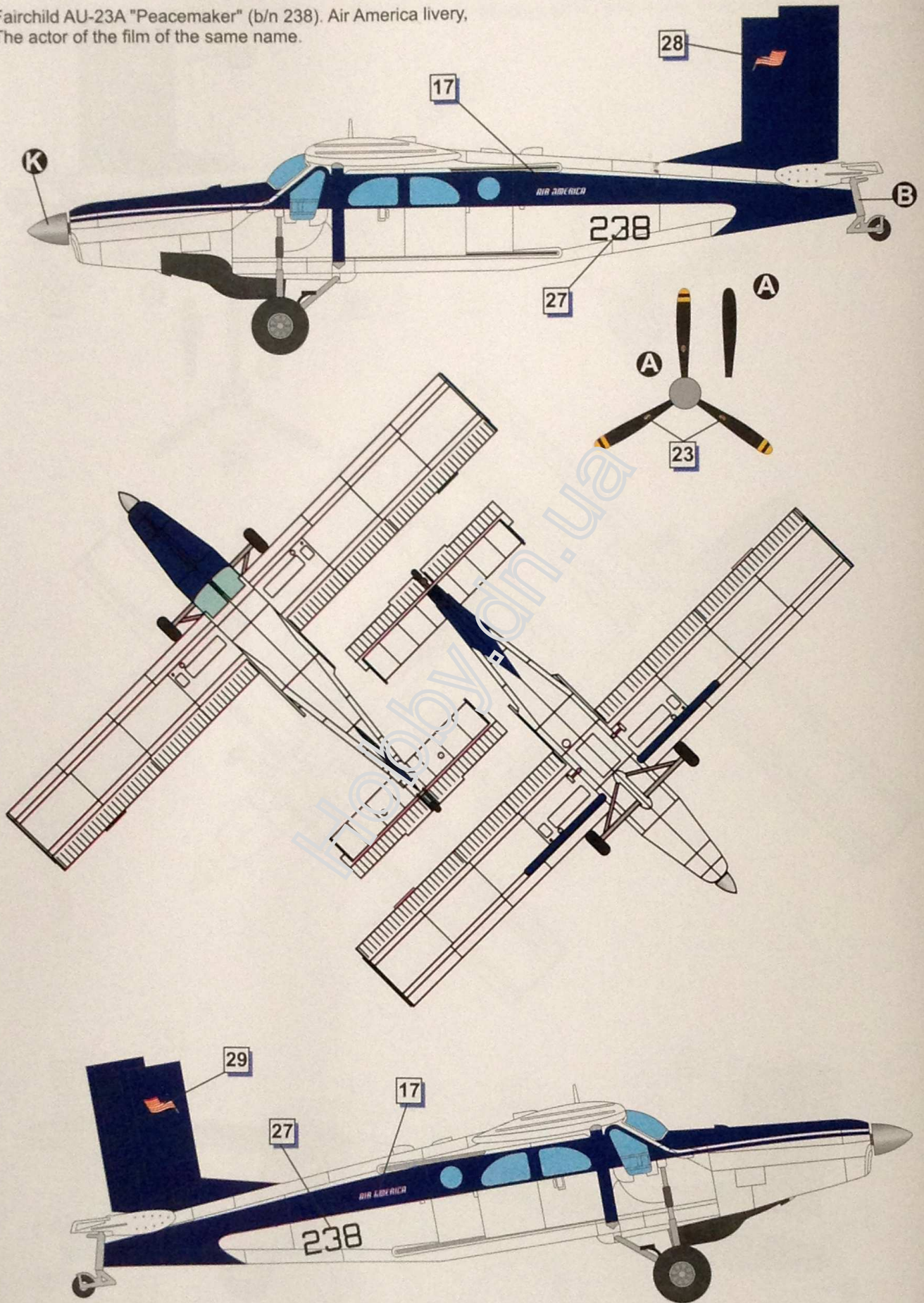
Fairchild AU-23A "Peacemaker" (b/n 42093). Royal Thai Air Force.
Bangkok, January 2018



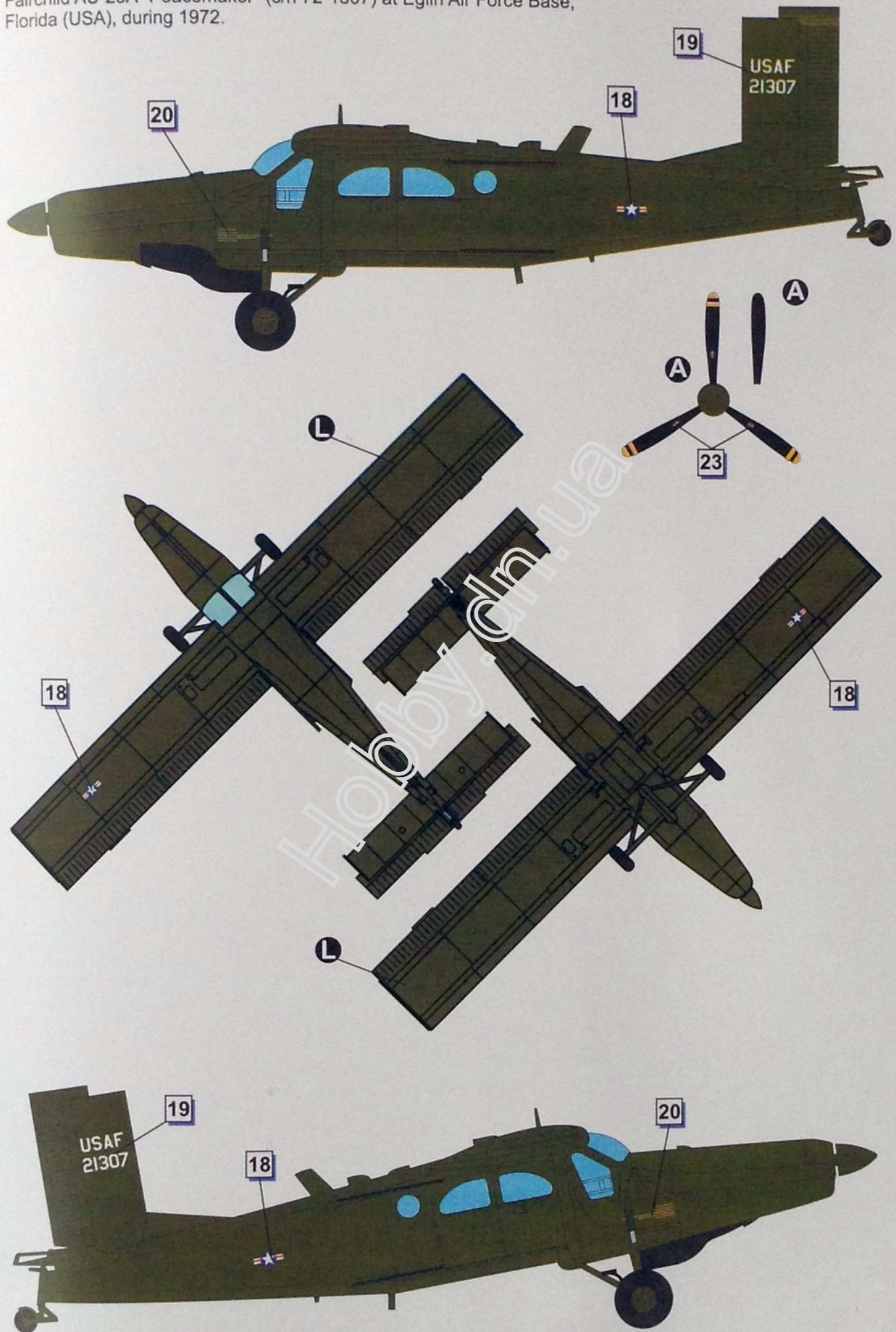
Fairchild AU-23A "Peacemaker" (s/n N360F) of Air America at Bangkok airport, late 1960's



Fairchild AU-23A "Peacemaker" (b/n 238). Air America livery.
The actor of the film of the same name.



Fairchild AU-23A "Peacemaker" (s/n 72-1307) at Eglin Air Force Base, Florida (USA), during 1972.



COLOR TABLE

Color Chart	MR. HOBBY	Tamiya	AMMO MIG	Hataka	LIFECOLOR
Black	A C33/H12	XF-1	MIG 046	HTK 100	LC 02
Silver	B C8/H8	X-32	MIG 195	HTK B003	LC 74
Aluminium	C MC 218	XF-16	MIG 194	HTK 078	LC 24
Gun Metal	D C78/H28	X-10	MIG 045	HTK 106	LC 26
Rubber Black	E C137/H77	XF-85	MIG 035		UA 733
Gray	F C13/H53		MIG 0239	HTK 033	UA 046
Yellow Chromat	G C352				
Clear Green	H C138/H94	XF-25	MIG 092		
Burn Iron	I C61/H76	XF-23	MIG 187		LC 37
Signal Red	J C79/H11	X-2	MIG 049	HTK-103	LC 56
Polished metal	K MC 211	XF-56	MIG 0192		
Olive Drab	L C38/H78	XF-62	MIG 0237	HTK 004	UA 005
Khaki	M H80/H11(70-81)			C 084	UA 142
Clear Red	N C47/H90	XF-27	MIG 093		
White	O C62/H11	XF-2	MIG 0047	HTK 101	LC 01
Engine Gray	P C339/H339	XF-2	MIG 0908	HTK 030	UA 030
Yellow	R C329/H329	X-8		HTK 107	

USED SYMBOLS



CEMENT



DON'T CEMENT



REMOVE



SYMMETRICAL



MULTIPLE



BEND



OPEN WHOLE



VARIANTS



TO PAINT