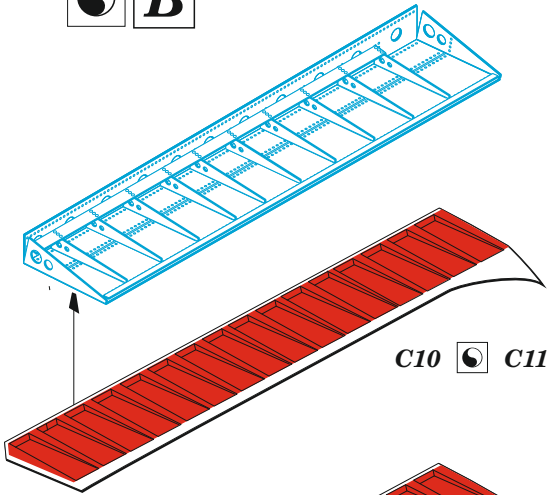
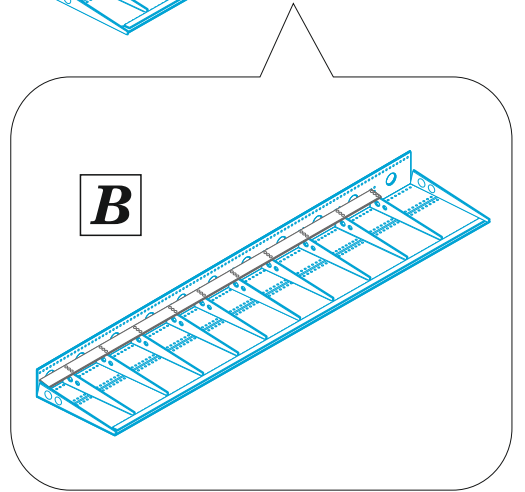
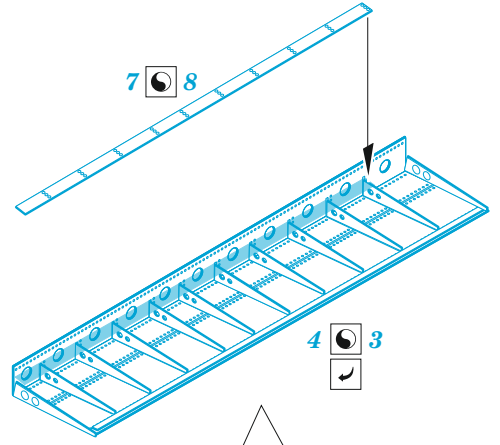
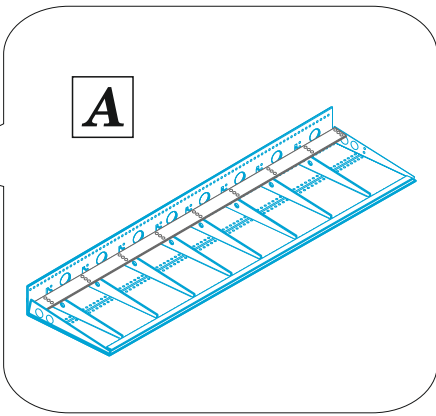
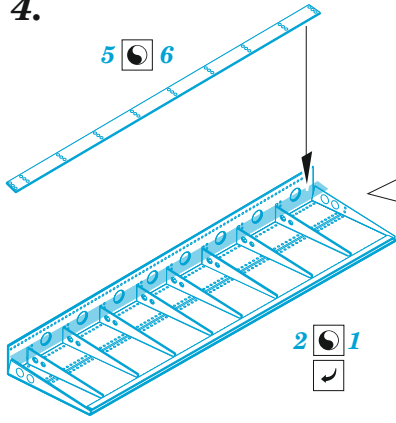
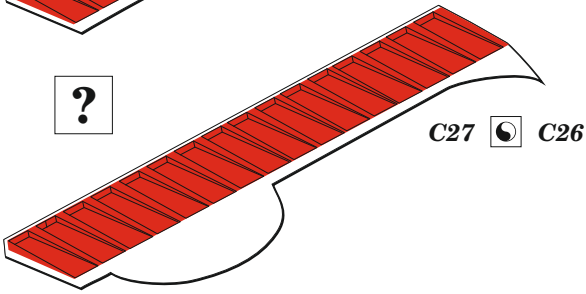


4.



C10 □ C11



C27 □ C26



B7,B8 □ B3,B4

