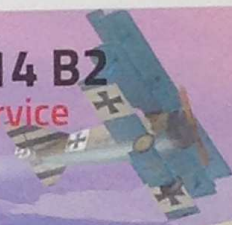


Fly



# Breguet 14 B2

French service

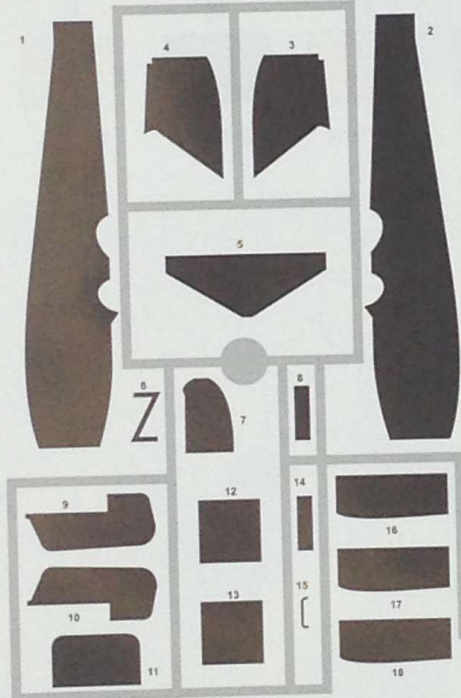


Capitulos ALONSO 2023

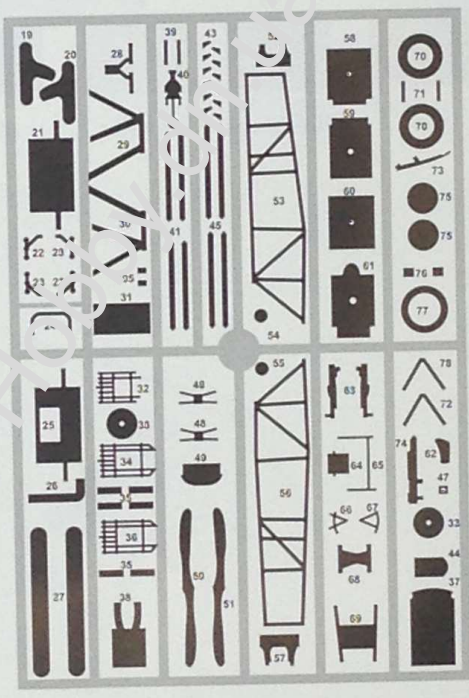
1/48

Plastic model kit  
Plastik-Modellbausatz  
Plastikový model

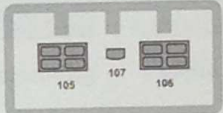
48037



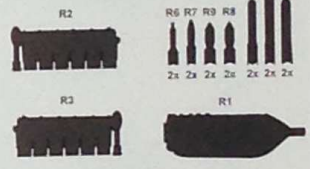
plastic parts



clear parts



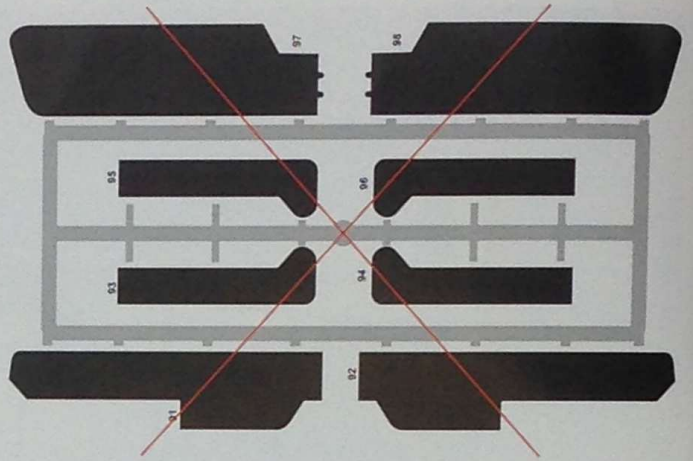
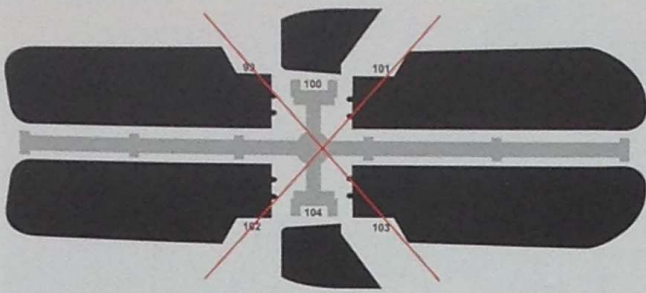
PUR parts



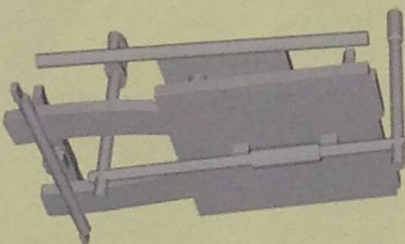
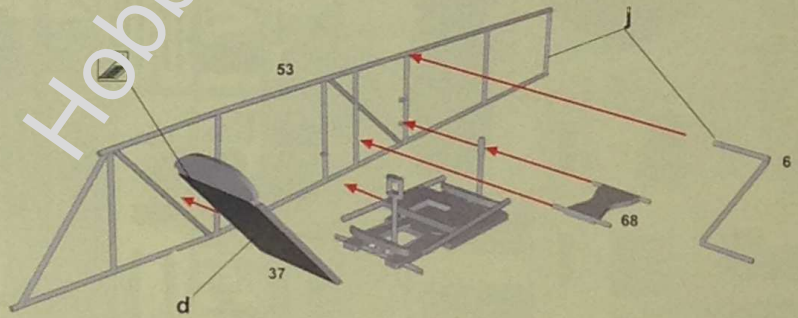
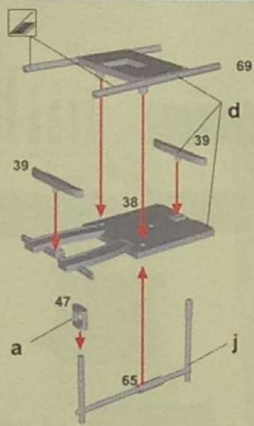
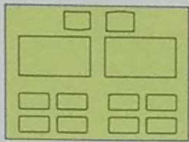
PE parts

Legend

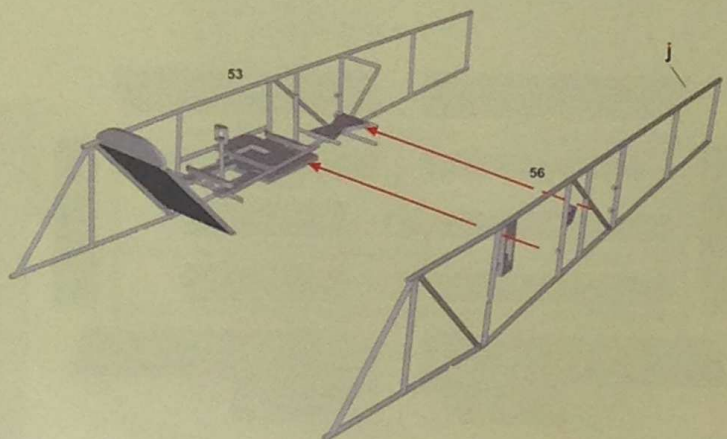
	SYMMETRICAL ASSEMBLY SYMETRICKÁ MONTÁŽ		OPTION VOLBA
	REMOVE ODSTRANIT		DECAL OBTISK
	GRIND OBROUSIT		COLOR BARVIT
	DRILL HOLE VRTAT OTVOR		ENGRAVE VYRÝT
	BEND OHNOUT		

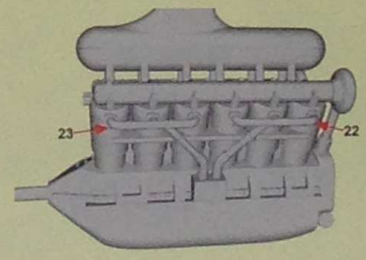
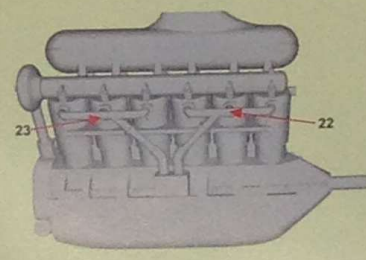
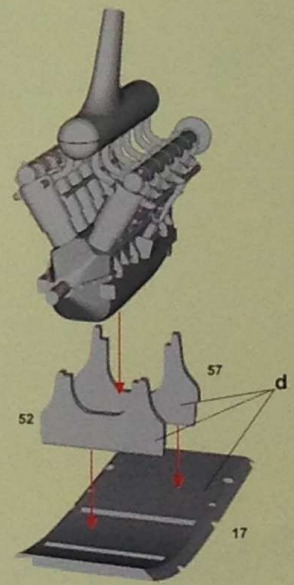
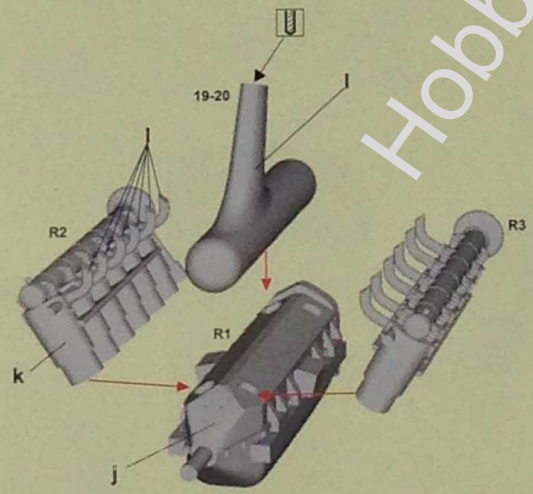
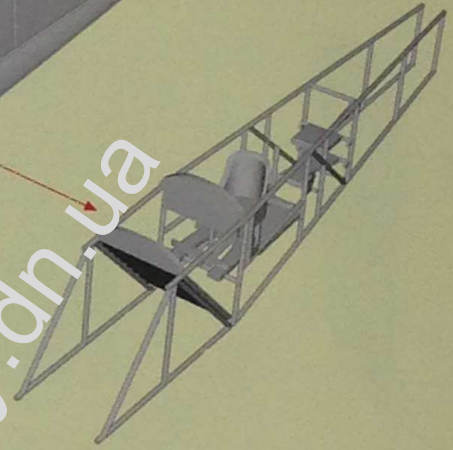
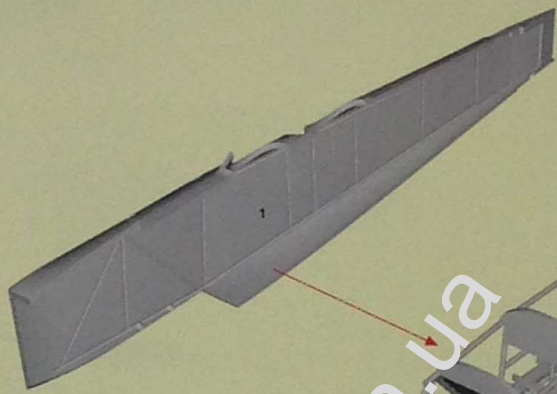
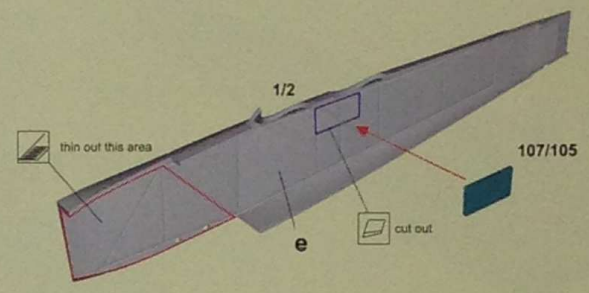
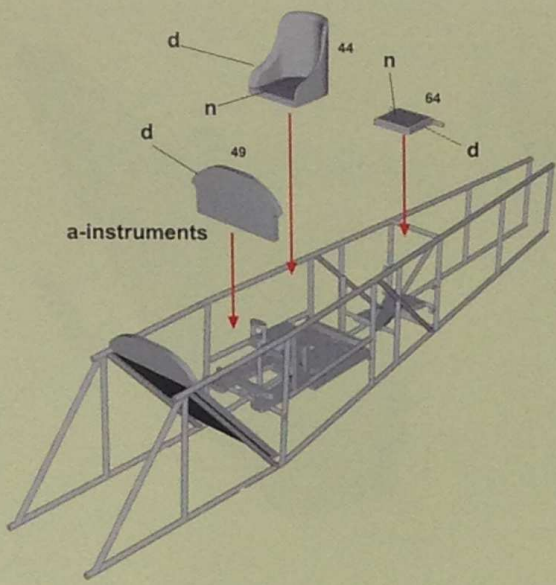


mask

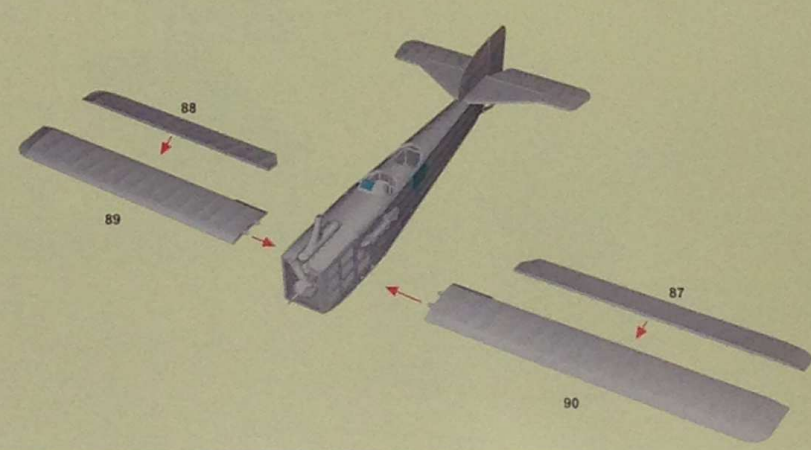
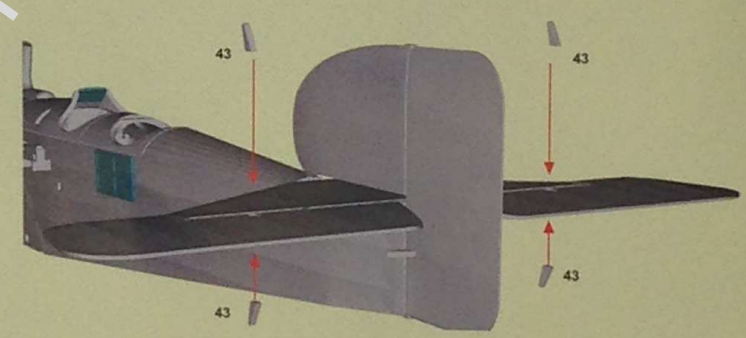
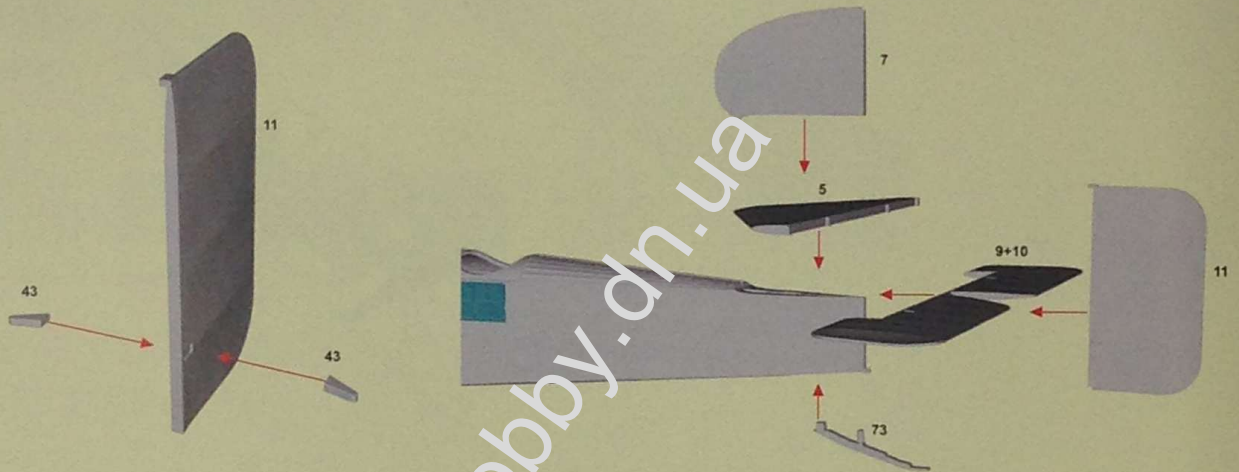
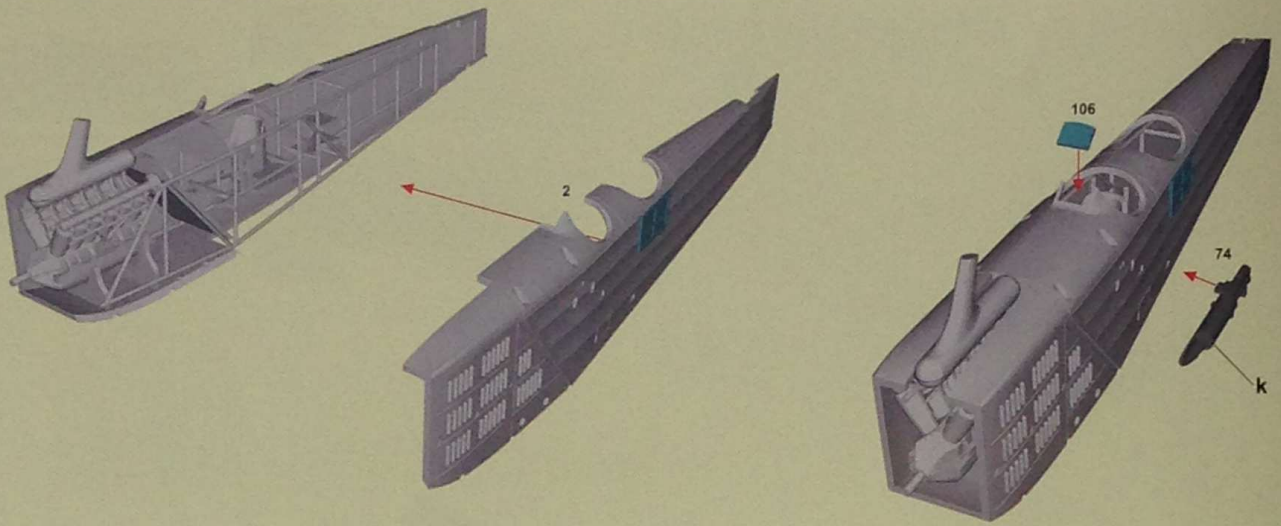


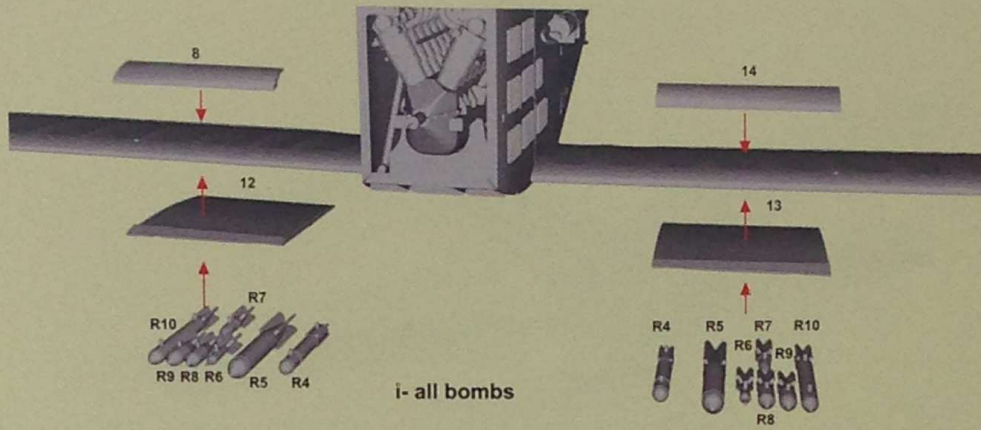
bottom view



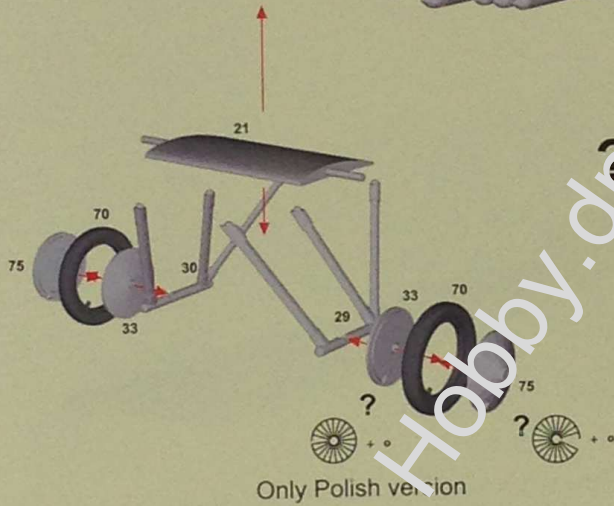


Hobby.dn.ua

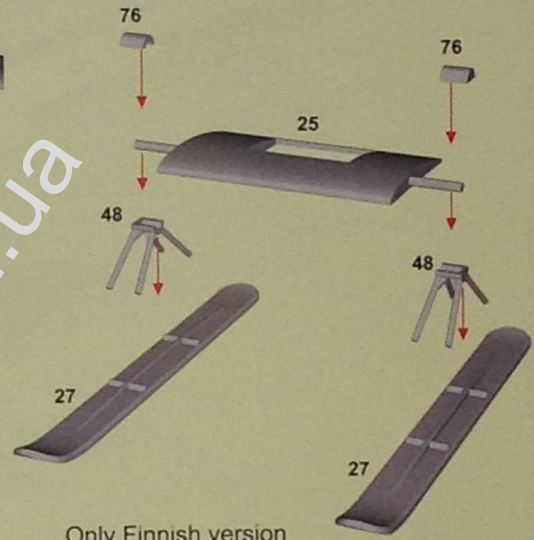




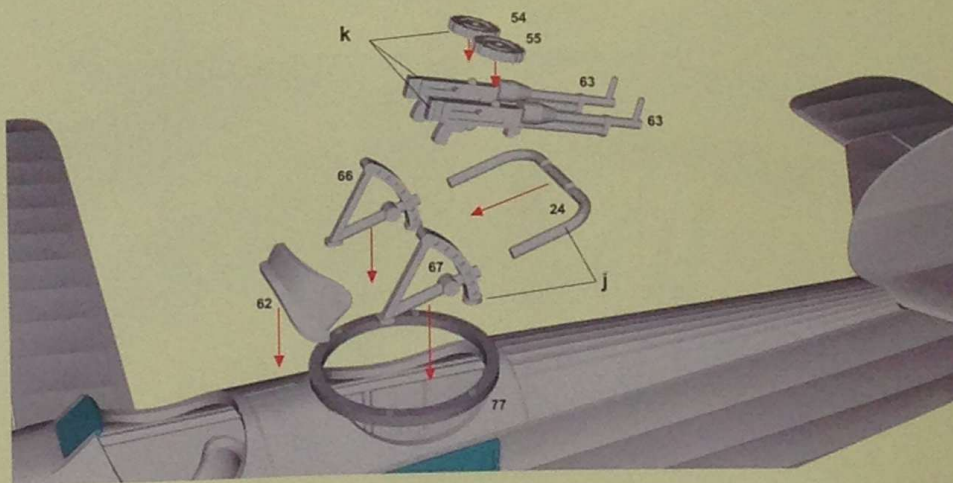
i- all bombs

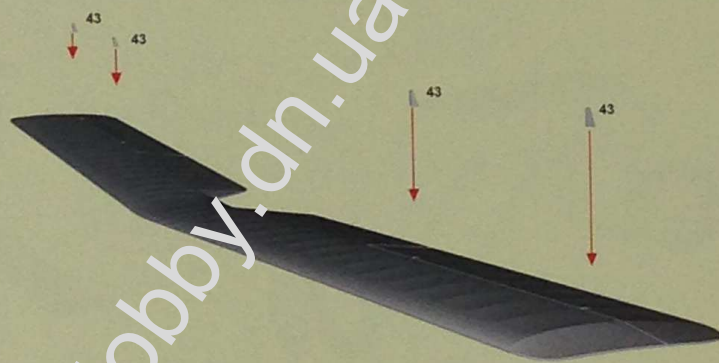
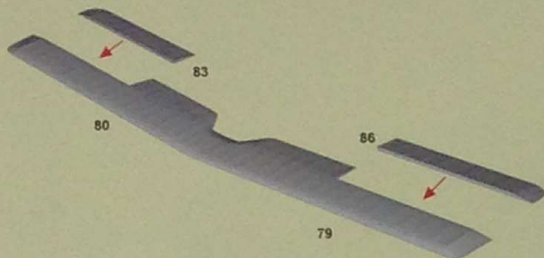
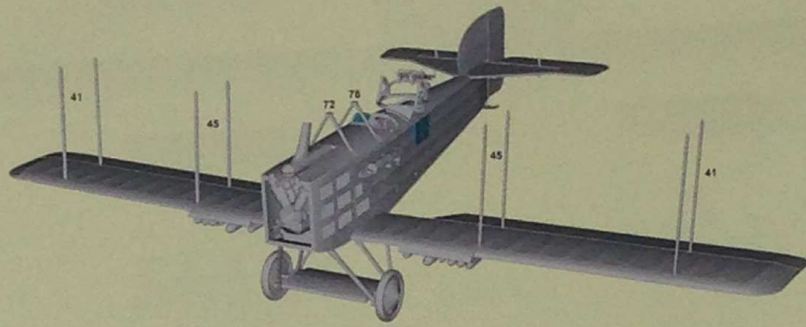


Only Polish version



Only Finnish version

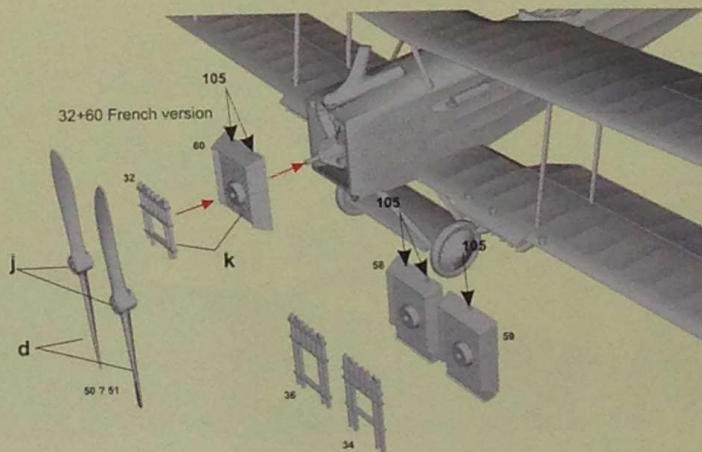


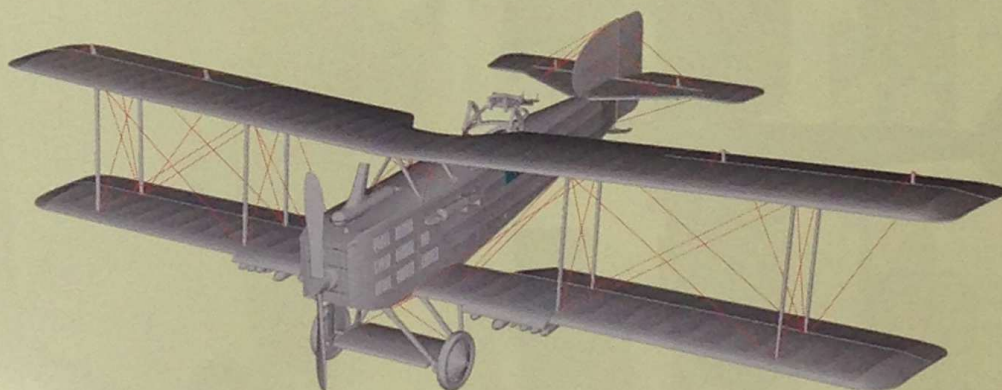
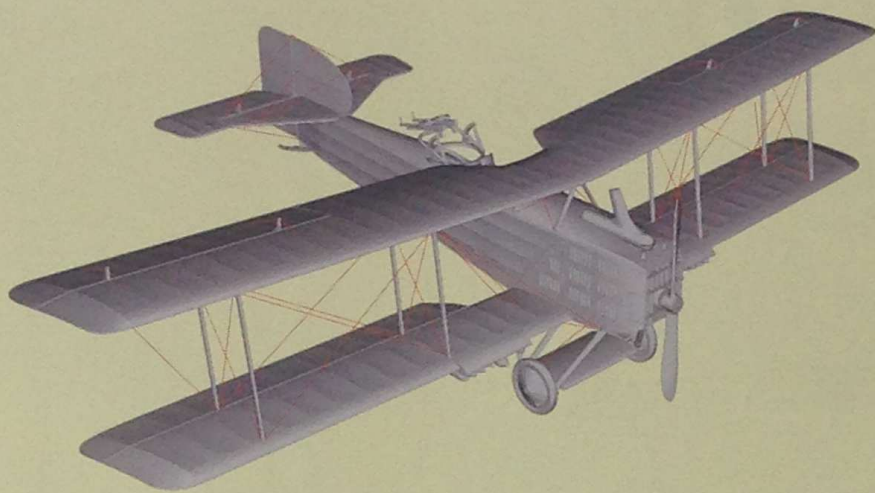


Hobby.dn.ua

Uplift of the upper wing  
Vzepětí horního křídla

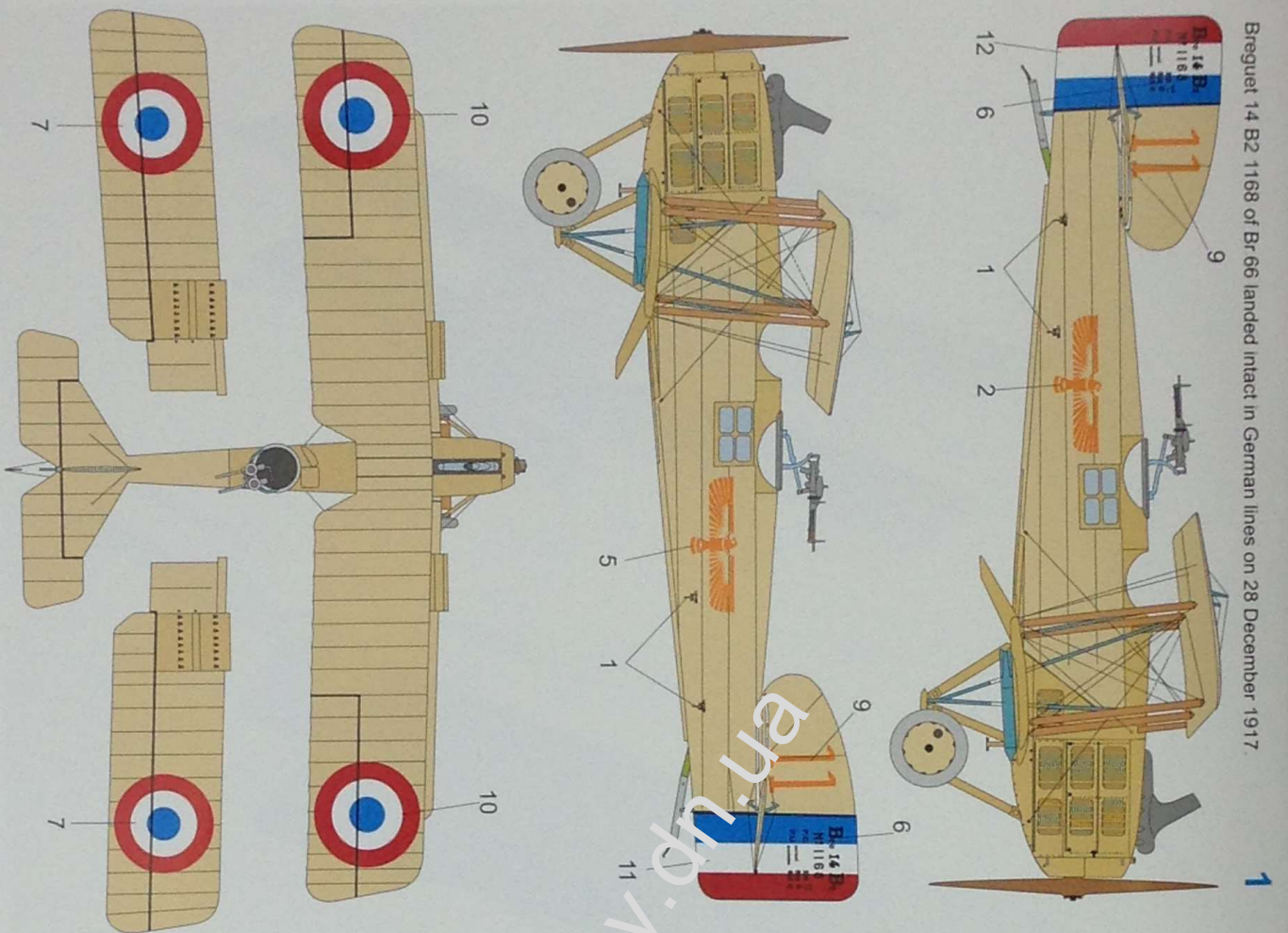
4,5 mm  $\updownarrow$  4,5 mm



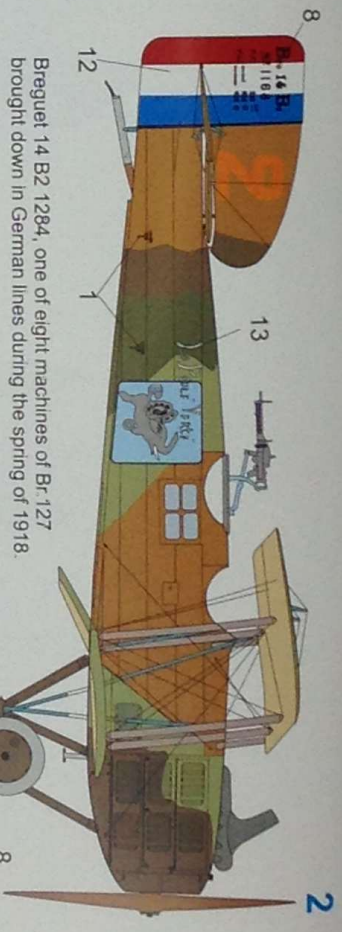


The knitting scheme is the same for all version.  
Schéma výpletu je pro všechny verze stejné.

Breguet 14 B2 1168 of Br 66 landed intact in German lines on 28 December 1917.

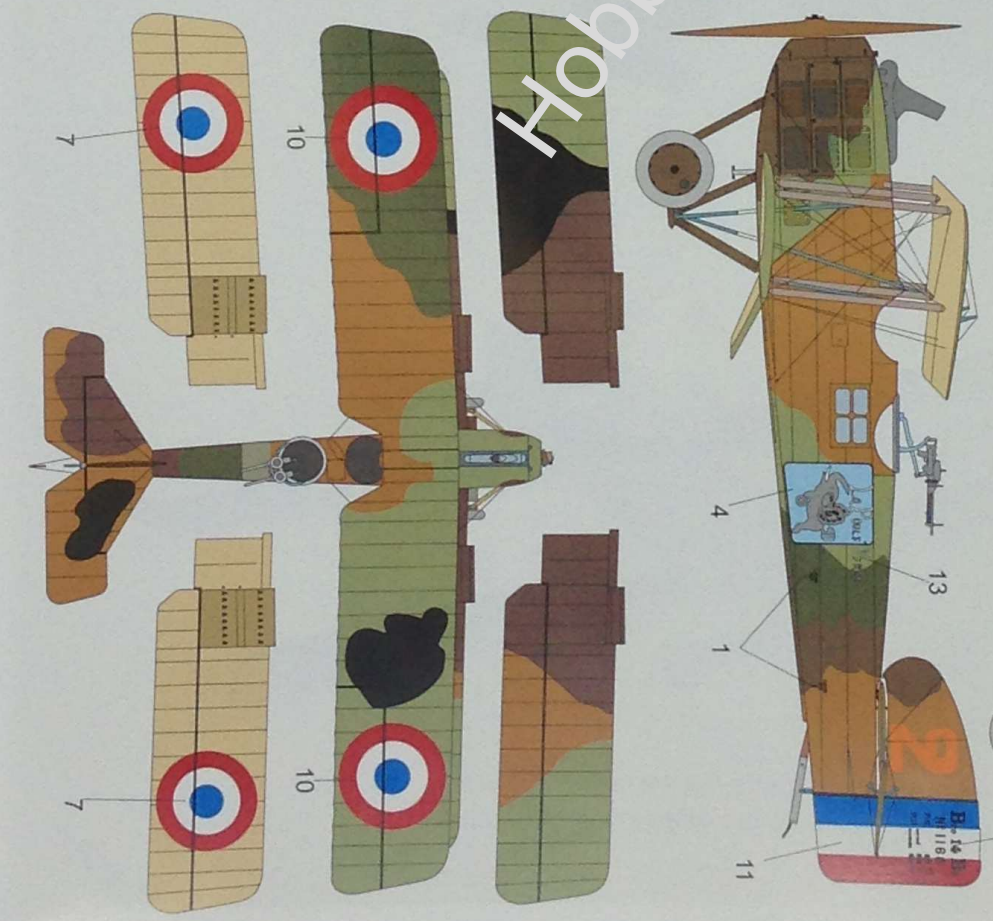


1



2

Breguet 14 B2 1284, one of eight machines of Br. 127 brought down in German lines during the spring of 1918.



HOBBY