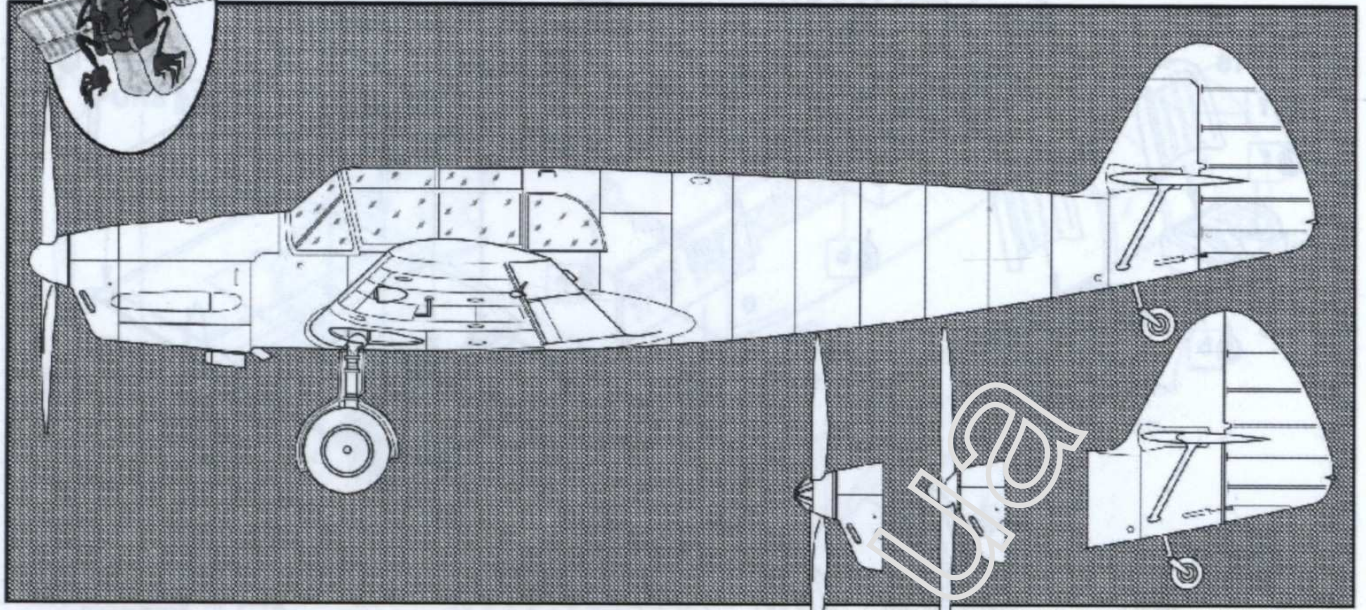


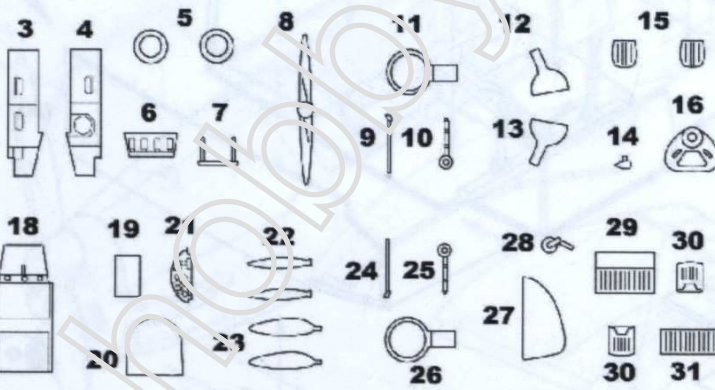
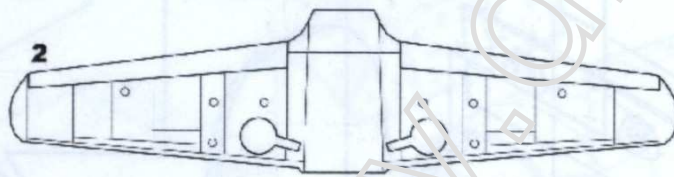


FLY

1/72 scale

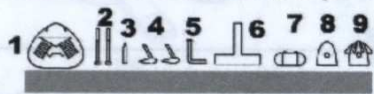


Messerschmitt Bf 108 Taifun



- a) ČERNÁ/BLACK
- b) RLM02
- c) KOVOVÁ/METAL
- d) PNEU /TYRE BLACK
- e) HLINÍKOVÁ /ALUMINIUM
- f) KŮŽE/LEATHER
- g) CROMOVÁ /CHROME
- h) REZAVÁ/RUST

POLYURETHAN PARTS (PUR)



CLEAR PARTS (CP)



ODSTRANIT
REMOVE



OHNOUT
BEND



VRTAT
OPEN HOLE



VYROBIT
SCRATCH BUILD



BARVA
COLOR



SYMETRICKÁ
MONTÁŽ
SYMETRICAL
ASSEMBLY



VOLBA
OPTION

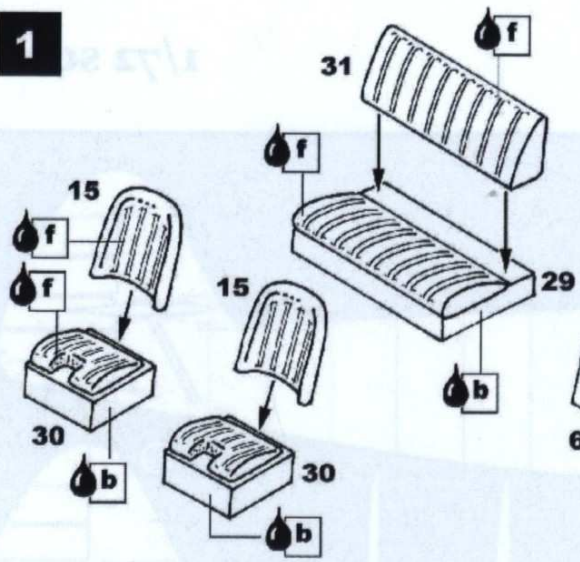


VTERINOVÉ
LEPIDLO
CYANOACRYLATE
GLUE

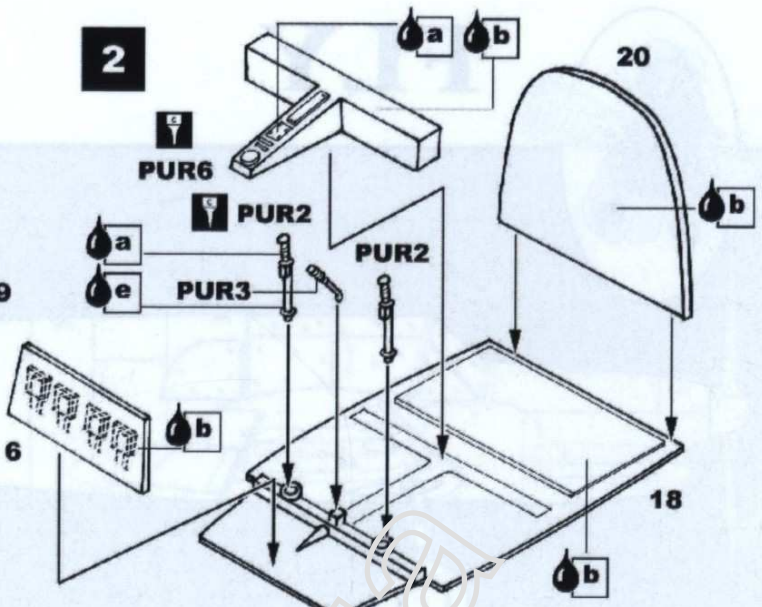


TMEL
PUTTY

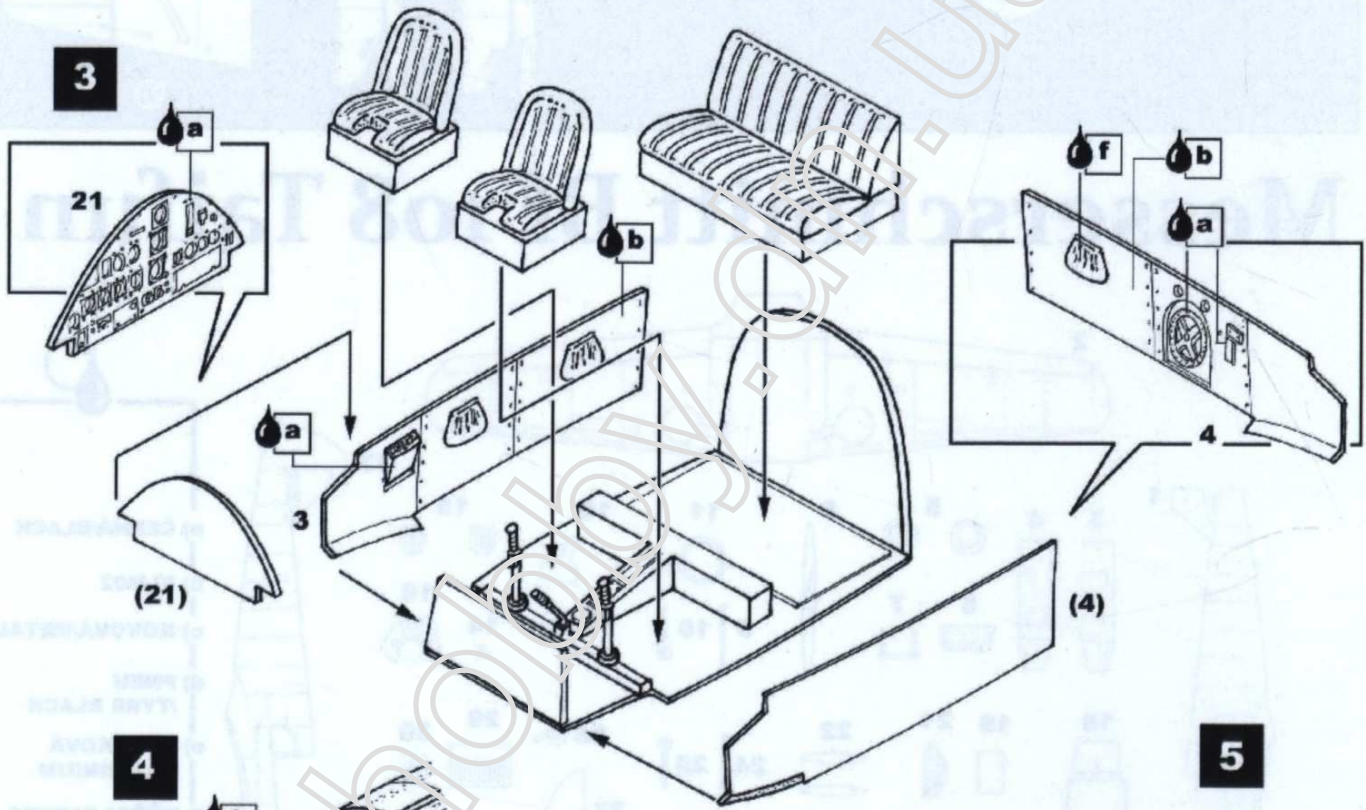
1



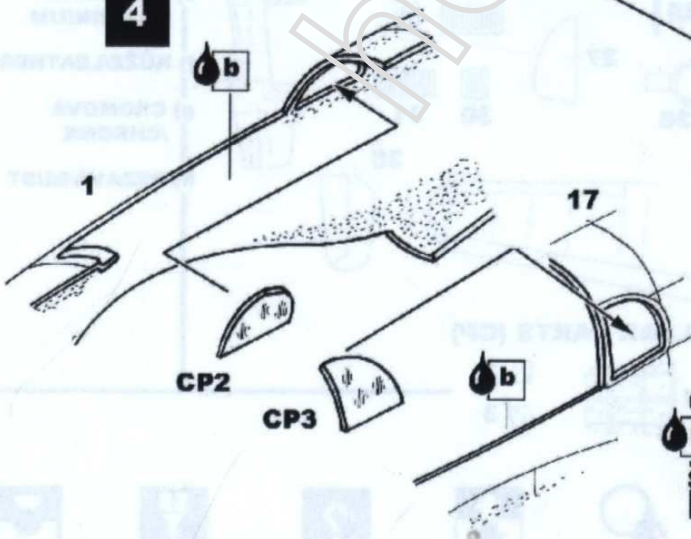
2



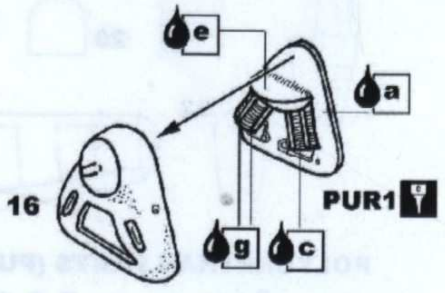
3



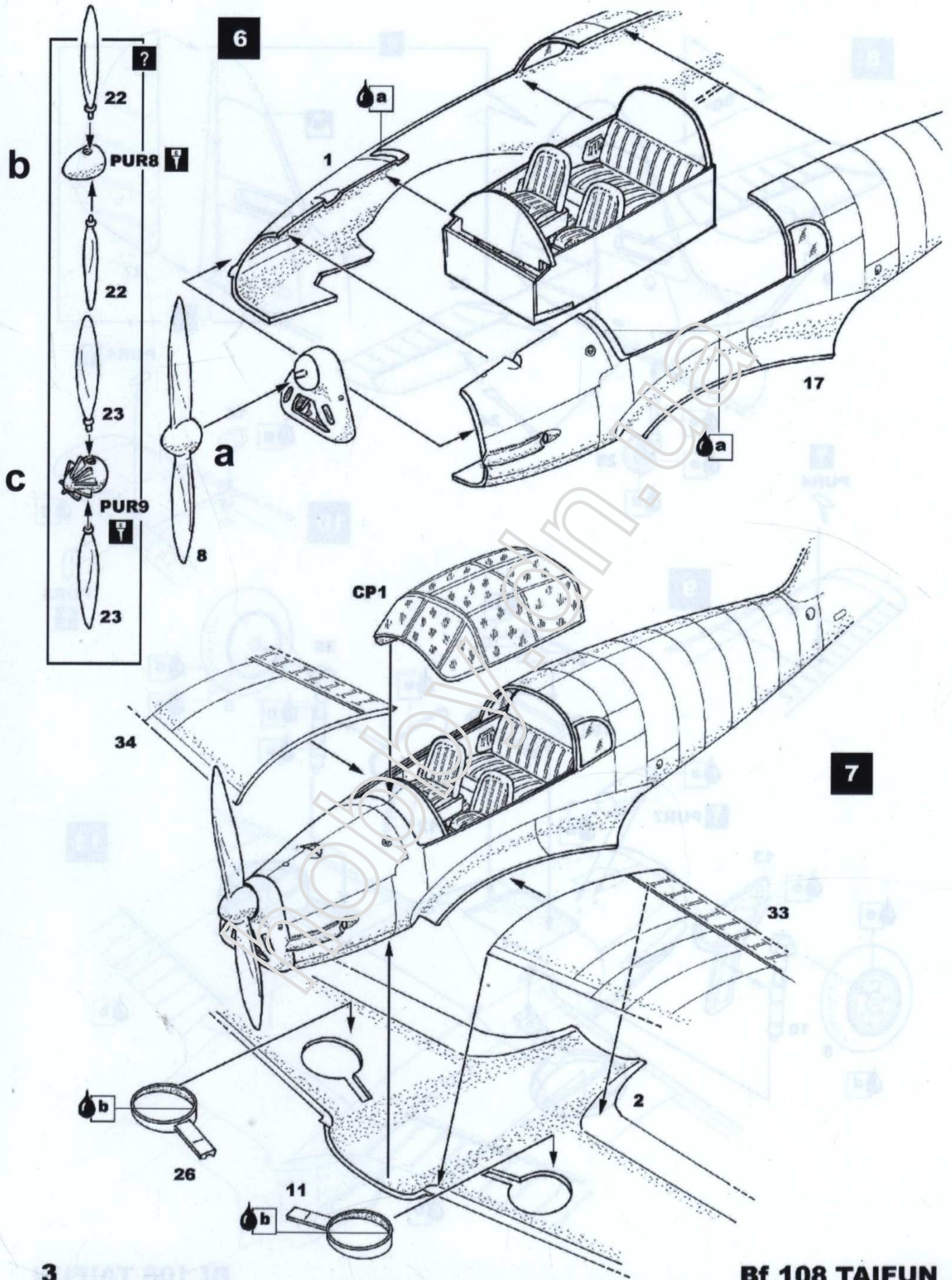
4

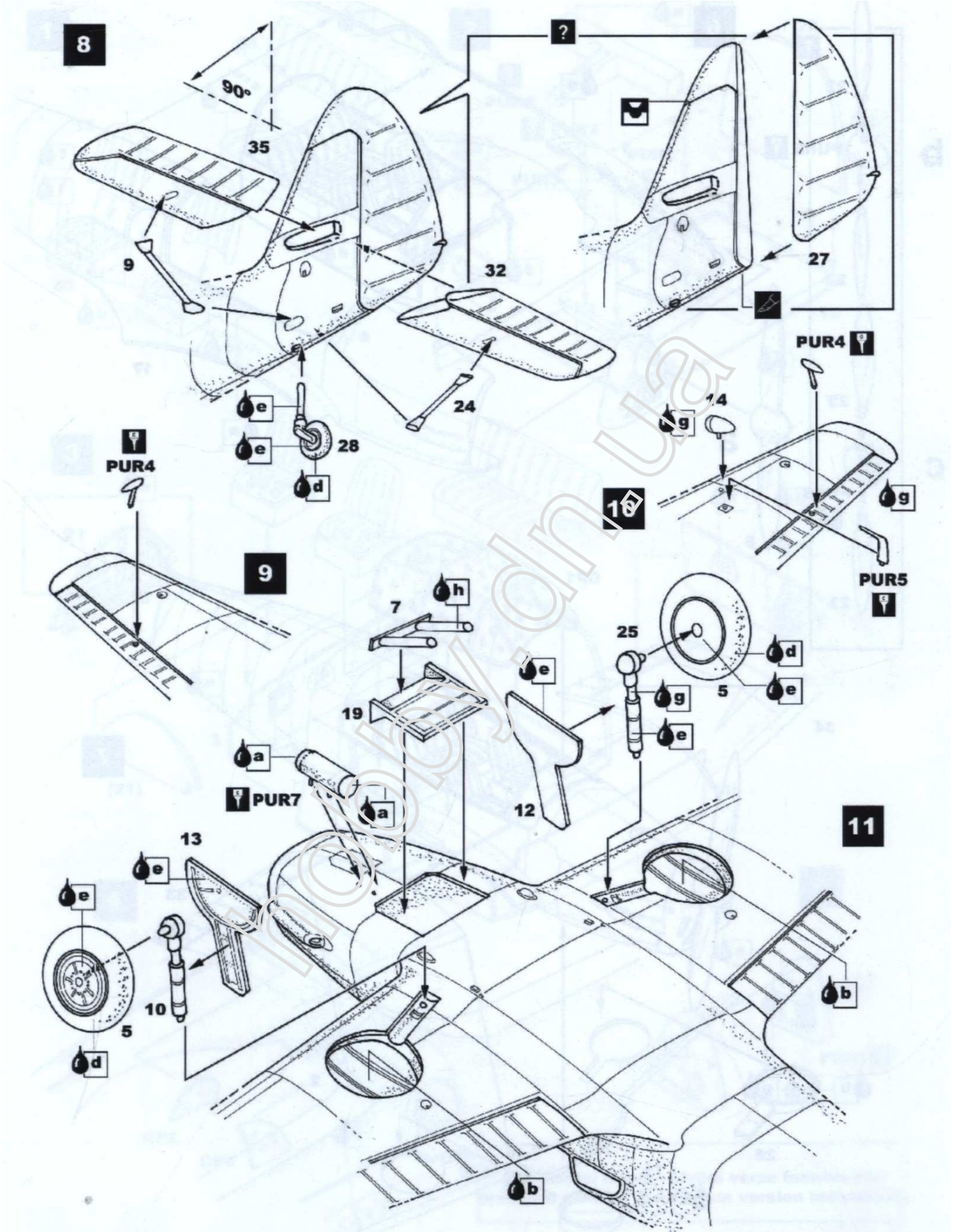


5



b Standardní barva - civilní verze individuální
 Standard colors - the civilian version individually

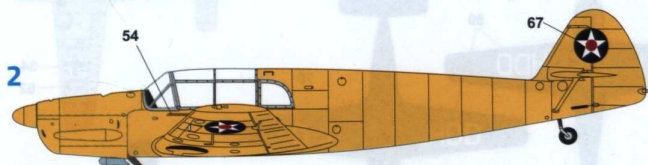




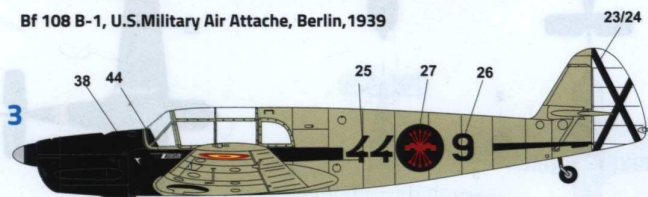
Messerschmitt Bf 108B/D Taifun



1 Bf 108 B-1, D-IMTT Personal aircraft of Willy Messerschmitt, 1935



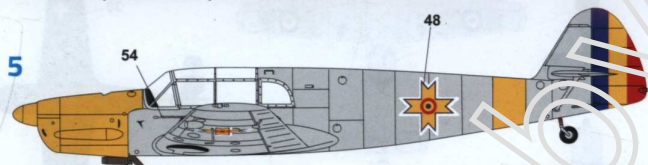
2 Bf 108 B-1, U.S. Military Air Attache, Berlin, 1939



3 Bf 108 B-1, Spain



4 Bf 108 B-1, Great Britain, ex W.Nr. 2039



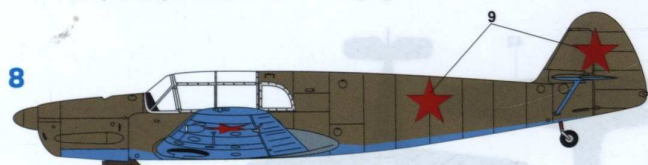
5 Bf 108 B-1, Romanian Air Force, 1943



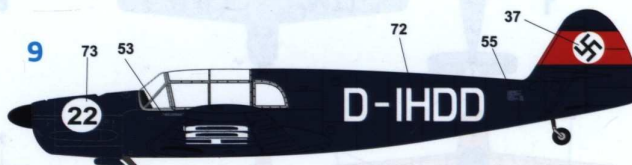
6 Bf 108 B-2, U.S. NAVY



7 Bf 108 B-2, USAAF, W.Nr.8378



8 Bf 108 B-1, Soviet Union, tested in NIIVVS, 1940



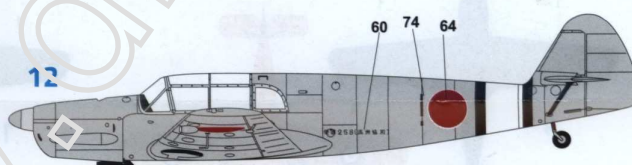
9 Bf 108 B-1, D-IHDD, rally "Isle of Mann", 1937



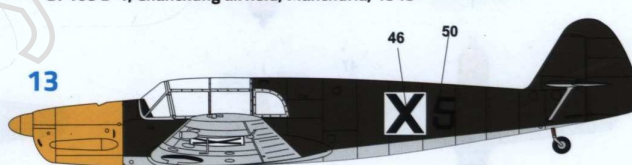
10 Bf 108 B-2, Great Britain, 1945



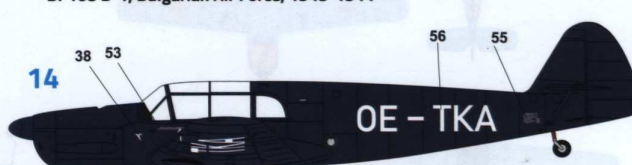
11 Bf 108 B-2, RAF



12 Bf 108 B-1, Chanchung airfield, Manchuria, 1945



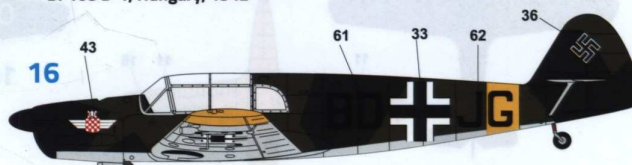
13 Bf 108 B-1, Bulgarian Air Force, 1943-1944



14 Bf 108 B-1, Austria, 1937

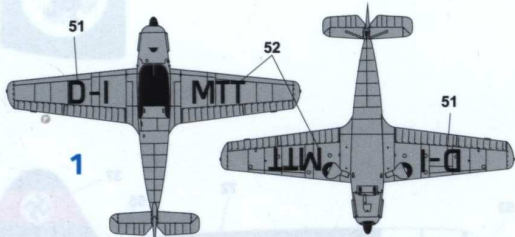


15 Bf 108 B-1, Hungary, 1942

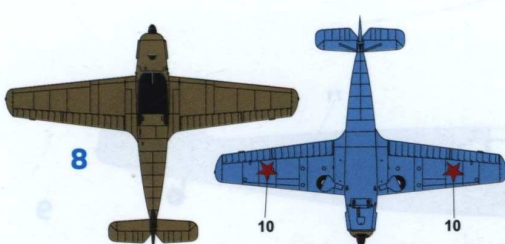


16 Bf 108 B-1, 15.Kroat/JG52, Croatian Air Force, 1942

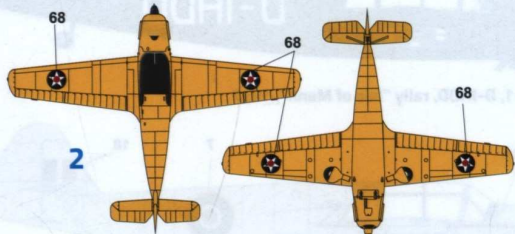
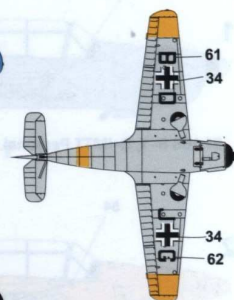
Messerschmitt Bf 108B/D Taifun



1



8



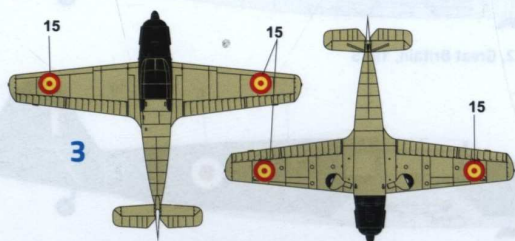
2



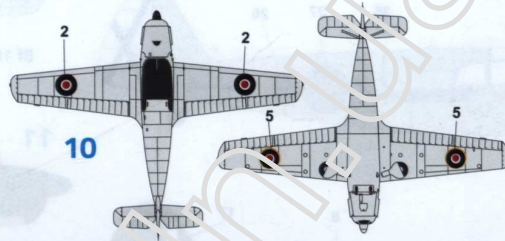
9



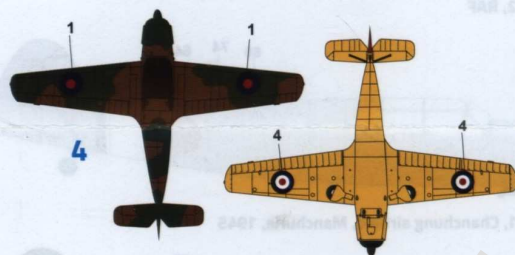
16



3



10



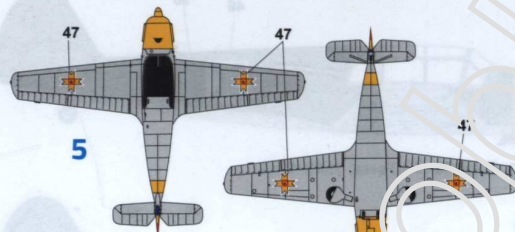
4



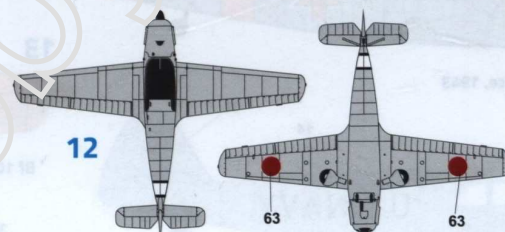
11



39



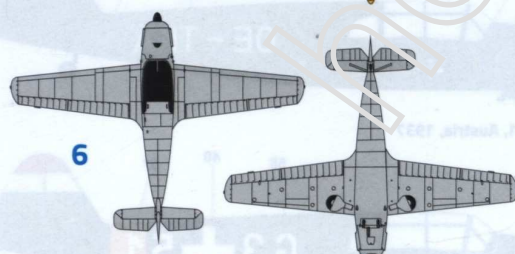
5



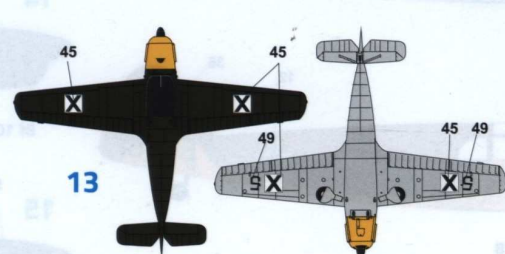
12



39



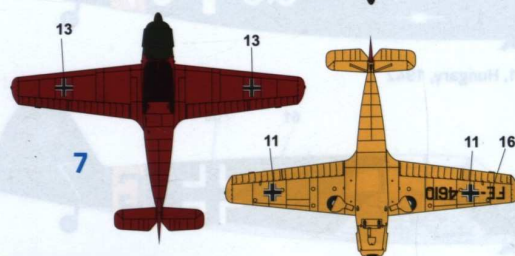
6



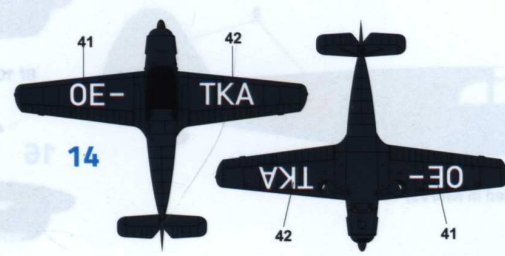
13



39



7



14

72032

Partners

