



PZL P.37 A

1:72 Scale

72040



The PZL 37 Łoś (moose) was a Polish twin-engined medium bomber designed and manufactured by national aircraft company PZL. Production of the Łoś commenced during the winter of 1936-1937.

General characteristics

Crew:	4
Length:	12.92 m (42 ft 5 in)
Wingspan:	17.93 m (58 ft 10 in)
Height:	5.1 m (16 ft 9 in)
Wing area:	53.5 m ² (576 ft ²)
Empty weight:	4,280 kg (9,436 lb)
Loaded weight:	8,865 kg with basic combat loading (19,526 lb)
Max. takeoff weight:	9,105 kg (20,070 lb)
Powerplant:	2 × Bristol Pegasus radial engines, 723 kW (970 hp) each

Performance

Maximum speed:	412 km/h at 2,800 m with 1,995 kg bomb load (256 mph at 9200 ft with 4,397 lb bomb load)
Range:	2,600 km (1,615 mi) with 1,760 kg bomb load and extra fuel tanks
Combat radius:	1,000 km (620 mi)
Service ceiling:	7,000 m (23,000 ft)
Rate of climb:	4.7 m/s (925 ft/min)
Wing loading:	166 kg/m ² (34 lb/ft ²)

Armament

3 x 7.92 mm observer's machine gun: 1 in the nose, 1 in the rear upper station, 1 in underbelly station
Up to 2,580 kg (5,690 lb) of bombs (18 x 110 kg + 2 x 300 kg). Basic load 20 x 110 kg = 2,200 kg (4850 lb).
Bomb load while operating from unprepared fields 880–1320 kg (1,940–2,910 lb) (8, 10 or 12 x 110 kg)

Source:- Wikipedia

SYMBOLS

Drill hole



Vyvtat

Cyanoacrylate



Vleštinové lepidlo

Remove



Odfiznout

Reduce



Zbrousit

Make new



Vyrobít

Option



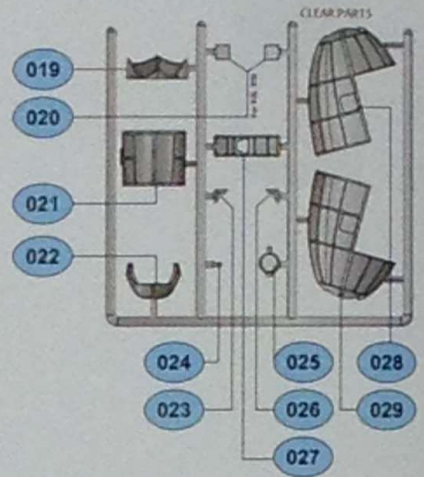
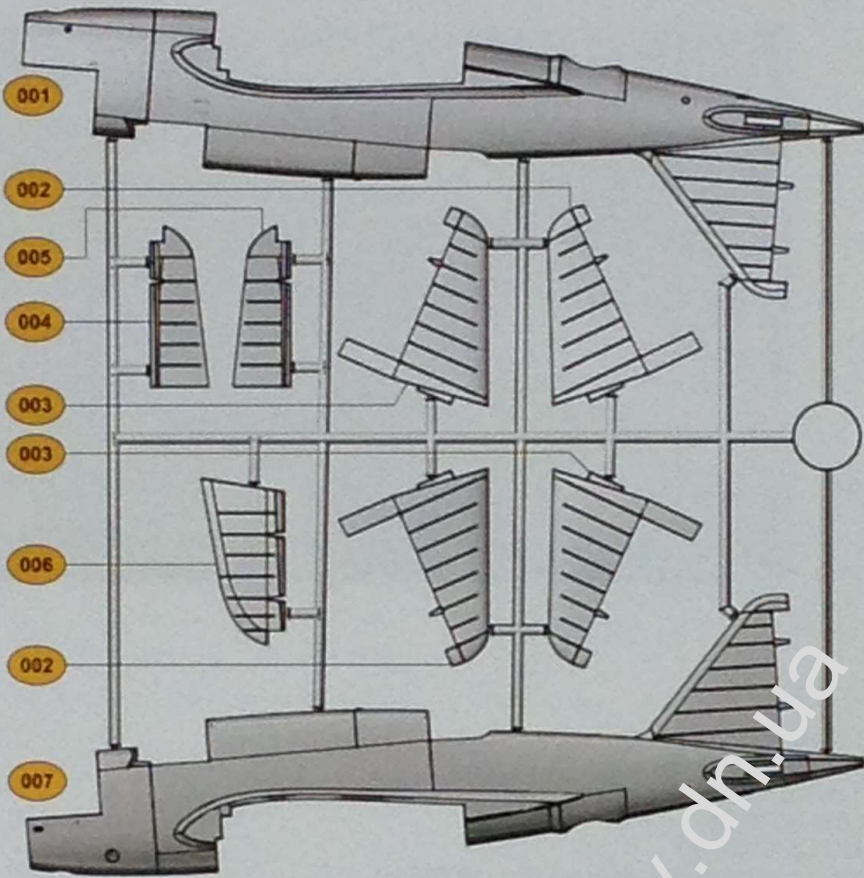
Volba

Bend

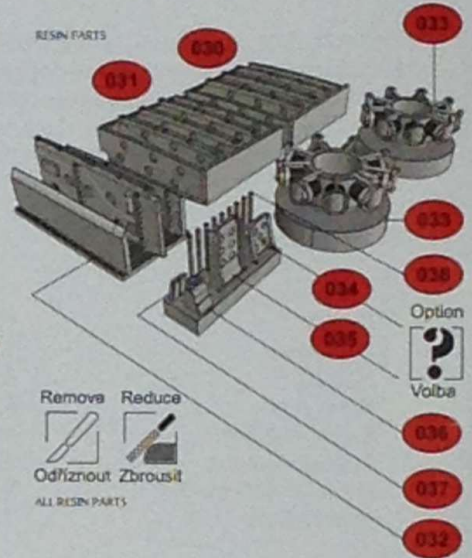


Ohnout

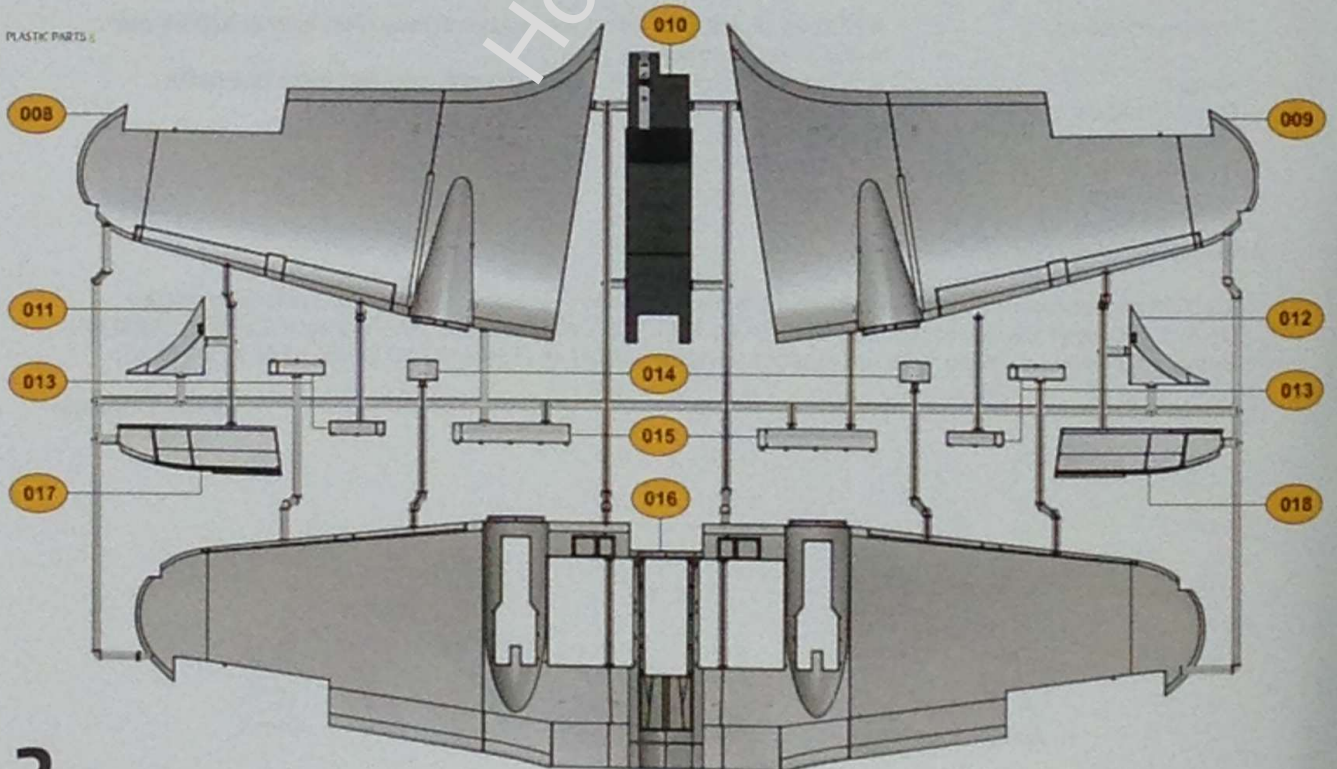
PLASTIC PARTS 1

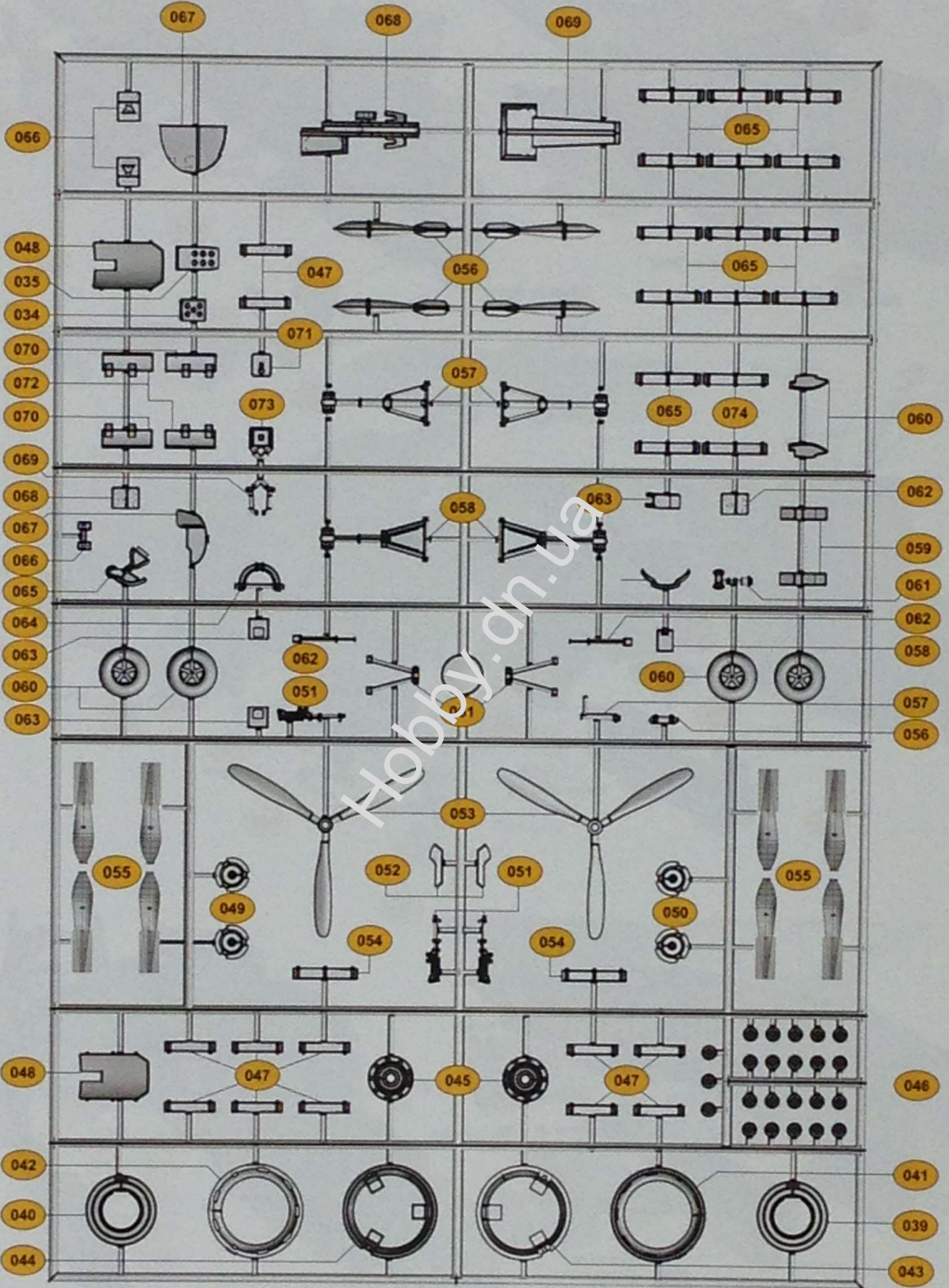


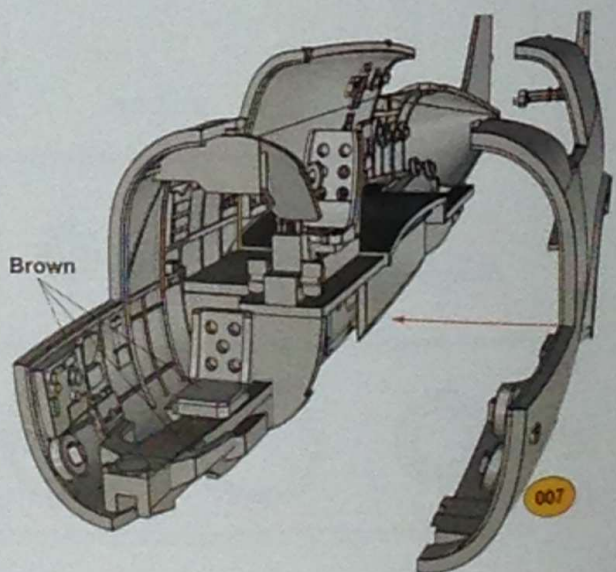
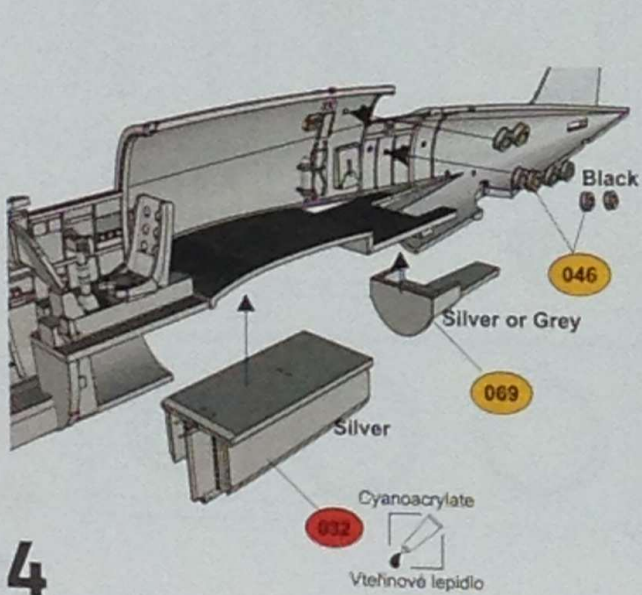
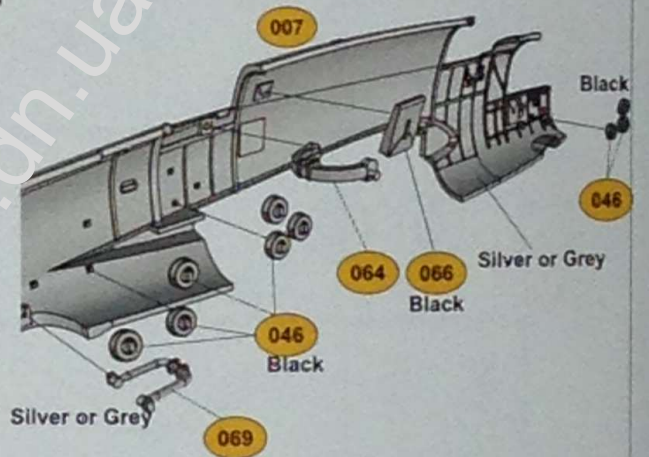
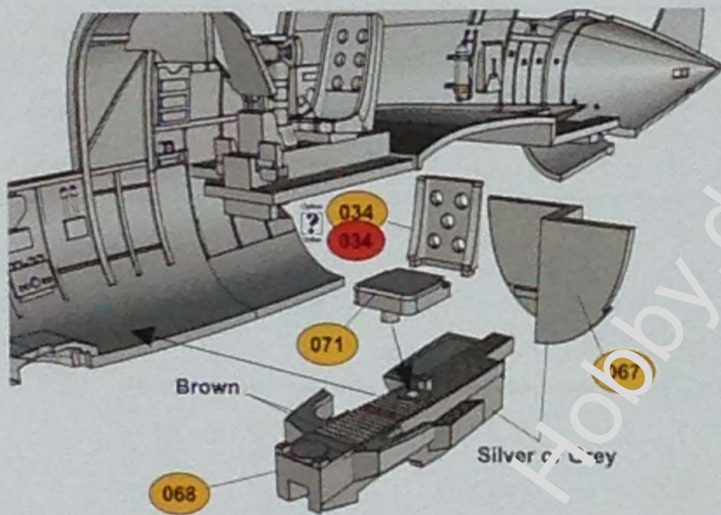
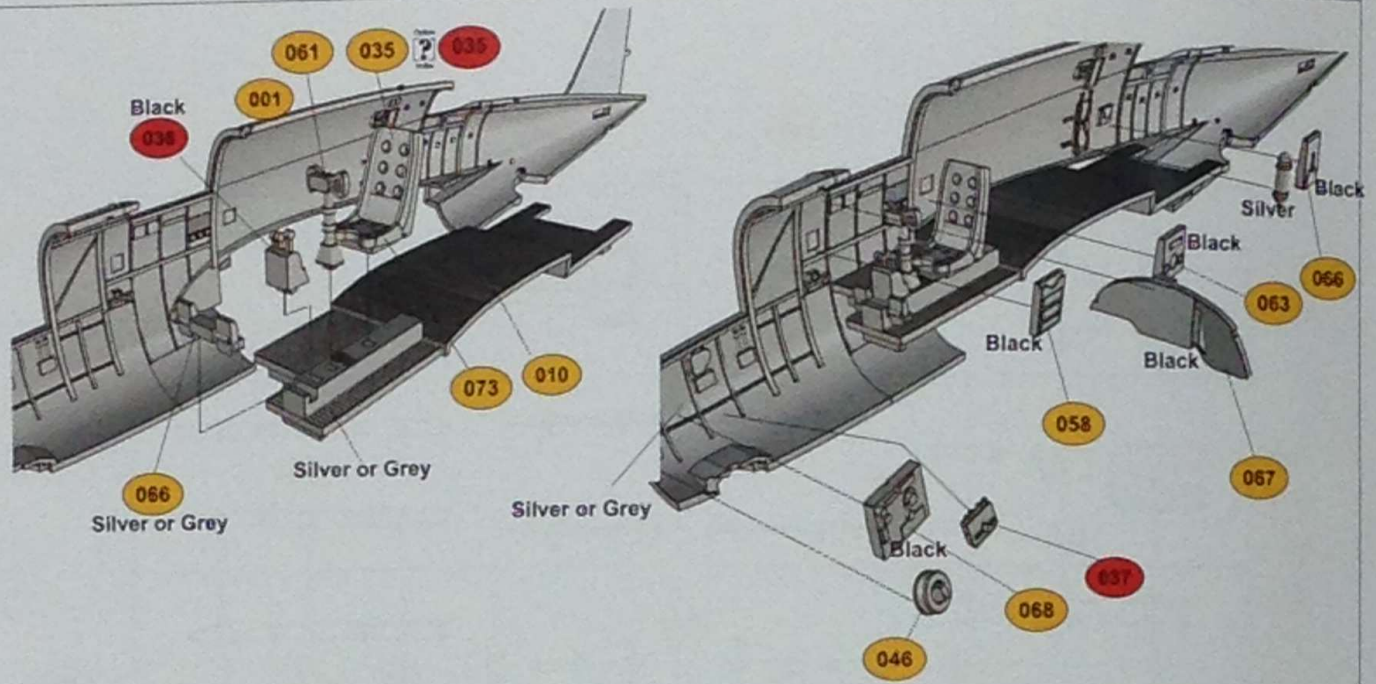
RESIN PARTS



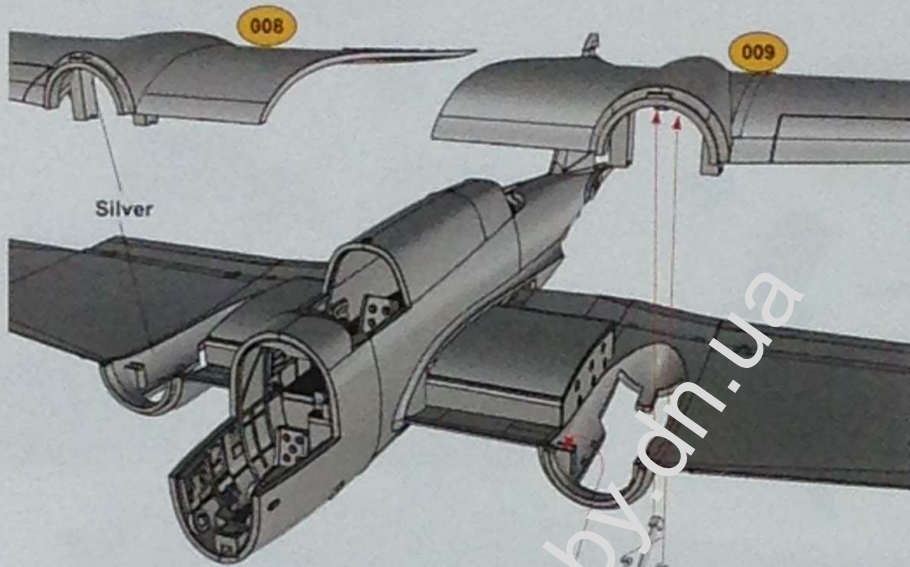
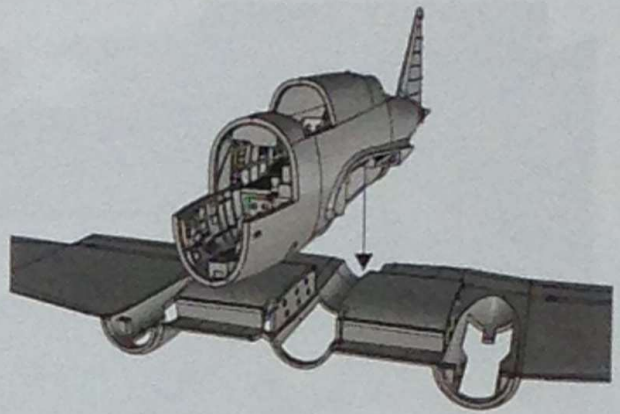
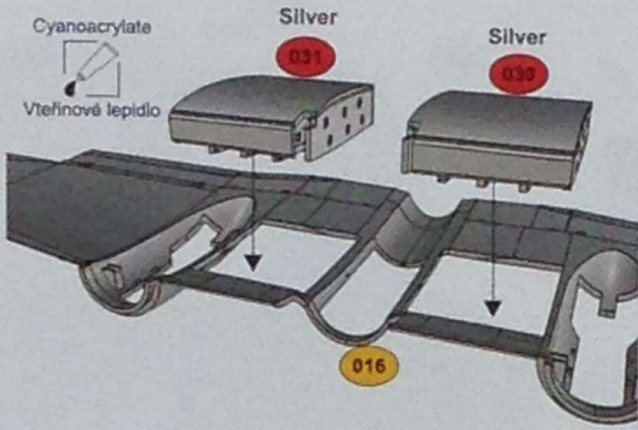
PLASTIC PARTS 2





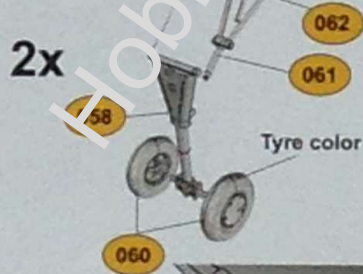


Cyanoacrylate
Vteřinové lepidlo



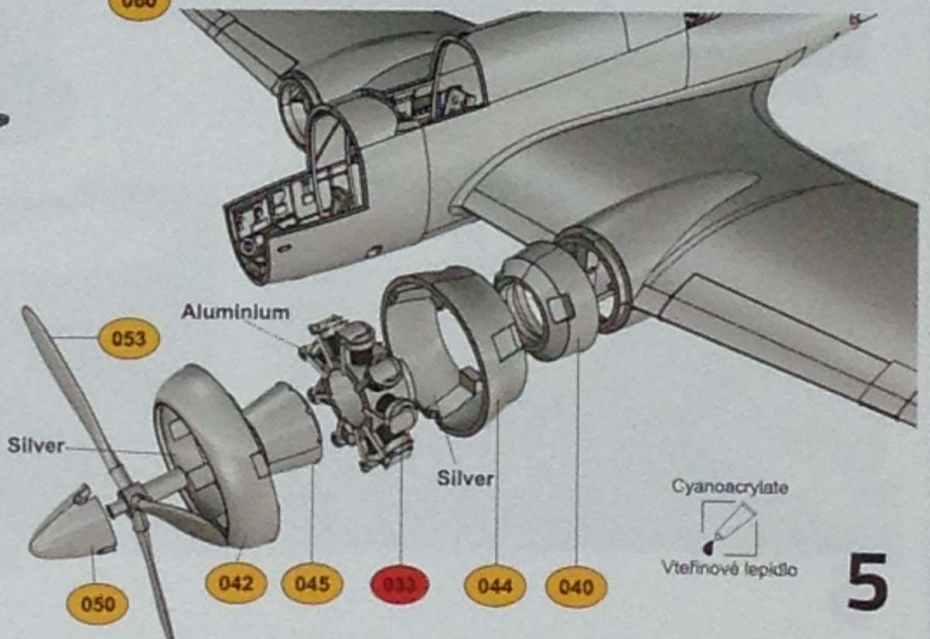
Info view

2x

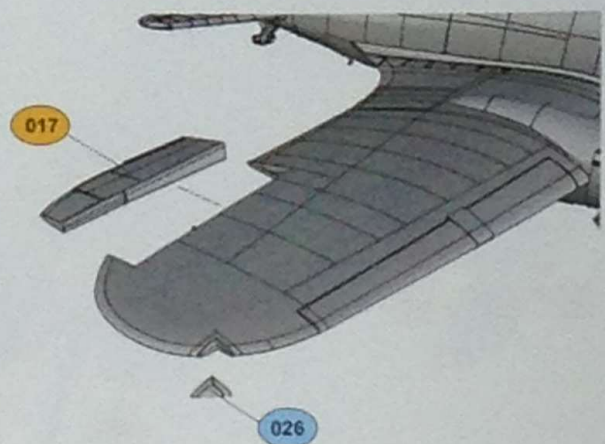
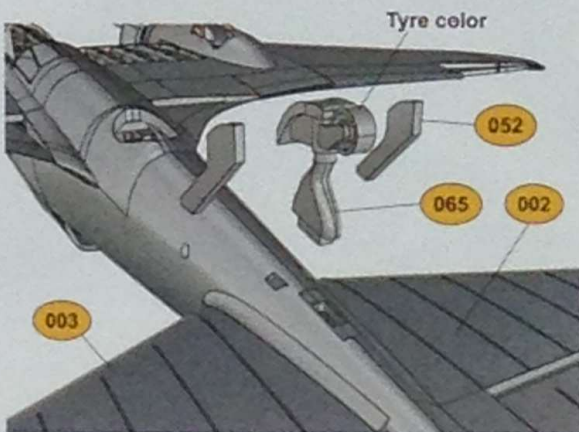
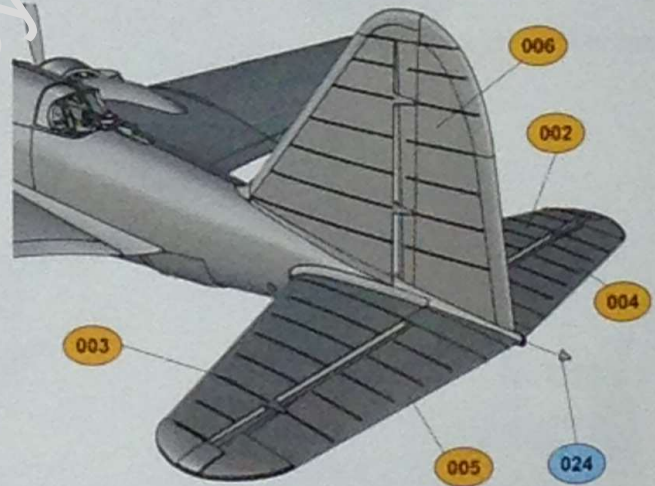
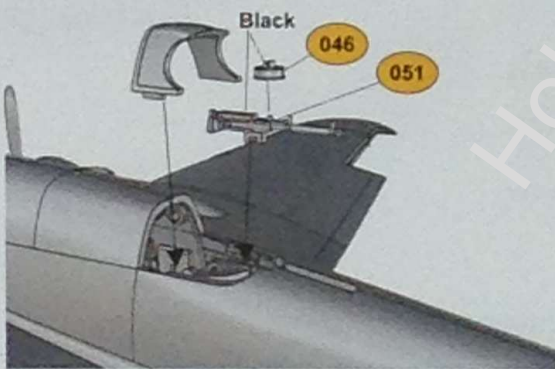
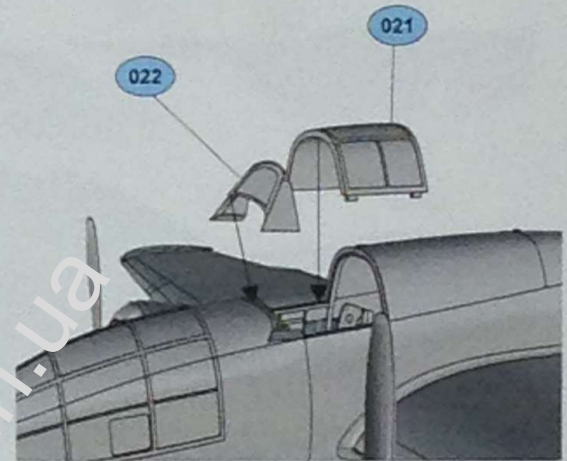
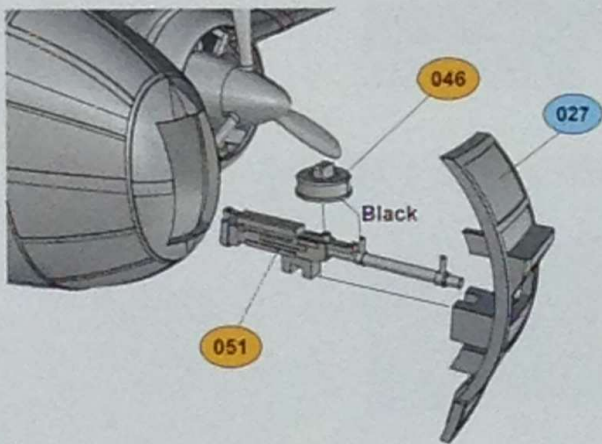
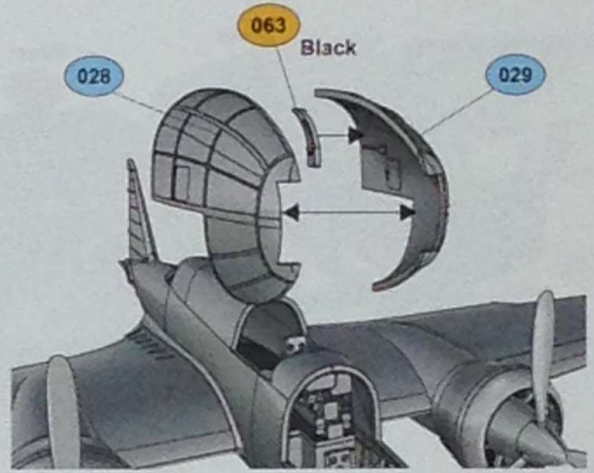
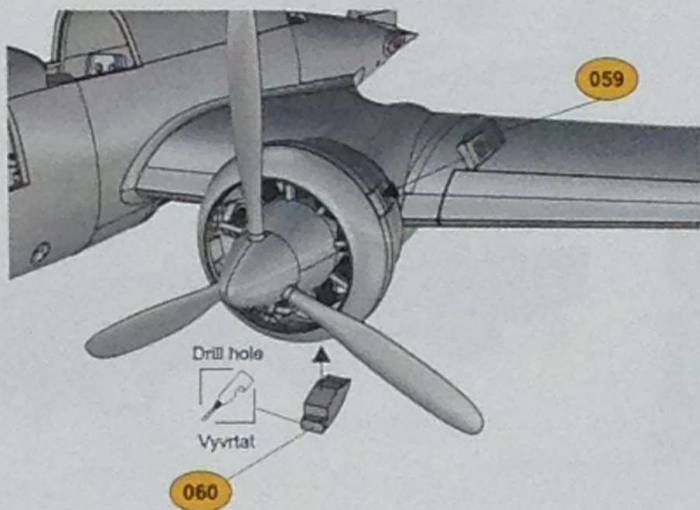


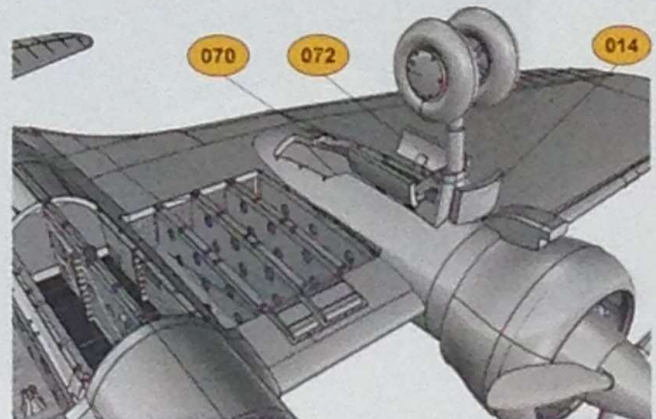
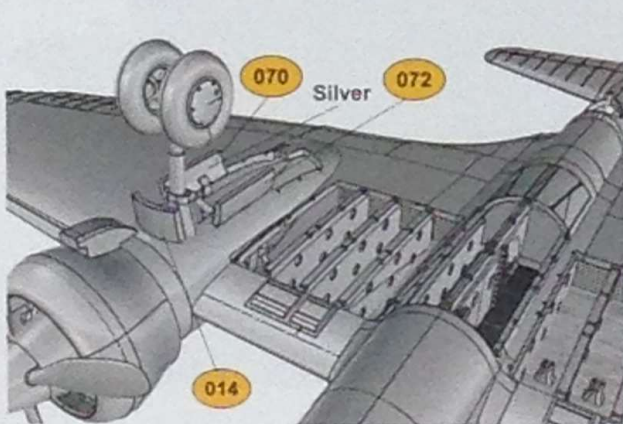
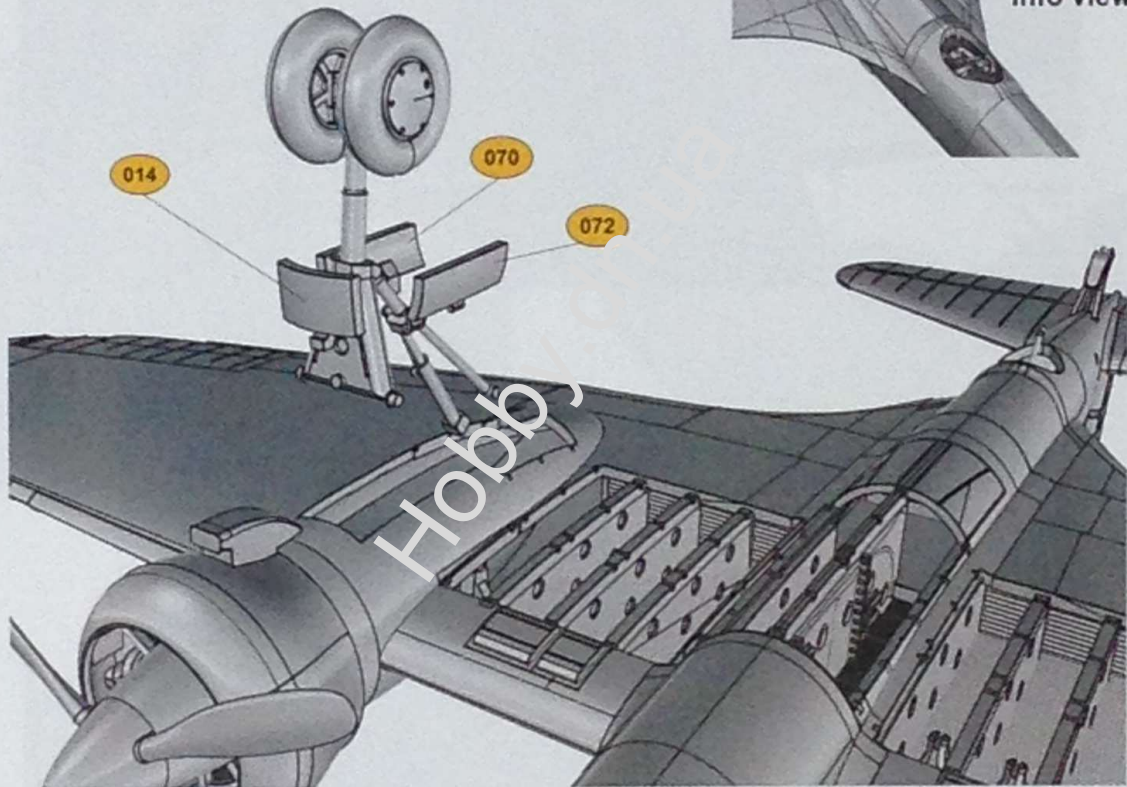
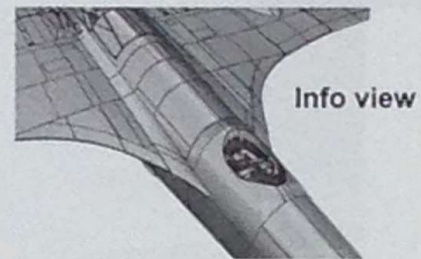
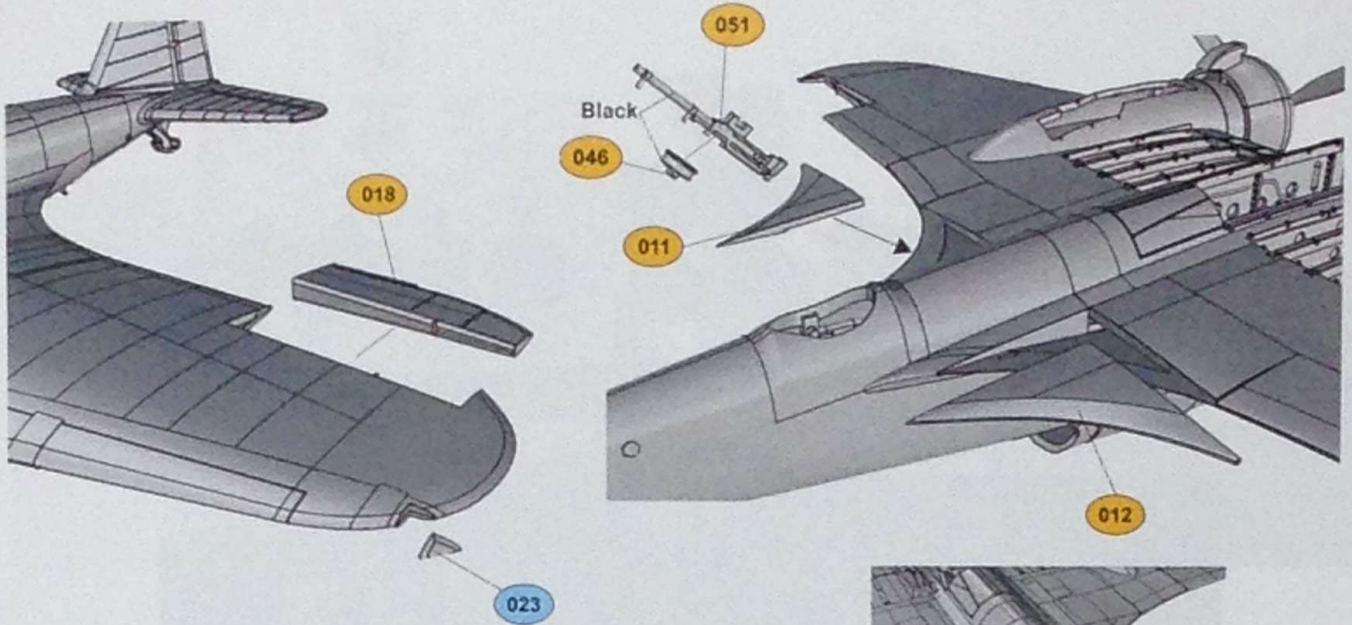
for right side

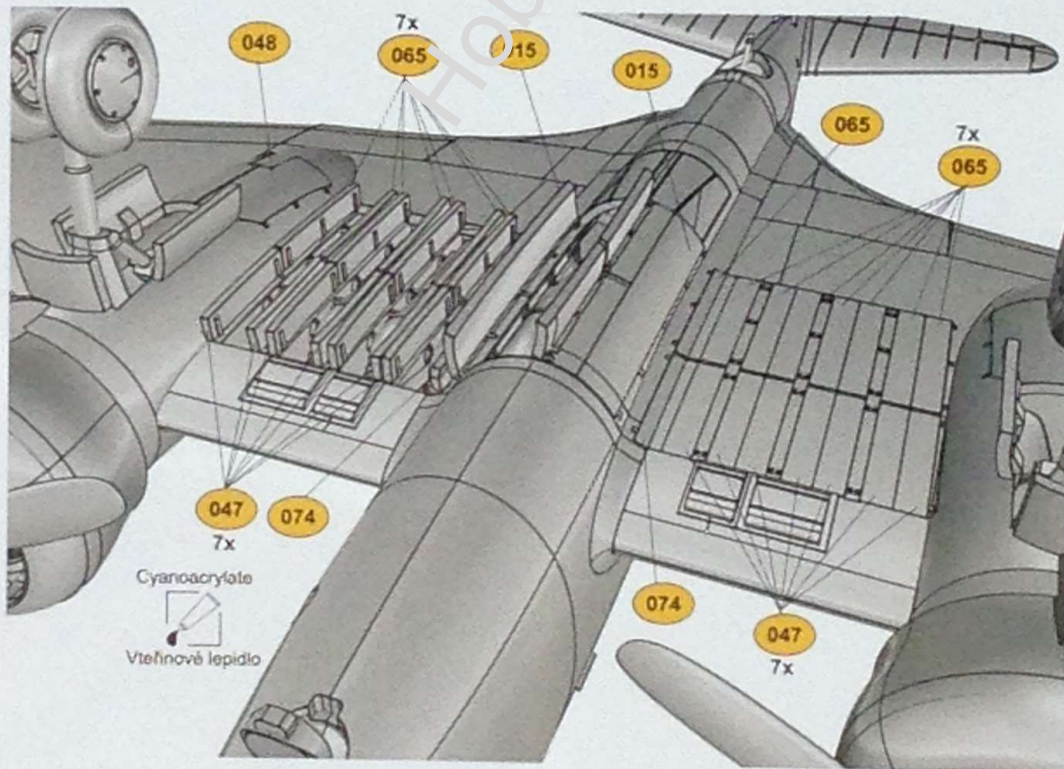
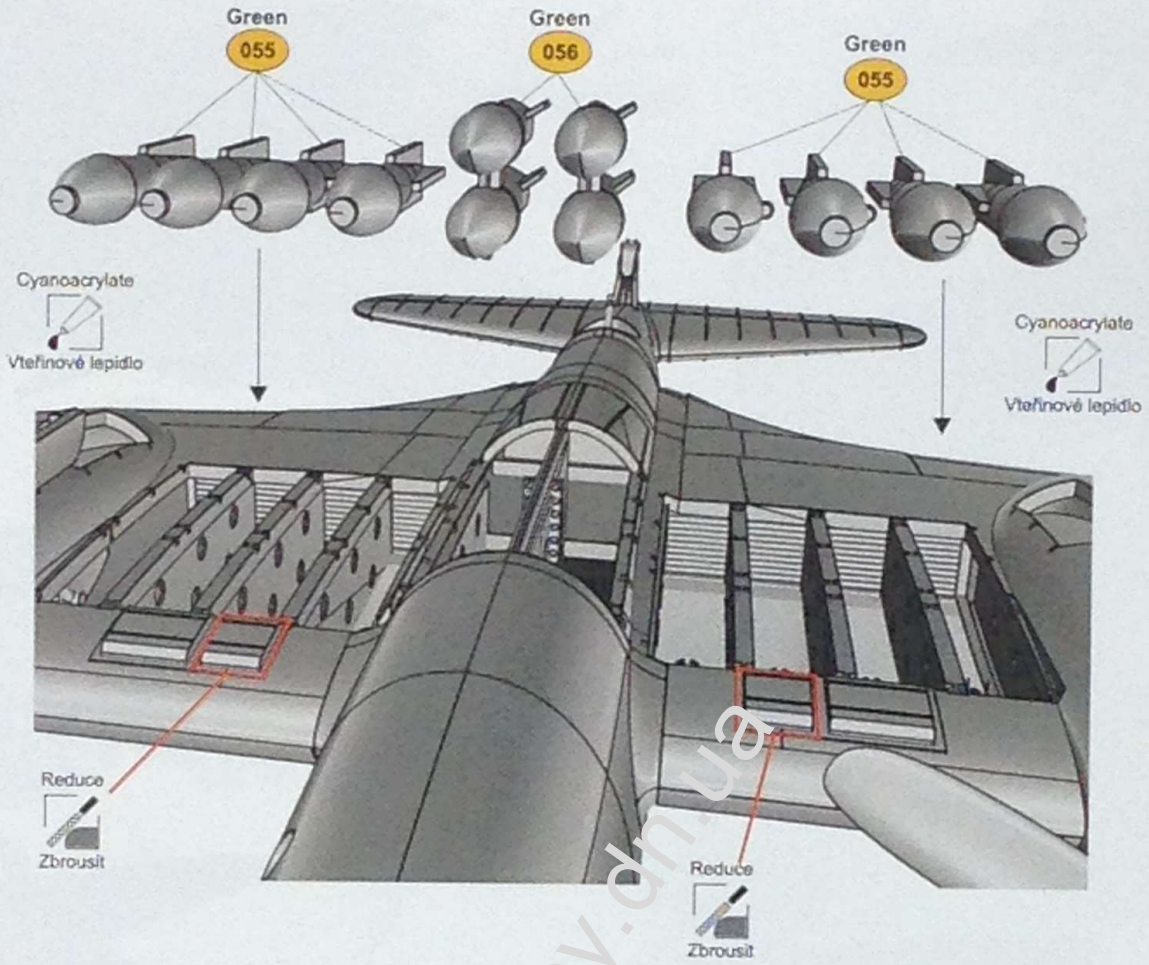
- 041 050
- 033 053
- 039 059
- 043 060

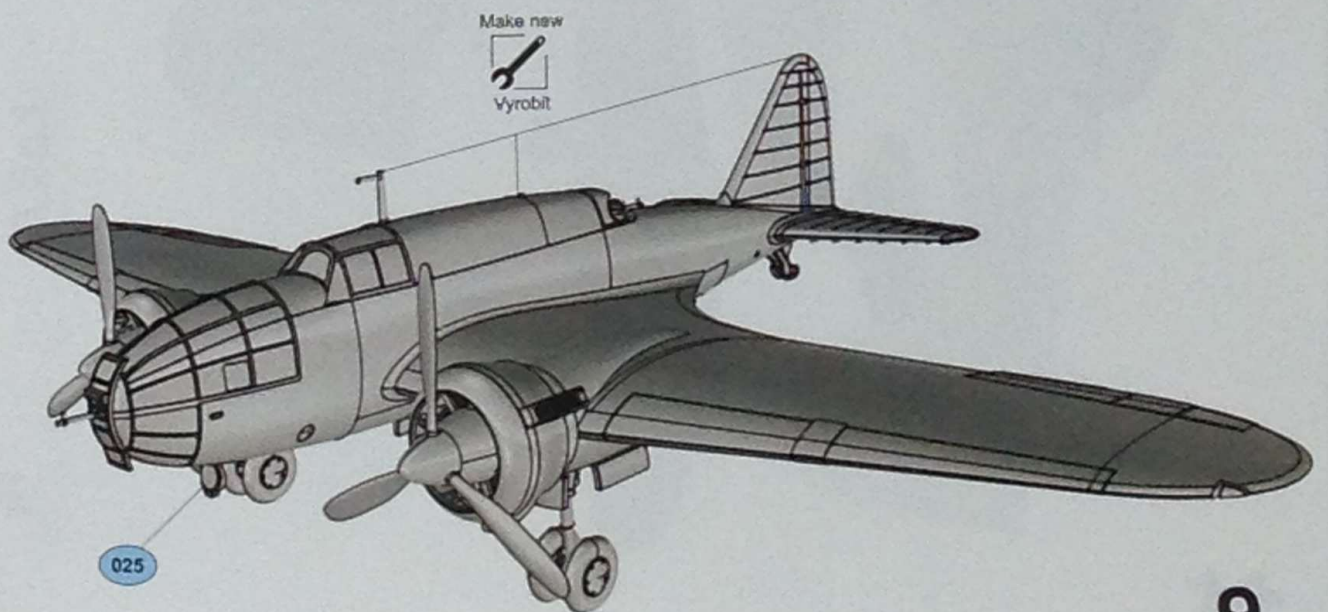
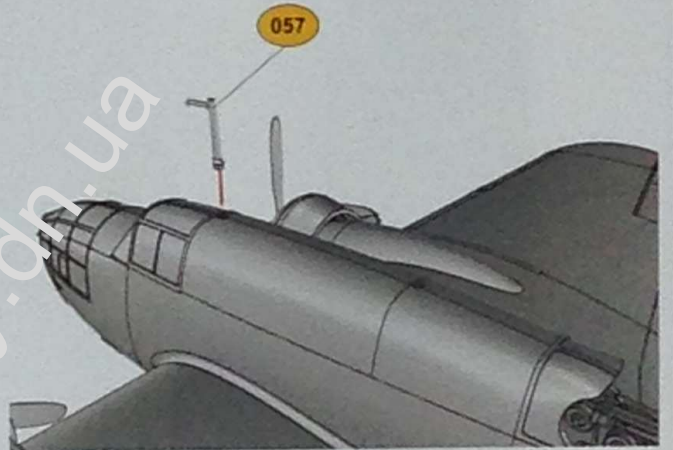
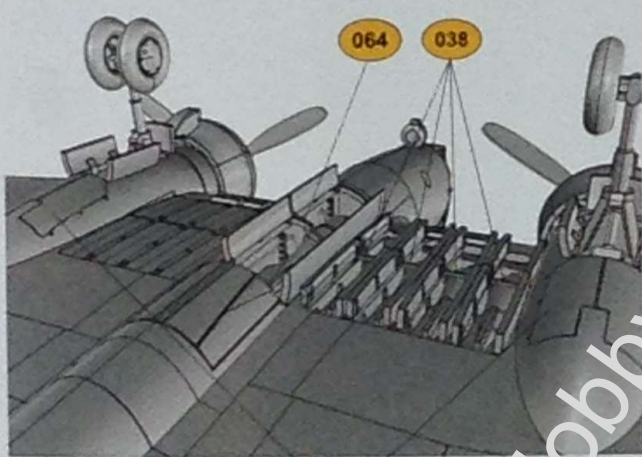
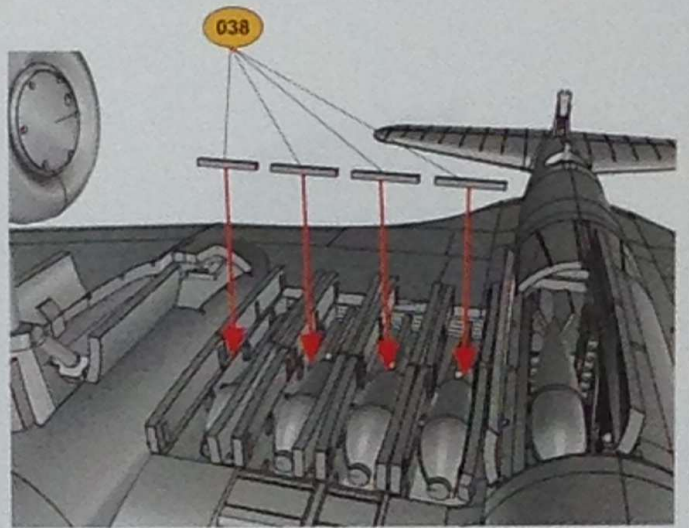
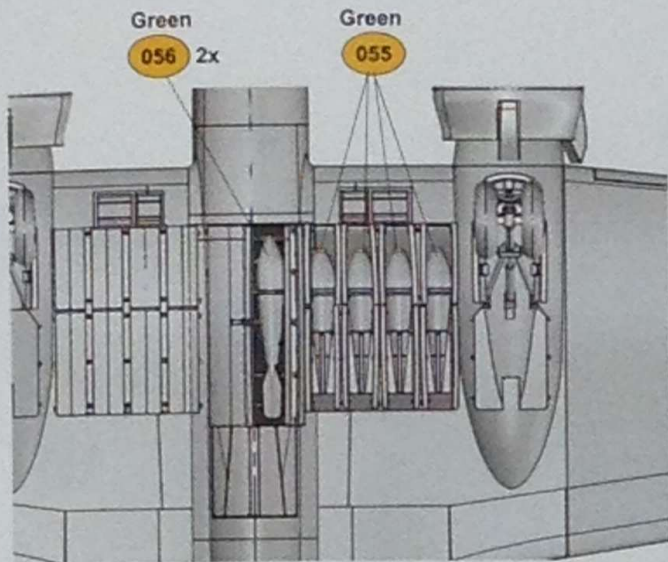


Cyanoacrylate
Vteřinové lepidlo







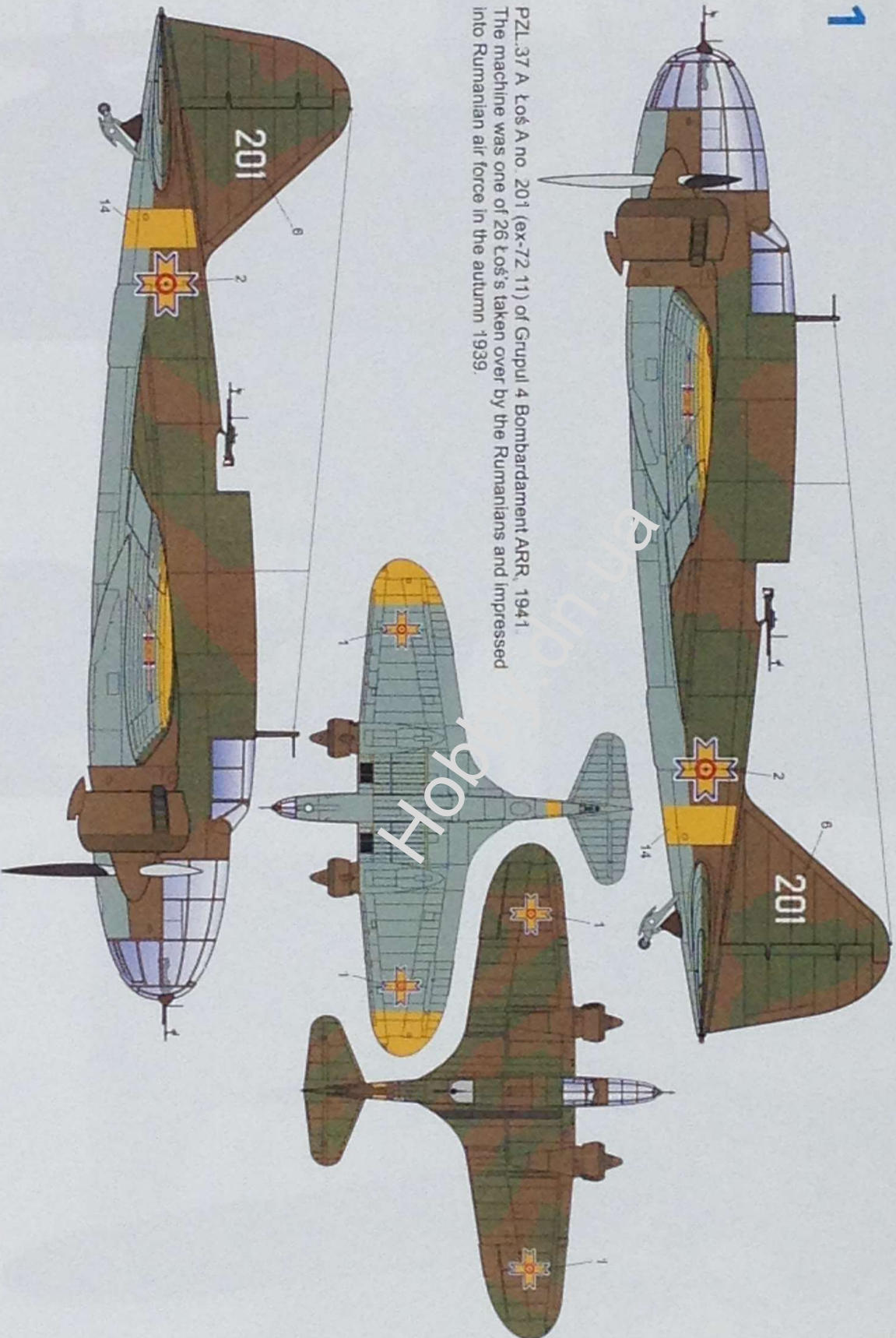


Humbrol	30	29	65	154	155	47	67
	2011	2012	2009	2005	736	4145	2004

PZL.37 A - ŁOŚ A

FIV

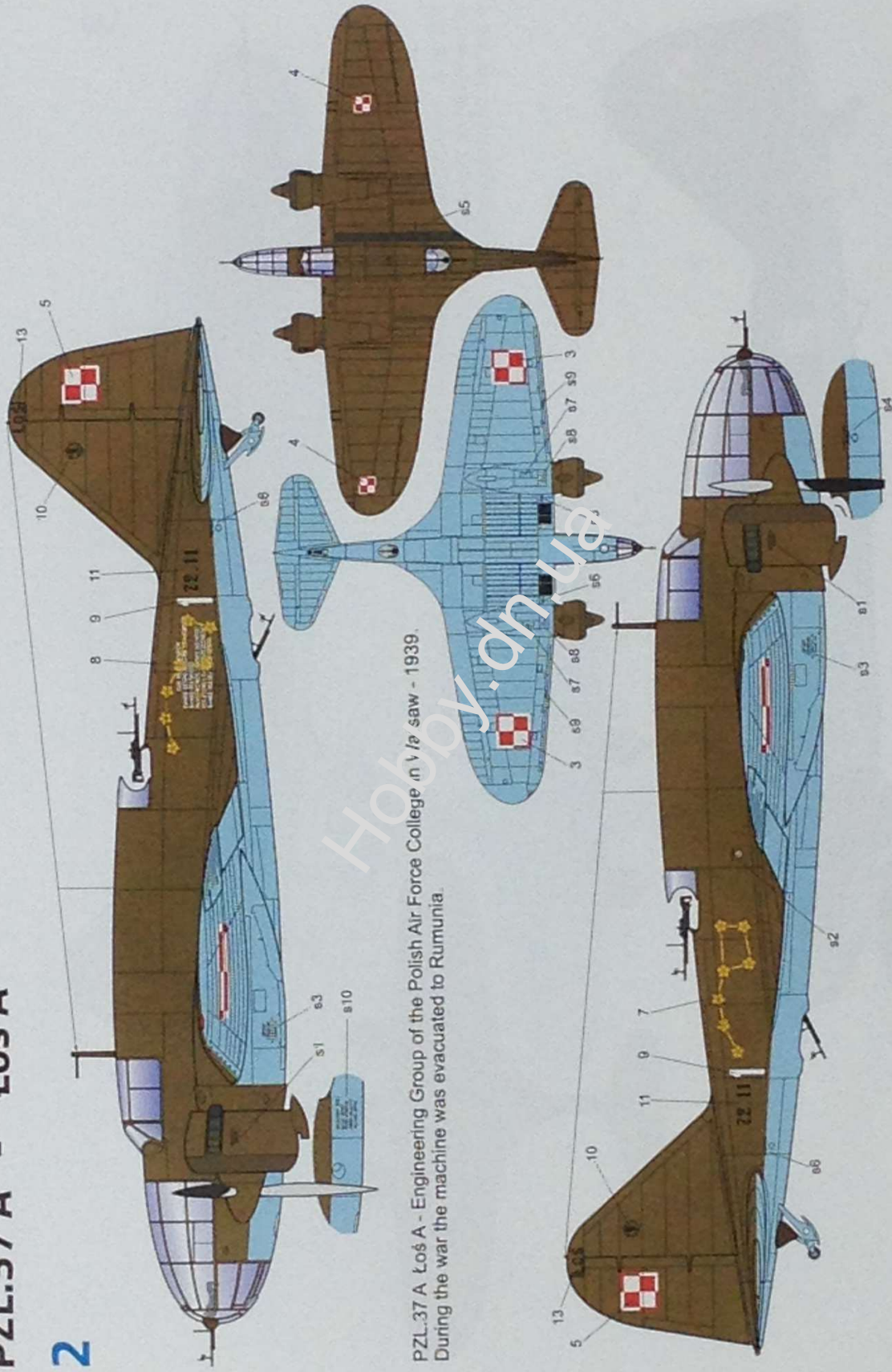
1





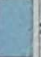

PZL.37 A Łoś A no. 201 (ex-72 11) of Grupul 4 Bombardament ARR, 1941.
The machine was one of 26 Łoś's taken over by the Rumanians and impressed into Rumanian air force in the autumn 1939.

PZL.37 A - ŁOŚ A

2



PZL.37 A Łoś A - Engineering Group of the Polish Air Force College in 1/2 scale - 1939.
During the war the machine was evacuated to Rumunia.

Humbrol		47	67
			
	4145	2004	

PZL.37 A - ŁOŚ A

FIV

3

PZL 37 A Łoś A no 72.12 of the 12th Bomber Flight, destroyed during German flight of Kuchny airfield near Łódź on 4 september 1939. Note the unpainted window panel in the ventral gunner's position.

