



# PZL.37A bis

1:72 Scale

72041



The PZL.37 Łoś (moose) was a Polish twin-engined medium bomber designed and manufactured by national aircraft company PZL.

Production of the Łoś commenced during the winter of 1936-1937

## General characteristics

Crew:	4
Length:	12.92 m (42 ft 5 in)
Wingspan:	17.93 m (58 ft 10 in)
Height:	5.1 m (16 ft 9 in)
Wing area:	53.5 m <sup>2</sup> (576 ft <sup>2</sup> )
Empty weight:	4,280 kg (9,436 lb)
Loaded weight:	8,865 kg with basic combat loading (19,526 lb)
Max. takeoff weight:	9,105 kg (20,070 lb)
Powerplant:	2 × Bristol Perseus radial engines, 723 kW (970 hp) each

## Performance

Maximum speed:	412 km/h at 2,800 m with 1,995 kg bomb load (256 mph at 9200 ft with 4,397 lb bomb load)
Range:	2,600 km (1,615 mi) with 1,760 kg bomb load and extra fuel tanks
Combat radius:	1,000 km (620 mi)
Service ceiling:	7,000 m (23,000 ft)
Rate of climb:	4.7 m/s (925 ft/min)
Wing loading:	166 kg/m <sup>2</sup> (34 lb/ft <sup>2</sup> )

## Armament

3 x 7.92 mm observer's machine gun: 1 in the nose, 1 in the rear upper station, 1 in underbelly station  
Up to 2,580 kg (5,690 lb) of bombs (18 x 110 kg + 2 x 300 kg). Basic load 20 x 110 kg = 2,200 kg (4850 lb).  
Bomb load while operating from unprepared fields 880–1320 kg (1,940–2,910 lb) (8, 10 or 12 x 110 kg)

Source: - Wikipedia

### SYMBOLS

Drill hole



Vyvrtať

Cyanoacrylate



Vtiefinové lepidlo

Remove



Odfíznout

Reduce



Zbrousit

Make new



Vyrobit

Option



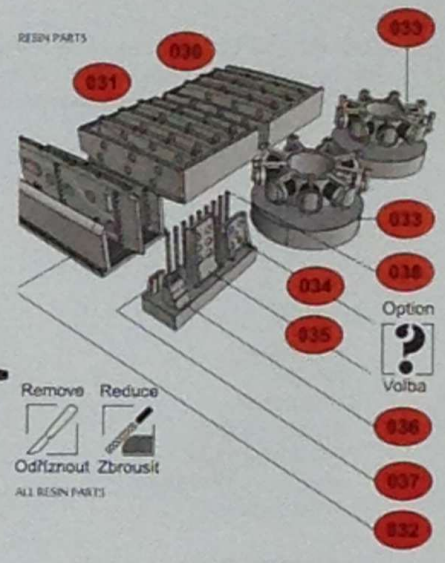
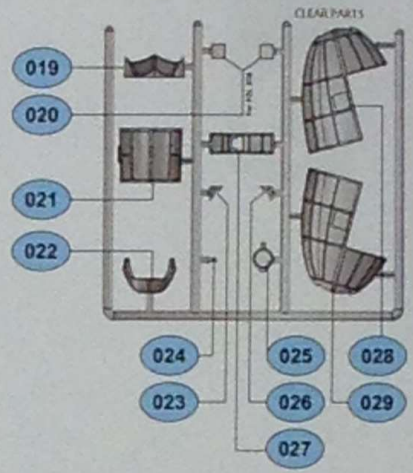
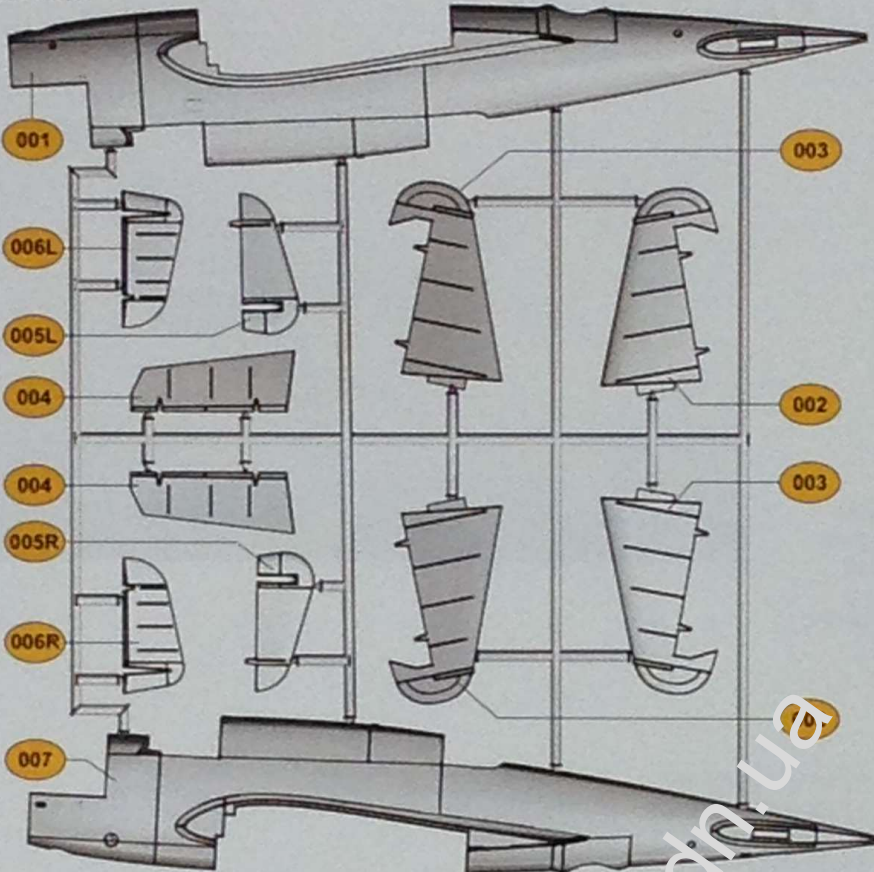
Volba

Bend

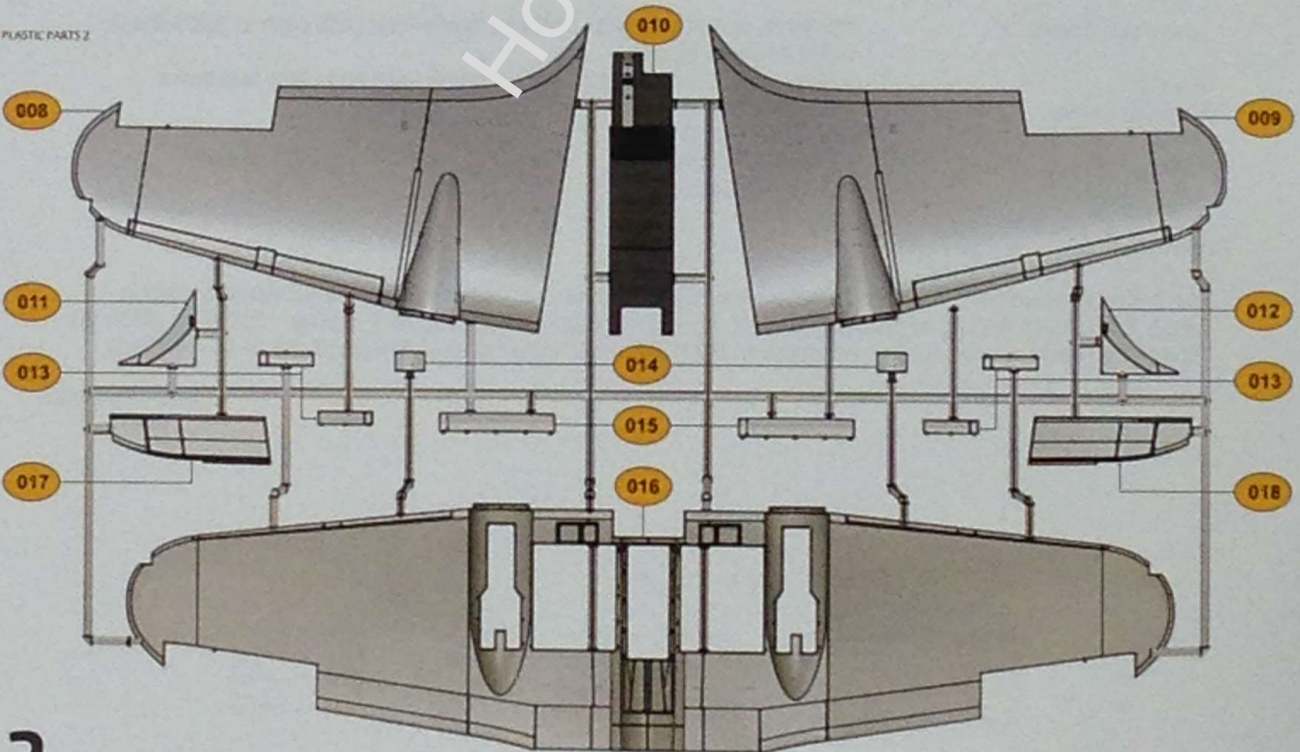


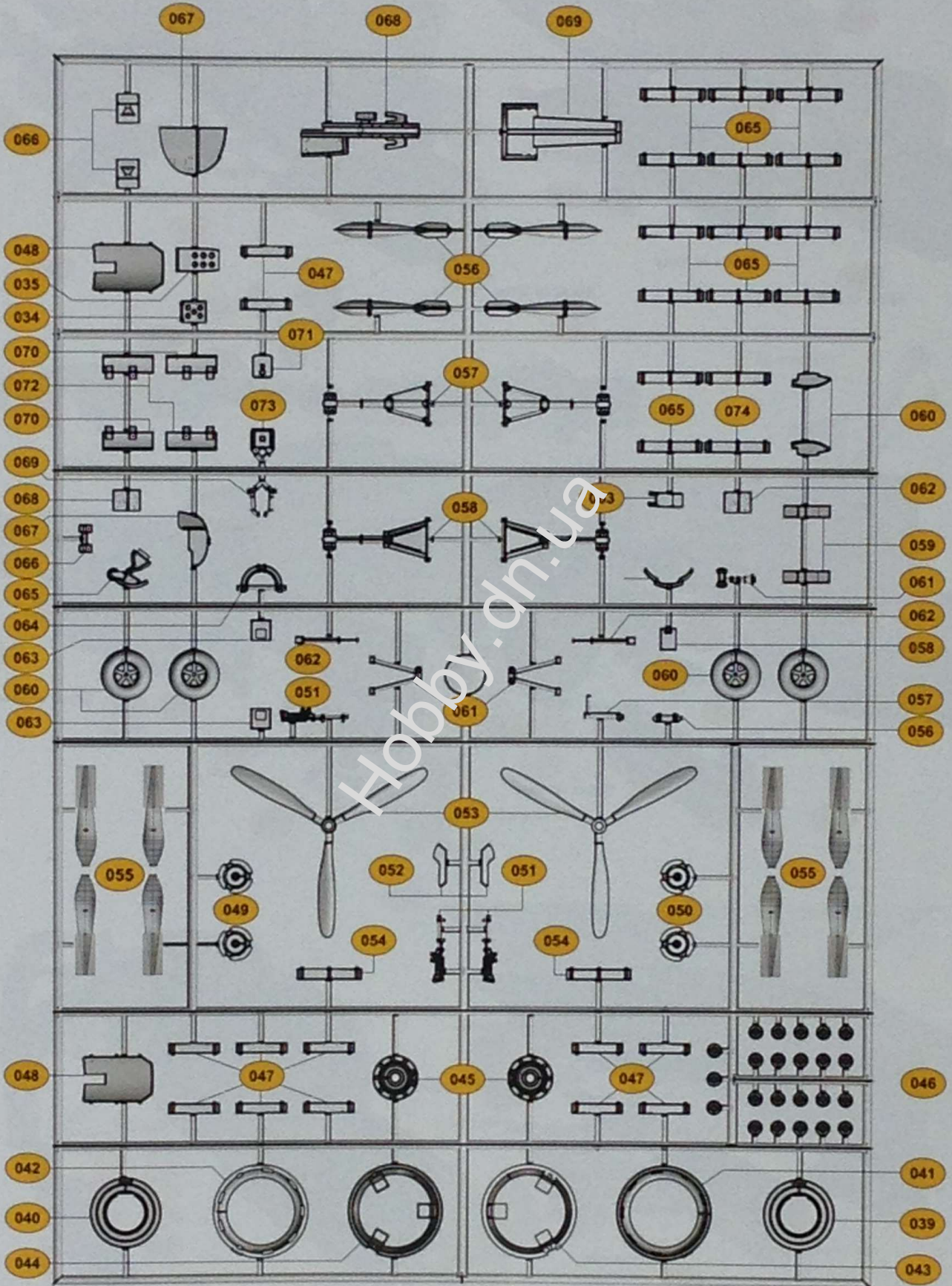
Ohnout

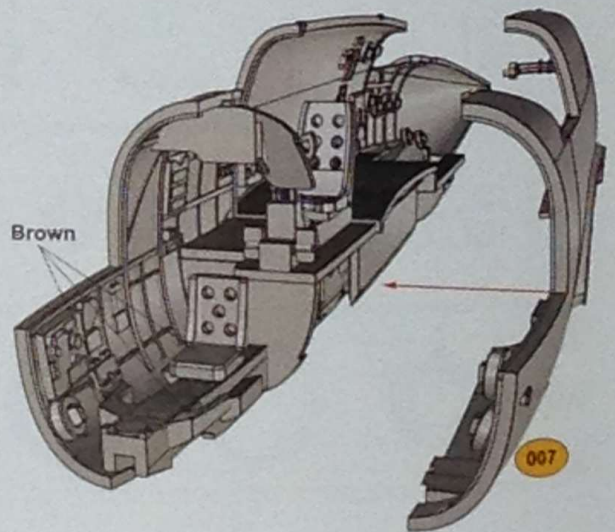
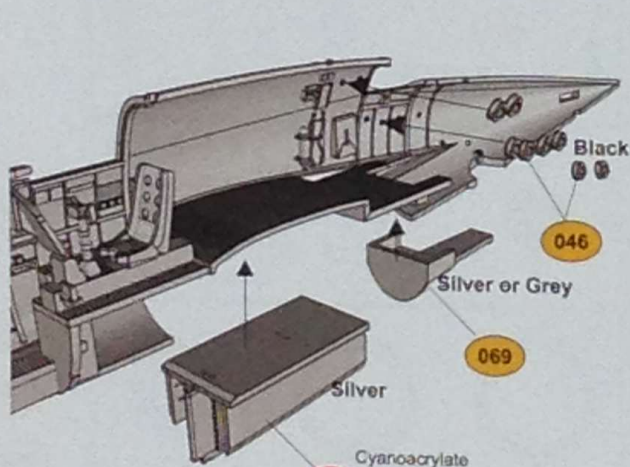
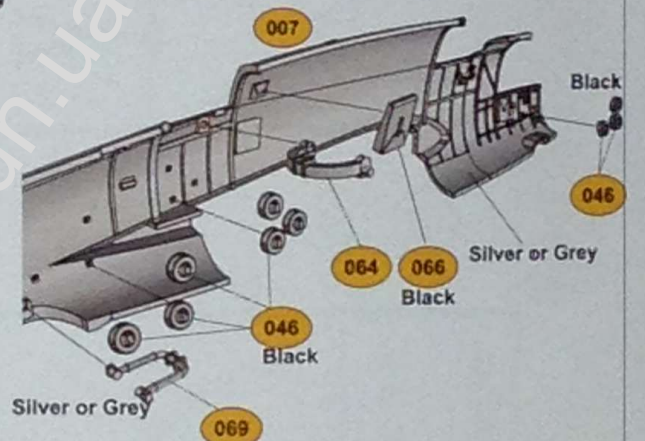
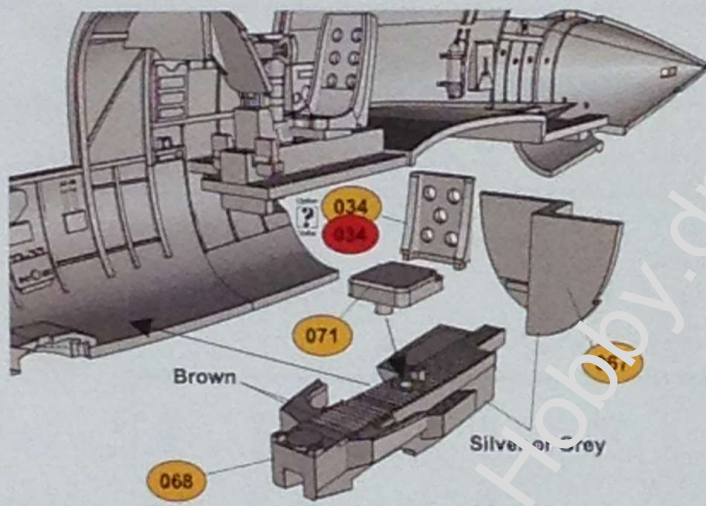
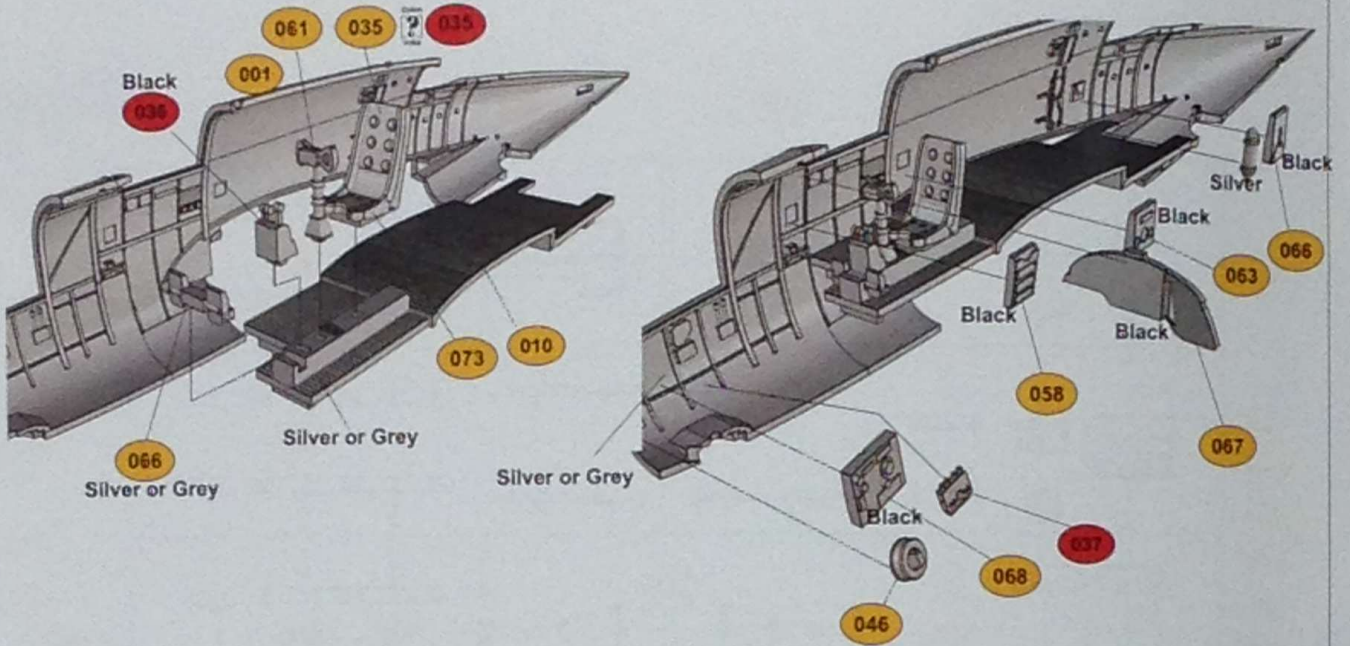
PLASTIC PARTS 1



PLASTIC PARTS 2







4

Cyanoacrylate  
Věhňové lepidlo

Cyanoacrylate



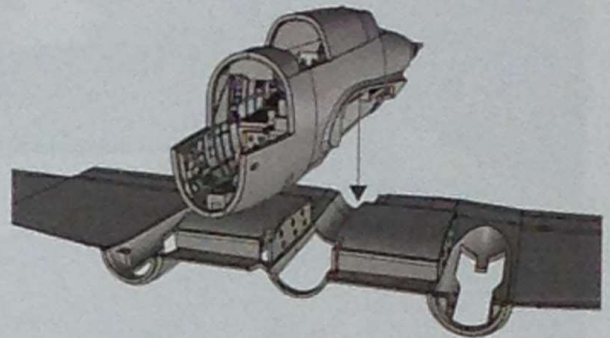
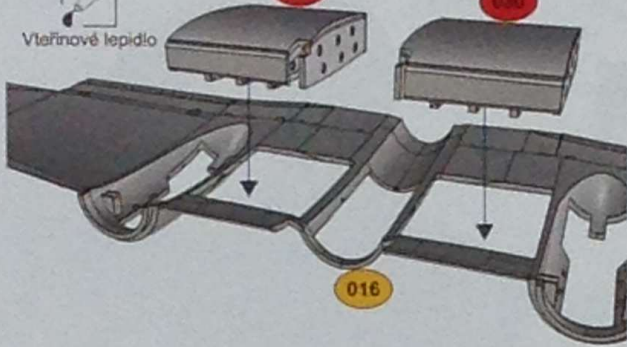
Vteřinové lepidlo

Silver

031

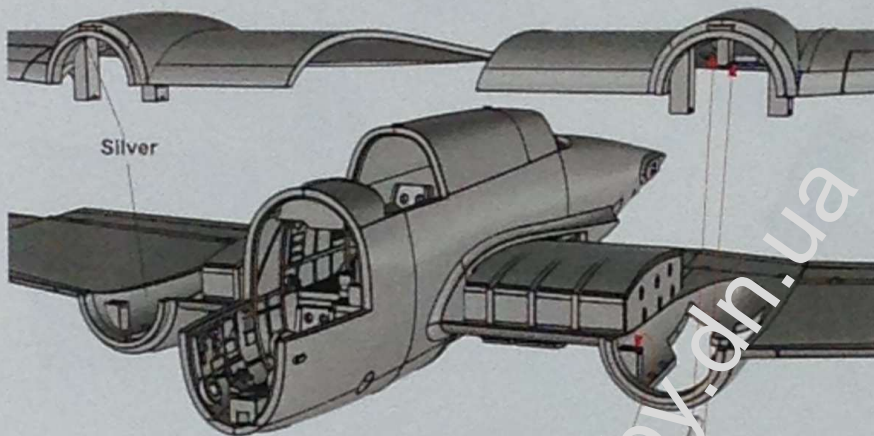
Silver

030



008

009



Aluminium



Info view

2x

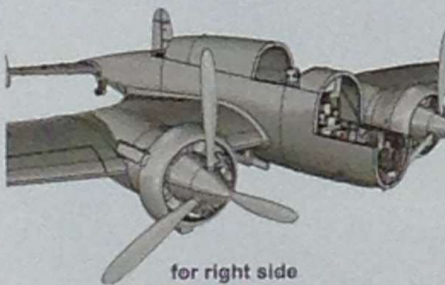
Hobby.dn.ua

062

061

Tyre color

060



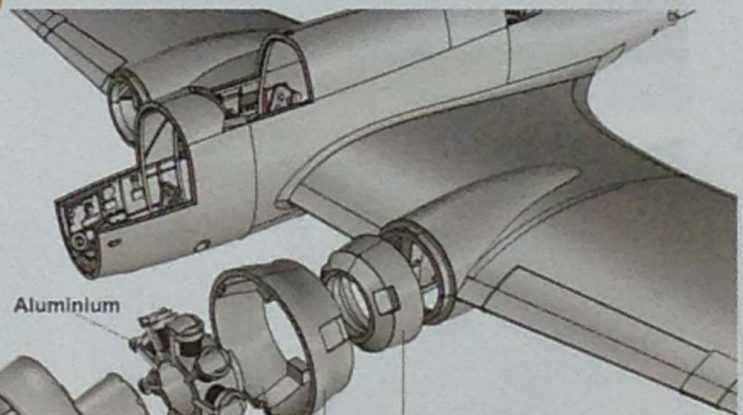
for right side

041 050

033 053

039 059

043 060



Silver

053

Aluminium

Silver

Cyanoacrylate



Vteřinové lepidlo

050

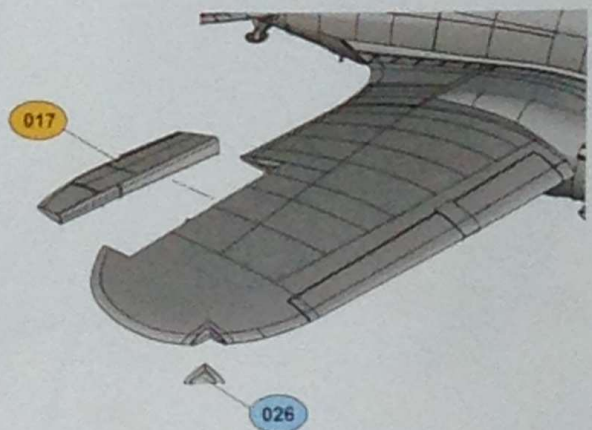
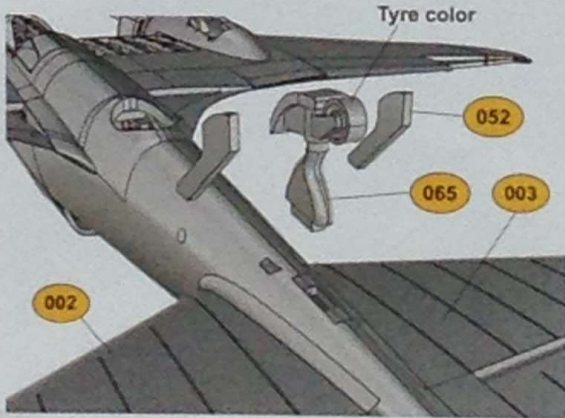
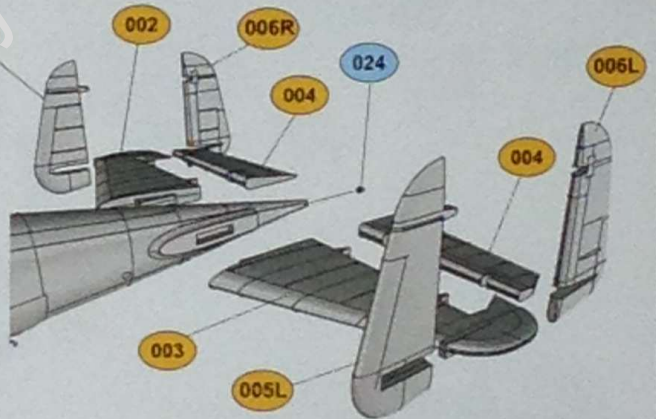
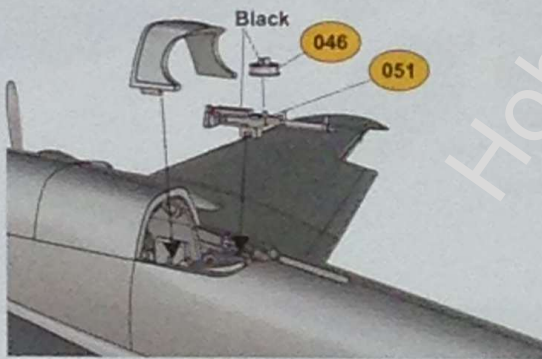
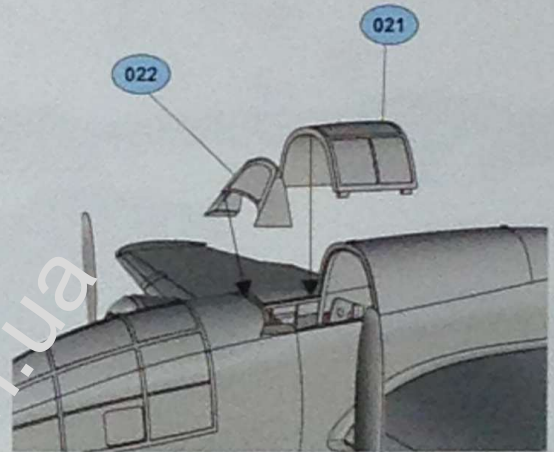
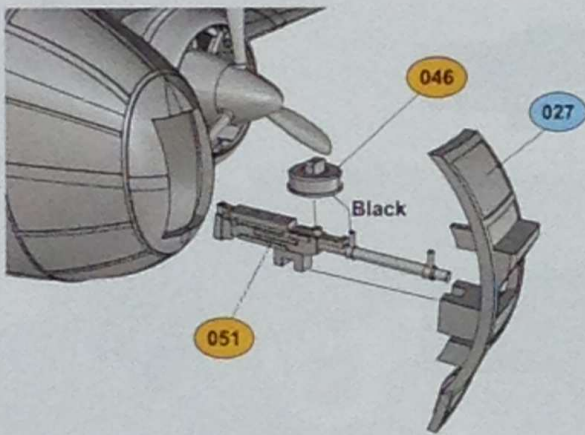
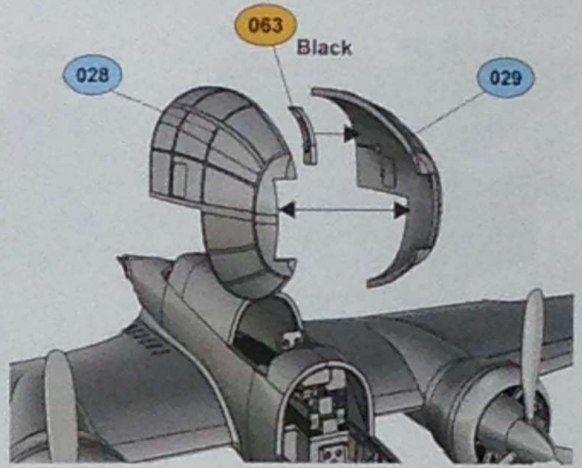
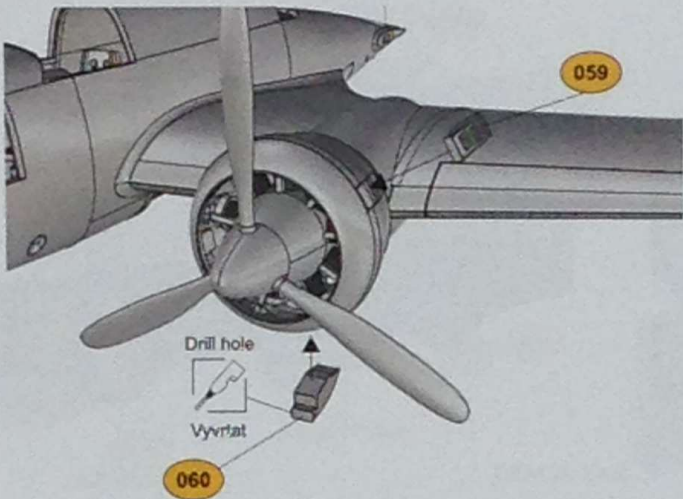
042

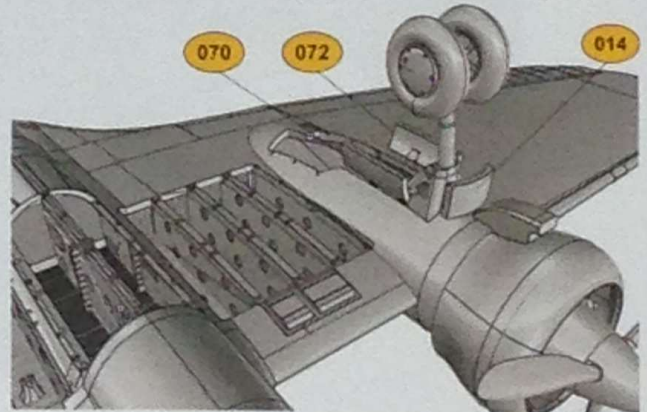
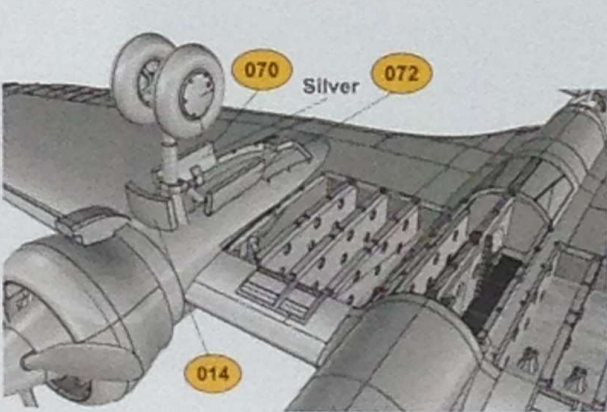
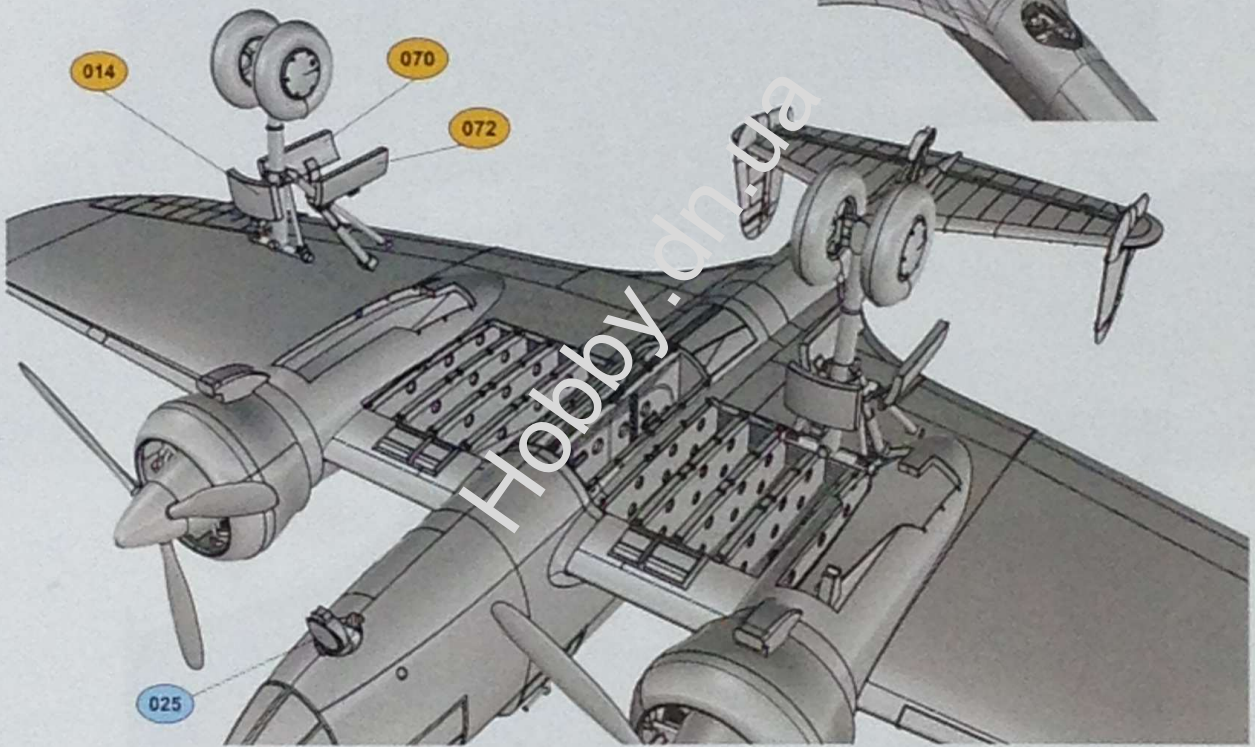
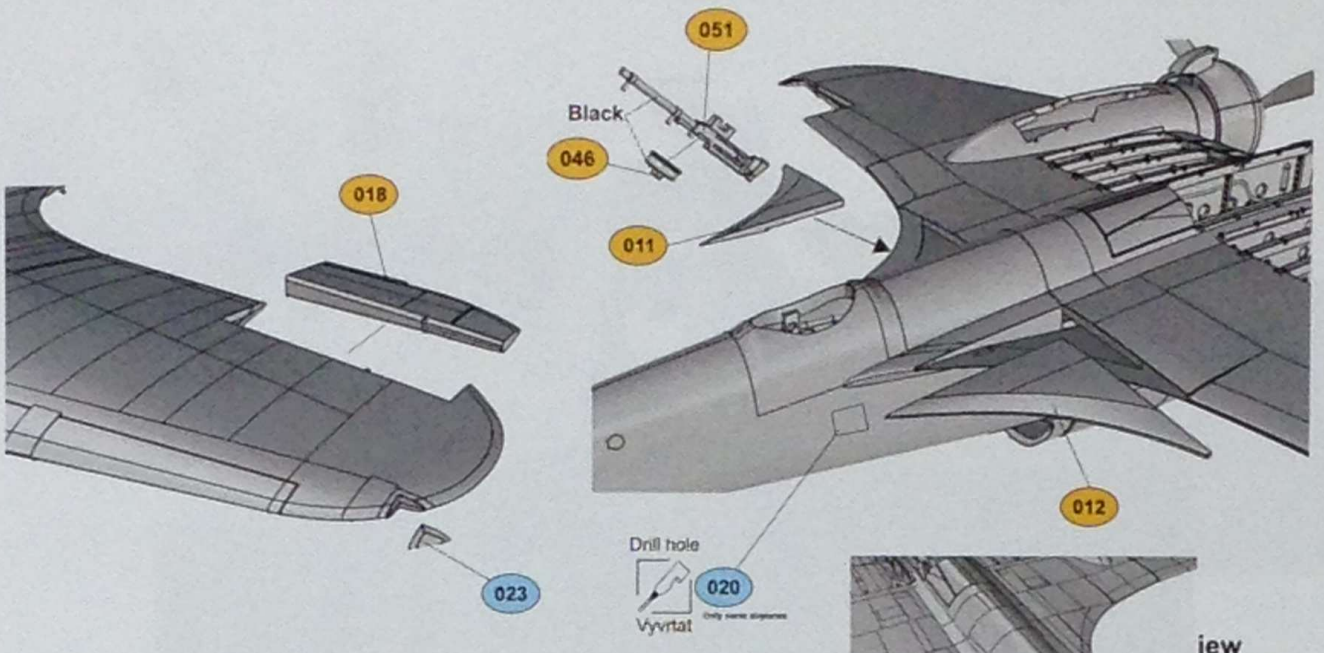
045

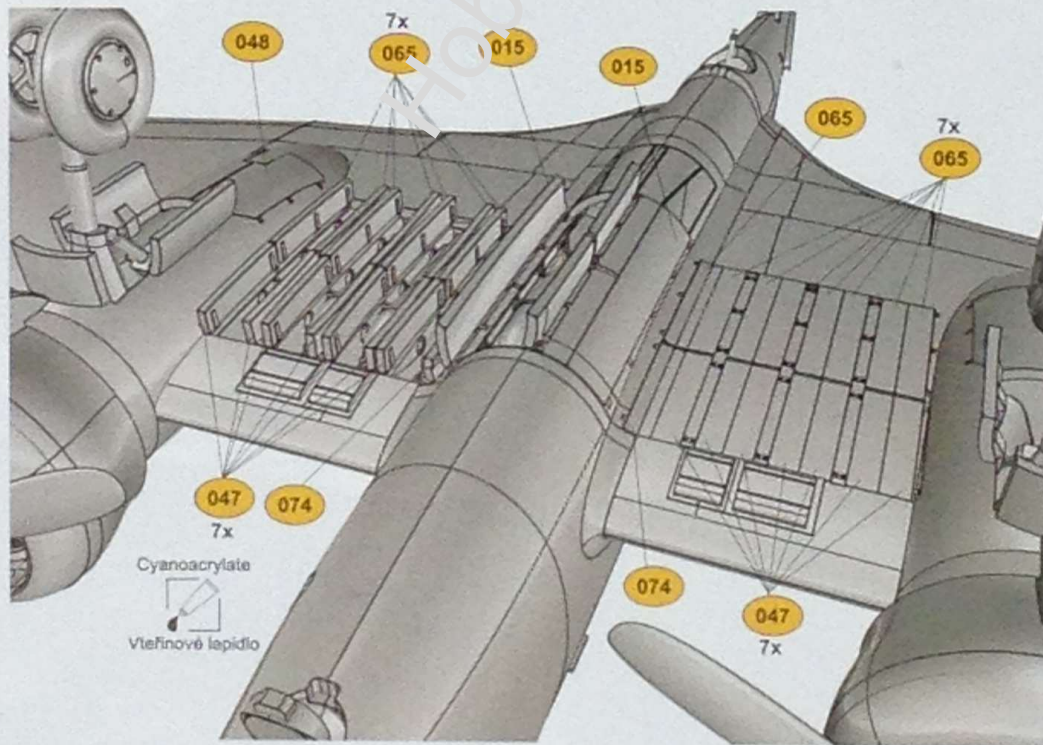
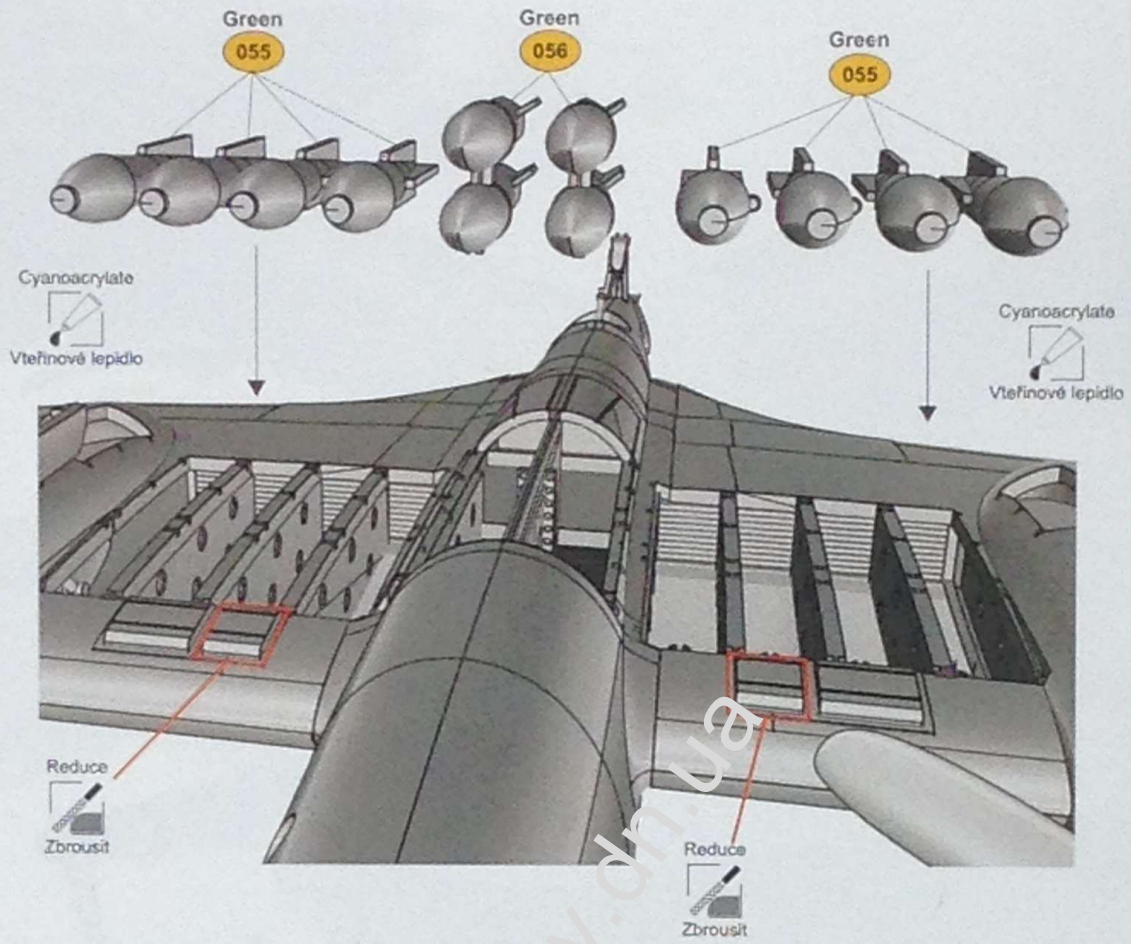
035

044

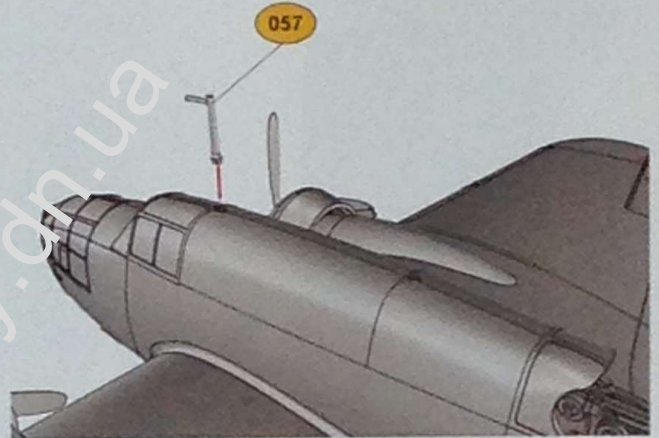
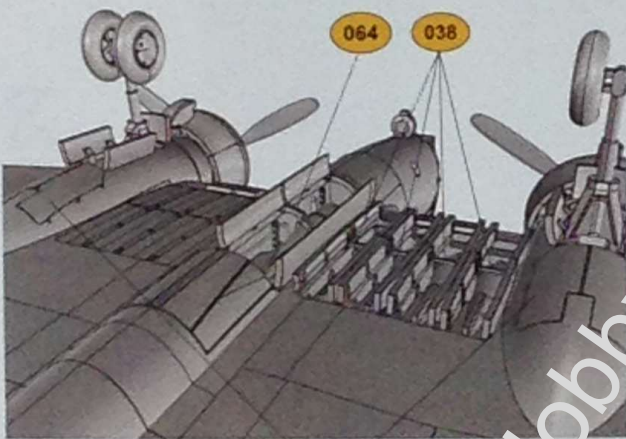
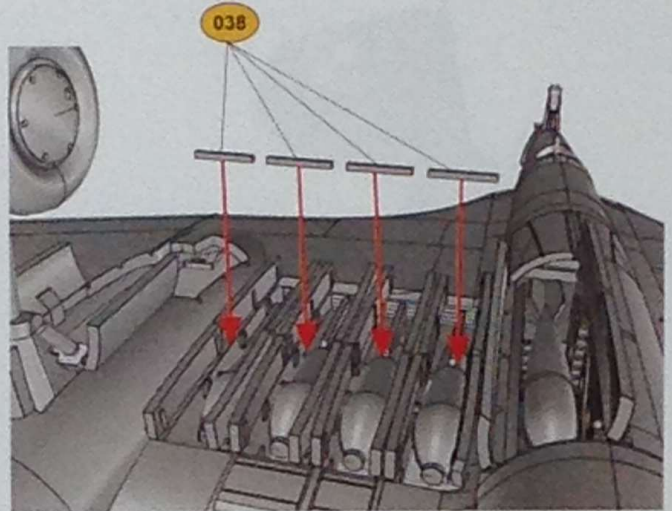
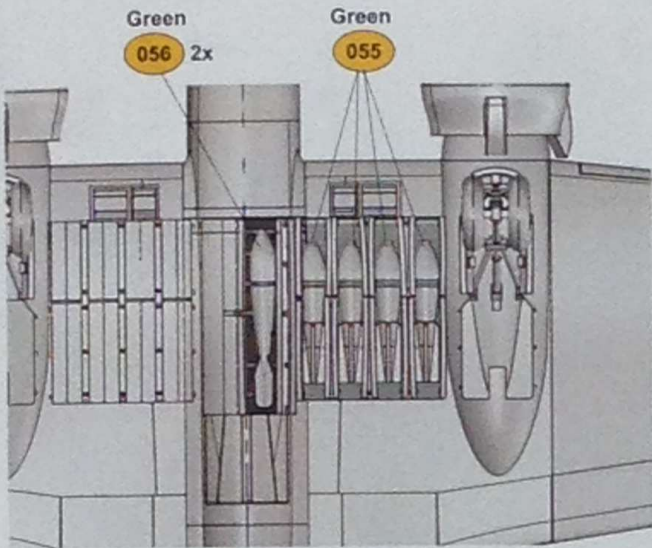
040









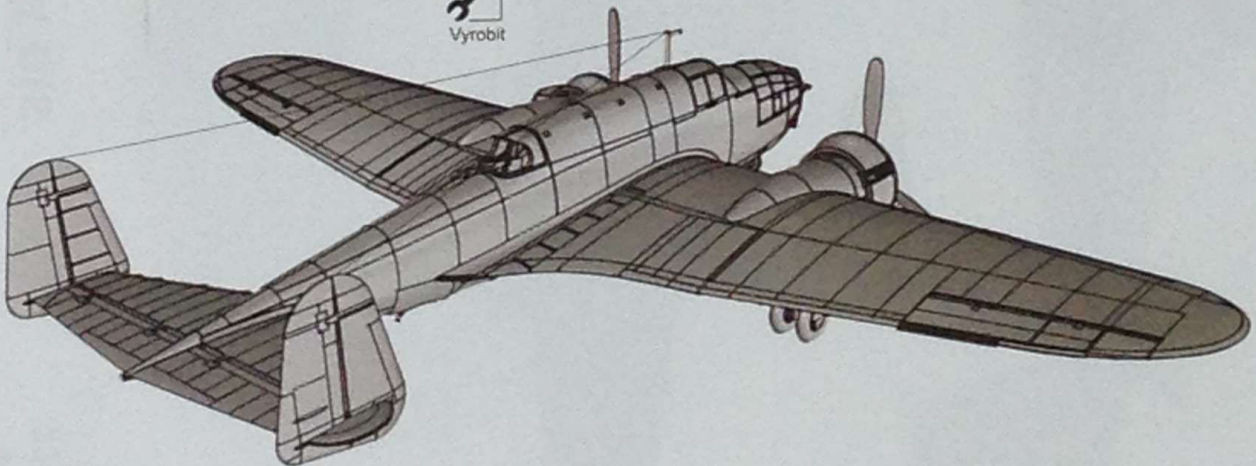


048

Make new



Vyrobot



Humbrol 155 47 67

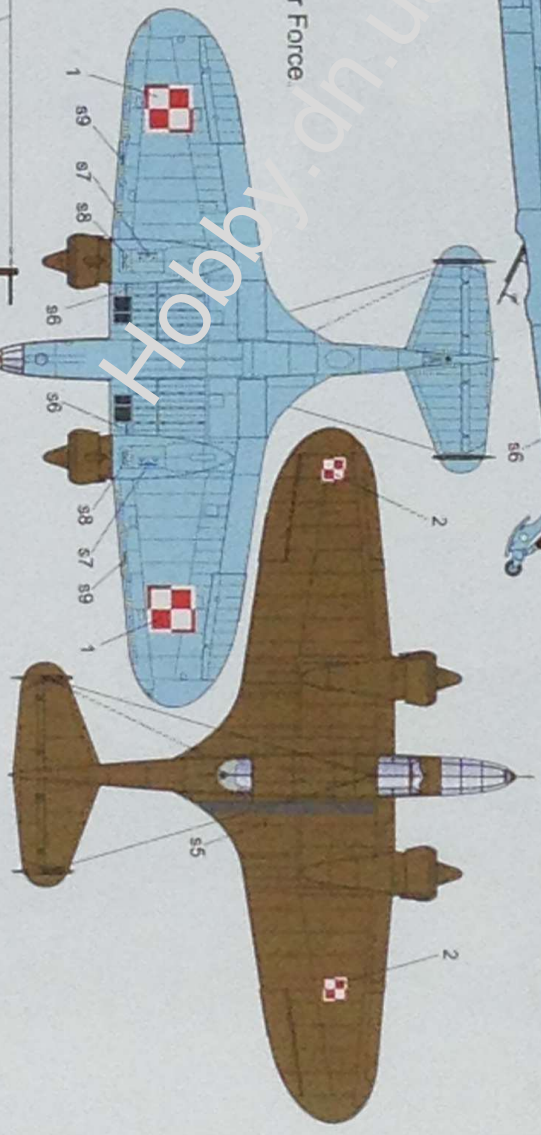
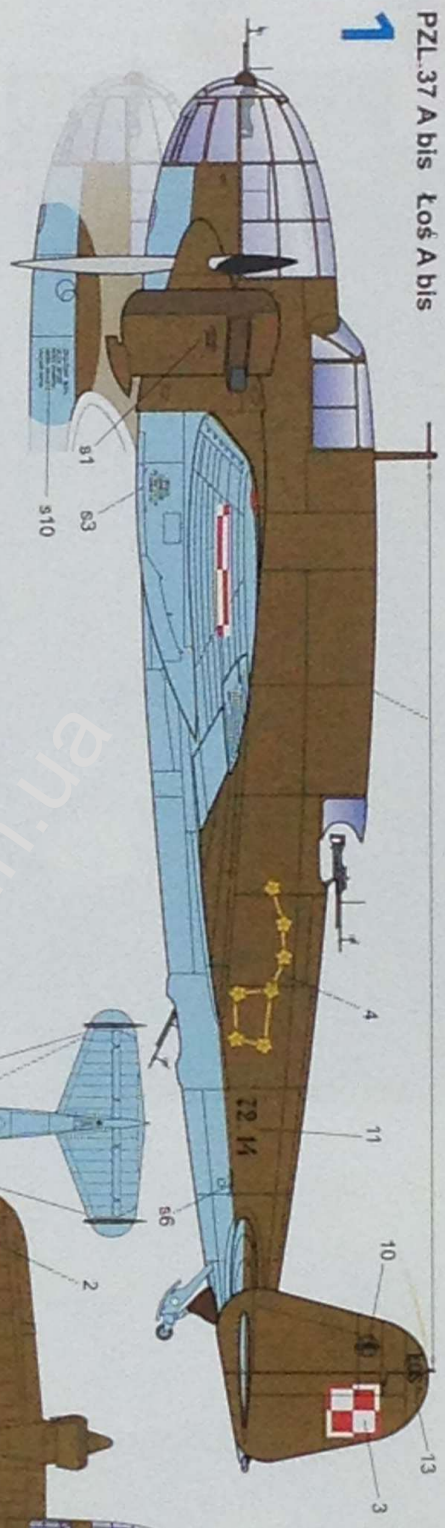


736 4145 2004

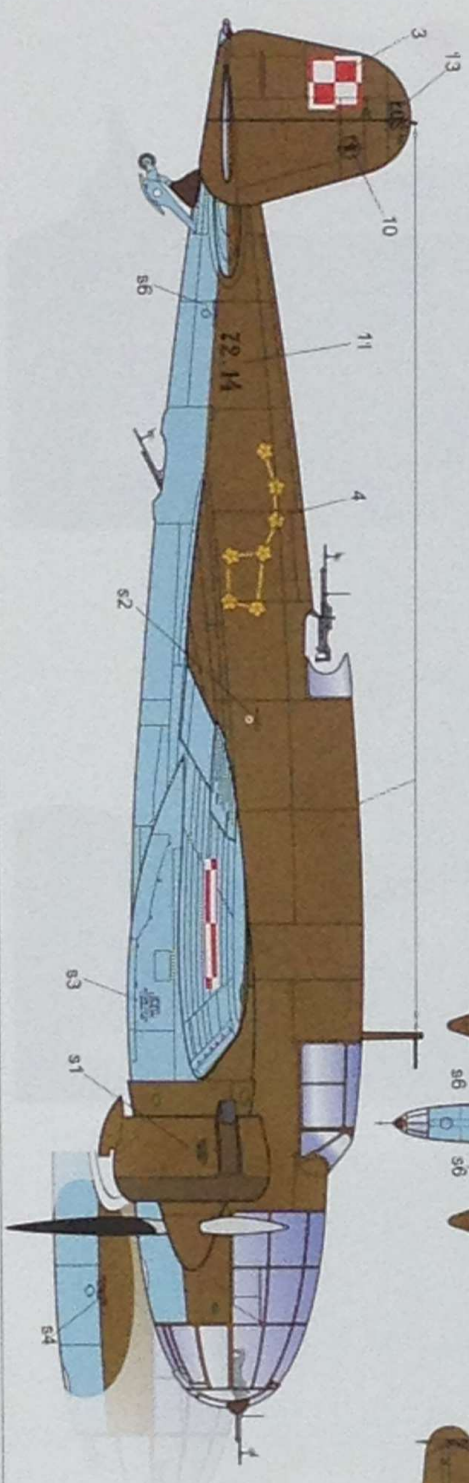
# PZL.37 A bis - Łoś A bis

72041

PZL.37 A bis Łoś A bis

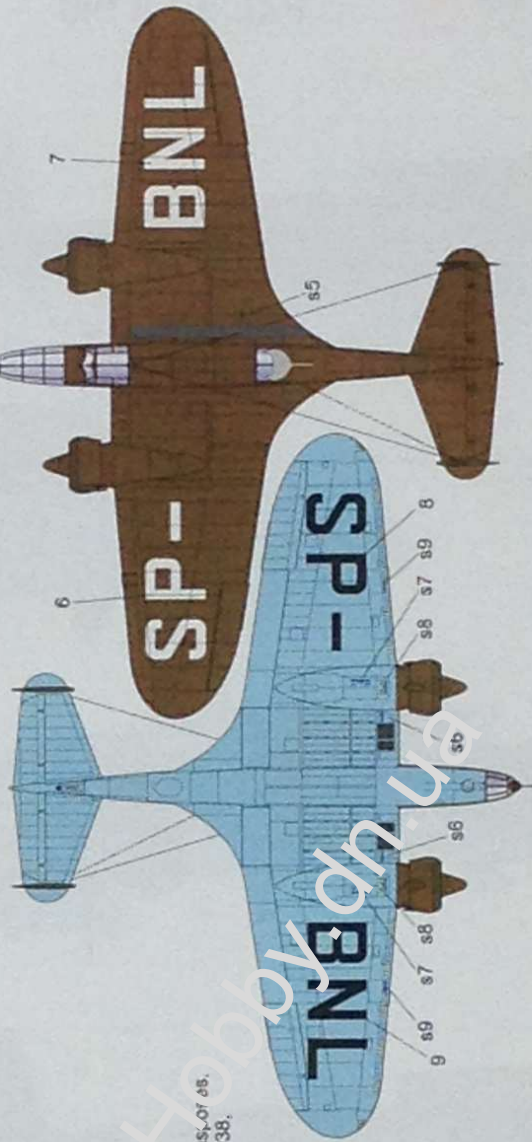
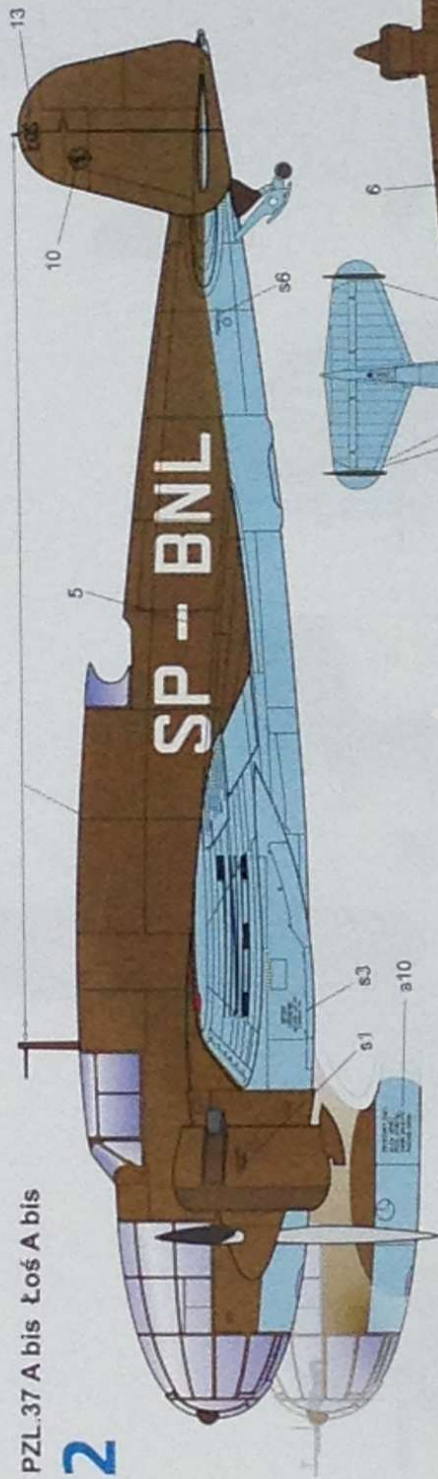


PZL.37 A bis Łoś A bis, no 72 14, 212th Bomb Flight, Polish Air Force

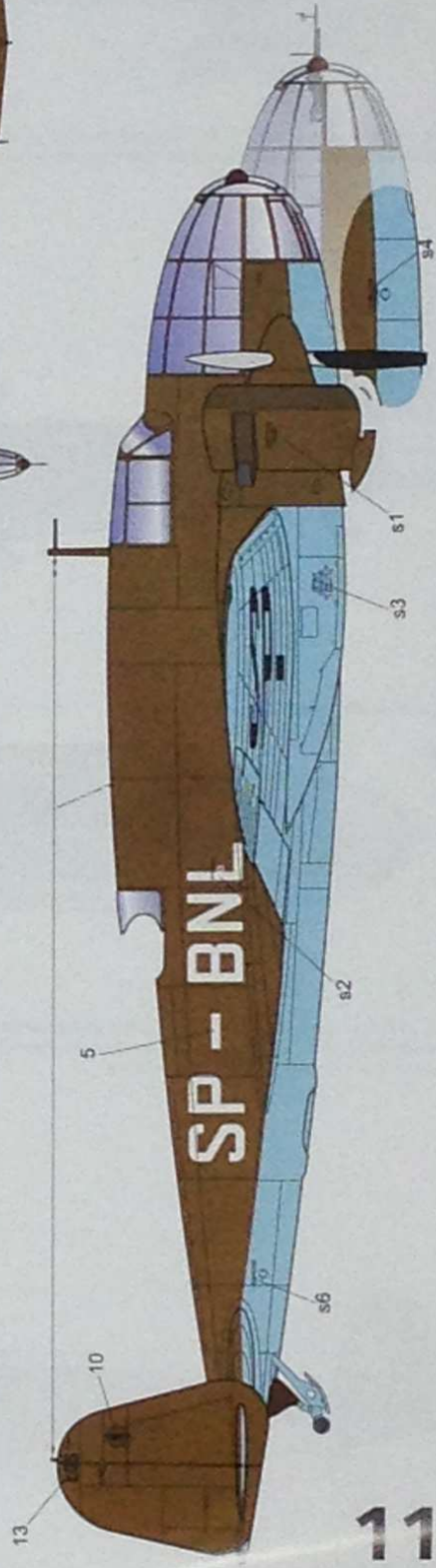


PZL.37 A bis Łoś A bis

2



The first production PZL.37A bis (Łoś A bis), earmarked for propaganda-marketing purposes, initially flew with the civil registration SP-BNL. Appearance of the aeroplane in June 1938, as displayed at the air show in Belgrade.



11

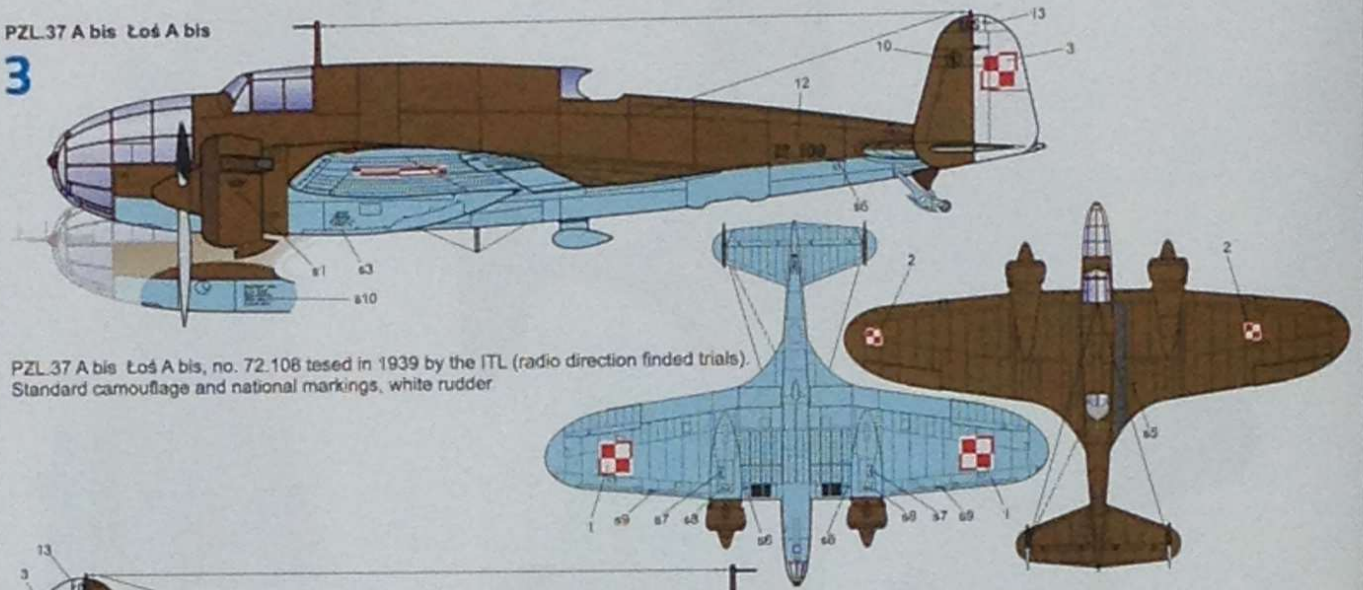
Humbrol	155	47	34	87	30	20	154
	736	4145	738	2004	2011	2012	2065

# PZL.37 A bis - łoś A bis

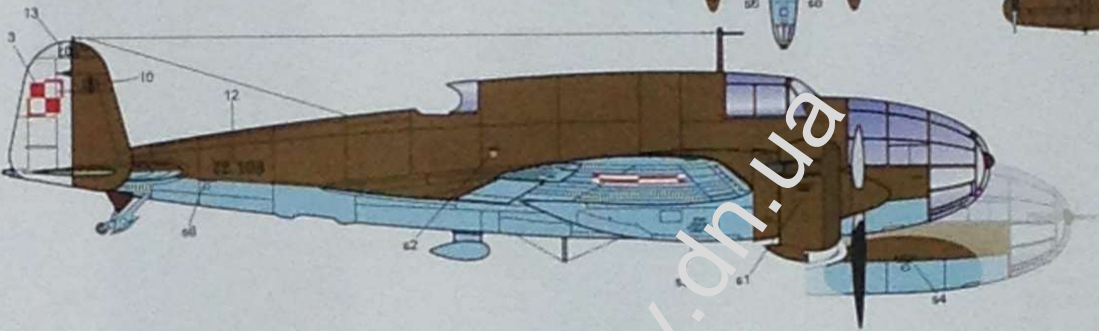
Fly  
72041

PZL.37 A bis łoś A bis

3

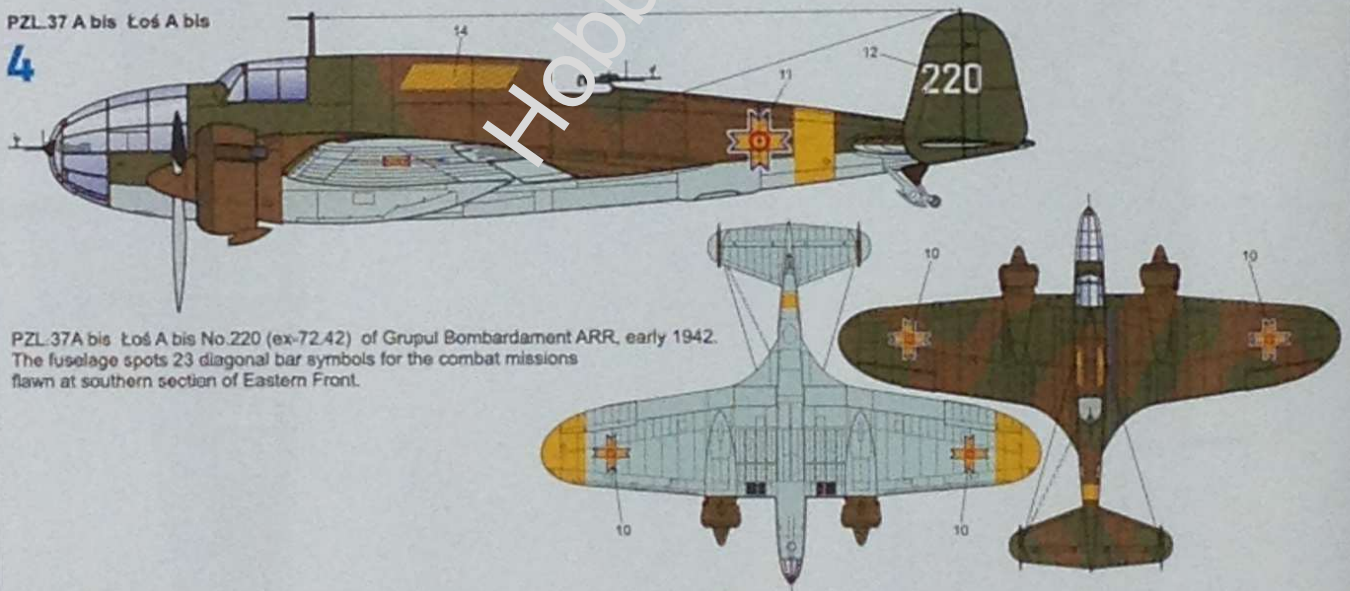


PZL.37 A bis łoś A bis, no. 72.108 tested in 1939 by the ITL (radio direction finding trials).  
Standard camouflage and national markings, white rudder.

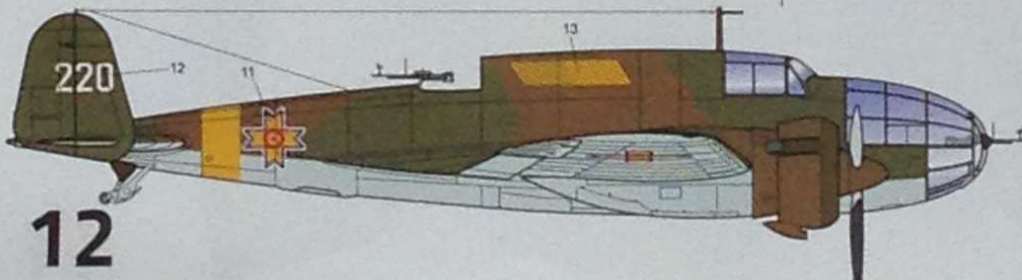


PZL.37 A bis łoś A bis

4



PZL.37A bis łoś A bis No.220 (ex-72.42) of Grupul Bombardament ARR, early 1942.  
The fuselage spots 23 diagonal bar symbols for the combat missions flown at southern section of Eastern Front.



12