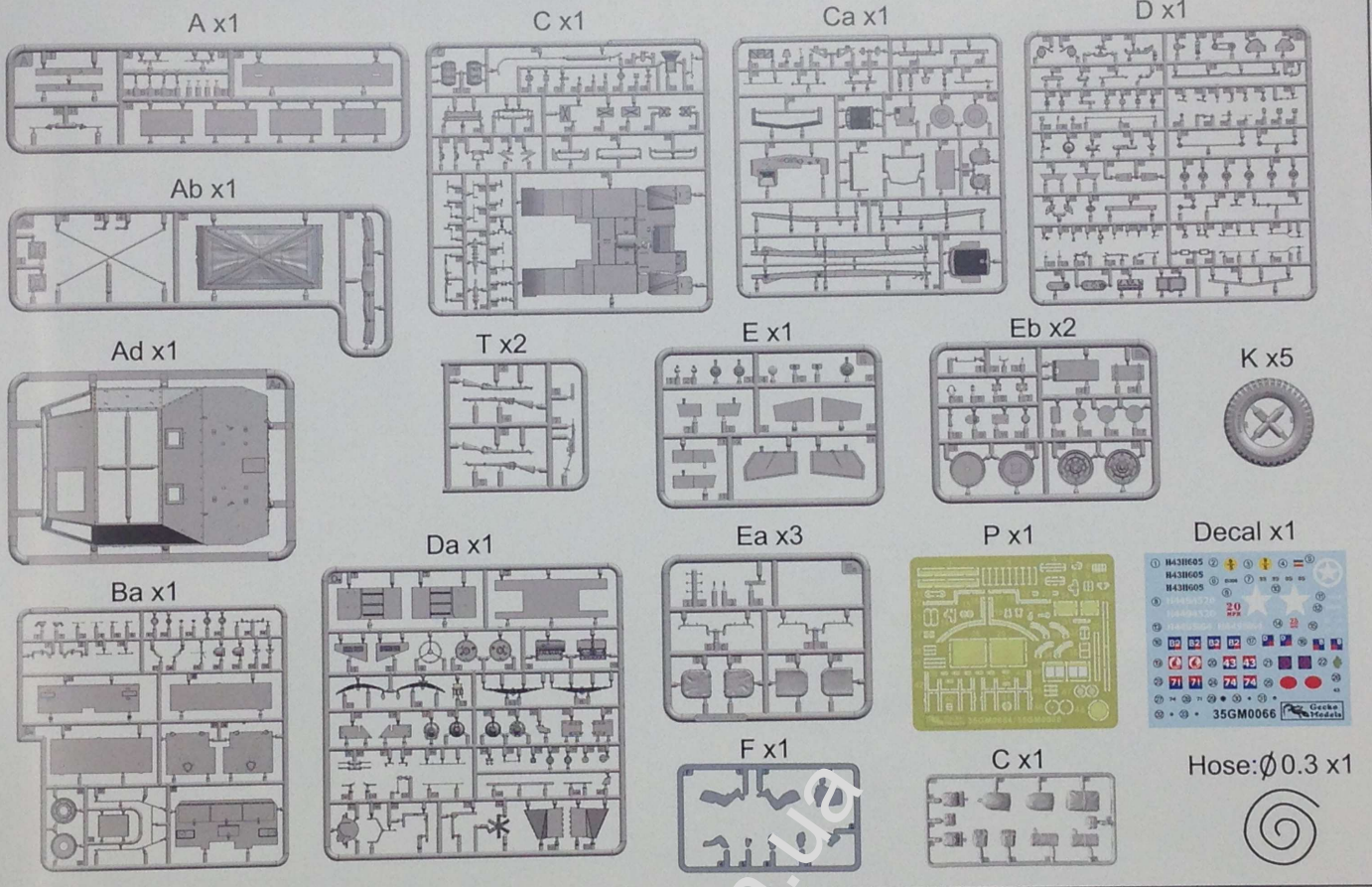
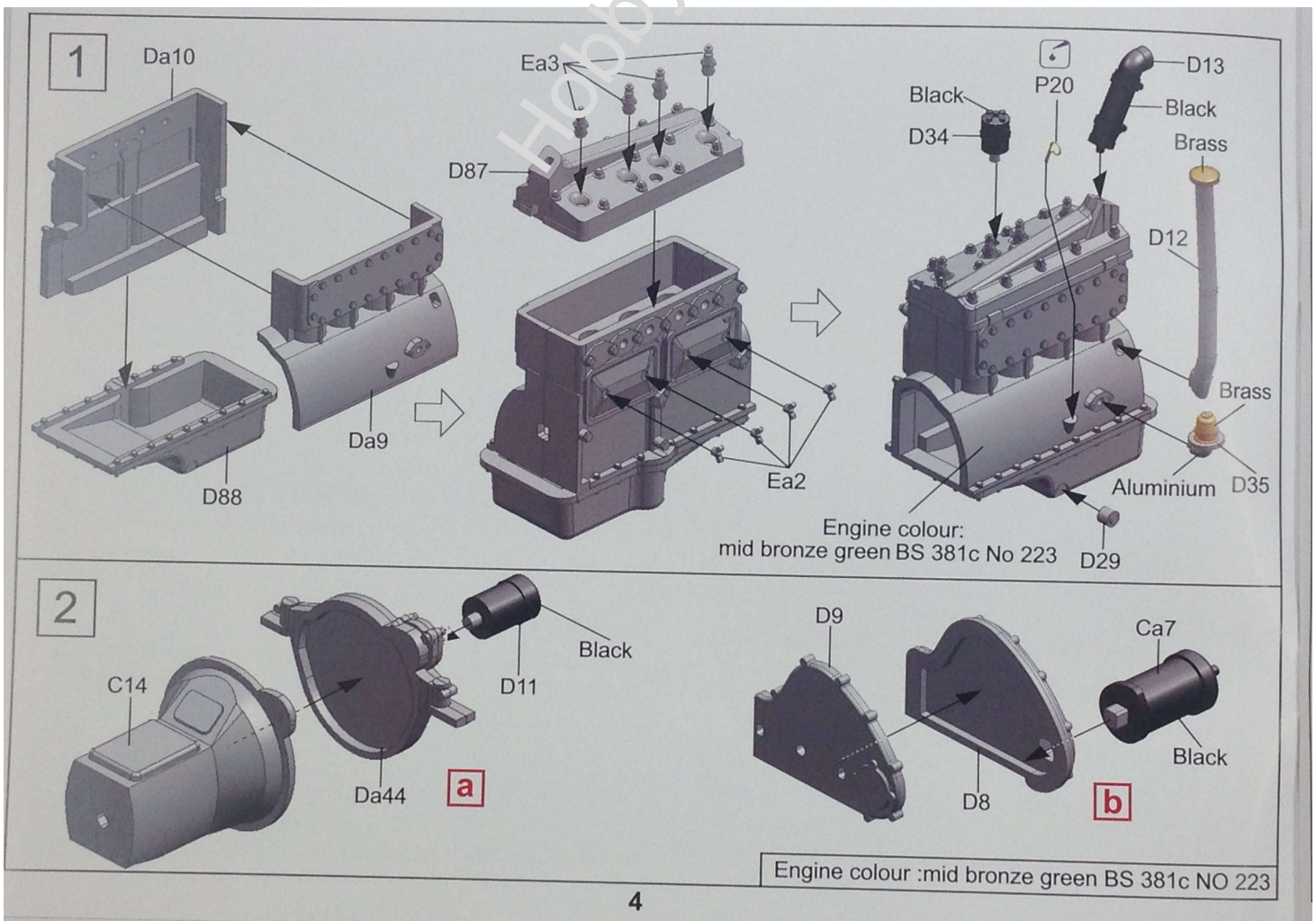


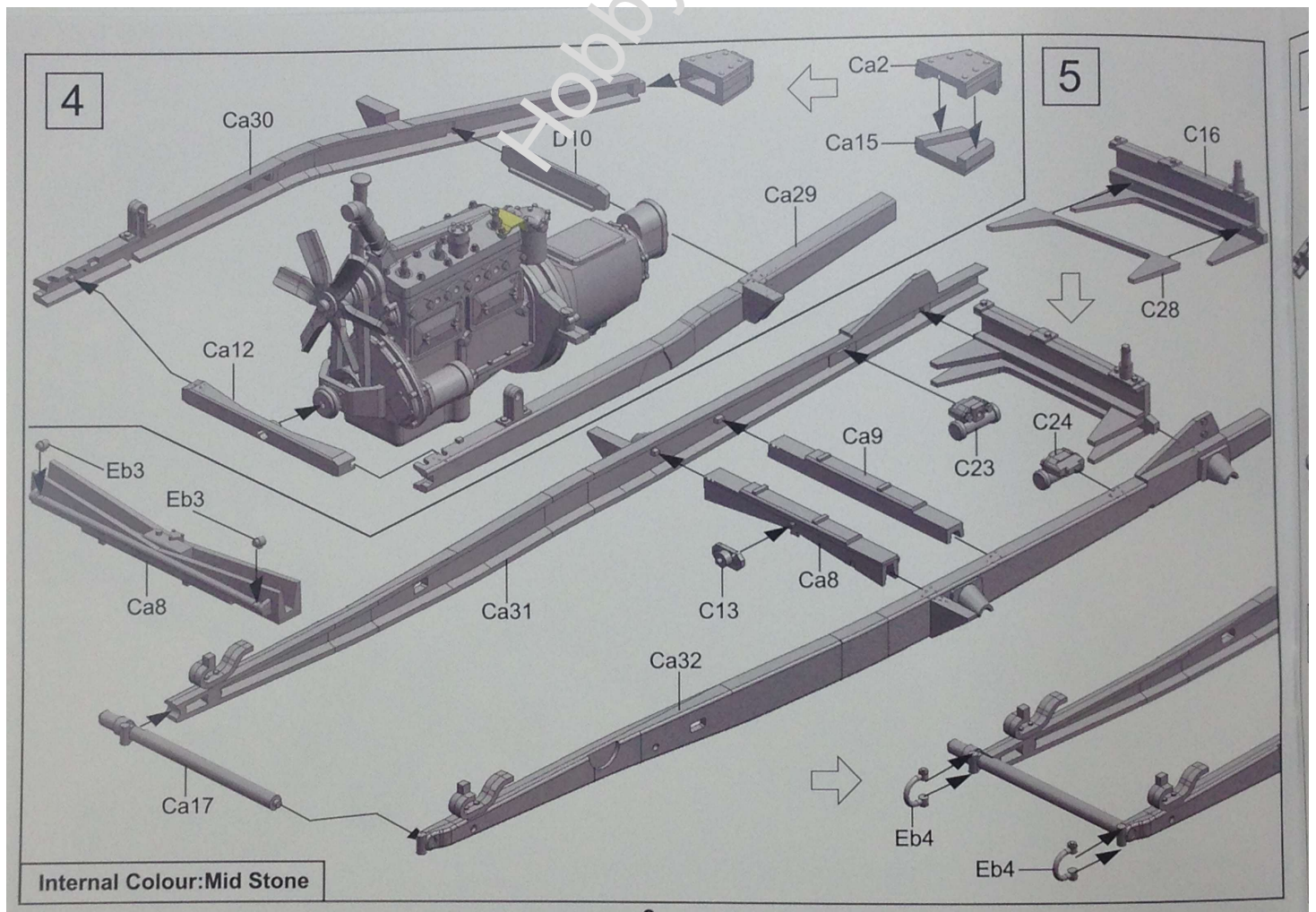
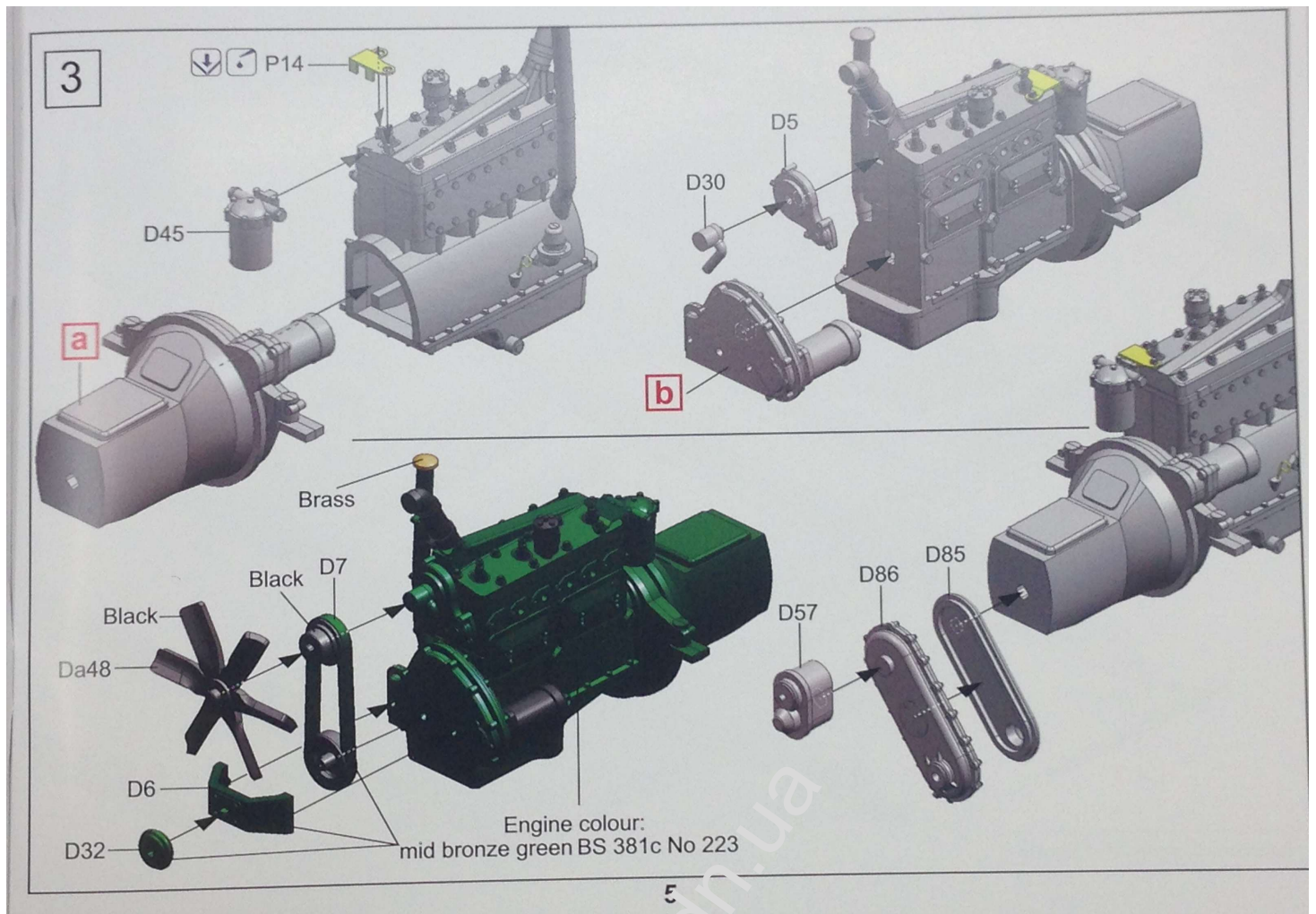
Sprue Parts List

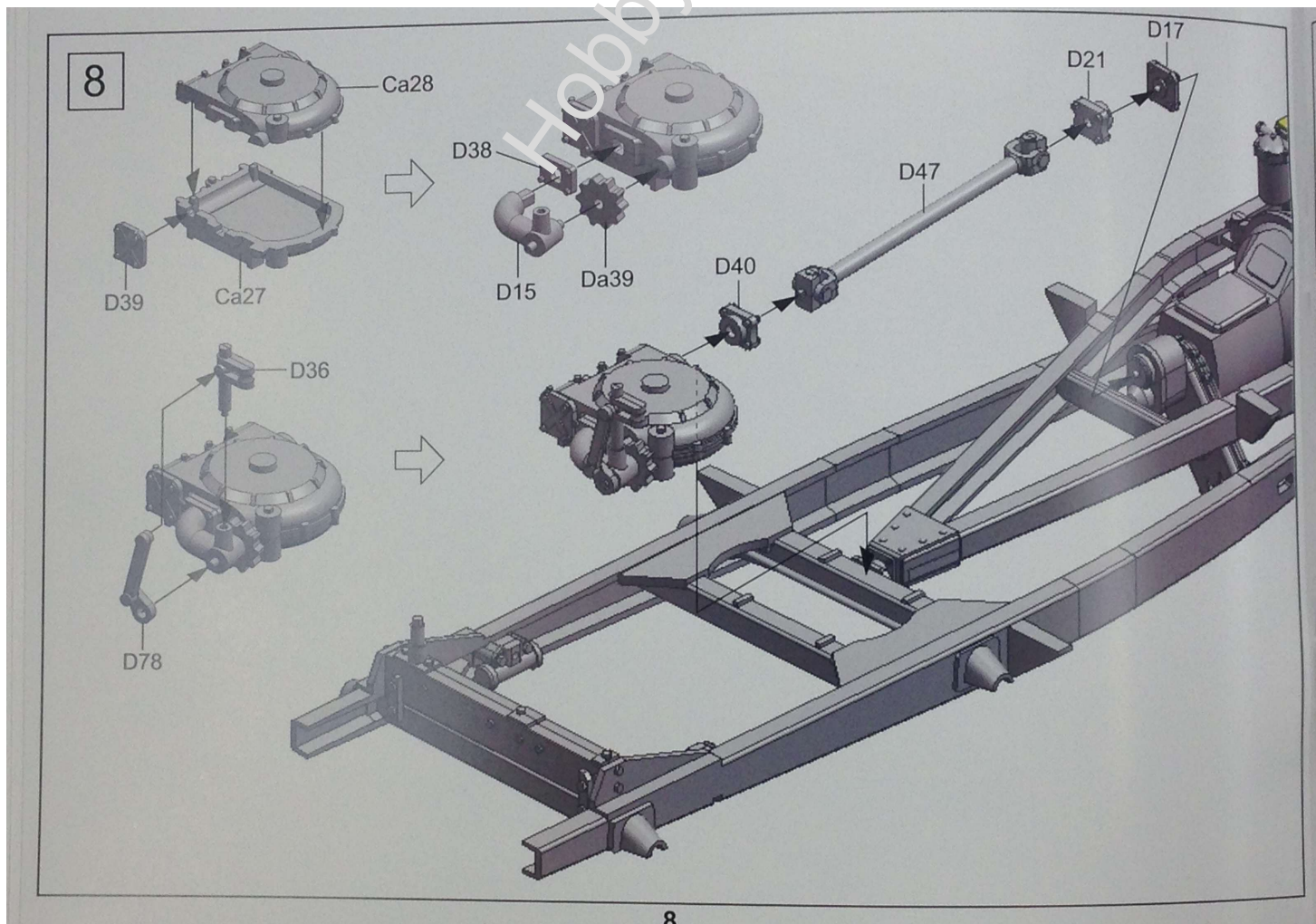
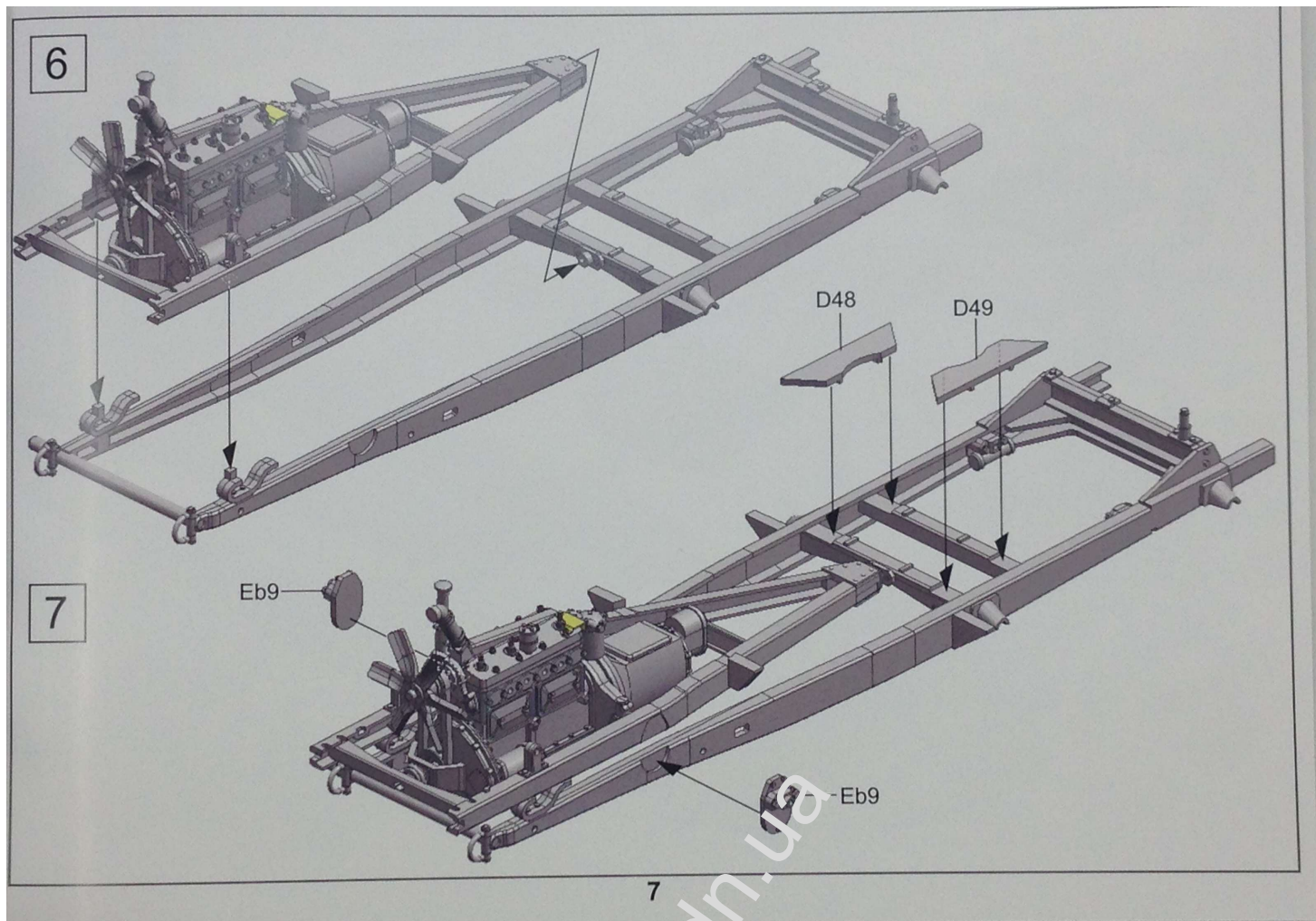


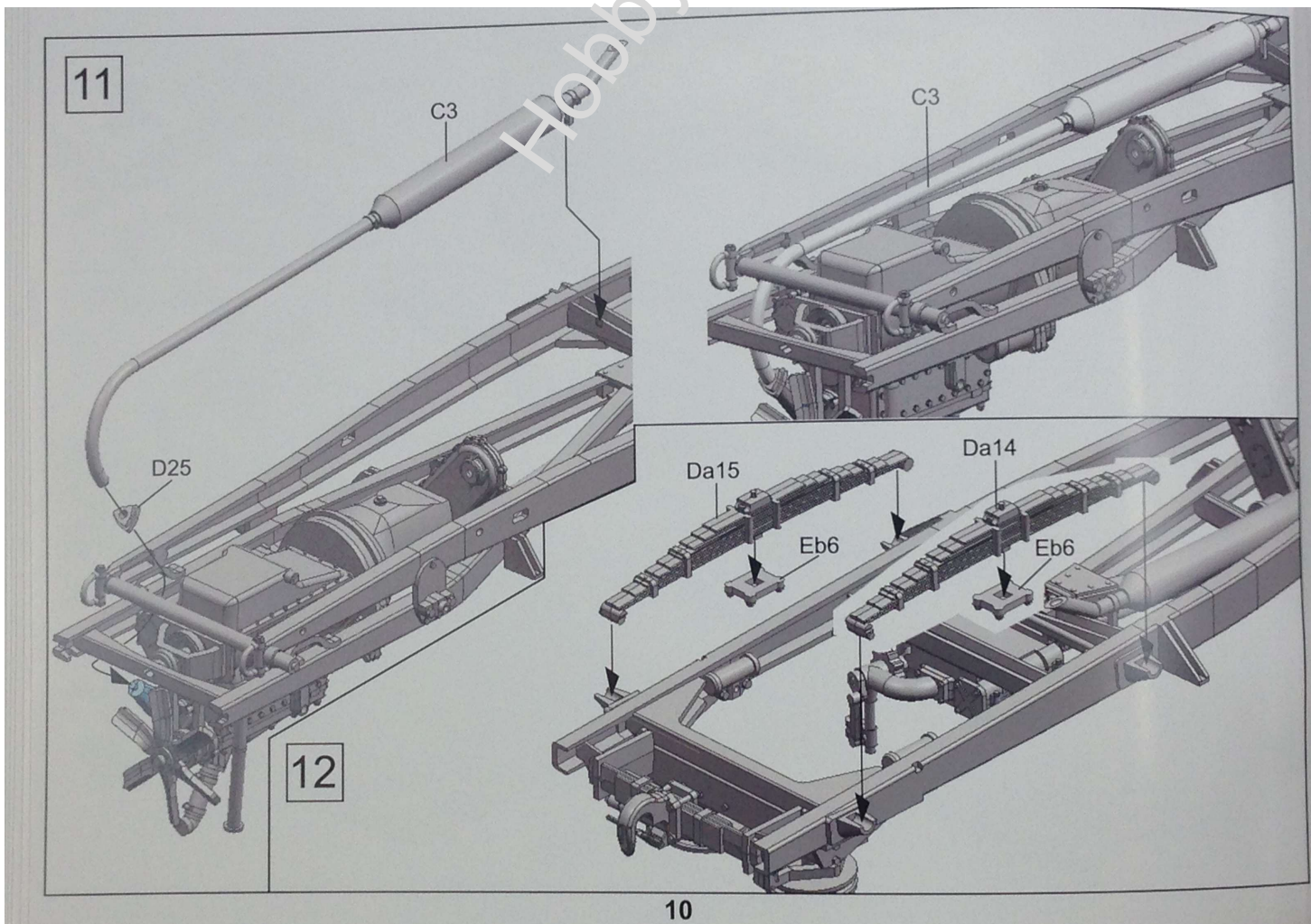
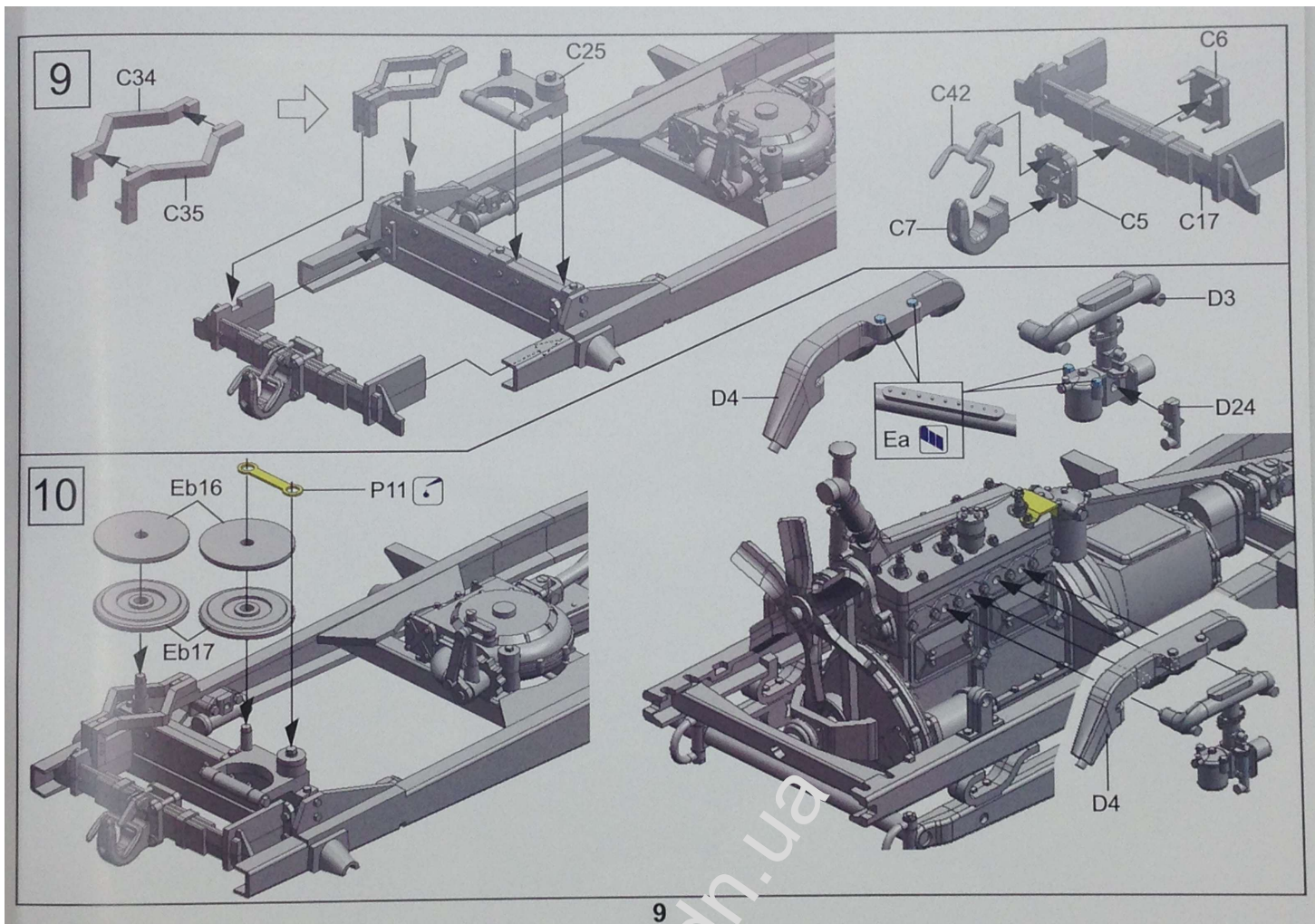
3

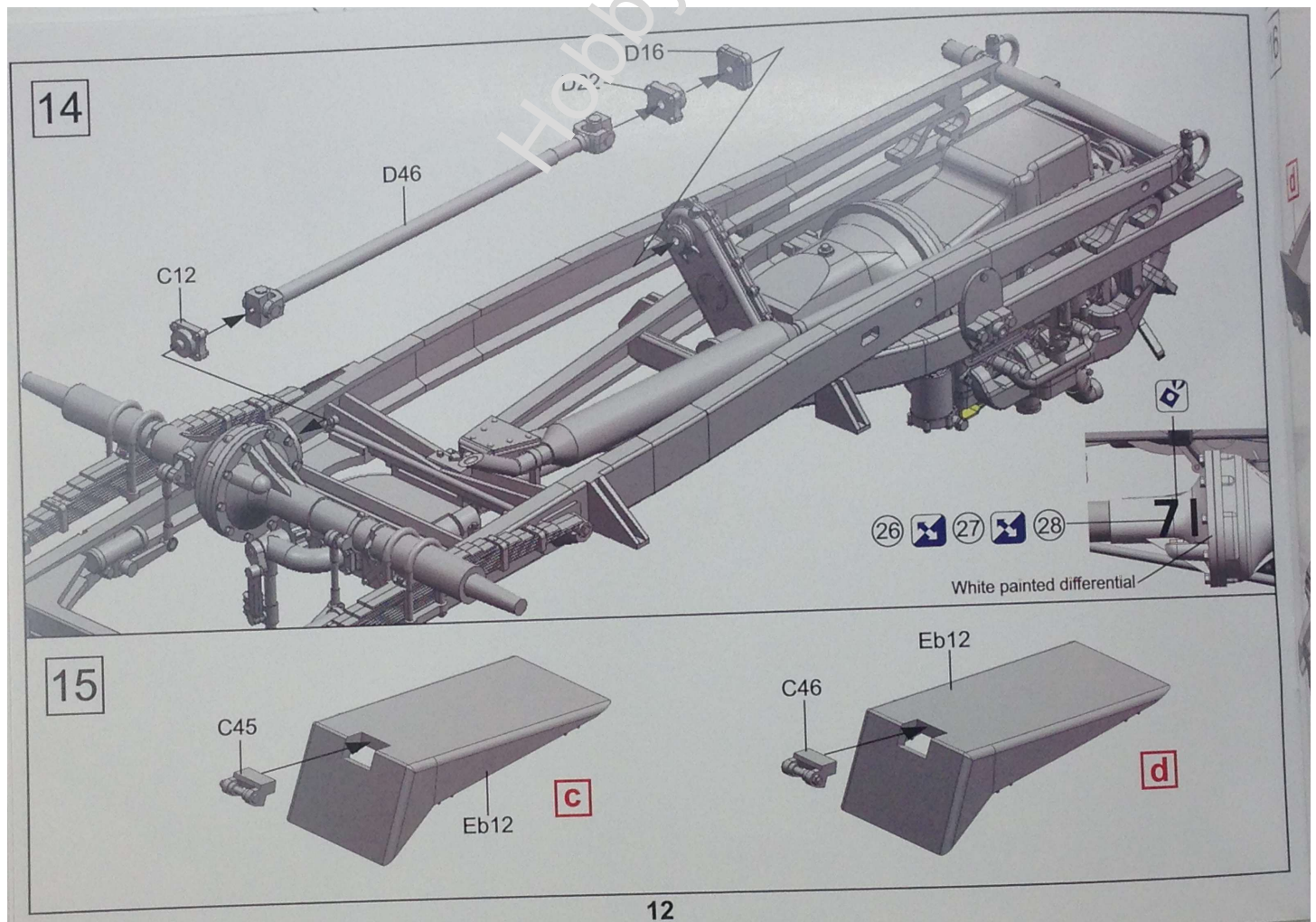
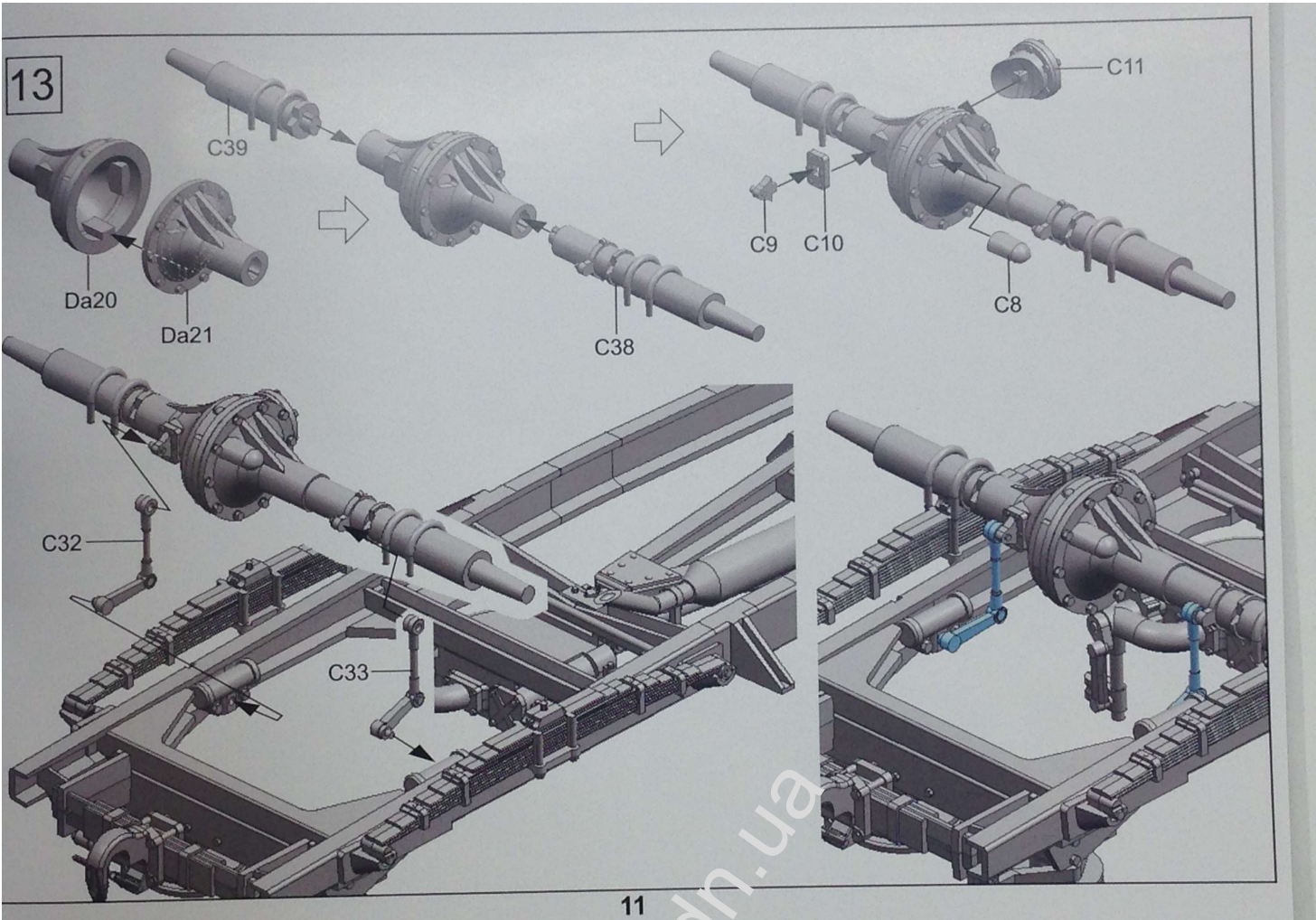


4

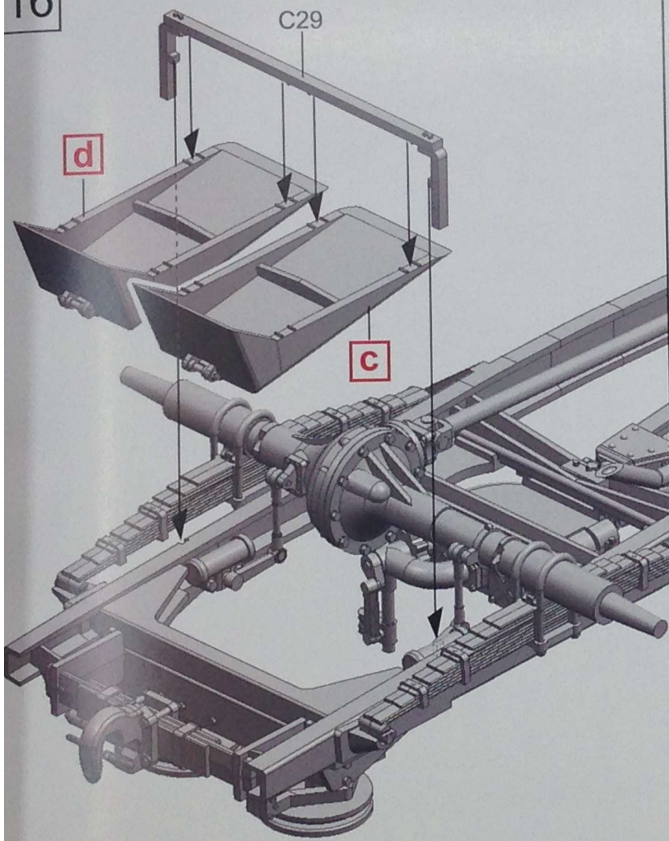




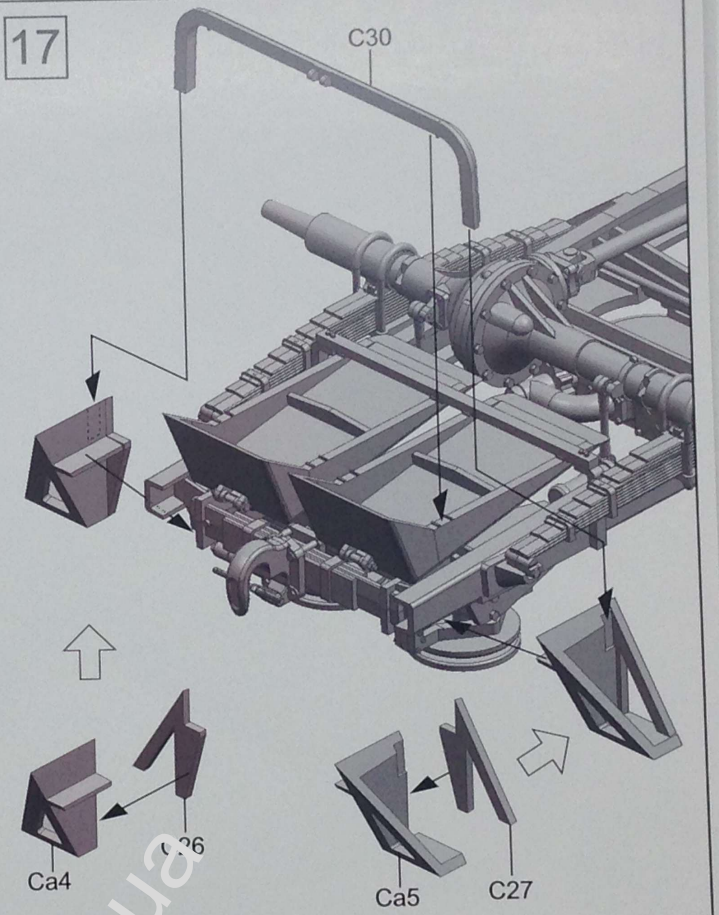




16

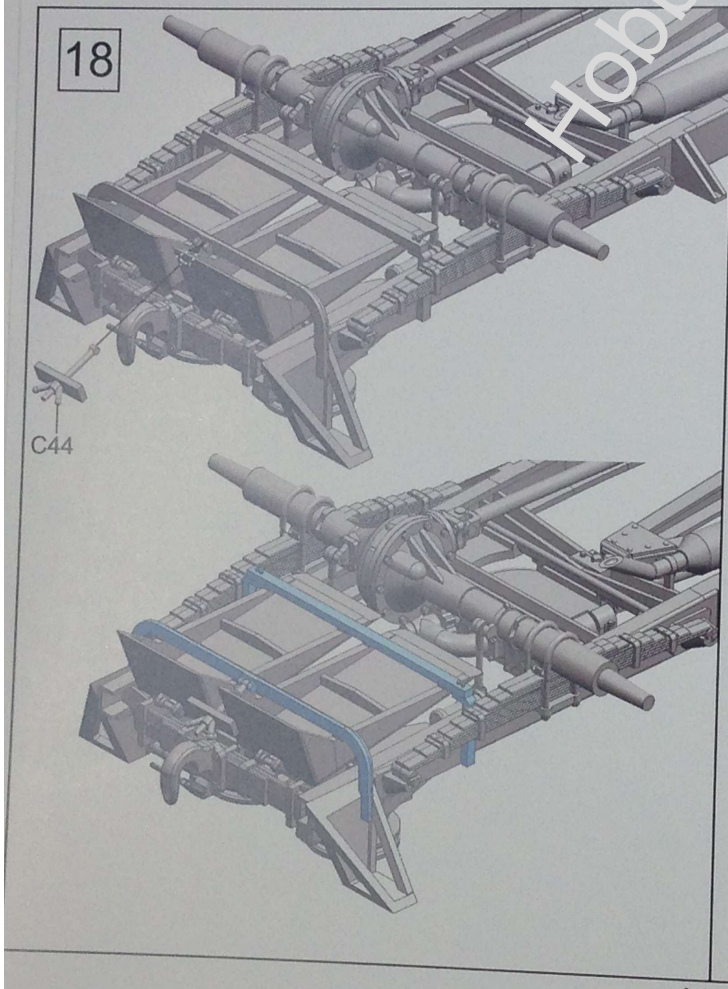


17

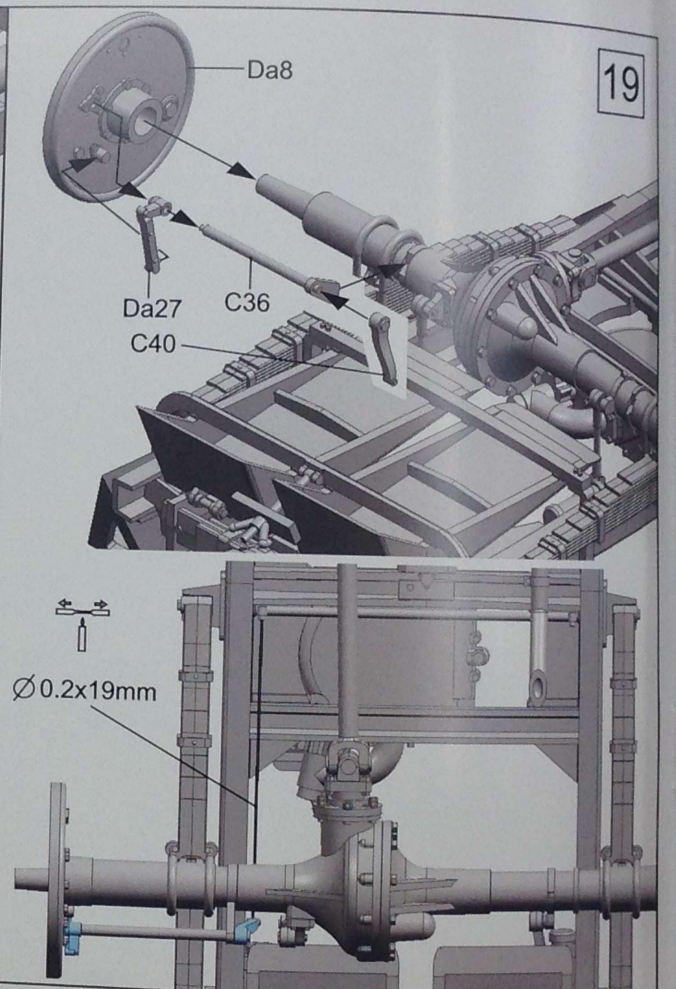


13

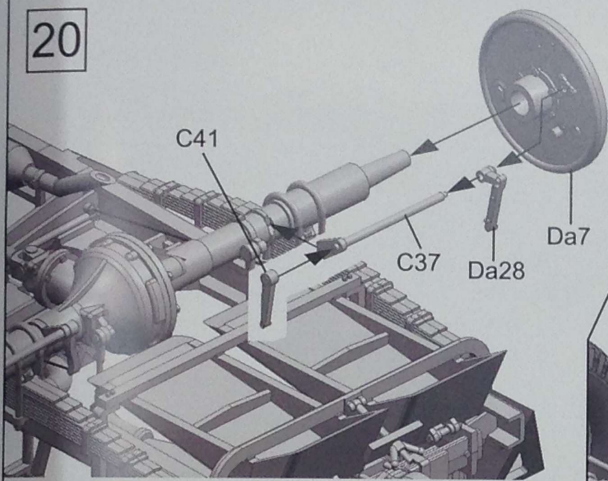
18



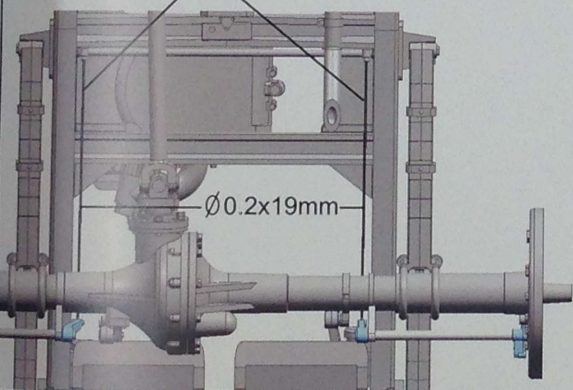
19



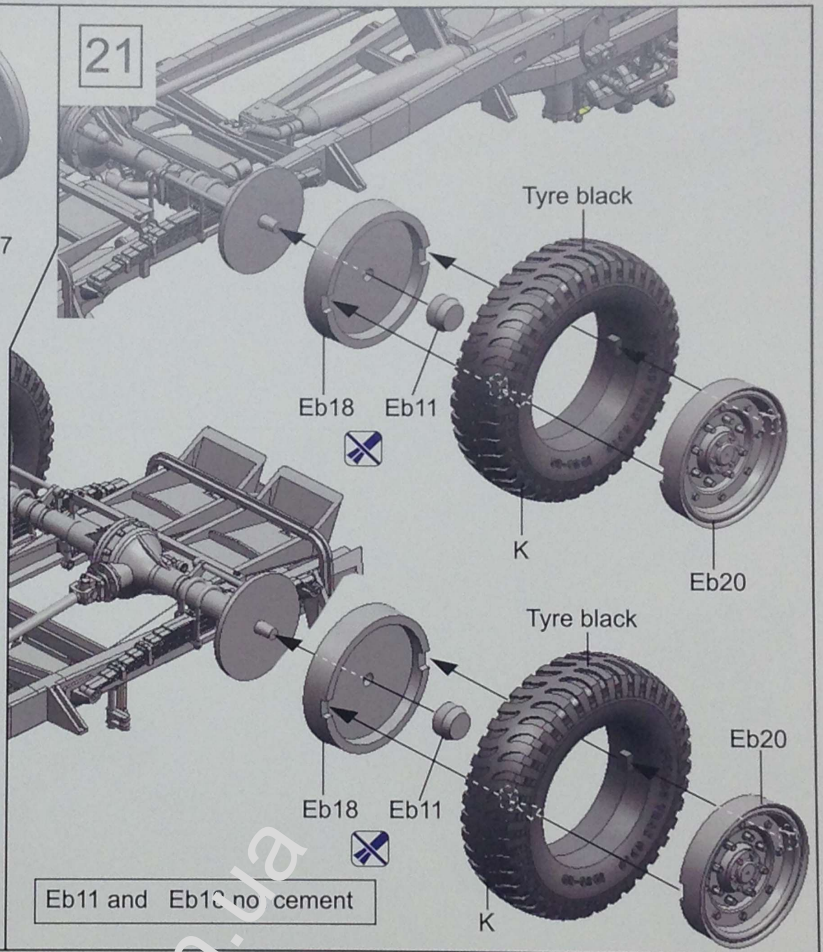
20



Note: To create the antennas, using a small flame, heat and stretch a section of the kit sprue. Use caution with open flame.



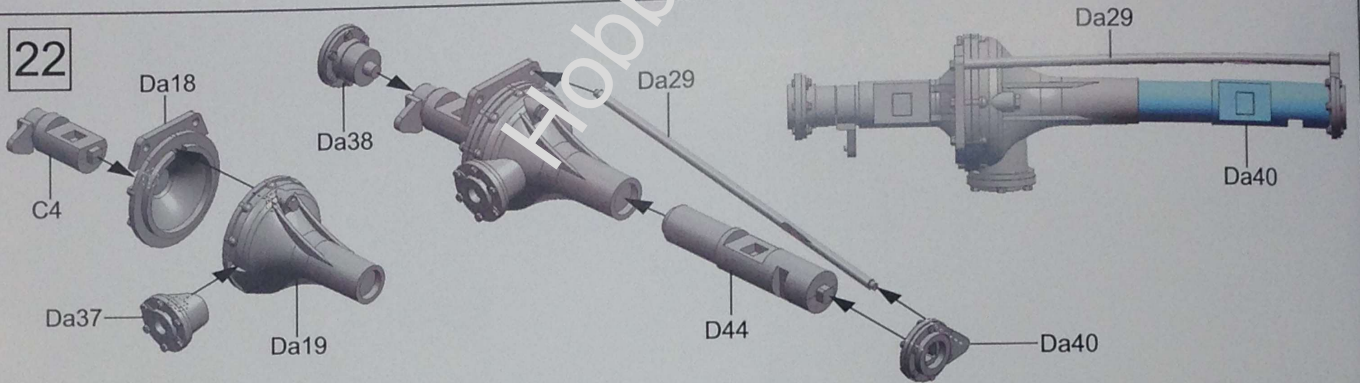
21



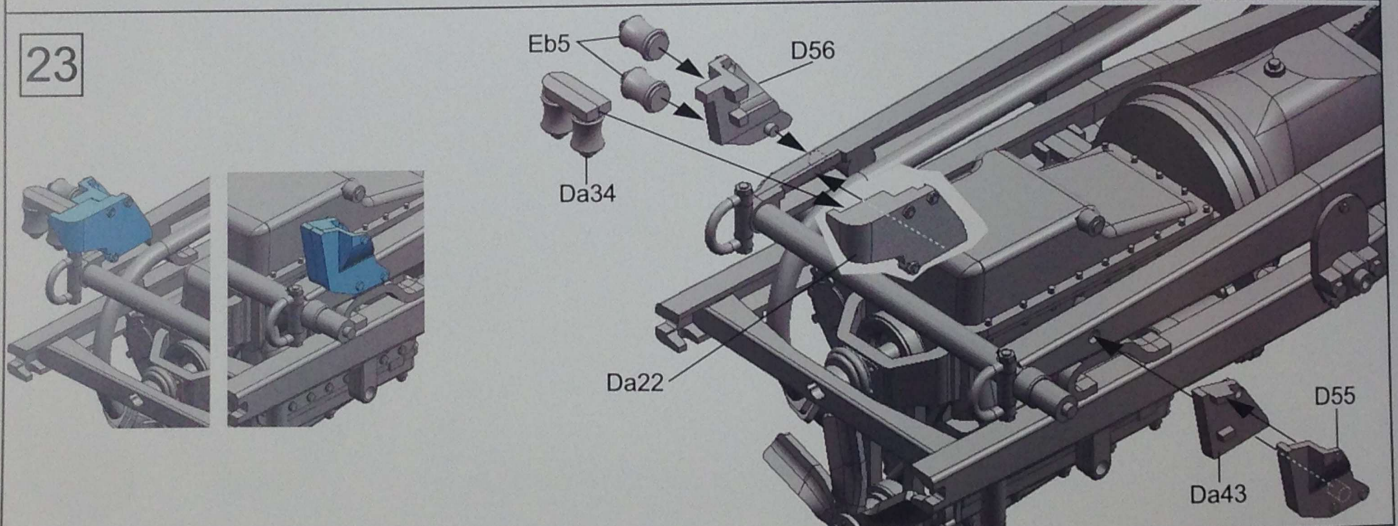
Eb11 and Eb1C no cement

15

22

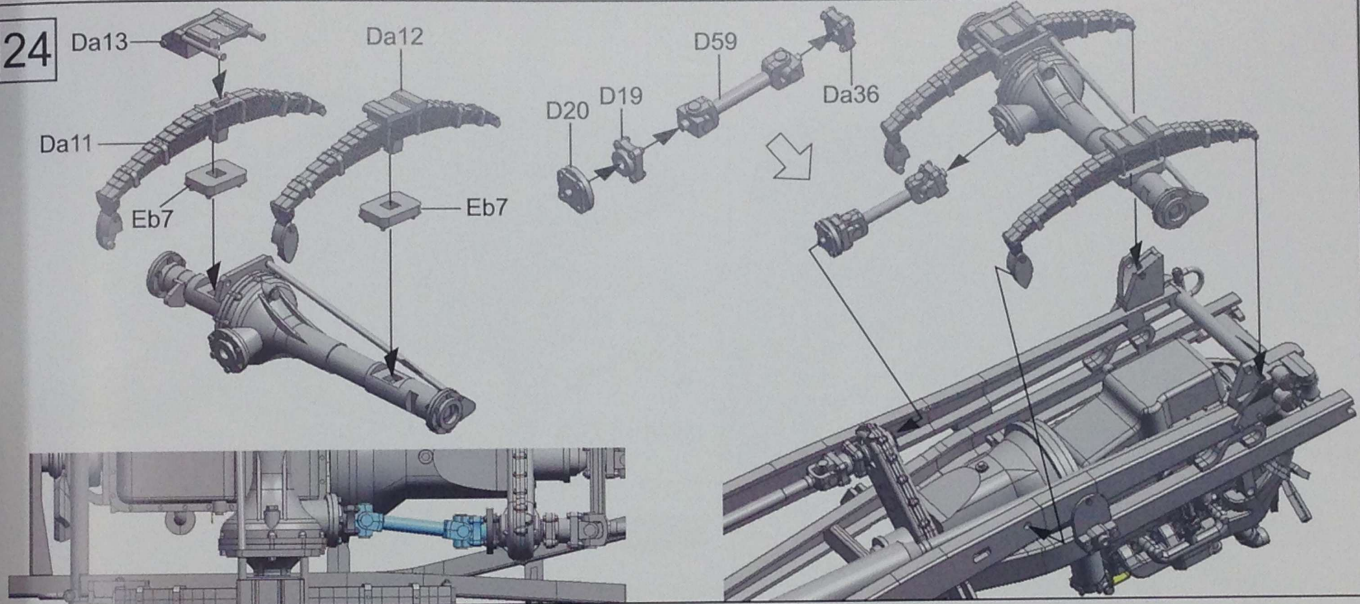


23

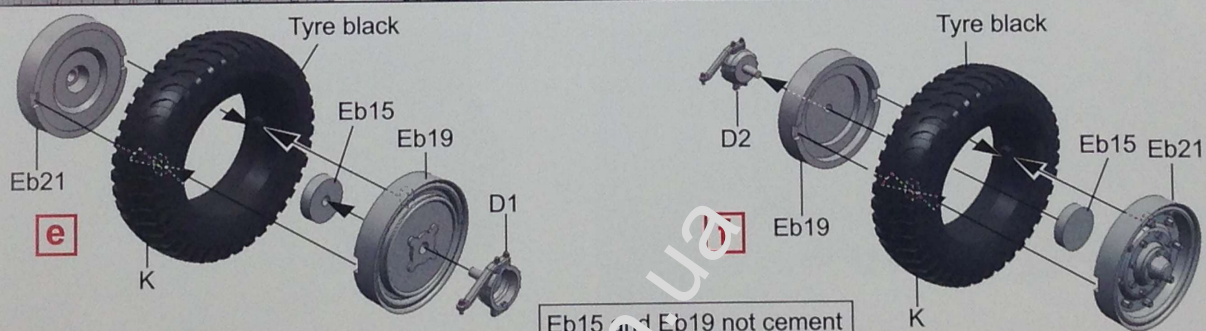


16

24



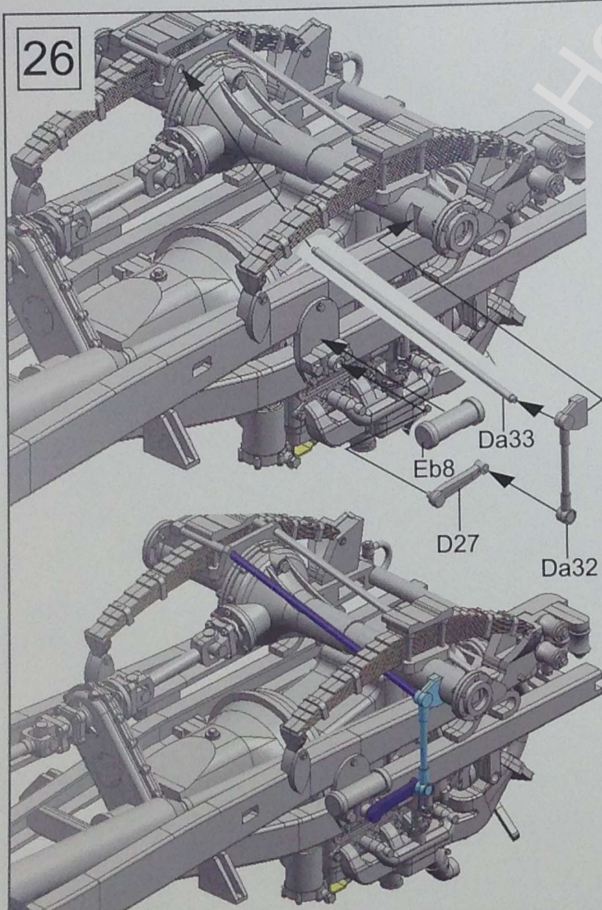
25



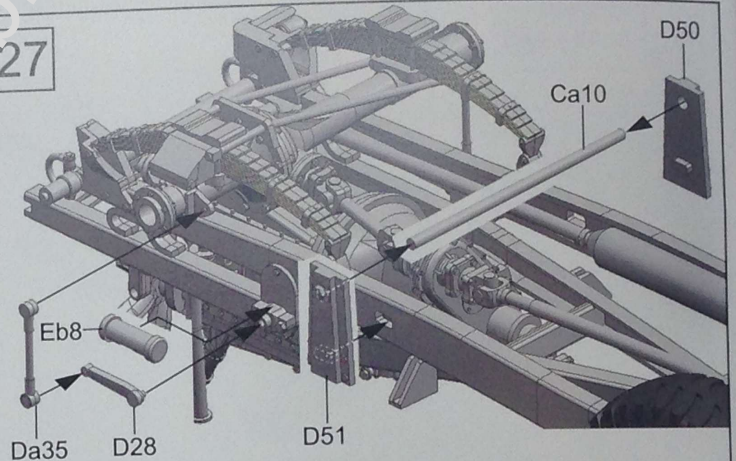
Eb15 and Eb19 not cement

17

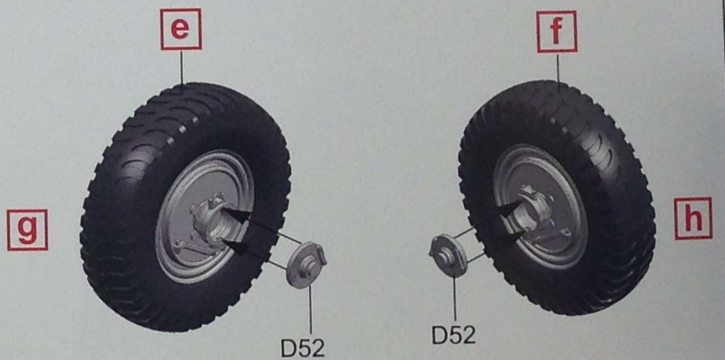
26



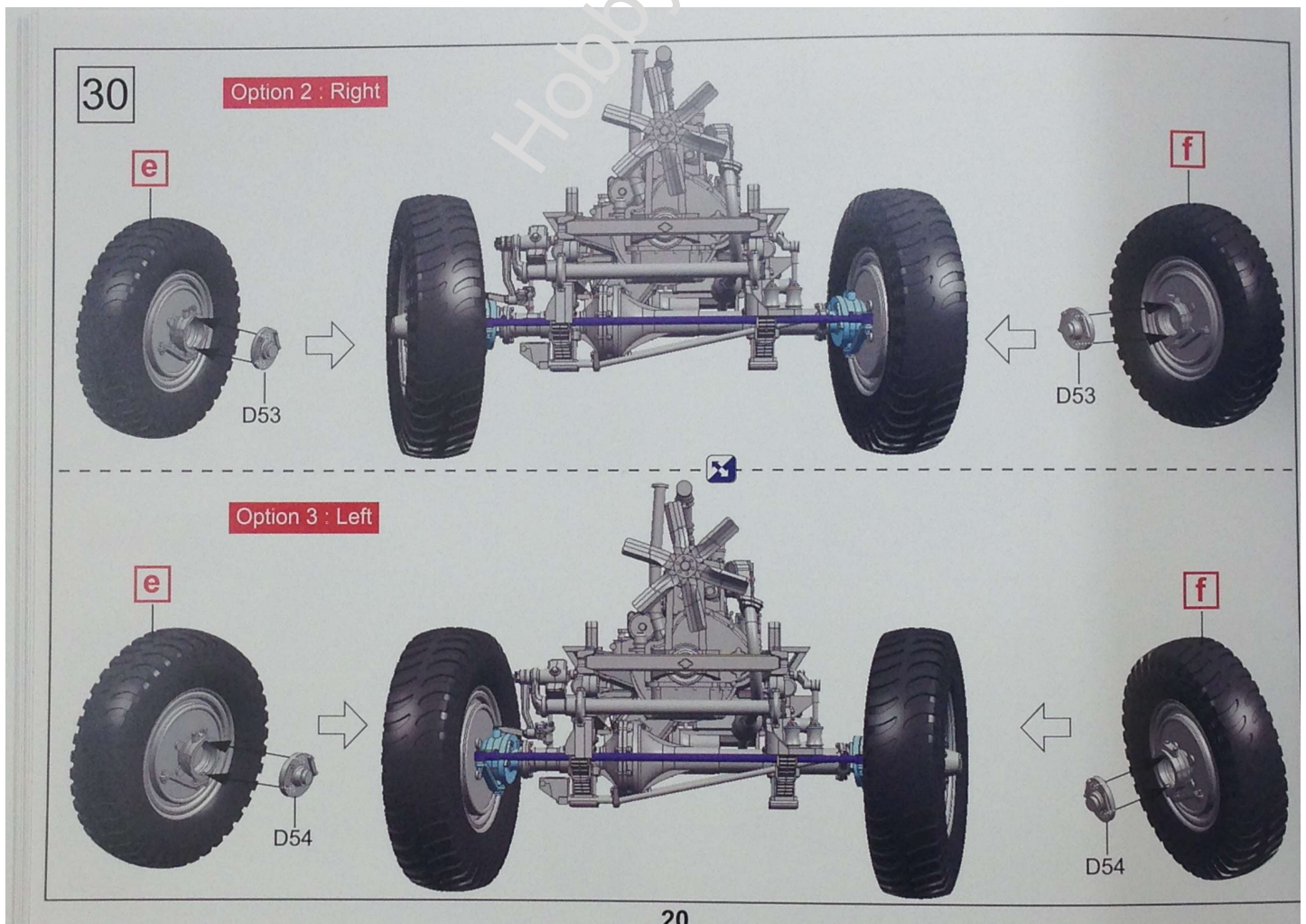
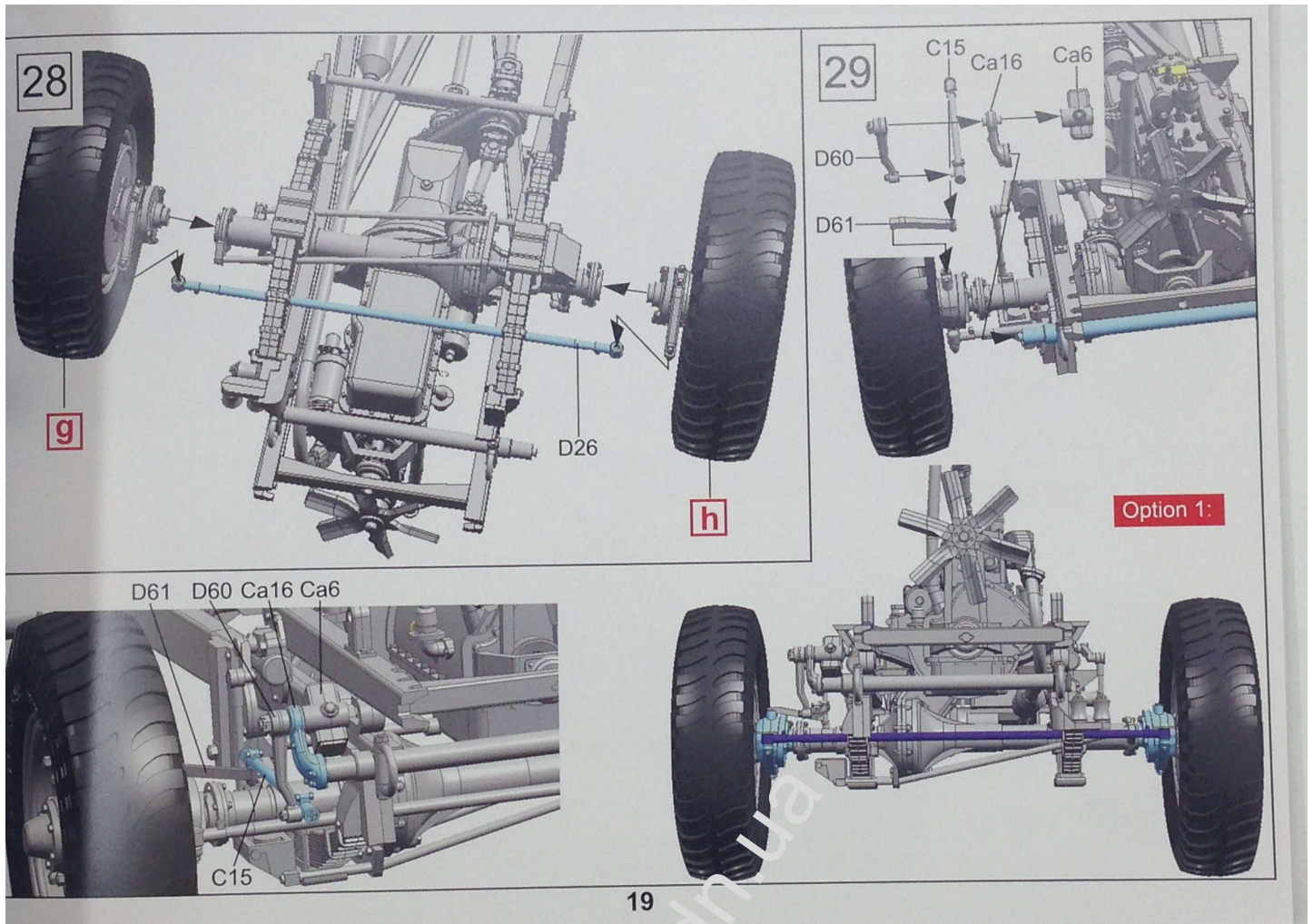
27

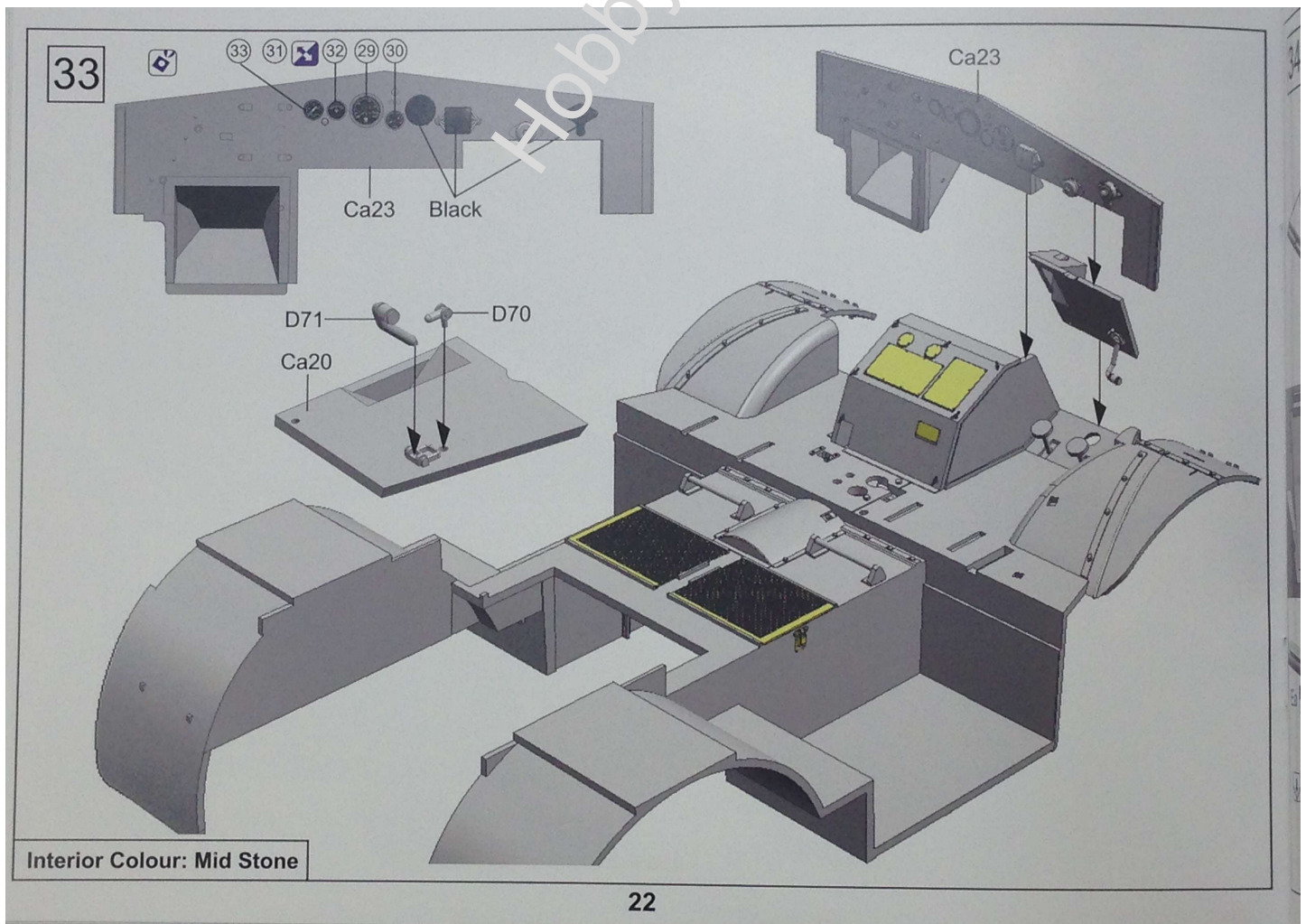
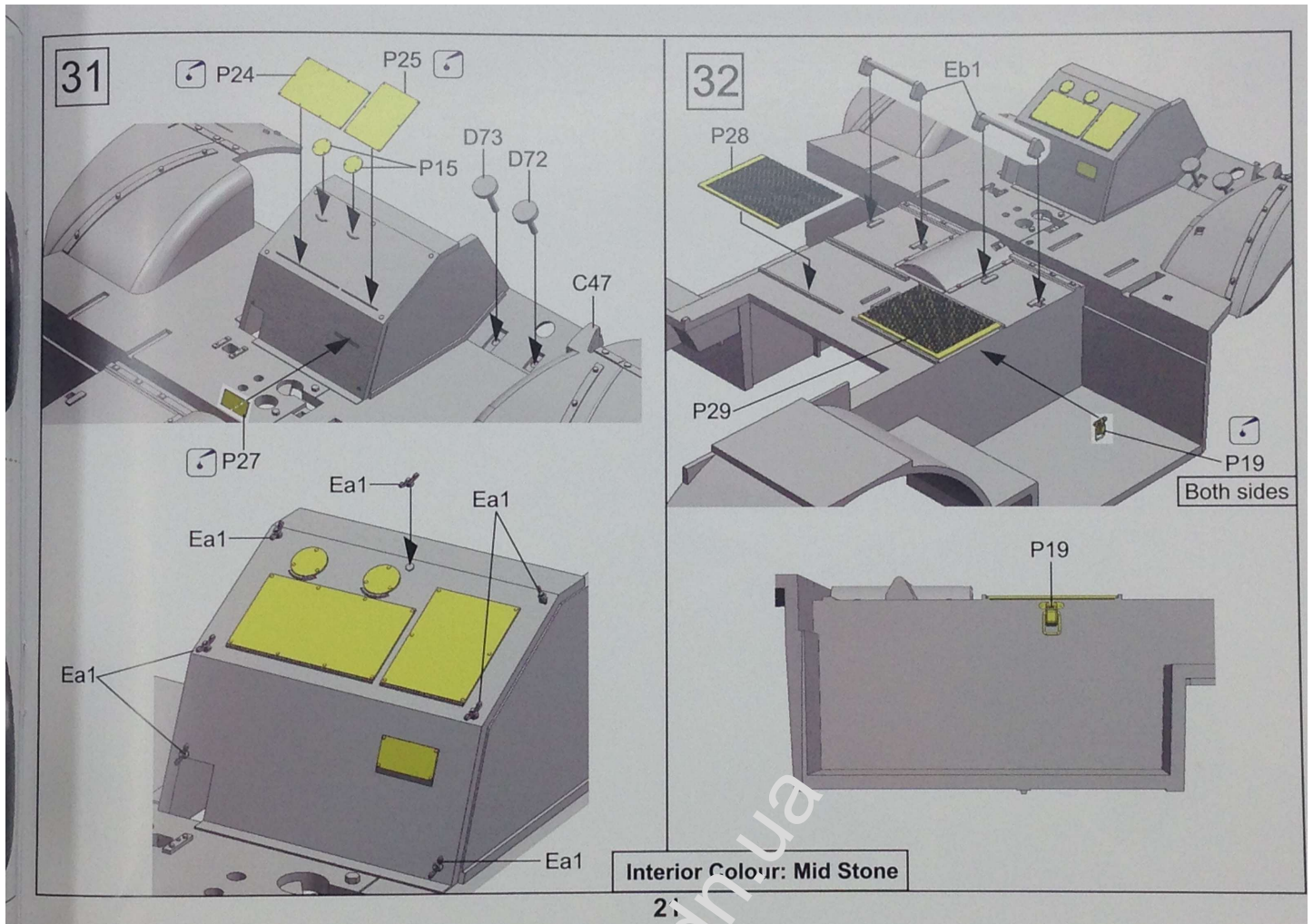


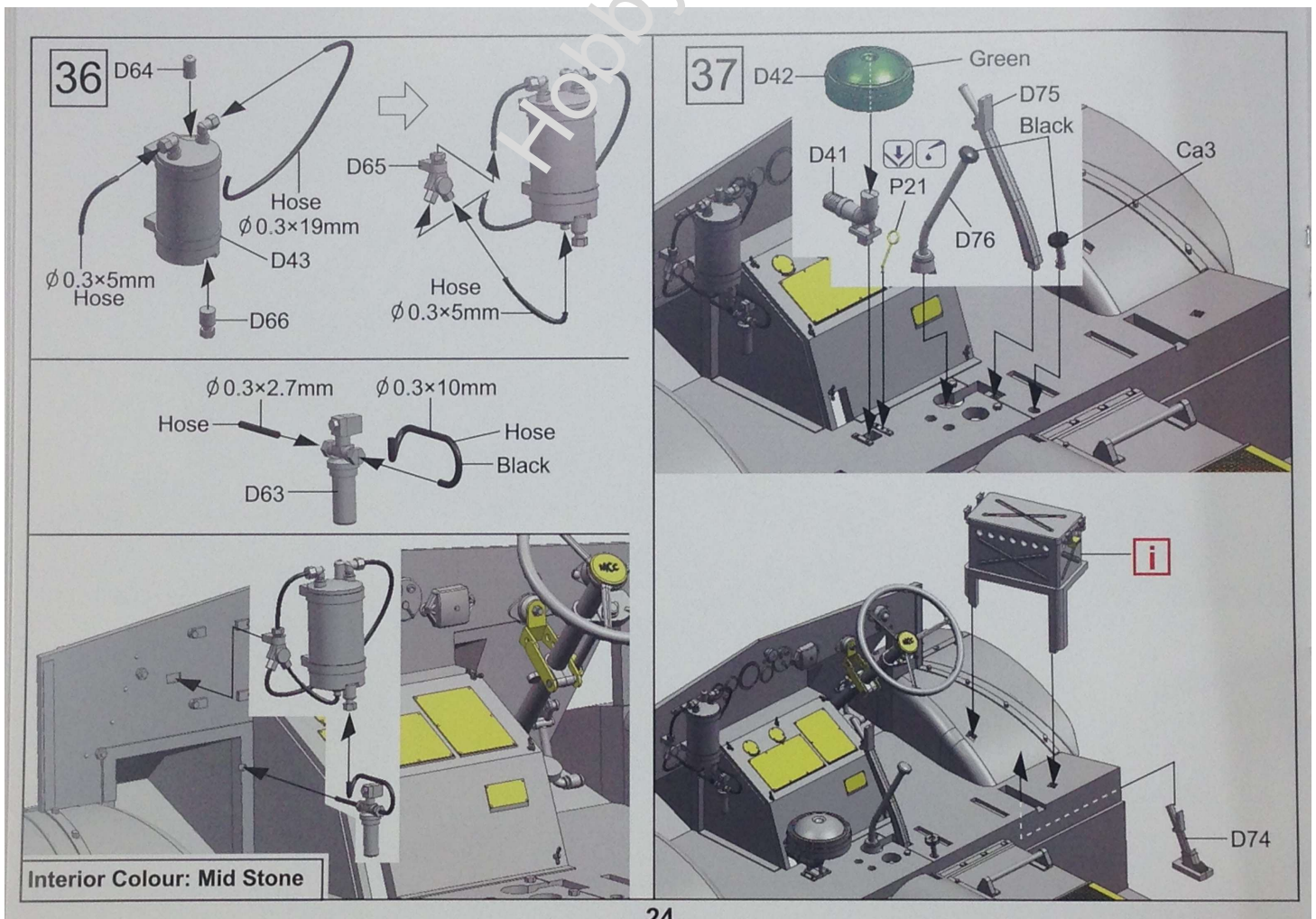
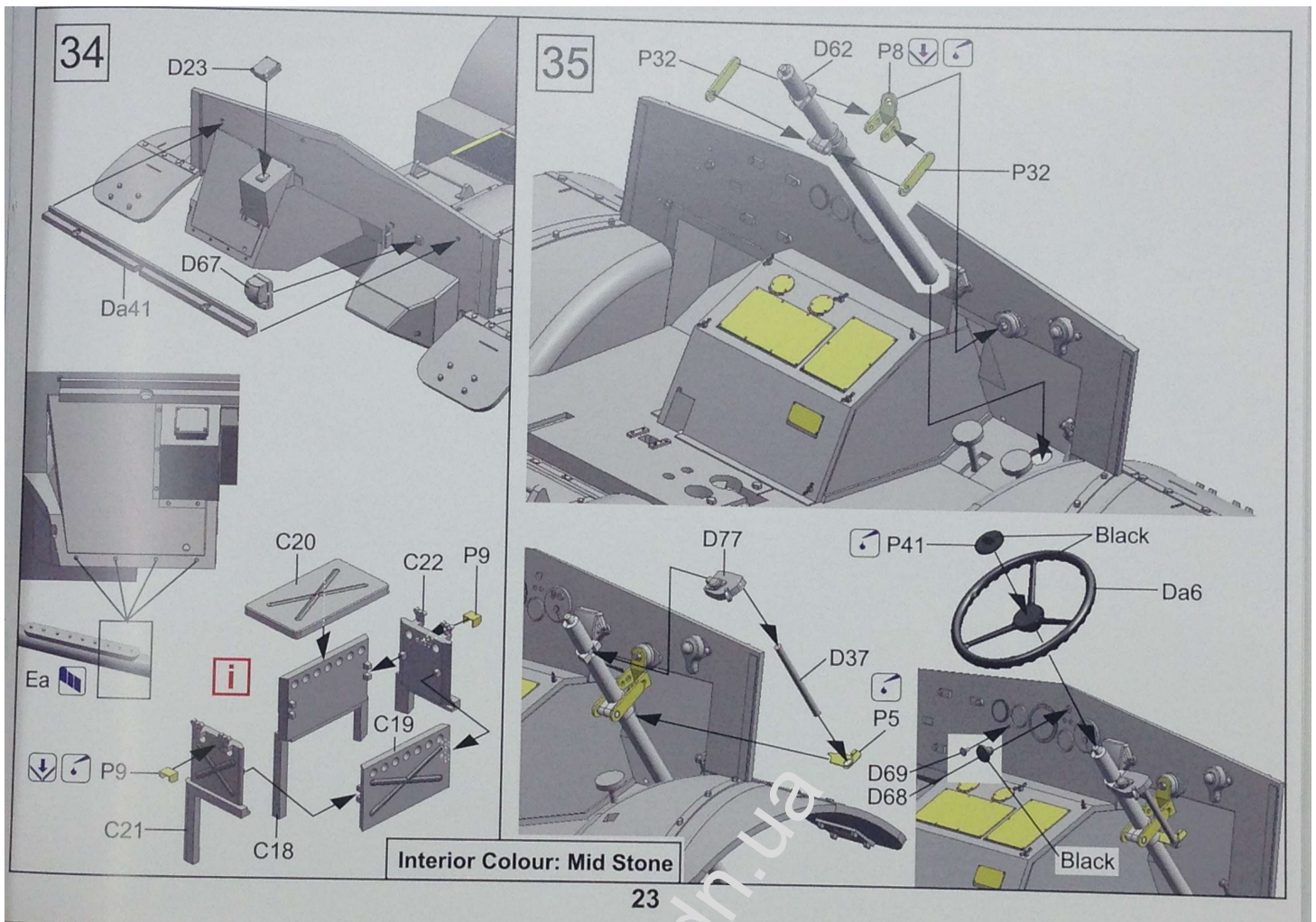
Option 1:



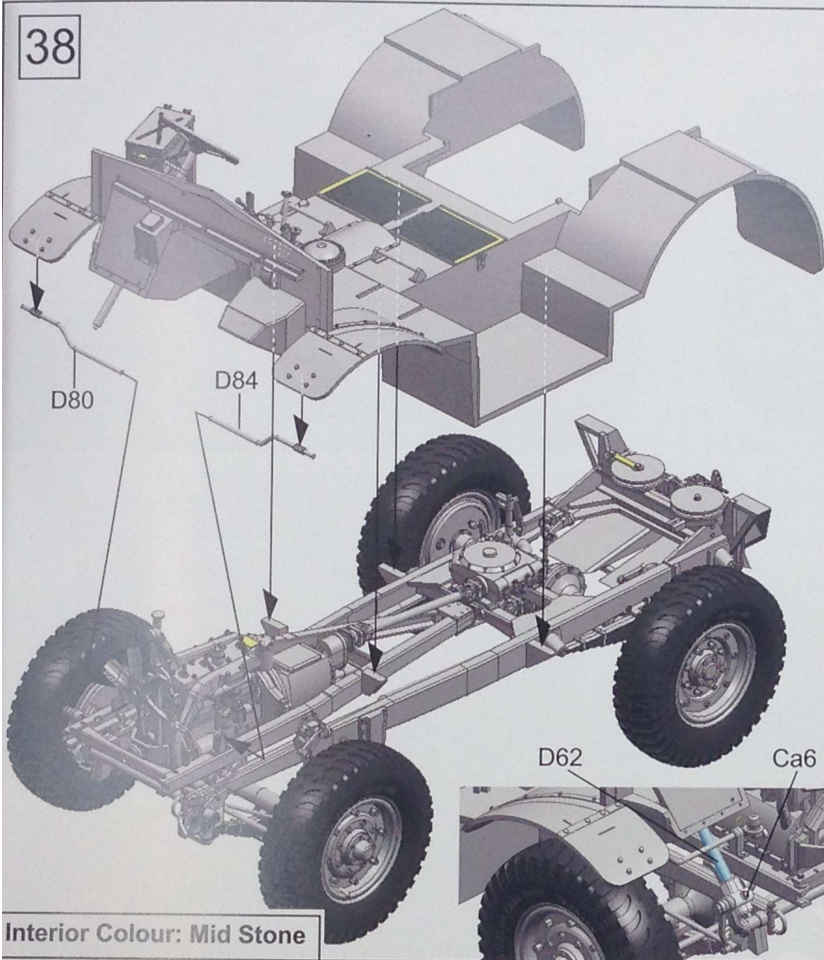
18





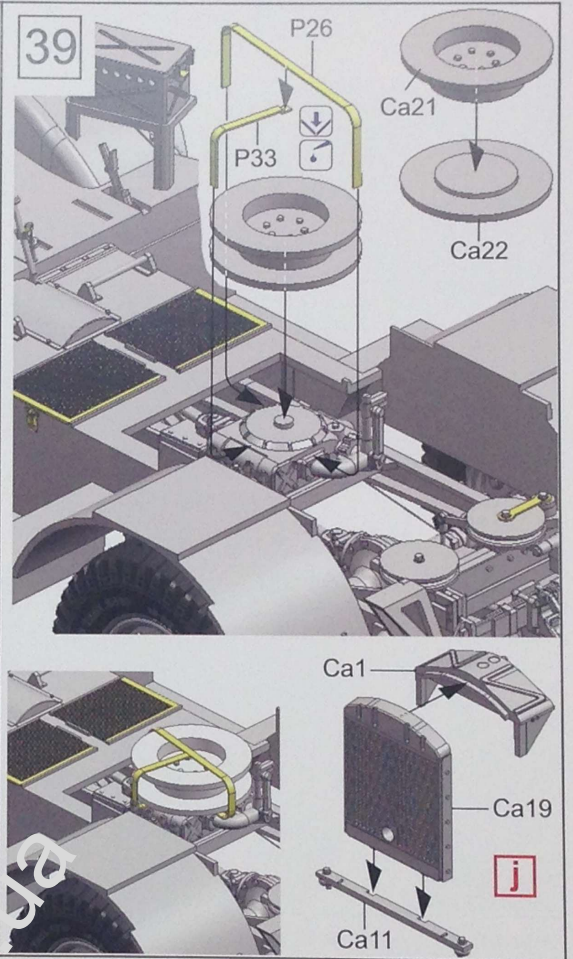


38

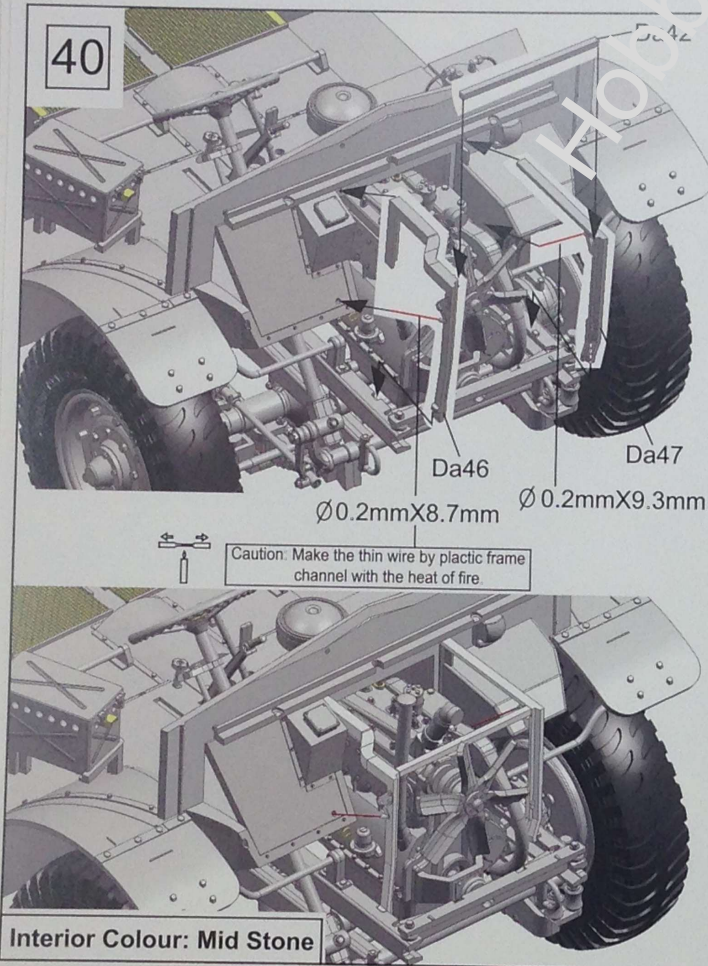


25

39

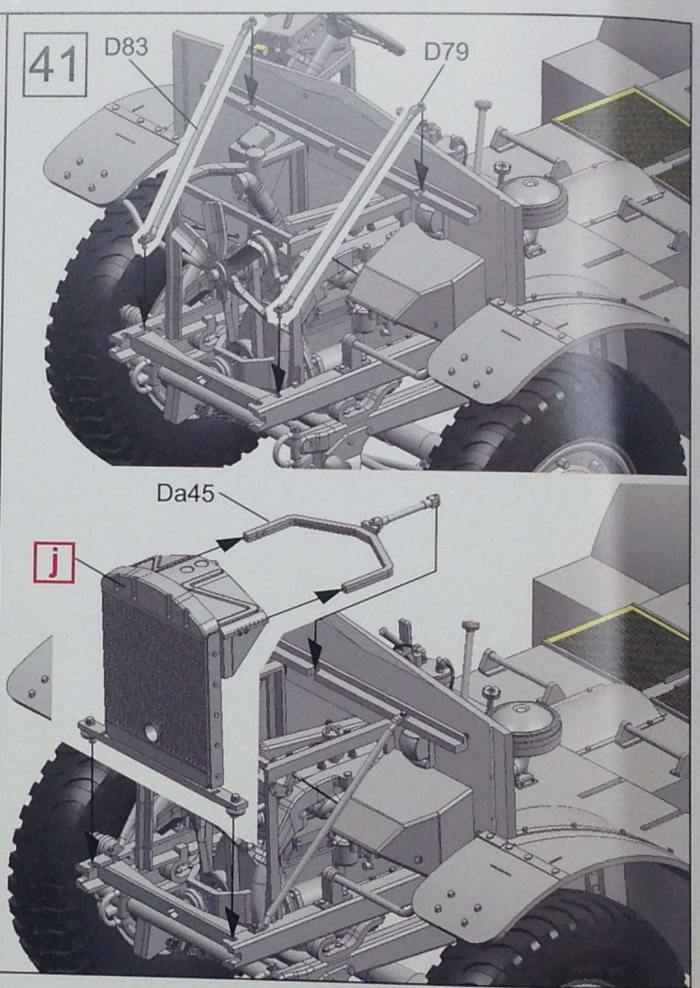


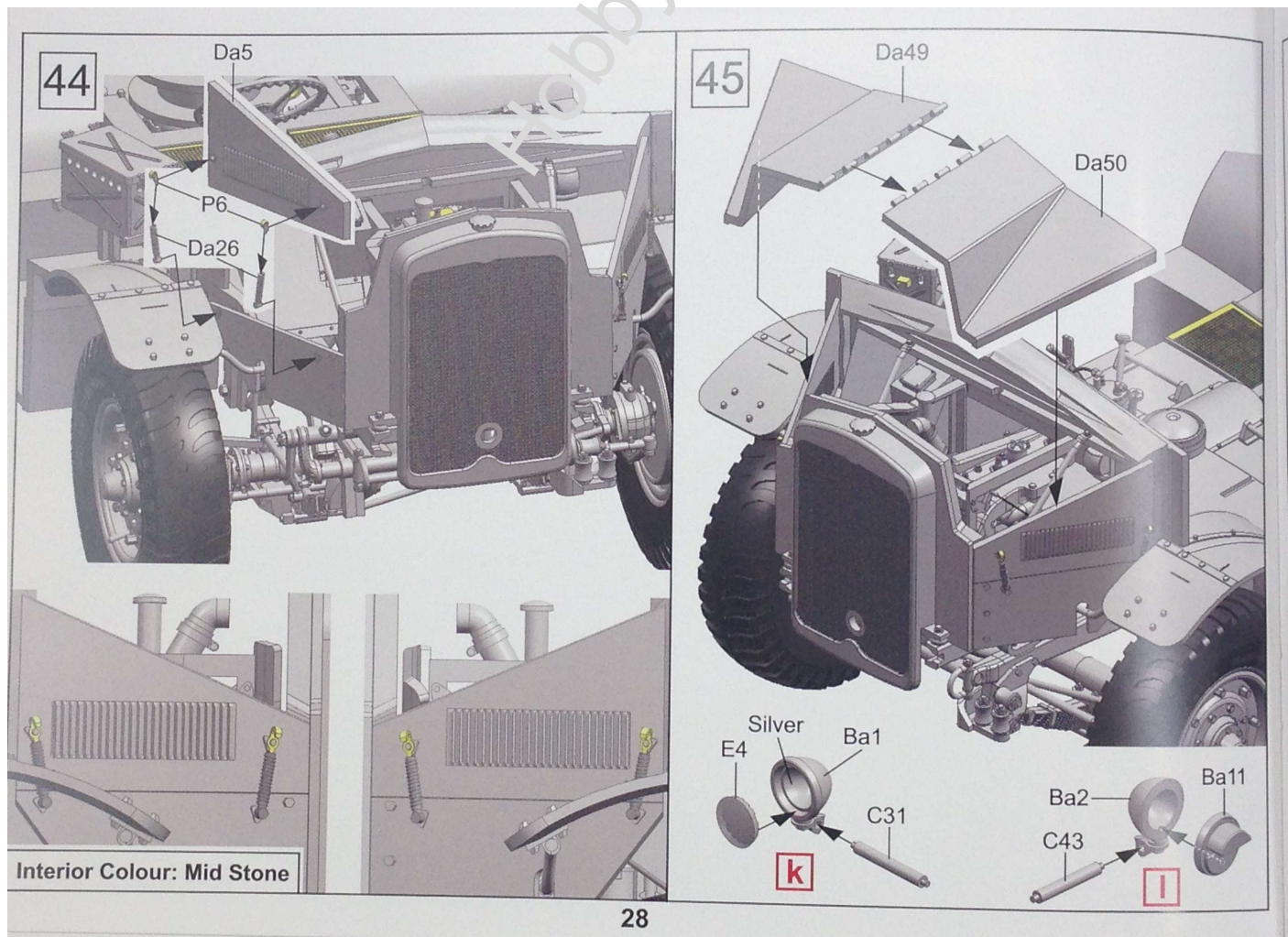
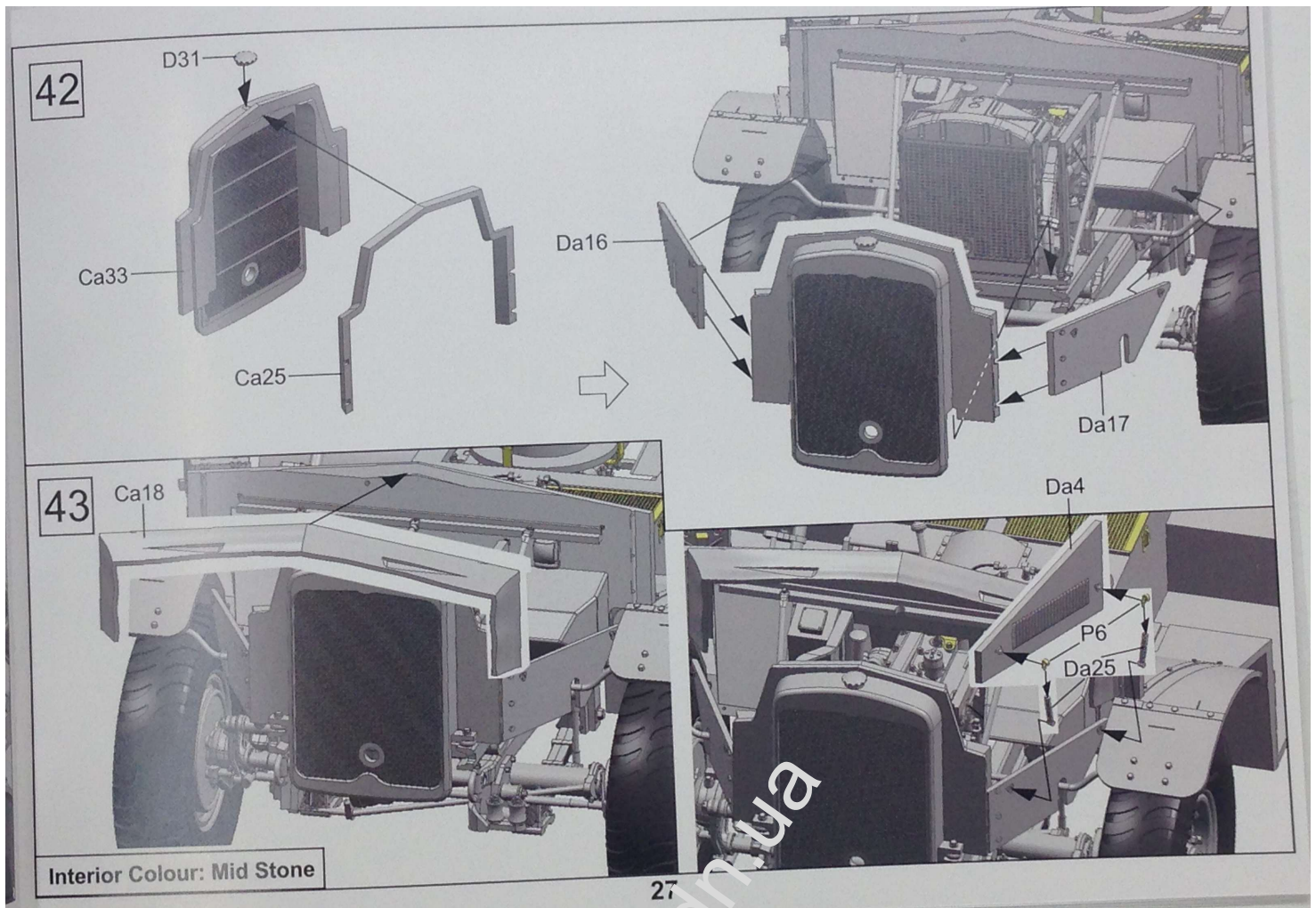
40

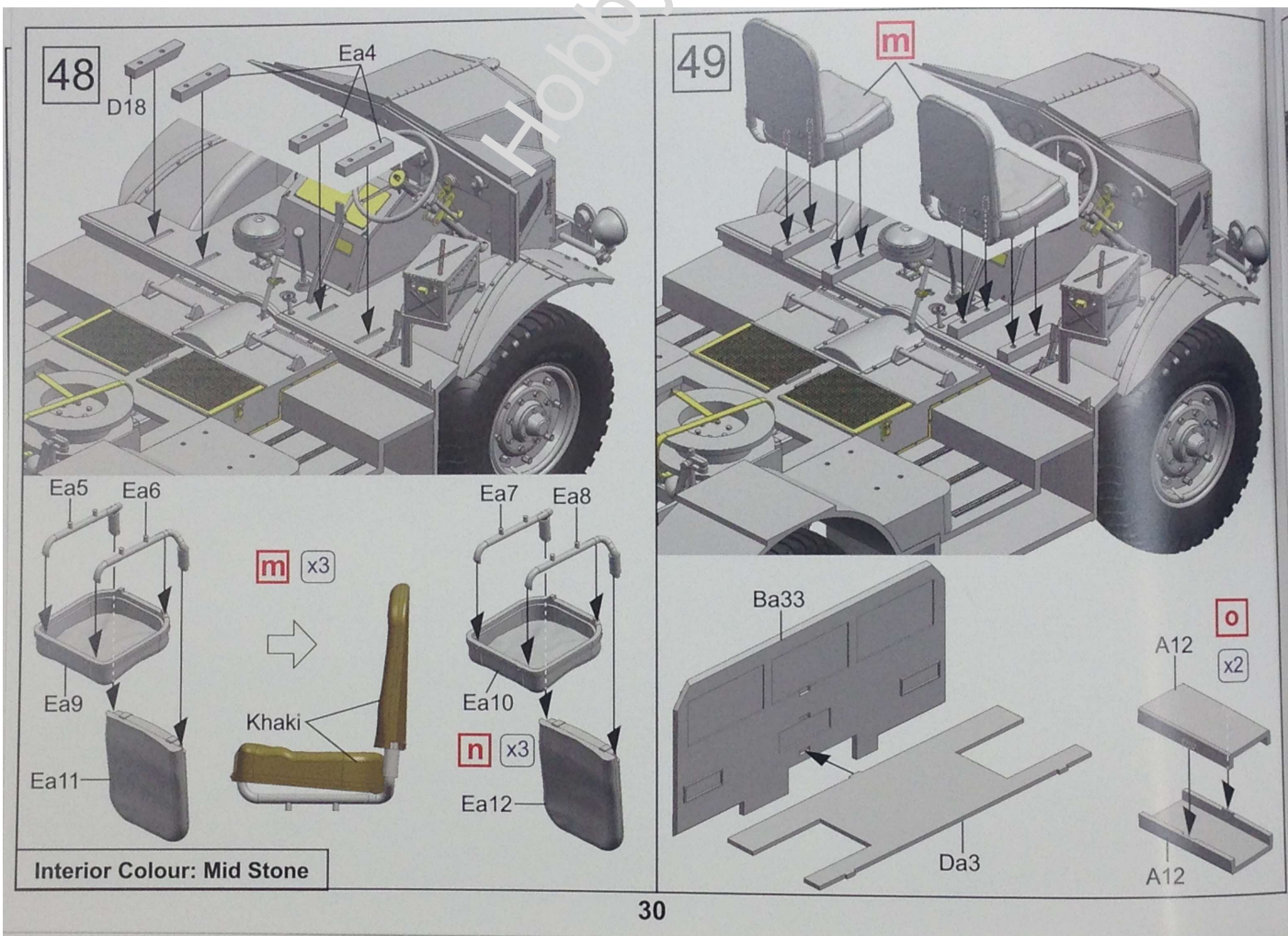
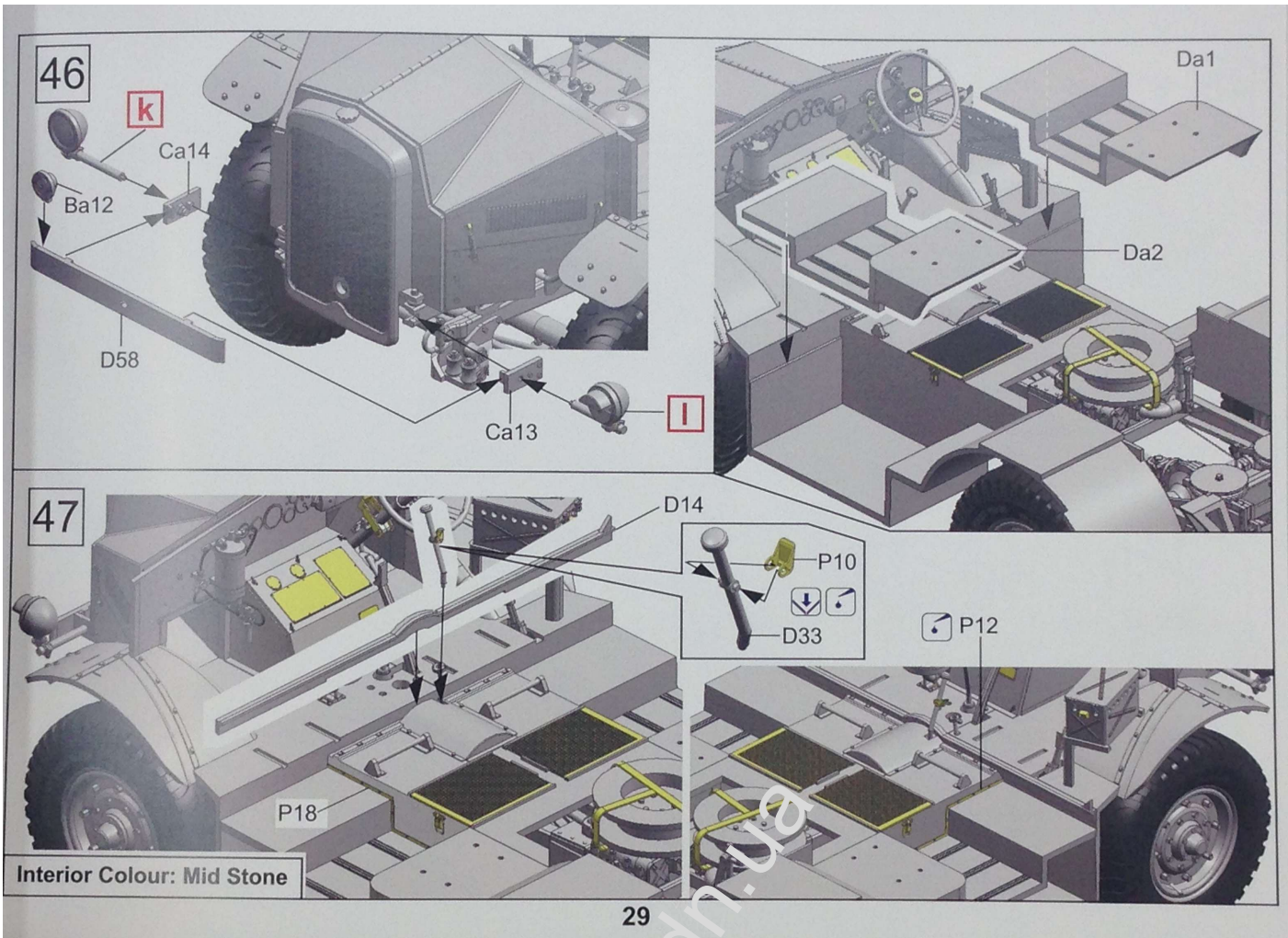


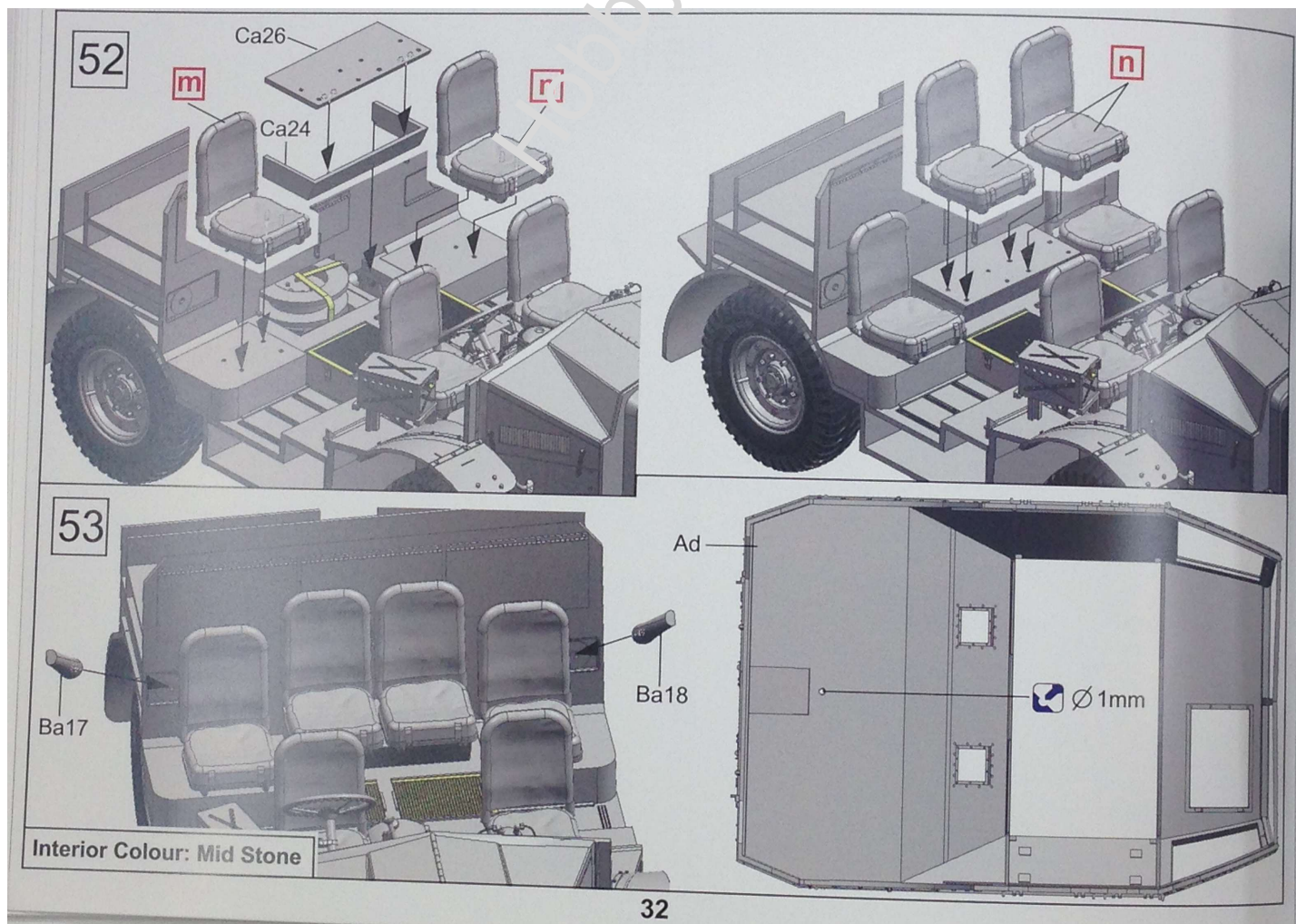
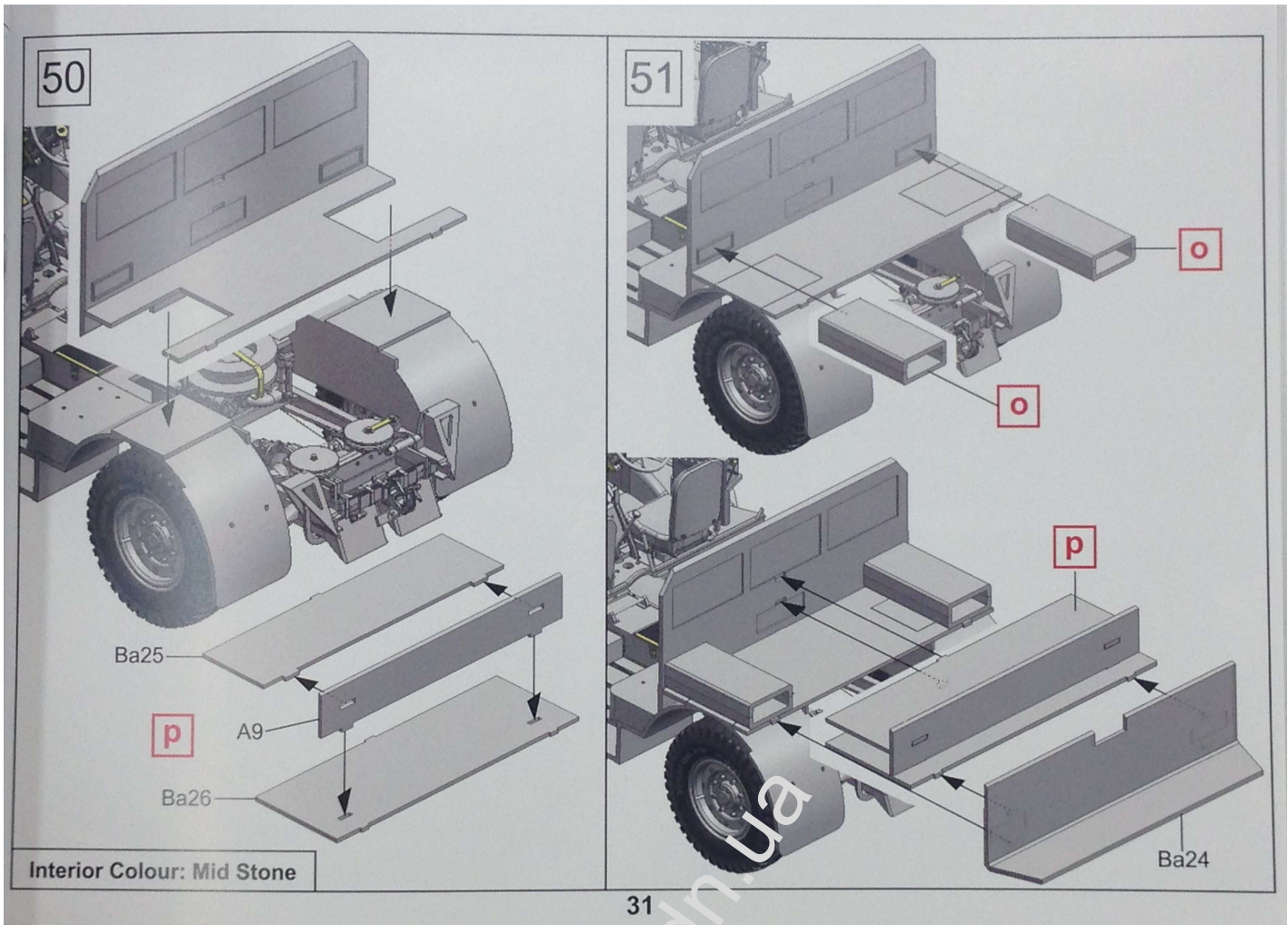
26

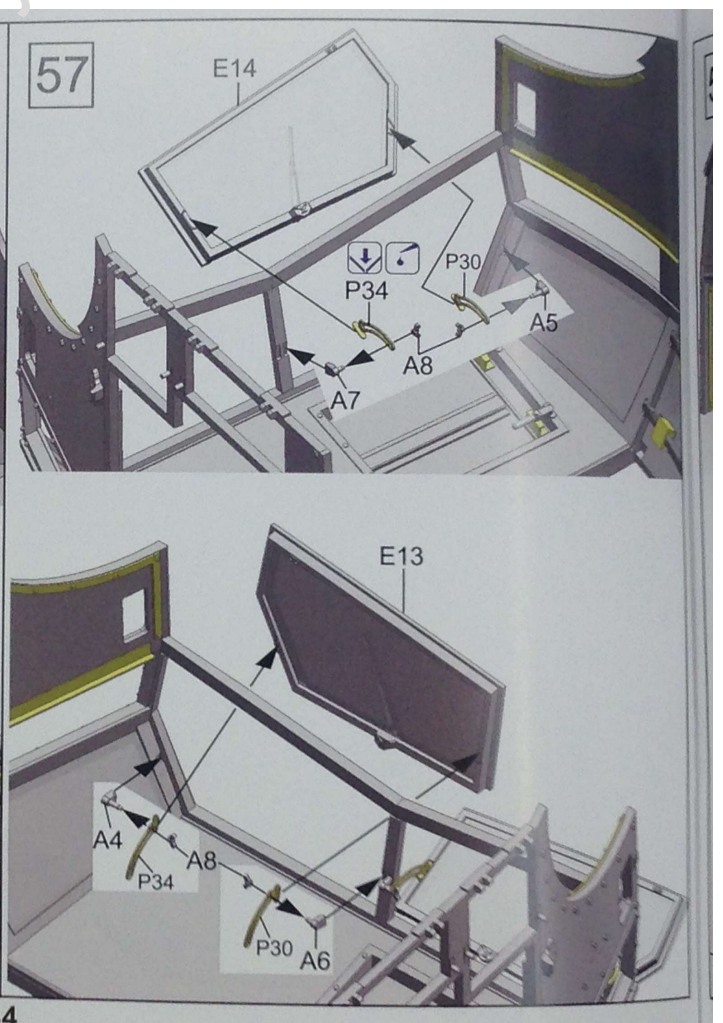
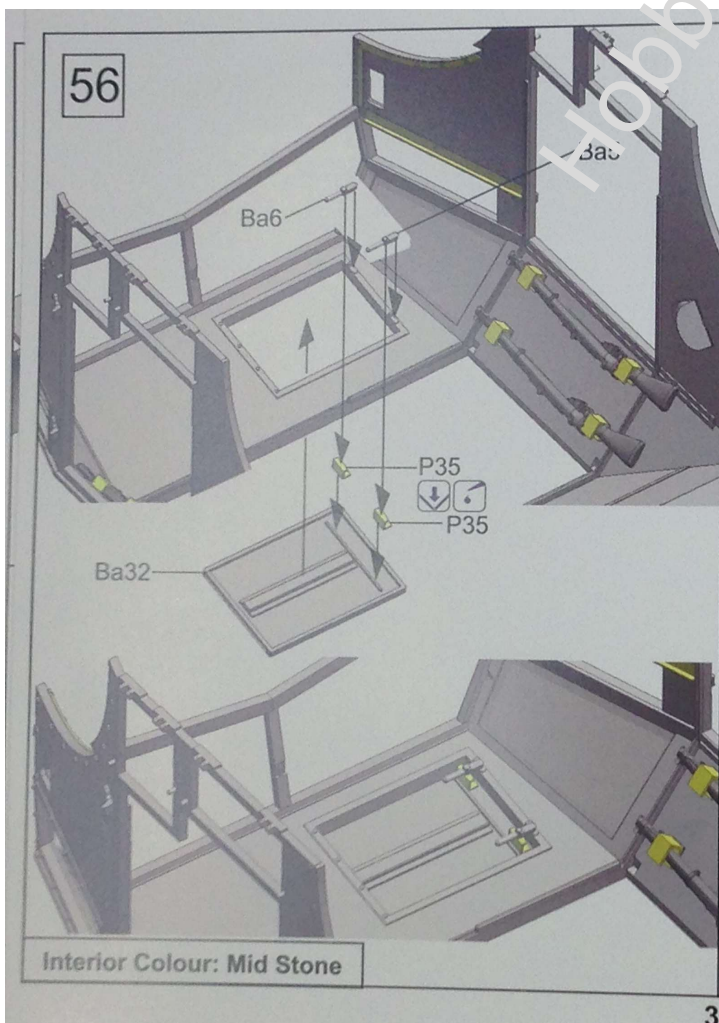
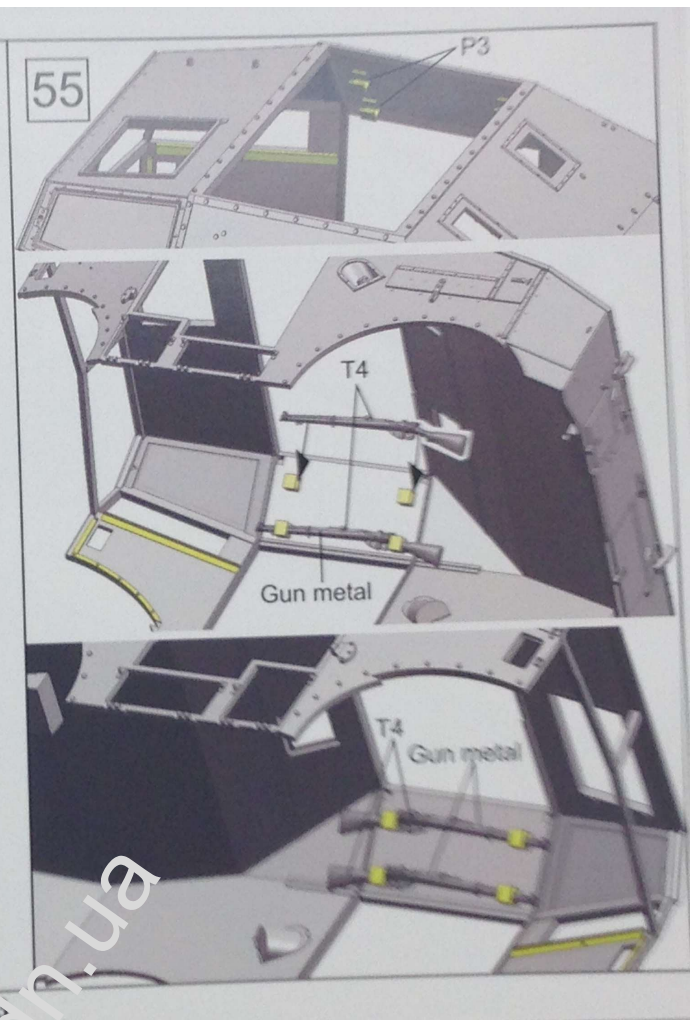
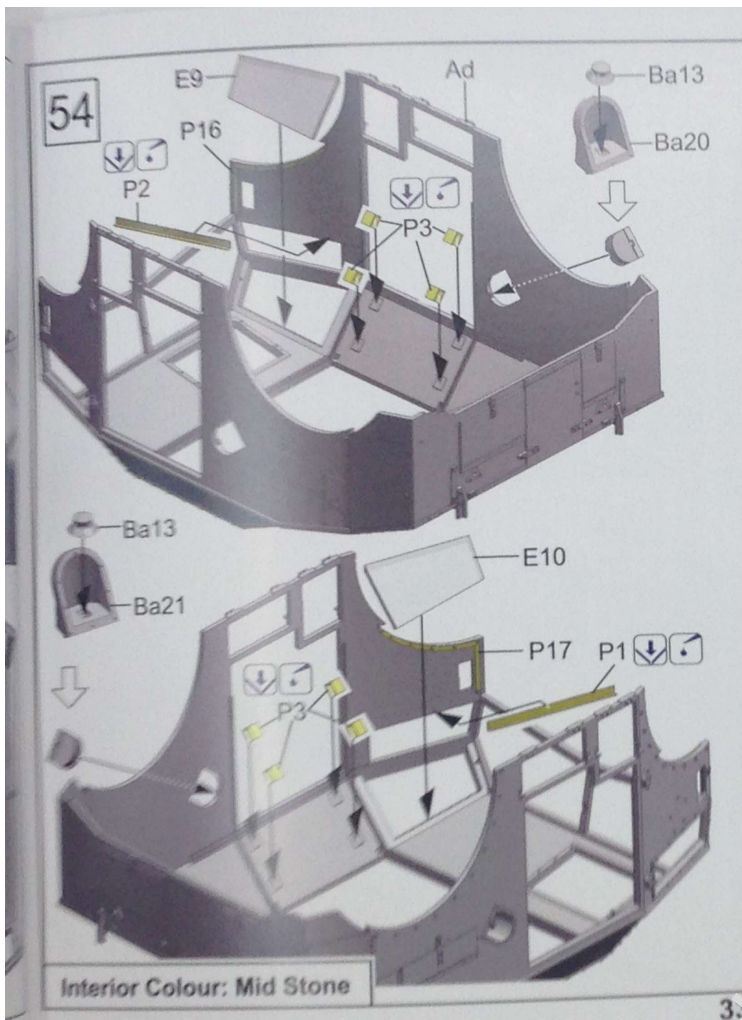
41

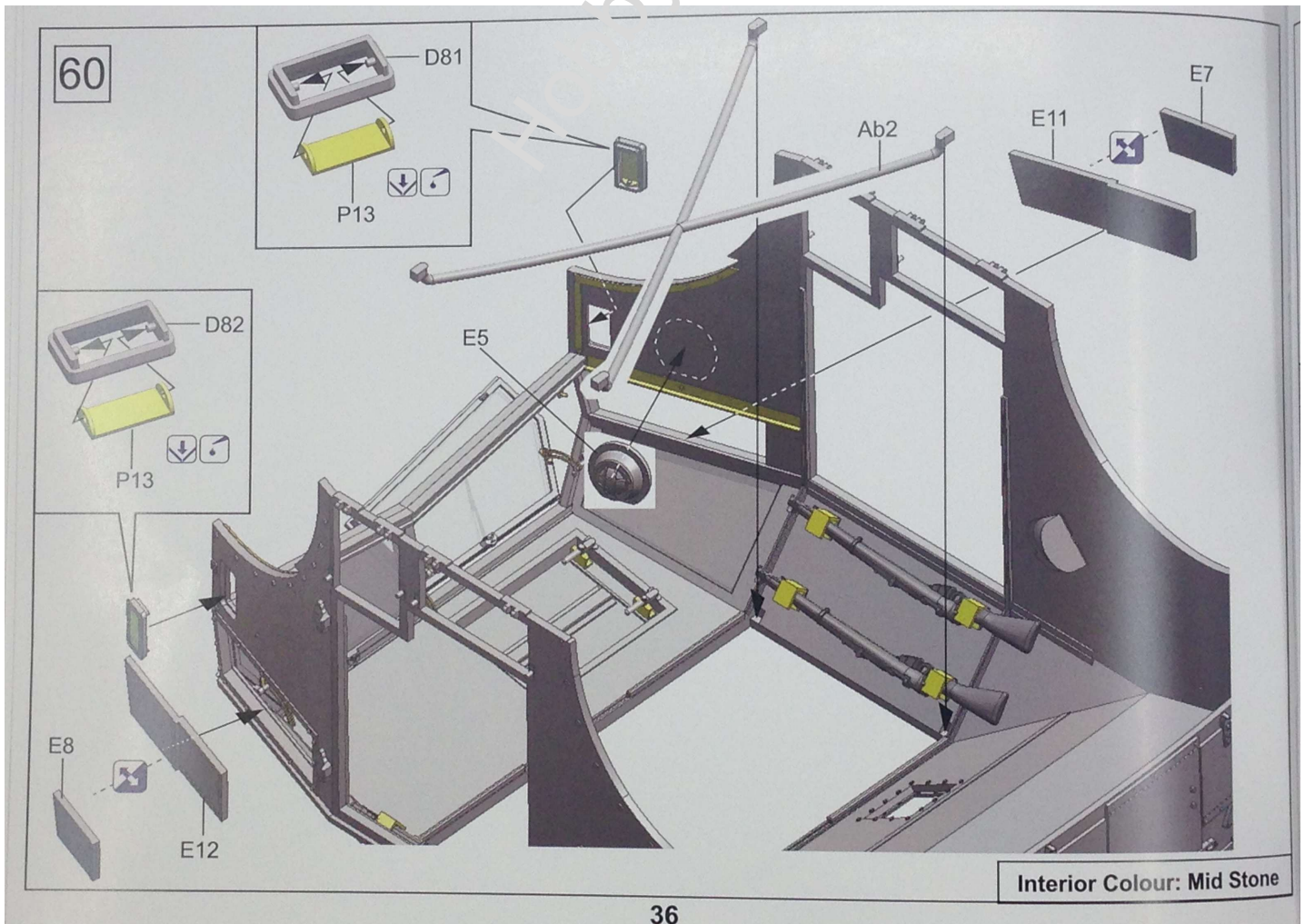
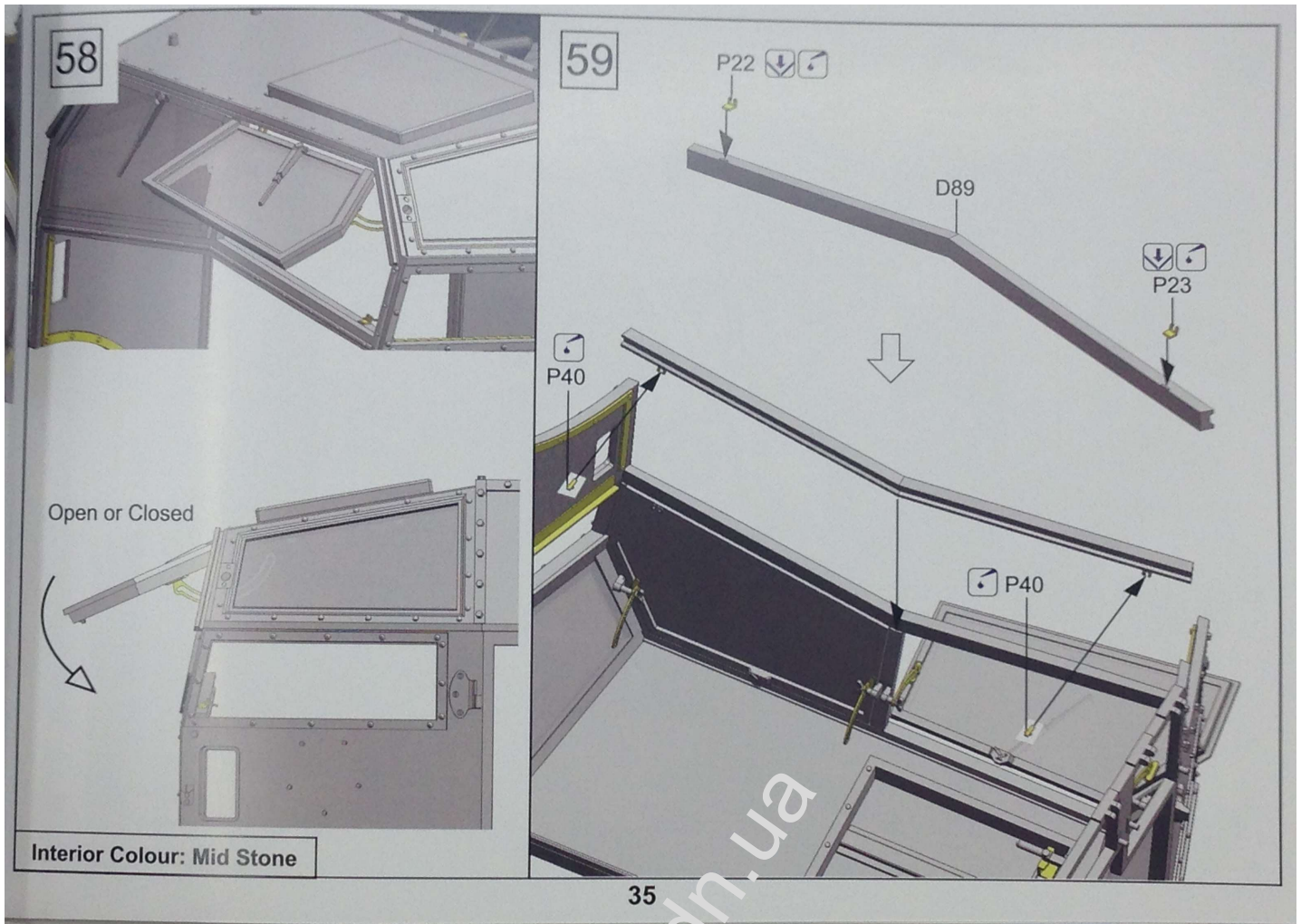


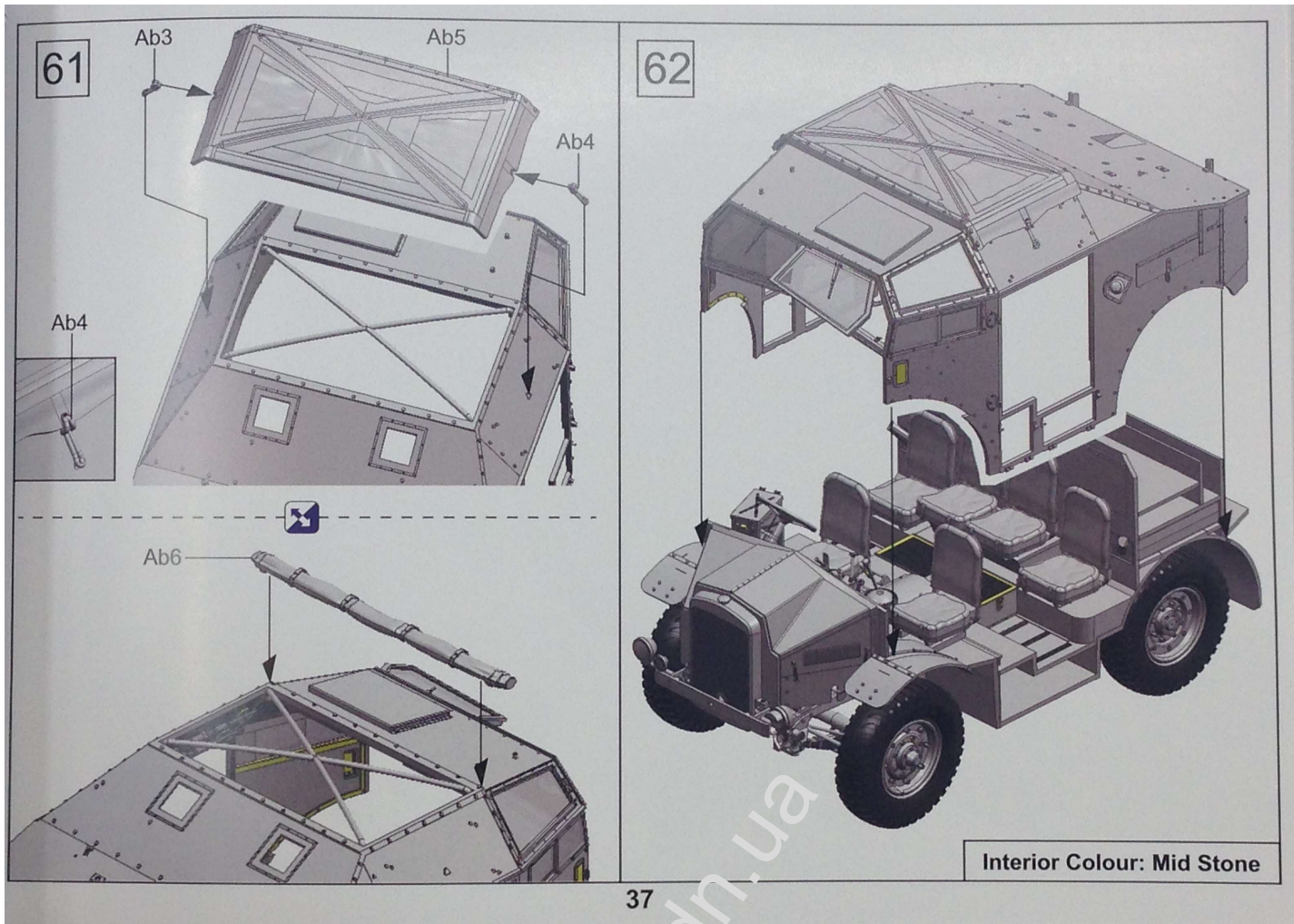




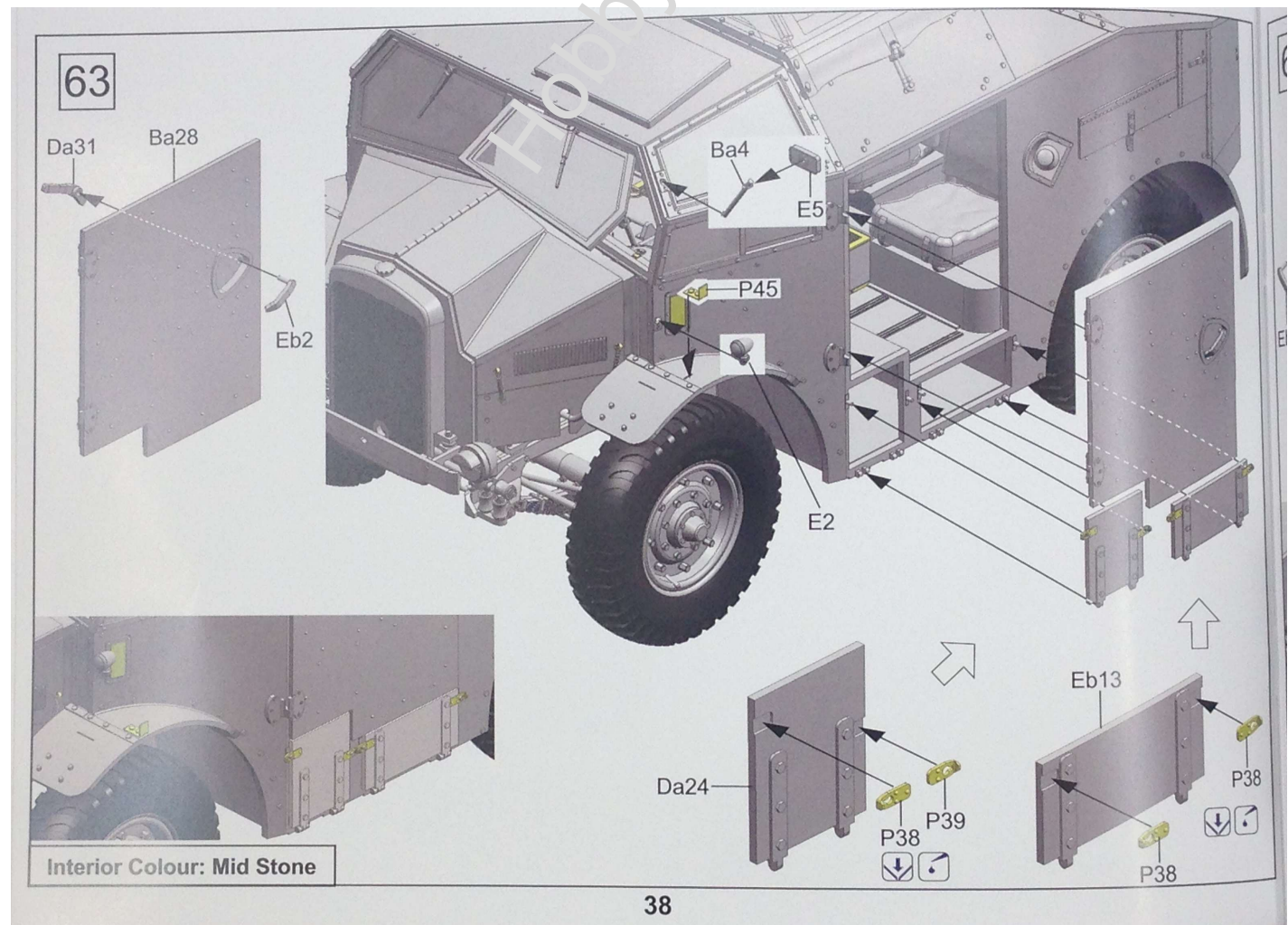




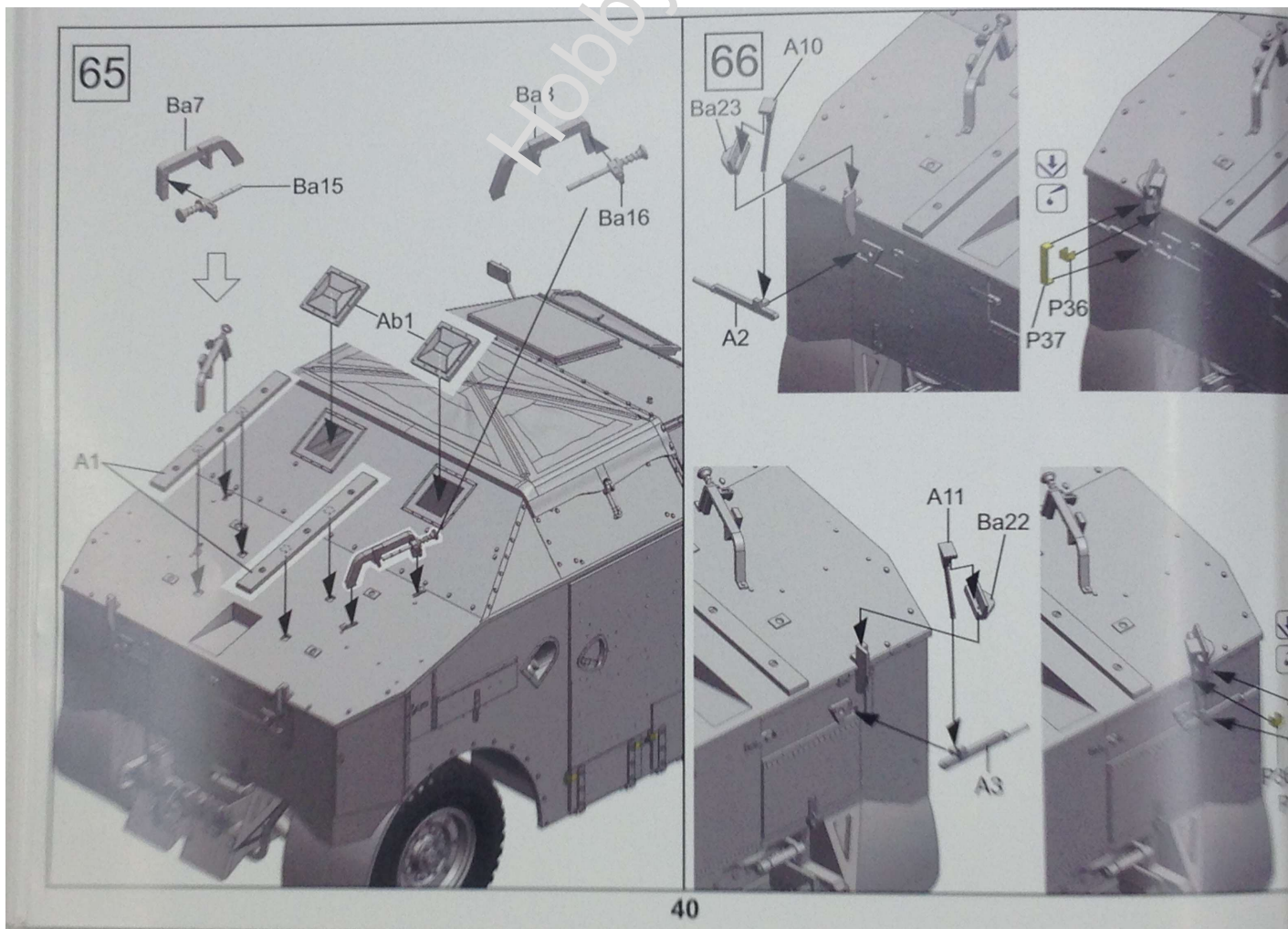
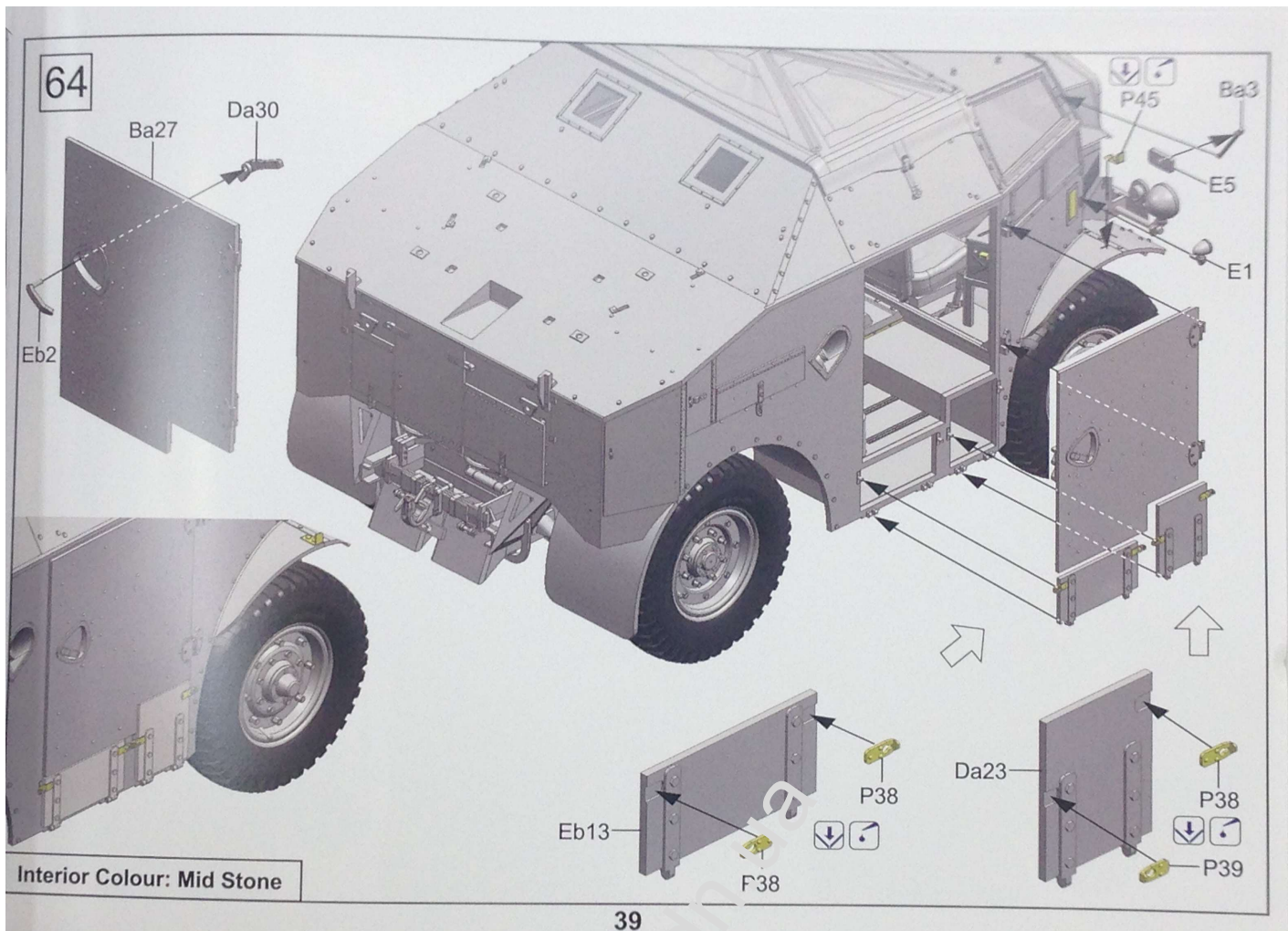


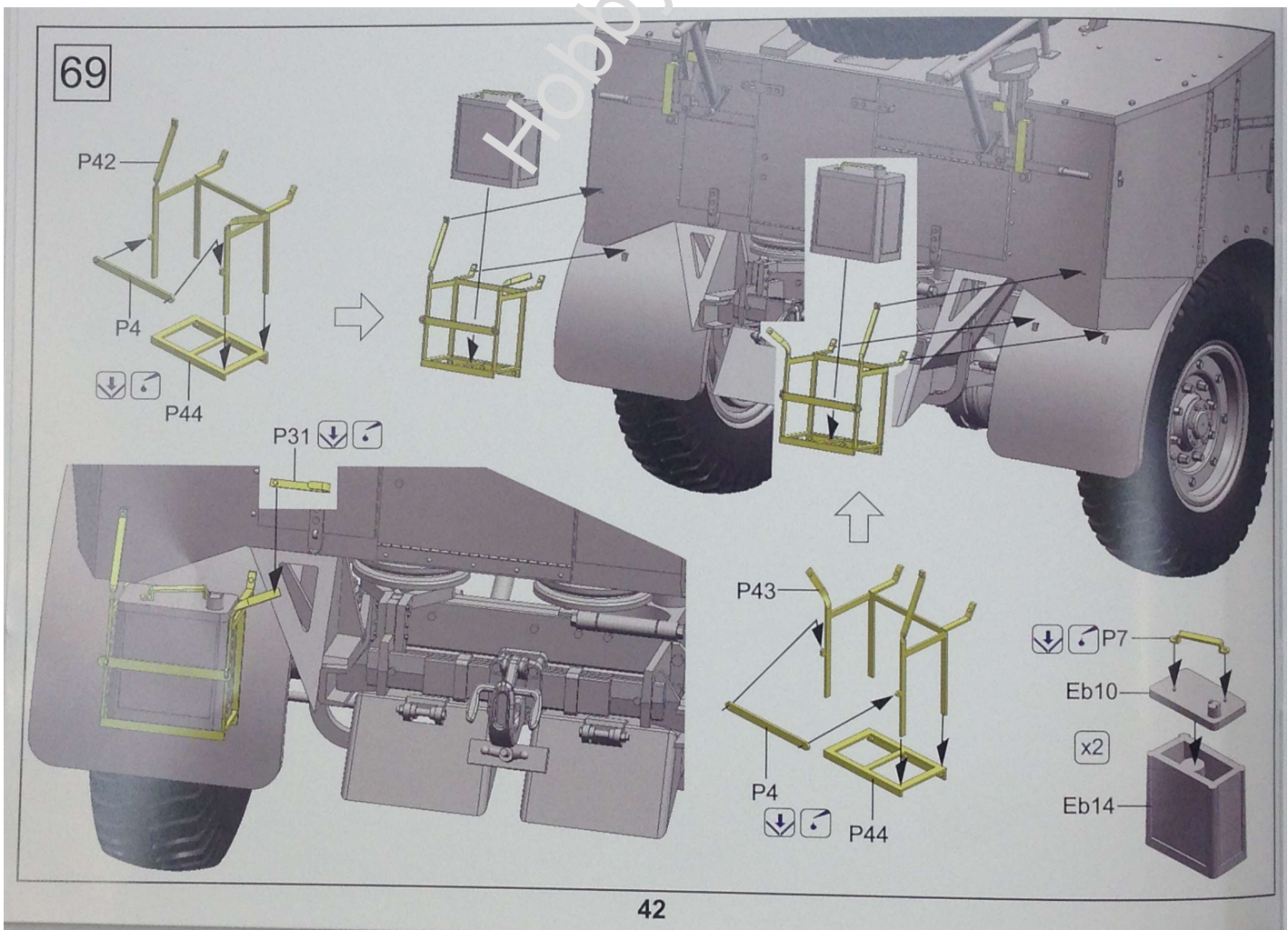
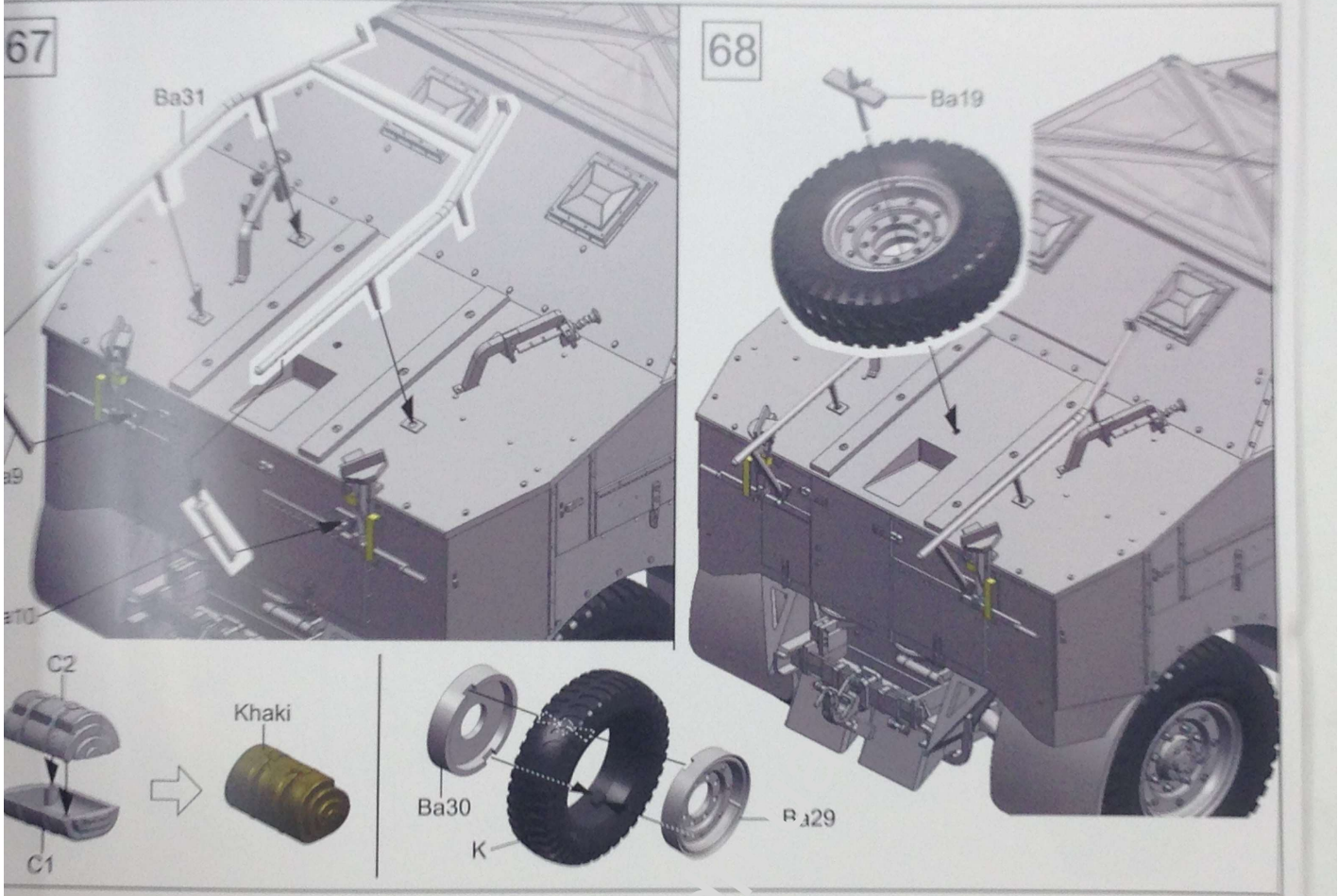


37

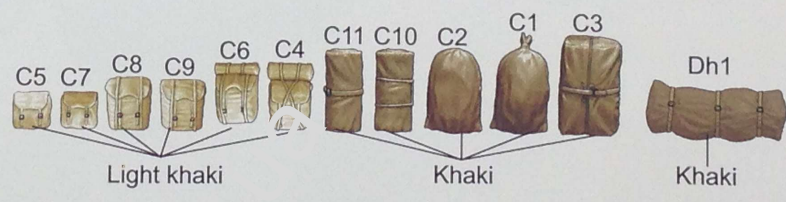
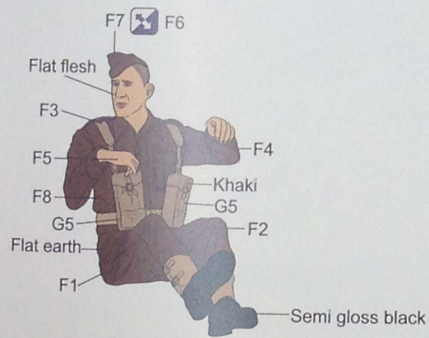
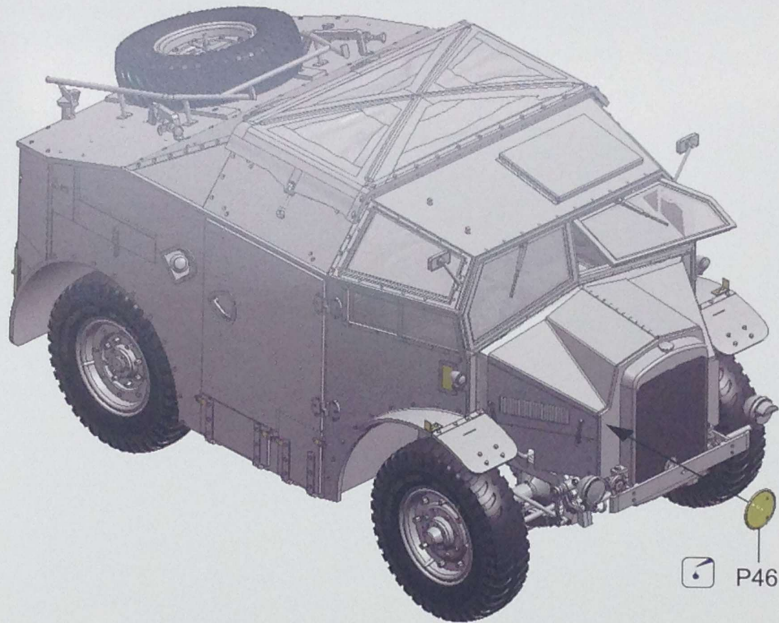


38



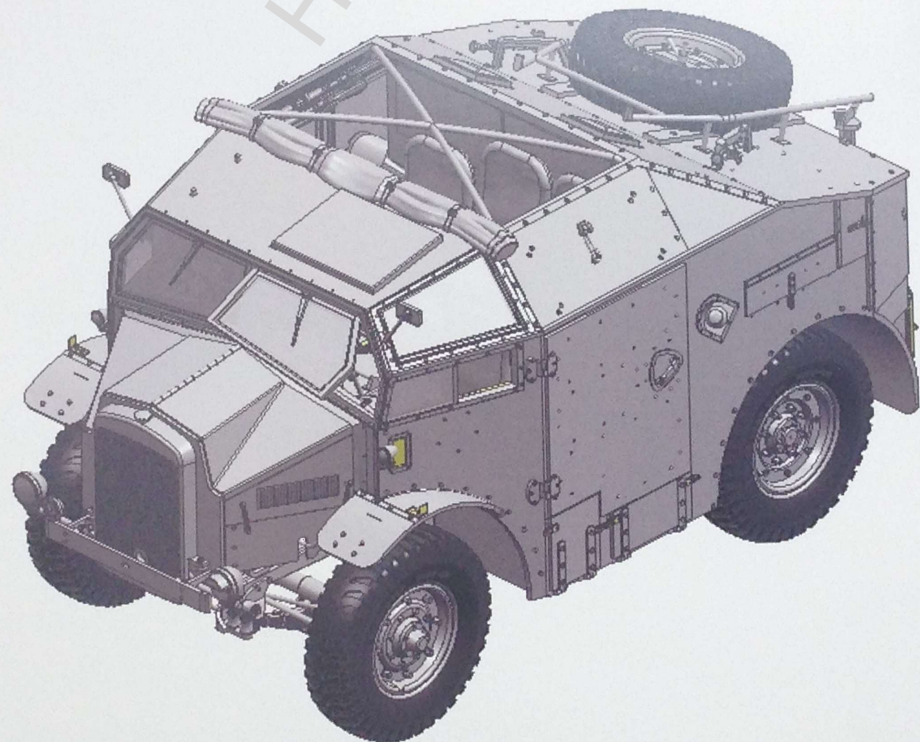


70



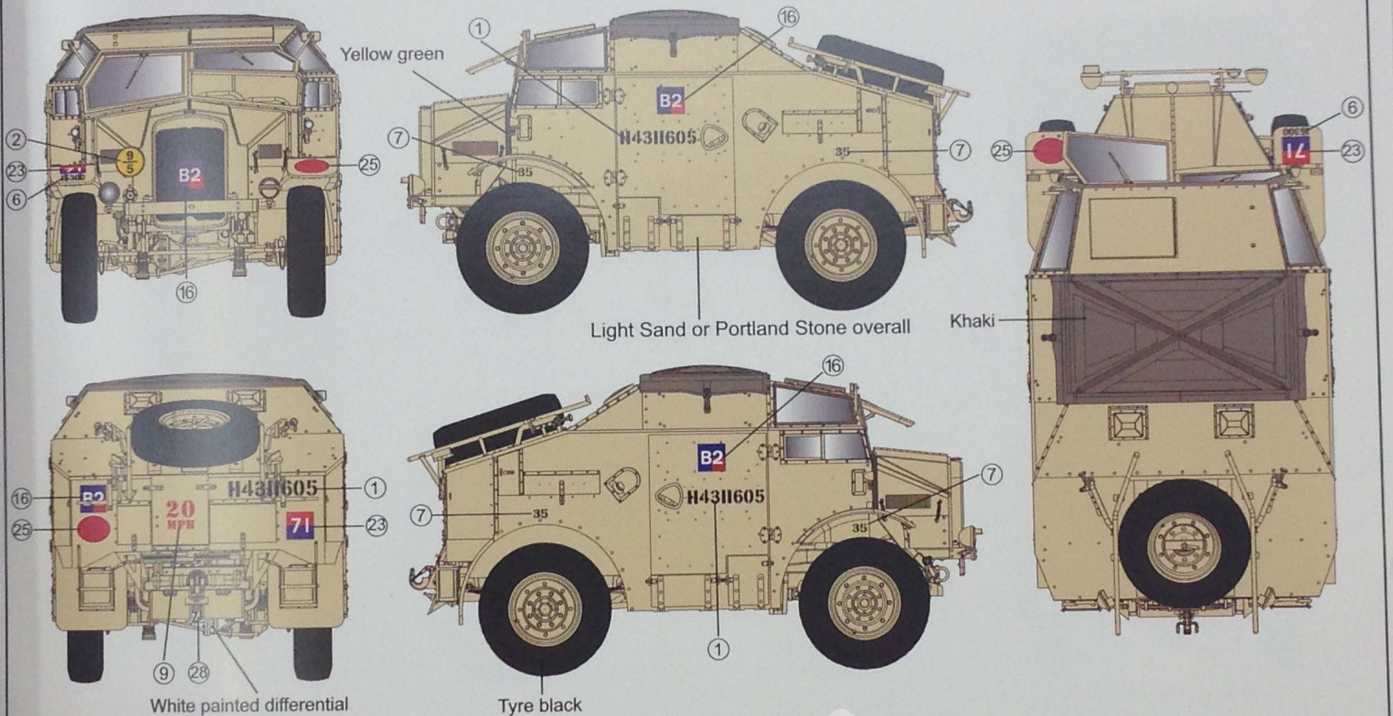
43

71



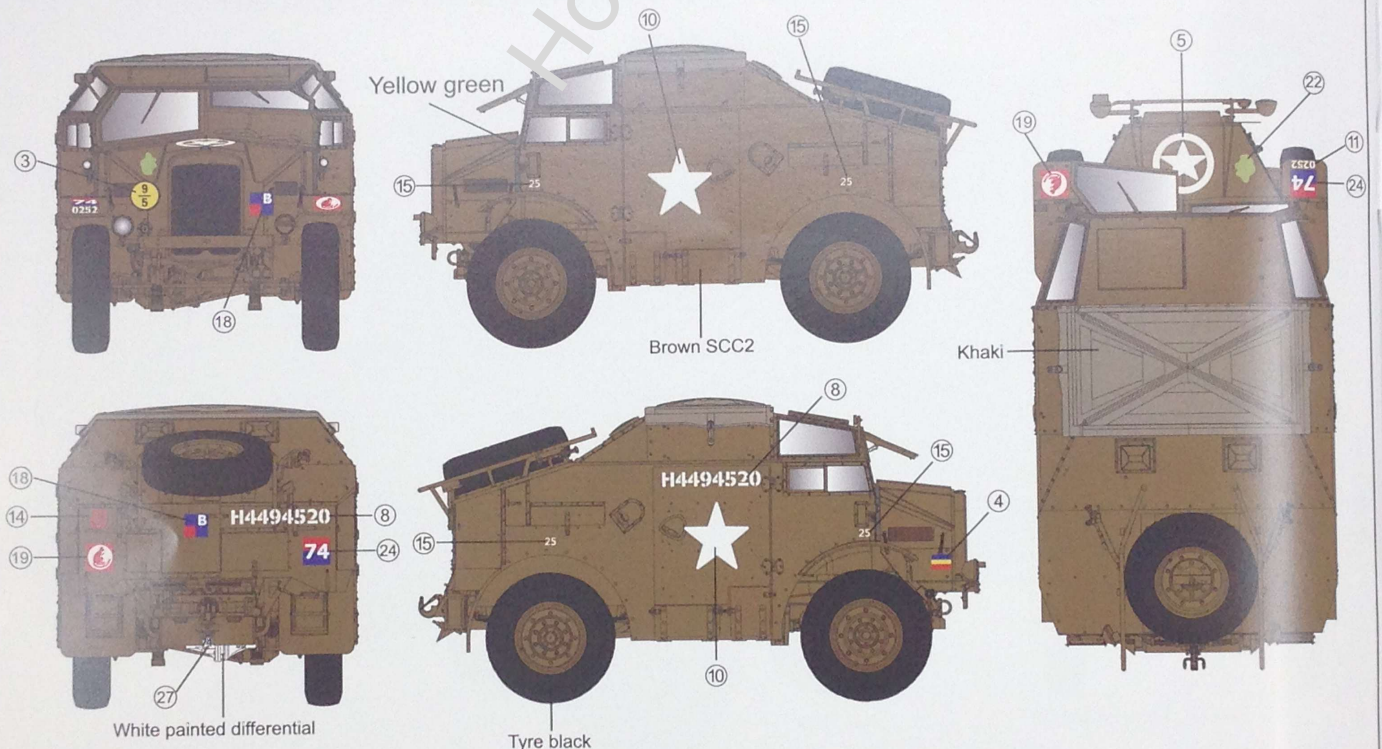
44

Option 1: B Troop, 258 (22nd London) Battery, 65th (8th London) Field Regiment (TA), Royal Artillery, 44th (Home Counties) Infantry Division: North Africa, August 1942



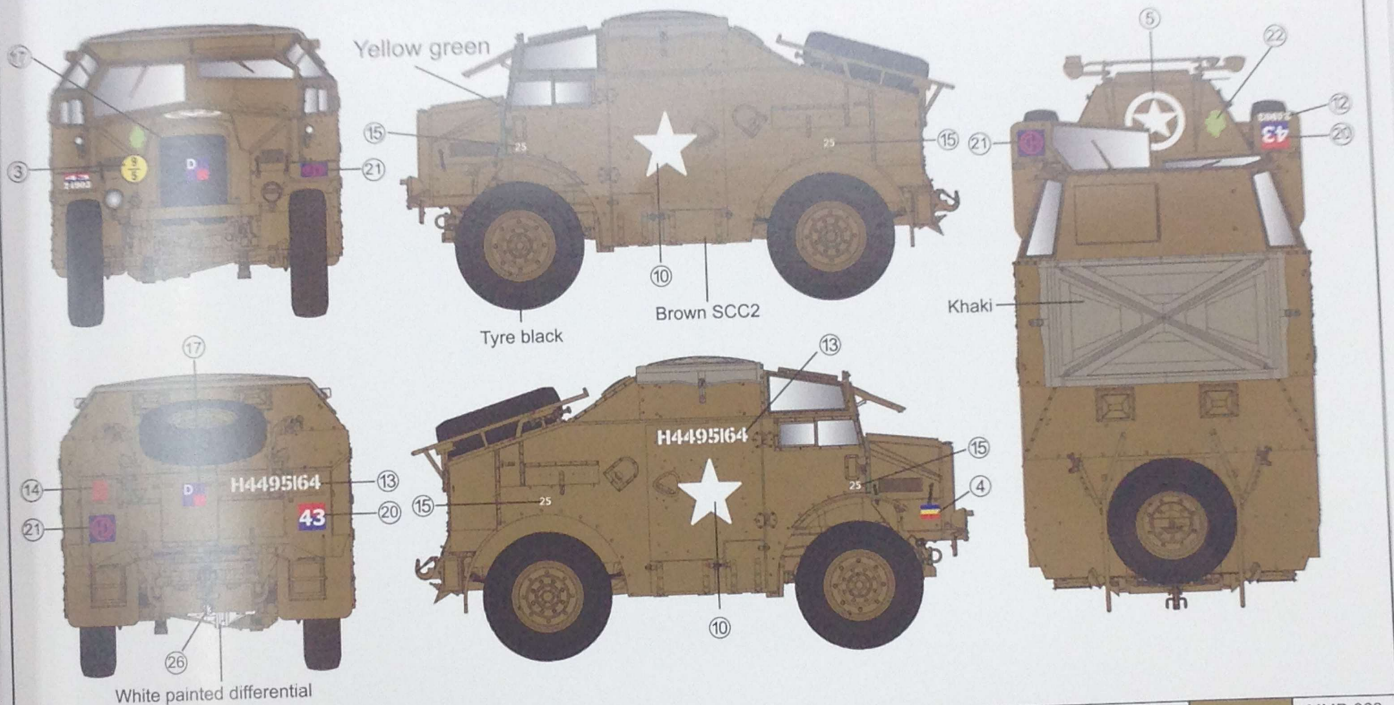
Tyre black	MMP-040	Gun metal	MMM-010	Semi gloss black	MMB-001	Khaki	MMP-060
White	MMP-001	Brown SCC2	MMP-130	Yellow green	MMP-021	Light Khaki	MMP-038
Light Sand	MMP-043	Brass	MMC-002	Aluminum	MMM-003	Green	MMP-004
Flat black	MMP-047	Silver	MMM-005	Mid bronze green	MMP-079	Mid stone	MMP-076

Option 2: (late) Madras Troop, M Battery, 3rd Royal Horse Artillery, 7th Armoured Division, Normandy, July 1944.



Tyre black	MMP-040	Gun metal	MMM-010	Semi gloss black	MMB-001	Khaki	MMP-060
White	MMP-001	Brown SCC2	MMP-130	Yellow green	MMP-021	Light Khaki	MMP-038
Light Sand	MMP-043	Brass	MMC-002	Aluminum	MMM-003	Green	MMP-004
Flat black	MMP-047	Silver	MMM-006	Mid bronze green	MMP-079	Mid stone	MMP-076

Option 3: (Late) C Troop, 304 (City of Dundee) Battery, 127th (Highland) Field Regiment,
Royal Artillery, 51st (Highland) Infantry Division, Normandy 1944 .



Tyre black	MMP-040	Gun metal	MMM-010	Semi gloss black	MMB-001	Khaki	MMP-060
White	MMP-001	Brown SCC2	MMP-130	Yellow green	MMP-021	Light Khaki	MMP-038
Light Sand	MMP-043	Brass	MMC-002	Aluminium	MMM-003	Green	MMP-004
Flat black	MMP-047	Silver	MMM-006	Mid bronze green	MMP-079	Mid stone	MMP-076

*Many thanks to below gentlemen to provide their assistance for this project.

- They are:
- Simon King
 - Andrew Gadd
 - Kurtis Tsang
 - Brian Keaney
 - Thomas Hartwig

