

1/48 SCALE L4810 WWII USAAF NORTHROP P-61B

'BLACK WIDOW' LAST SHOOT DOWN 1945

G.W.H.™

二战美国陆军航空队 诺斯罗普P-61B“黑寡妇”型战斗机 “最后的击坠” 1945



The famous Northrop P-61 Black Widow was the first operational U.S. military aircraft designed specifically for night interception.

In Nov 1940, according to the requirements of USAAC, Northrop began comprehensive design work on an aircraft which was to become the world's first dedicated night fighter. On 11th January 1941, the USAAF ordered two prototypes named XP-61 for flight testing. On 10th March, 13 YP-61s were ordered for Operational Suitability Tests. The P-61 was about the same size as a medium bomber and had a peculiar appearance: A long fuselage gondola built between two engine nacelles and tail booms. It was equipped with Pratt & Whitney R-2800-10 Double Wasp 18-cylinder radial engines, producing 2,000 hp (1,491 kW) each. At the end of the booms there were two vertical fins connected by a horizontal tailplane. The fuselage housed the radar at the front, a three-man crew, and the weapons system. The aircraft was armed with four 20mm M2 cannons and four .50cal (12.7 mm) M2 Browning machine guns. 2900 kg bombs could be loaded as well to accomplished missions such as interception, bombing, and scouting.

P-61绰号“黑寡妇”，是美国诺斯罗普公司研制的著名战斗机，也是世界上第一种实用的夜间型战斗机。

1940年11月，根据美国陆航的要求，诺斯罗普飞机公司提出的一个夜间战斗机计划获得了通过，并开始实施。1941年1月11日，陆航订购了两架XP-61原型机，紧接着于同年3月10日又订购13架YP-61作战适用性试验机。作为第一款夜间战斗机，P-61尺寸相当于中型轰炸机，外形结构奇特，机翼上两台2000马力R-2800“黄蜂”发动机向后延伸构成双后机身，尾端是双垂尾由中间安装的水平尾翼连接，中央机舱有机头雷达、驾驶舱和末端的射击员舱。武器装备有4门机炮和4挺机枪，还可携带2900千克炸弹，能完成截击，轰炸和侦察任务。虽然P-61投入现役已经是二战末期，但是它的身影却活跃在欧洲、地中海、太平洋、中国和印度。战争中的P-61夜间战斗机中队共击落了127架敌军飞机和18枚V1型火箭。

Once the Black Widow did get into action in late WWII, it was successful against a variety of targets in the European, Mediterranean, Pacific Theater, and Chinese Theater of Operations. The combat successes of P-61 NFS included 127 enemy fighter planes and bombers, and 18 V-1 buzz bombs. Until the end of WWII, Northrop produced 706 aircraft of the P-61 series. There are only 2 aircraft preserved: one is in National Museum US Air Force in Dayton, Ohio, USA and one is located in the China Aviation Museum in Beijing, China.

In the box art you can find a P-61B-2 named "Lady in the Dark" (s/n 42-39408) of the 548th NFS. The aircraft piloted by Lt. Robert W. Clyde and R/O Lt. Bruce K. LeFord on 14 August/15 August 1945 claimed a Nakajima Ki-44 "Tojo." It should be noted, though, that the destruction of the "Tojo" came without a shot being fired. After the pilot of the "Tojo" sighted the attacking P-61, he descended to wave-top level and began a series of evasive maneuvers which ended with his aircraft striking the water and exploding. The same P-61 had a similar incident the next day, after the official end of hostilities.

到战争结束时，诺斯罗普公司一共生产了706架飞机，目前世界上仅存有两架，一架收藏在美国俄亥俄州代顿的美国空军博物馆，另一架在中国的北京航空学院。

封绘编号239408是一架隶属于第548夜间战斗机中队被命名为“黑暗中的女士”的P-61B-2战机。机组成员是驾驶员Robert W. Clyde中尉和雷达操作员Bruce K. LeFord中尉。在1945年8月14日/15日声称击落一架日军中岛二式战斗机“Tojo”。但必须注意的是二式战斗机坠毁前未发一炮，该机飞行员发现P-61后，就下降到海平面高度并试图开始一连串的规避动作，但因高度太低导致撞击海面引发爆炸。因此官方始终没有确认Robert W. Clyde中尉和Bruce K. LeFord中尉的这一可能是二战最后的击落敌机的战果。该机在第二天，即战争正式结束后，竟然发生同样的事故。

△注意:

1. 勿於近火處使用膠水或油漆，並打開窗戶保持空氣流通。
2. 塗料的號碼請參考本欄以下的說明。本品本身不包括膠水和塗料。
3. 自膠架中取出部件時，應用模型專用剪，並用介刀或小挫除去多餘膠料。
4. 各圖形的含義可參考本欄以下的說明。

△CAUTION:

1. When you use glue or paint, do not use near a open flame, and use in a well-ventilated room.
2. See below for the color list. Glue and paint are not included in this kit.
3. When you take parts off the runner frame, use the modeling scissors and trim excess plastic with a cutter or a file.
4. See below for the meaning of symbols.

組み立ての注意:

1. 接着剤や塗料は火の近くで使わないで下さい、使用の際は換気をよくして下さい。
2. 塗料指定のは下記のとおりです、接着剤や塗料は入っていませんので別に求めて下さい。
3. 部品のランナーから切り離す時は模型用ハサミ等を使い、余分な部分はカッターやヤスリ等で仕上げして下さい。
4. 組立図のサインマークは下の説明を御覧下さい。



穴を埋めて下さい



デカールを貼って下さい



切り取って下さい



接着して下さい



穴をあけて下さい



反対側も取り付けます



折り曲げて下さい



2個作って下さい



接着しないで下さい



瞬間接着剤(金属用)

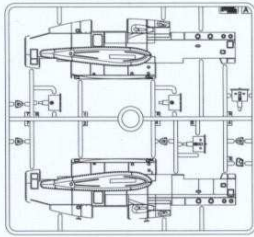


どちらがを選んで下さい

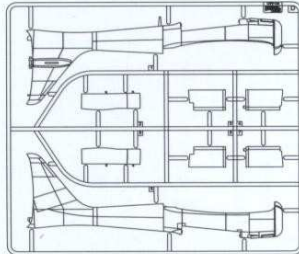


注意して下さい

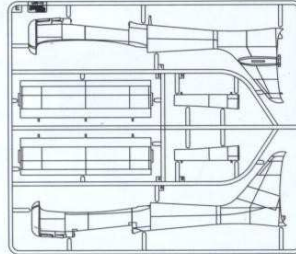
**A PARTS** ×1



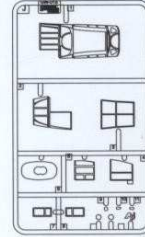
**D PARTS** ×1



**E PARTS** ×1



**J PARTS** ×1



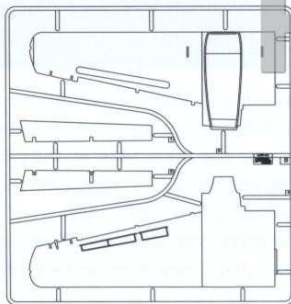
**K PARTS** ×1



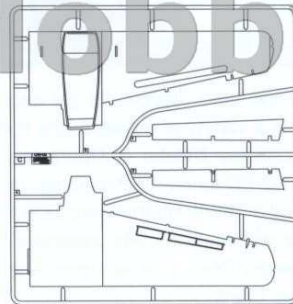
**M PARTS** ×2



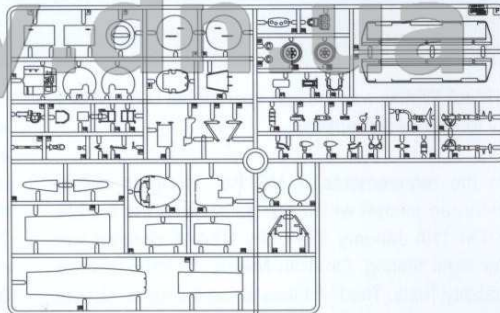
**B PARTS** ×1



**C PARTS** ×1



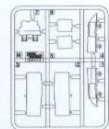
**F PARTS** ×1



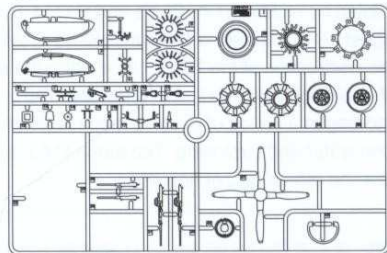
**N PARTS** ×2



**H PARTS** ×1



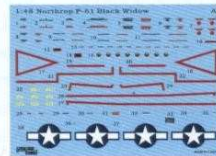
**I PARTS** ×2



**PE PARTS** ×1



**DE A PARTS** ×1



**DE B PARTS** ×1



**PLASTIC BEAMS ROUND** Ø0.4mm  
**PARTS** ×1



**Z PARTS** ×1

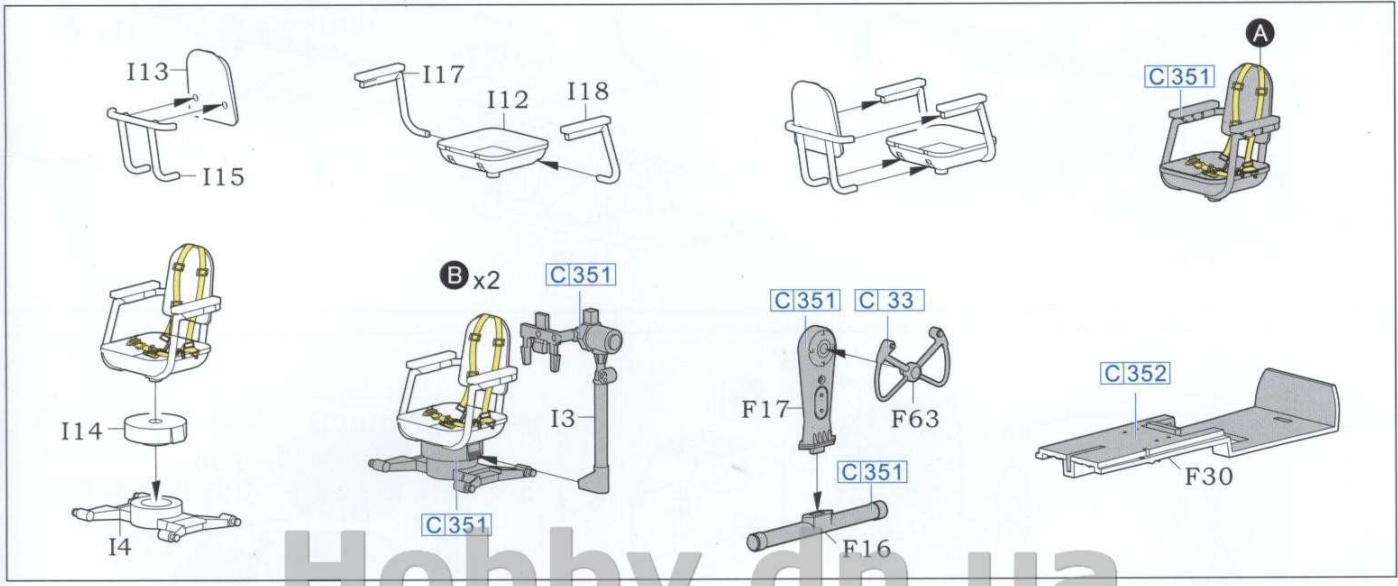
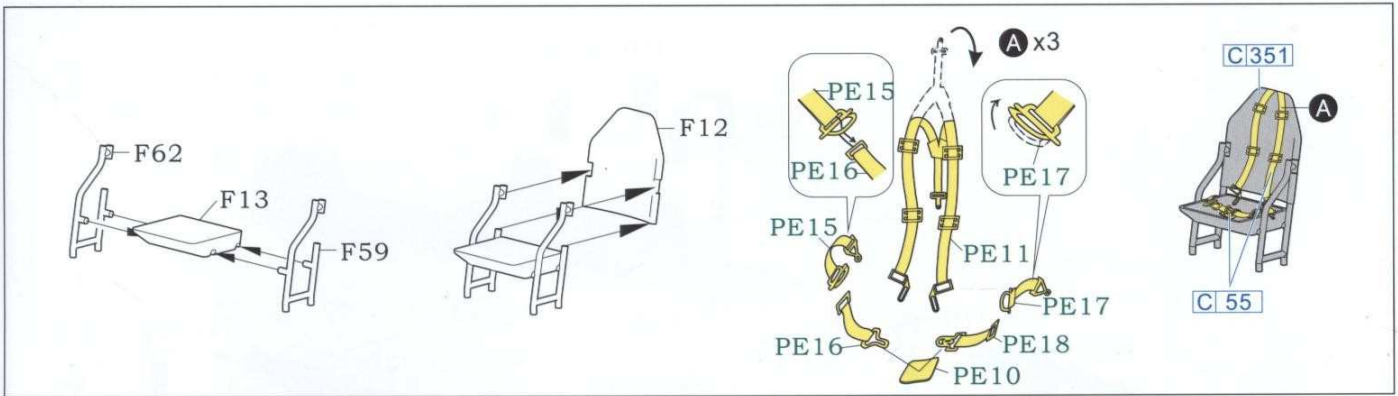


**C000 GSI CREOS CORP.HOBBY COLOUR**

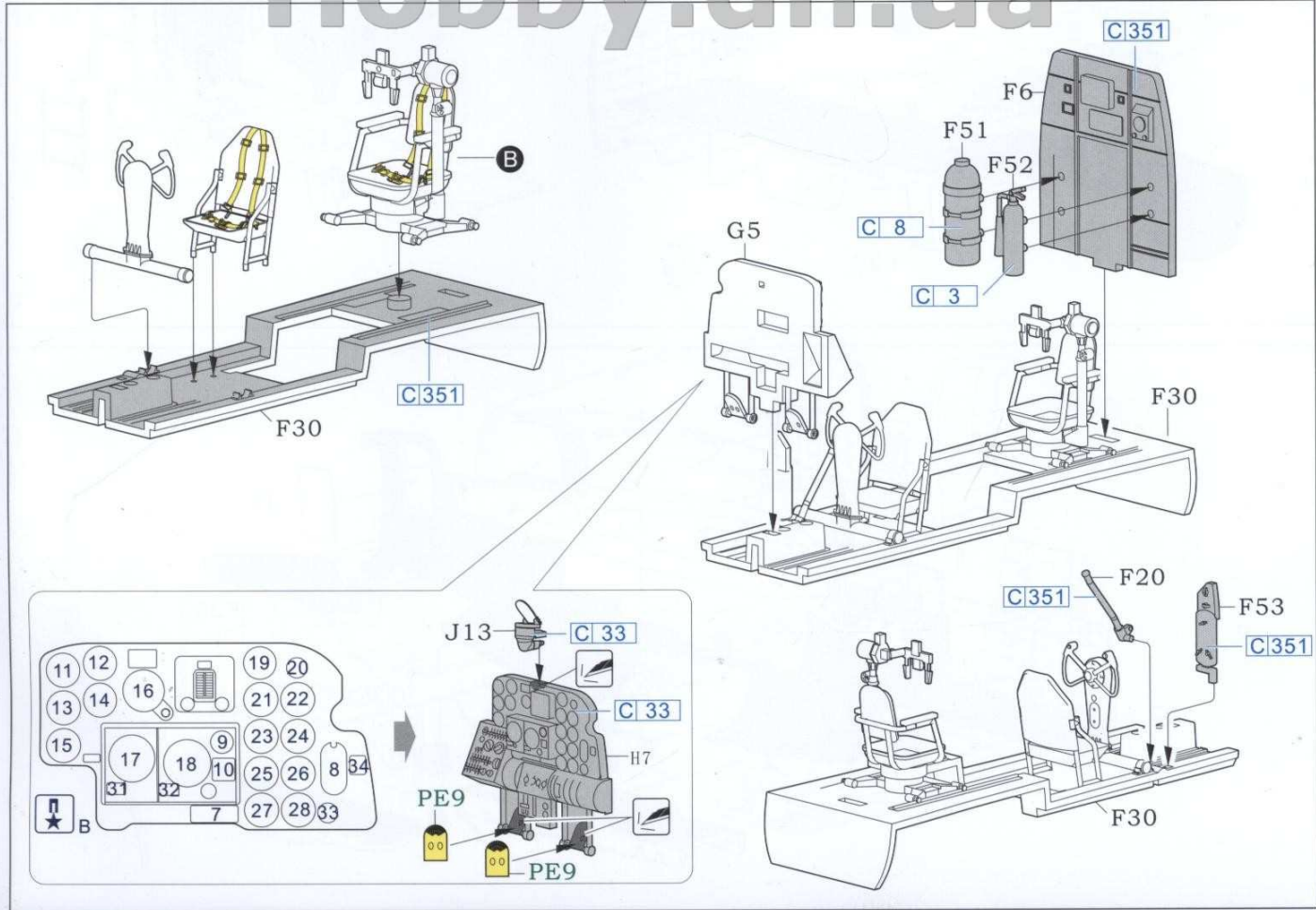
C 3	926	红色	Red
C 8	997	银色	Silver
C 13	050	中灰	Neutral Gray
C 33	073	哑黑色	Flat Black
C 55	988	卡其色	Khaki
C 78	863	金属黑	Metal Black
C137	862	轮胎黑	Tire Black
C316	001	白色	White
C340	967	原野绿	Field Green
C352		美军机内黄色	Chromate Yellow Primer

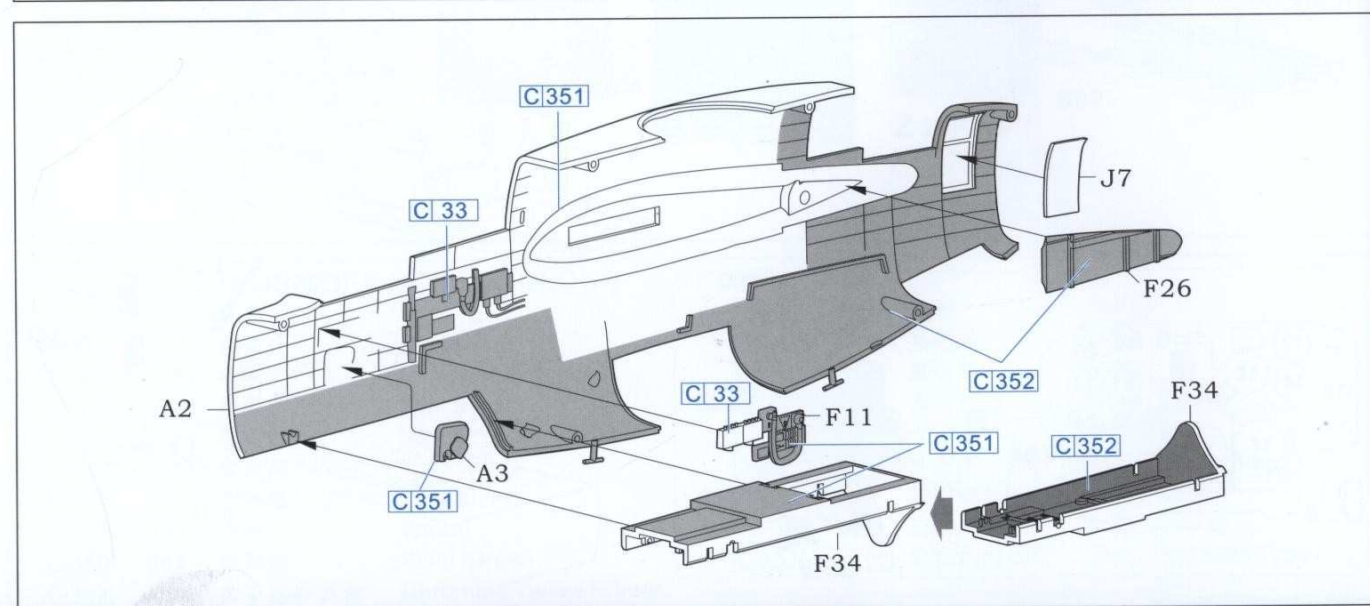
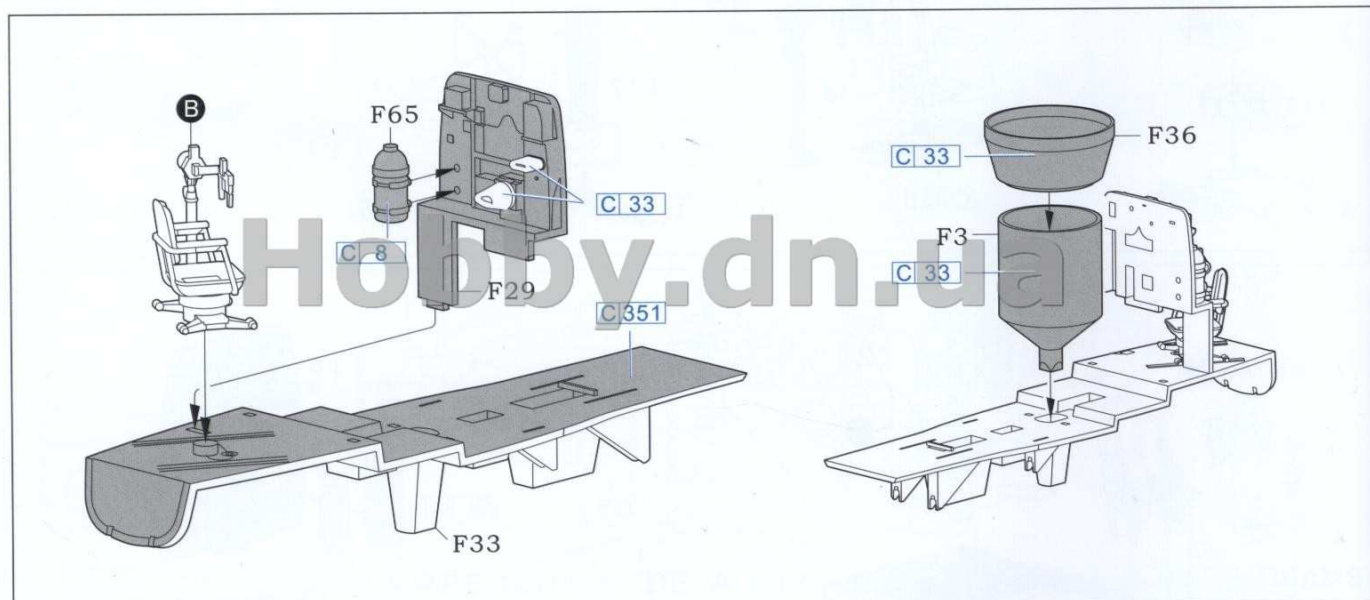
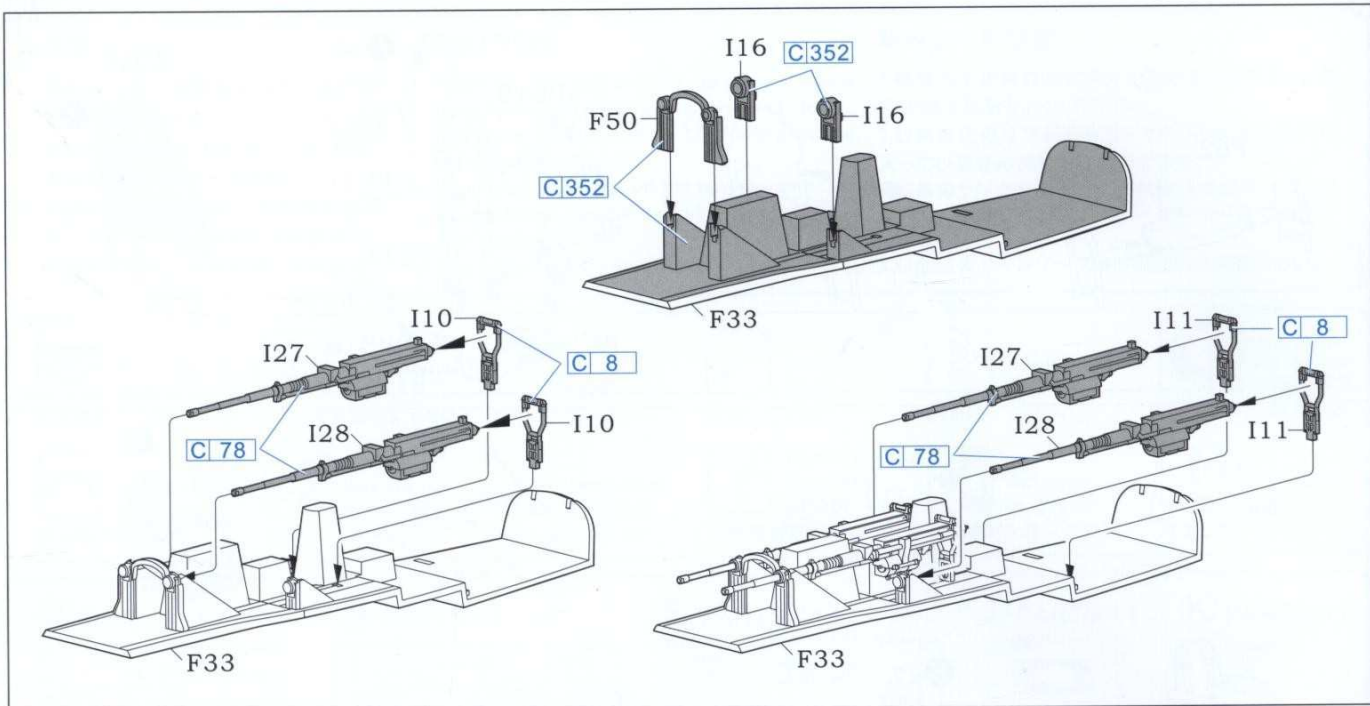
**000 VALLEJO**

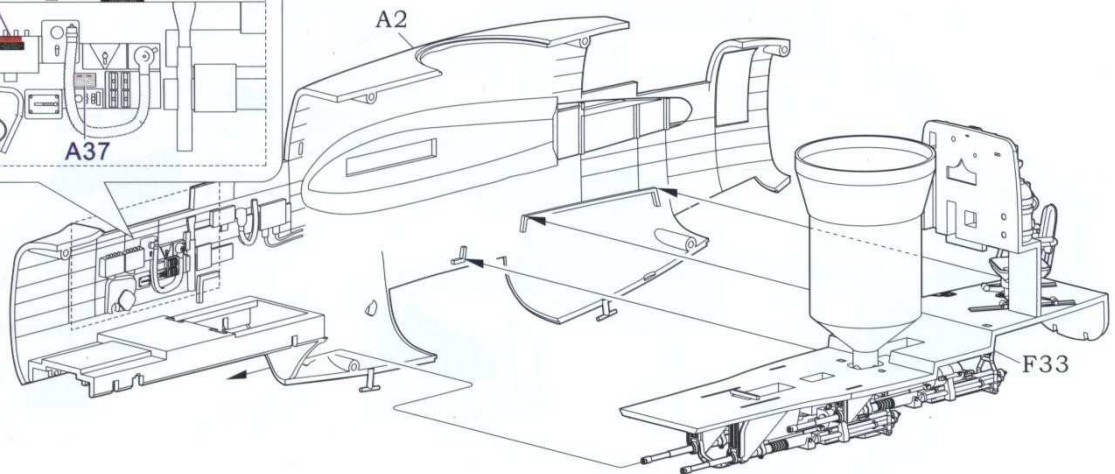
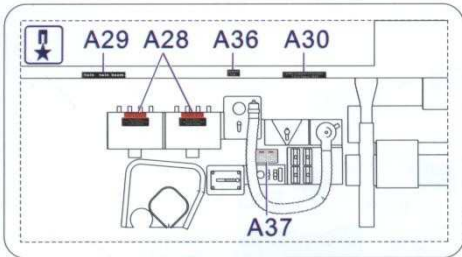
C 4	915	黄色	Yellow
C 12	043	橄榄褐	Olive Drab
C 28	800	黑铁色	Steel
C 47	934	透明红色	Clear Red
C 61	865	烧铁色	Burnt Iron
C 92	057	半光黑	Semi Gloss Black
C138	936	透明绿色	Clear Green
C339	994	引擎灰色	Engine Gray
C351		美军机内绿色	Zinc-Chromate Type I



Hobby.dn.ua

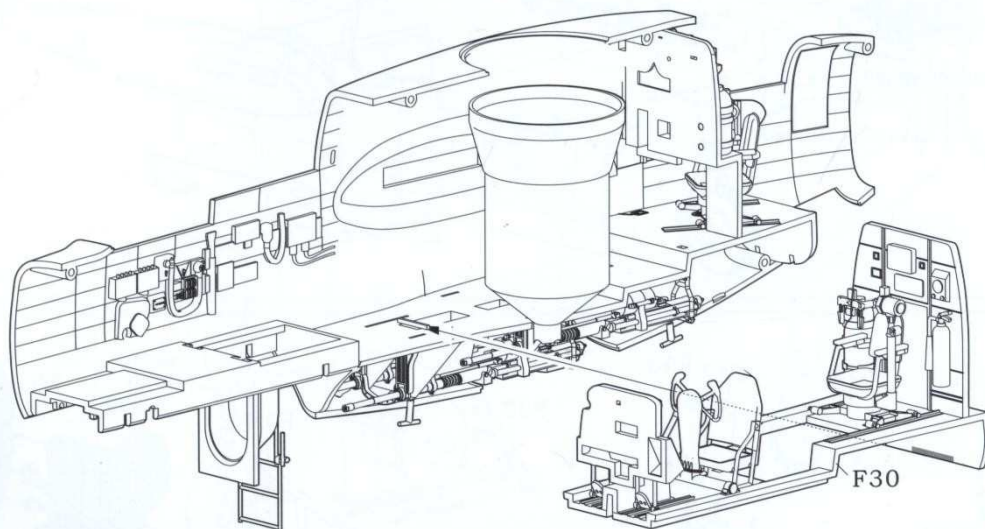
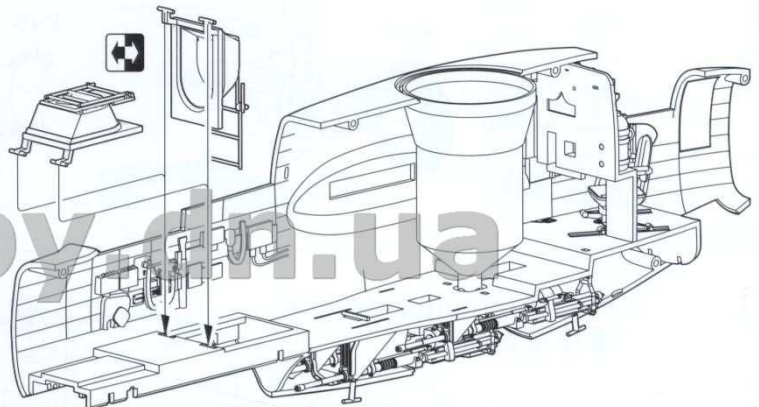
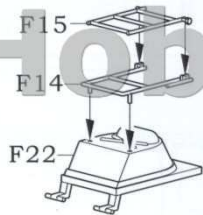
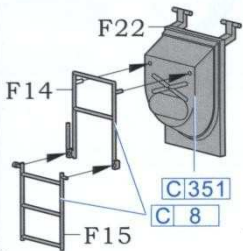


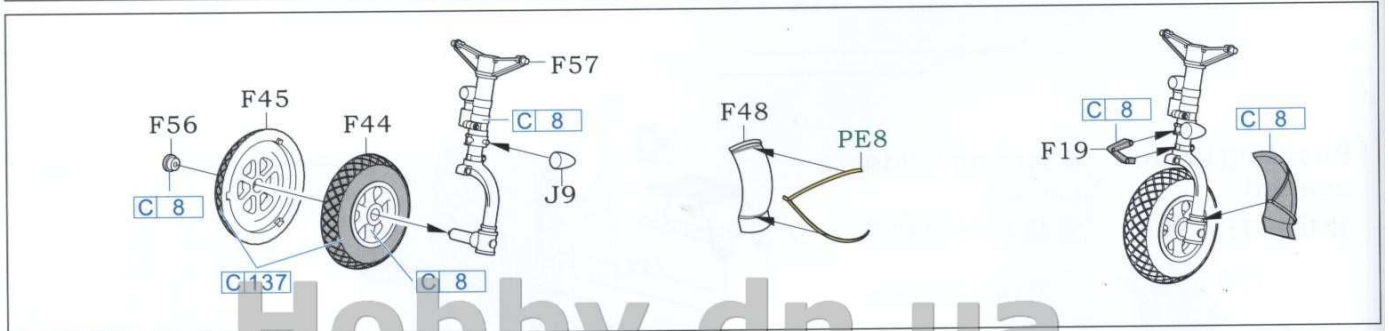
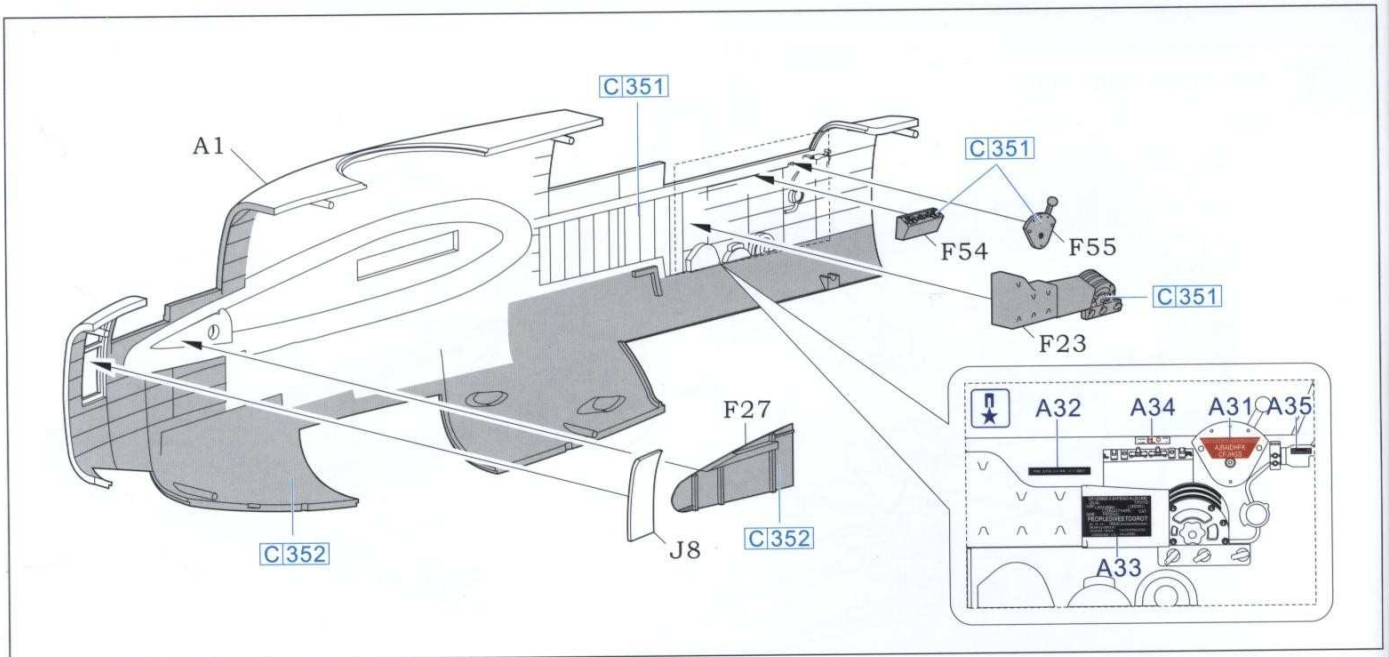




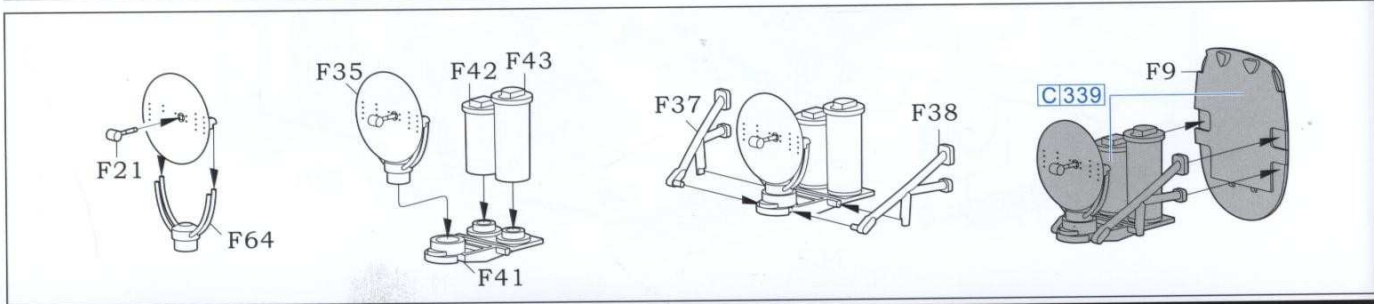
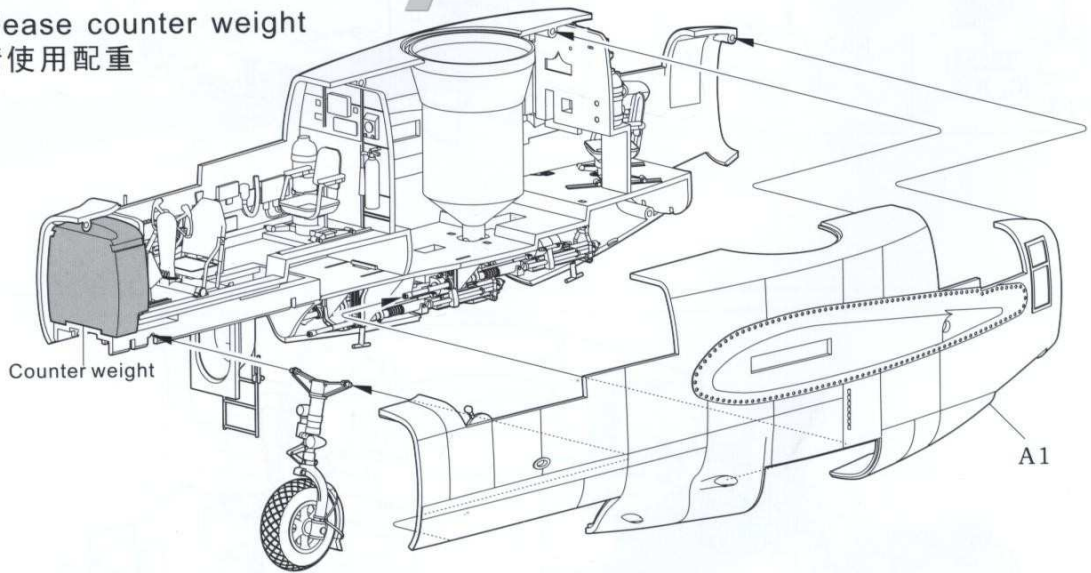
Boarding ladder  
opened  
登机梯打开状态

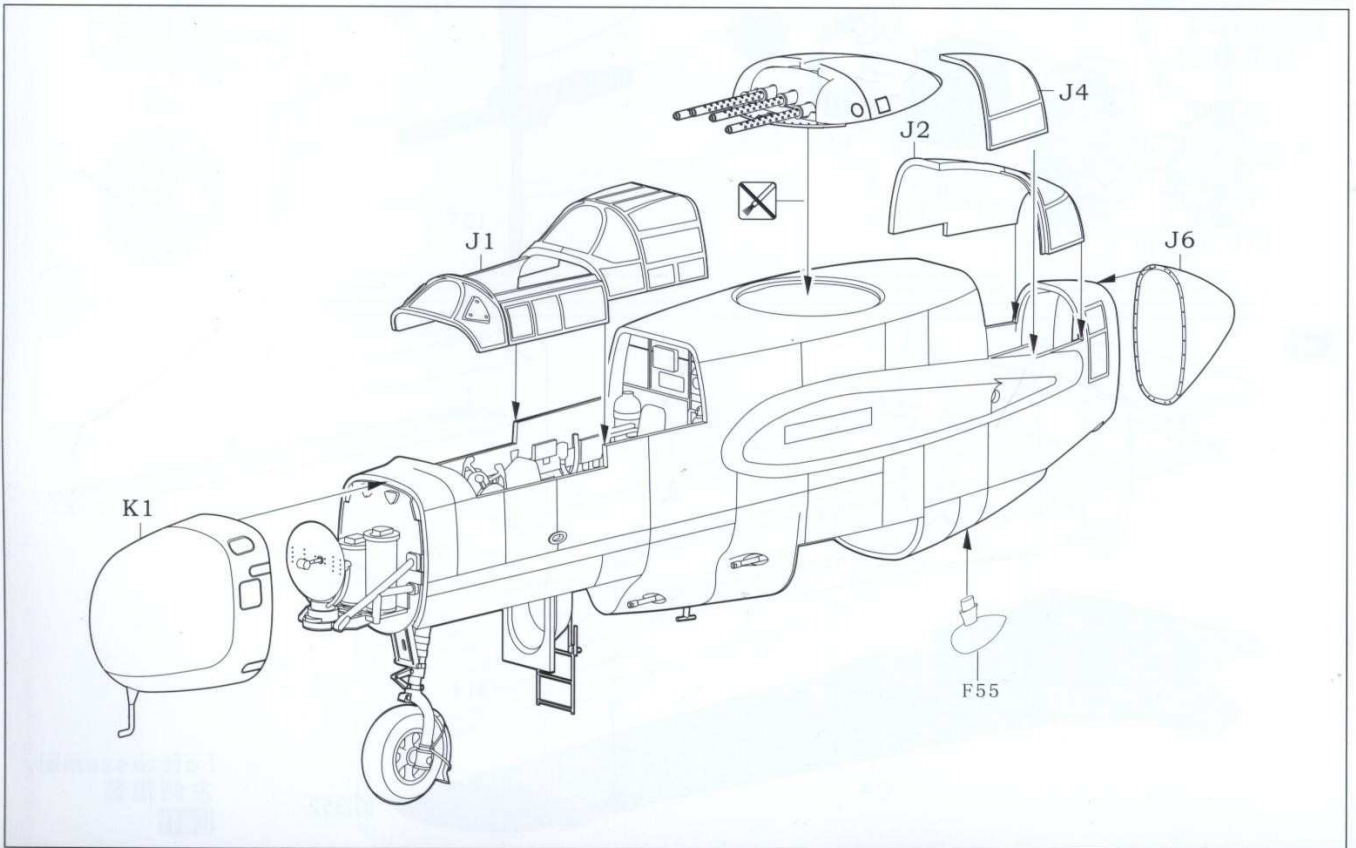
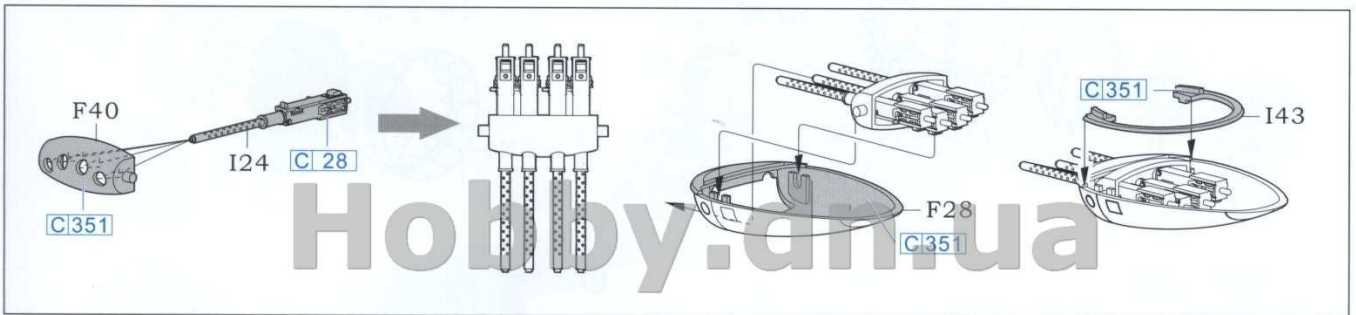
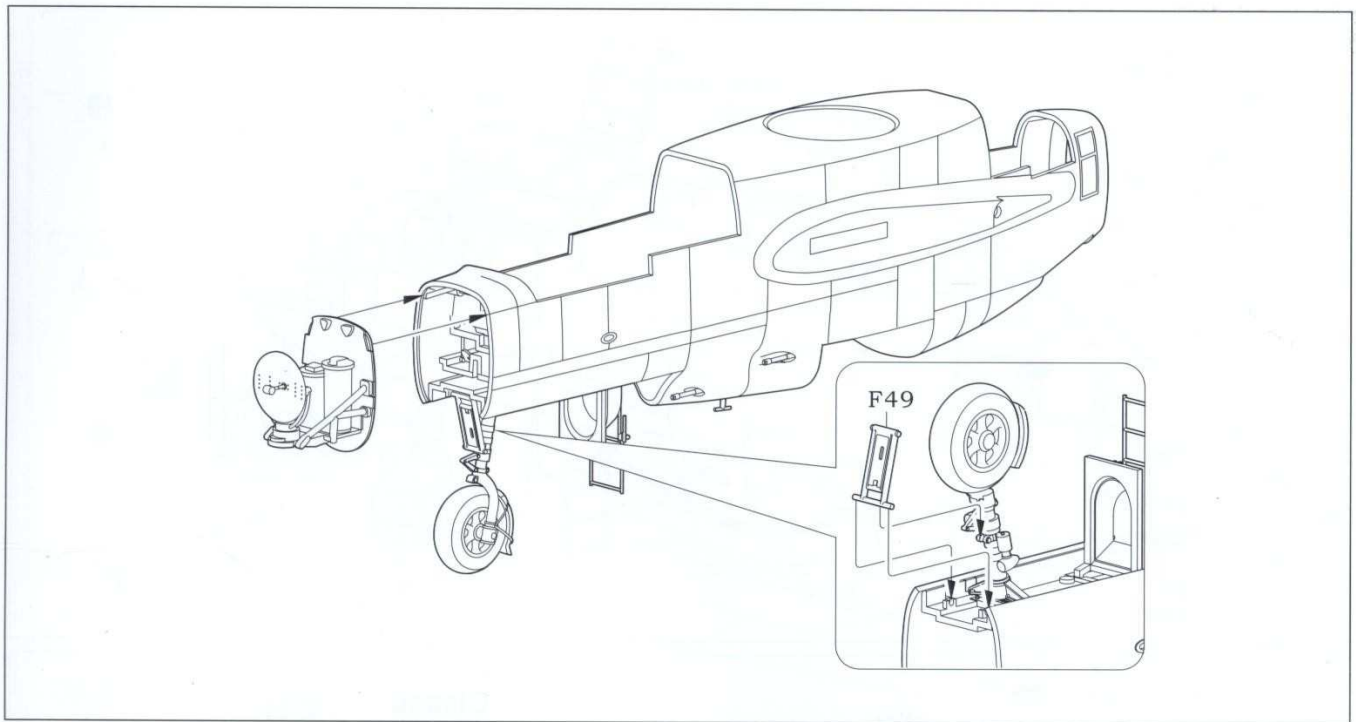
Boarding ladder  
closed  
登机梯关闭状态

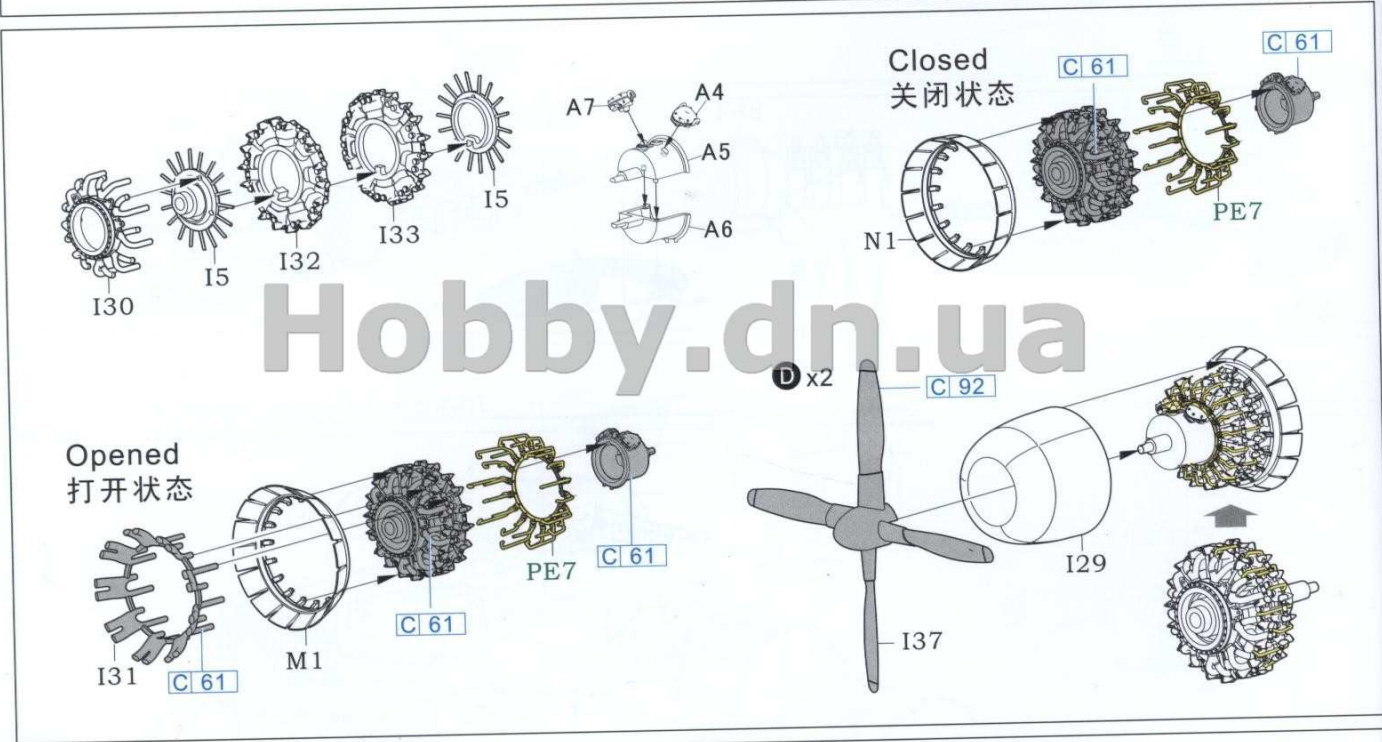
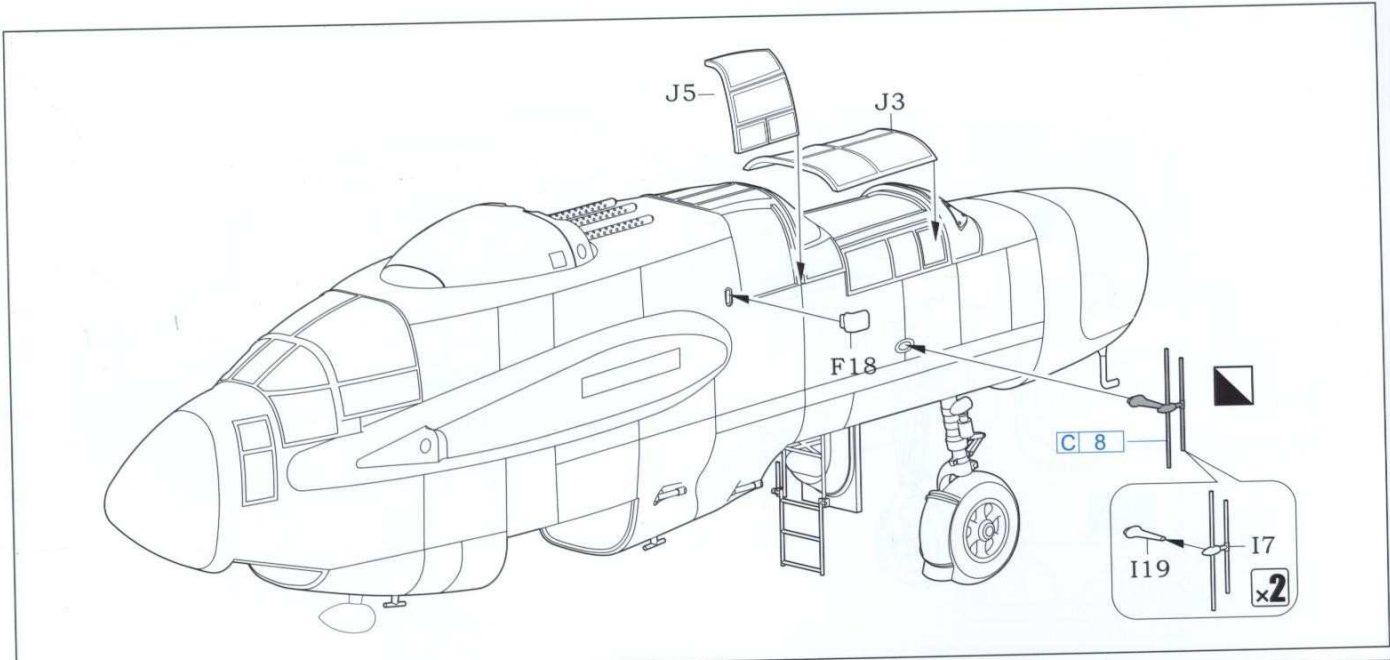




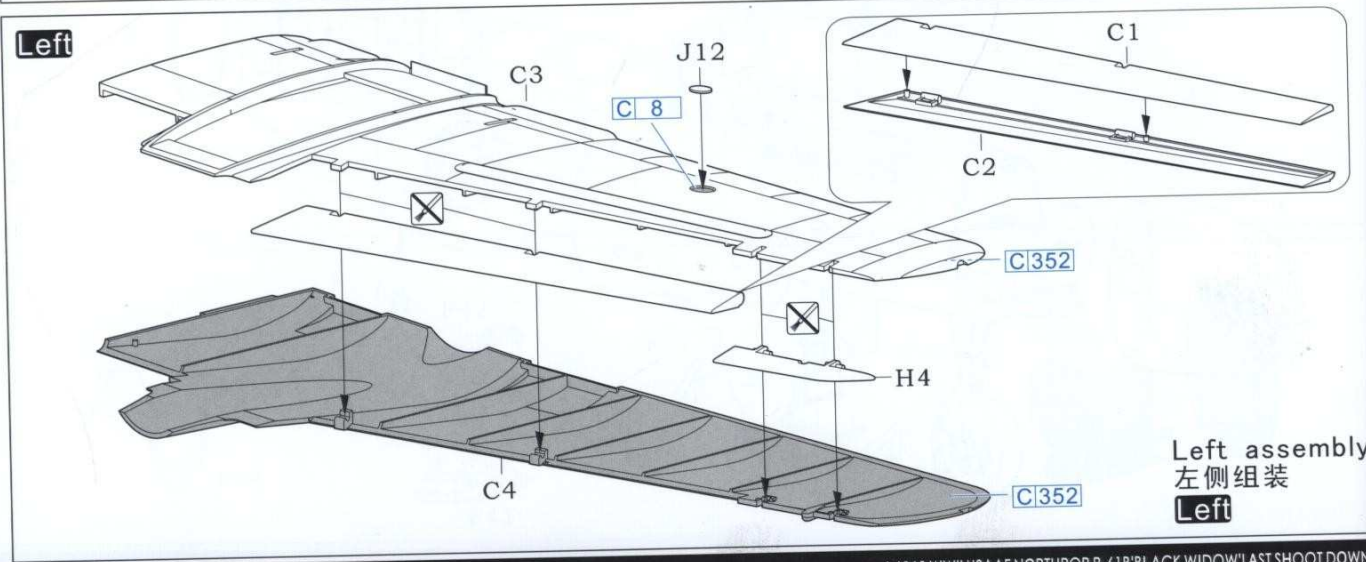
Please counter weight  
请使用配重





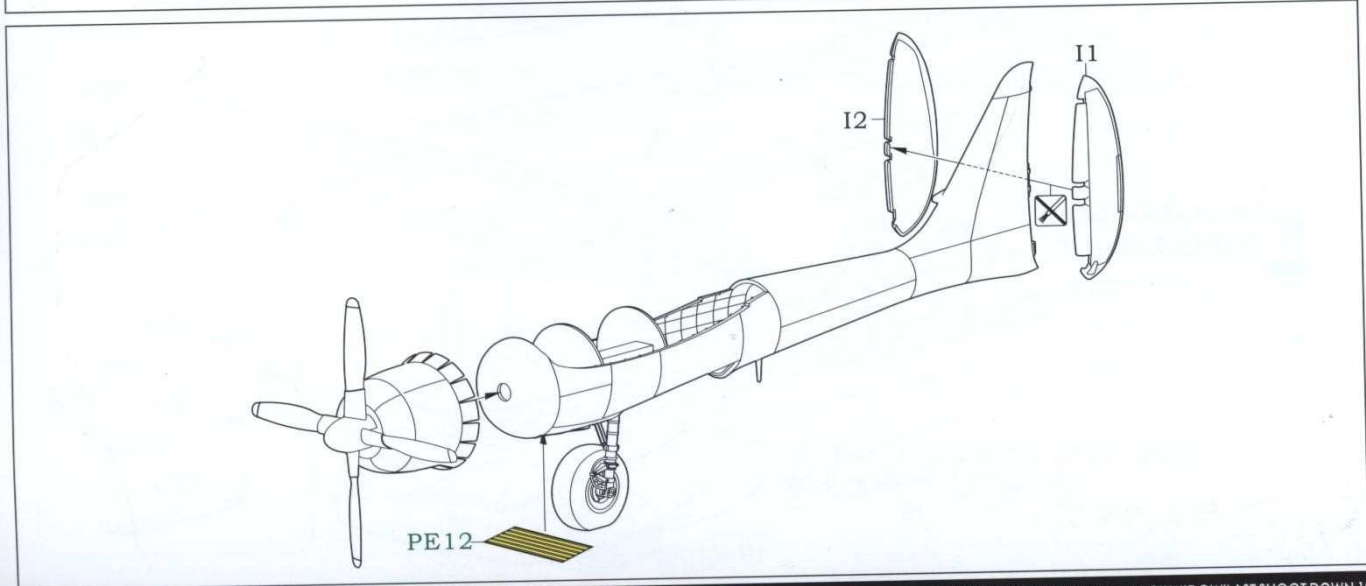
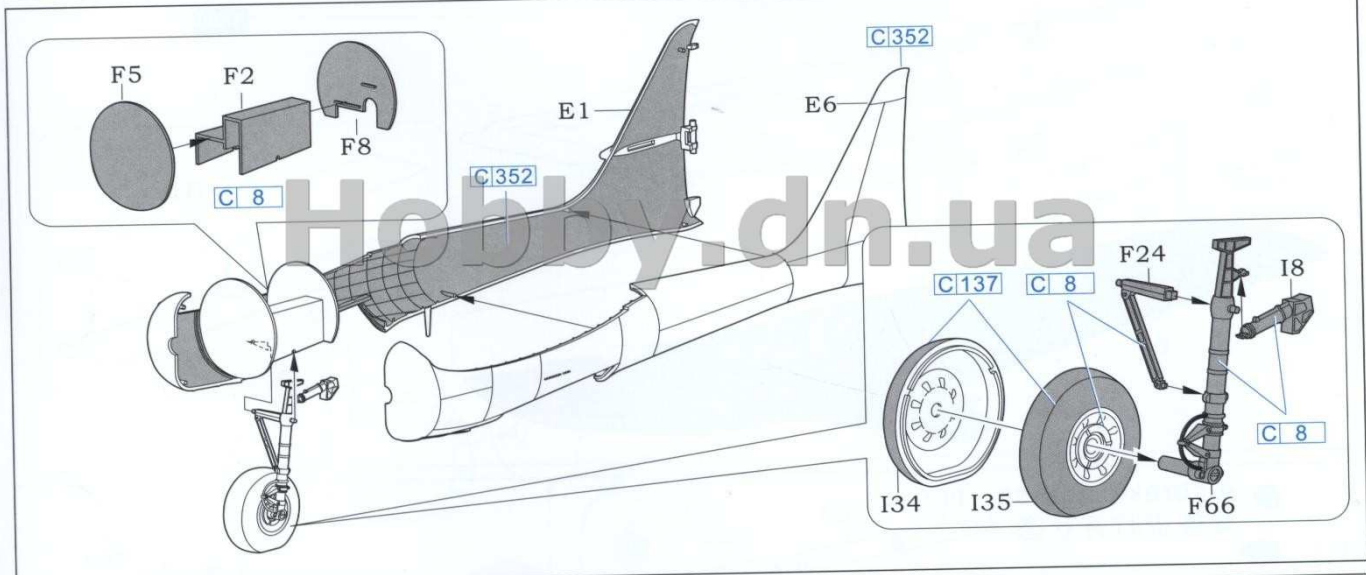
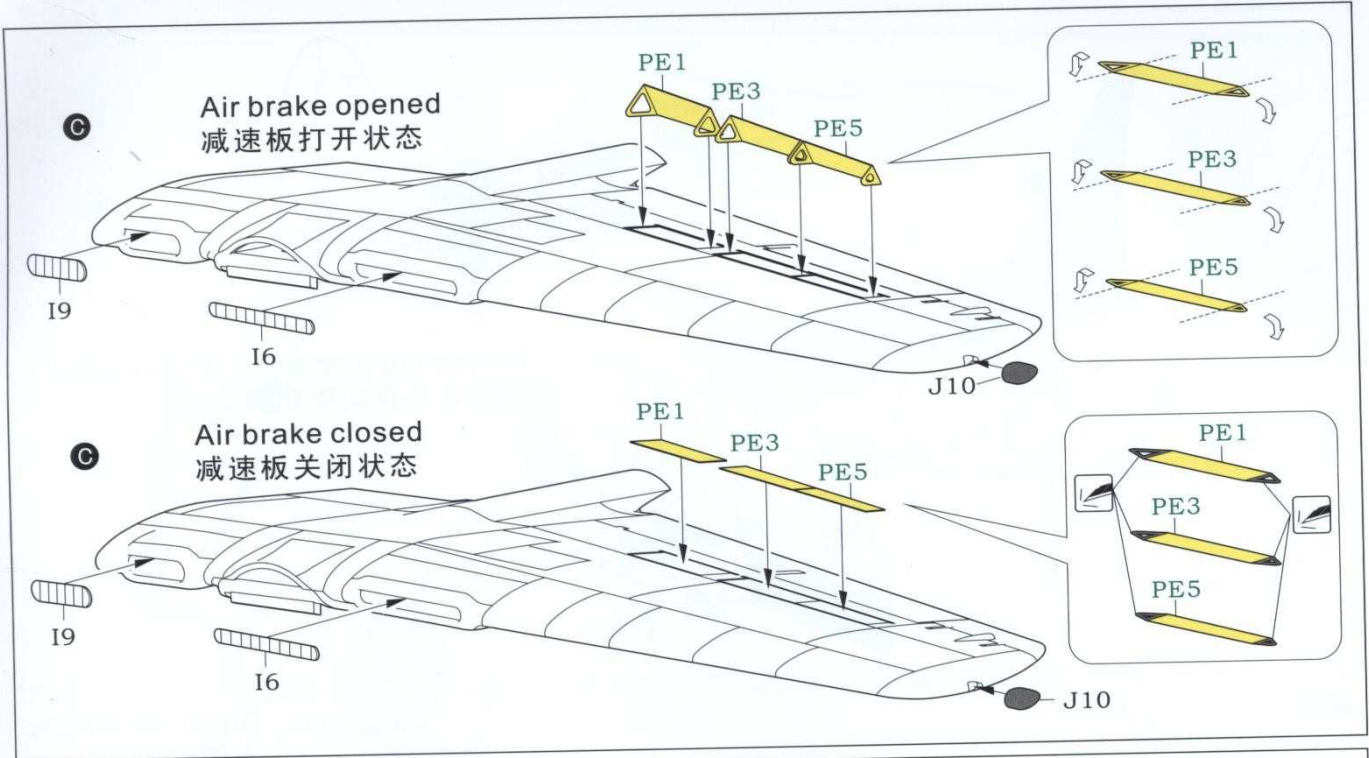


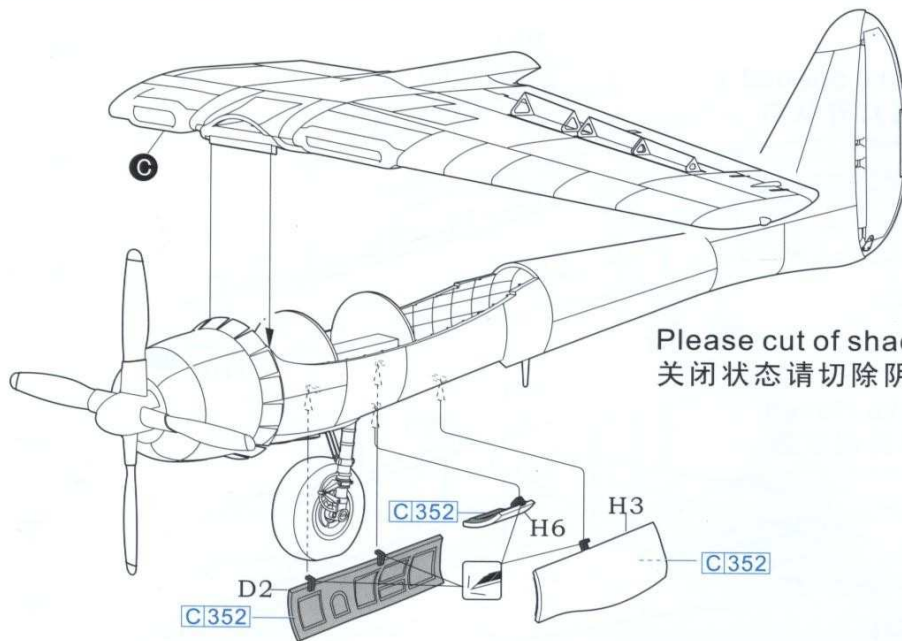
Hobby.dn.ua



Left assembly  
左侧组装  
Left

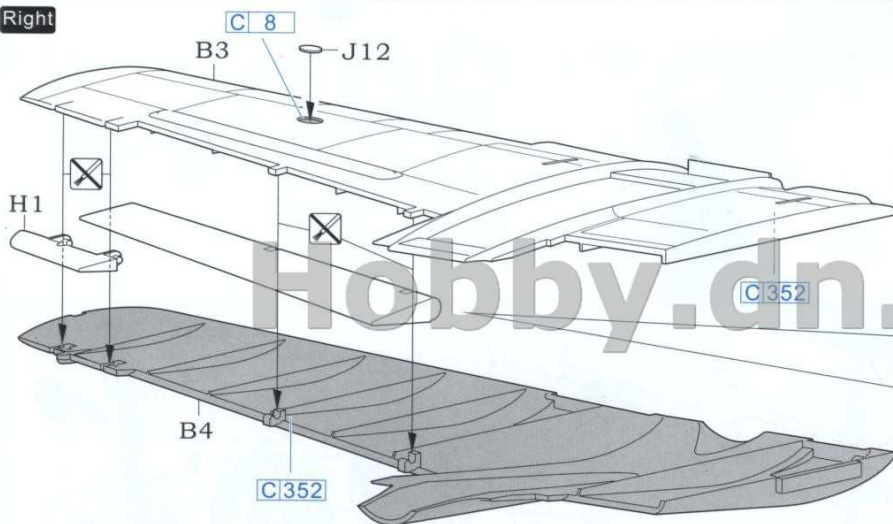




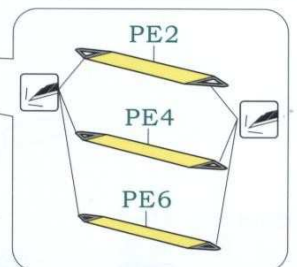
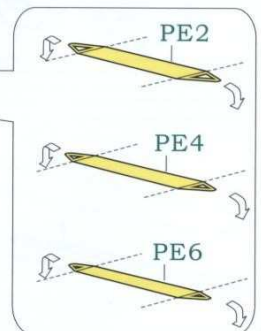
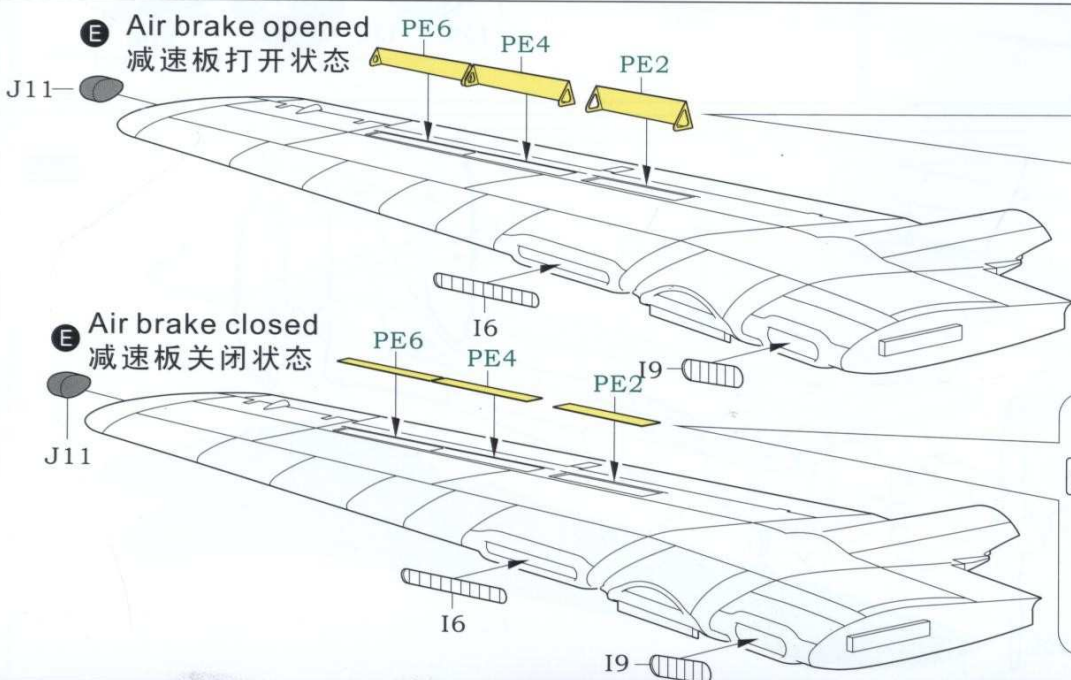
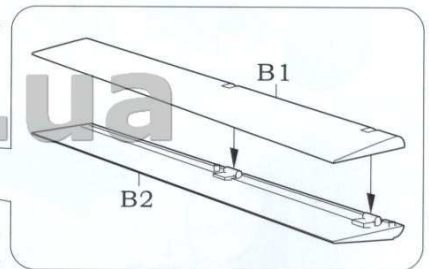


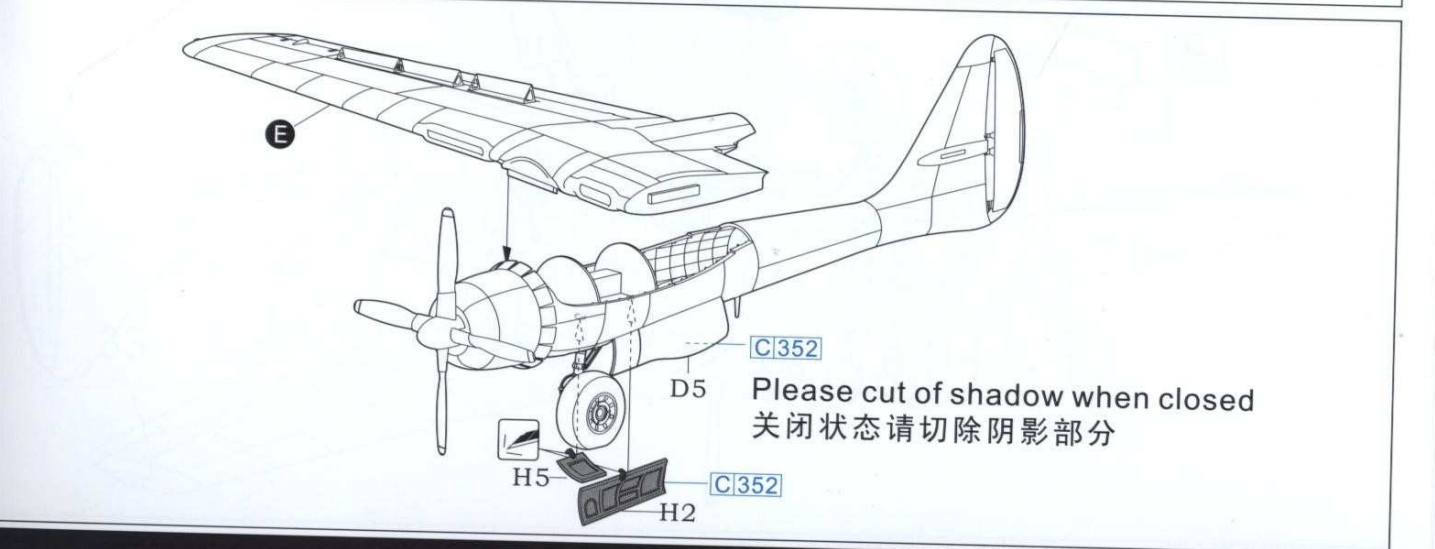
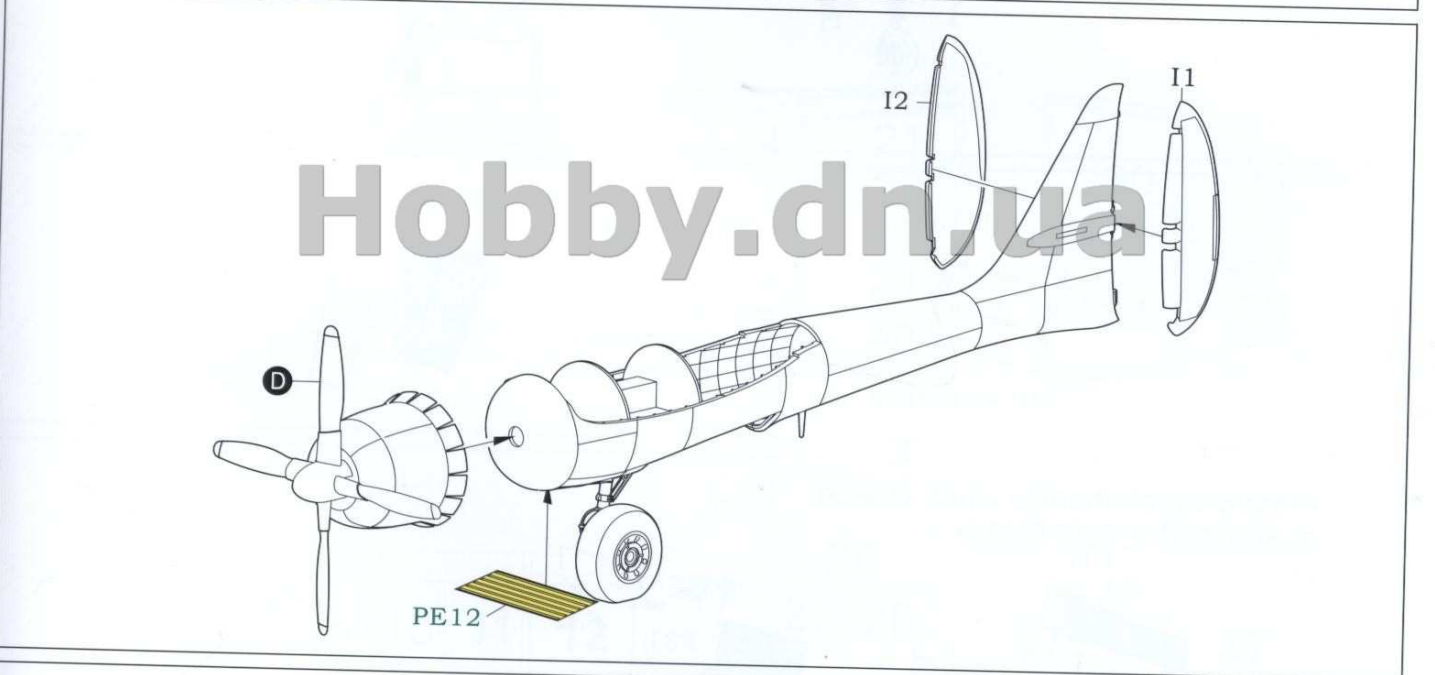
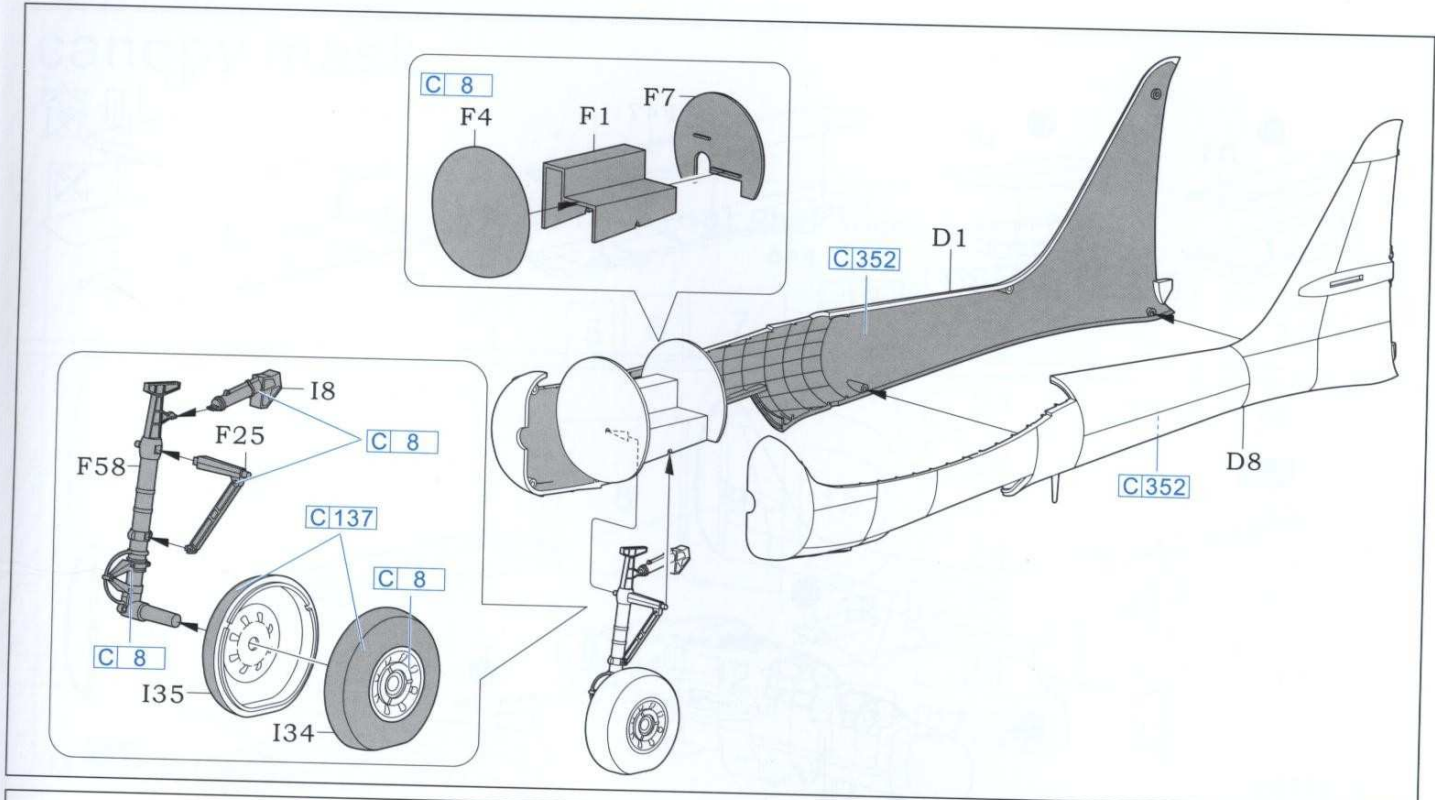
Please cut of shadow when closed  
关闭状态请切除阴影部分

Right

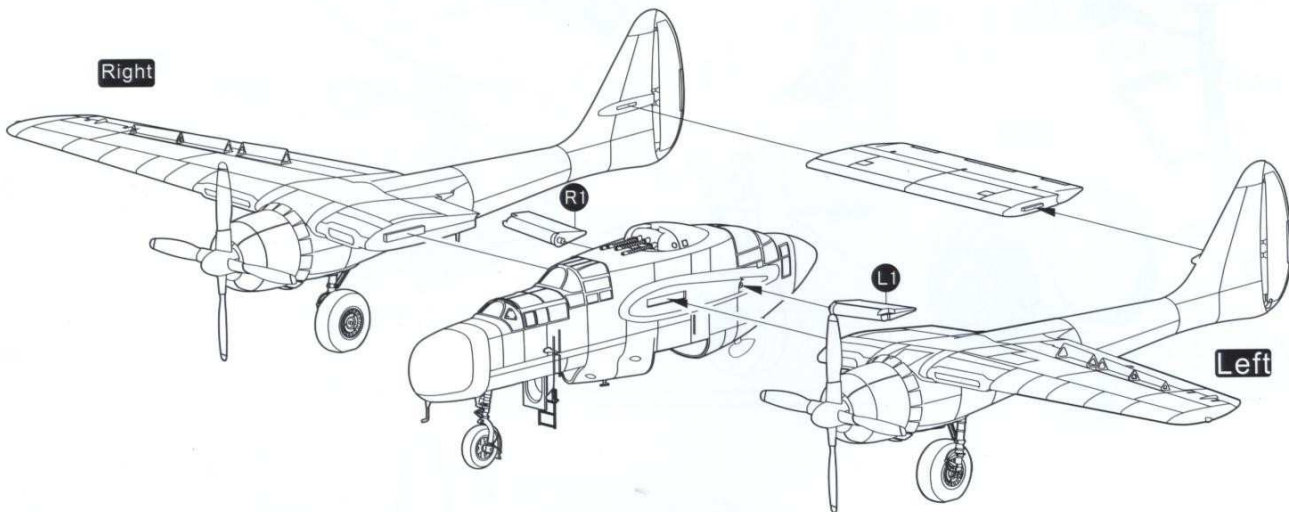
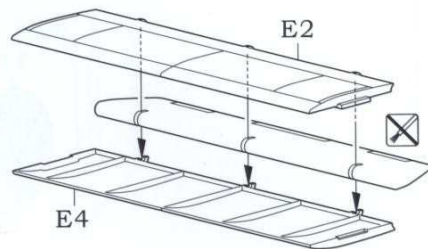
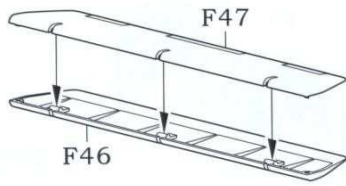
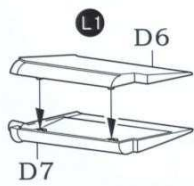
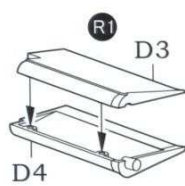


Right assembly  
右侧组装  
Right

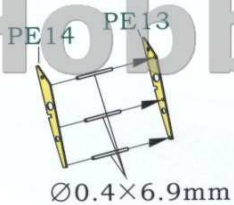




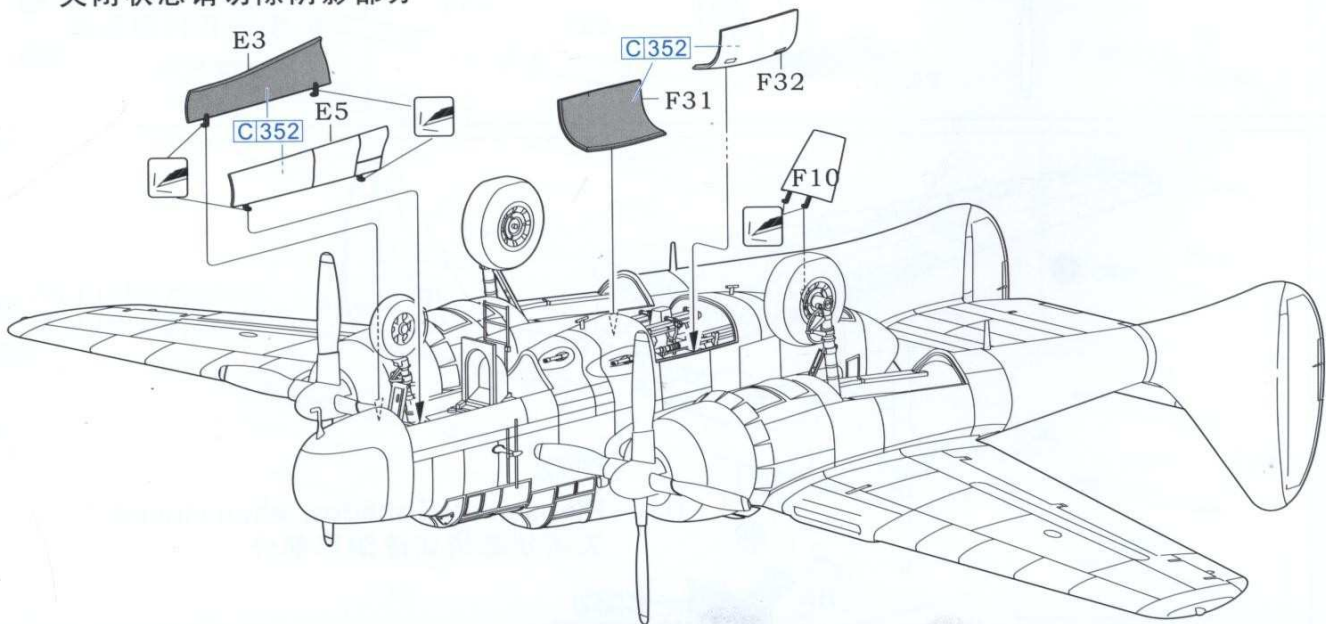
Please cut of shadow when closed  
 关闭状态请切除阴影部分



Hobby.dn.ua



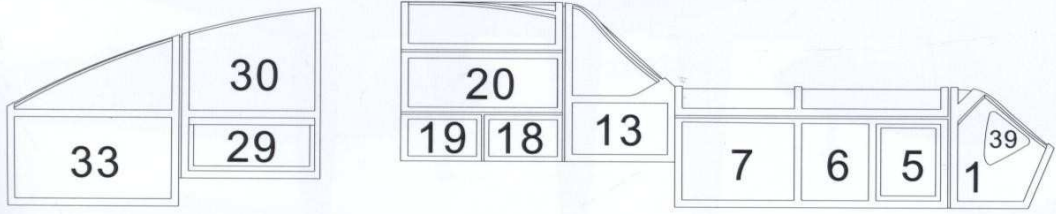
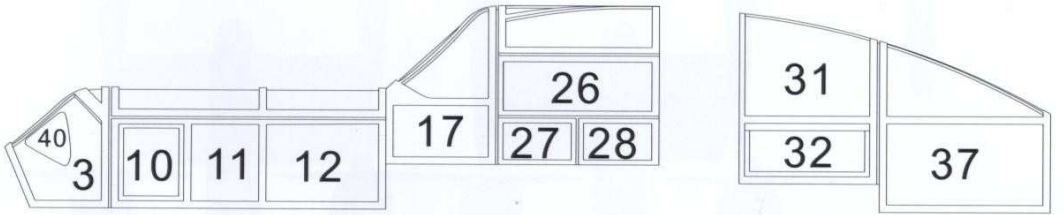
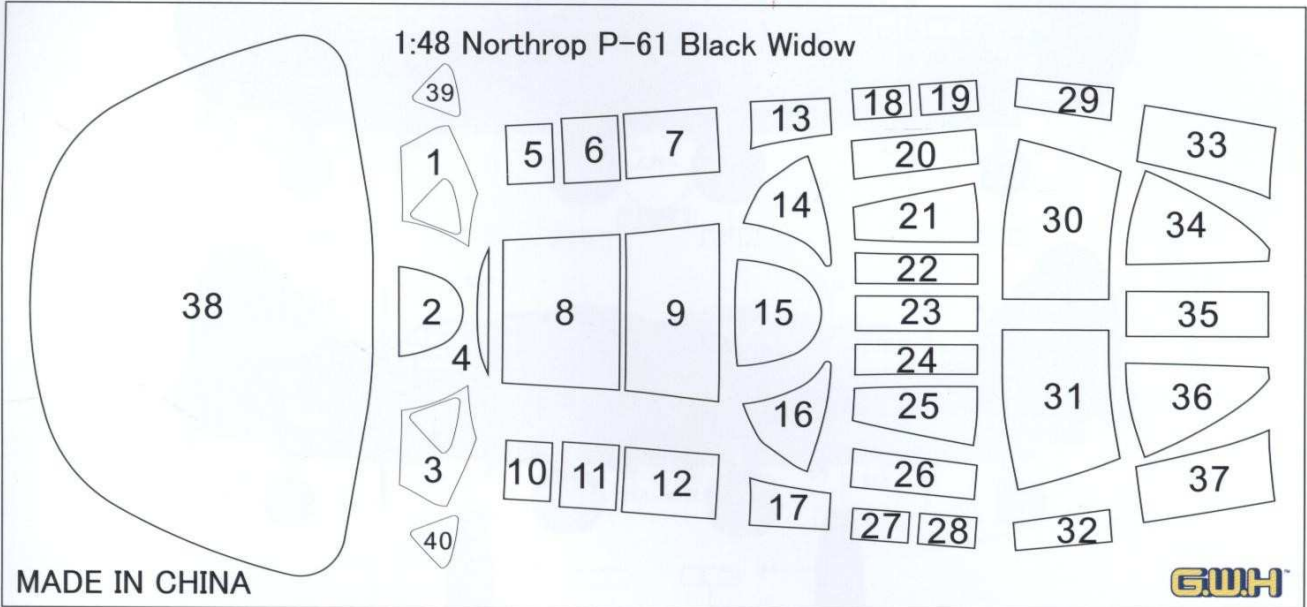
Please cut of shadow when closed  
关闭状态请切除阴影部分



# canopy mask

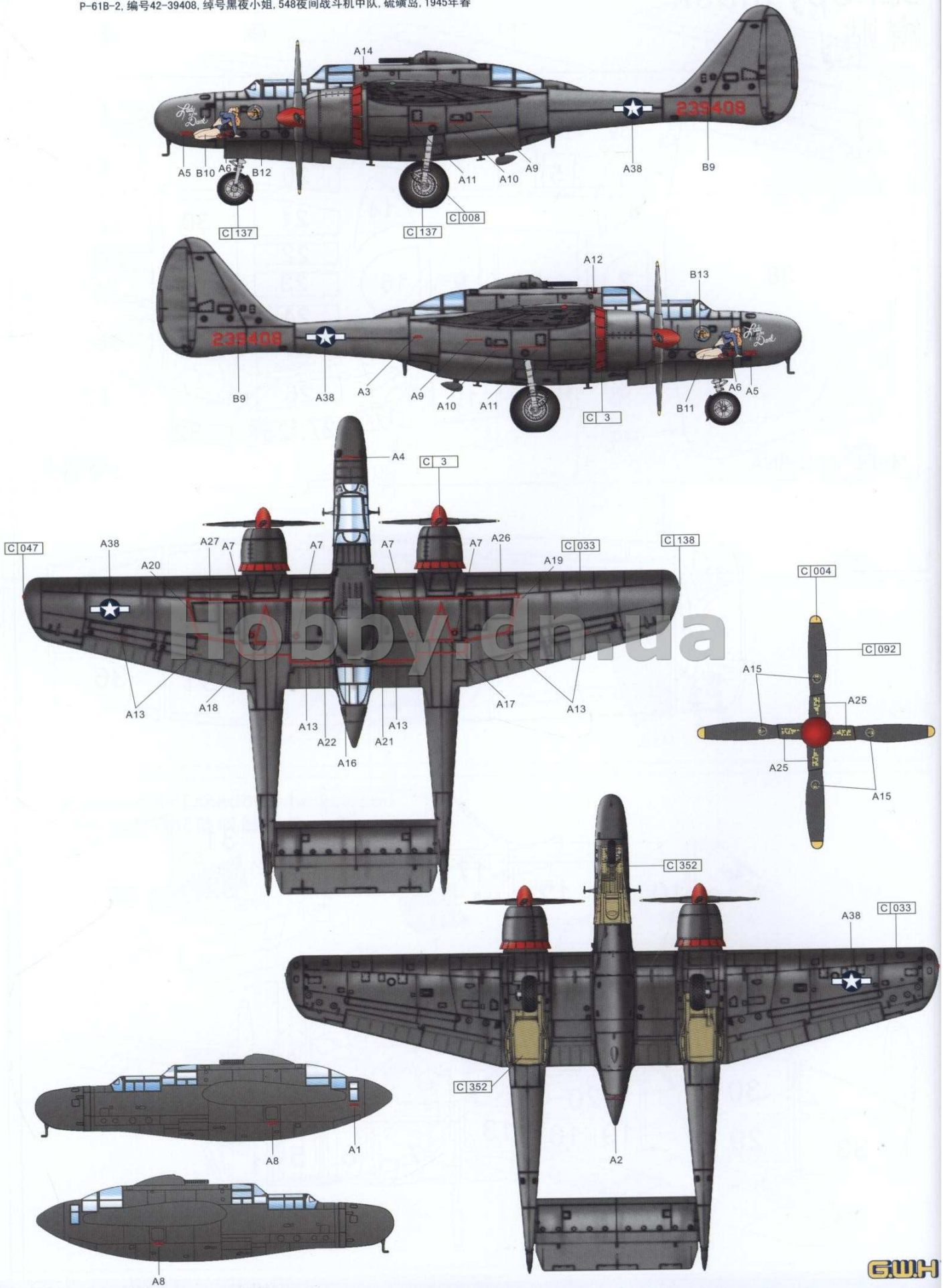
## 窗贴

1:48 Northrop P-61 Black Widow



# L4810 1/48 Northrop P-61B 'Black Widow' Last Shoot Down 1945

P-61B-2 42-39408 Lady in the Dark, 548th NFS, Iwo Jima, Spring 1945  
P-61B-2, 编号42-39408, 绰号黑夜小姐, 548夜间战斗机中队, 硫磺岛, 1945年春



**[4810] 1/48 Northrop P-61B 'Black Widow' Last Shoot Down 1945**

P-61 B-1 42-39405 Victory Model/ "ANONYMOUS" III/The SPOOK, 548th NFS, Iwo Jima, April 1945  
P-61 B-1 编号42-39405, 绰号胜利模范/无名者III/幽灵, 548夜间战斗机中队, 硫磺岛, 1945年4月

