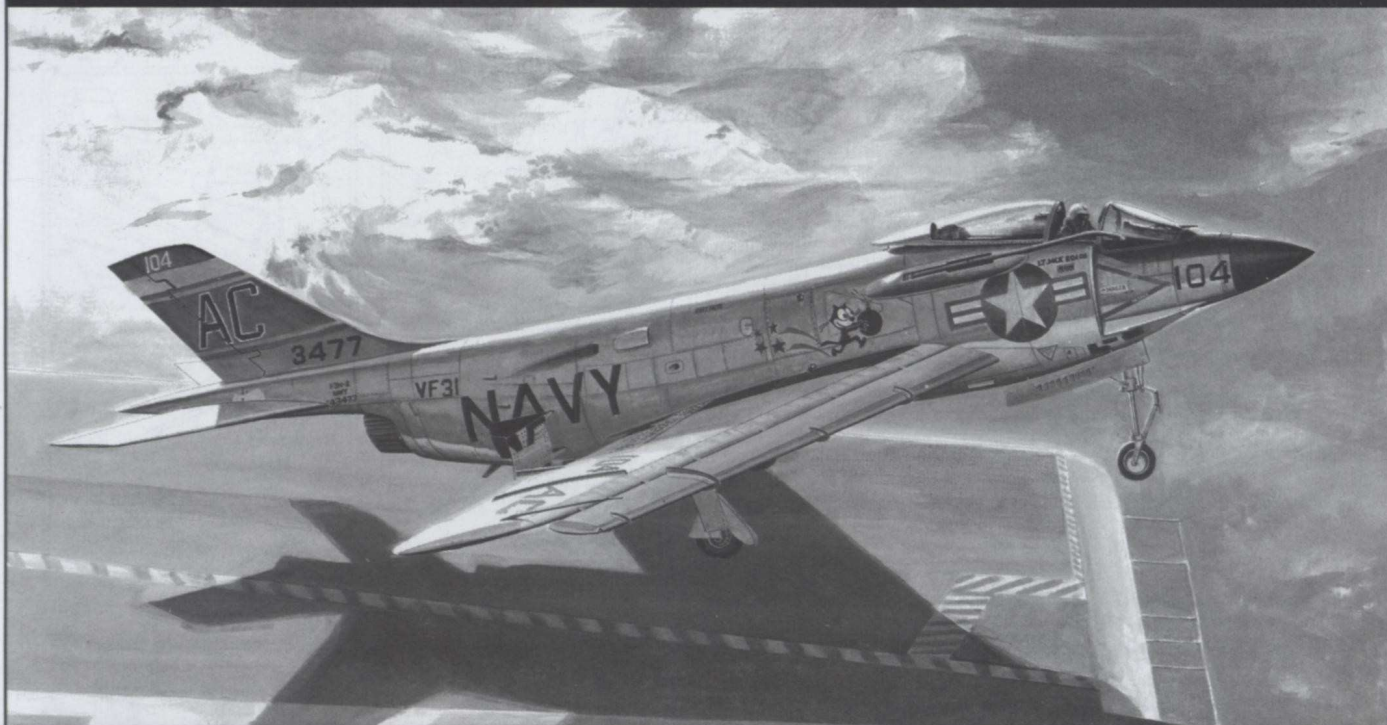


1/48 Scale

ITEM NO.:80364



F3H-2 Demon

F3H-2 デーモン

美国F3H-2“恶魔”

hobby.dp.ua

PLEASE READ BEFORE OPERATION!

- * Tools recommended as below: (Not included)
Adhesives; Paints; Side Cutters; Sharp Edged Pliers; Modeling Knife; Modeling File; Nippers; Drill; Scissors; Sand Paper; Soft Cloth; Cyanoacrylate Glue.
- * Make sure to read this instruction listed below before assembling.
- * The kit contains the small parts, they can be dangerous if swallowed by mistake, so keep them away from reach of children.
- * Cut the all parts off carefully and remove the waste parts into the garbage can.
- * More caution and care should be needed for cutting and handling the photo etched parts.
- * Make attention that some parts should be attached the decal when assembled.
- * During assembling, please tear up and throw away the plastic bags, or may cause the dangerous if wearing over head by children's mistake.
- * When using the adhesives and paints, please do not use them in the closed room or near the fire, also must be very careful to protect your eyes, face and clothes.
- * Adult supervised when assembled by children under 14 years old.

装配前请仔细阅读:

- * 推荐使用的模型工具(请自备):
专用模型胶水, 专用模型油漆, 水口剪刀, 长咀钳, 刀片, 锉刀, 镊子钳, 钻, 剪刀, 软布, 砂纸, 瞬间快干胶等。
- * 用水口剪刀或刀片小心切下所有塑胶零件和蚀刻片零件, 不要遗失小零件。
- * 切取蚀刻片时应特别注意防止利边划伤手指。
- * 用模型锉刀小心锉平所有零件表面的注射浇口。
- * 用适量的强力快干胶水粘合蚀刻片零件和金属轴, 切忌过量, 否则可能导致可动零件被粘住。
- * 注意某些零件表面需在装配时同步贴水上贴纸。
- * 制作时应远离幼儿并将包装袋及时收妥, 谨防小孩玩耍而引起意外。



cyanoacrylate glue
强力胶



weight
配重



make hole
钻孔



cut / remove
切除



option
选择



no cement
不涂胶水



decal
贴纸



bend
弯曲



repair
填补

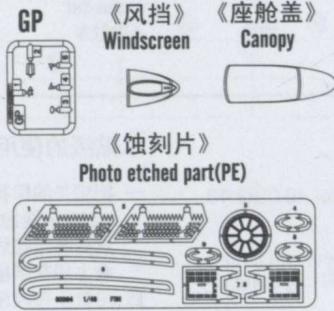
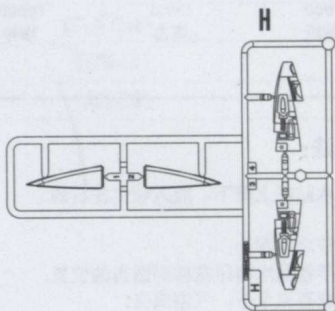
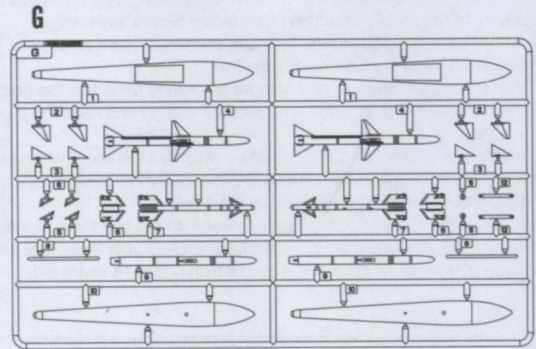
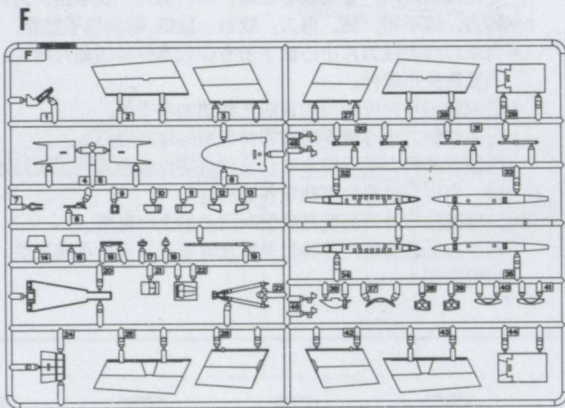
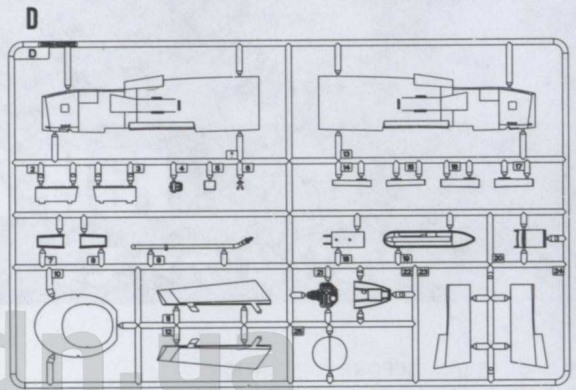
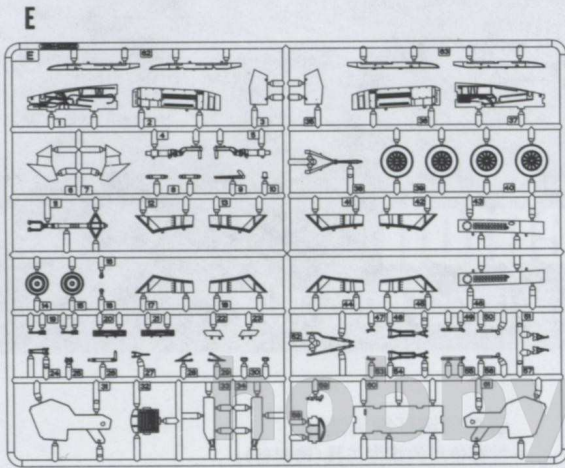
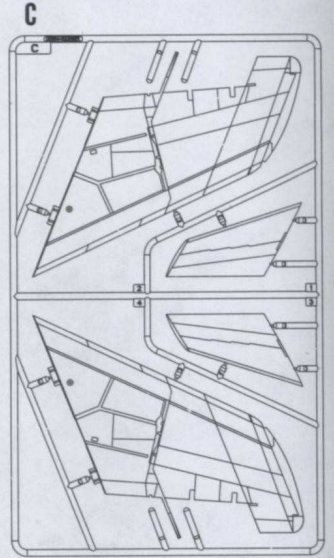
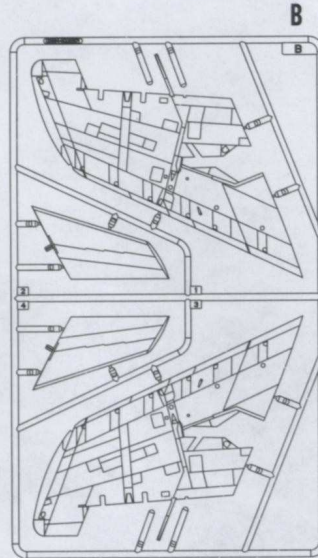
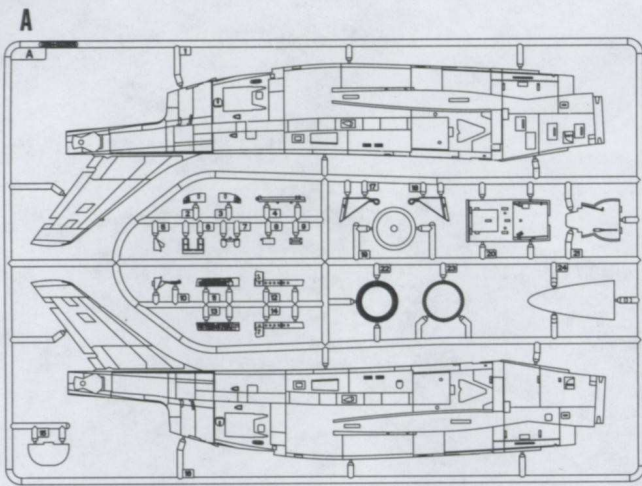
The method to apply the decals

1. Cut off the decal from the decal paper and put it into the warm water 40°C for 10 seconds.
2. Take the decal from the water and put it on a piece of clean cloth.
3. Remove the decal slowly from the paper to the targeted location by a wet finger.
4. Use a piece of dry and soft cloth to press it gently on the decal until it getting dry and no bubble existing.

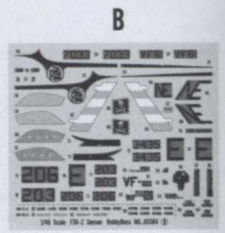
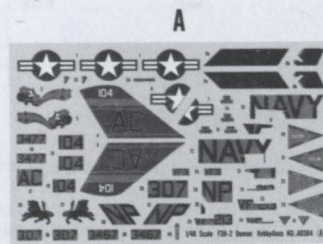
水贴纸的使用方法:

- 一. 把相关的印花从水贴上剪下, 放入40°C左右的温水中浸10秒。
- 二. 然后将印花放在干净的布上。
- 三. 拿上印花纸, 手指蘸水将印花移到适当的位置。
- 四. 用干布轻压印花直至水干, 气泡消失。

部品图 Parts



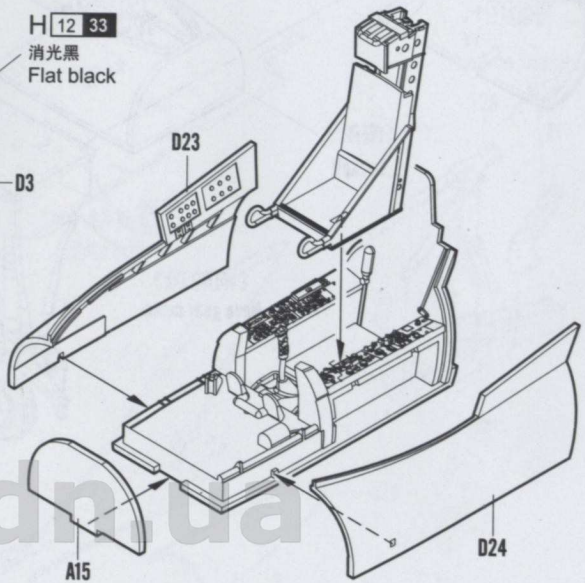
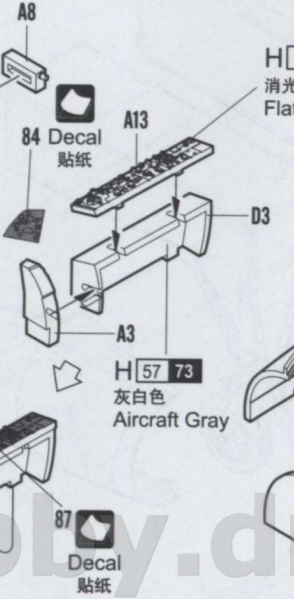
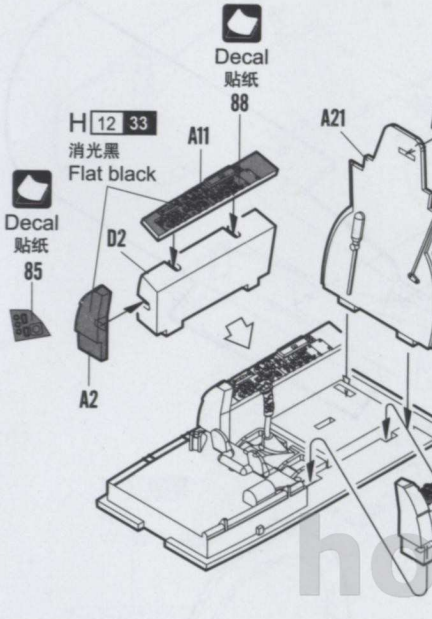
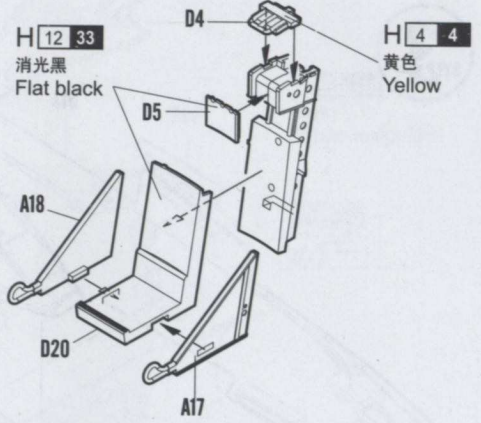
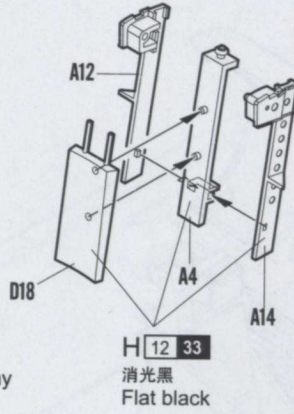
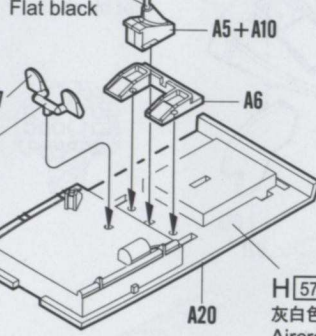
《水贴》
Decal



1
STEP

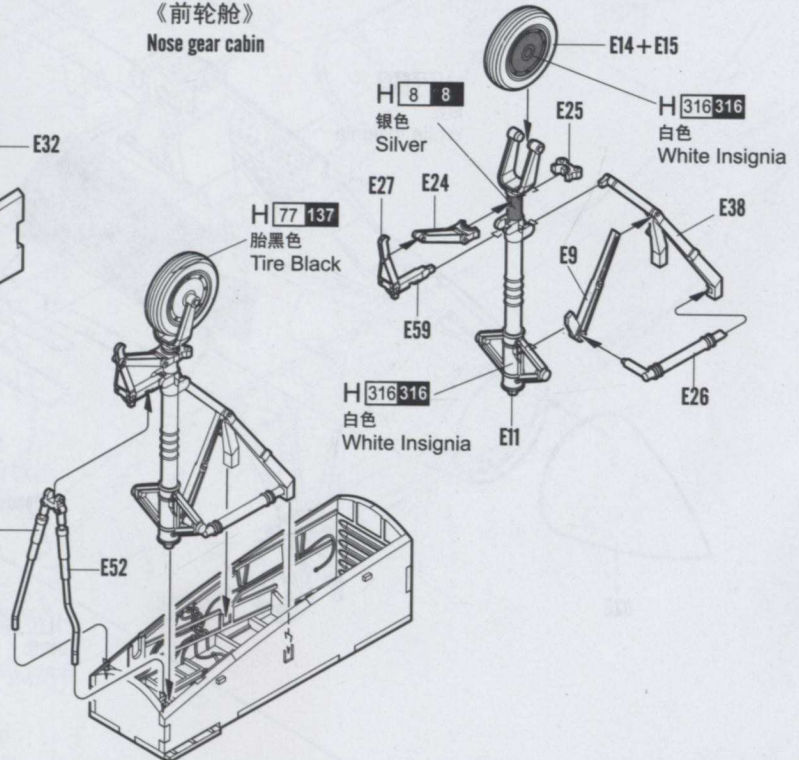
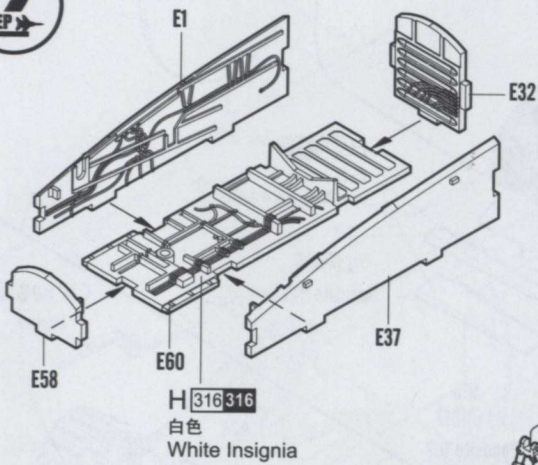
《座舱》
Cockpit

H 8 8
银色
Silver

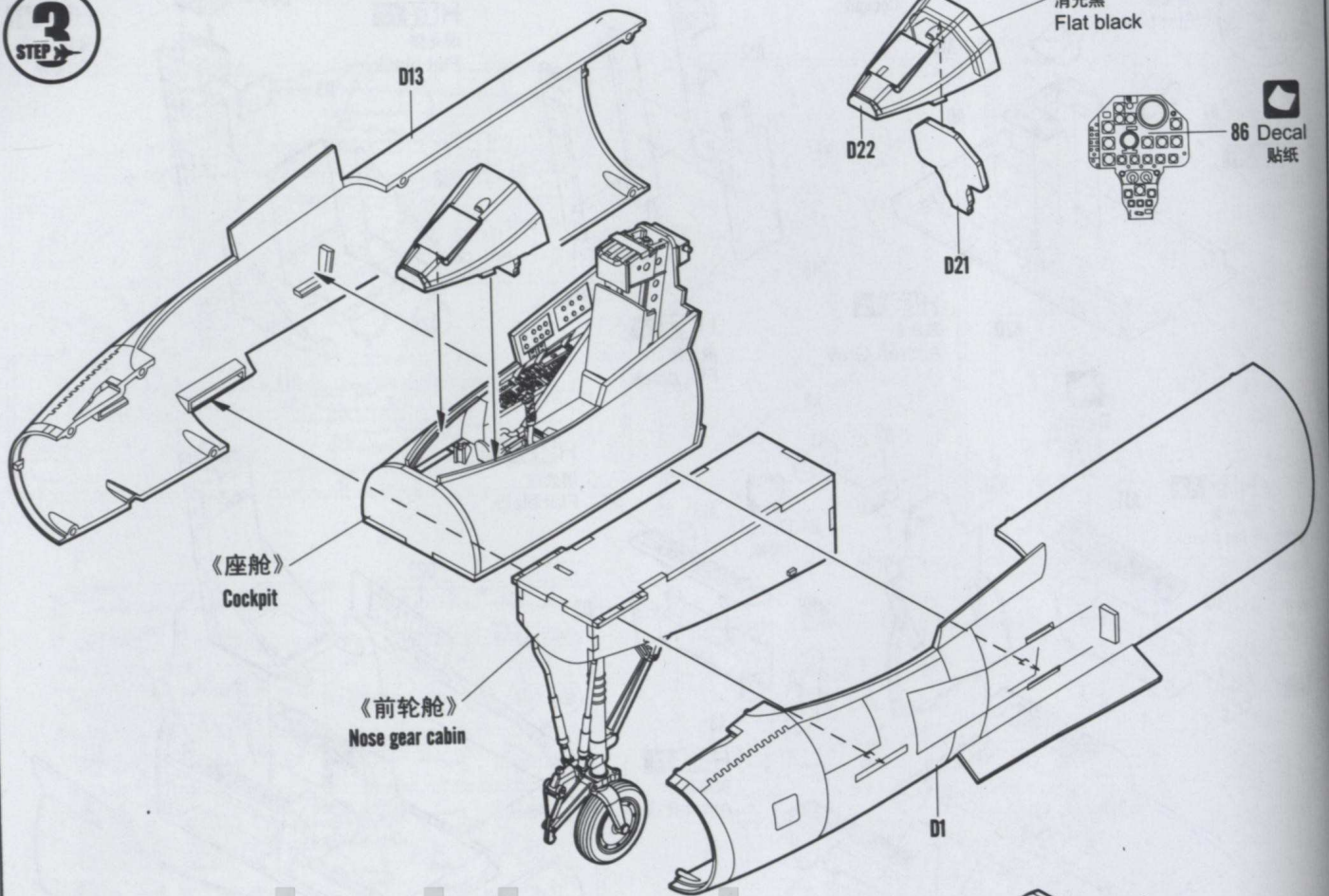


2
STEP

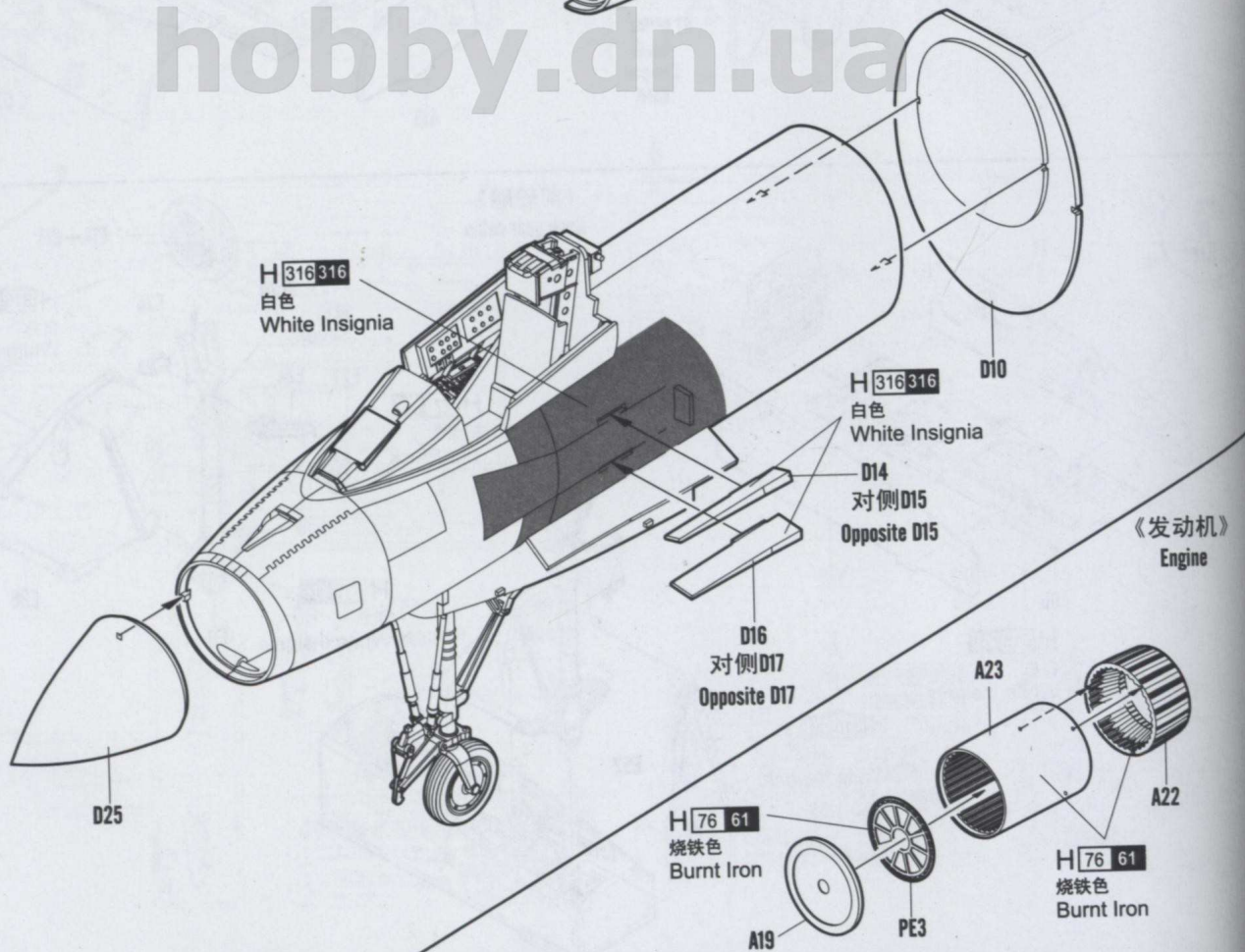
《前轮舱》
Nose gear cabin

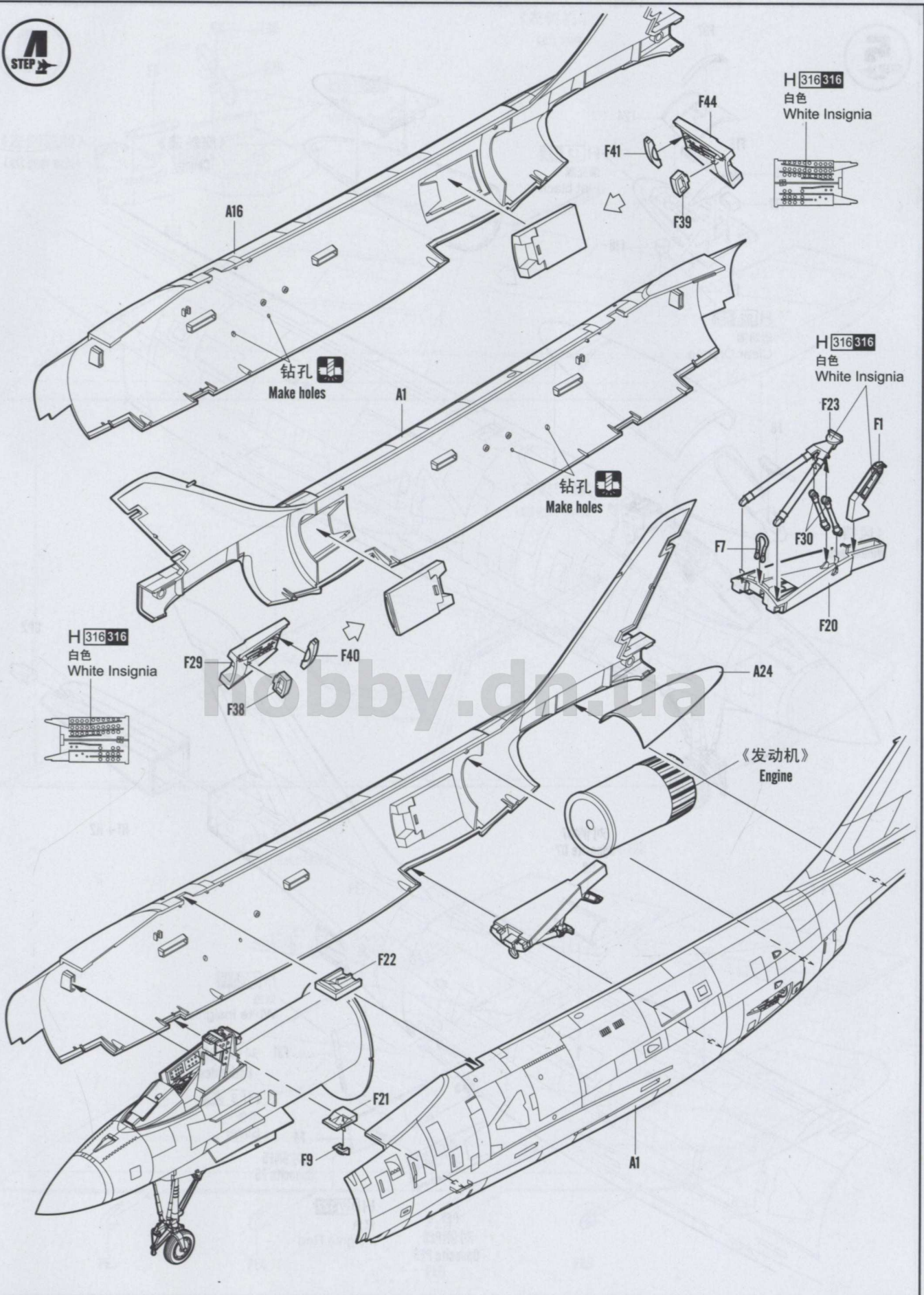


3
STEP

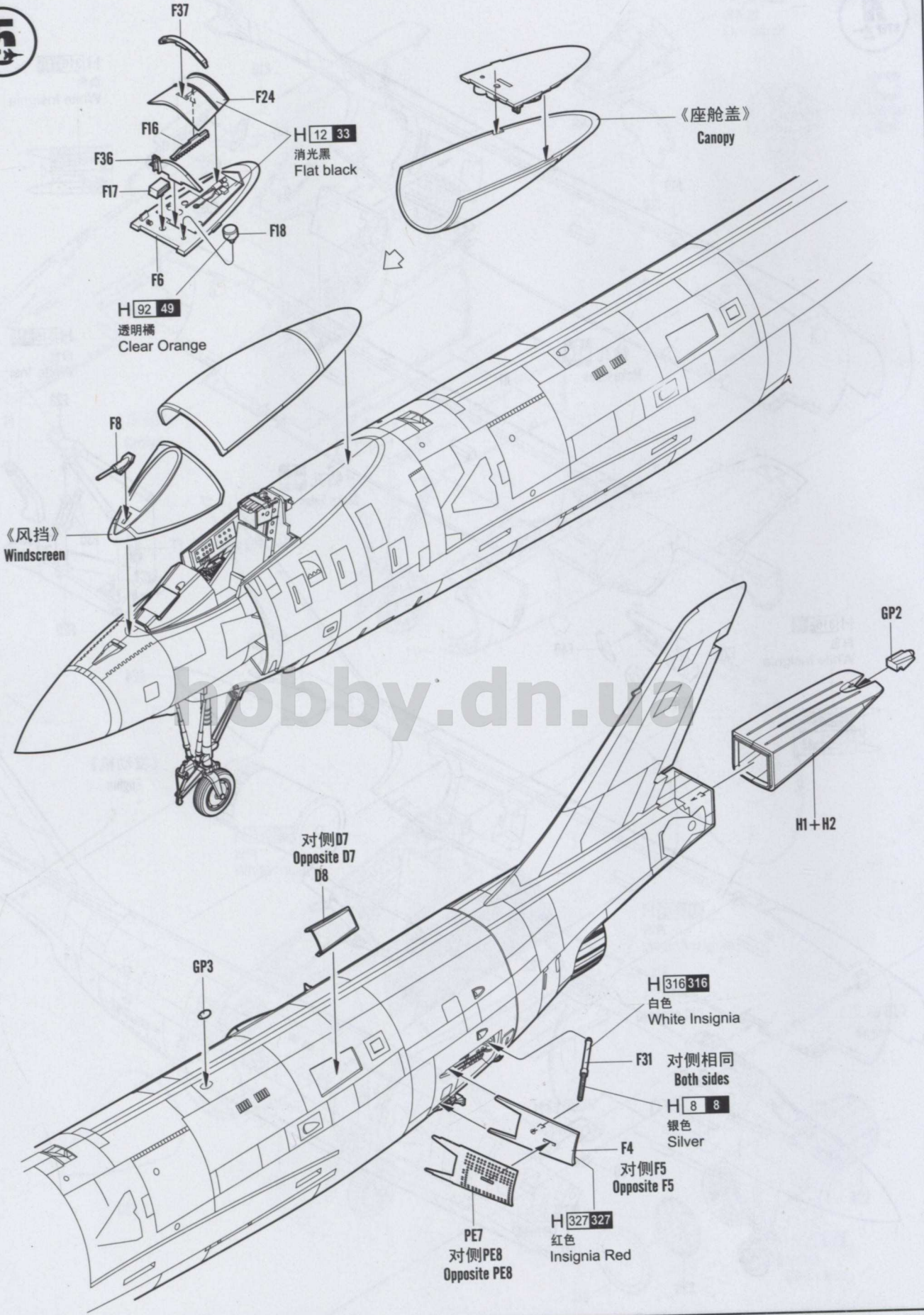


hobby.dn.ua





5
STEP



F37
F24
F16
H 12 33
消光黑
Flat black
F36
F17
F18
F6

《座舱盖》
Canopy

H 92 49
透明橘
Clear Orange

《风挡》
Windscreen

对侧D7
Opposite D7
D8

H1+H2

H 316 316
白色
White Insignia

F31 对侧相同
Both sides

H 8 8
银色
Silver

F4 对侧F5
Opposite F5

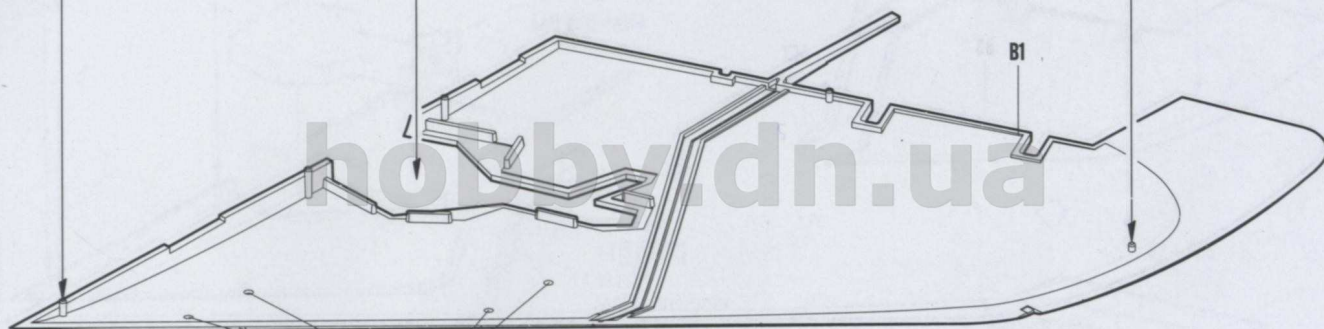
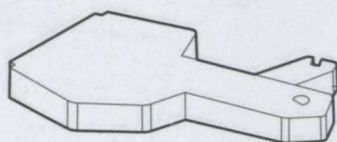
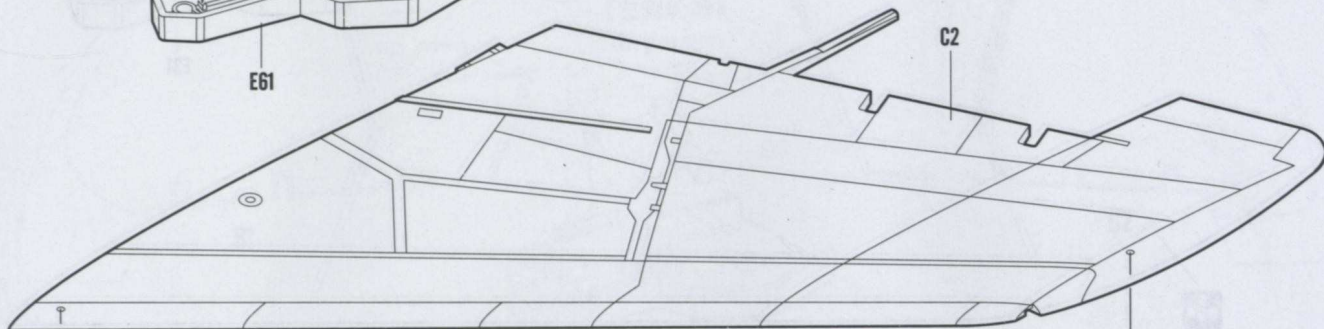
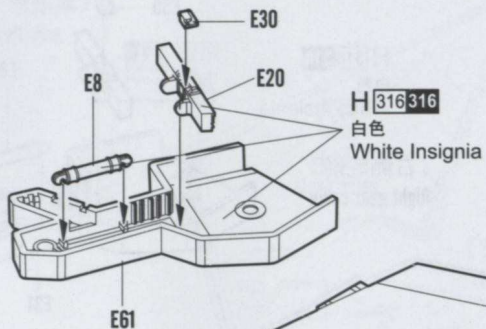
PE7
对侧PE8
Opposite PE8

H 327 327
红色
Insignia Red

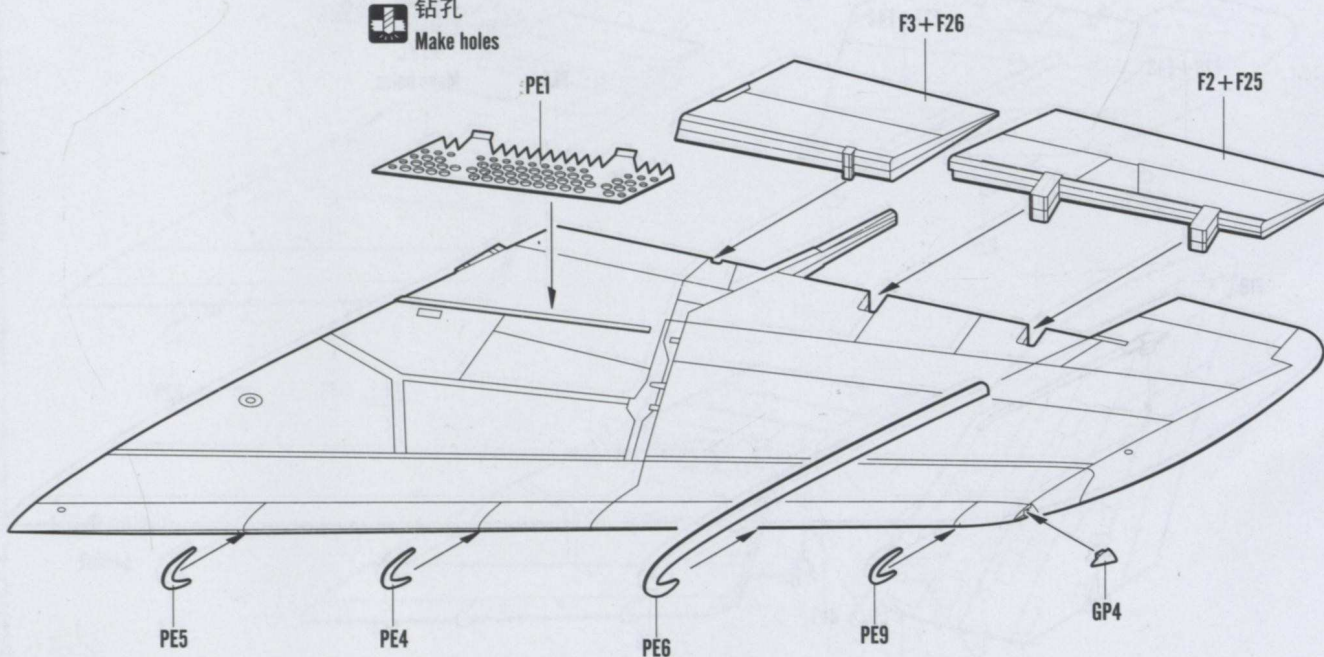
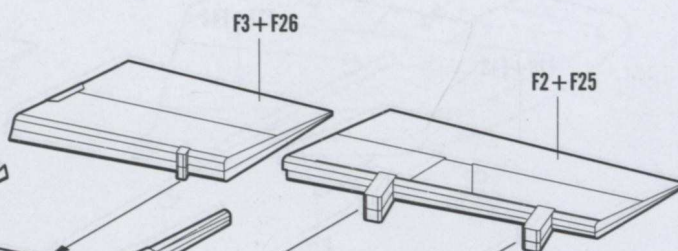
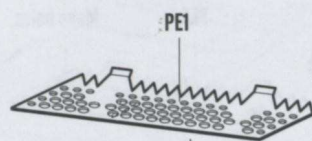


《左侧机翼》
Left wing

《左侧轮舱》
Left gear cabin



钻孔
Make holes

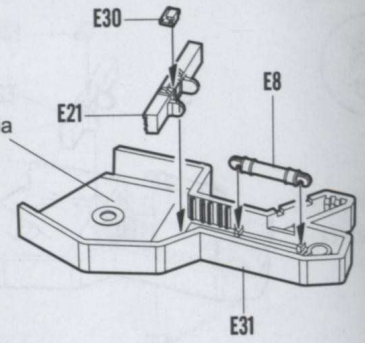


7
STEP

《右侧机翼》
Right wing

H 316316
白色
White Insignia

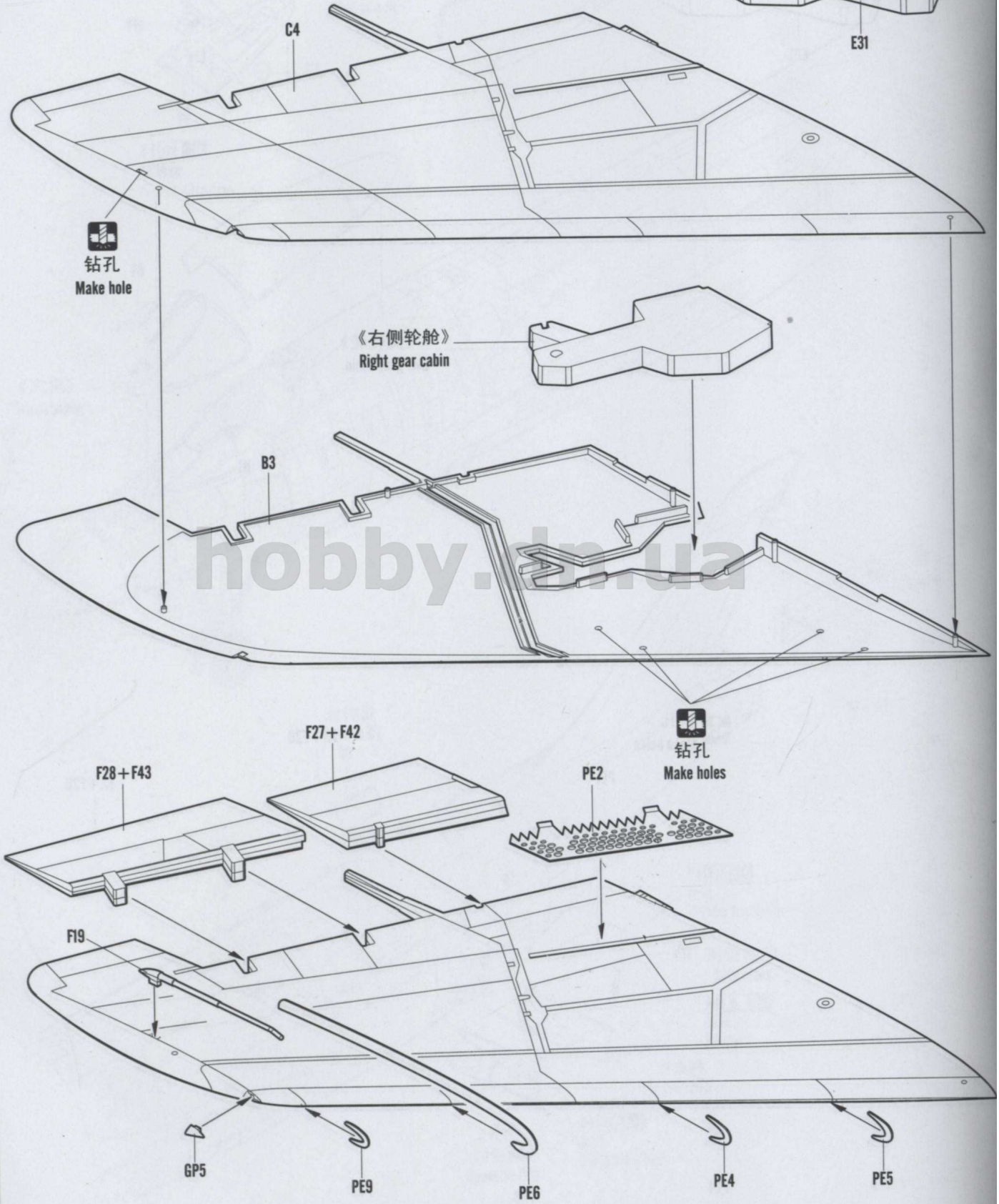
《右侧轮舱》
Right gear cabin




钻孔
Make hole

《右侧轮舱》
Right gear cabin


钻孔
Make holes





《左侧机翼》
Left wing



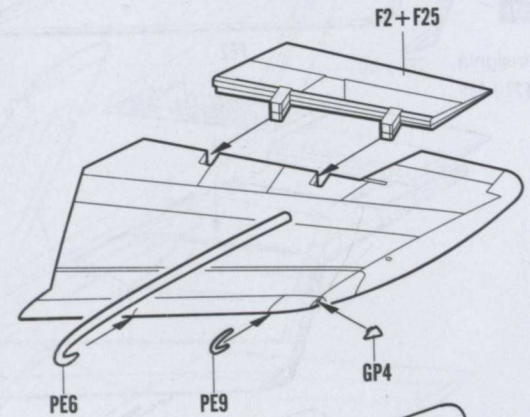
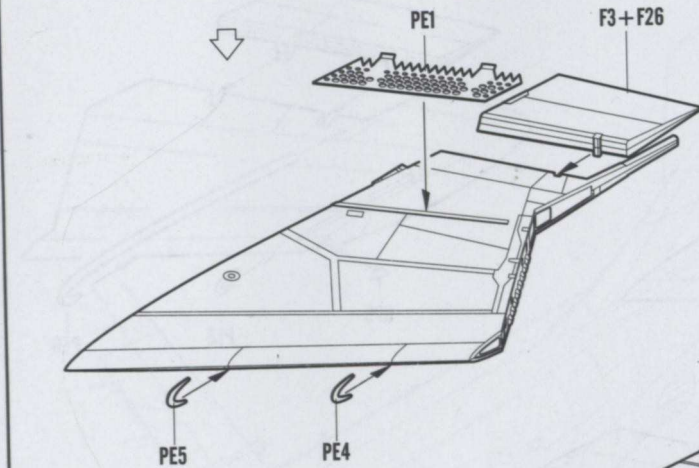
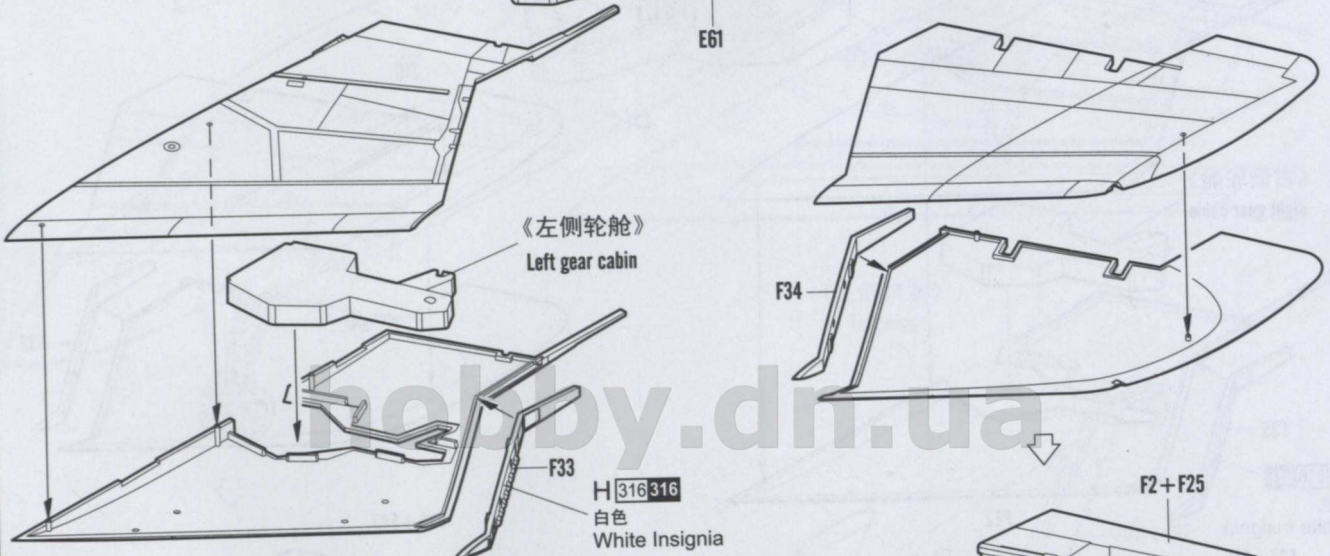
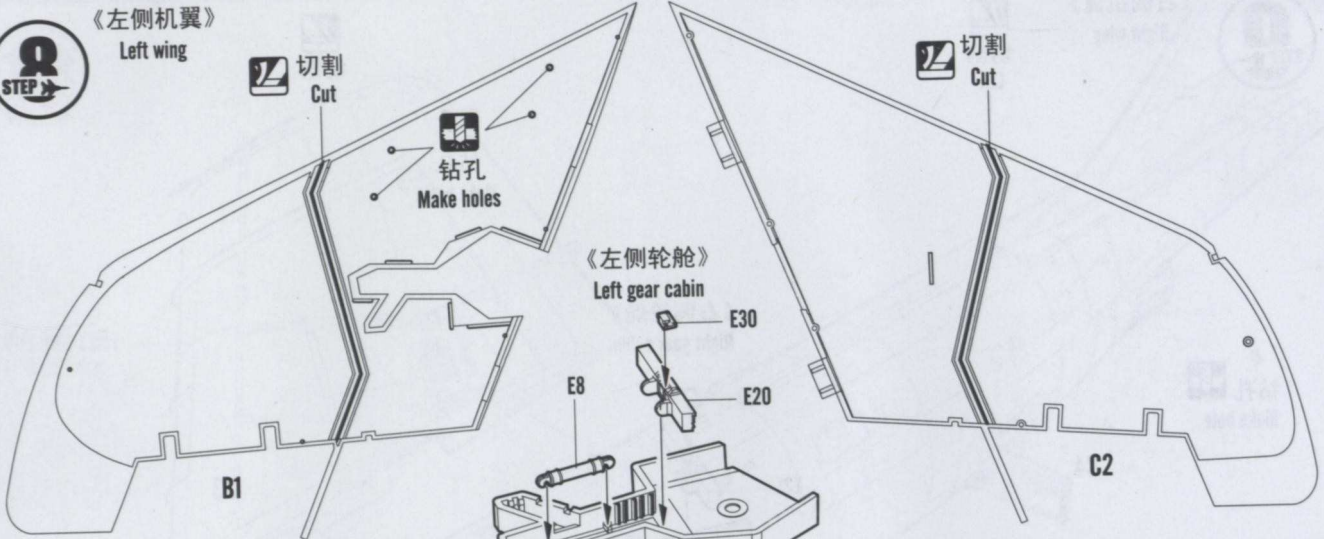
切割
Cut



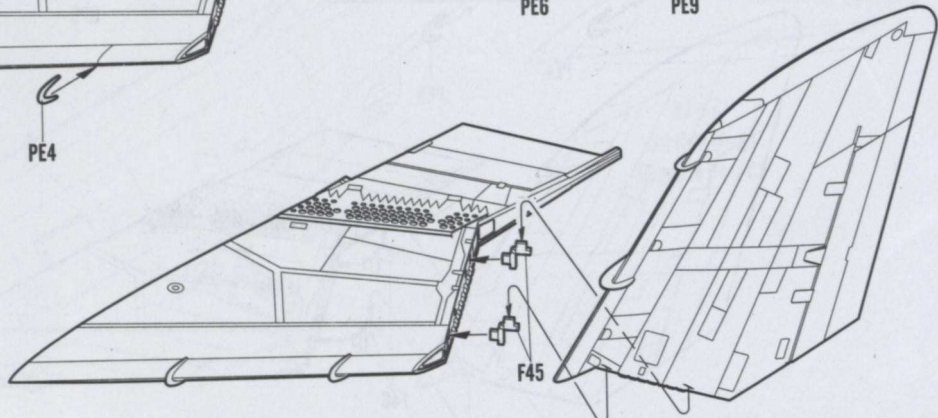
钻孔
Make holes



切割
Cut

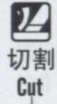


《折叠状态》
Folding

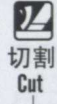




《右侧机翼》
Right wing



切割
Cut



切割
Cut

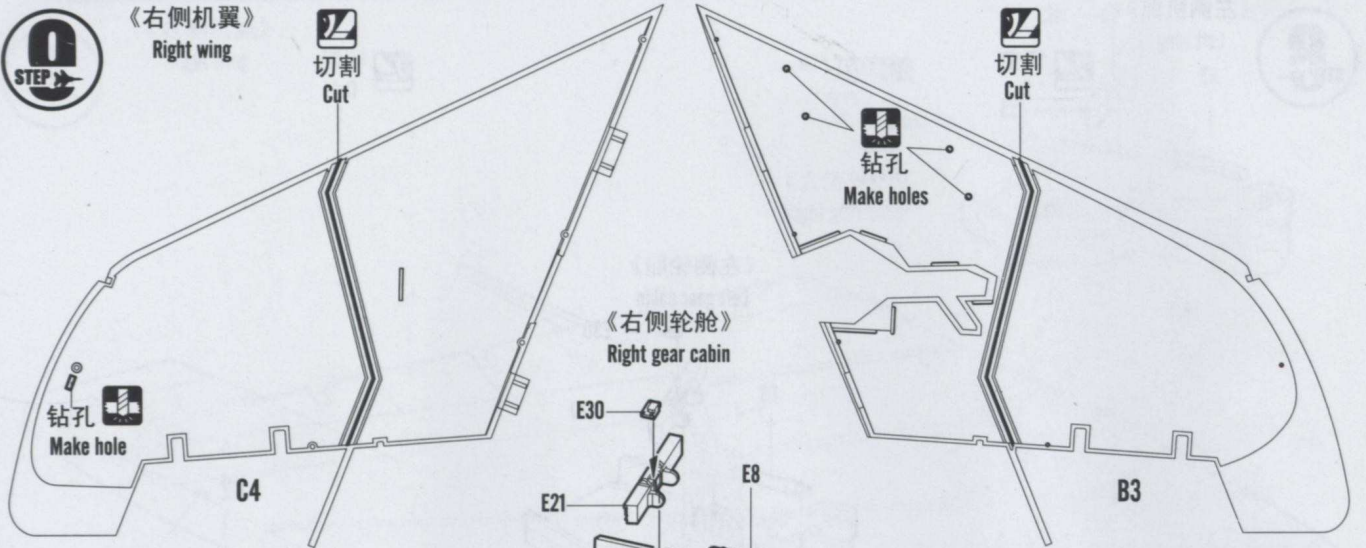


钻孔
Make holes



钻孔
Make hole

《右侧轮舱》
Right gear cabin



C4

B3

E30

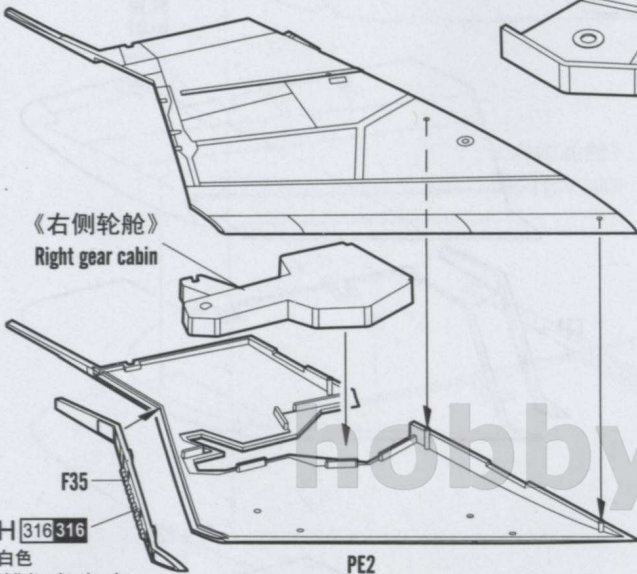
E21

E8

E31

F19

《右侧轮舱》
Right gear cabin



F35

PE2

H 316 316

白色
White Insignia

F27 + F42

F28 + F43

GP5

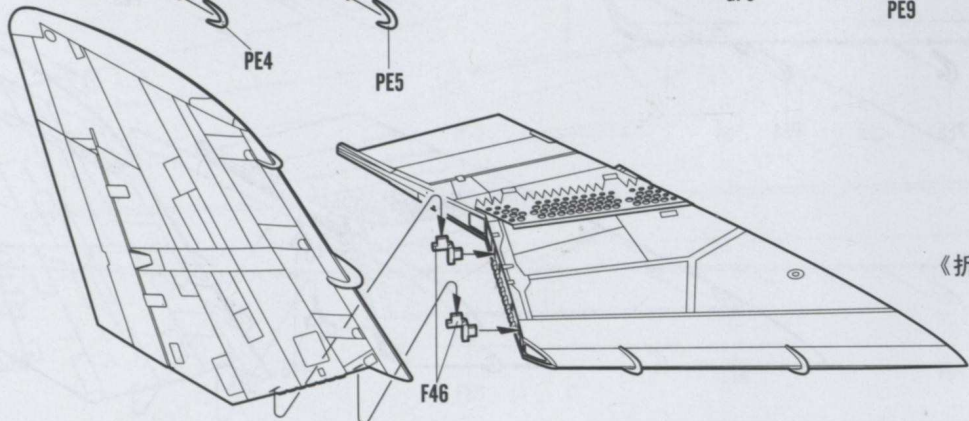
PE9

PE6

PE4

PE5

《折叠状态》
Folding



F46

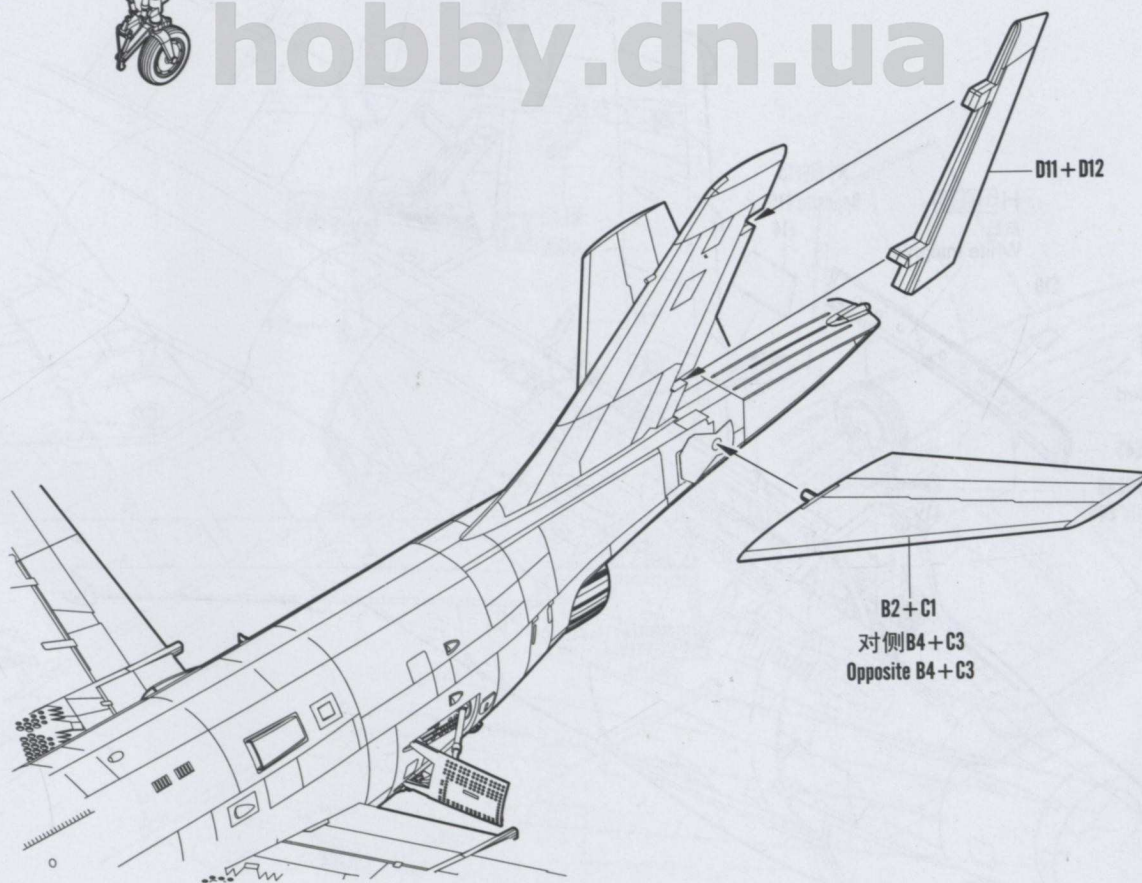
10
STEP

《右侧机翼》
Right wing



《左侧机翼》
Left wing

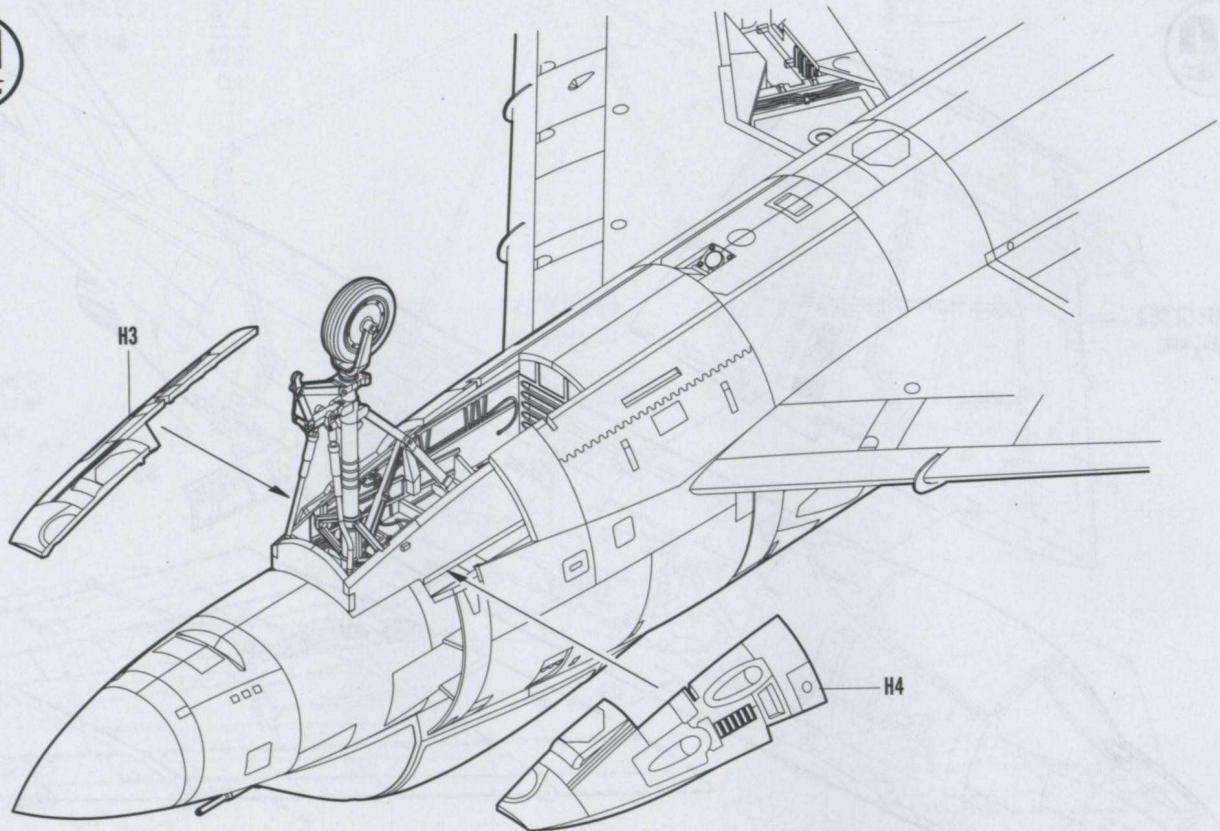
hobby.dn.ua



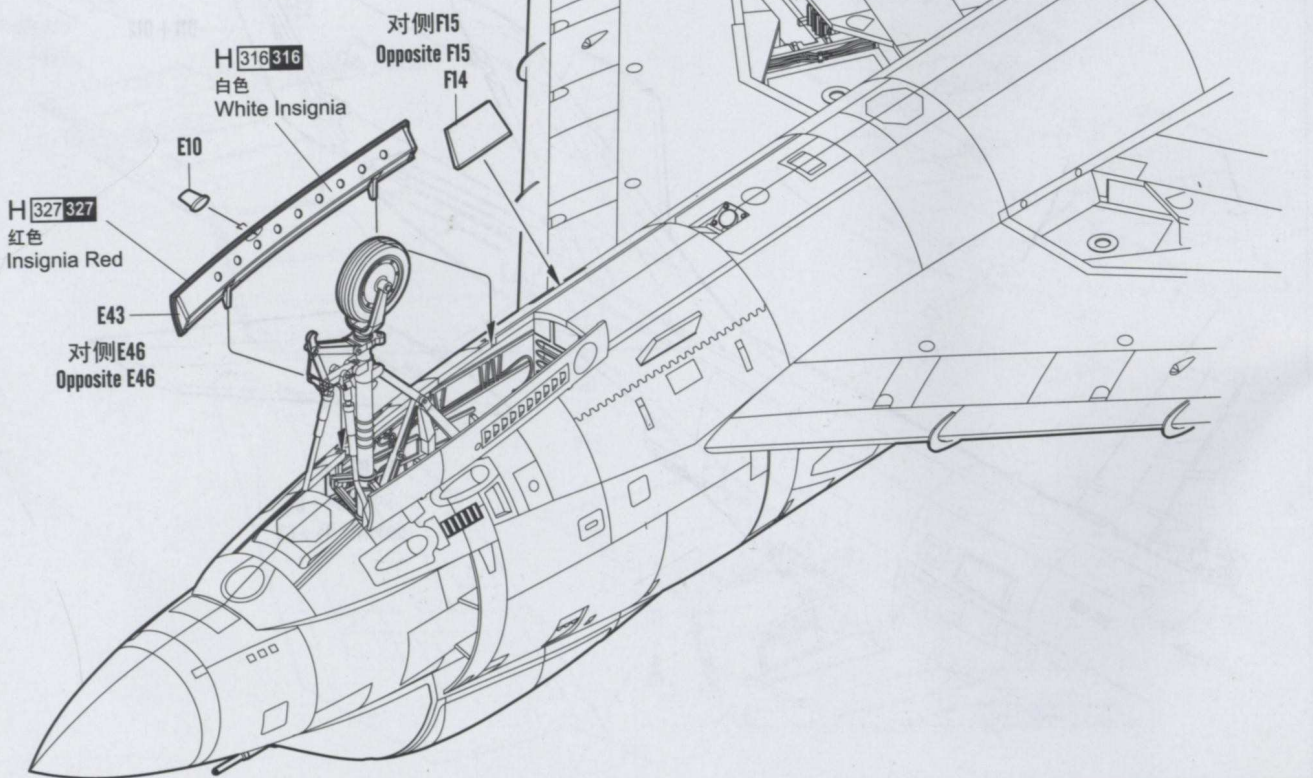
D11 + D12

B2 + C1
对侧 B4 + C3
Opposite B4 + C3

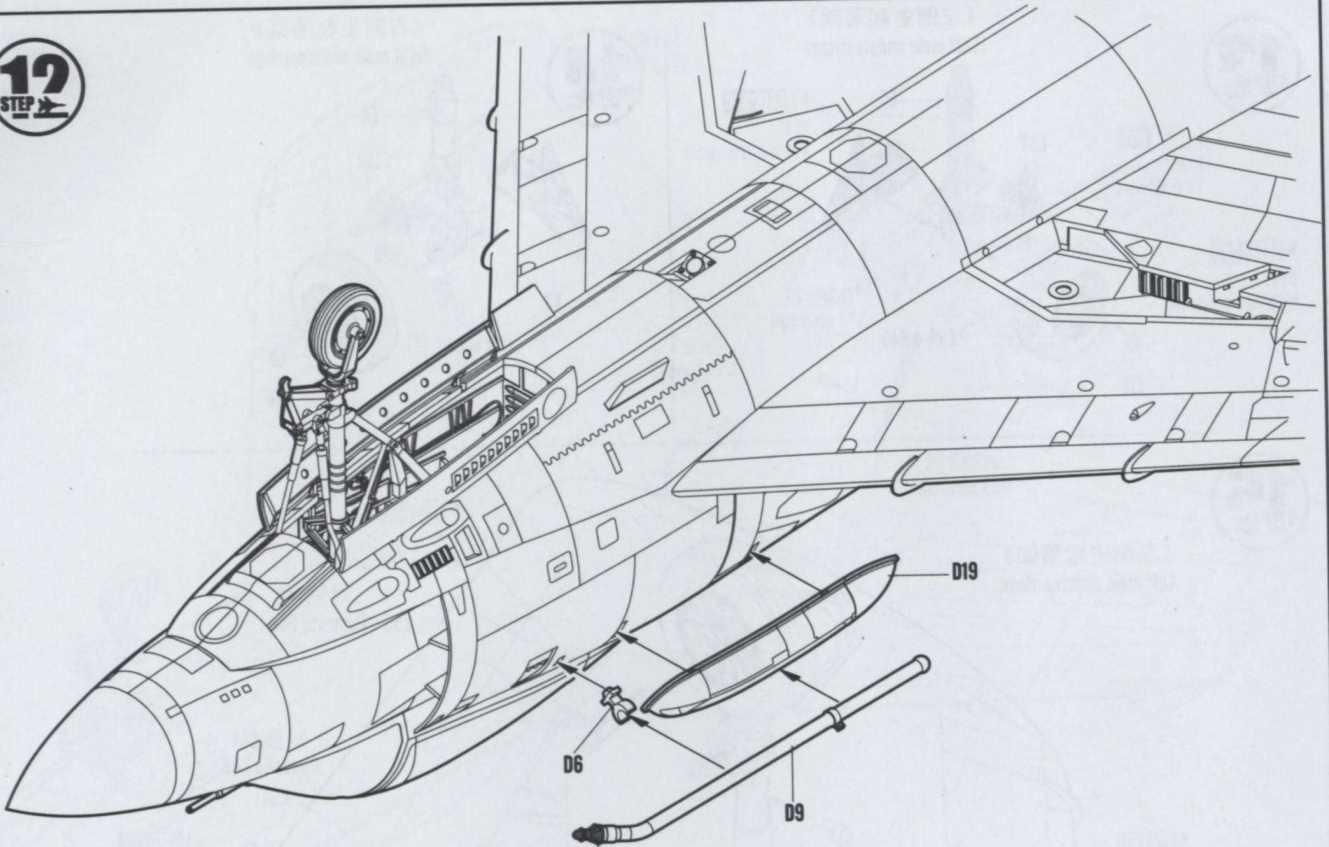
11
STEP



hobby.dn.ua

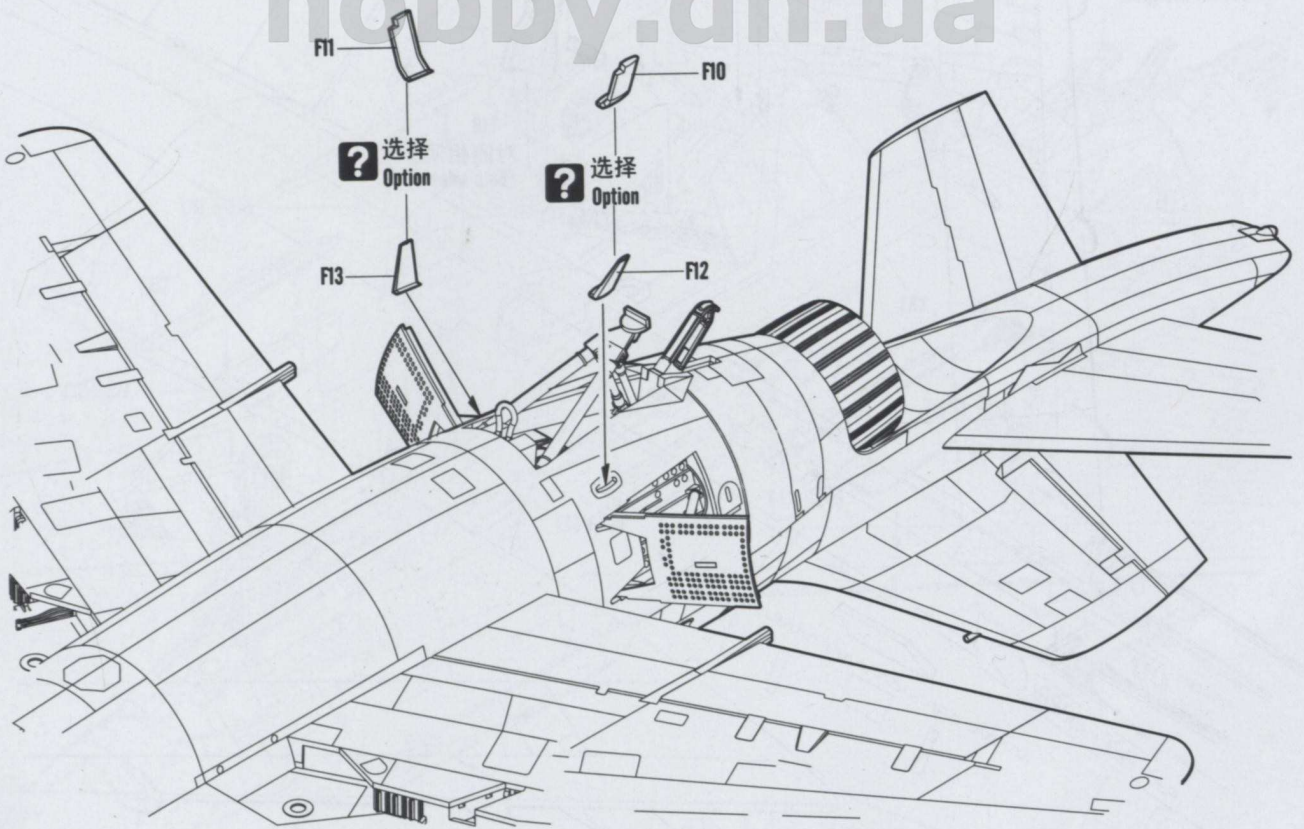


12
STEP



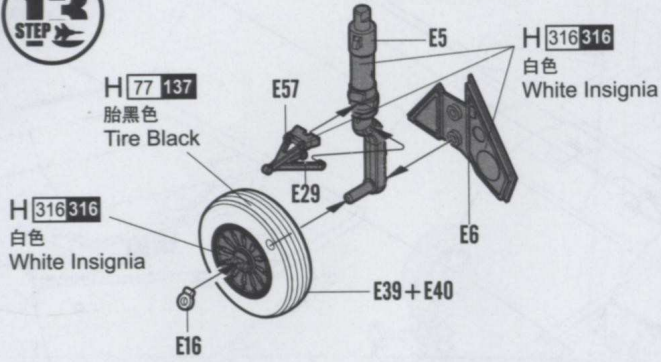
H 8 8
银色
Silver

hobby.dn.ua



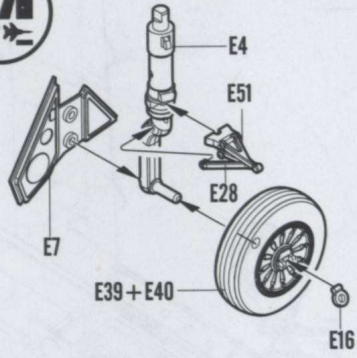
13
STEP

《左侧主起落架》
Left main undercarriage



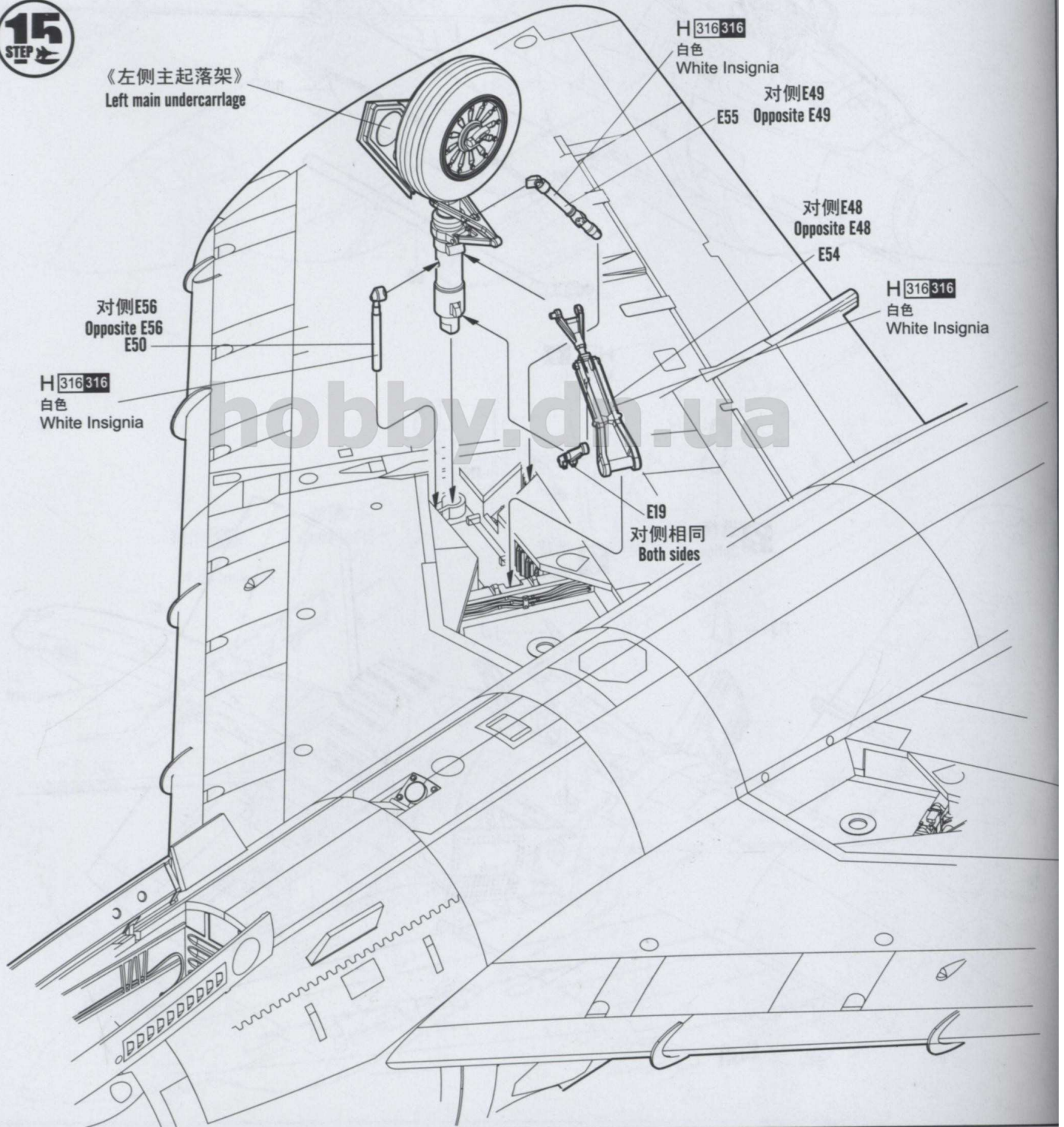
14
STEP

《右侧主起落架》
Right main undercarriage



15
STEP

《左侧主起落架》
Left main undercarriage



16
STEP

对侧E22
Opposite E22
E23

对侧E3
Opposite E3
E35

对侧E47
Opposite E47
E53

E33
对侧E34
Opposite E34

hobbydrupa

对侧E36
Opposite E36
E2

E63

E41 + E44

E62

E12 + E17

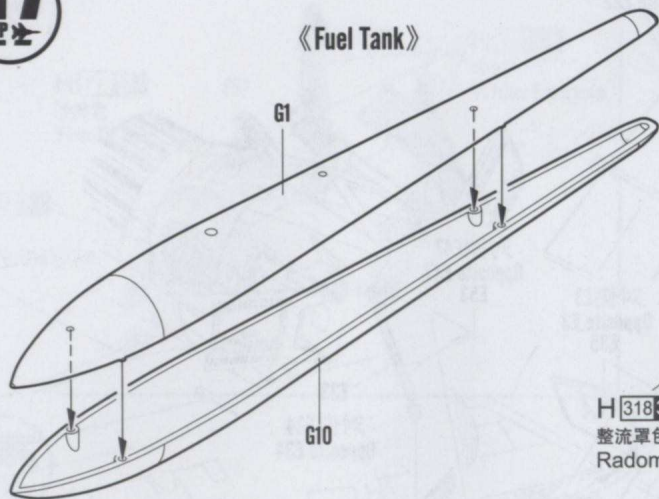
E62

E63

E13 + E18

E42 + E45

17
STEP



制作两组
Make two

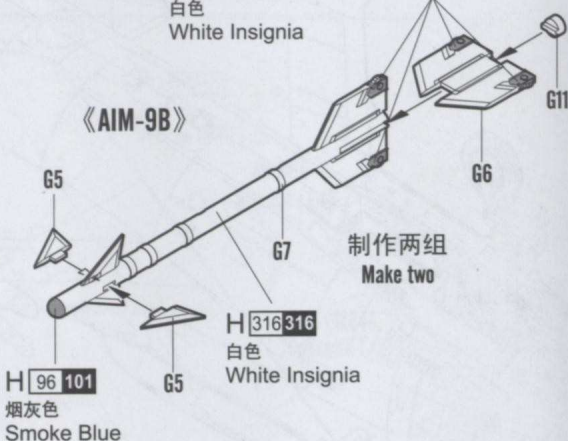
《AIM-7C》



制作两组
Make two

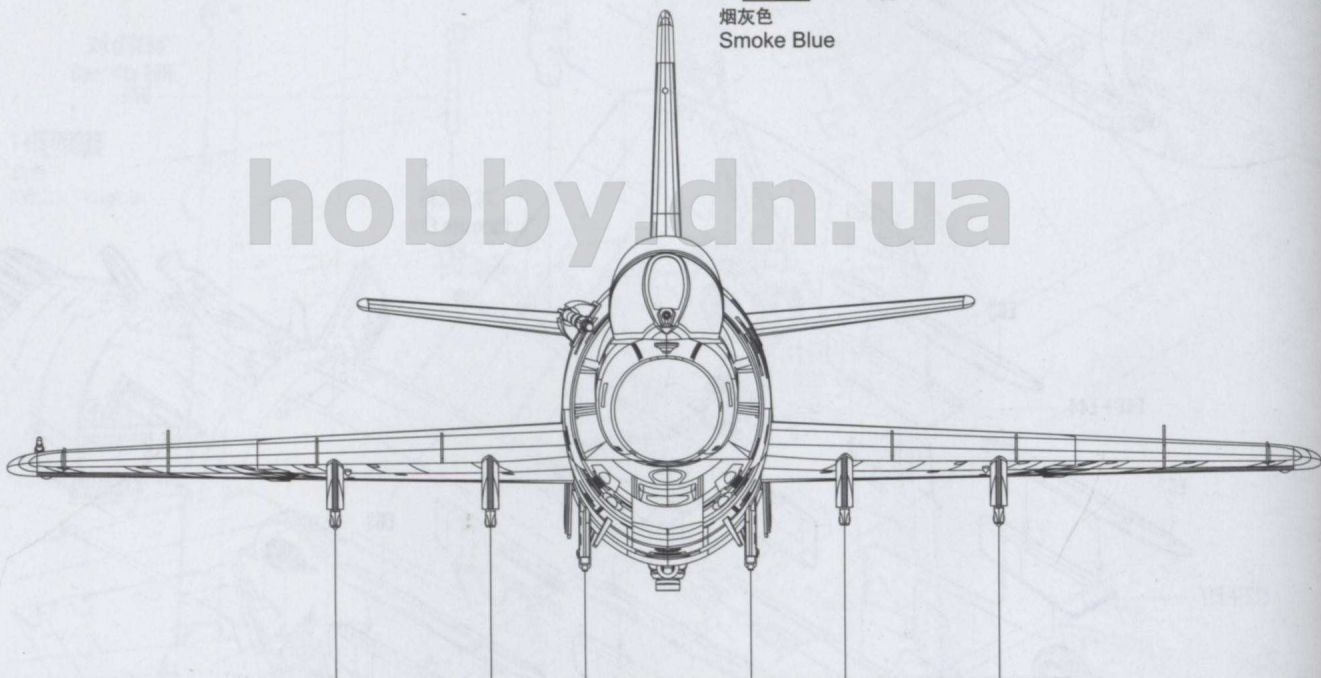
H 318 318
整流罩色
Radome

《AIM-9B》



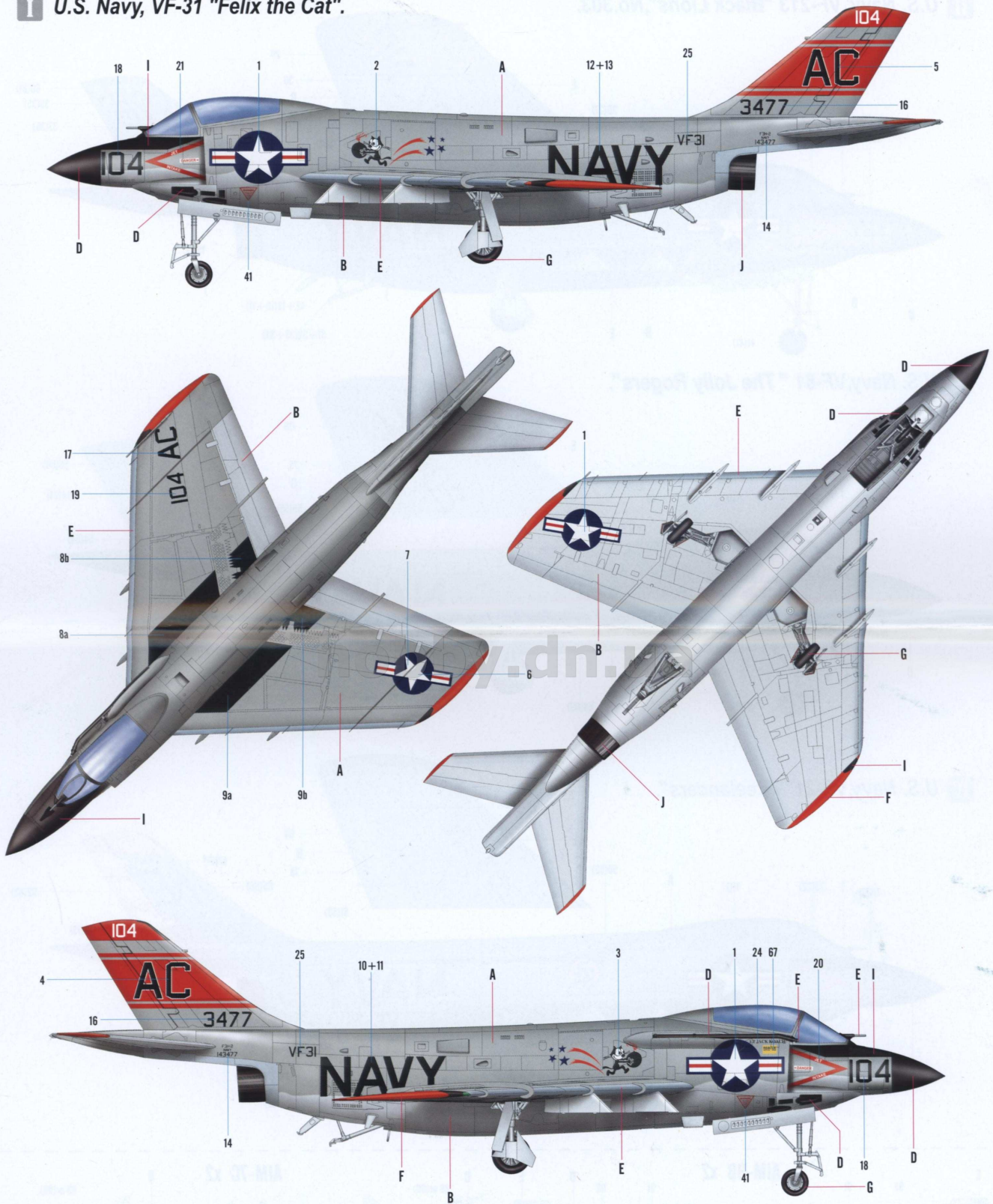
制作两组
Make two

hobby.dn.ua



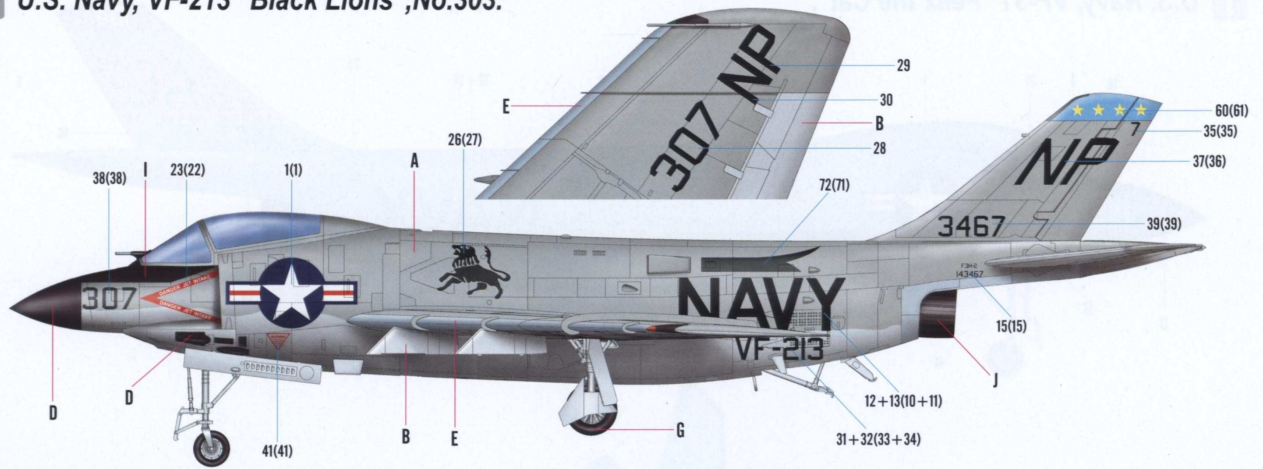
Missile/Tank	Sta.No.	1	2	3	4	5	6
《Fuel Tank》				●	●		
《AIM-7C》			●			●	
《AIM-9B》		●					●

I U.S. Navy, VF-31 "Felix the Cat".

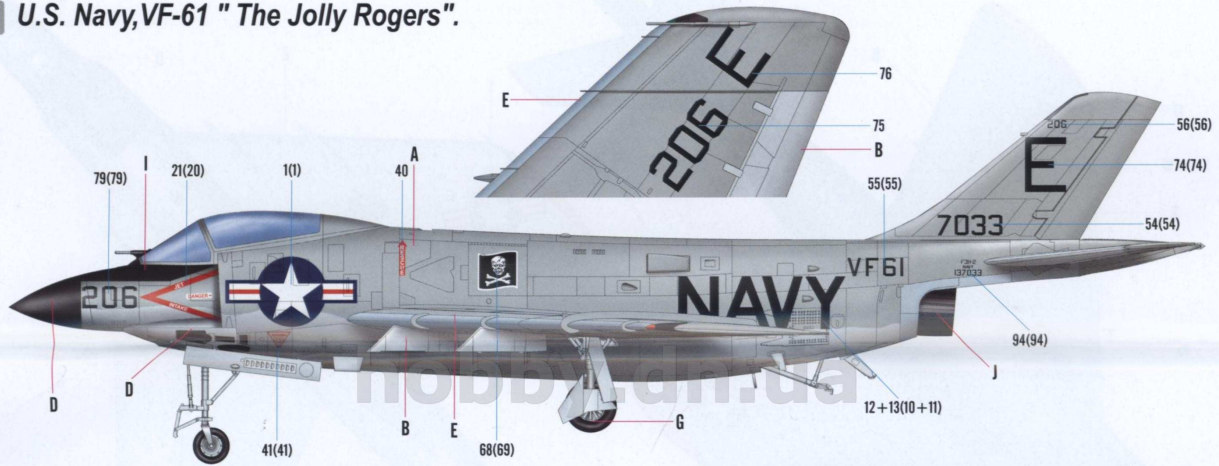


Color	Mr.Hobby	Vallejo	Model Master	Tamiya	Humbrol	Color	Mr.Hobby	Vallejo	Model Master	Tamiya	Humbrol
A 灰色 Light Gull	H 815 315	843	1730	--	129	E 银色 Silver	H 81 8	997	1546	X11	11
B 白色 White Insignia	H 318 316	991	1745	X2	22	F 红色 Red	H 31 3	908	1503	X7	19
C 整流罩色 Radome	H 318 318	917	1709	--	148	G 胎黑色 Tyre Black	H 77 137	--	--	--	--
D 黑色 Black	H 21 2	861	1747	X1	21	H 烟灰色 Smoke Blue	H 90 101	--	--	--	--

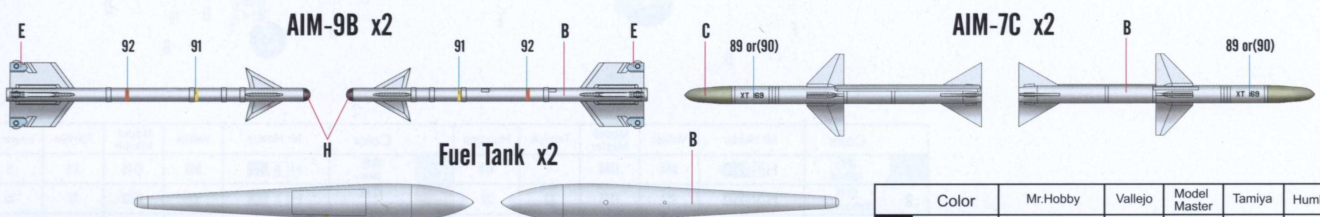
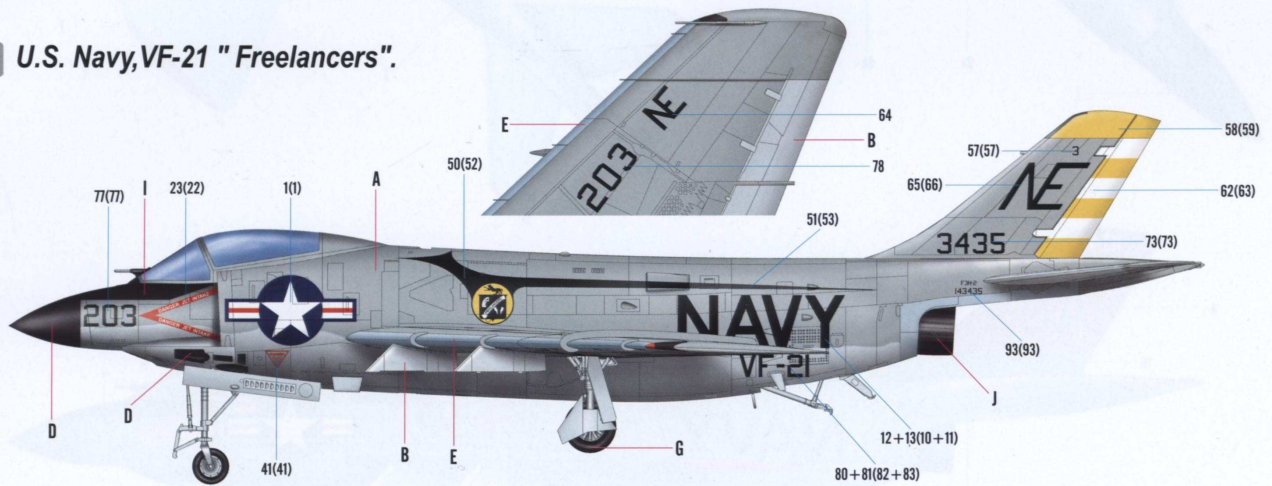
II U.S. Navy, VF-213 "Black Lions", No.303.



III U.S. Navy, VF-61 "The Jolly Rogers".



IV U.S. Navy, VF-21 "Freelancers".



	Color	Mr.Hobby	Vallejo	Model Master	Tamiya	Humbrol
I	消光黑 Flat Black	H 12 33	950	1749	XF1	33
J	烧铁色 Burnt Iron	H 76 61	863	1795	X10	53

NO.:80364

※ Some paints may not be available in your country. Please check your local hobby shop for substitute