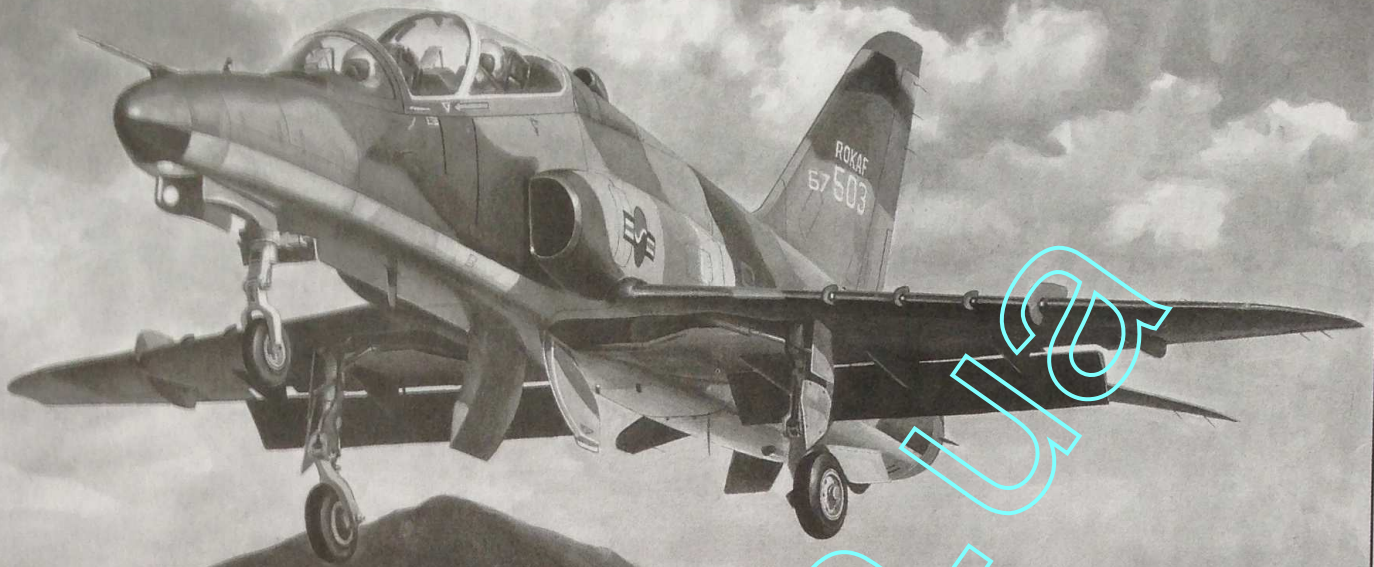


1:48 SCALE

ITEM NO.:81734



Hawk T Mk.67

ホーク Mk.67 英国“鹰”T MK.67教练机

PLEASE READ BEFORE OPERATION!

- * Tools recommended as below: (Not included)
Adhesives; Paints; Side Cutters; Sharp Edged Pliers; Modeling Knife; Modeling File; Nippers; Drill; Scissors; Sand Paper; Soft Cloth; Cyanoacrylate Glue.
- * Make sure to read this instruction listed below before assembling.
- * The kit contains the small parts, they can be dangerous if swallowed by mistake, so keep them away from reach of children.
- * Cut the all parts off carefully and remove the waste parts into the garbage can.
- * More caution and care should be needed for cutting and handling the photo etched parts.
- * Make attention that some parts should be attached the decal when assembled.
- * During assembling, please tear up and throw away the plastic bags, or may cause the dangerous if wearing over head by children's mistake.
- * When using the adhesives and paints, please do not use them in the closed room or near the fire, also must be very careful to protect your eyes, face and clothes.
- * Adult supervised when assembled by children, under 14 years old.

装配前请仔细阅读:

- * 推荐使用的模型工具(请自备):
专用模型胶水, 专用模型油漆, 水口剪刀, 长咀钳, 刀片, 锉刀, 镊子钳, 钻, 剪刀, 软布, 砂纸, 瞬间快干胶等。
- * 用水口剪刀或刀片小心切下所有塑胶零件和蚀刻片零件, 不要遗失小零件。
- * 切取蚀刻片时应特别注意防止利边划伤手指。
- * 用模型锉刀小心锉平所有零件表面的注射浇口。
- * 用适量的强力快干胶水粘合蚀刻片零件和金属轴, 切忌过量, 否则可能导致可动零件被粘住。
- * 注意某些零件表面需在装配时同步贴水上贴纸。
- * 制作时应远离幼儿并将包装袋及时收妥, 谨防小孩玩耍而引起意外。



using ca super glue
使用强力胶



weight
配重



make hole
钻孔



cut / remove
切除



option
选择



no cement
不涂胶水



decal
贴纸



bend
弯曲



repair
填补

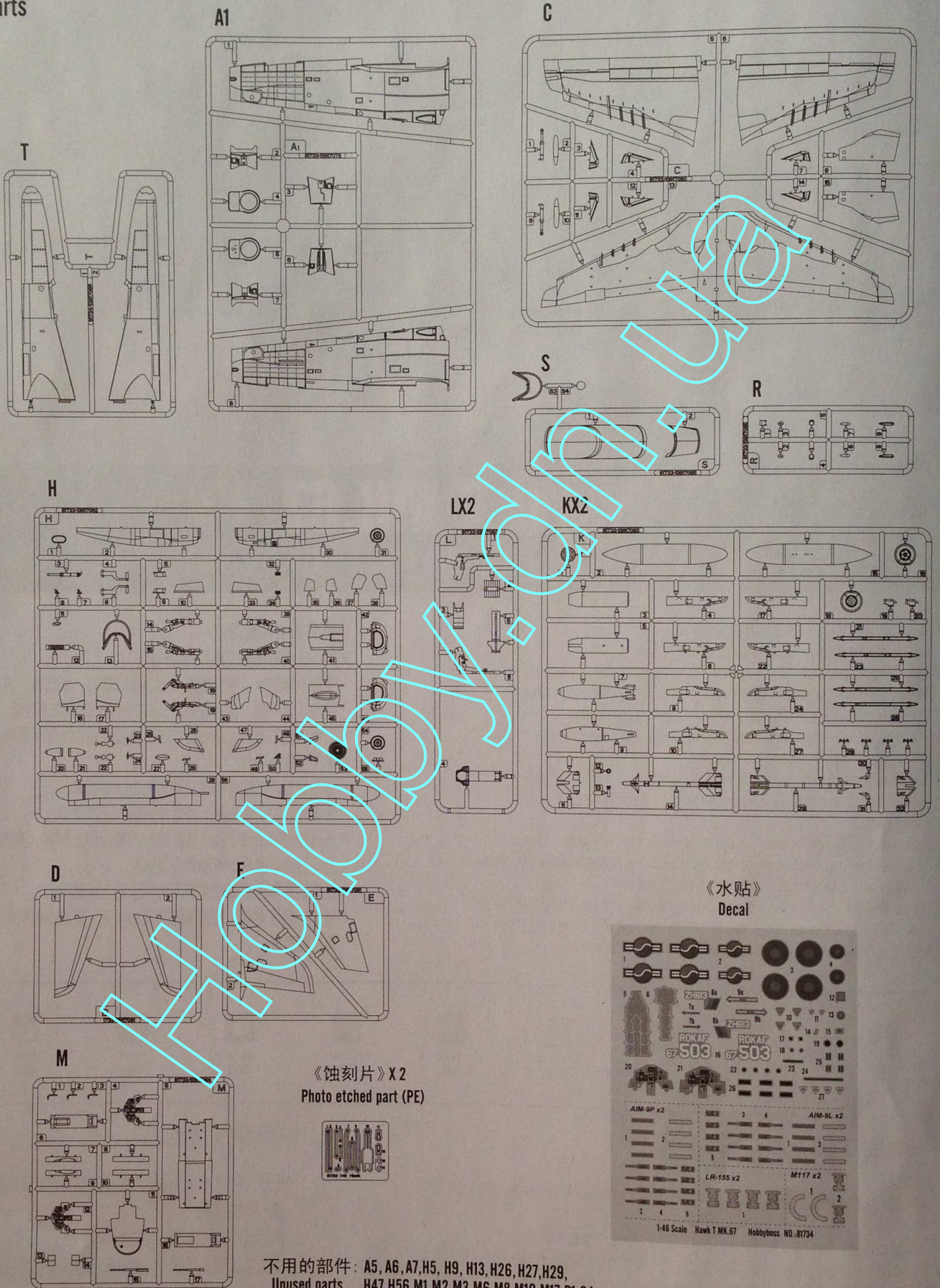
The method to apply the decals

1. Cut off the decal from the decal paper and put it into the warm water 40°C for 10 seconds.
2. Take the decal from the water and put it on a piece of clean cloth.
3. Remove the decal slowly from the paper to the targeted location by a wet finger.
4. Use a piece of dry and soft cloth to press it gently on the decal until it getting dry and no bubble existing.

水贴纸的使用方法:

- 一. 把相关的印花从水贴纸上剪下, 放入40°C左右的温水中浸10秒。
- 二. 然后将印花放在干净的布上。
- 三. 拿上印花纸板, 手指蘸水将印花移到适当的位置。
- 四. 用软干布轻压印花直至水干, 气泡消失。

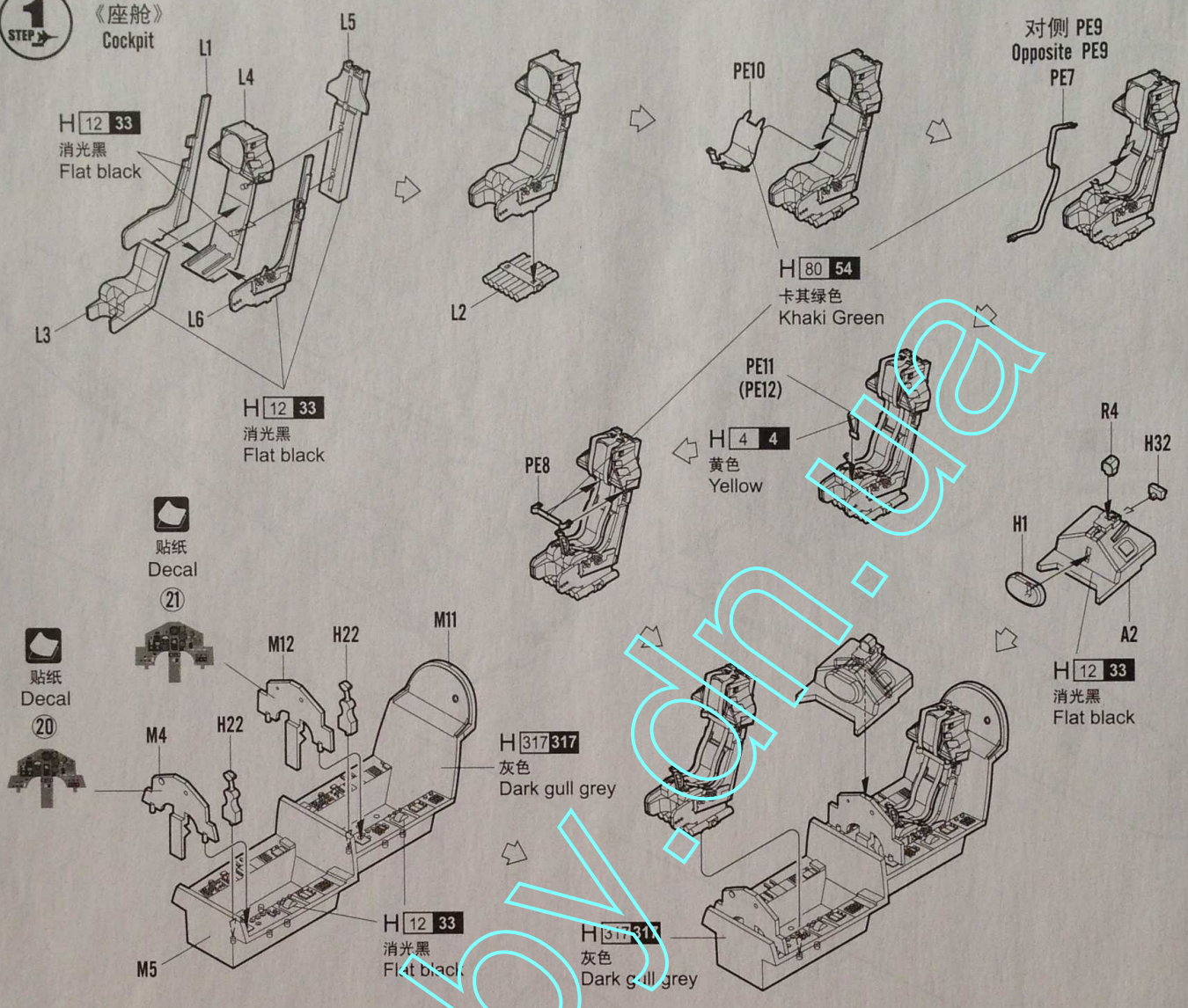
部品图
Parts



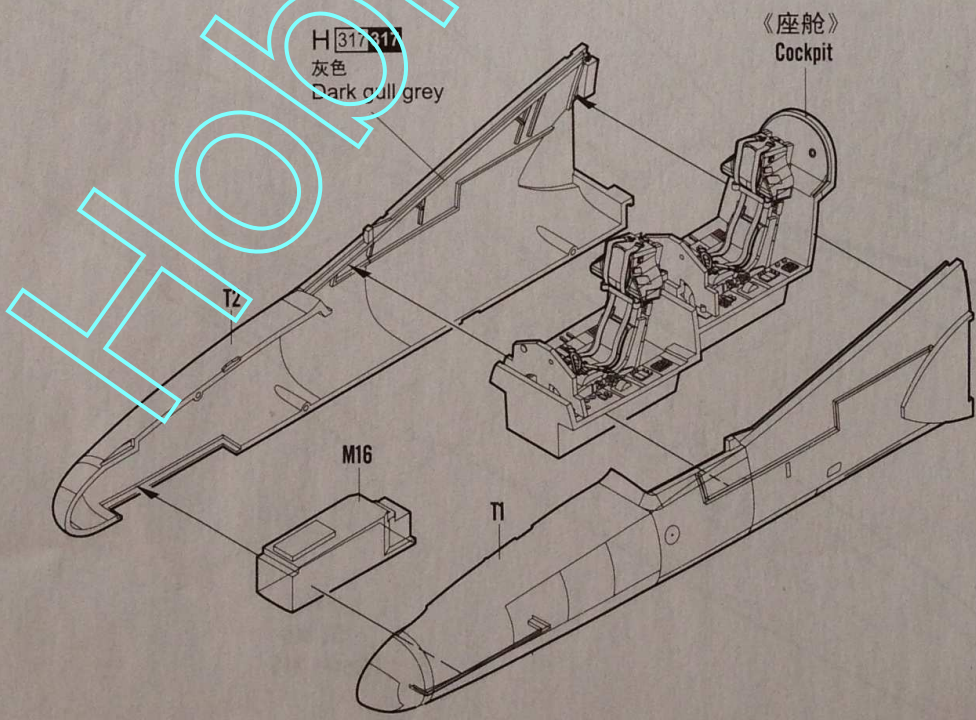
不用的部件: A5, A6, A7, H5, H9, H13, H26, H27, H29,
Unused parts H47, H56, M1, M2, M3, M6, M8, M10, M17, R1, S4

1
STEP

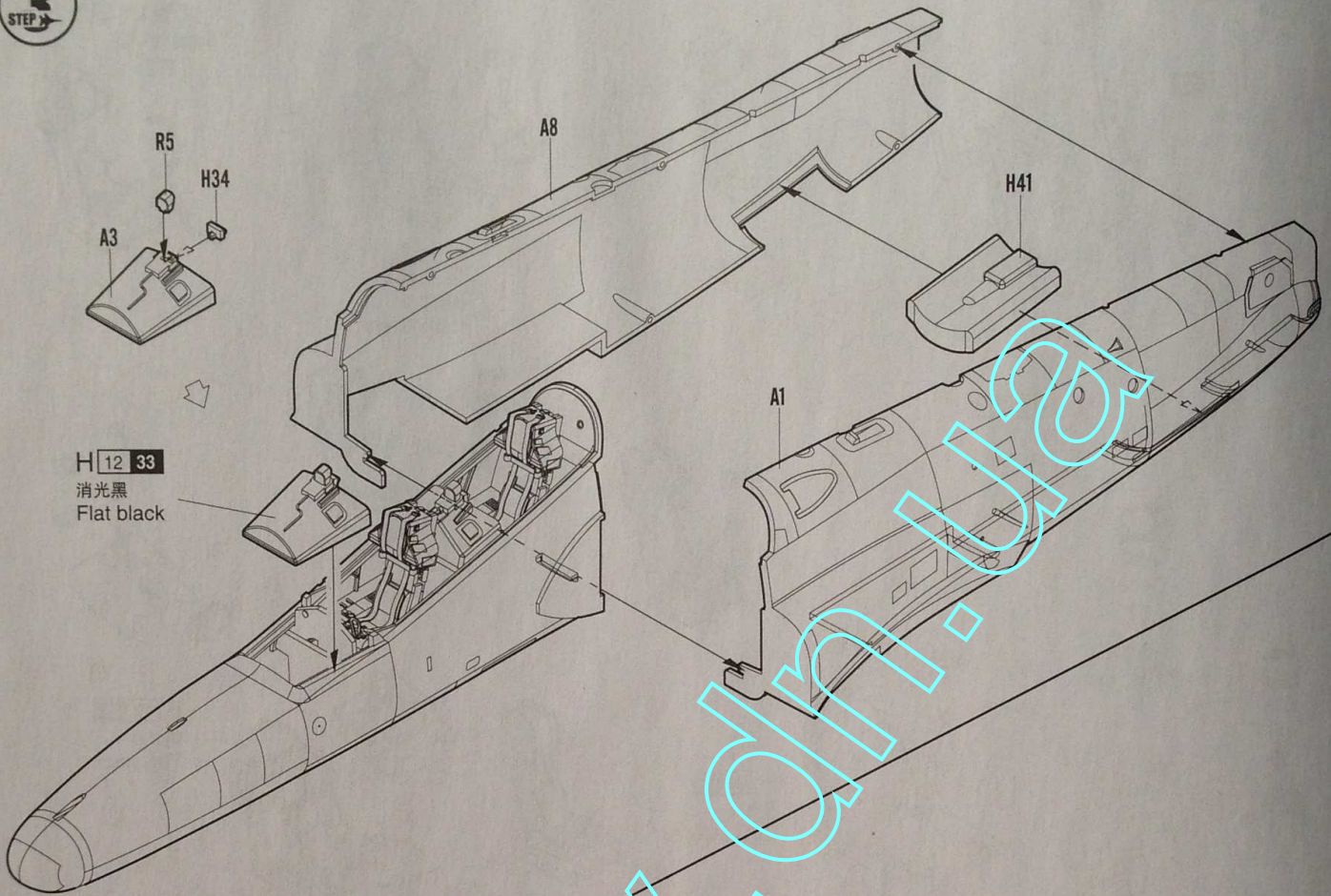
《座舱》
Cockpit



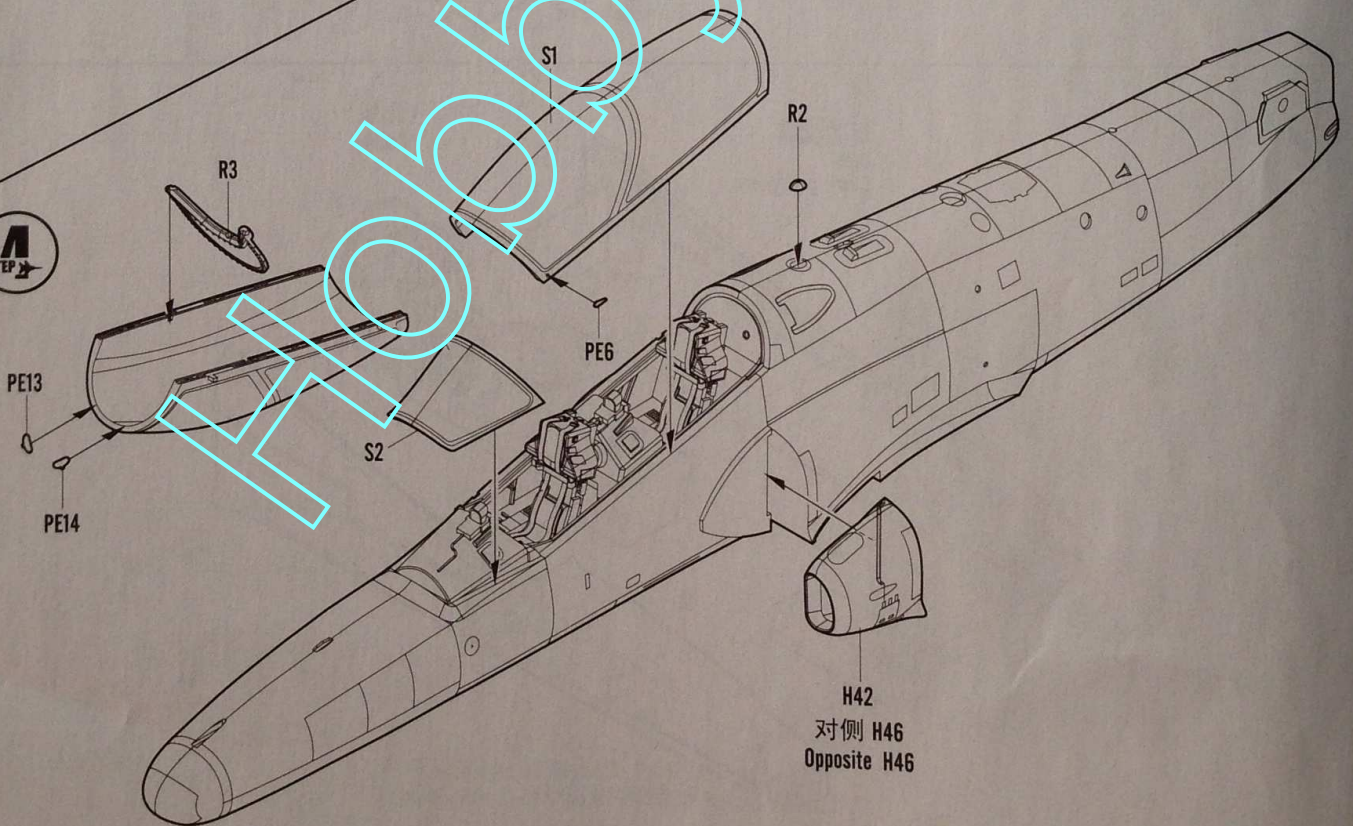
2
STEP



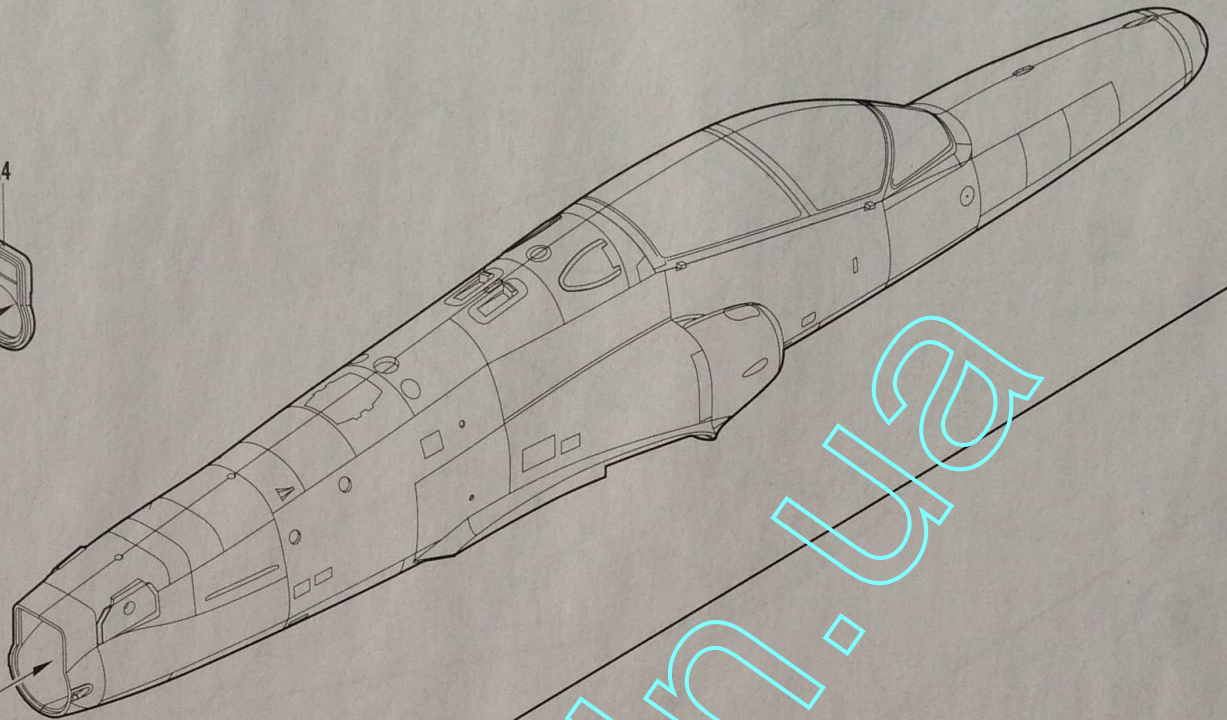
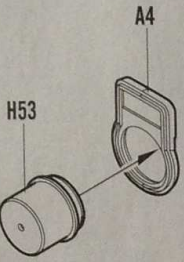
3
STEP



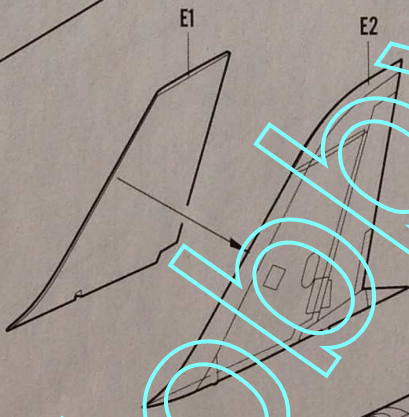
STEP



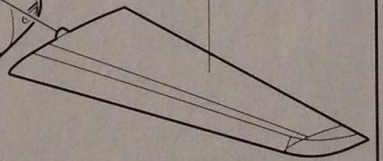
5
STEP



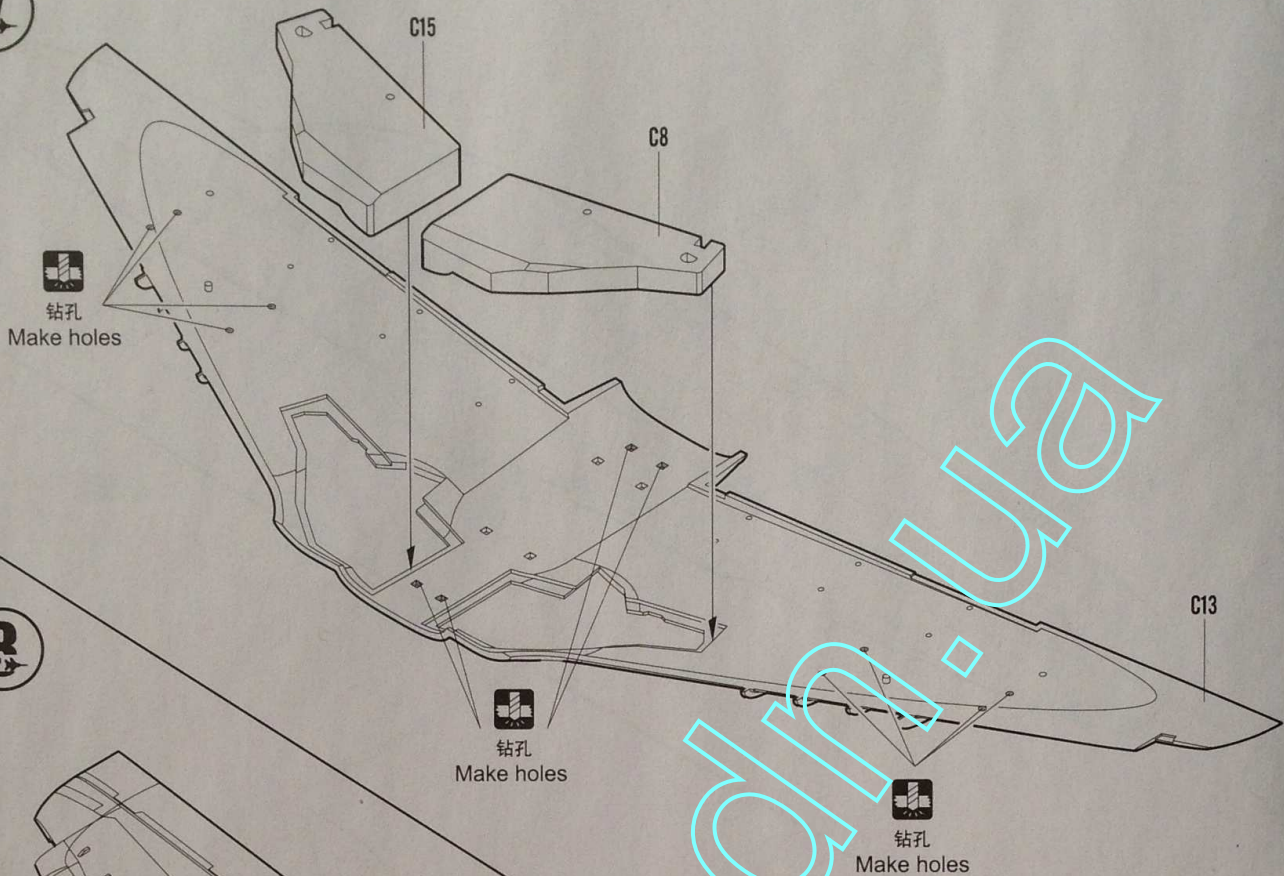
6
STEP



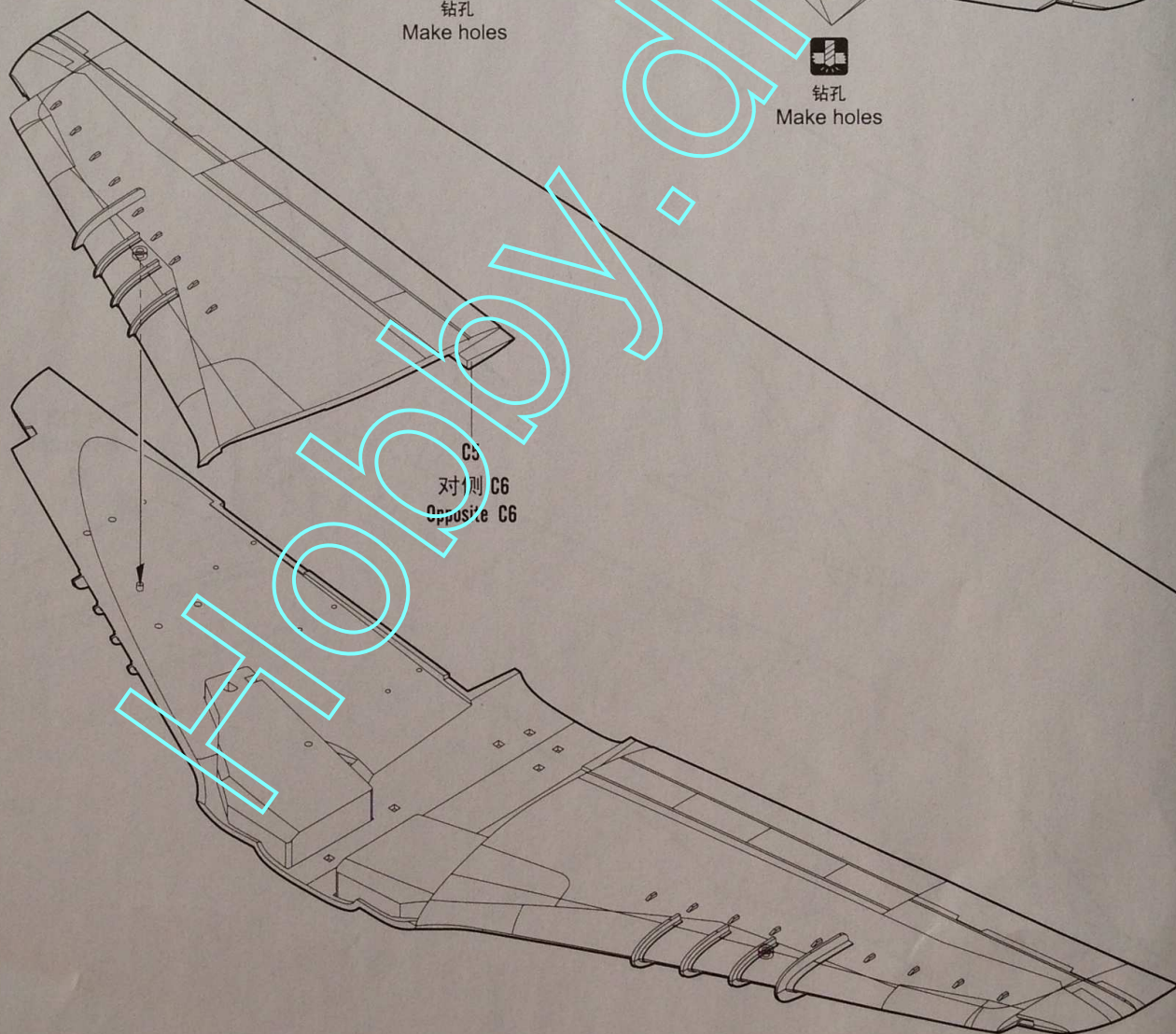
对侧 D1
Opposite D1
D2



7
STEP

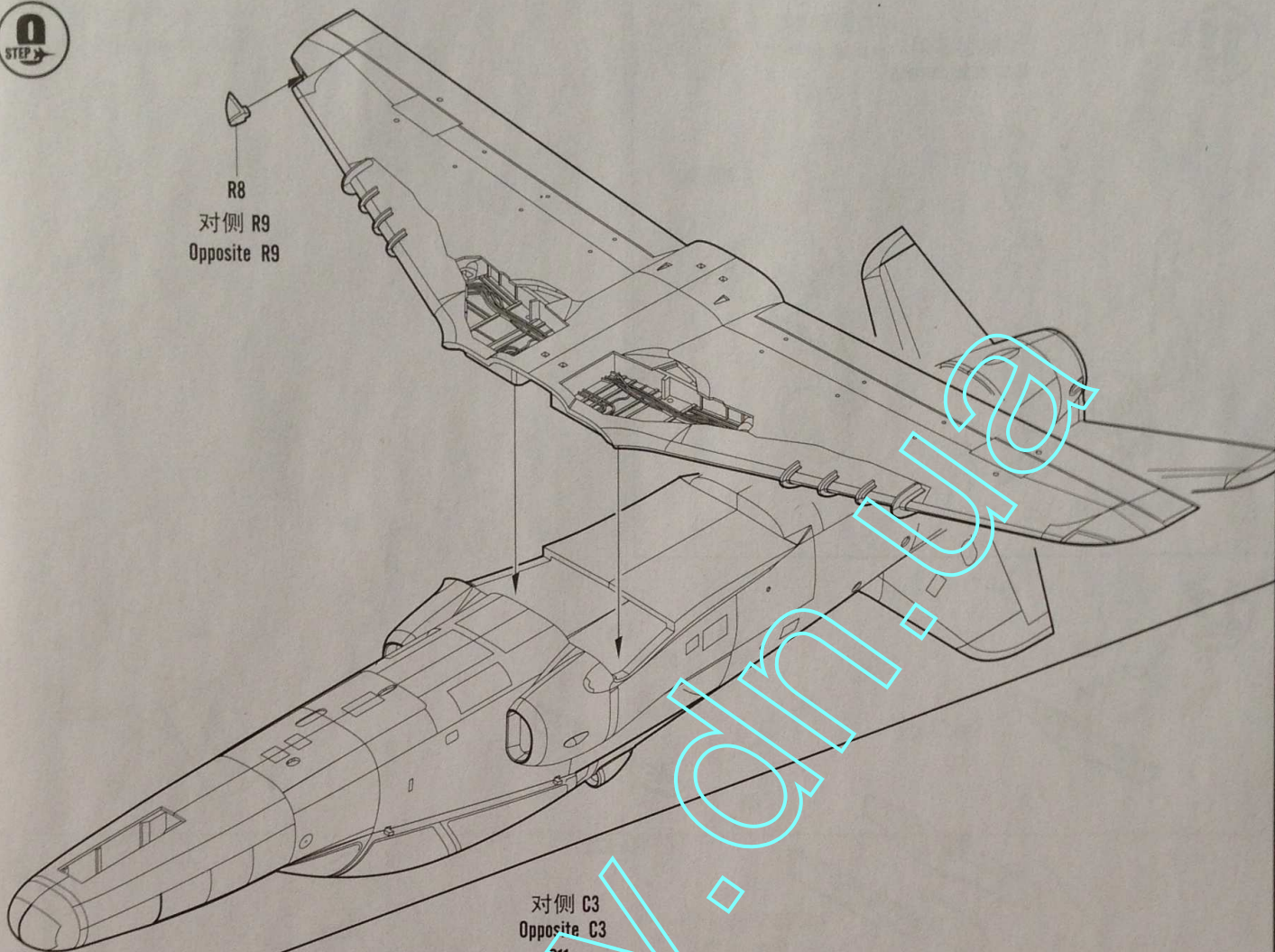


8
STEP



9
STEP

R8
对侧 R9
Opposite R9



对侧 C2
Opposite C2
C10

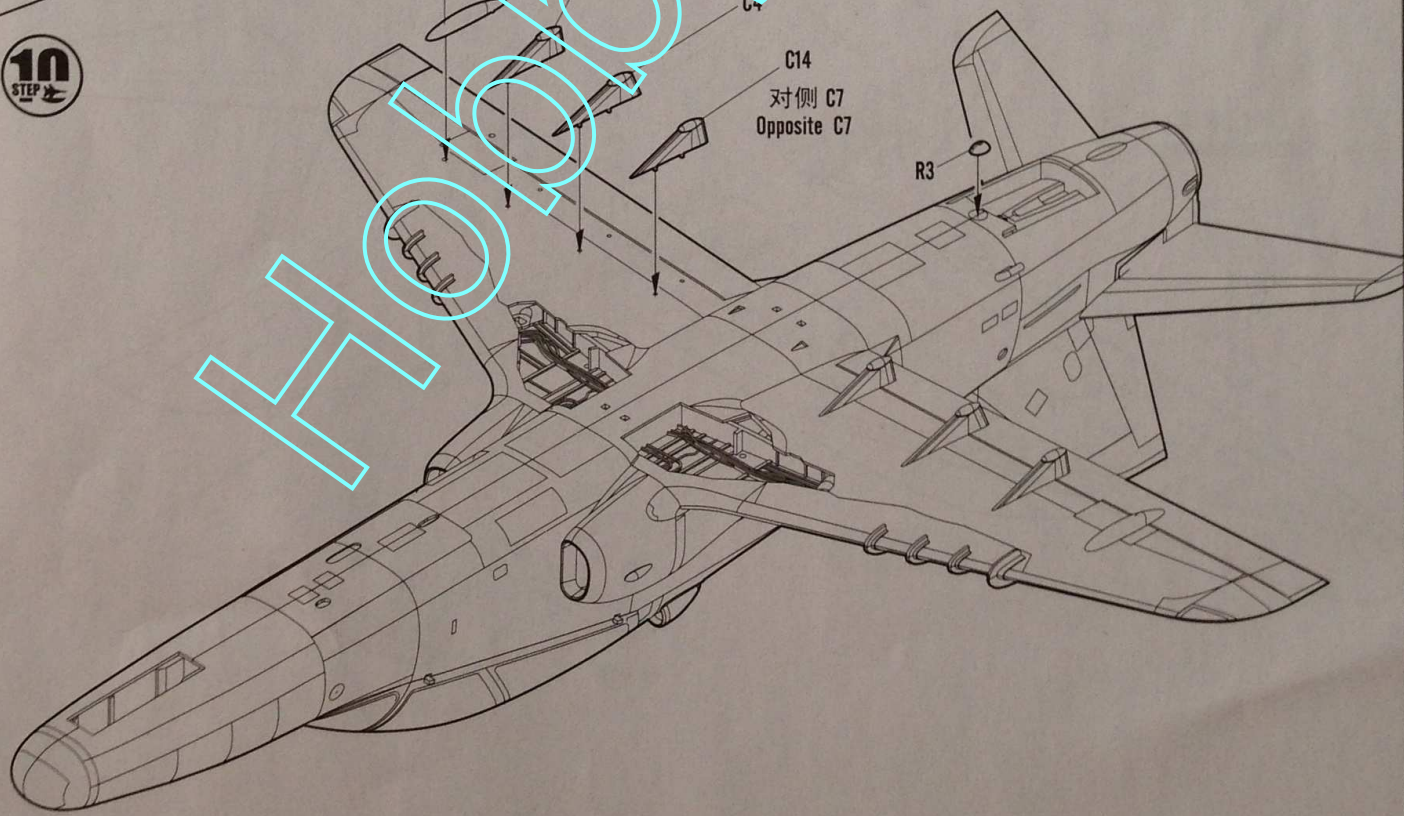
对侧 C3
Opposite C3
C11

对侧 C12
Opposite C12
C4

C14
对侧 C7
Opposite C7

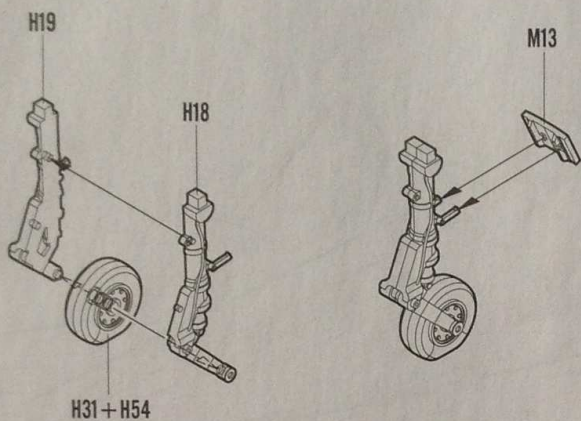
R3

10
STEP

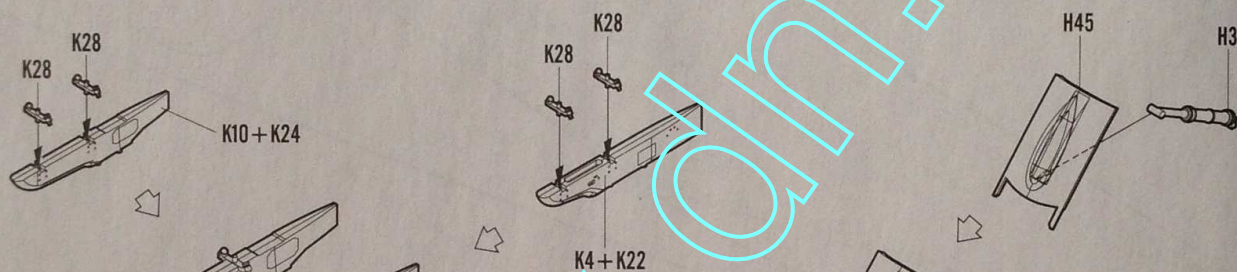


11
STEP

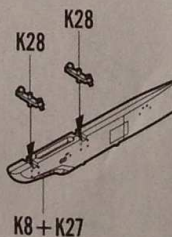
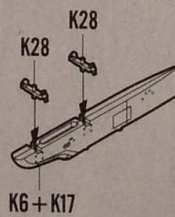
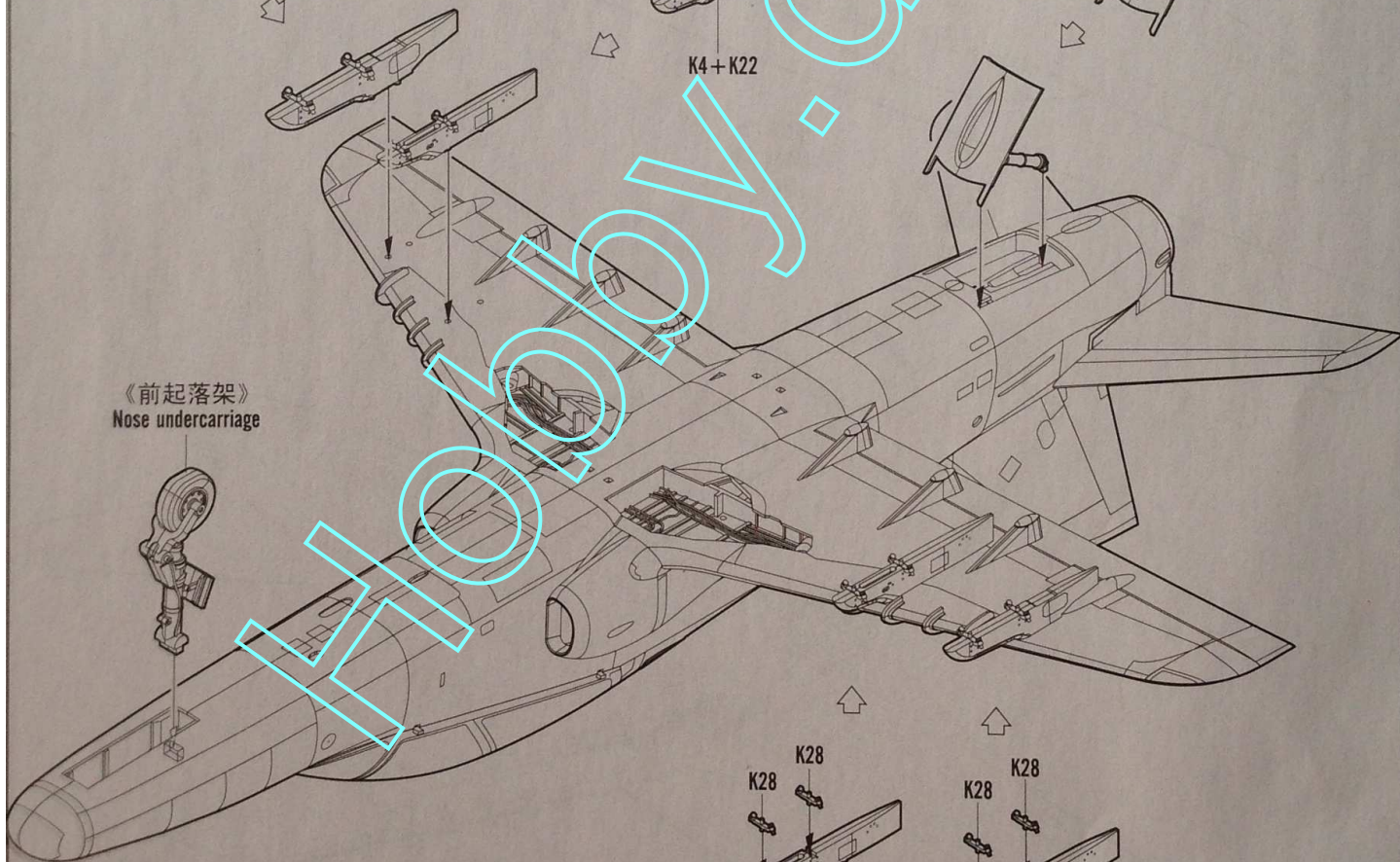
《前起落架》
Nose undercarriage



12
STEP

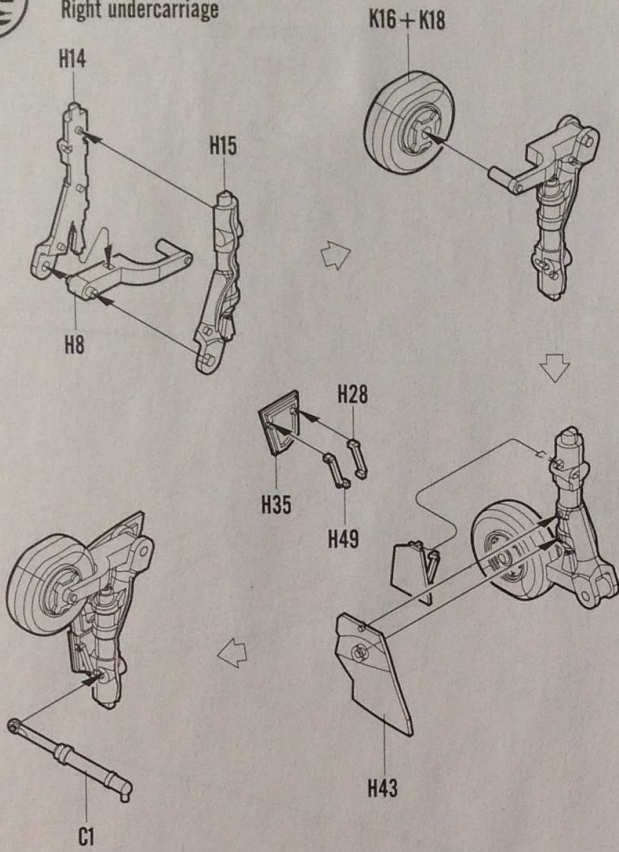


《前起落架》
Nose undercarriage



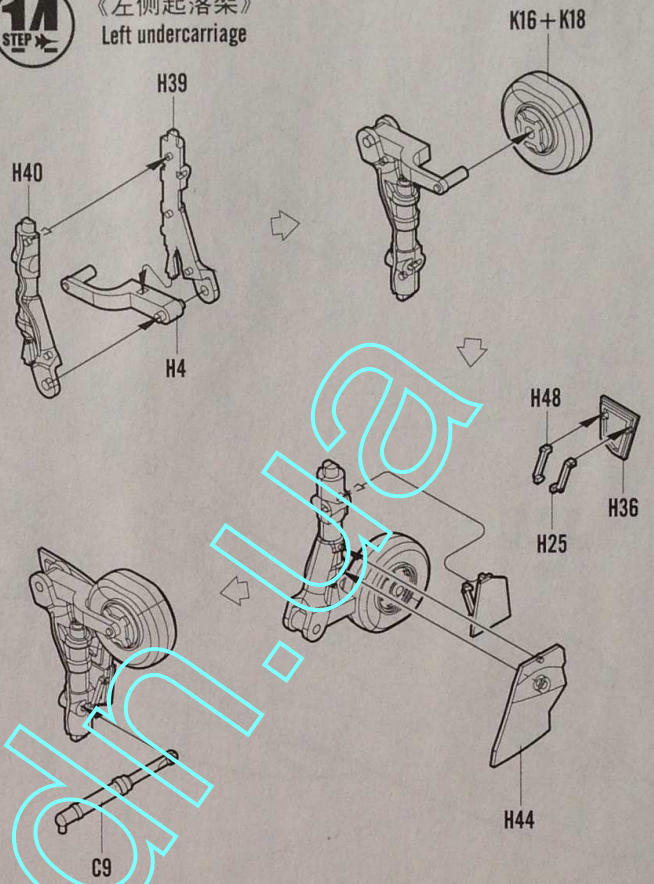
13
STEP

《右侧起落架》
Right undercarriage



14
STEP

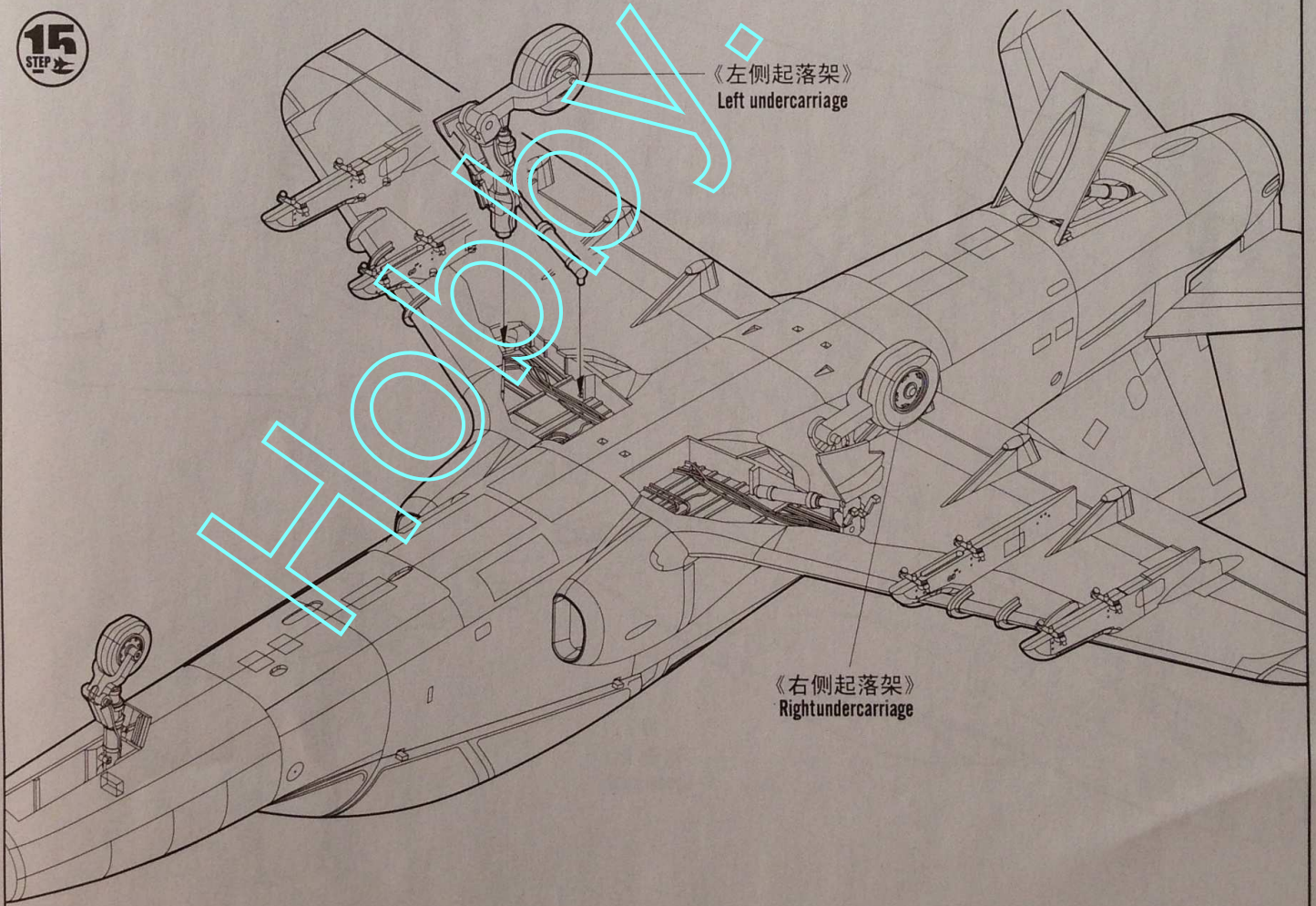
《左侧起落架》
Left undercarriage



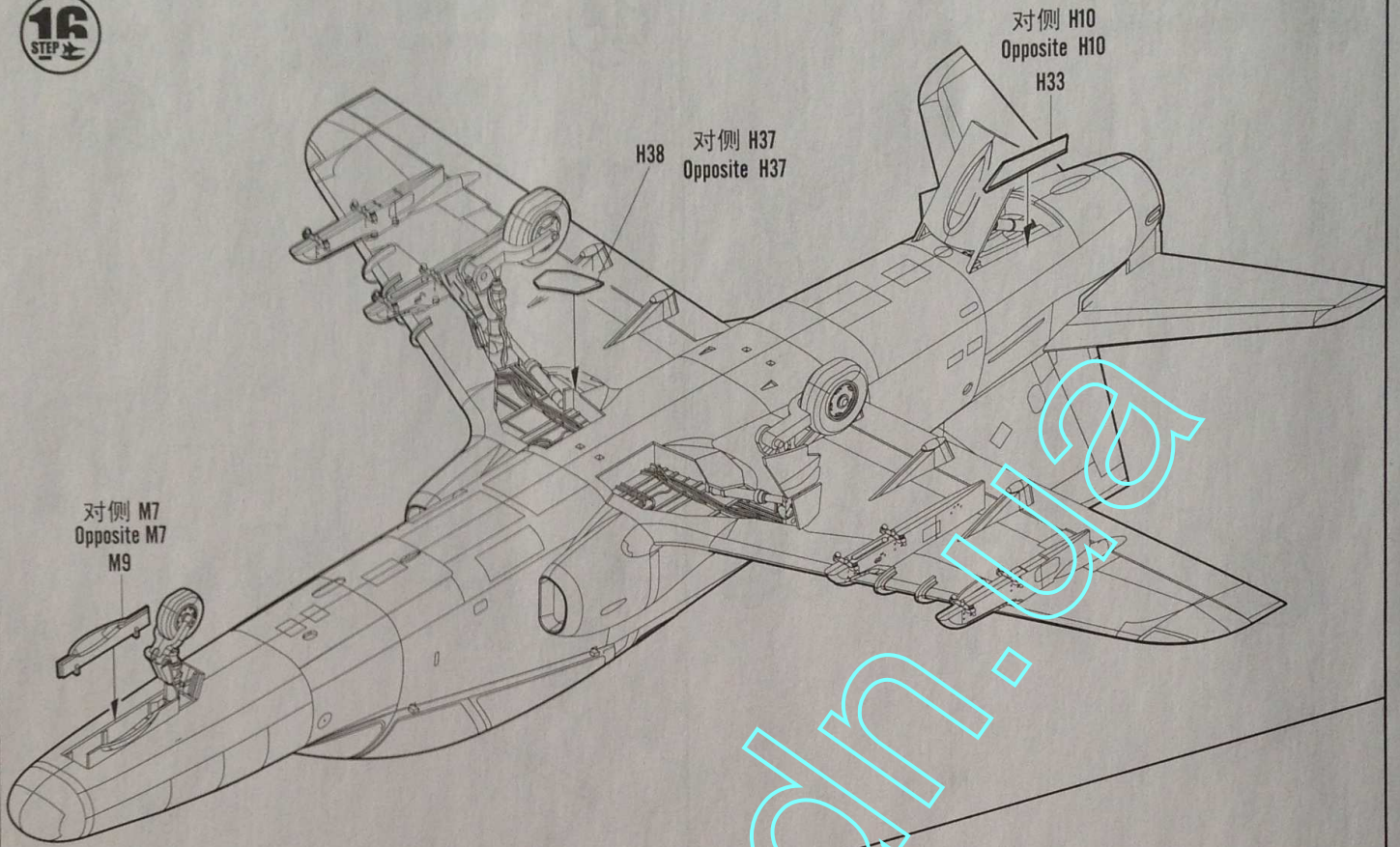
15
STEP

《左侧起落架》
Left undercarriage

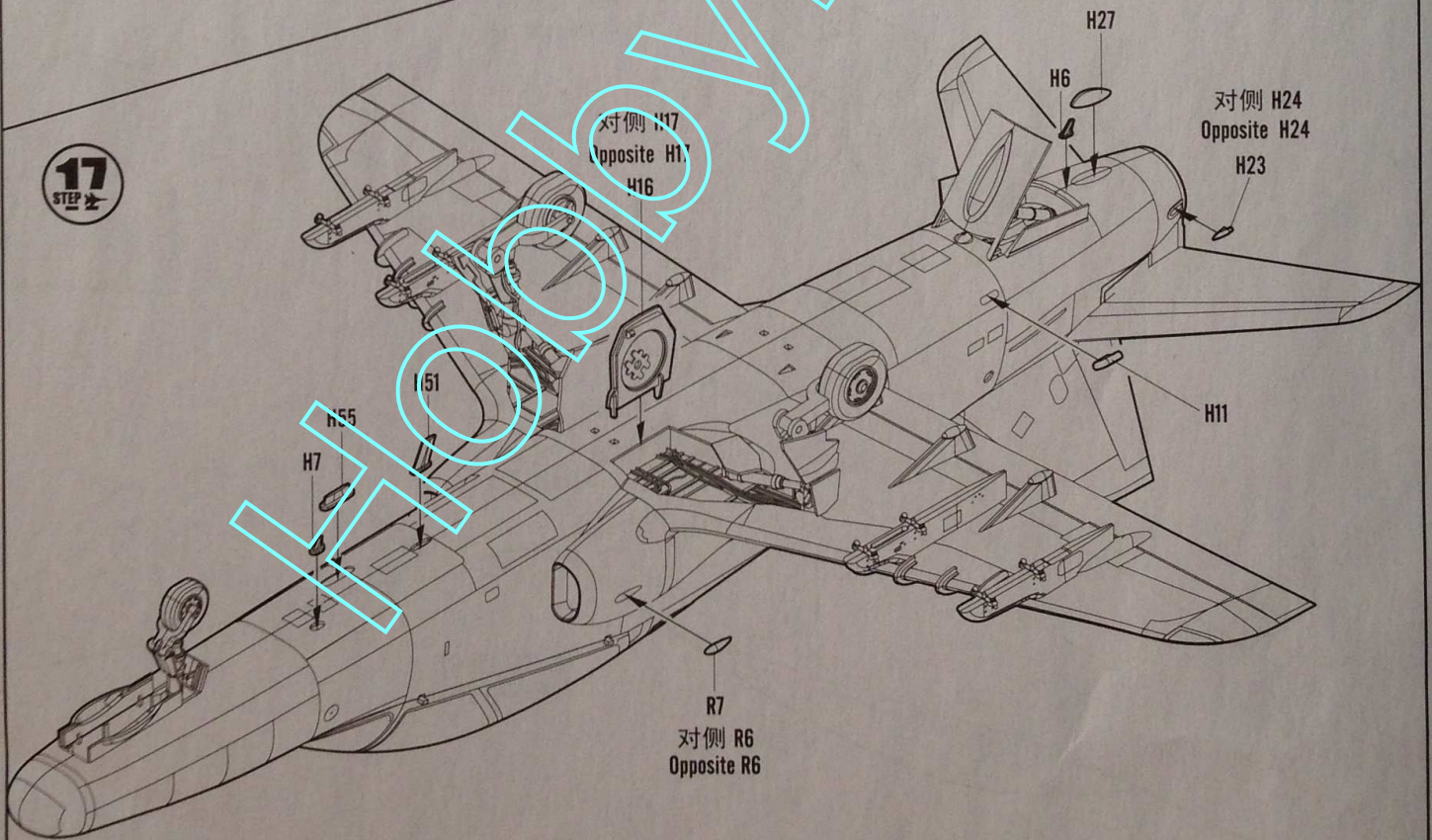
《右侧起落架》
Right undercarriage



16
STEP



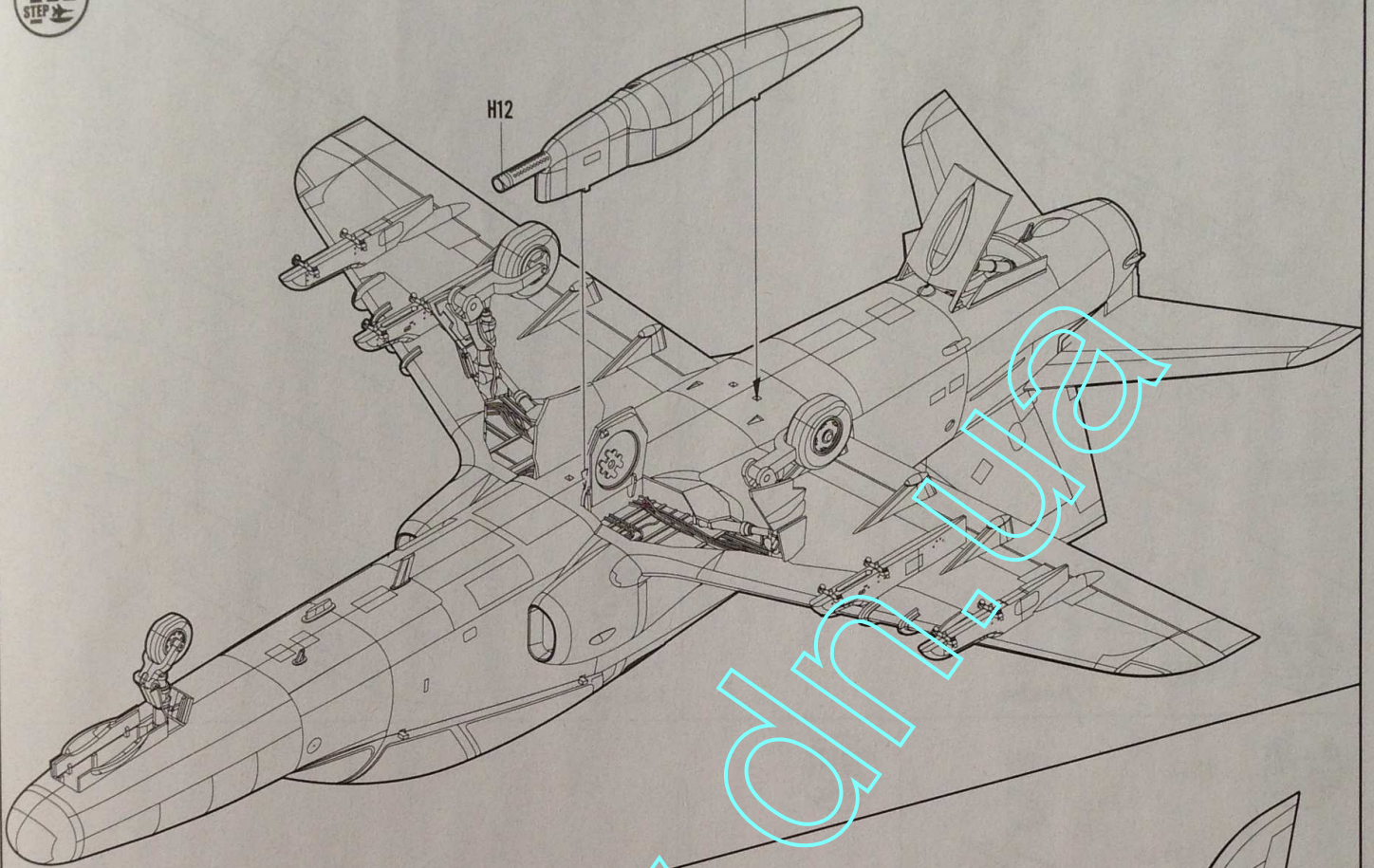
17
STEP



19
STEP

H2 + H30

H12



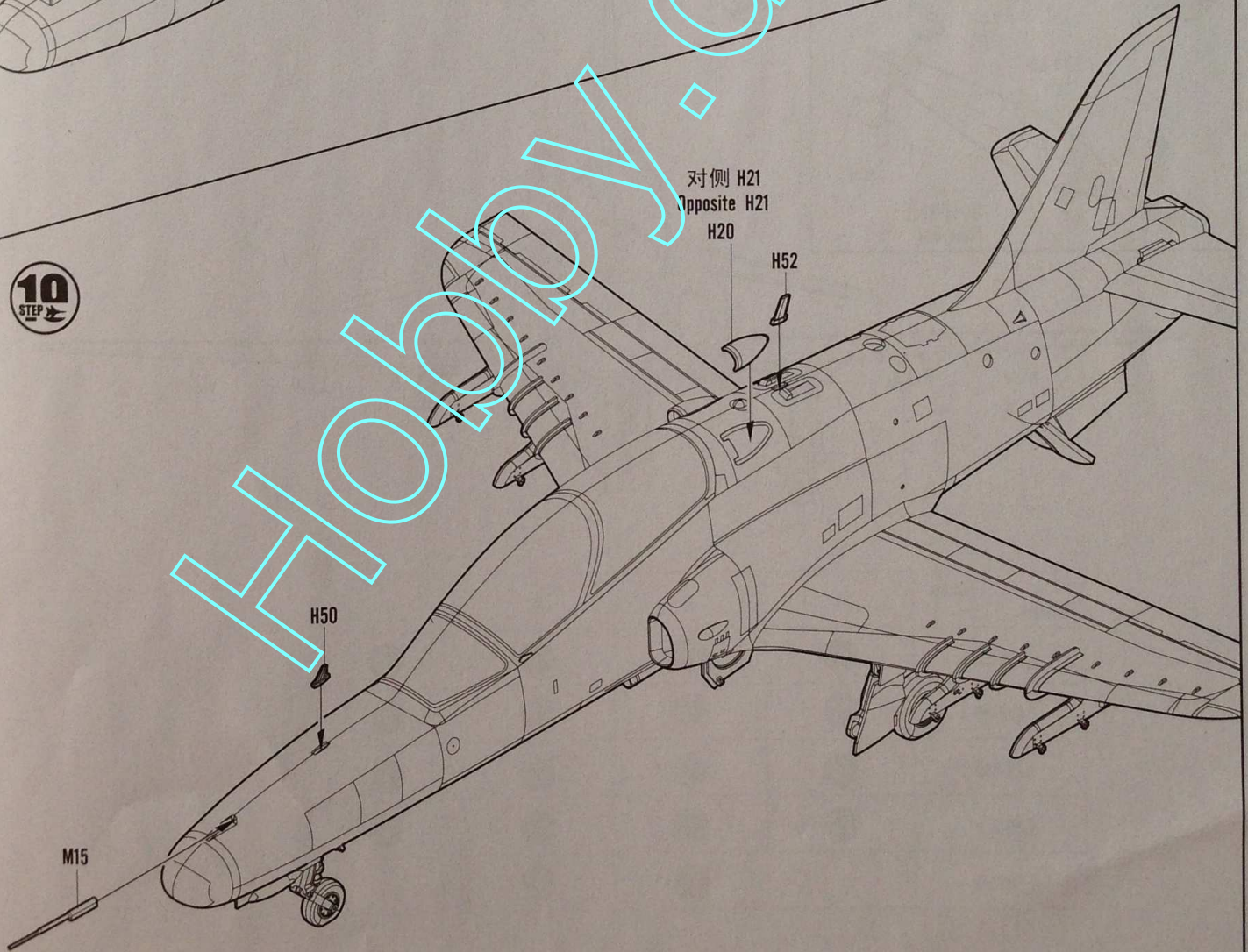
10
STEP

对侧 H21
Opposite H21
H20

H52

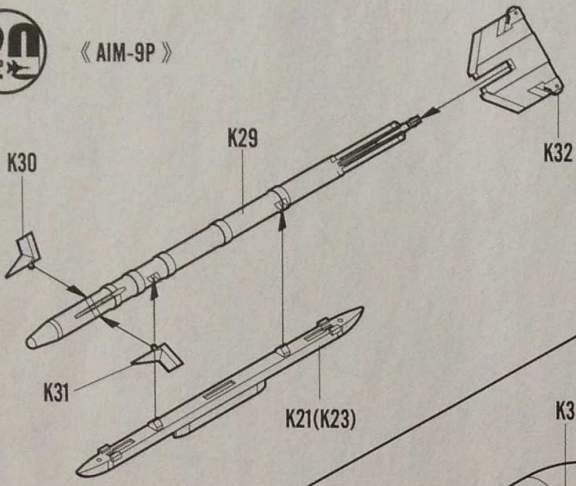
H50

M15



20
STEP

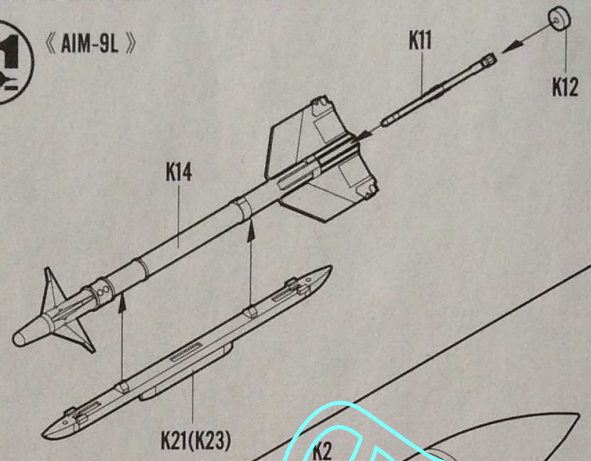
《 AIM-9P 》



制作2组
Make Two

21
STEP

《 AIM-9L 》

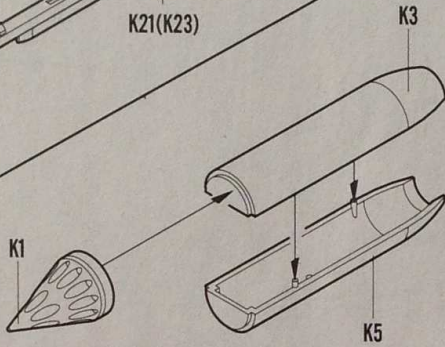


制作2组
Make Two

22
STEP

《 LR-155 》

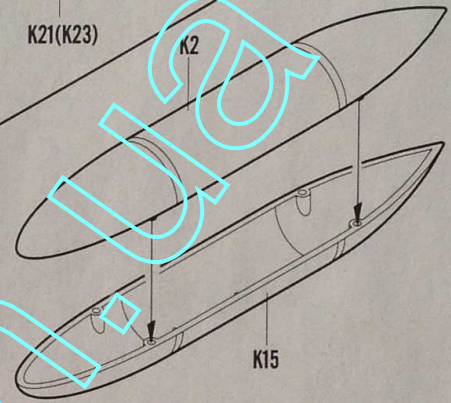
制作2组
Make Two



23
STEP

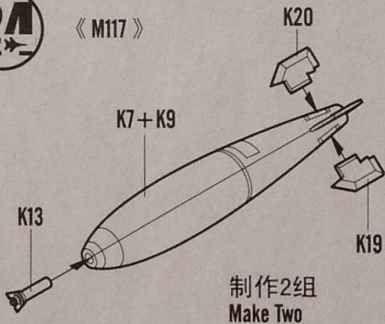
《 TANK 》

制作2组
Make Two



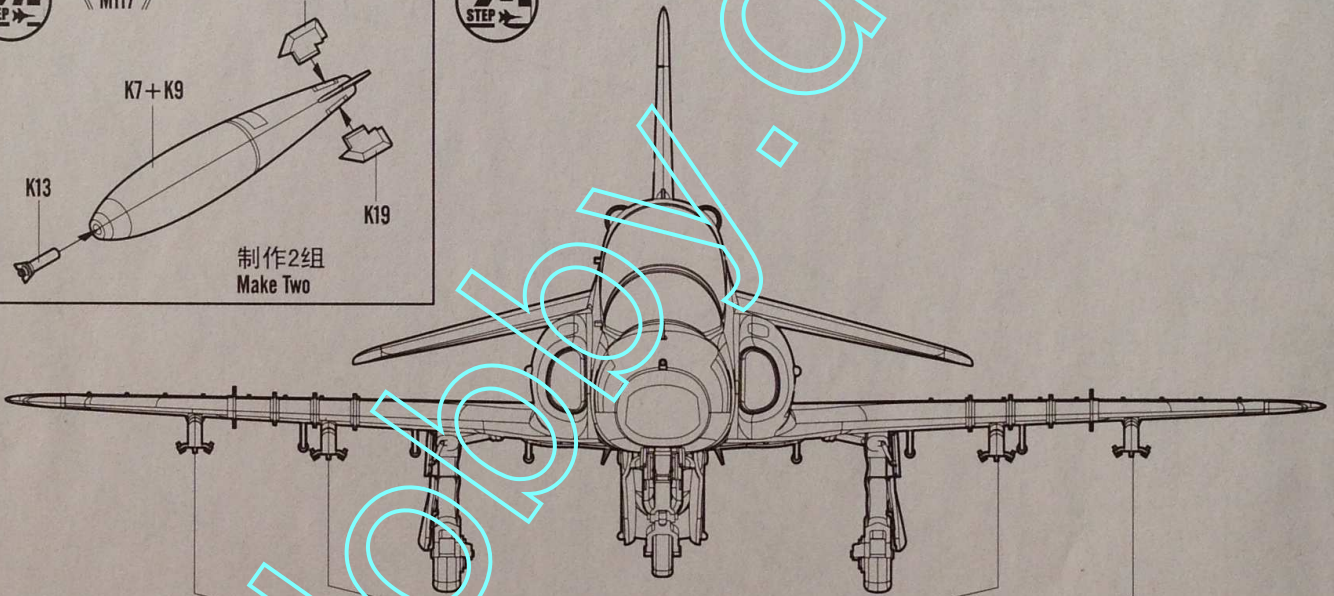
24
STEP

《 M117 》



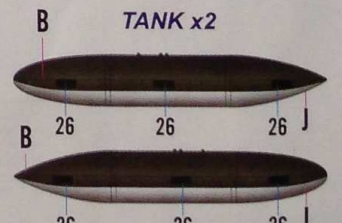
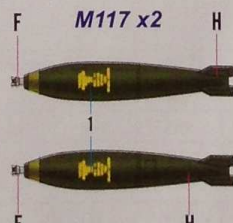
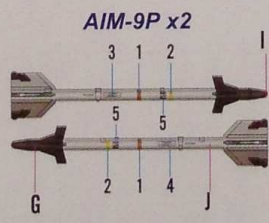
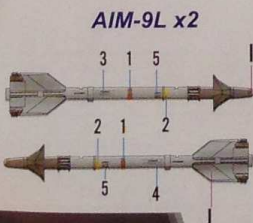
制作2组
Make Two

25
STEP



Missile	Sta. No.	1	2	3	4
《 AIM-9L 》		●	●	●	●
《 AIM-9P 》		●	●	●	●
《 LR-155 》		●	●	●	●
《 M117 》		●	●	●	●
《 TANK 》			●	●	

I BAE. Hawk Mk 67, 67-503 Hankook Kong Goon, South Korea 1995



NO.:81734

※ Some paints may not be available in your country. Please check your local hobby shop for substitute



BAe Hawk Mk 67, with pre-delivery temporary MoD serial number ZH613, Hankook Kong Goon, (Republic of Korea Air Force), UK 1993



Color	Mr.Hobby	Vallejo	Model Master	Tamiya	Humbrol	Color	Mr.Hobby	Vallejo	Model Master	Tamiya	Humbrol
A 浅绿 Light Green	H [303 303]	--	1713	XF20	117	G 黑色 Black	H [2 2]	861	1747	X1	21
B 绿色 Forest Green	H [309 309]	893	1710	XF58	116	H 橄榄色 Olive Drab (2)	H [78 38]	--	--	--	--
C 棕色 Brown	H [310 310]	874	1742	--	118	I 烟灰色 Smoke Blue	H [95 101]	--	--	--	--
D 透明红 Clear Red	H [90 47]	934	--	X27	--	J 白色 White Insignia	H [316 316]	991	1745	X2	22
E 红 Red	H [3 3]	908	1503	X7	19	K 透明蓝 Clear Blue	H [93 50]	938	--	X23	--
F 银色 Silver	H [8 8]	997	1546	X11	11	L 透明绿 Clear Green	H [94 94]	--	--	--	--