



## Swedish CV90-40 IFV

### スウェーデン陸軍 CV90-40 歩兵戦闘車

### 瑞典CV90-40步兵战车

#### PLEASE READ BEFORE OPERATION!

- \* Tools recommended as below: (Not included)  
Adhesives; Paints; Side Cutters; Sharp Edged Pliers; Modeling Knife; Modeling File; Nippers; Drill; Scissors; Sand Paper; Soft Cloth; Cyanoacrylate's Glue.
- \* Make sure to read this instruction listed below before assembling.
- \* The kit contains the small parts, they can be dangerous if swallowed by mistake, so keep them away from reach of children.
- \* Cut the all parts off carefully and remove the waste parts into the garbage can.
- \* More caution and care should be needed for cutting and handling the photo etched parts.
- \* Make attention that some parts should be attached the decal when assembled.
- \* During assembling, please tear up and throw away the plastic bags, or may cause the dangerous if wearing over head by children's mistake.
- \* When using the adhesives and paints, please do not use them in the closed room or near the fire, also must be very careful to protect your eyes, face and clothes.
- \* Adult supervised when assembled by children under 14 years old.

#### 装配前请仔细阅读:

- \* 推荐使用的模型工具(请自备):  
专用模型胶水, 专用模型油漆, 水口剪刀, 长咀钳, 刀片, 锉刀, 镊子钳, 钻, 剪刀, 软布, 砂纸, 瞬间快干胶等。
- \* 用水口剪刀或刀片小心切下所有塑胶零件和蚀刻片零件, 不要遗失小零件。
- \* 切取蚀刻片时应特别注意防止利边划伤手指。
- \* 用模型锉刀小心锉平所有零件表面的注射浇口。
- \* 用适量的强力快干胶水粘合蚀刻片零件和金属轴, 切忌过量, 否则可能导致可动零件被粘住。
- \* 注意某些零件表面需在装配时同步贴水上贴纸。
- \* 制作时应远离幼儿并将包装袋及时收妥, 谨防小孩玩耍而引起意外。



using ca super glue  
使用强力胶



weight  
配重



make hole  
钻孔



cut / remove  
切除



option  
选择



no cement  
不涂胶水



decal  
贴纸



bend  
弯曲



repair  
填补

#### The method to apply the decals

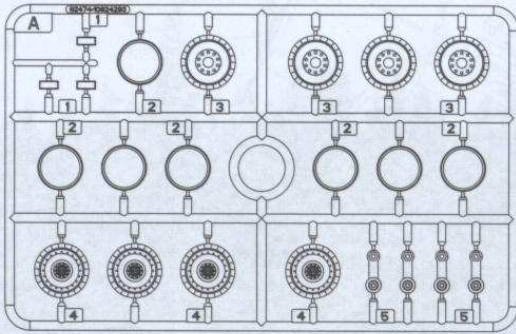
1. Cut off the decal from the decal paper and put it into the warm water 40°C for 10 seconds.
2. Take the decal from the water and put it on a piece of clean cloth.
3. Remove the decal slowly from the paper to the targeted location by a wet finger.
4. Use a piece of dry and soft cloth to press it gently on the decal until it getting dry and no bubble existing.

#### 水贴纸的使用方法:

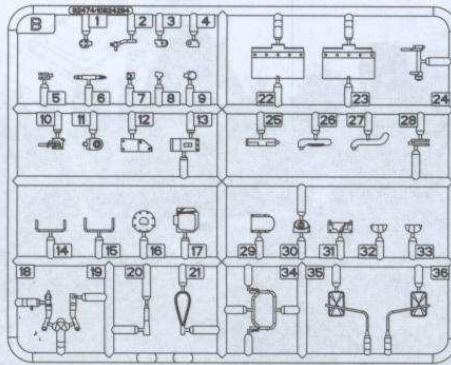
- 一. 把相关的印花从水贴纸上剪下, 放入40°C左右的温水中浸10秒。
- 二. 然后将印花放在干净的布上。
- 三. 拿上印花纸, 手指蘸水将印花移到适当的位置。
- 四. 用软干布轻压印花直至水干, 气泡消失。

# 部品图 Part

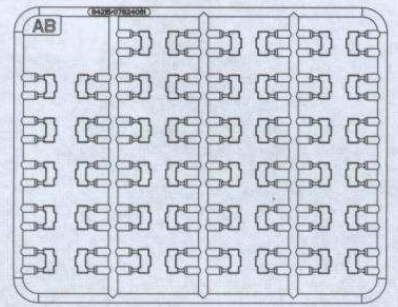
A×4



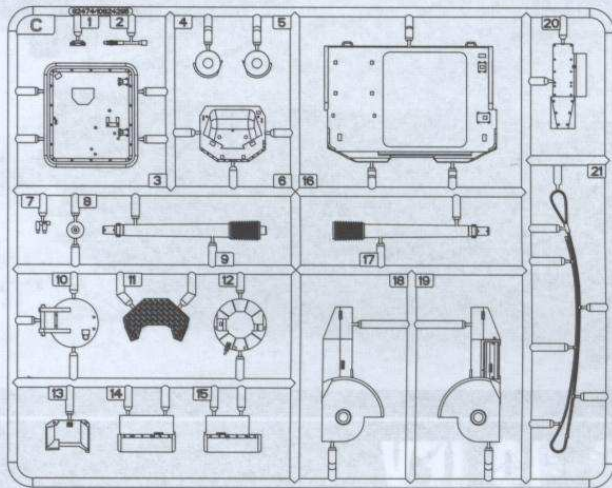
B×1



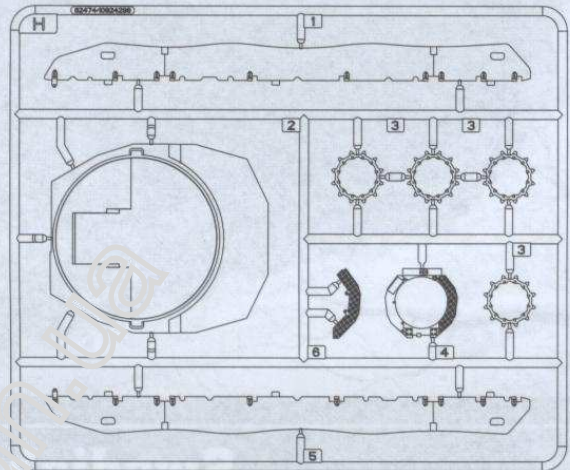
AB×4



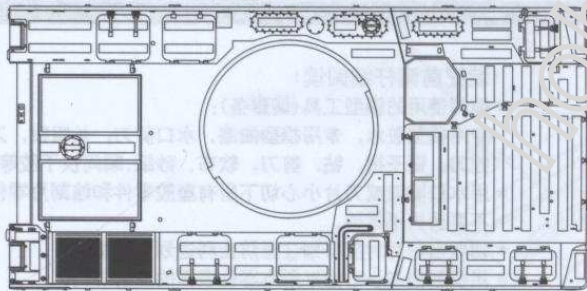
C×1



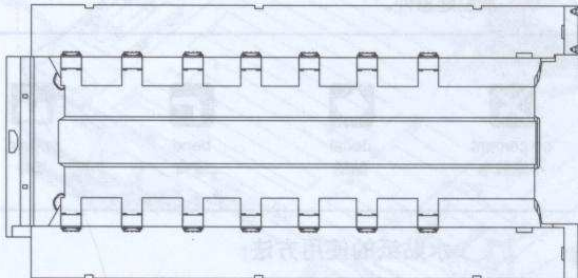
H×1



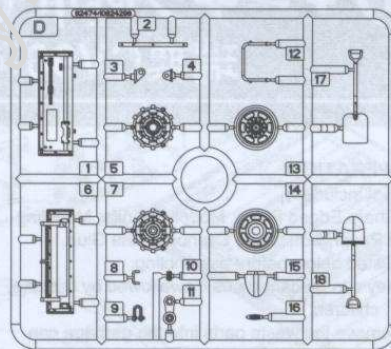
车面  
Upper hull



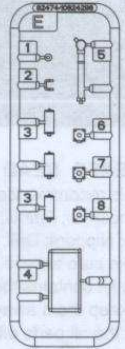
车底  
Lower hull



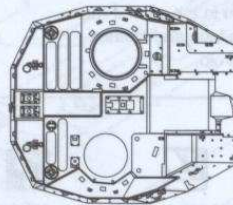
I×2



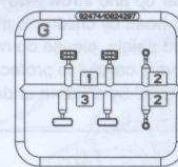
E×2



炮塔  
Turret



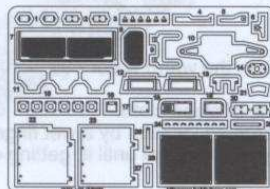
G×1



履带X90  
Track



蚀刻片  
PE



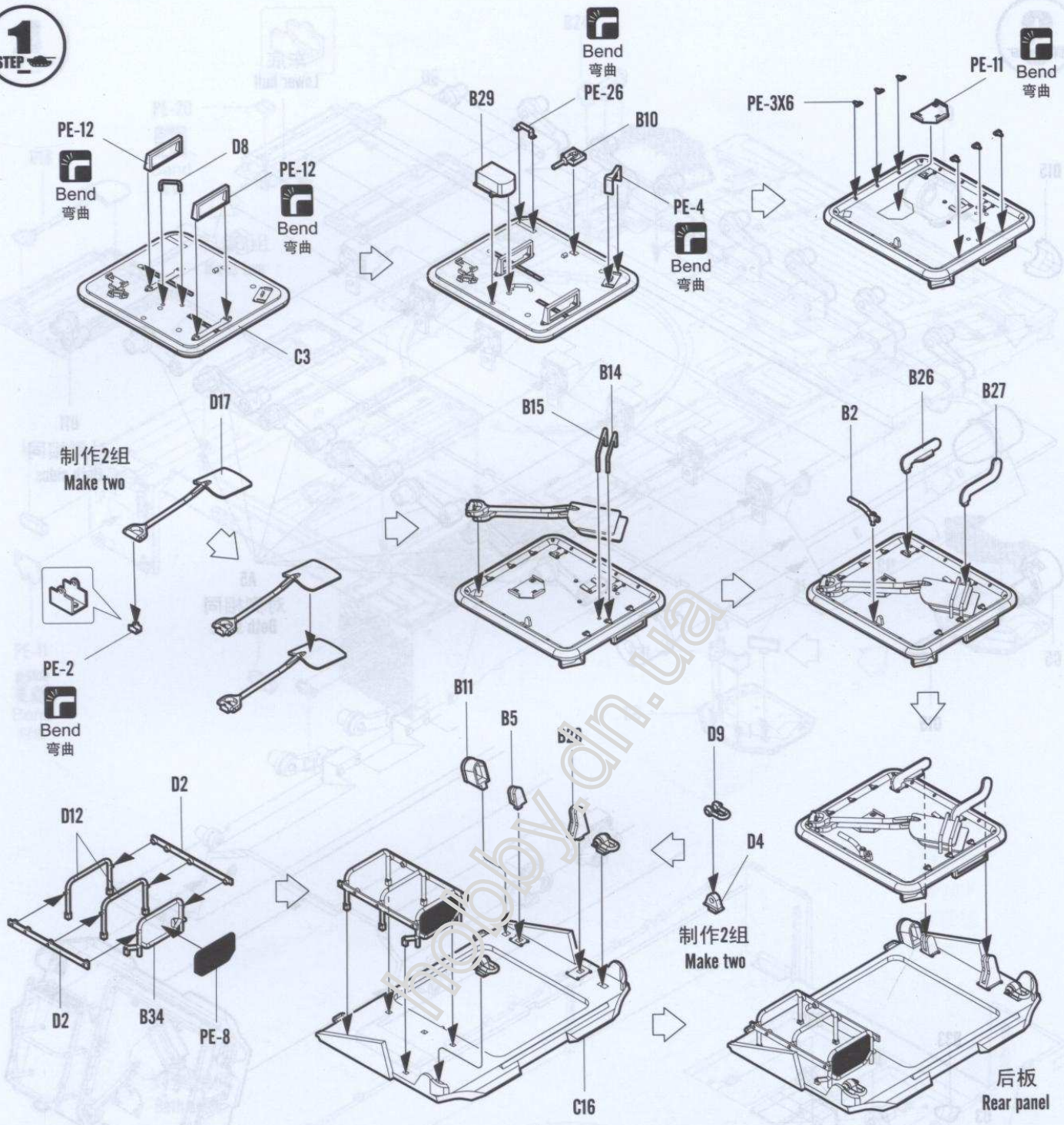
水贴  
Decal

140048	140049	2	11
140051	140052	3	12
140053	140054	4	
140055	140056	5	
140057	140058	6	
140059	140060	7	
140061	140062	8	
140063	140064	9	
140065	140066	10	
140067	140068	11	
140069	140070	12	

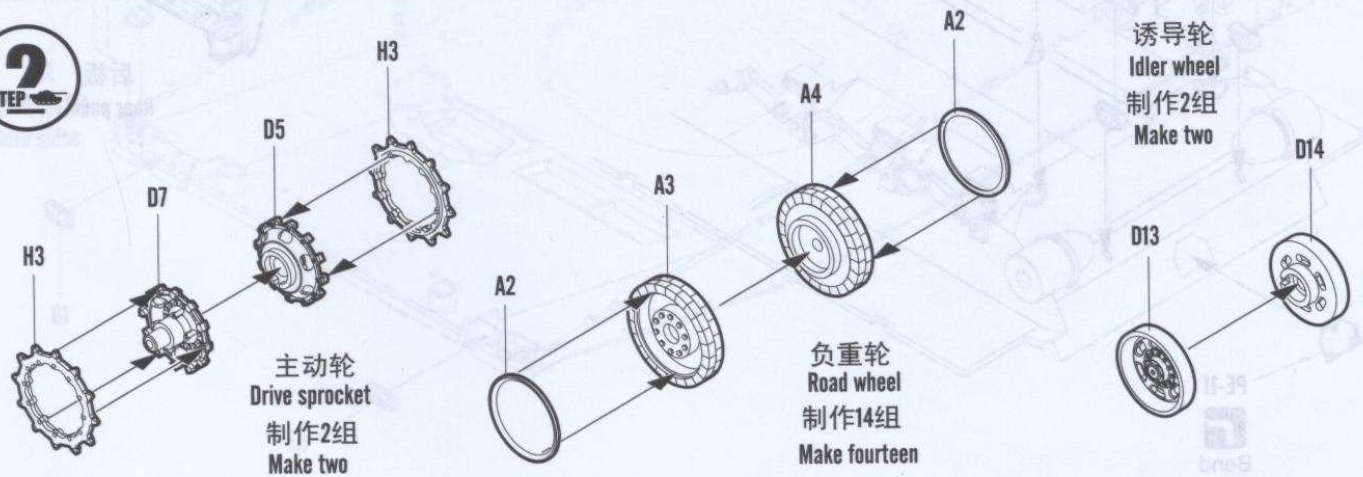
1:35 SCALE Swedish CV90-40 IPV HobbyBox No.82474

不用部品: PE-15、PE-16、PE-17、PE-22  
Unused parts

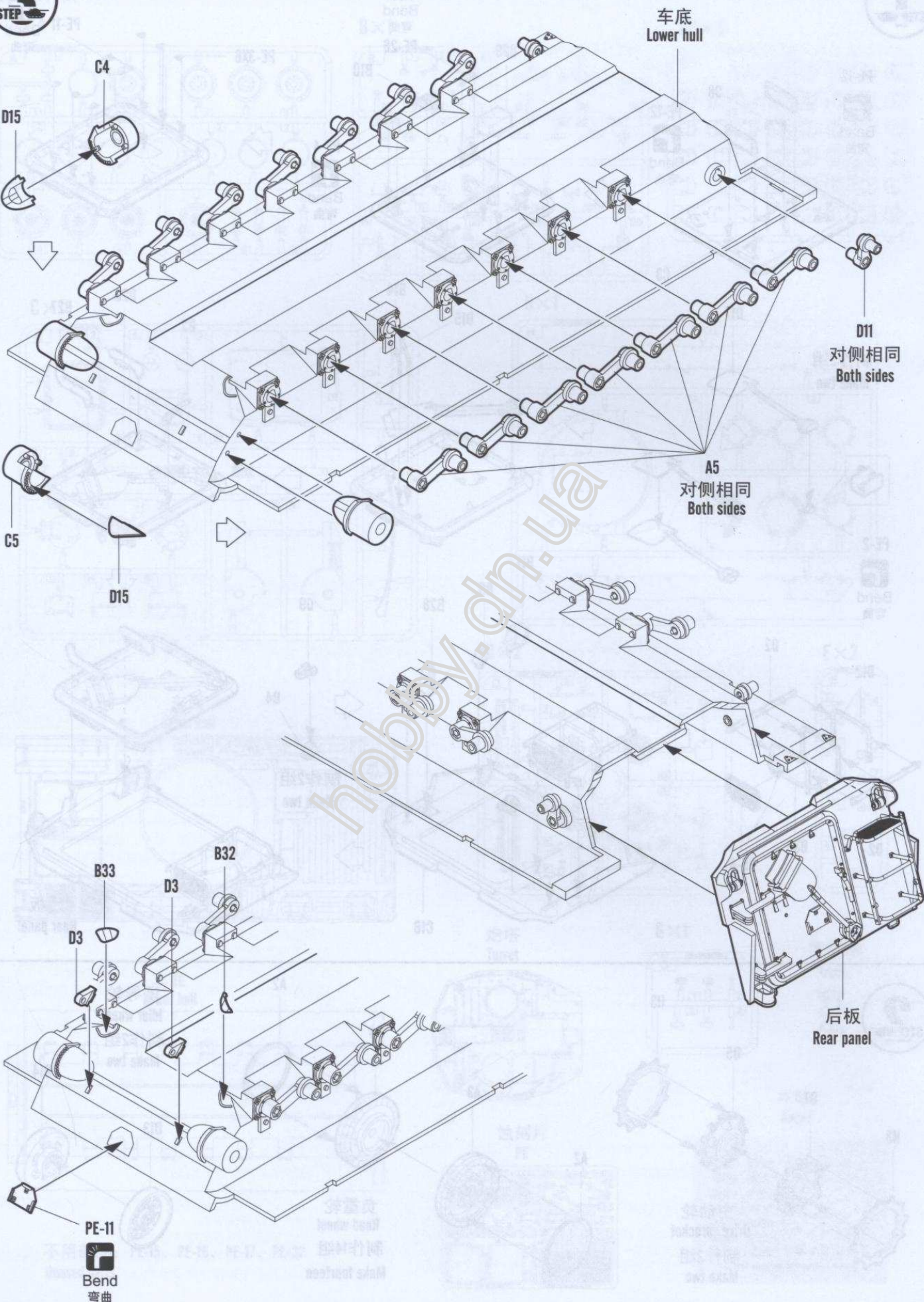
**1**  
STEP

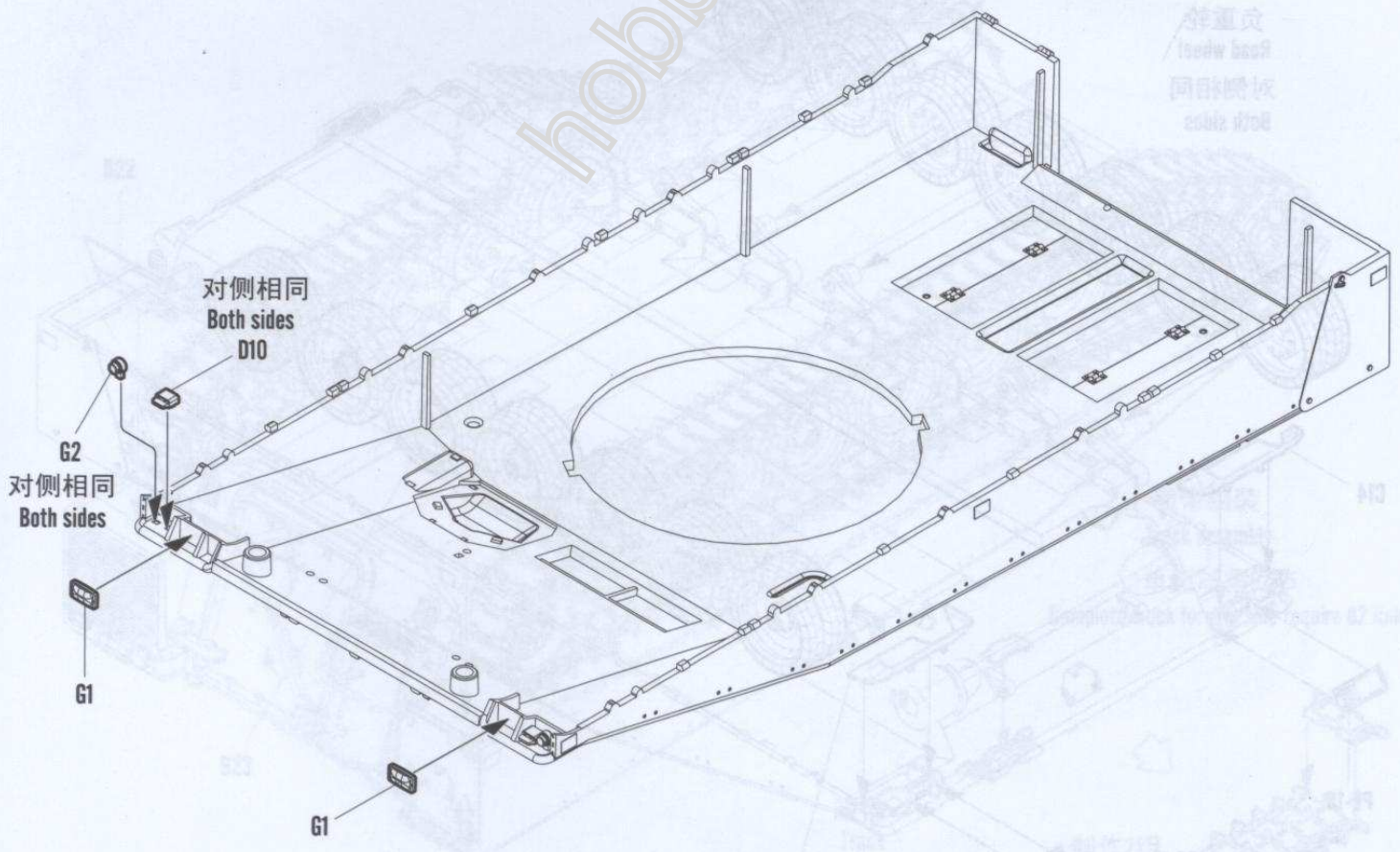
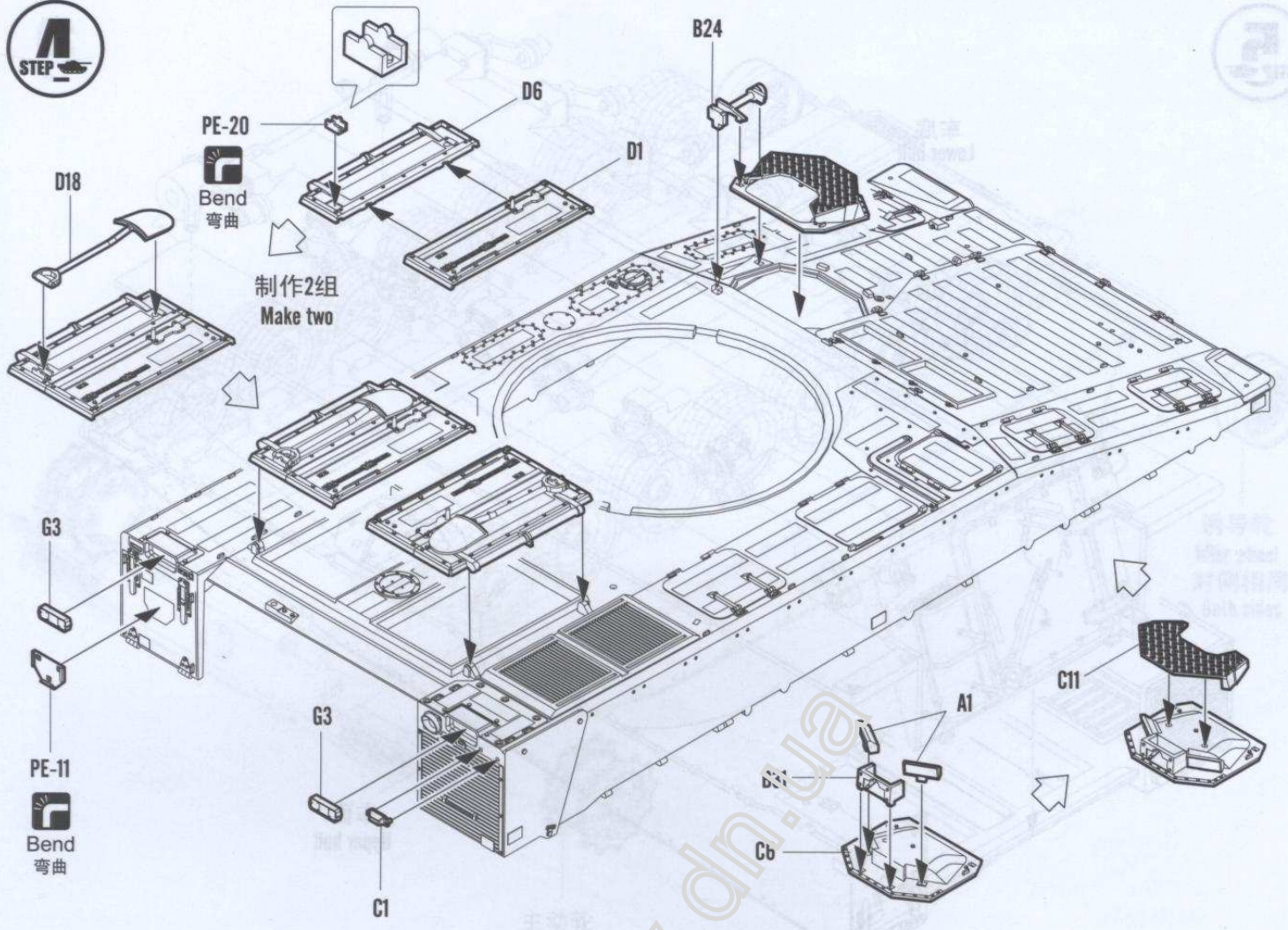


**2**  
STEP



**3**  
STEP

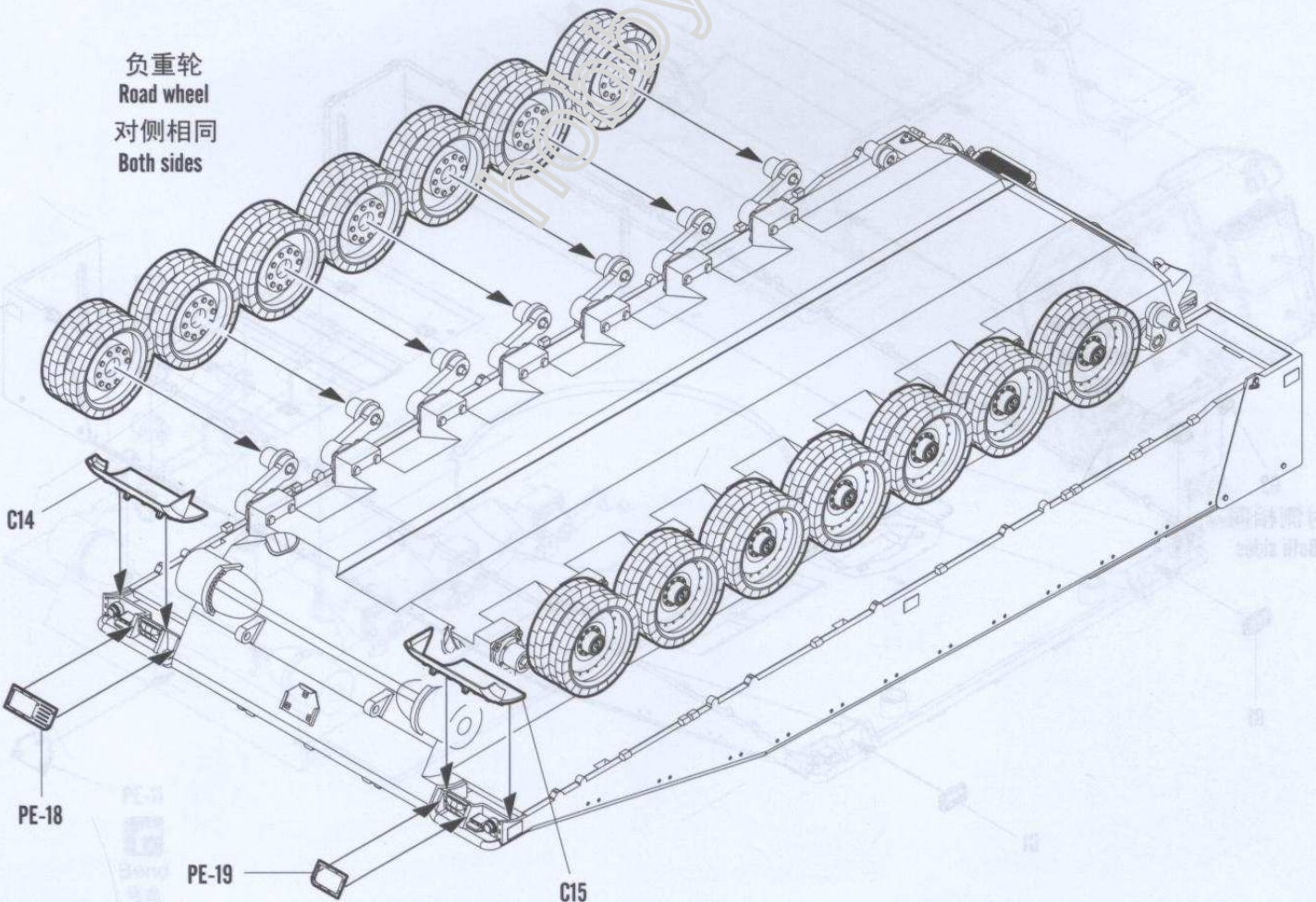


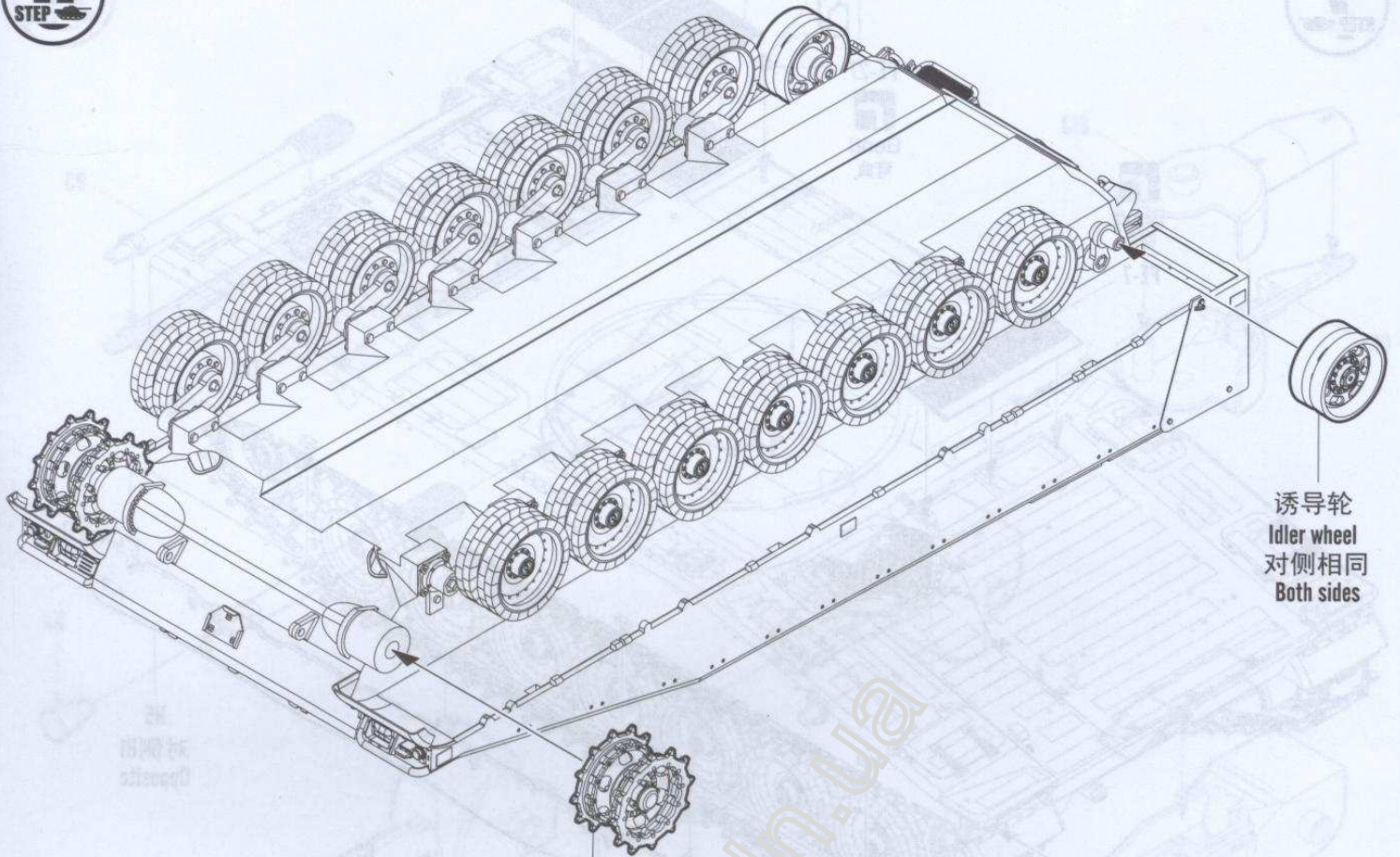


车底  
Lower hull

车面  
Upper hull

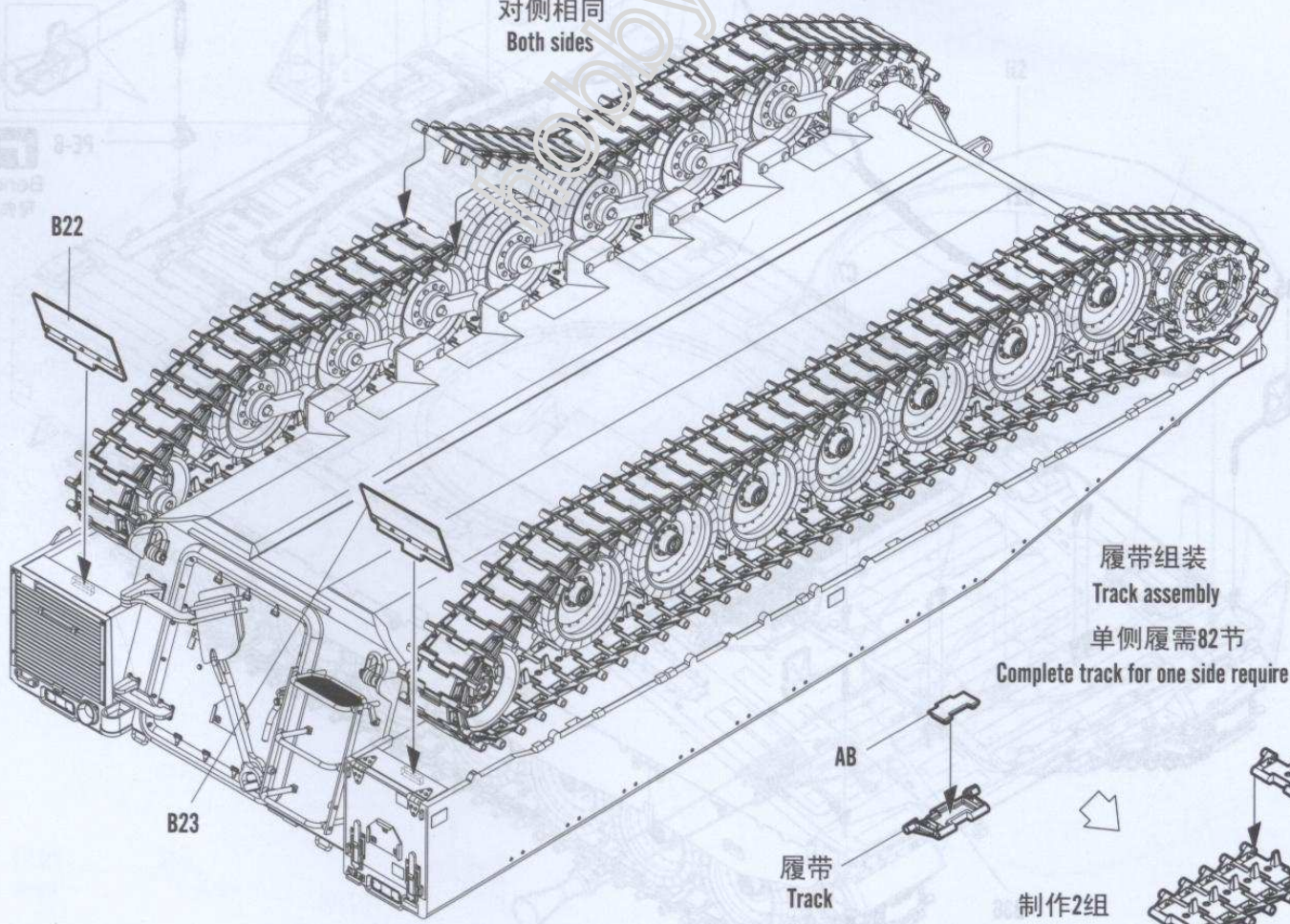
负重轮  
Road wheel  
对侧相同  
Both sides





诱导轮  
Idler wheel  
对侧相同  
Both sides

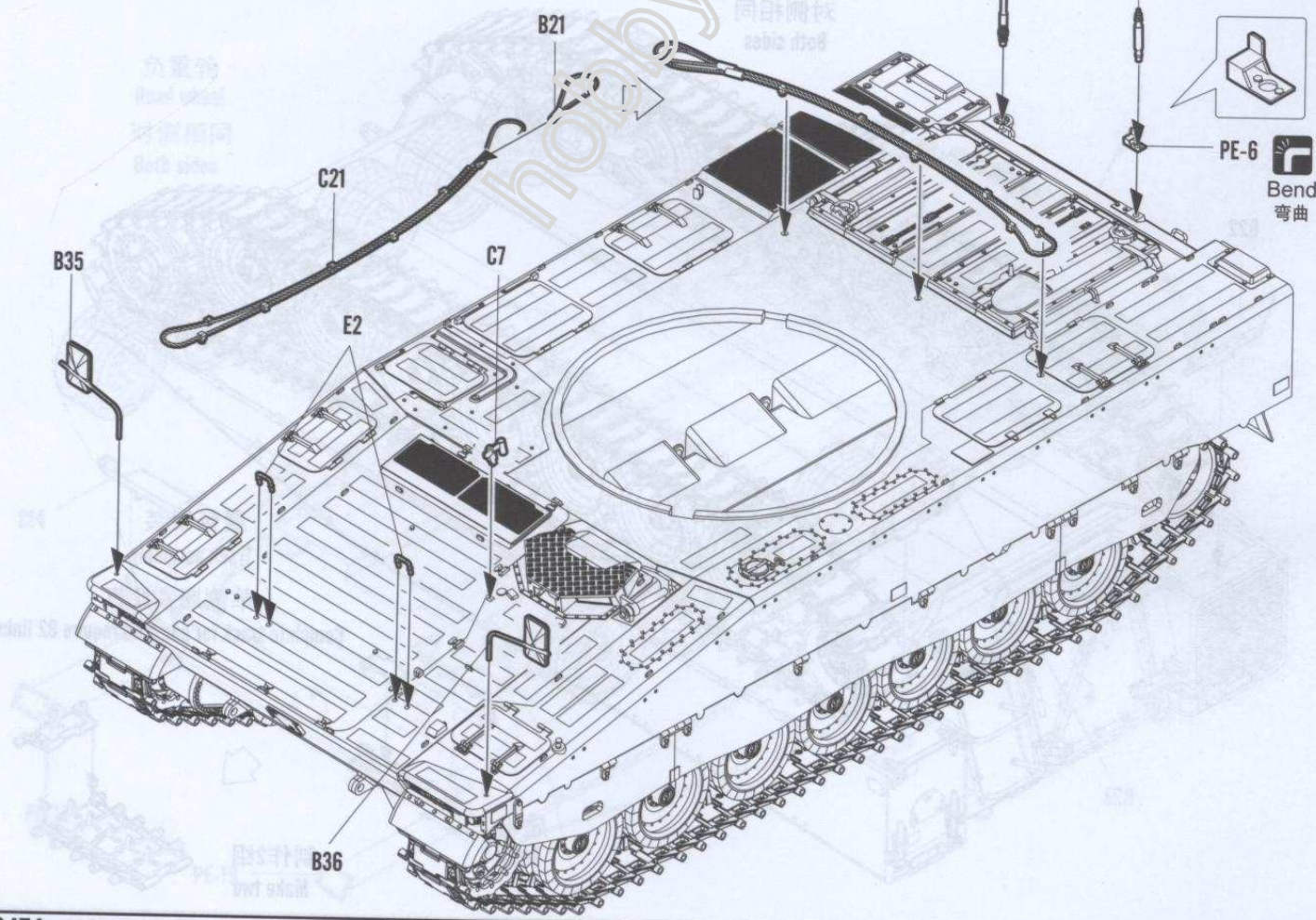
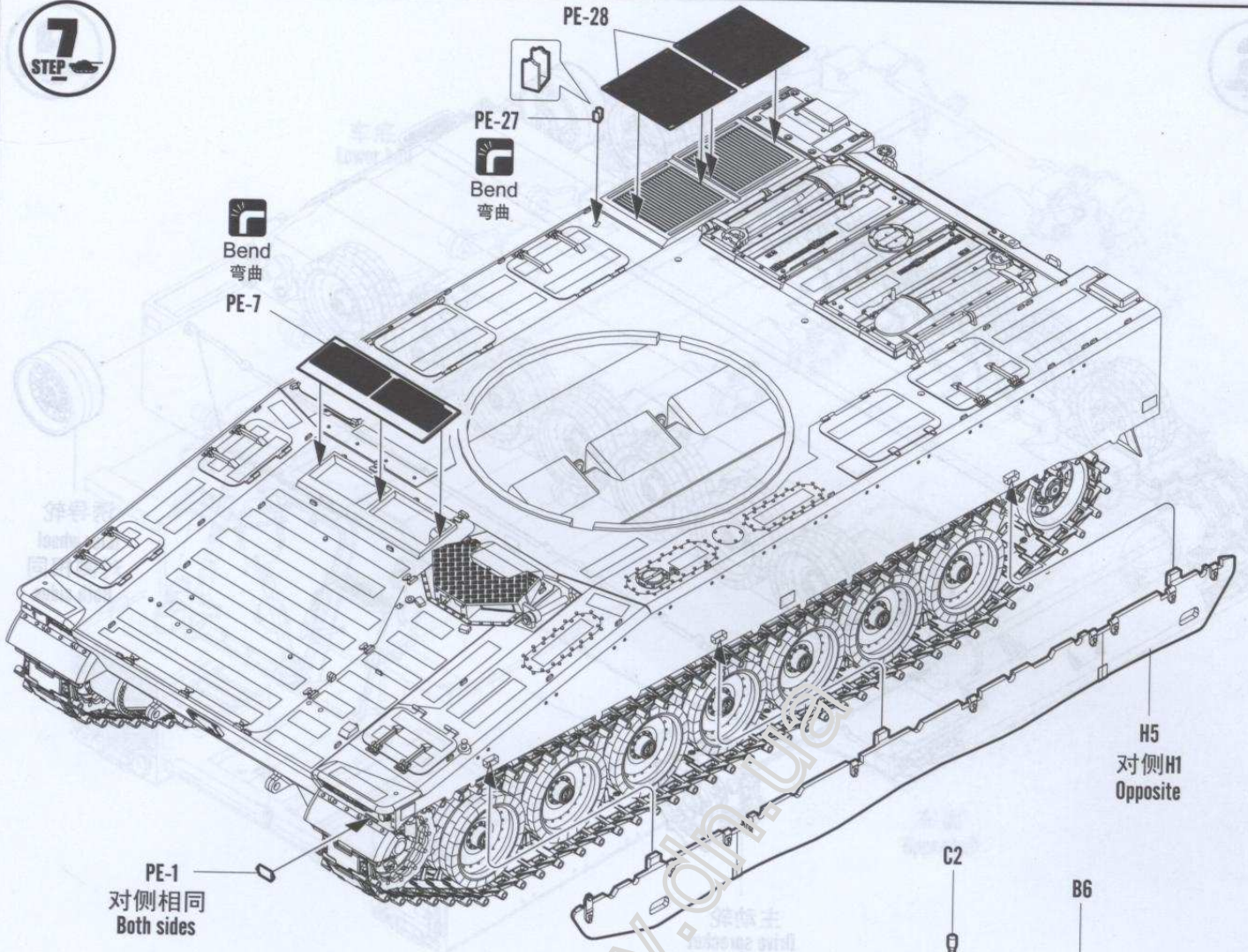
主动轮  
Drive sprocket  
对侧相同  
Both sides



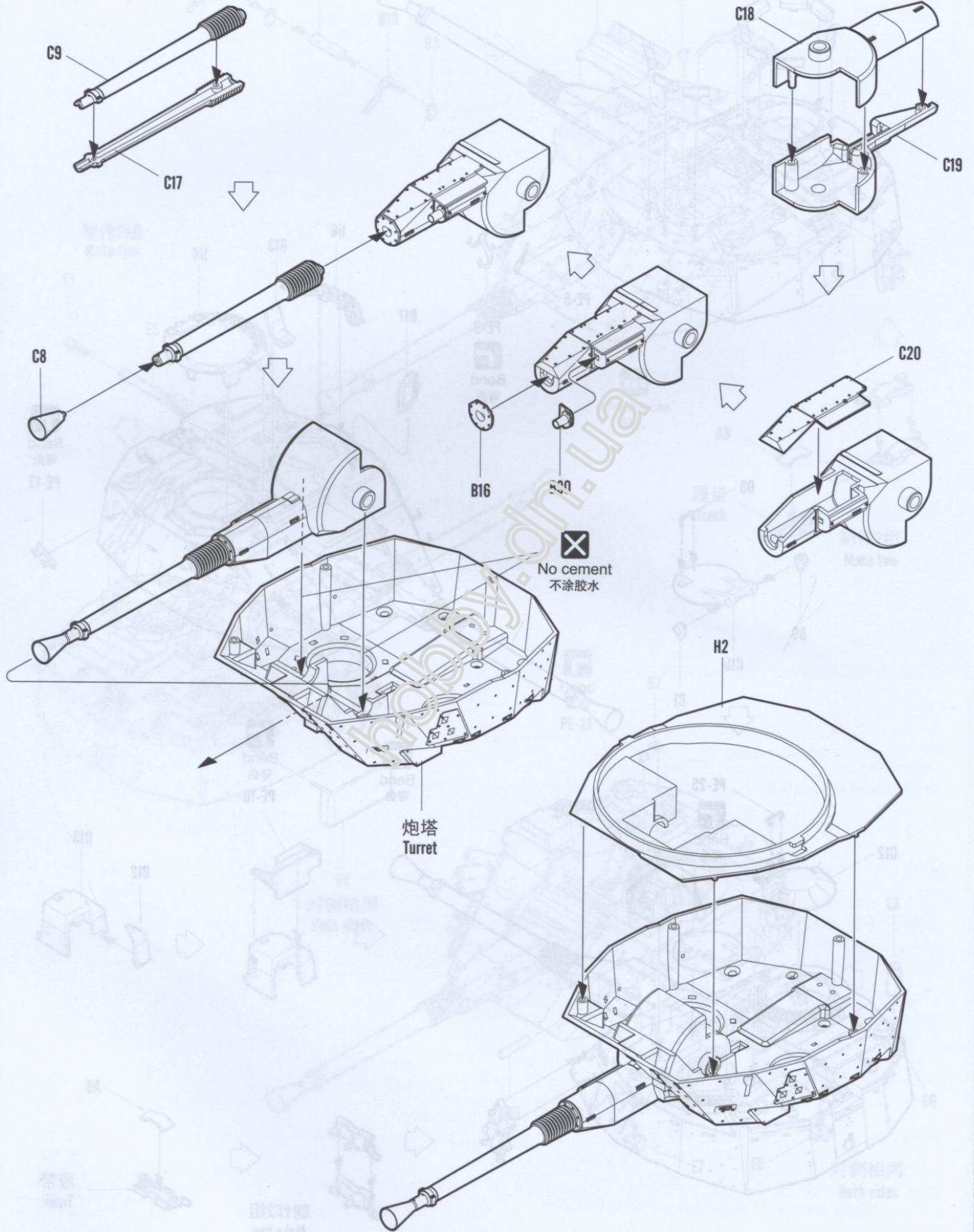
履带组装  
Track assembly  
单侧履需82节  
Complete track for one side require 82 links

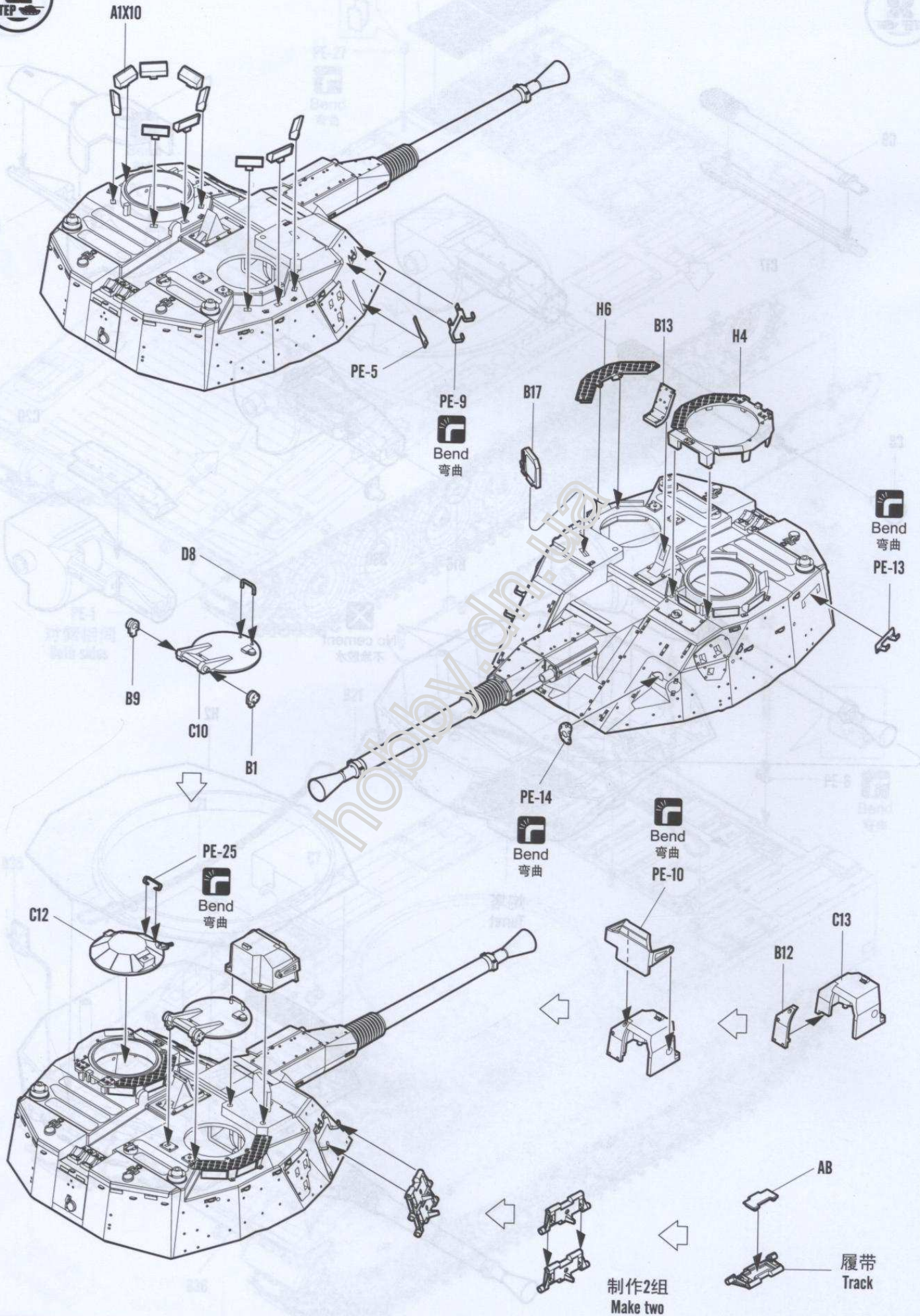
履带  
Track

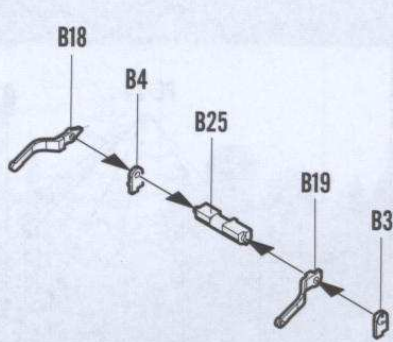
制作2组  
Make two





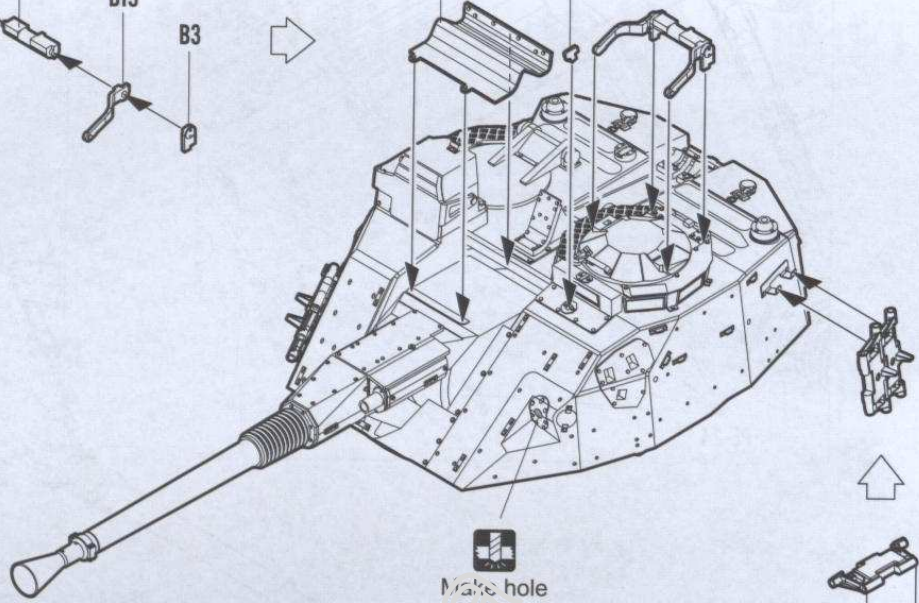




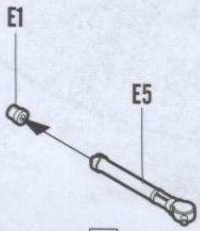


Bend  
弯曲  
PE-23

B8



制作2组  
Make two

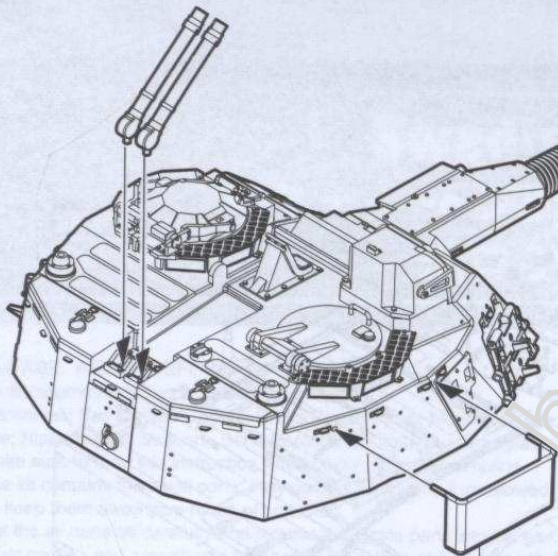


Make hole  
钻孔

AB

履带  
Track

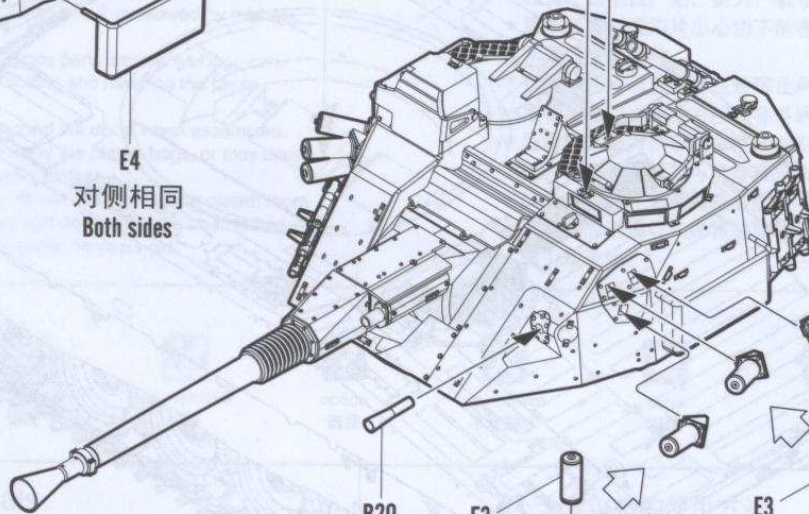
制作2组  
Make two



E4  
对侧相同  
Both sides

Bend  
弯曲  
PE-21

B7



E3

B20

E3

E3

E6

E7

E8

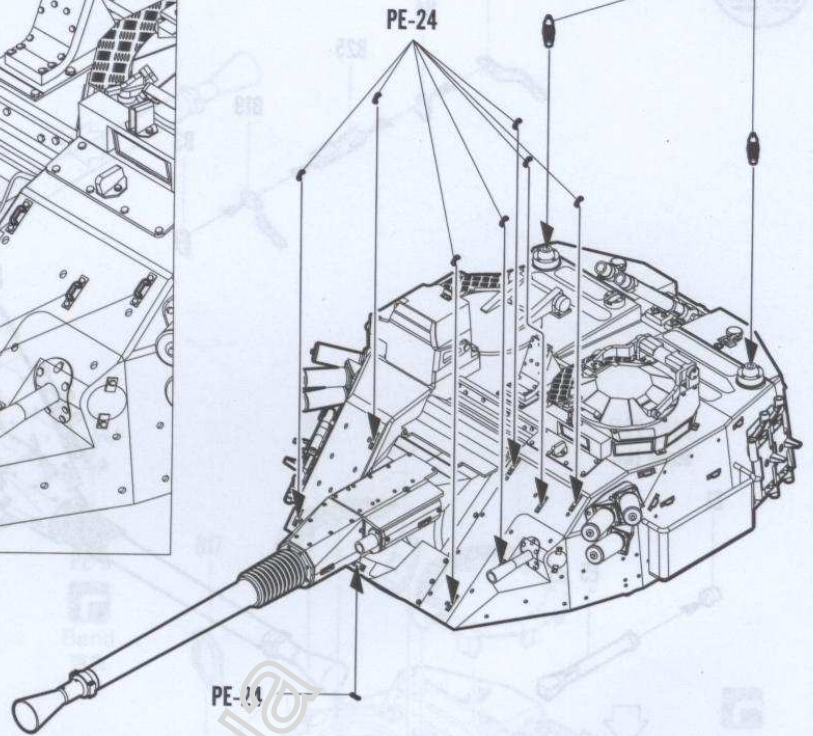
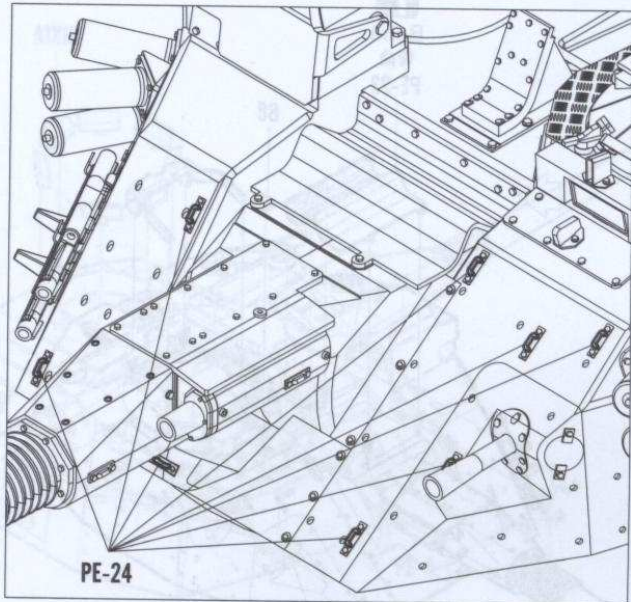
对侧相同  
Both sides

The method to apply the decal

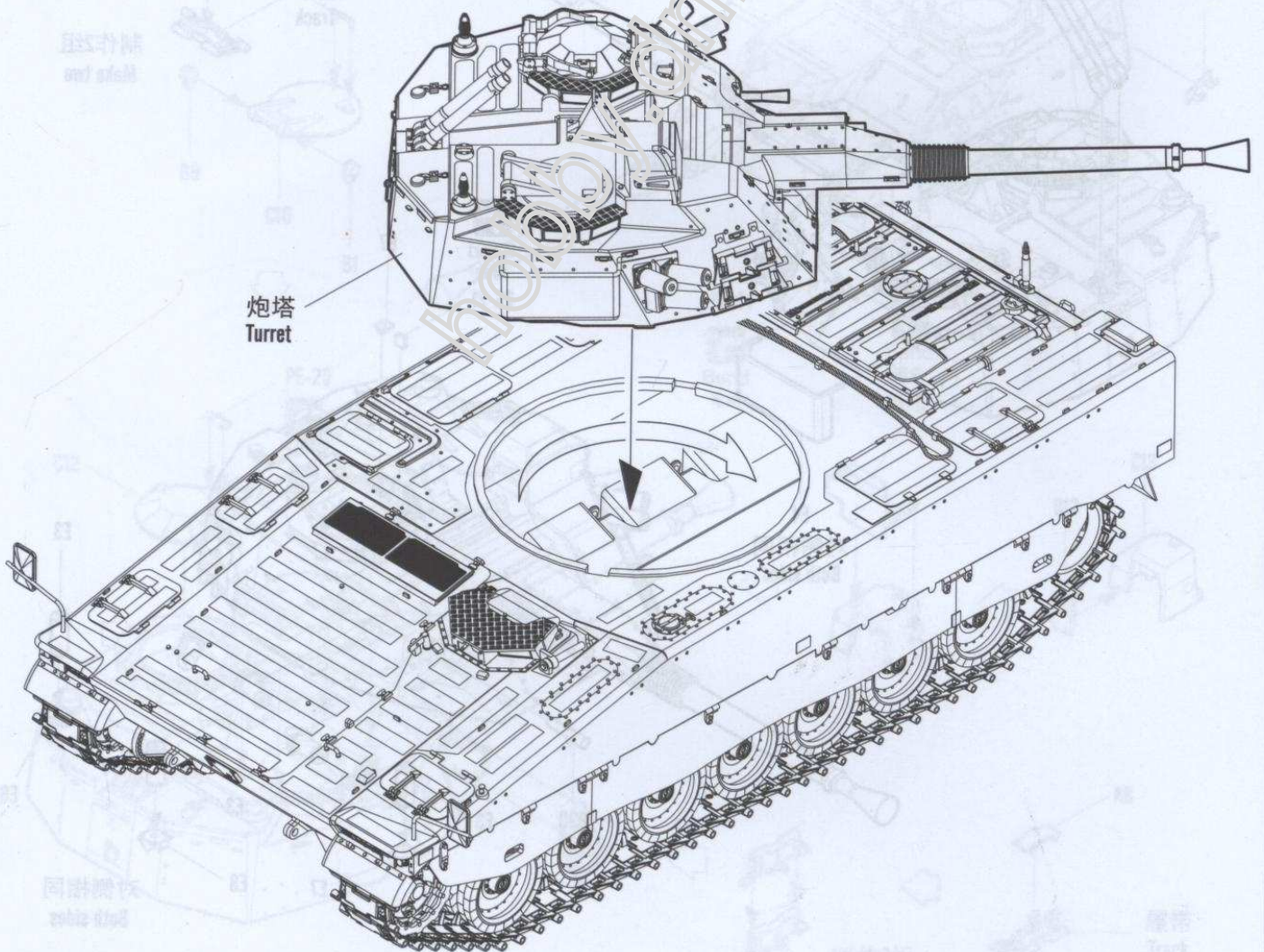
1. Cut off the decal from the oval sticker and put it into the water with the back side up.  
2. Dip the decal in the water and push on a piece of clean cloth.  
3. Rubbing the decal with the finger to the target part as it is a wet finger.  
4. Using a brush to brush off the excess ink from the decal and it getting dry.  
5. Do not rub the decal.

11  
STEP

D16



炮塔  
Turret



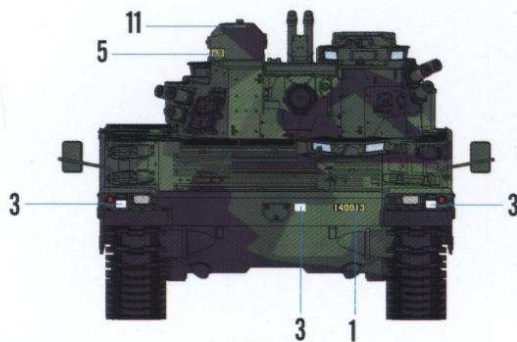
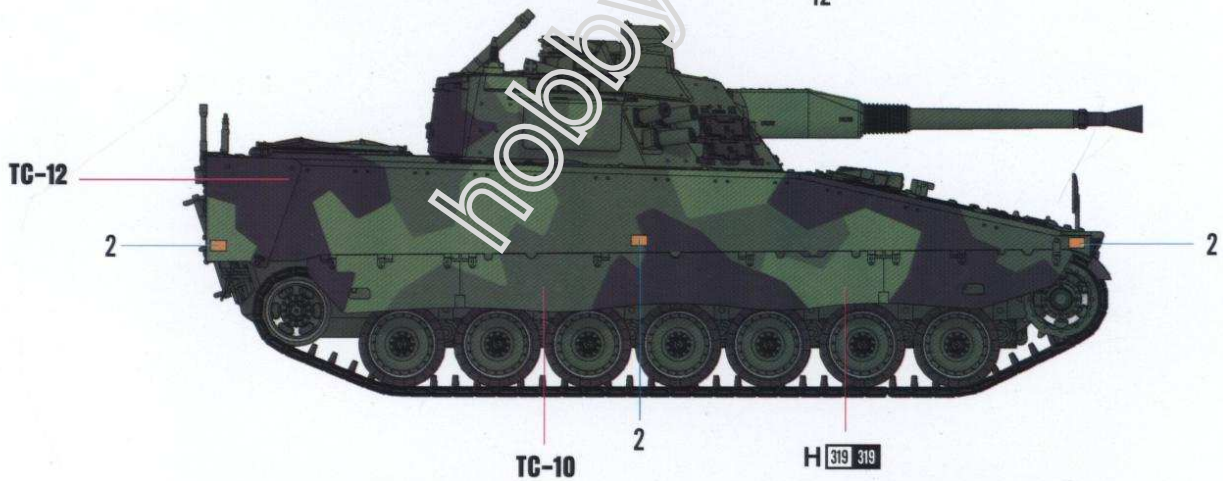
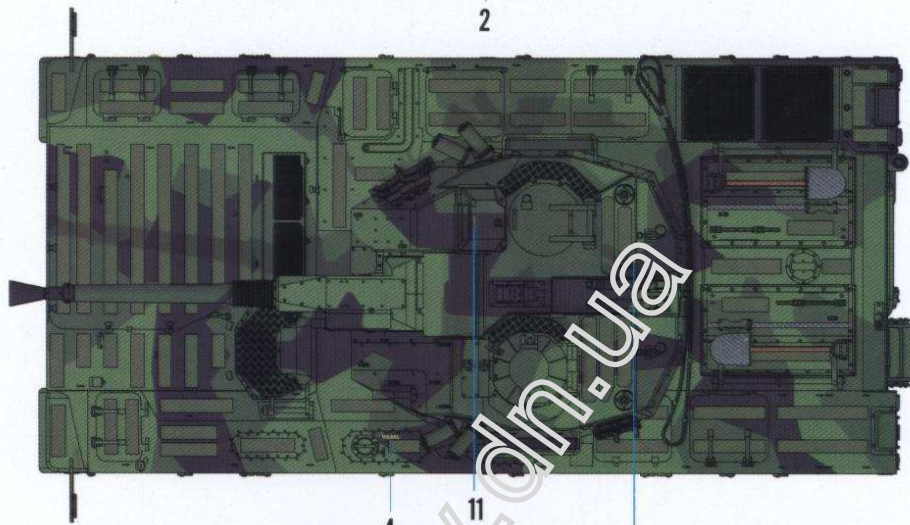
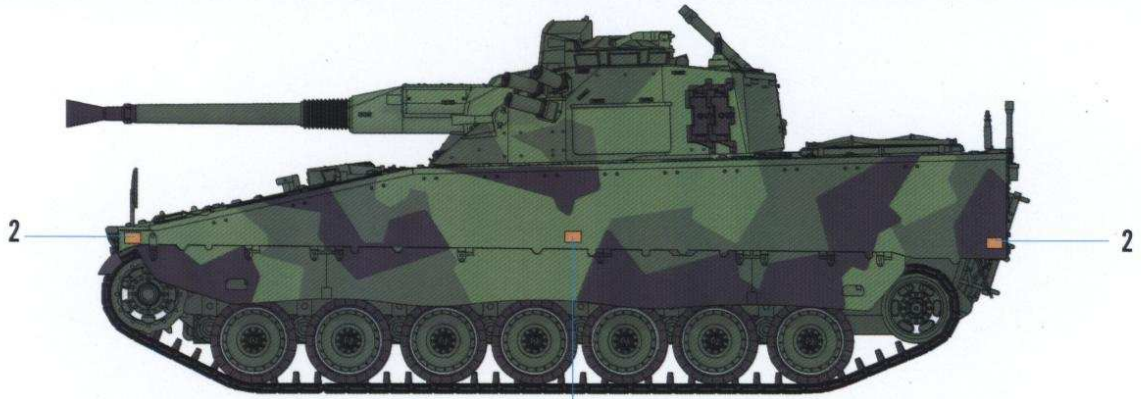
标贴与涂装

MARKING & PAINTING

# Swedish CV90-40 IFV

スウェーデン陸軍 CV90-40 歩兵戦闘車

瑞典CV90-40步兵战车



H 319 319

TC-10

TC-12

NO.:82474

Light Green

NATO Green

NATO Black

※ Some paints may not be available in your country. Please check your local hobby shop for substitute