

1:35 Scale

ITEM No.:82483



PLA ZBD-05 Amphibious IFV

中国陆军05式水陆两用步兵战车

中国ZBD-05两栖装甲步兵战车

PLEASE READ BEFORE OPERATION!

- * Tools recommended as below: (Not included)
Adhesives; Paints; Side Cutters; Sharp Edged Pliers; Modeling Knife; Modeling File; Nippers; Drill; Scissors; Sand Paper; Soft Cloth; Cyanoacrylate Glue.
- * Make sure to read this instruction listed below before assembling.
- * The kit contains the small parts, they can be dangerous if swallowed by mistake, so keep them away from reach of children.
- * Cut the all parts off carefully and remove the waste parts into the garbage can.
- * More caution and care should be needed for cutting and handling the photo etched parts.
- * Make attention that some parts should be attached the decal when assembled.
- * During assembling, please tear up and throw away the plastic bags, or may cause the dangerous if wearing over head by children's mistake.
- * When using the adhesives and paints, please do not use them in the closed room or near the fire, also must be very careful to protect your eyes, face and clothes.
- * Adult supervised when assembled by children under 14 years old.

装配前请仔细阅读:

- * 推荐使用的模型工具(请自备):
专用模型胶水, 专用模型油漆, 水口剪刀, 长咀钳, 刀片, 锉刀, 镊子钳, 钻, 剪刀, 软布, 砂纸, 瞬间快干胶等。
- * 用水口剪刀或刀片小心切下所有塑胶零件和蚀刻片零件, 不要遗失小零件。
- * 切取蚀刻片时应特别注意防止利边划伤手指。
- * 用模型锉刀小心锉平所有零件表面的注射浇口。
- * 用适量的强力快干胶水粘合蚀刻片零件和金属轴, 切忌过量, 否则可能导致可动零件被粘住。
- * 注意某些零件表面需在装配时同步贴水上贴纸。
- * 制作时应远离幼儿并将包装袋及时收妥, 谨防小孩玩耍而引起意外。



cyanoacrylate glue
强力胶



weight
配重



make hole
钻孔



cut / remove
切除



option
选择



no cement
不涂胶水



decal
贴纸



bend
弯曲



repair
填补

The method to apply the decals

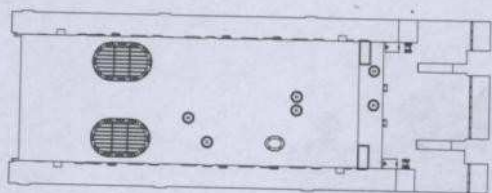
1. Cut off the decal from the decal paper and put it into the warm water 40°C for 10 seconds.
2. Take the decal from the water and put it on a piece of clean cloth.
3. Remove the decal slowly from the paper to the targeted location by a wet finger.
4. Use a piece of dry and soft cloth to press it gently on the decal until it getting dry and no bubble existing.

水贴纸的使用方法:

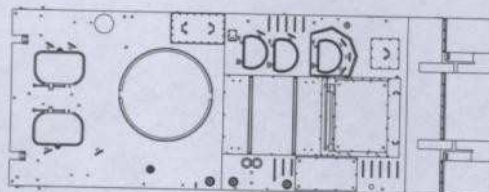
- 一. 把相关的印花从水贴上剪下, 放入40°C左右的温水中浸10秒。
- 二. 然后将印花放在干净的布上。
- 三. 拿上印花纸板, 手指蘸水将印花移到适当的位置。
- 四. 用软干布轻压印花直至水干, 气泡消失。

部品图 Parts

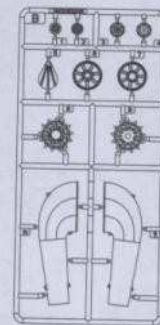
车底
Lower hull



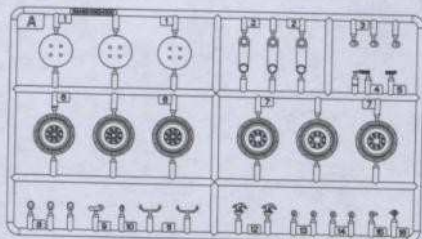
车面
Upper hull



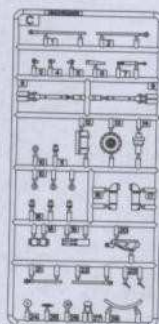
Bx2



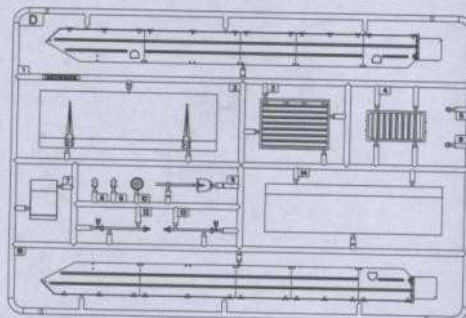
Ax4



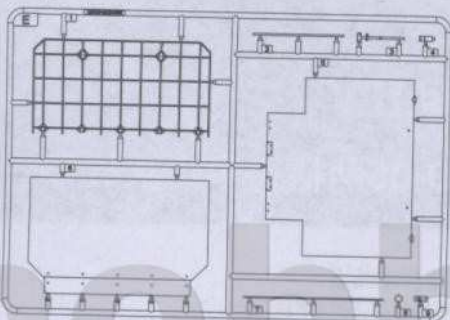
Cx2



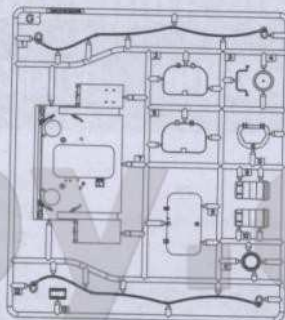
D



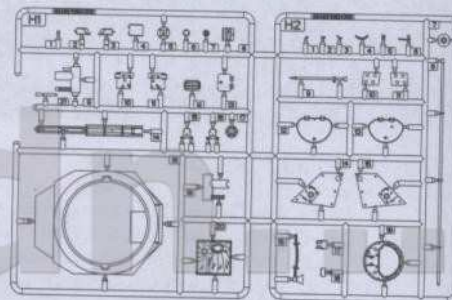
E



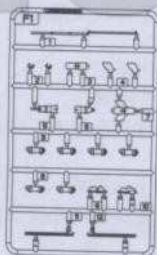
G



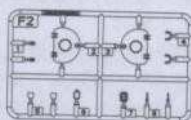
H1/H2



F1x2



F2x2



《铜管b》x2
∅ 3.00x24.00
Steel tube



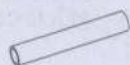
《铜管a》x2
∅ 3.00x16.00
Steel tube



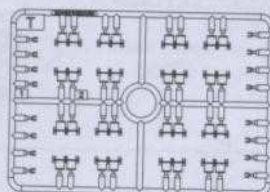
《铜管d》x2
∅ 3.00x27.50
Steel tube



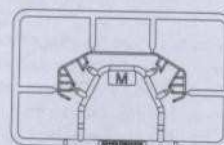
《铜管c》x2
∅ 3.00x17.70
Steel tube



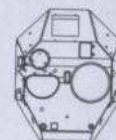
Tx14



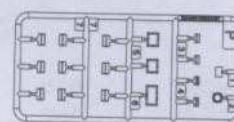
M



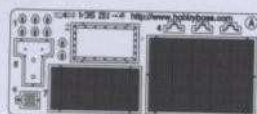
炮塔
Turret



P



《蚀刻片》- A
Photo Etched



《蚀刻片》- B
Photo Etched



《水贴纸》
Decal



不用部件: PE-A2, PE-A6
Unused parts

钻穿图中指示的孔位

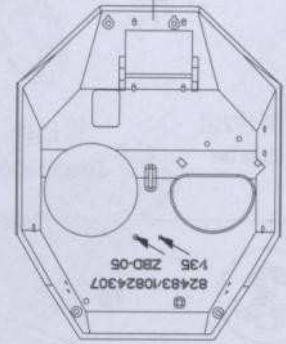
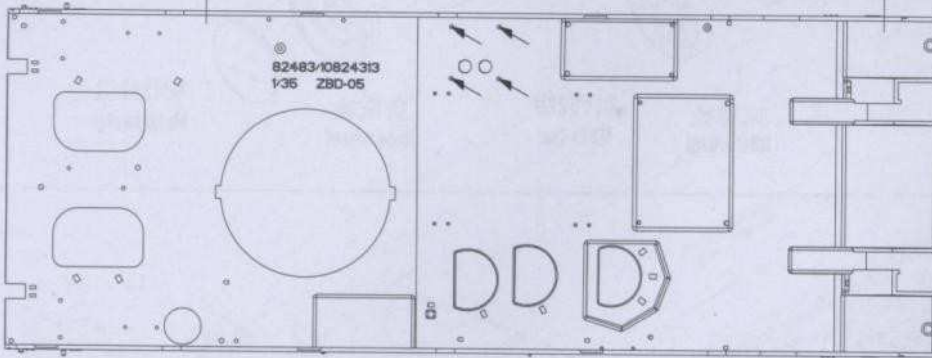
Make holes

? 选择开定位孔, 装配D7, 参考第14步

The hole is optional, assemble D7, refer to step 14 please.

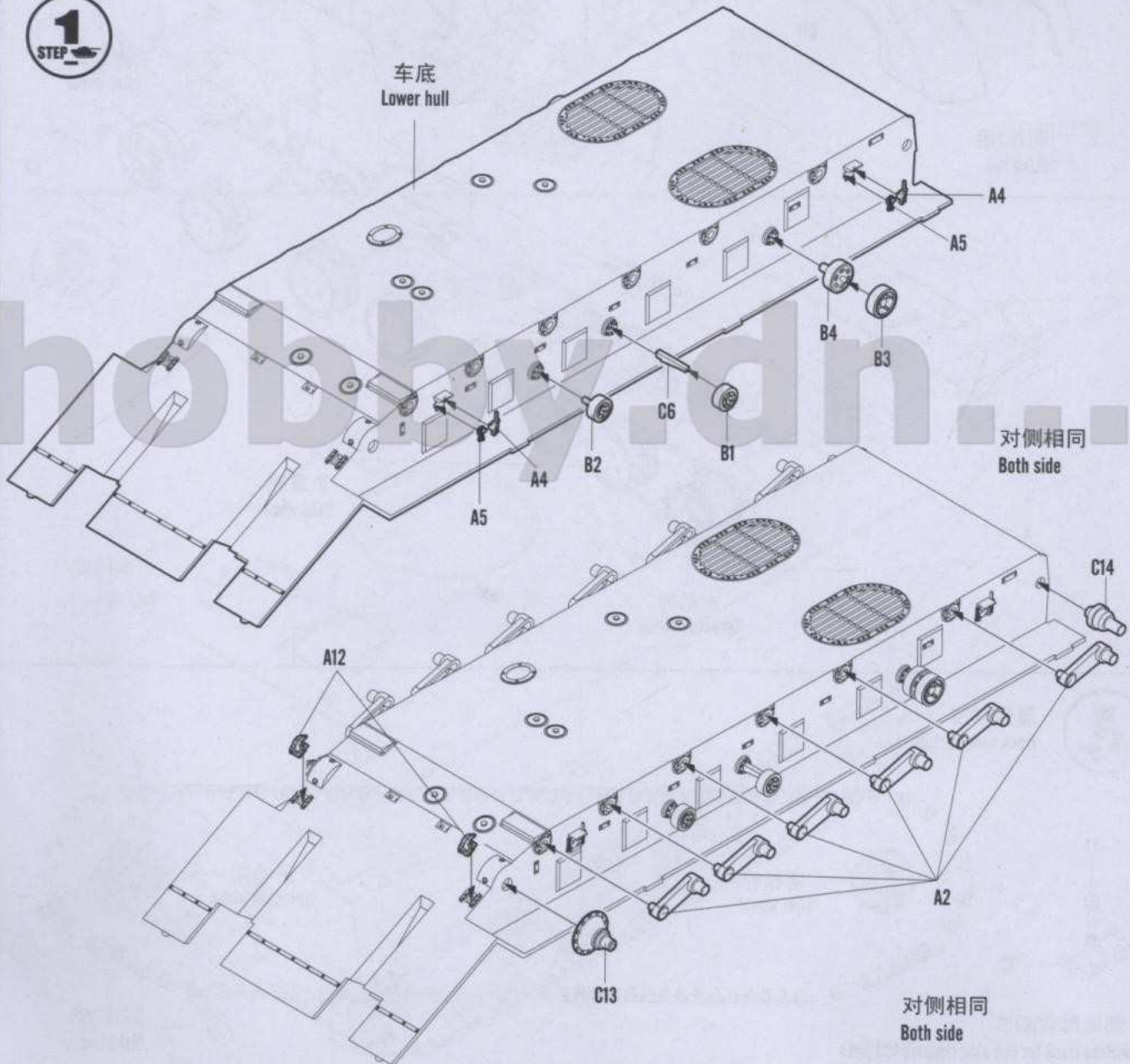
车面
Upper hull

炮塔
Turret

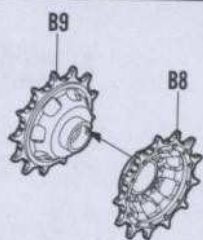


1
STEP

车底
Lower hull

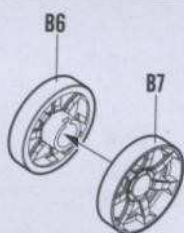


2
STEP



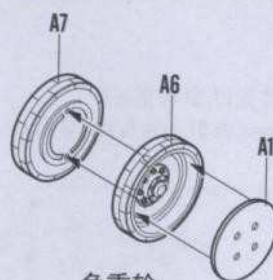
制作2组
Make two

主动轮
Sprocket wheel



诱导轮
Idler wheel

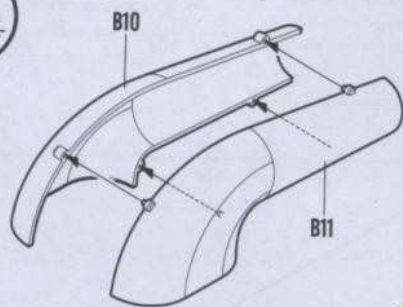
制作2组
Make two



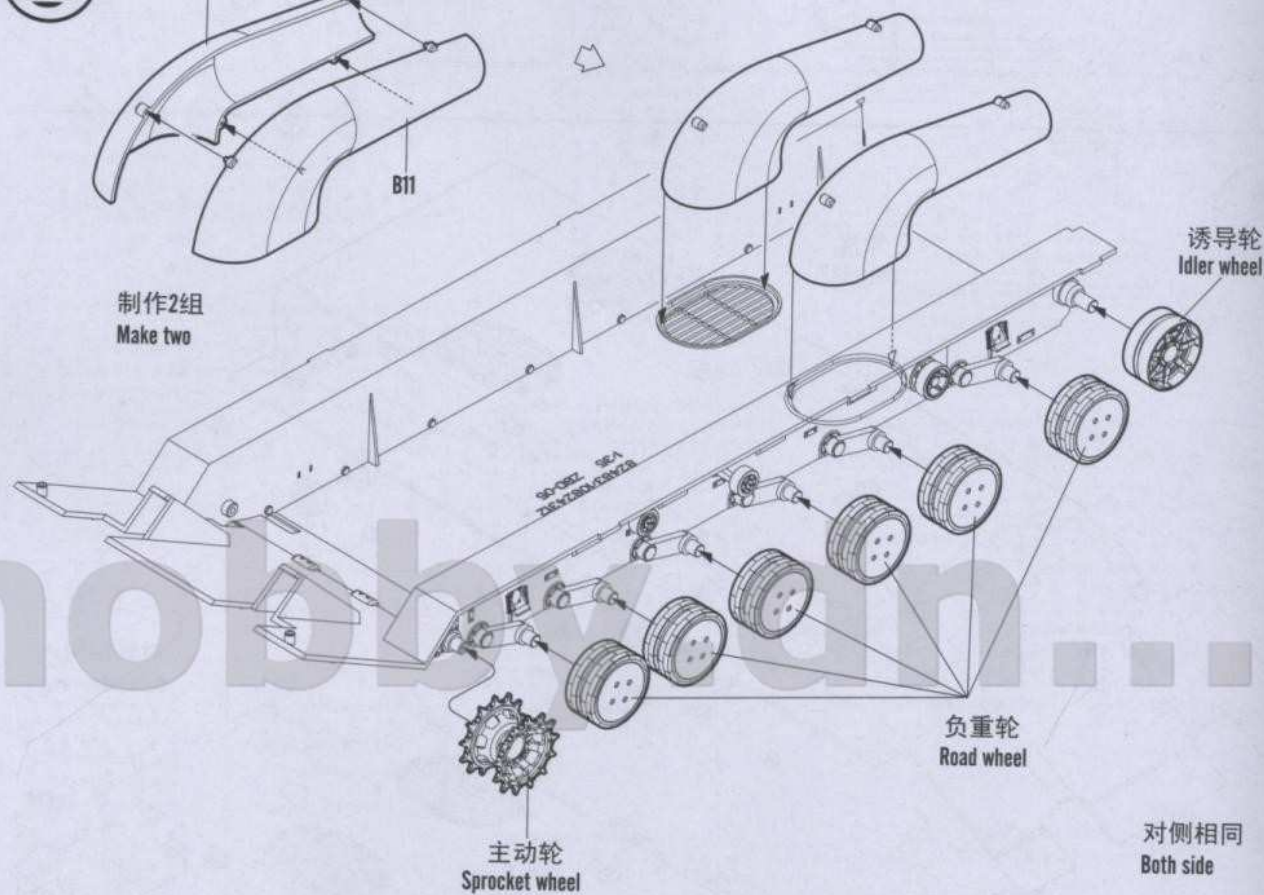
负重轮
Road wheel

制作12组
Make twelve

3
STEP



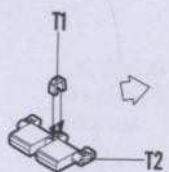
制作2组
Make two



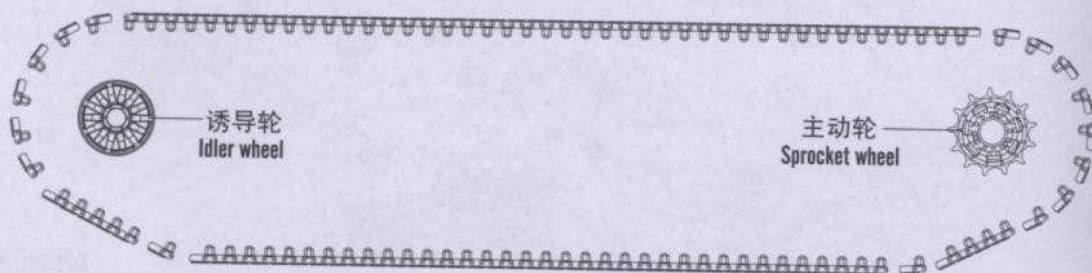
对侧相同
Both side

A
STEP

履带联接
Track construction

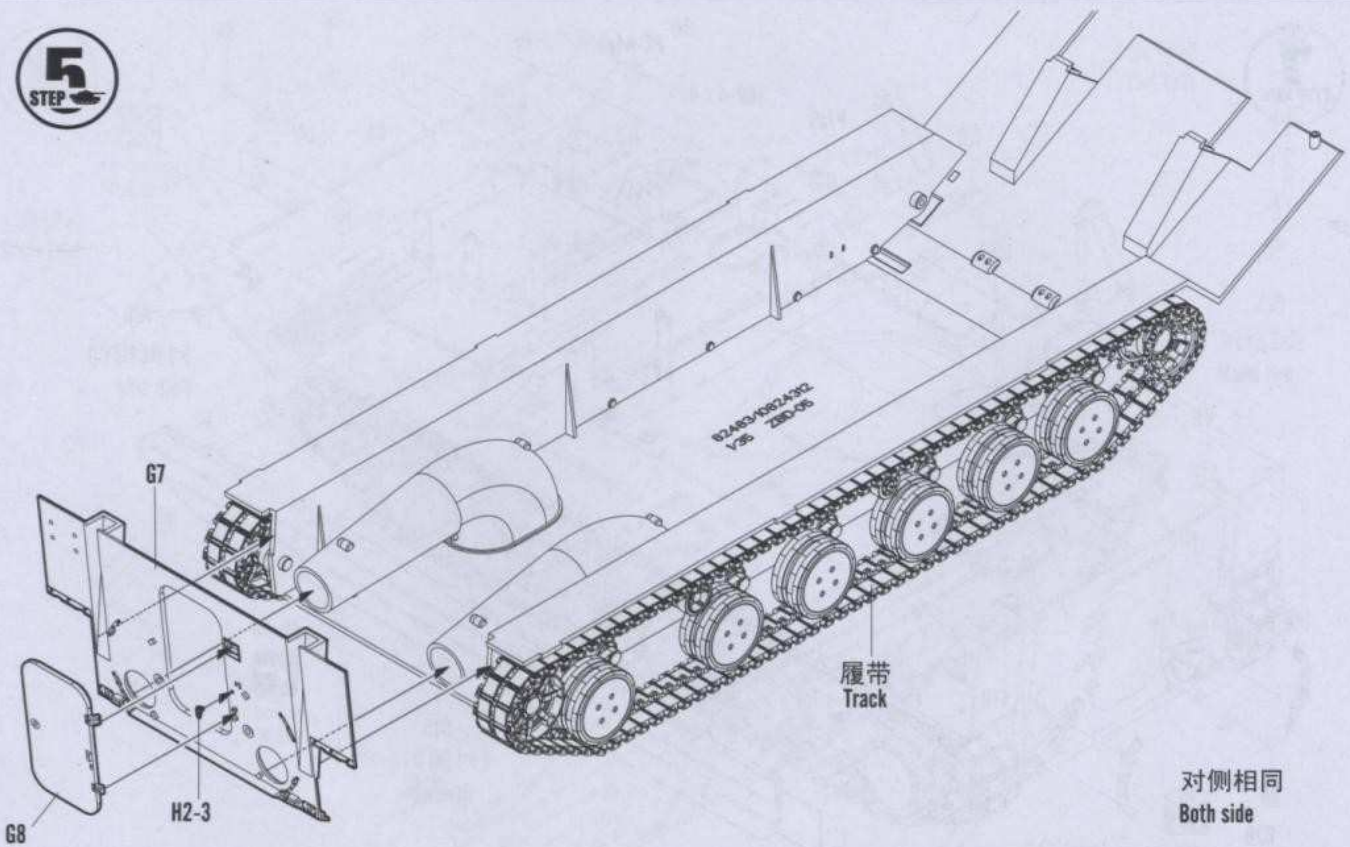


单侧履带需103节
Complete track for one side requirse 103 links

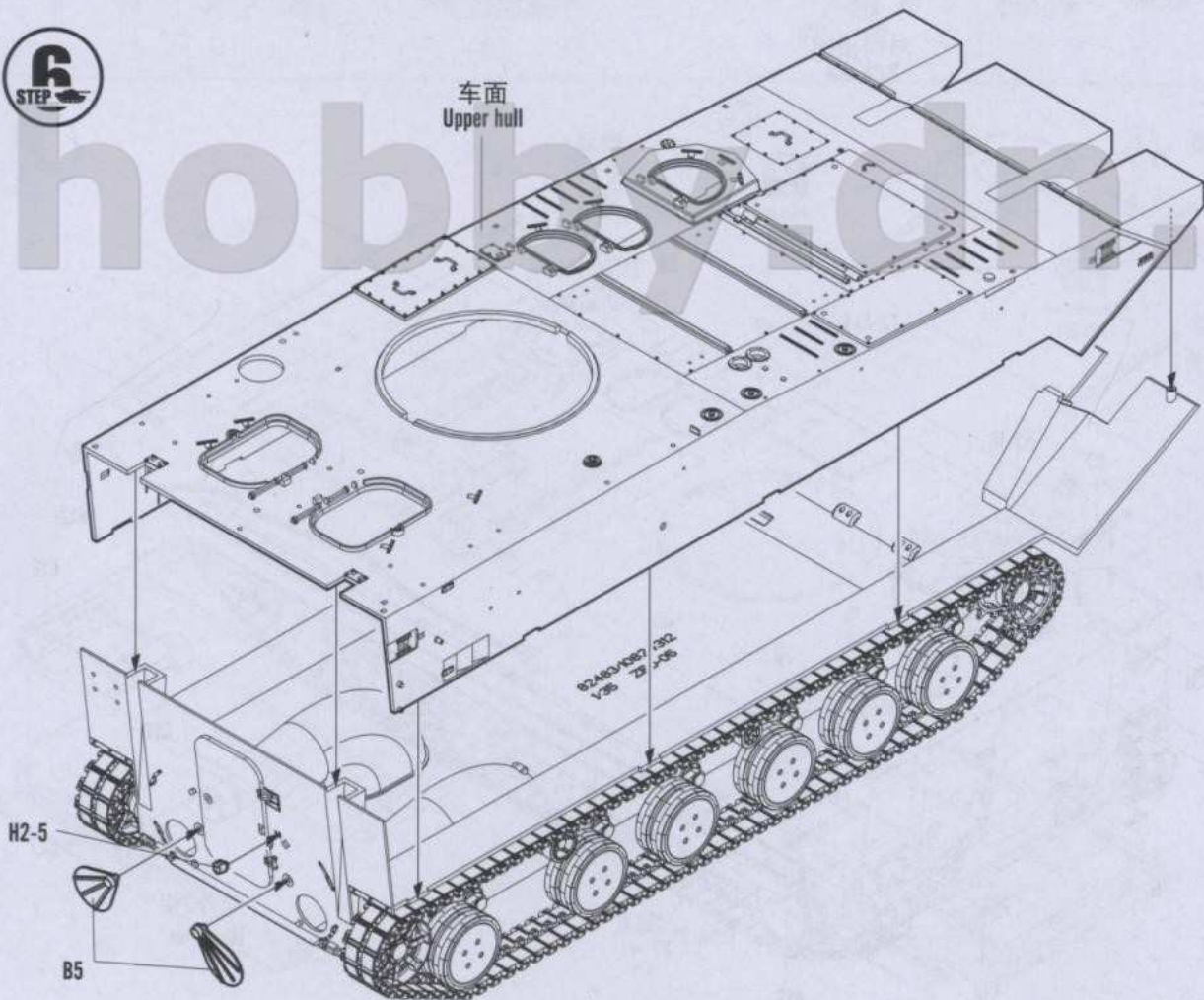


制作2组
Make two

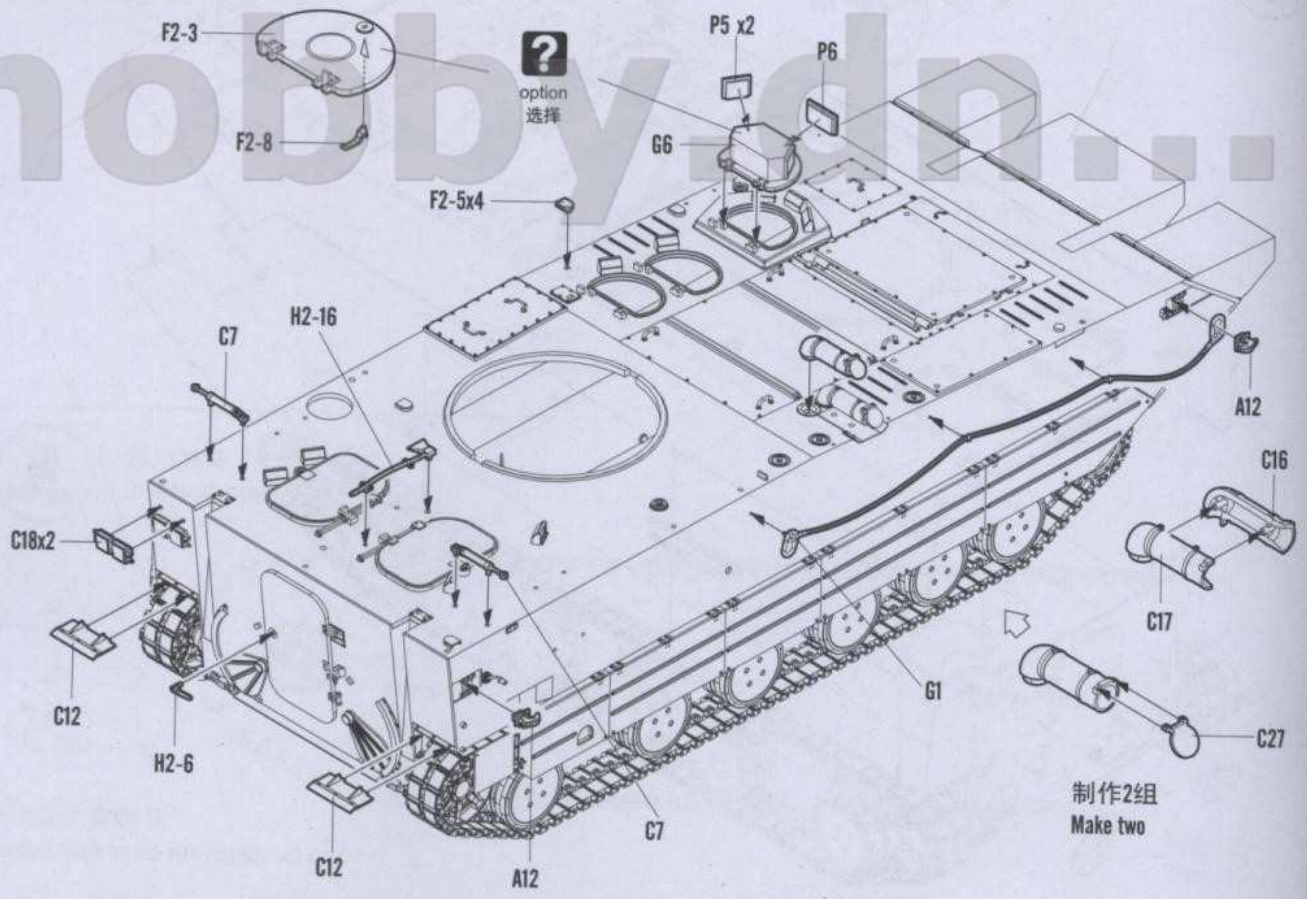
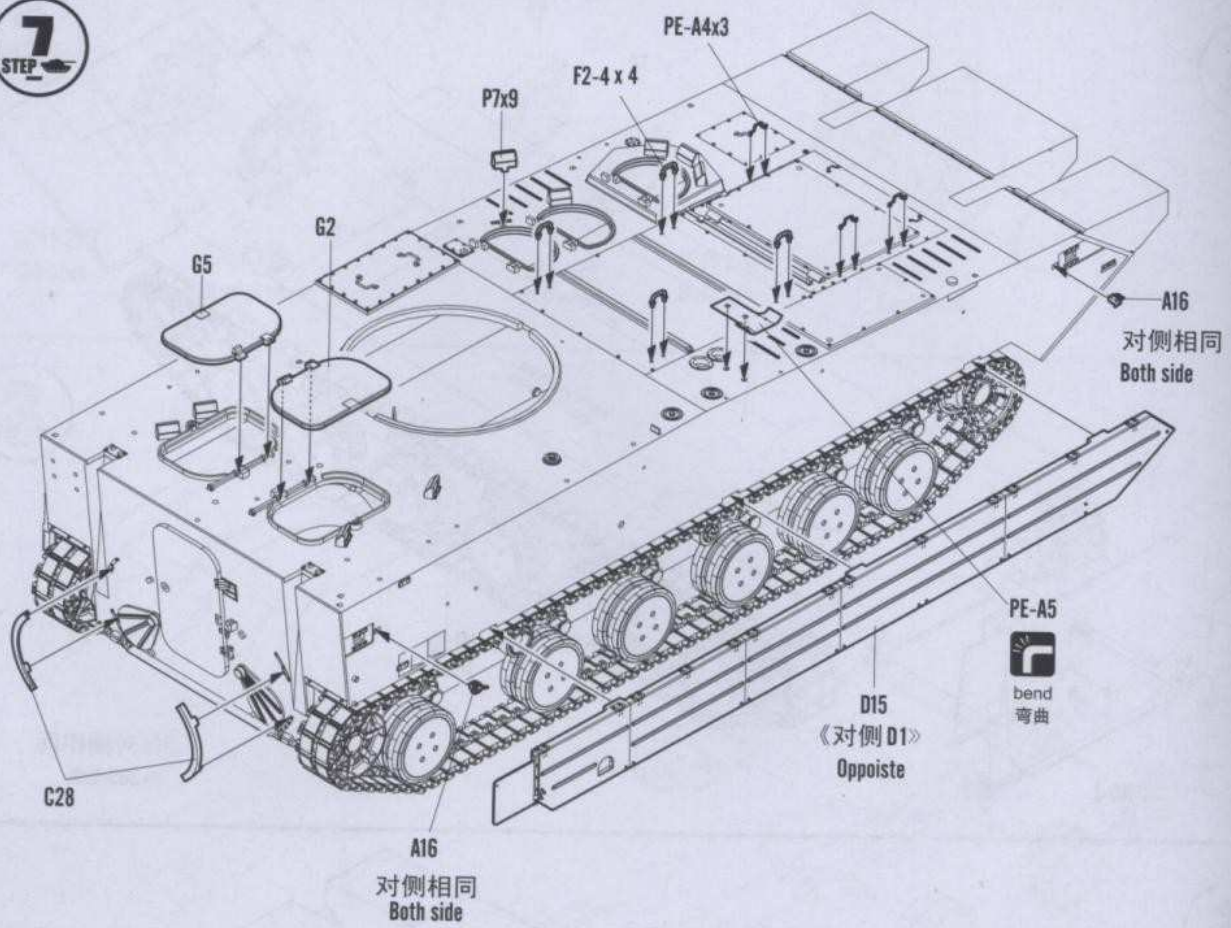
5
STEP

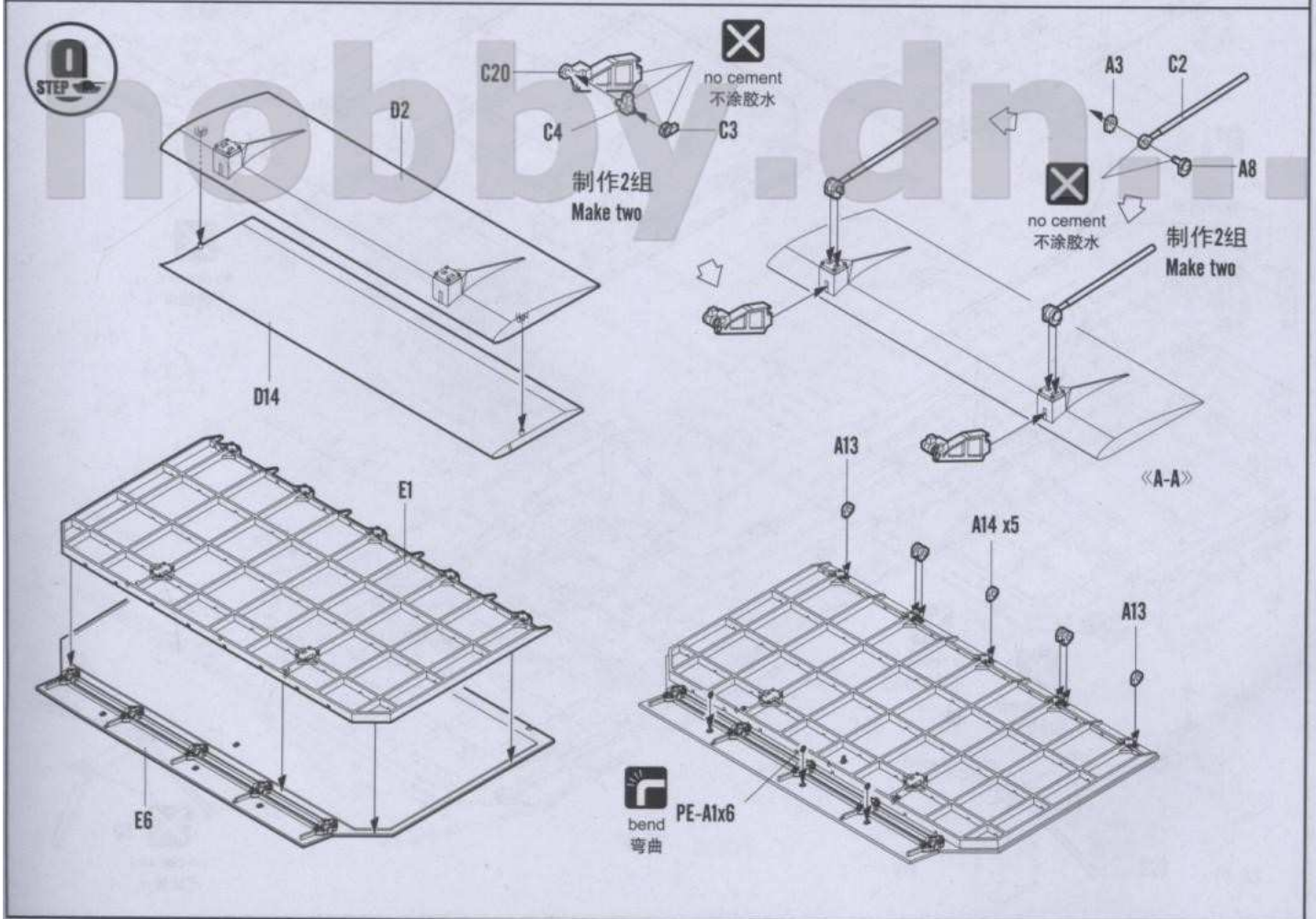
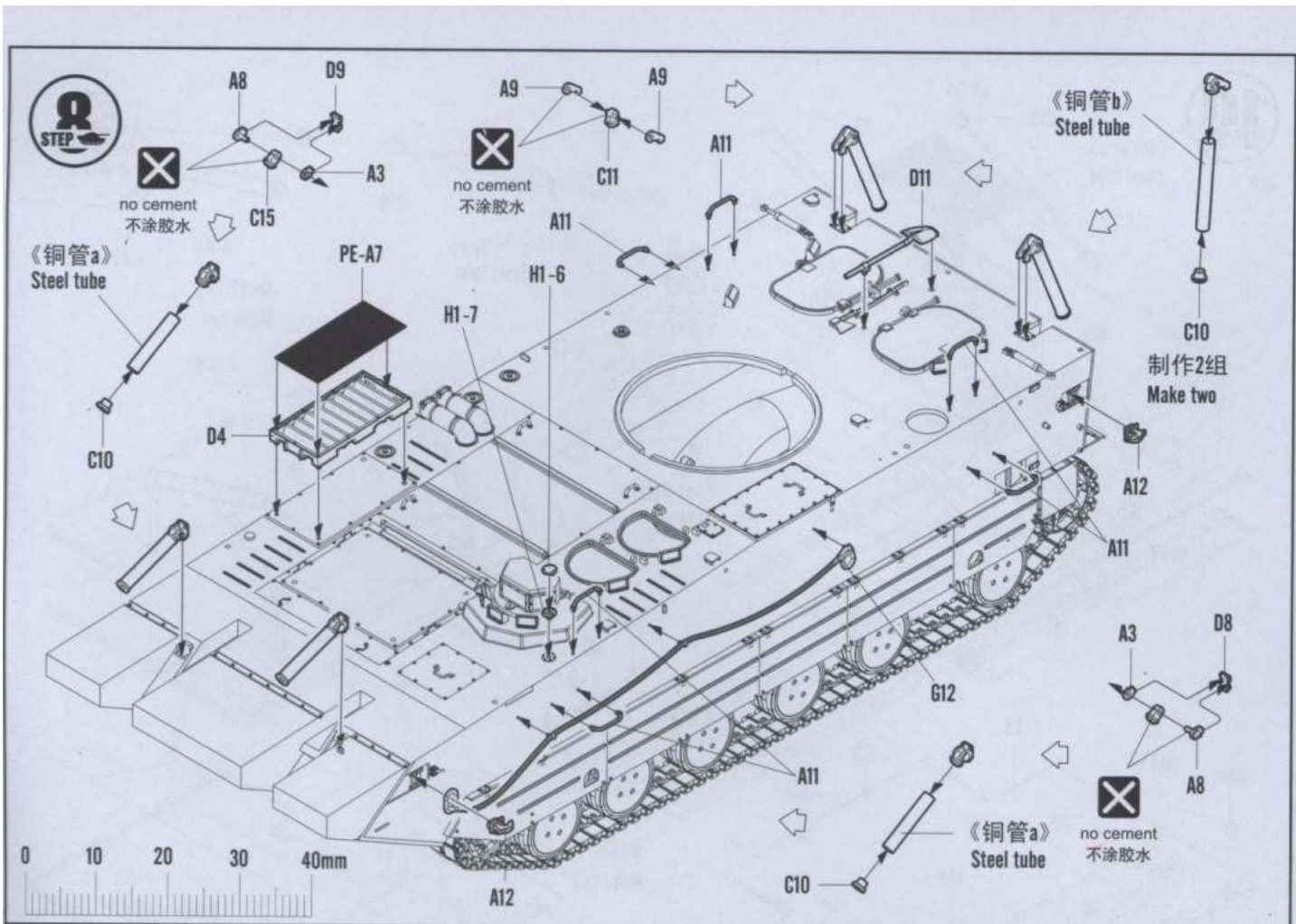


6
STEP



7
STEP





10
STEP

《铜管c》
Steel tube

C10

A3



no cement
不涂胶水

《c-c》
制作2组
Make two

C10

《铜管d》
Steel tube

C15



no cement
不涂胶水

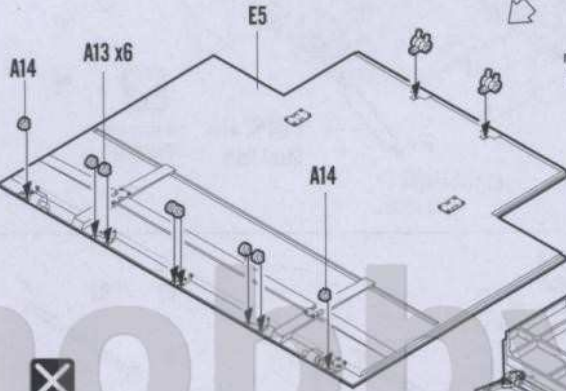
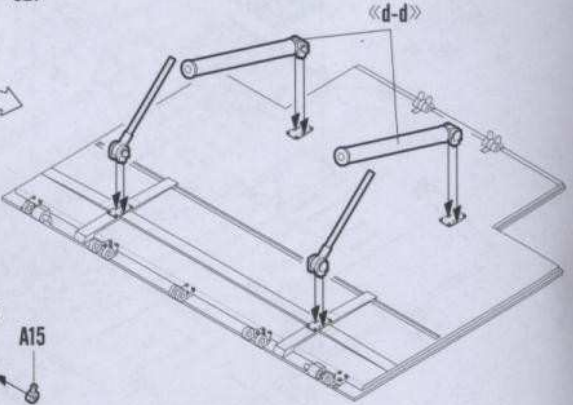
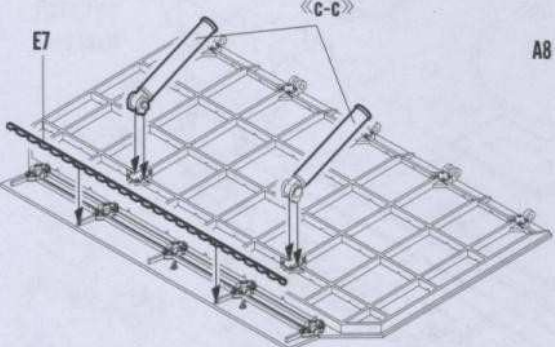
A8
A3
制作2组
Make two

A8



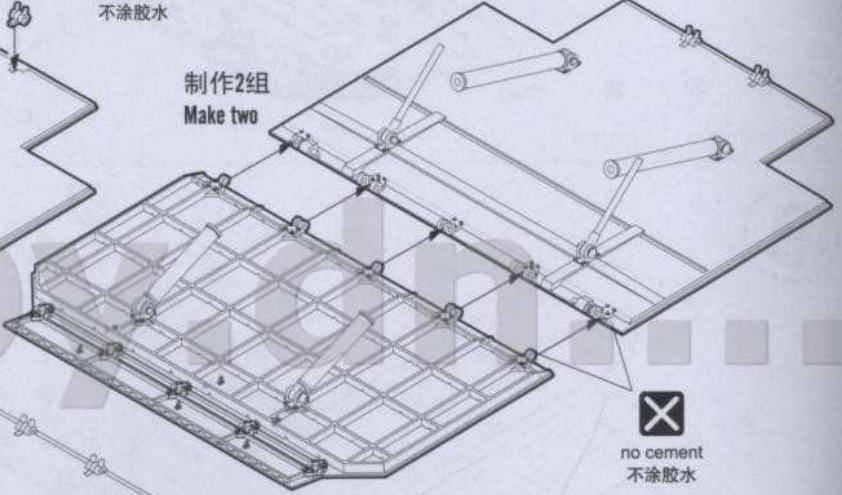
no cement
不涂胶水

《d-d》
制作2组
Make two



no cement
不涂胶水

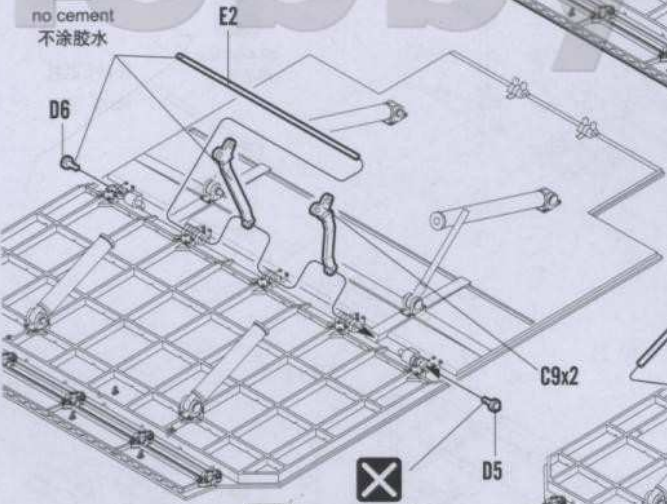
制作2组
Make two



no cement
不涂胶水



no cement
不涂胶水



no cement
不涂胶水

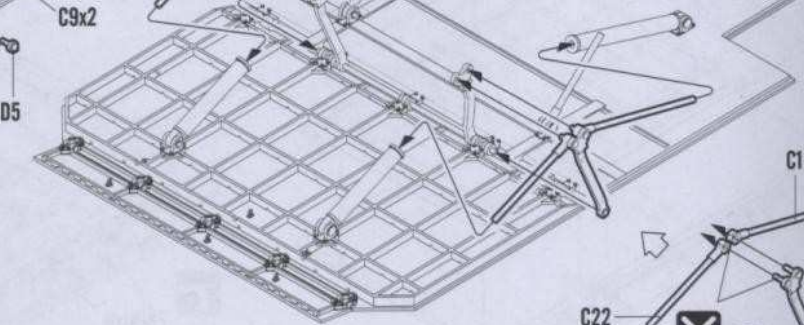
no cement
不涂胶水

C8

C22



C9x2



《B-B》

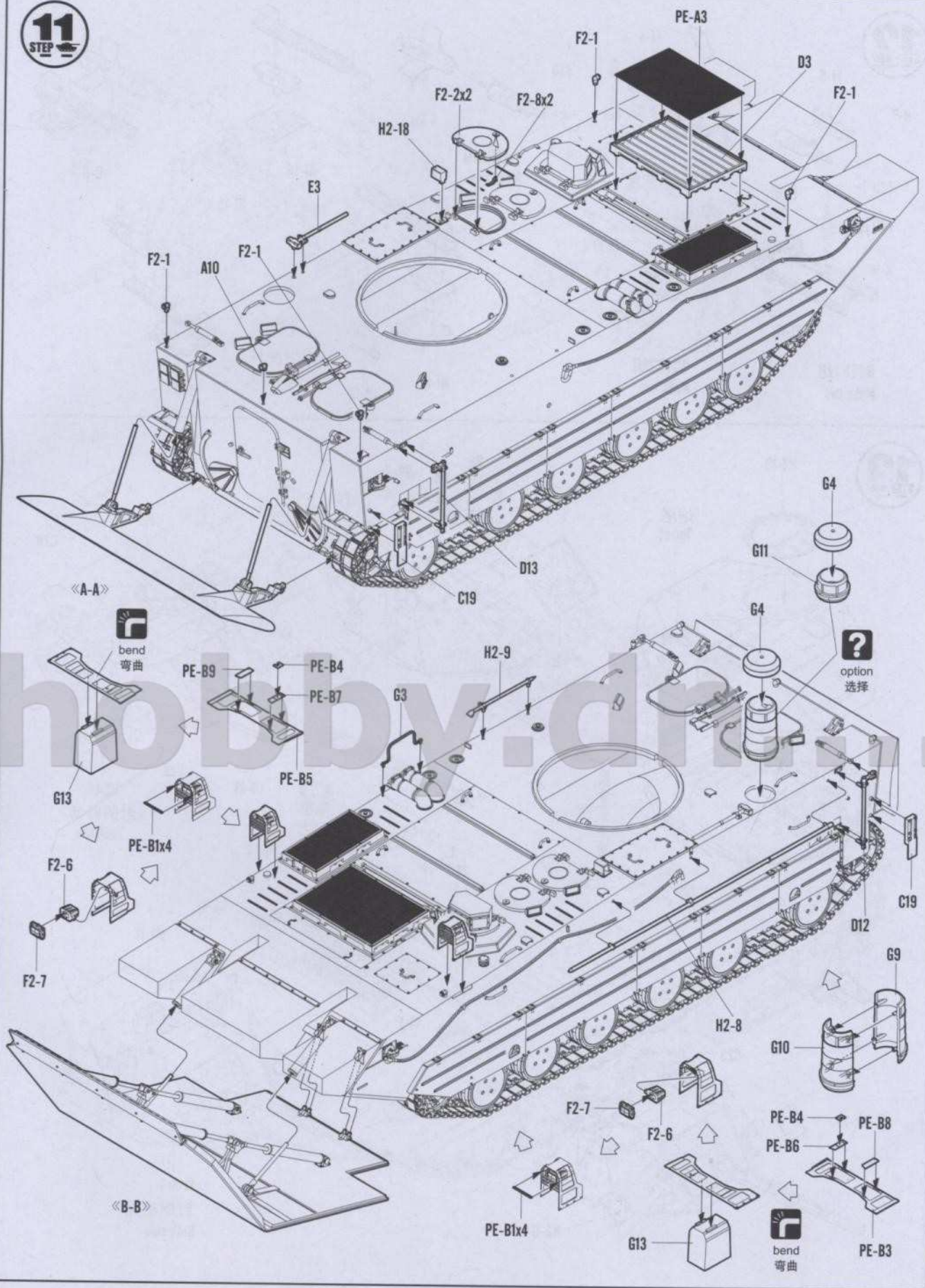
C22

C8



no cement
不涂胶水

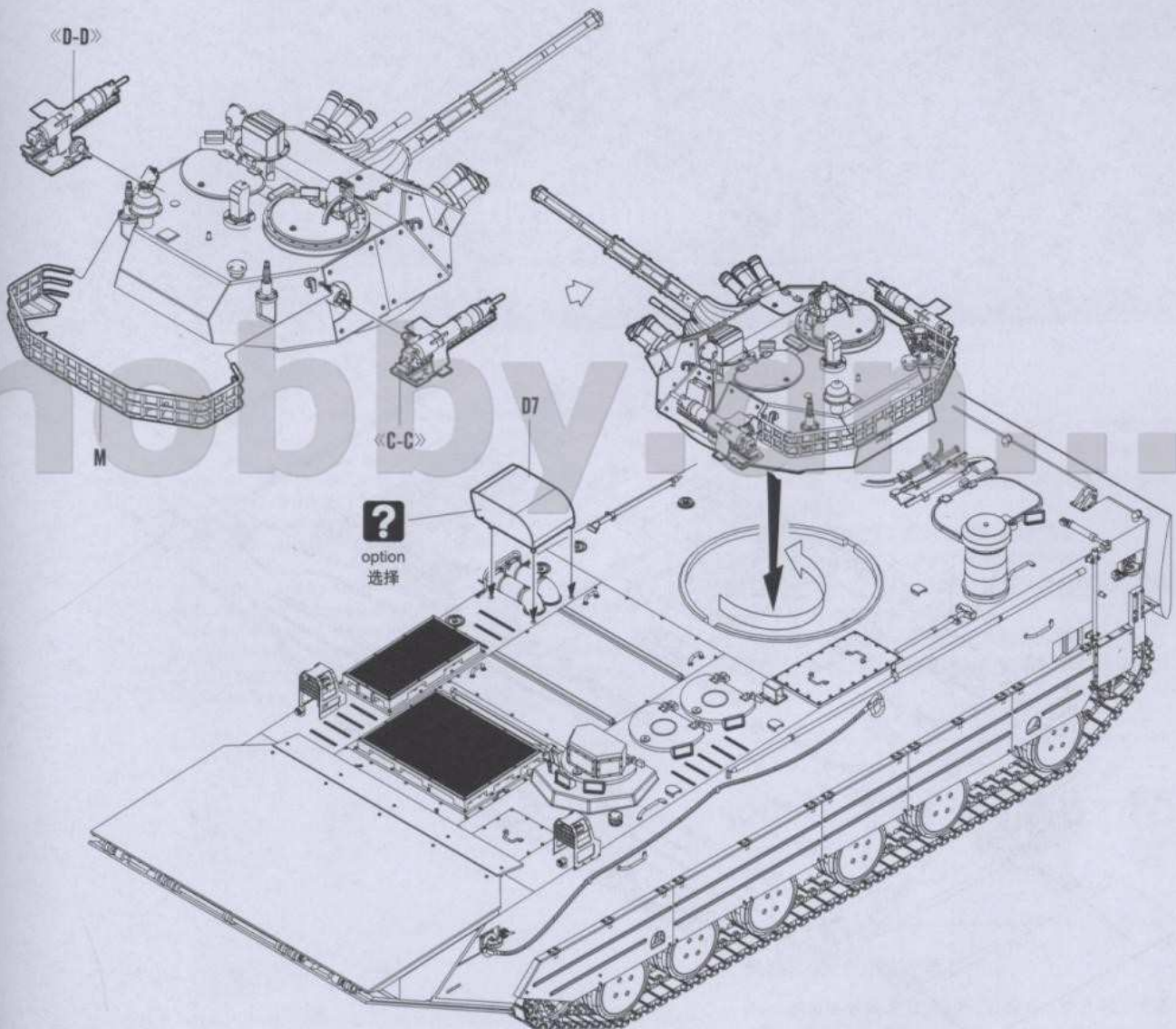
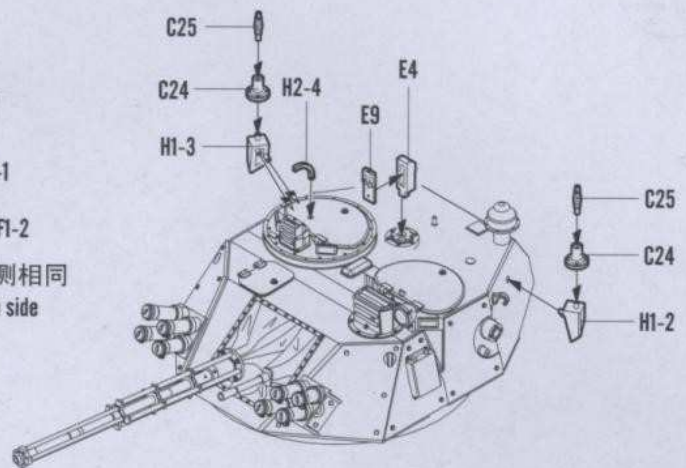
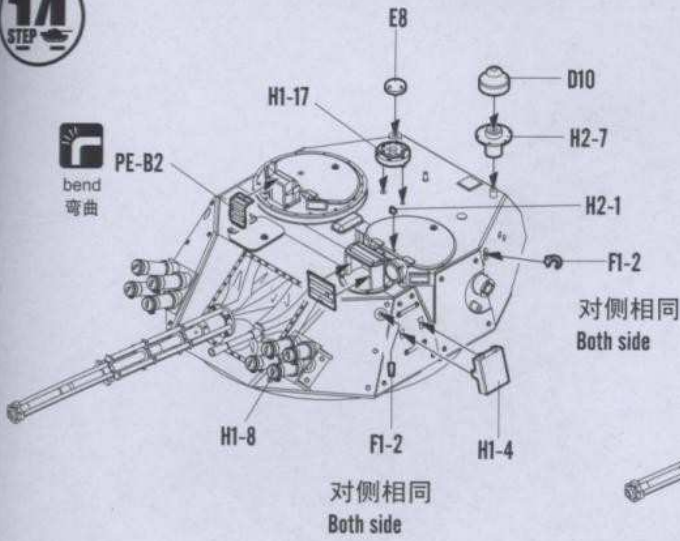
11
STEP



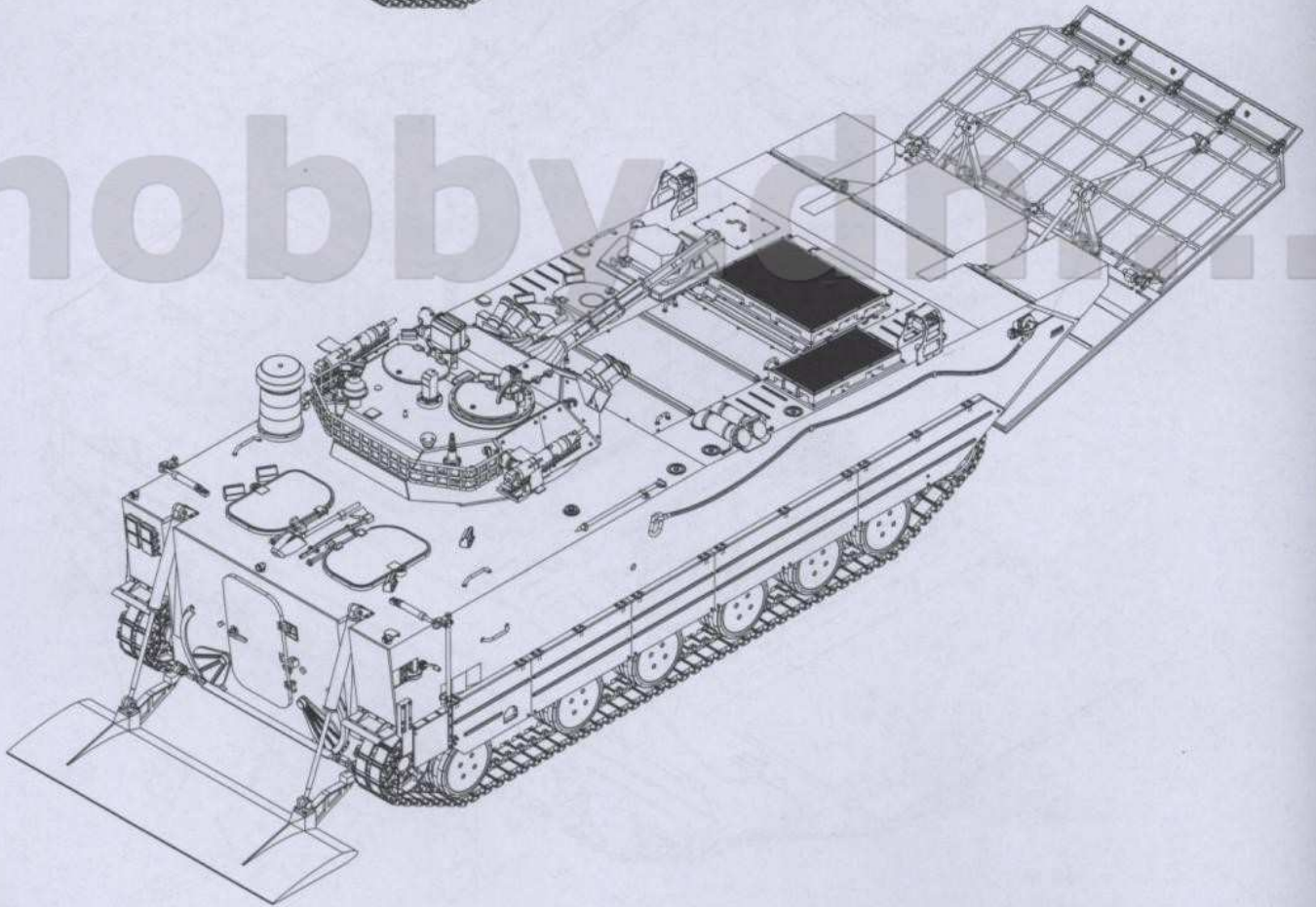
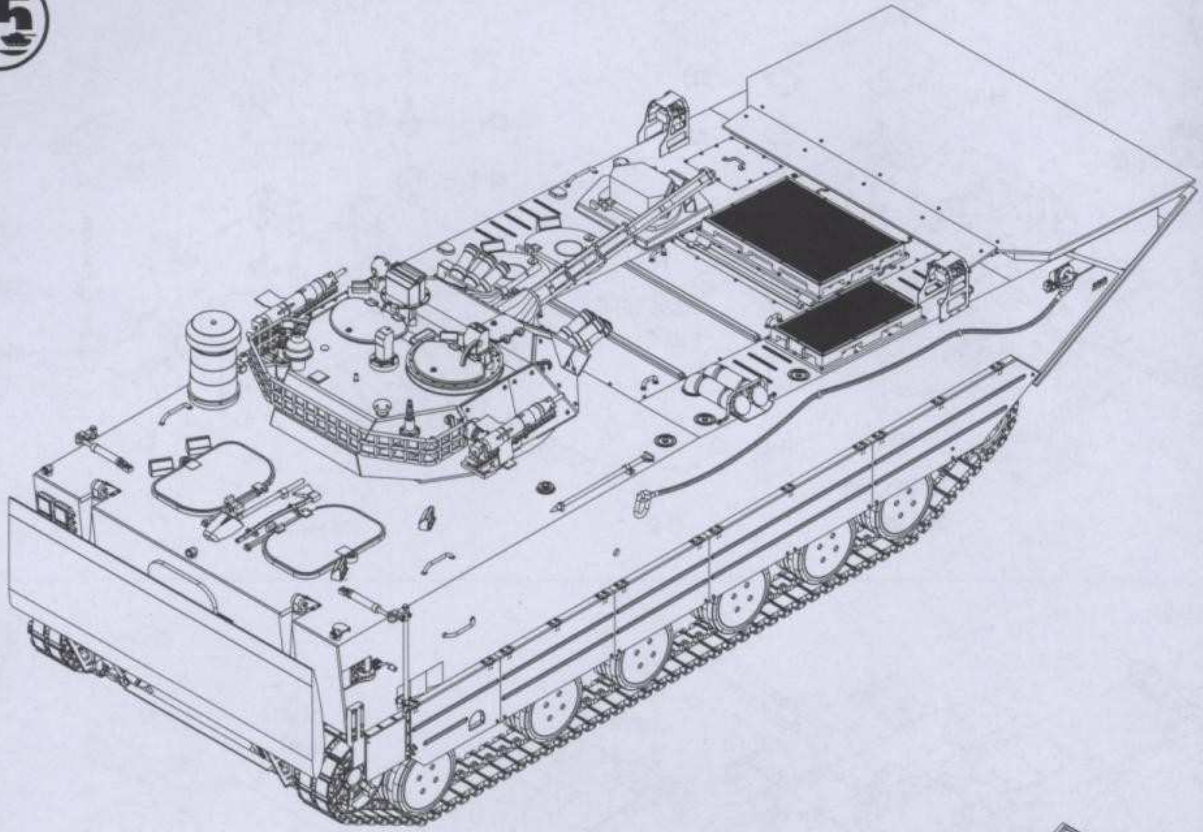
11
STEP



PE-B2
bend
弯曲



15
STEP



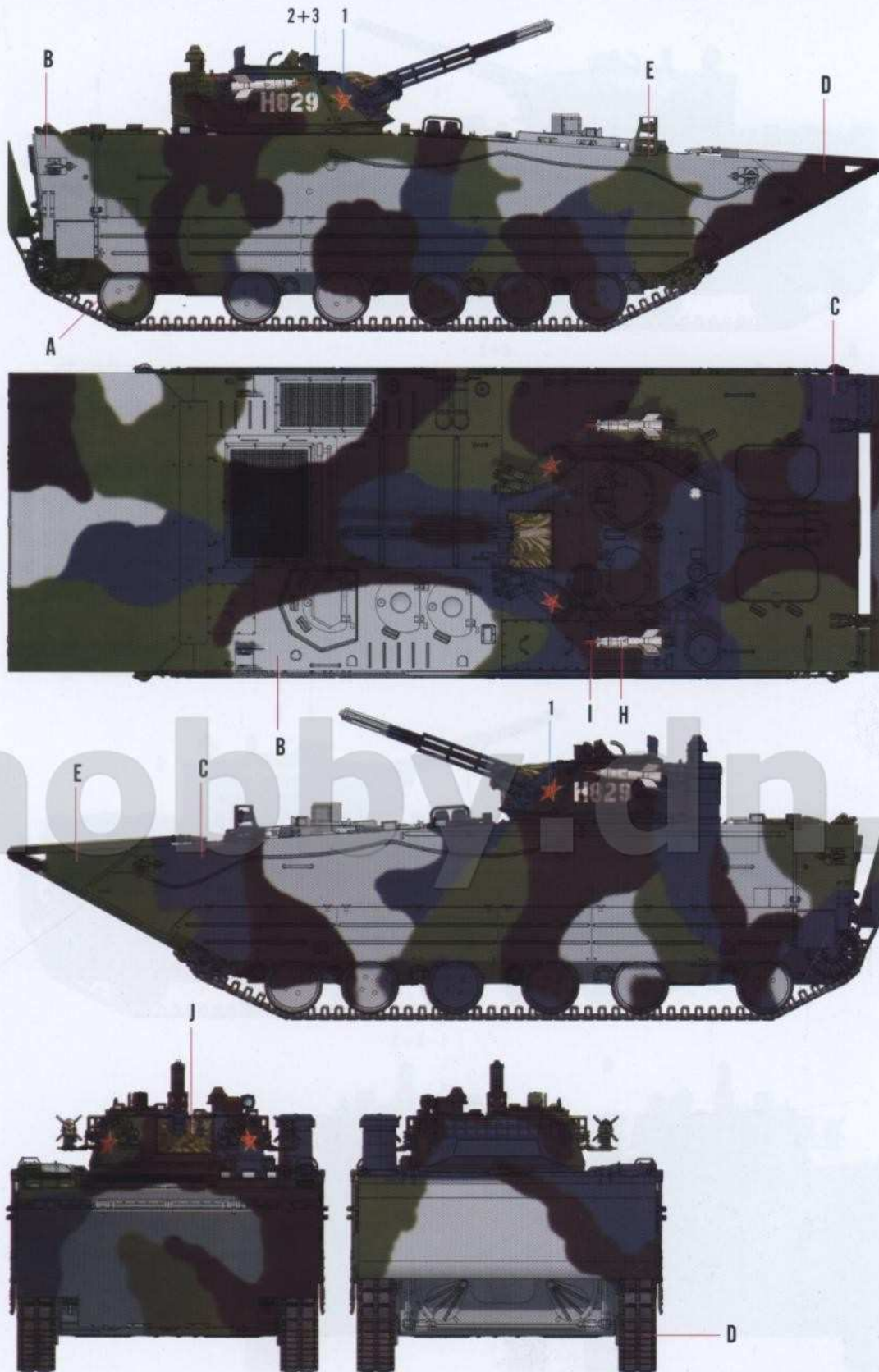
标贴与涂装

PLA ZBD-05 Amphibious IFV

MARKING & PAINTING 中国陆军05式水陆两用步兵战车 中国ZBD-05两栖装甲步兵战车



I



Color	Mr.Hobby	HOBBY BOSS	Vallejo	Model Master	Tamiya	Humbrol
A 胎黑色 Tire Black	H[77] 137	--	--	--	--	--
B 灰白色 Aircraft Gray	H[57] 73	--	--	--	--	--
C 灰蓝色 Intermediate Blue	H[56] 72	--	903	1720	--	144
D 消光黑 Flat Black	H[32] 33	--	950	1749	XF1	33
E 浅绿色 Light Green	H[008] 303	Z-02	--	1713	XF20	117

NO.:82483

※Some paints may not be available in your country. Please check your local hobby shop for substitute

标贴与涂装

MARKING & PAINTING

PLA ZBD-05 Amphibious IFV

中国陆军05式水陆两用步兵战车

中国ZBD-05两栖装甲步兵战车



II



Color	Mr.Hobby	HOBBY BOSS	Vallejo	Model Master	Tamiya	Humbrol
F 深蓝色 Navy Blue	H 54 44	Z-05	896	--	--	77
G 浅灰蓝 Air Superiority Blue	H 74 74	Z-04	--	--	--	--
H 白色 White	H 11 11		842	1745	X2	22
I 红色 Red	H 31 31		908	1503	X7	19
J 卡其色 Khaki	H 81 85		988	--	XF49	26

NO.:82483

*Some paints may not be available in your country. Please check your local hobby shop for substitute