

1:35 Scale

ITEM NO.:83802



US White 666 Cargo (Soft Top)

ホワイト6トン 6×6カーゴトラック(ソフトトップ) 美国怀特666 6吨卡车 (软顶)

PLEASE READ BEFORE OPERATION!

- * Tools recommended as below: (Not included)
Adhesives; Paints; Side Cutters; Sharp Edged Pliers; Modeling Knife; Modeling File; Nippers; Drill; Scissors; Sand Paper; Soft Cloth; Cyanoacrylate Glue.
- * Make sure to read this instruction listed below before assembling.
- * The kit contains the small parts, they can be dangerous if swallowed by mistake, so keep them away from reach of children.
- * Cut the all parts off carefully and remove the waste parts into the garbage can.
- * More caution and care should be needed for cutting and handling the photo etched parts.
- * Make attention that some parts should be attached the decal when assembled.
- * During assembling, please tear up and throw away the plastic bags, or may cause the dangerous if wearing over head by children's mistake.
- * When using the adhesives and paints, please do not use them in the closed room or near the fire, also must be very careful to protect your eyes, face and clothes.
- * Adult supervised when assembled by children under 14 years old.

装配前请仔细阅读:

- * 推荐使用的模型工具(请自备):
专用模型胶水, 专用模型油漆, 水口剪刀, 长咀钳, 刀片, 锉刀, 镊子钳, 钻, 剪刀, 软布, 砂纸, 瞬间快干胶等。
- * 用水口剪刀或刀片小心切下所有塑胶零件和蚀刻片零件, 不要遗失小零件。
- * 切取蚀刻片时应特别注意防止利边划伤手指。
- * 用模型锉刀小心锉平所有零件表面的注射浇口。
- * 用适量的强力快干胶水粘合蚀刻片零件和金属轴, 切忌过量, 否则可能导致可动零件被粘住。
- * 注意某些零件表面需在装配时同步贴水上贴纸。
- * 制作时应远离幼儿并将包装袋及时收妥, 谨防小孩玩耍而引起意外。



cyanoacrylate glue
强力胶



weight
配重



make hole
钻孔



cut / remove
切除



option
选择



no cement
不涂胶水



decal
贴纸



bend
弯曲



repair
填补

The method to apply the decals

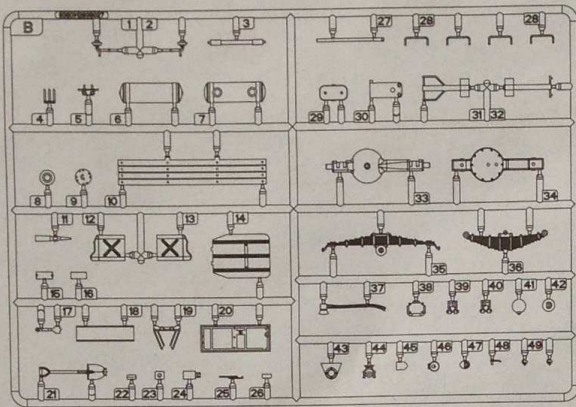
1. Cut off the decal from the decal paper and put it into the warm water 40°C for 10 seconds.
2. Take the decal from the water and put it on a piece of clean cloth.
3. Remove the decal slowly from the paper to the targeted location by a wet finger.
4. Use a piece of dry and soft cloth to press it gently on the decal until it getting dry and no bubble existing.

水贴纸的使用方法:

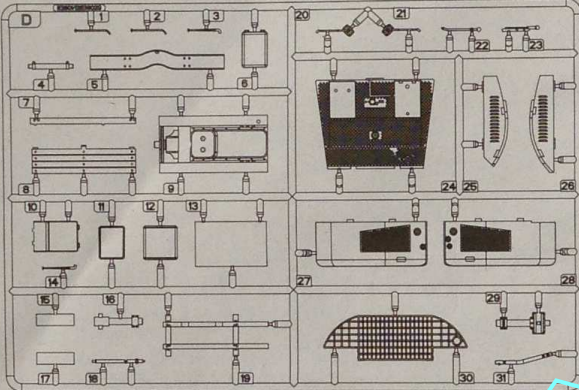
- 一. 把相关的印花从水贴上剪下, 放入40°C左右的温水中浸10秒。
- 二. 然后将印花放在干净的布上。
- 三. 拿上印花纸板, 手指蘸水将印花移到适当的位置。
- 四. 用软干布轻压印花直至水干, 气泡消失。

部品图
Parts

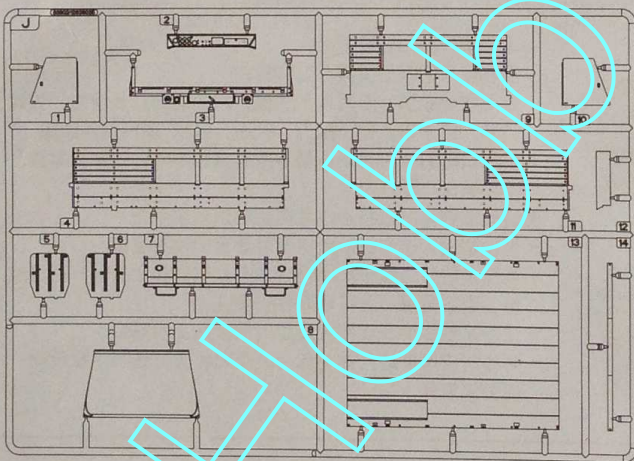
BX2



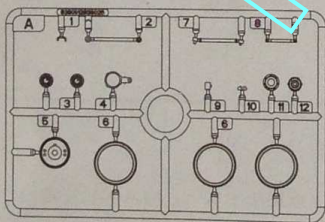
D



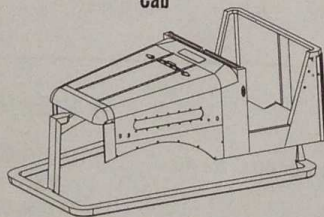
J



AX4

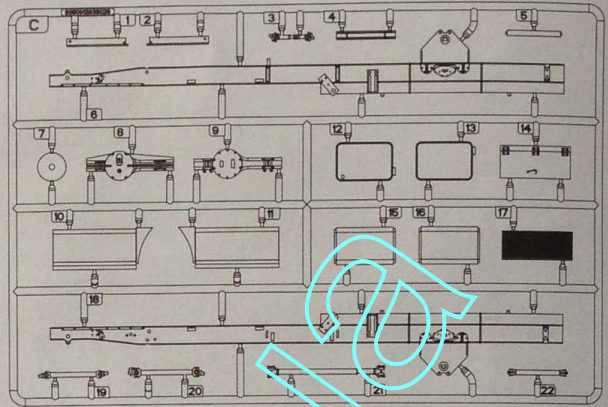


车头
Cab

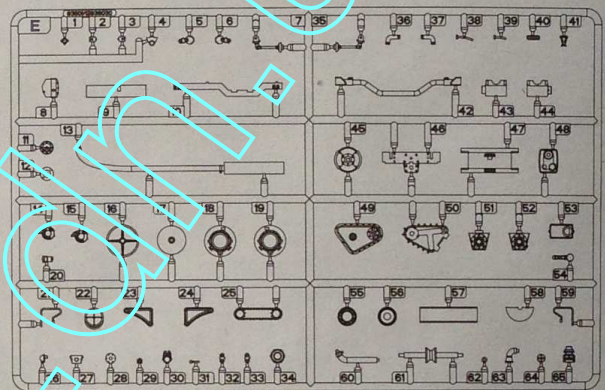


不用部品: E58、GP2、GP3、PE15
No used parts

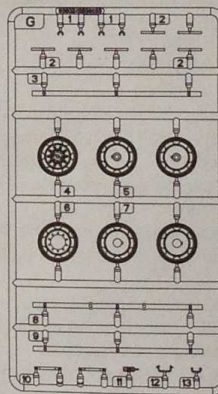
C



E



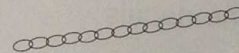
GX2



轮胎X12
Tyre

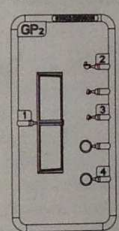


链条. Size: Ø0.25X50mm
Chain

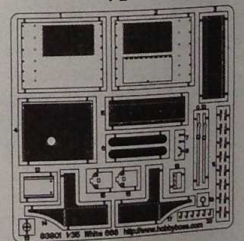


棉绳: Ø0.6X1000mm
Thread

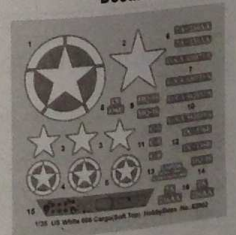
GP



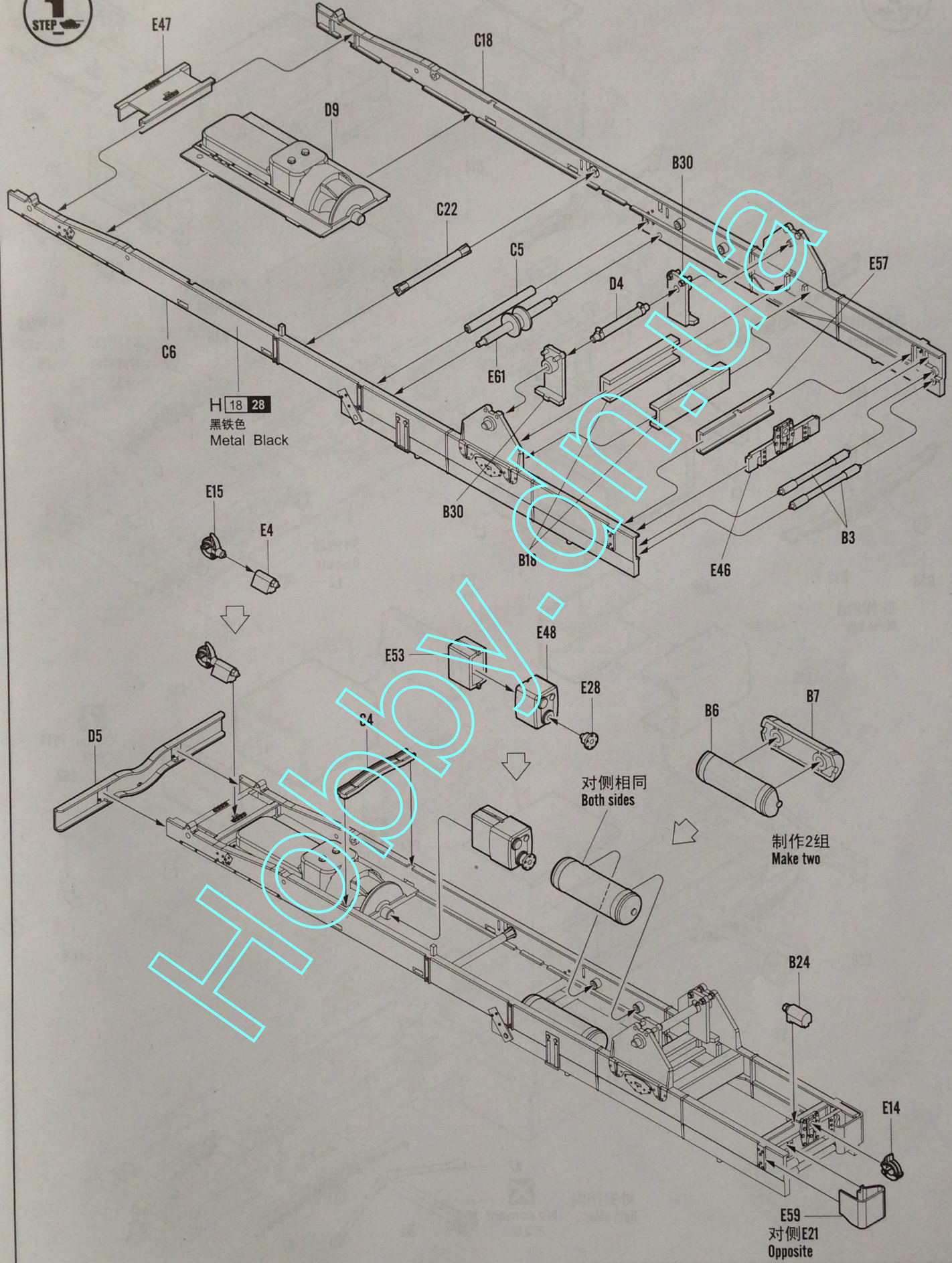
蚀刻片
PE



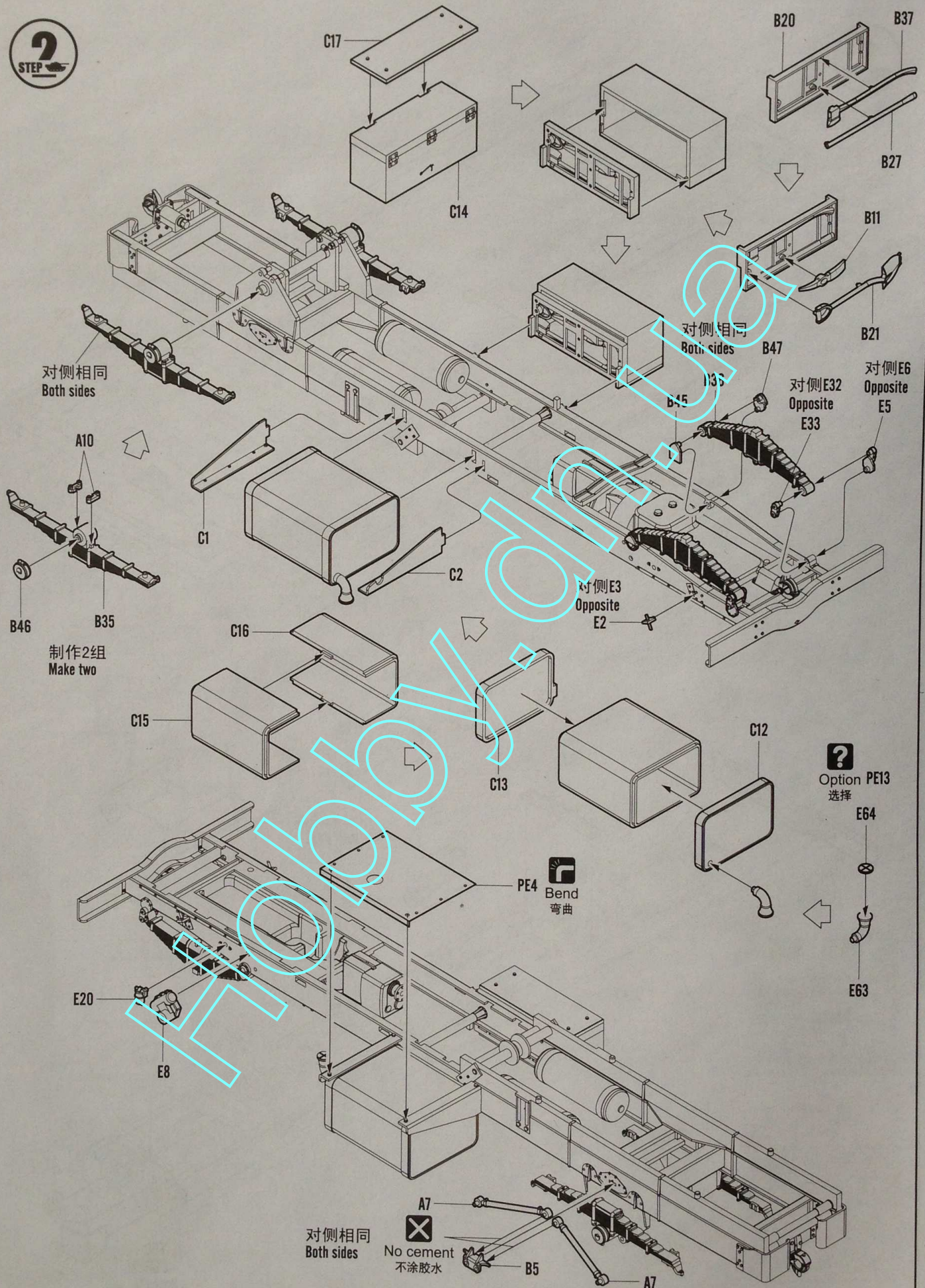
水贴纸
Decal



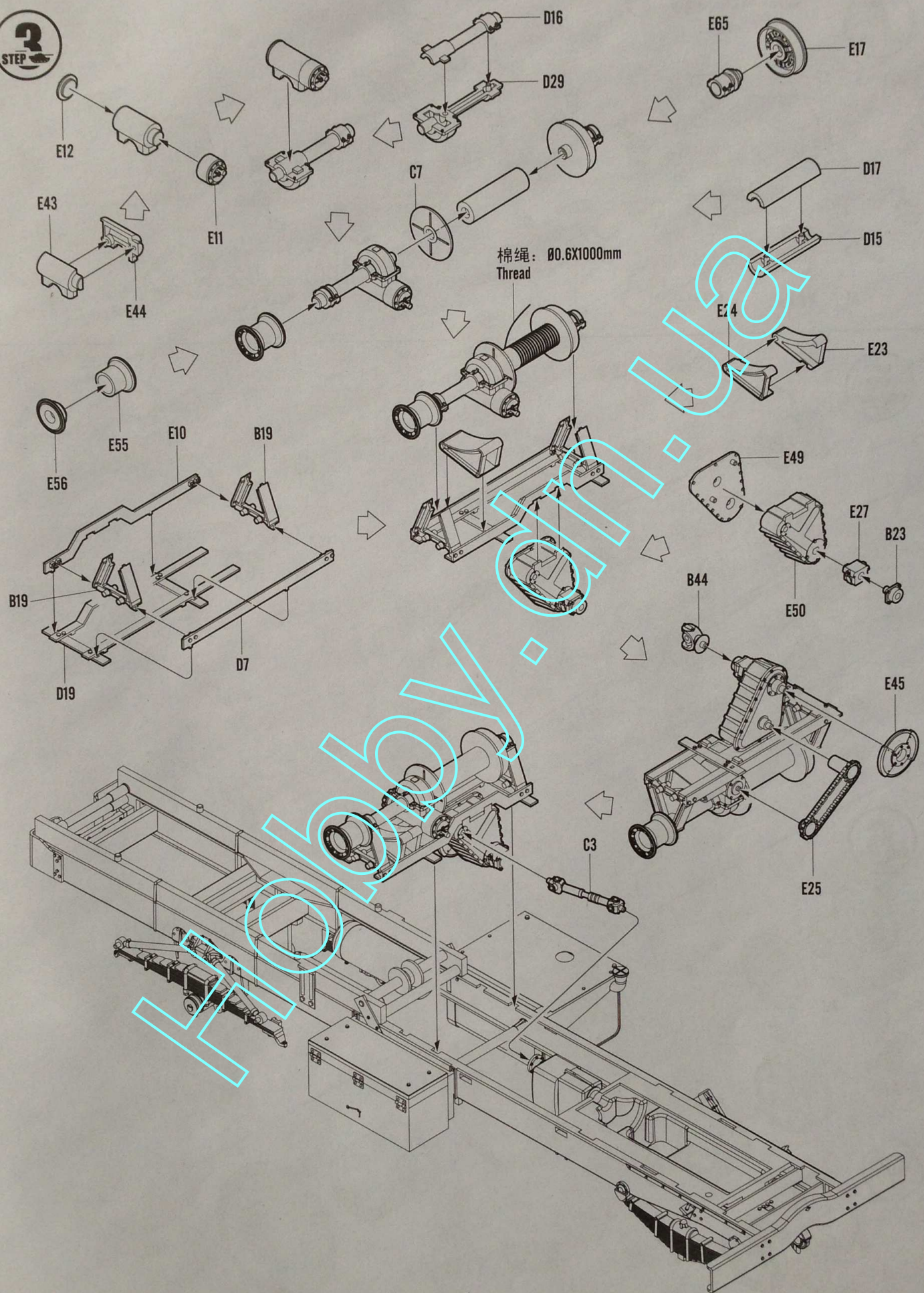
1
STEP



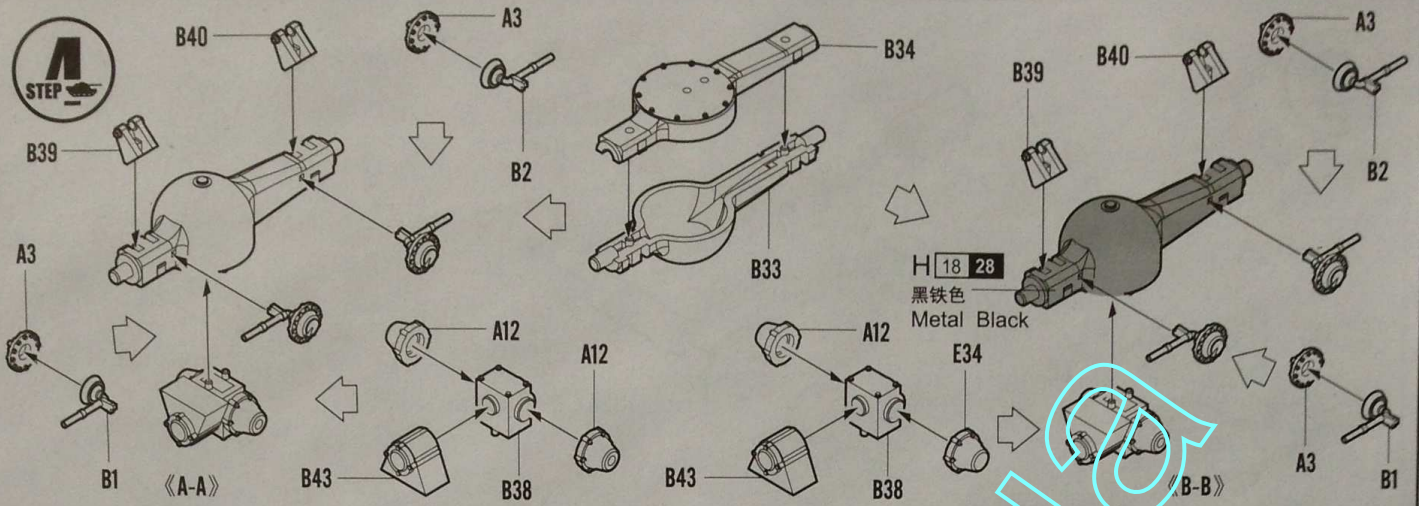
2
STEP



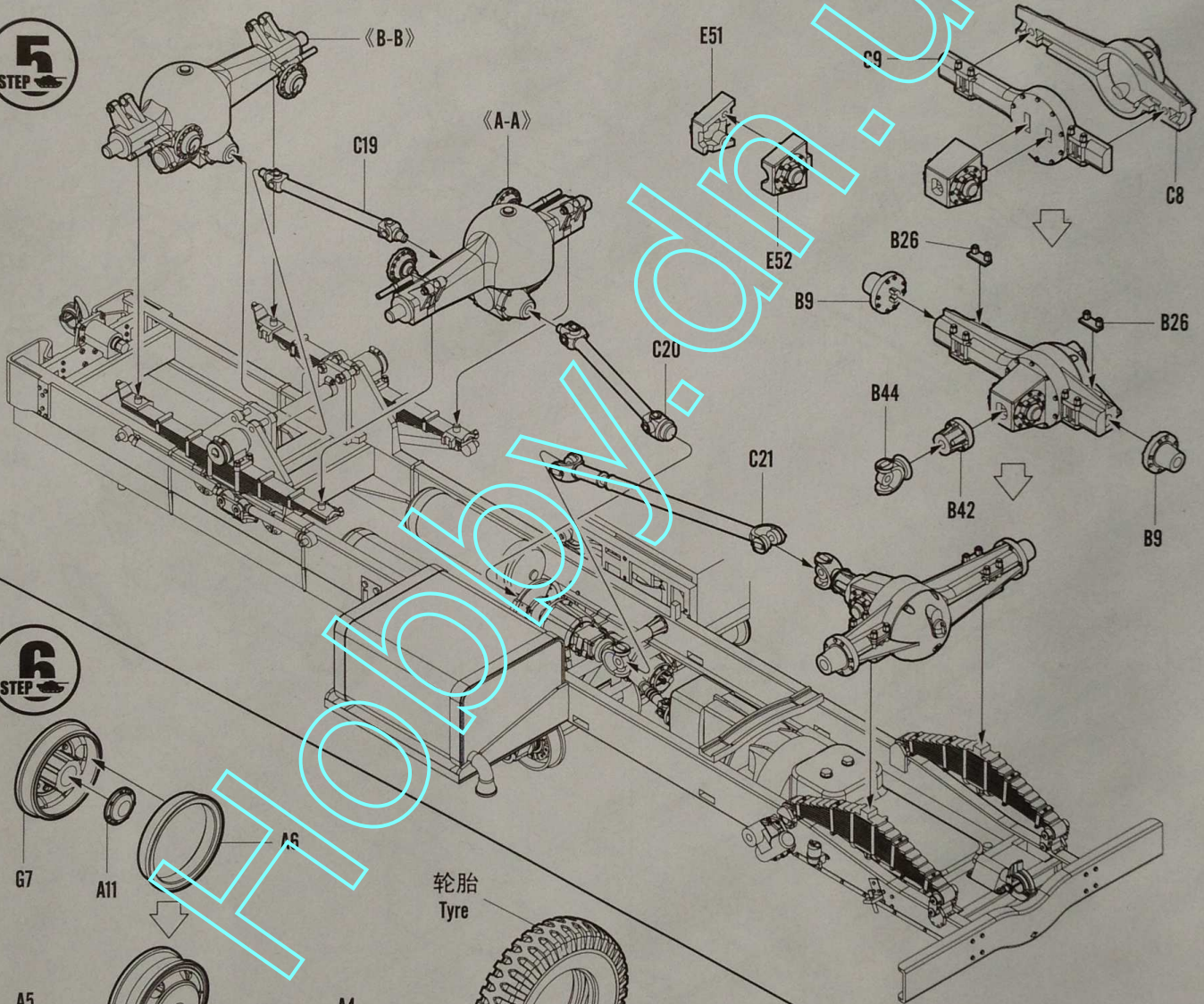
3
STEP



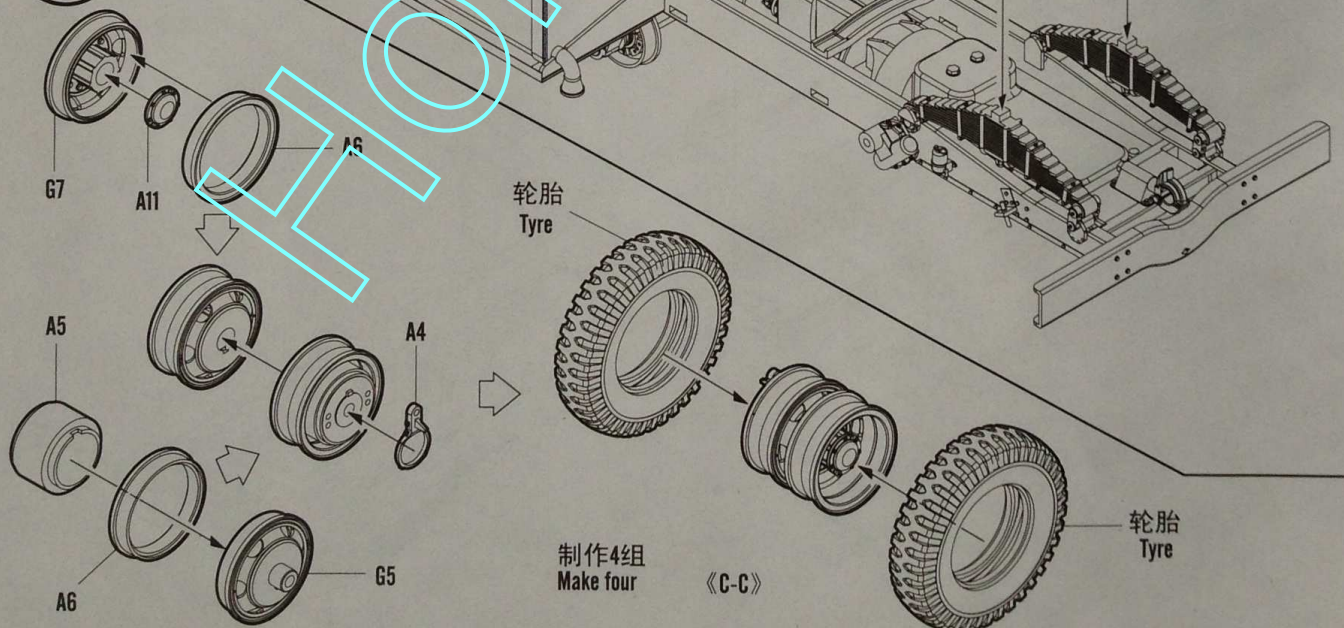
4 STEP



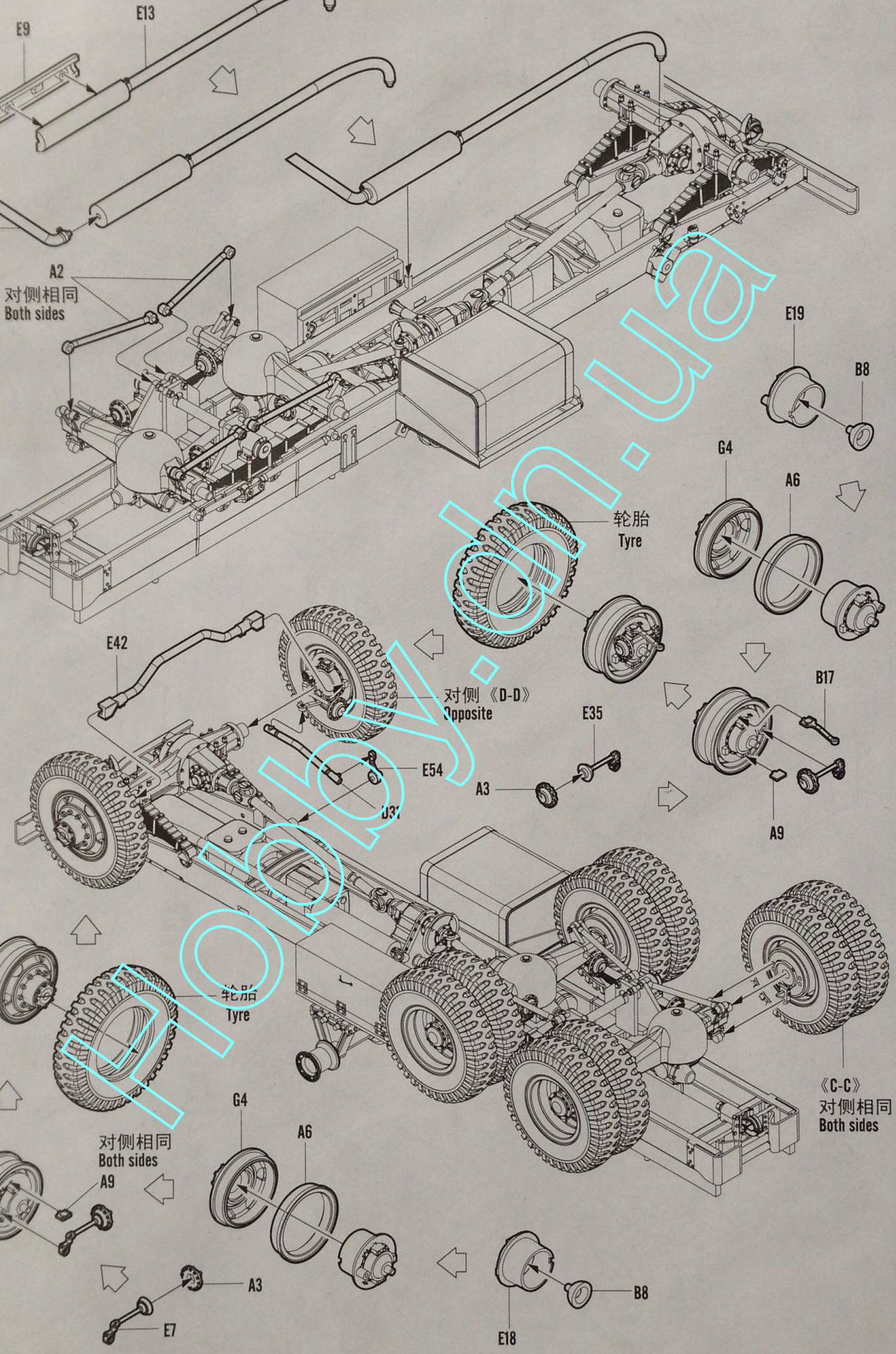
5 STEP

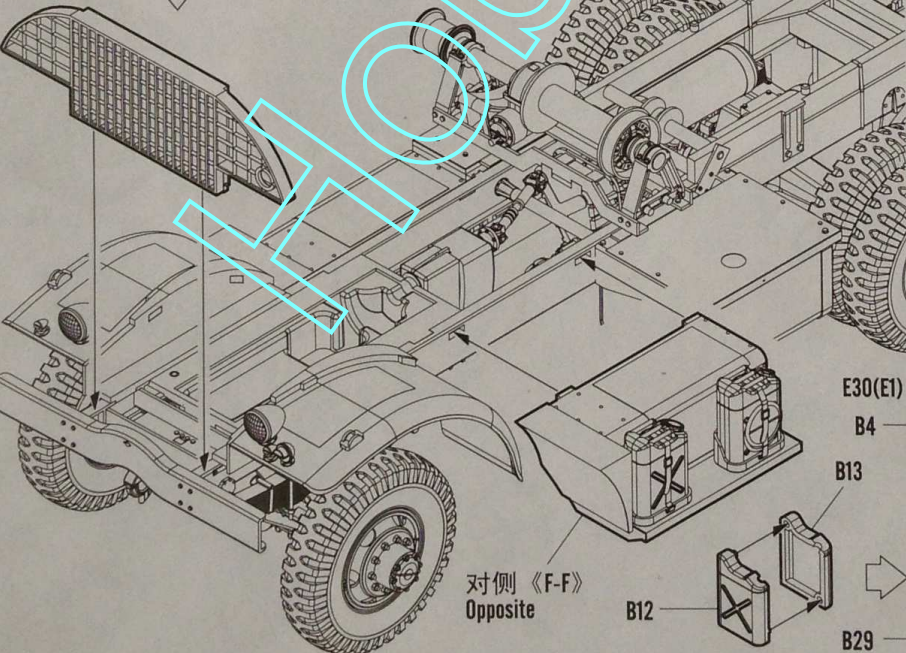
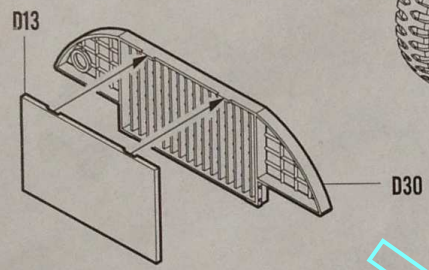
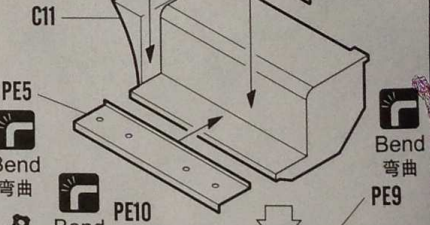
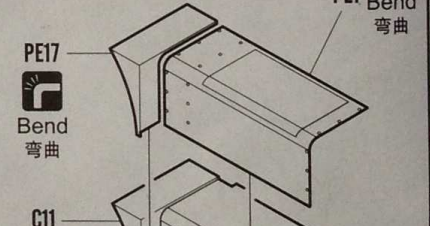
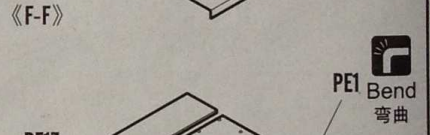
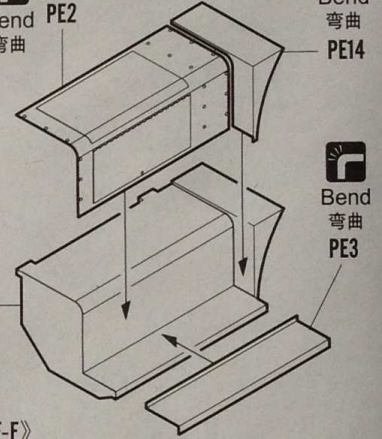
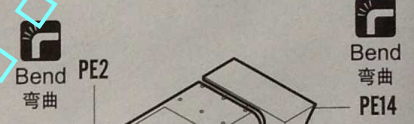
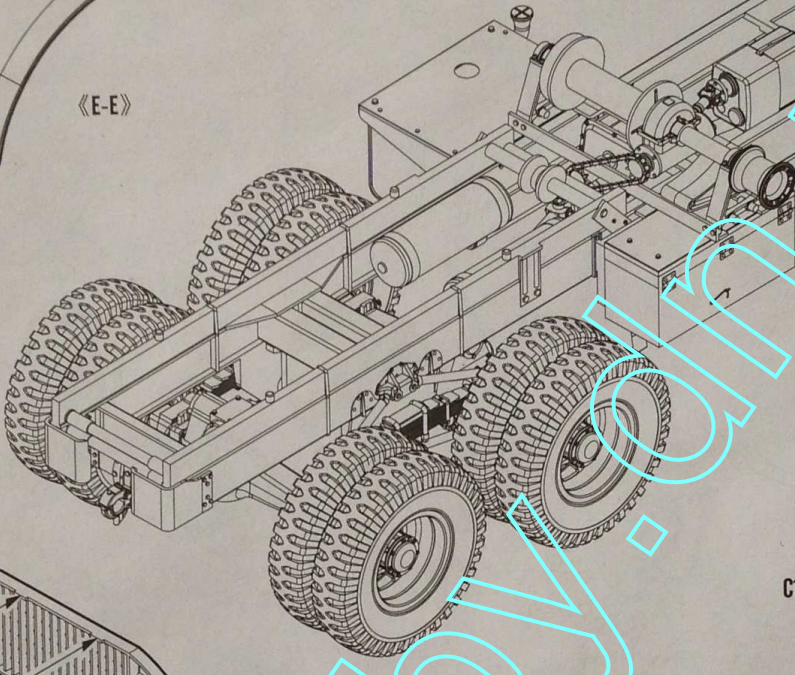
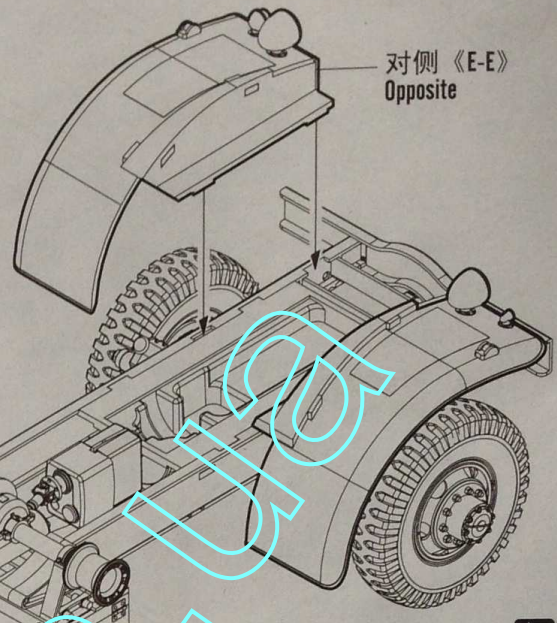
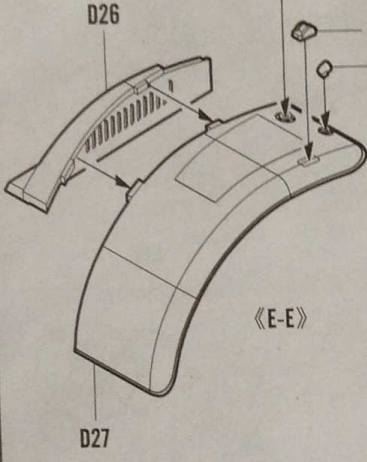
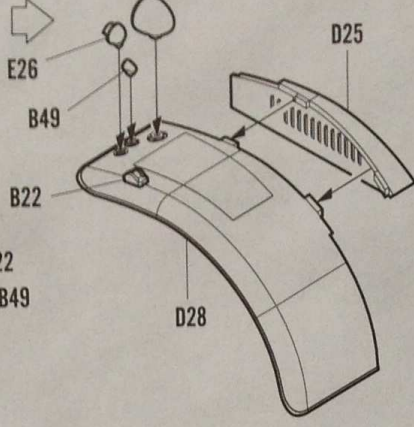
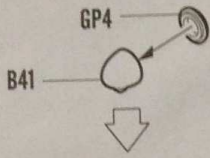


6 STEP



7
STEP





对侧《F-F》
Opposite



对侧相同
Both sides
B31

对侧相同
Both sides
B32

J9

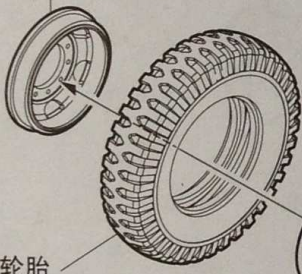
J11

J13

J3

J4

G6

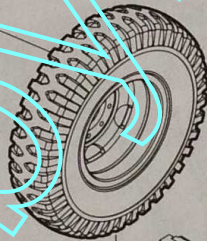


轮胎
Tyre

制作2组
Make two

A6

对侧相同
Both sides



G2

D8

G2

B10

G2

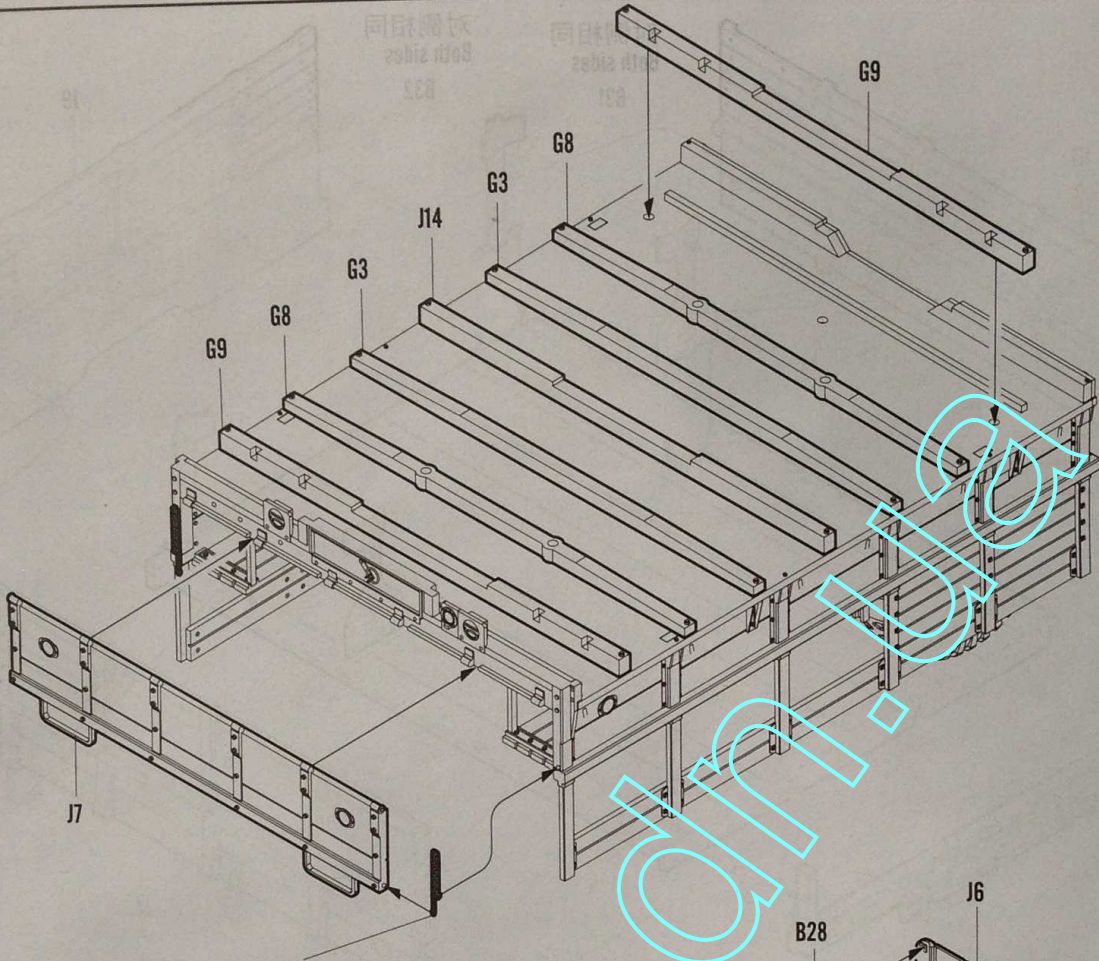
G2

制作2组
Make two

PE19

PE7

10
STEP



链条. Size: ϕ 0.25X17mm
Chain
对侧相同
Both sides

对侧相同
Both sides

G10

对侧相同
Both sides

A8

B14
对侧相同
Both sides

对侧 «G-G»
Opposite

B28

B28

«G-G»

G13

PE11X14

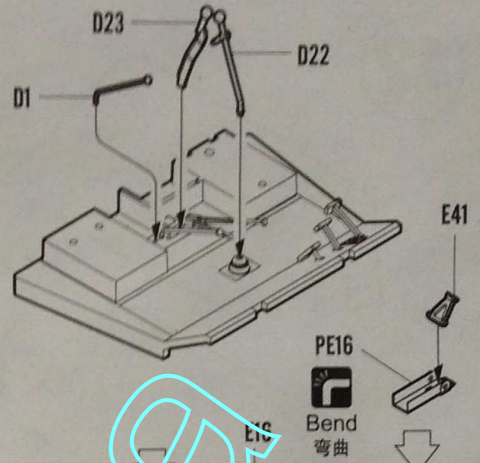
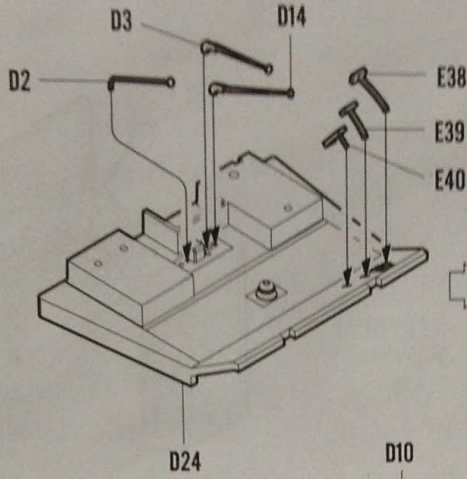
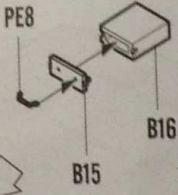
Bend
弯曲



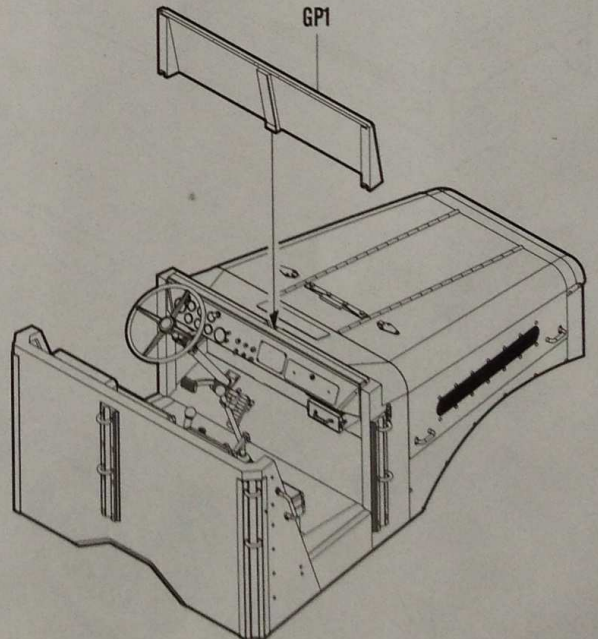
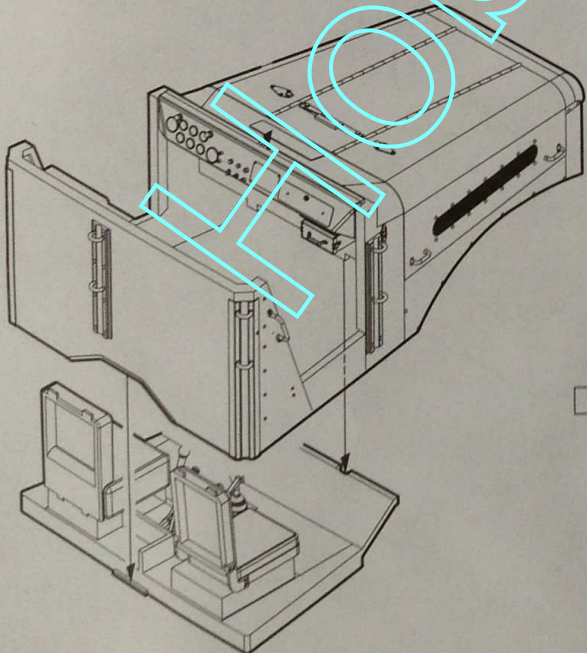
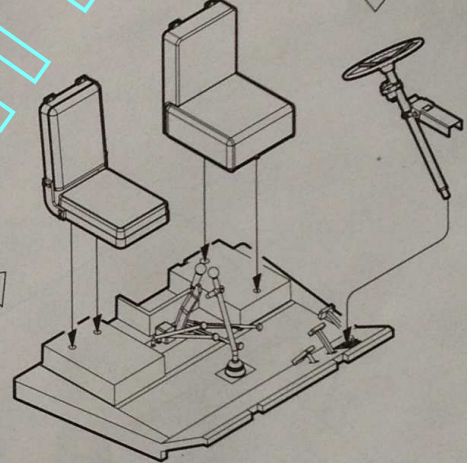
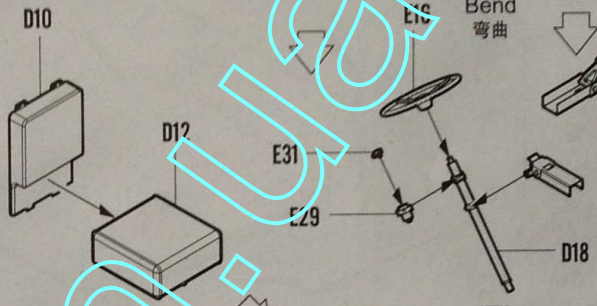
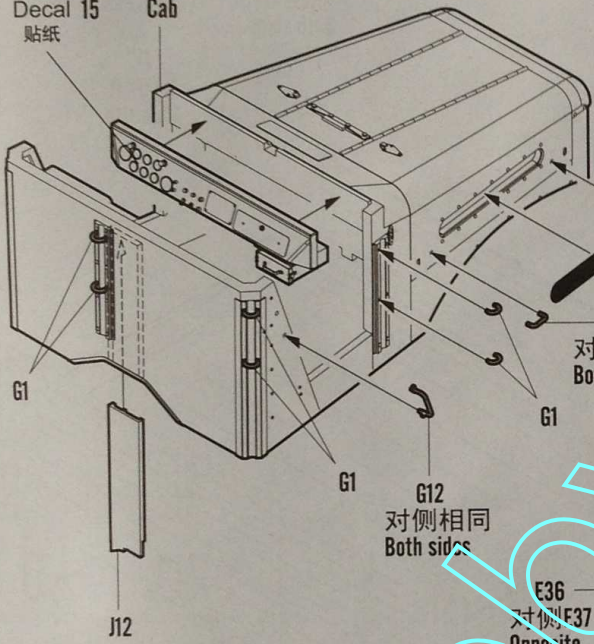
11
STEP



Bend
弯曲
PE18



车头
Cab
Decal 15
贴纸



A1
对侧相同
Both sides

PE6
对侧相同
Both sides

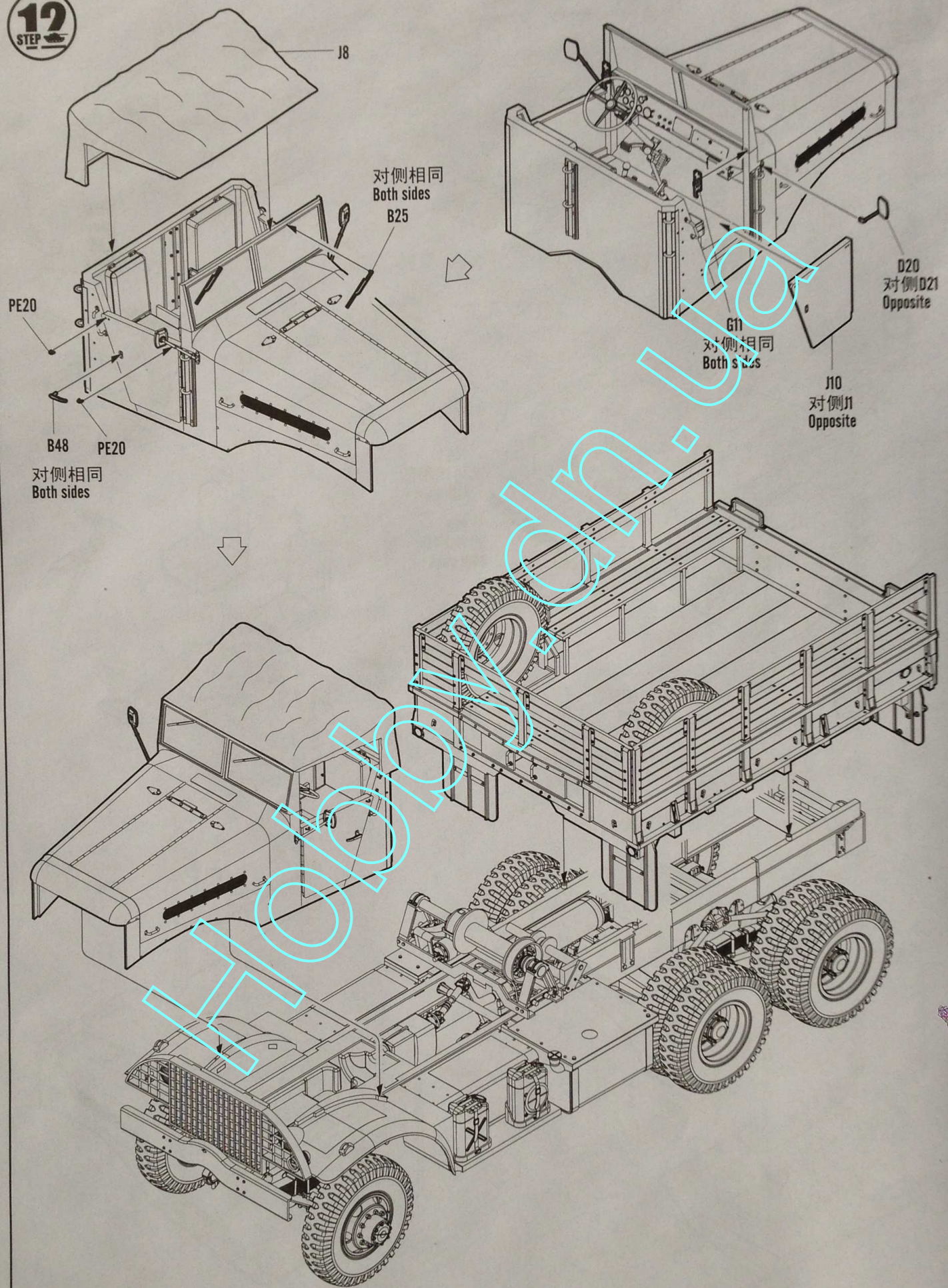
A1
对侧相同
Both sides

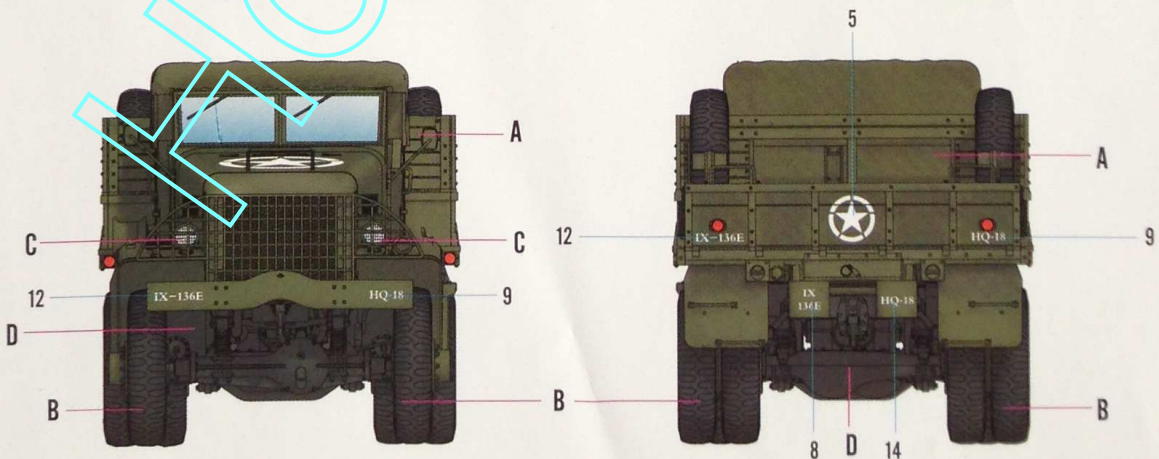
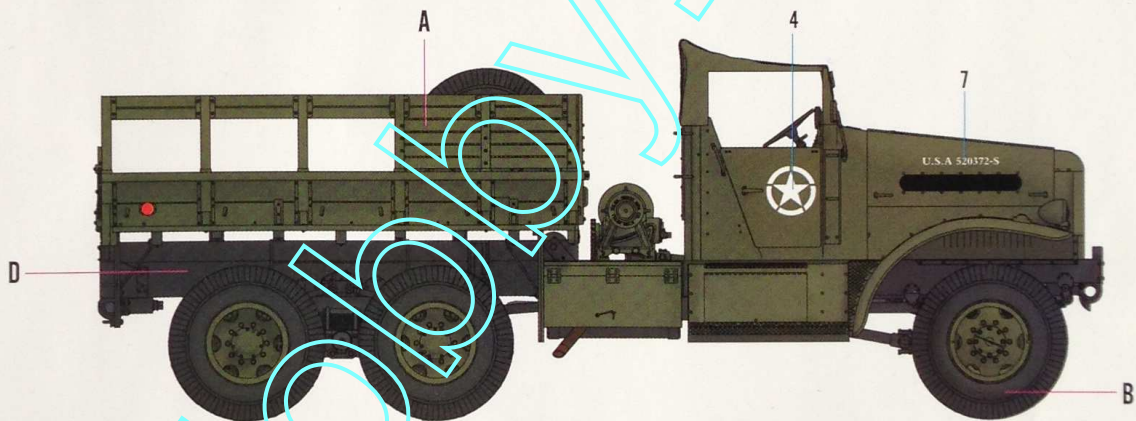
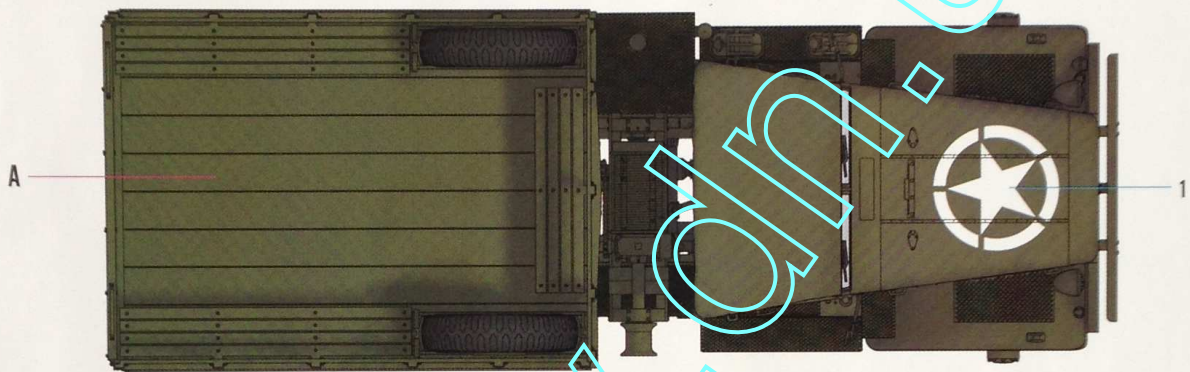
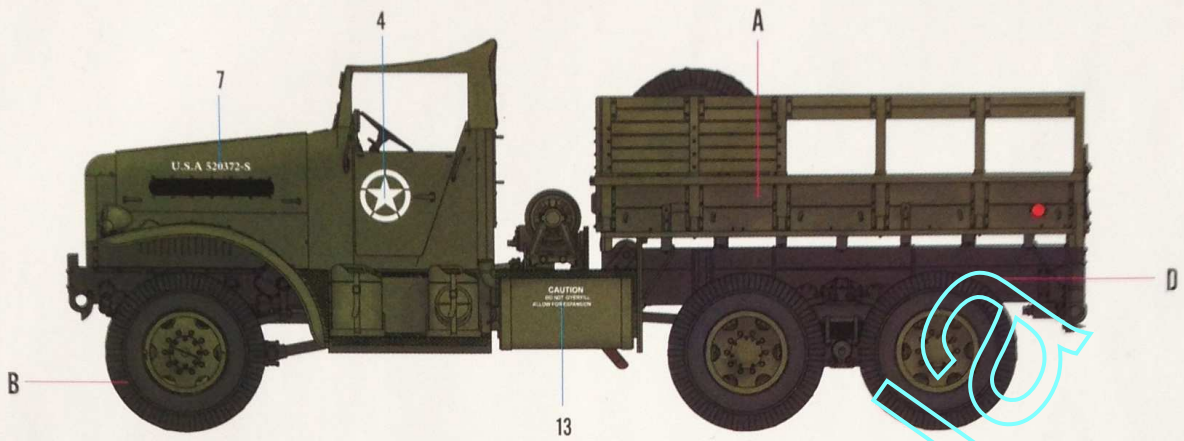
G12
对侧相同
Both sides

E36
对侧
Opposite

E37

12
STEP





Color	Mr.Hobby	Vallejo	Model Master	Tamiya	Humbrol	Color	Mr.Hobby	Vallejo	Model Master	Tamiya	Humbrol
A 橄欖色 Olive Drab	H 304 304	887	1711	XF82	155	C 銀色 Silver	H 3 8	997	1546	X11	11
B 胎黑色 Tire Black	H 177 137	--	--	--	--	D 黑鉄色 Metal Black	H 18 28	864	1402	--	--