

1:35 Scale

ITEM NO.:83868



IDF APC PUMA

イスラエル装甲兵員輸送車プーマ 以色列“彪马”装甲运兵车

PLEASE READ BEFORE OPERATION!

- * Tools recommended as below: (Not included)
Adhesives; Paints; Side Cutters; Sharp Edged Pliers; Modeling Knife; Modeling File; Nippers; Drill; Scissors; Sand Paper; Soft Cloth; Cyanoacrylate Glue.
- * Make sure to read this instruction listed below before assembling.
- * The kit contains the small parts, they can be dangerous if swallowed by mistake, so keep them away from reach of children.
- * Cut the all parts off carefully and remove the waste parts into the garbage can.
- * More caution and care should be needed for cutting and handling the photo etched parts.
- * Make attention that some parts should be attached the decal when assembled.
- * During assembling, please tear up and throw away the plastic bags, or may cause the dangerous if wearing over head by children's mistake.
- * When using the adhesives and paints, please do not use them in the closed room or near the fire, also must be very careful to protect your eyes, face and clothes.
- * Adult supervised when assembled by children under 14 years old.

装配前请仔细阅读:

- * 推荐使用的模型工具(请自备):
专用模型胶水, 专用模型油漆, 水口剪刀, 长咀钳, 刀片, 锉刀, 镊子钳, 钻, 剪刀, 软布, 砂纸, 瞬间快干胶等。
- * 用水口剪刀或刀片小心切下所有塑胶零件和蚀刻片零件, 不要遗失小零件。
- * 切取蚀刻片时应特别注意防止利边划伤手指。
- * 用模型锉刀小心锉平所有零件表面的注射浇口。
- * 用适量的强力快干胶水粘合蚀刻片零件和金属轴, 切忌过量, 否则可能导致可动零件被粘住。
- * 注意某些零件表面需在装配时同步贴水上贴纸。
- * 制作时应远离幼儿并将包装袋及时收妥, 谨防小孩玩耍而引起意外。



cyanoacrylate glue
强力胶



weight
配重



make hole
钻孔



cut / remove
切除



option
选择



no cement
不涂胶水



decal
贴纸



bend
弯曲



repair
填补

The method to apply the decals

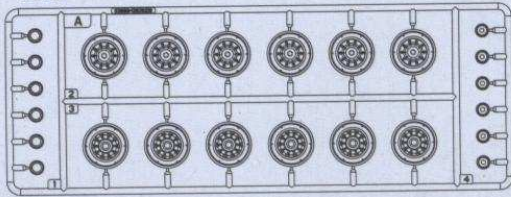
1. Cut off the decal from the decal paper and put it into the warm water 40°C for 10 seconds.
2. Take the decal from the water and put it on a piece of clean cloth.
3. Remove the decal slowly from the paper to the targeted location by a wet finger.
4. Use a piece of dry and soft cloth to press it gently on the decal until it getting dry and no bubble existing.

水贴纸的使用方法:

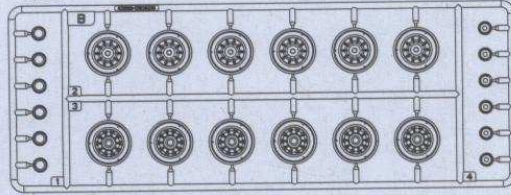
- 一. 把相关的印花从水贴纸上剪下, 放入40°C左右的温水中浸10秒。
- 二. 然后将印花放在干净的布上。
- 三. 拿上印花纸, 手指蘸水将印花移到适当的位置。
- 四. 用干软布轻压印花直至水干, 气泡消失。

部品图
Parts

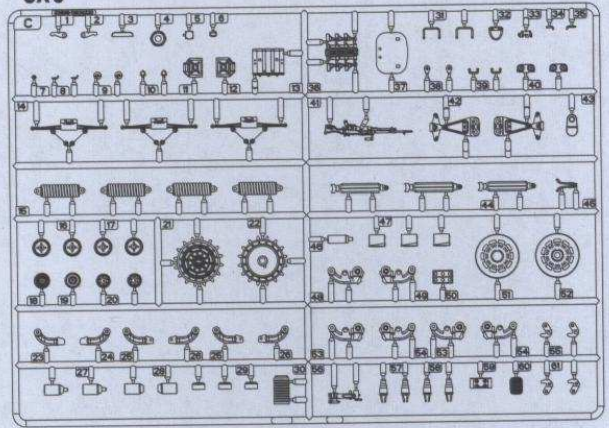
AX2



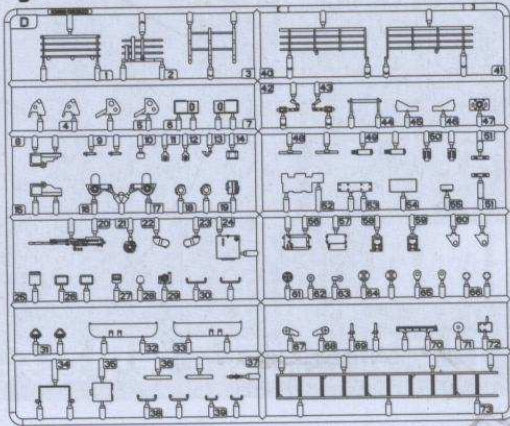
BX2



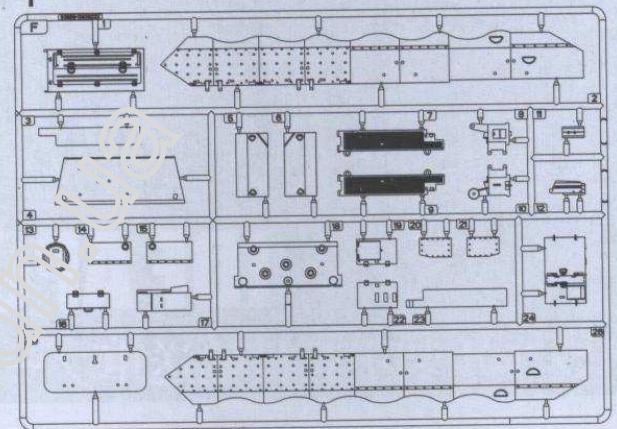
CX3



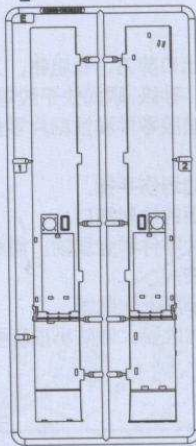
D



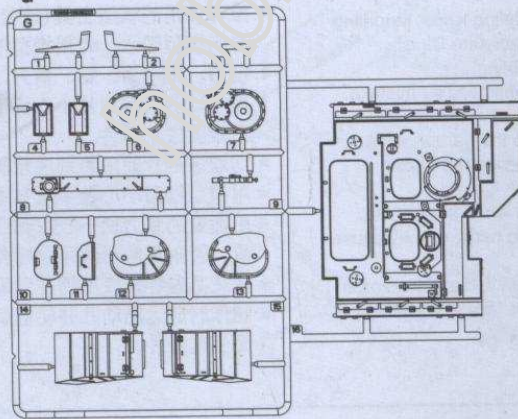
F



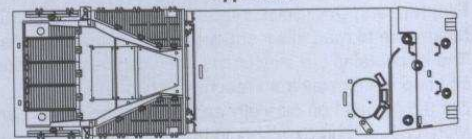
E



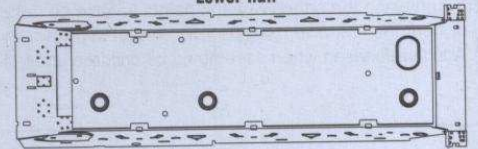
G



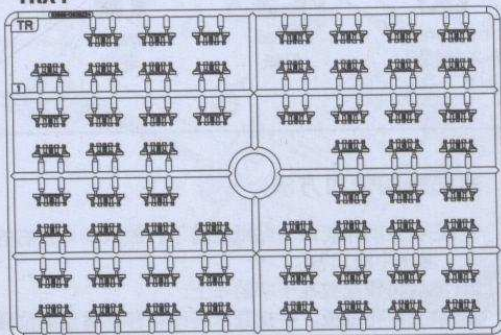
车面
Upper hull



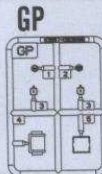
车底
Lower hull



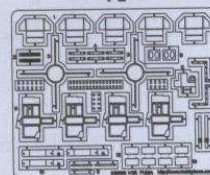
TRX4



轮圈
Tyre X24

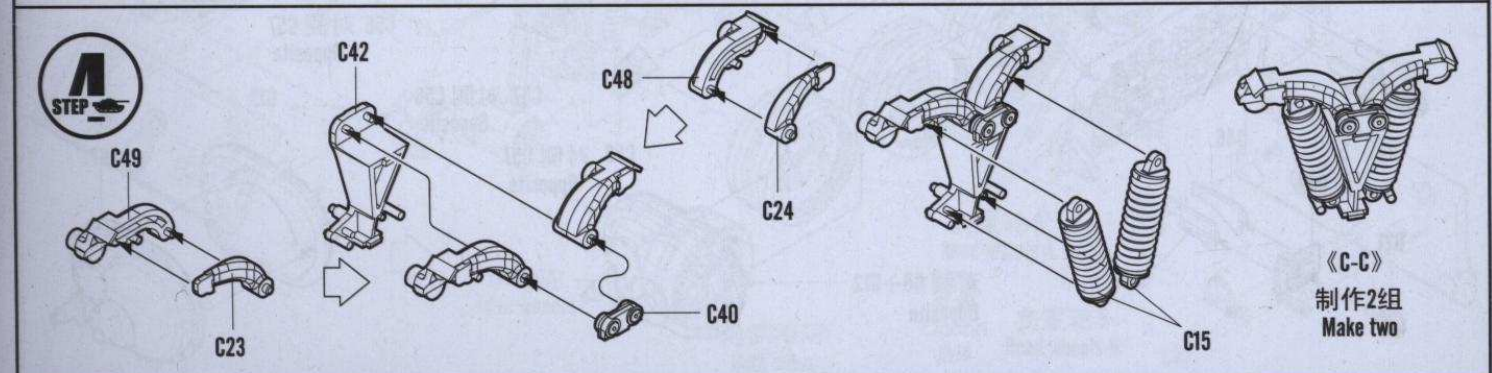
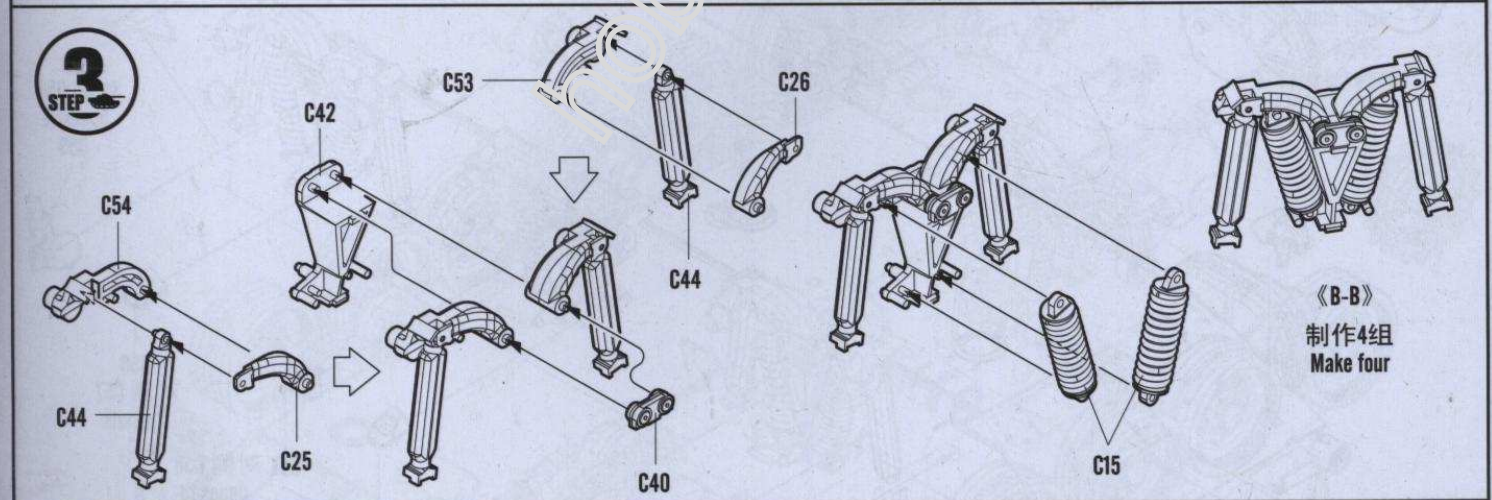
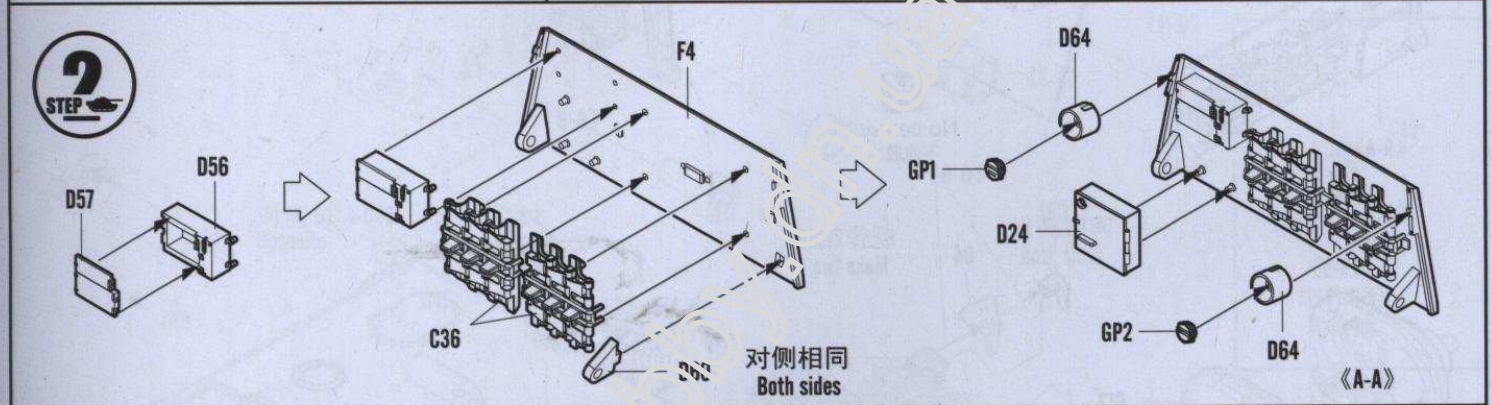
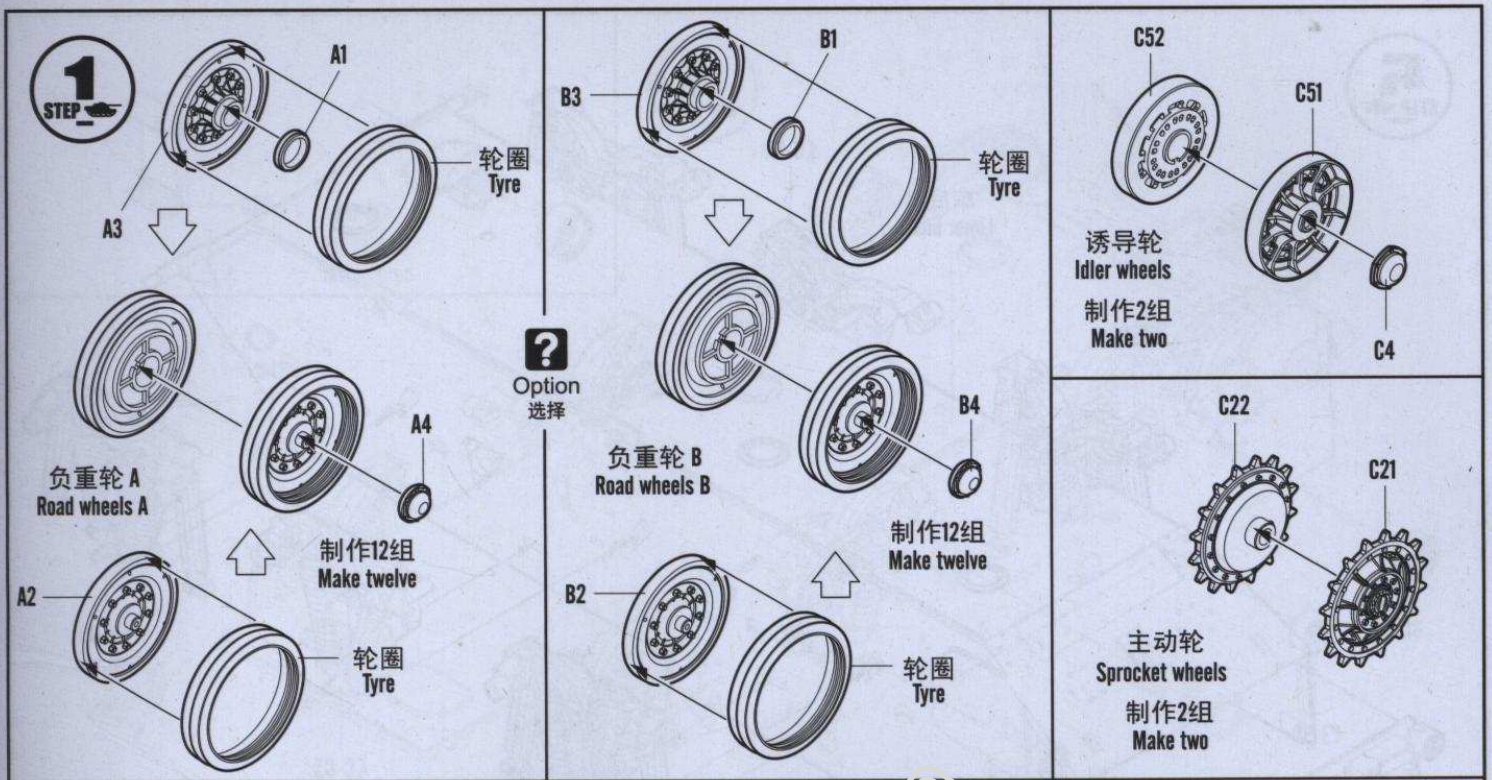


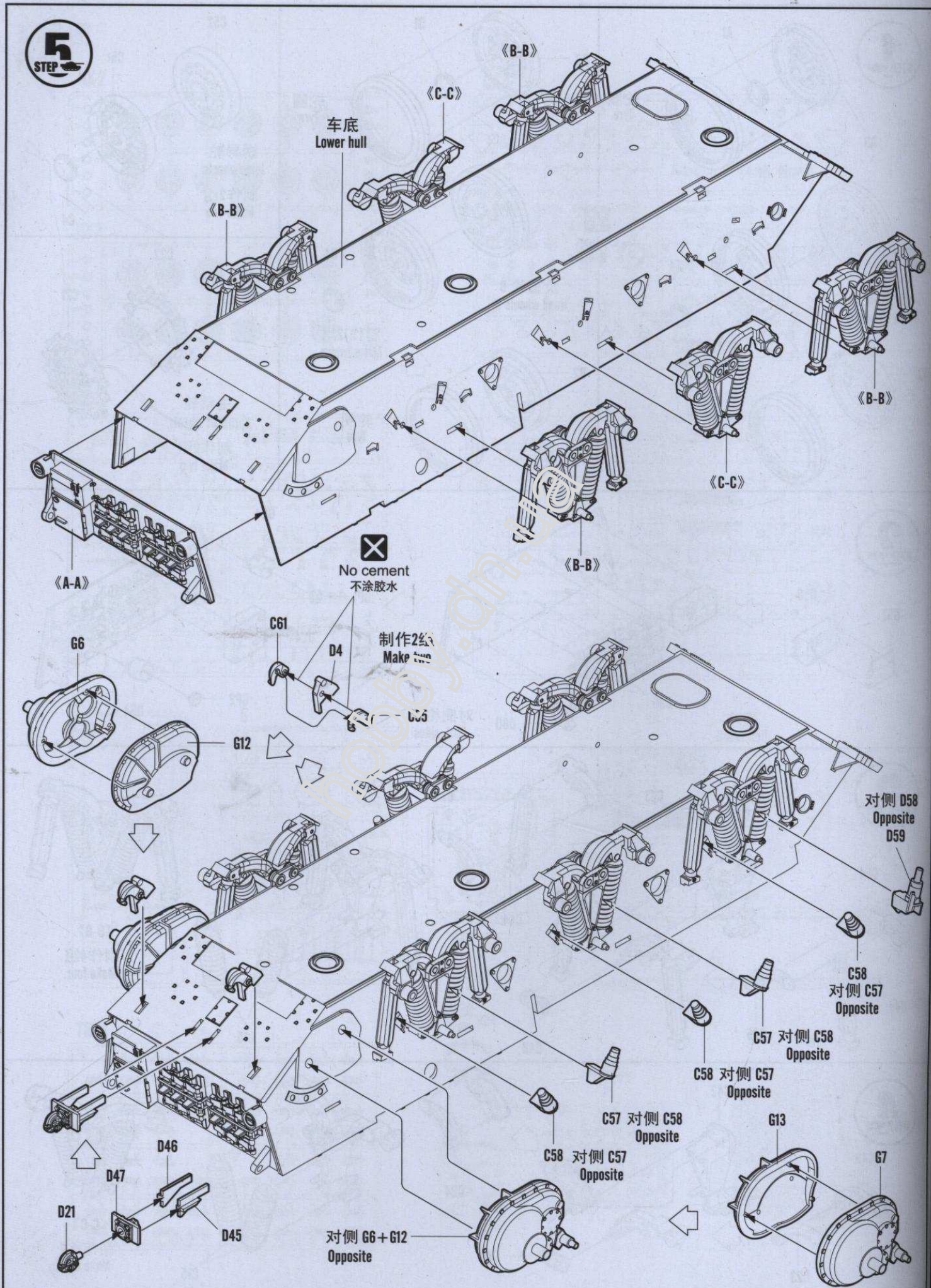
蚀刻片
PE



水贴
Decal







车底
Lower hull

X
No cement
不涂胶水

制作2根
Make two

对侧 D58
Opposite
D59

C58
对侧 C57
Opposite

C57 对侧 C58
Opposite

C58 对侧 C57
Opposite

C57 对侧 C58
Opposite

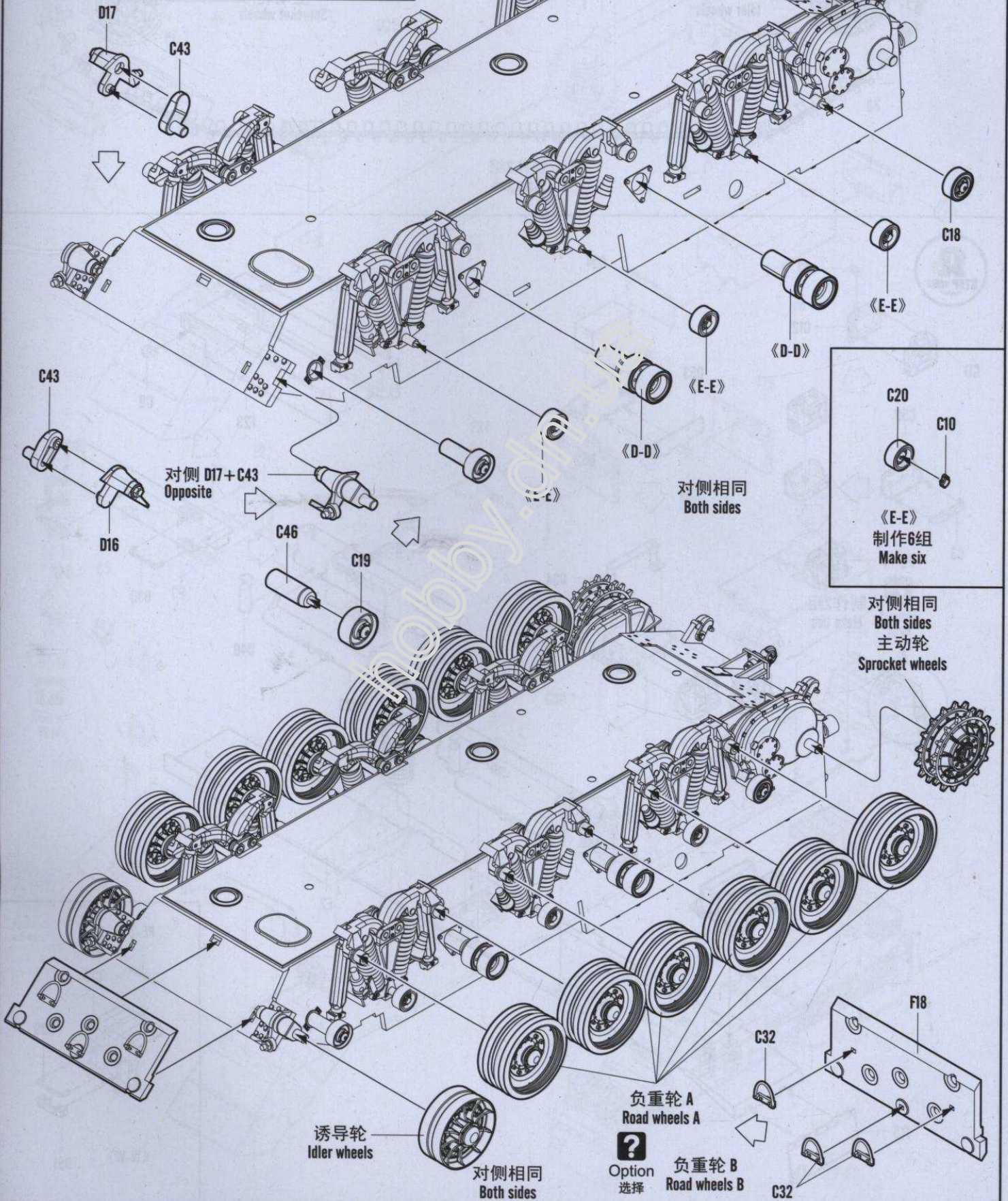
C58 对侧 C57
Opposite

对侧 G6 + G12
Opposite

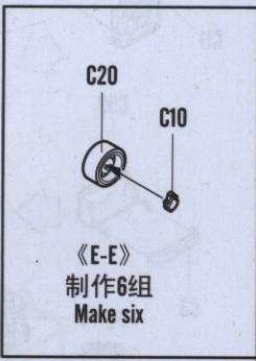
6
STEP



《D-D》
制作4组
Make three



D17
C43



C20
C10
《E-E》
制作6组
Make six

对侧 D17+C43
Opposite

对侧相同
Both sides

对侧相同
Both sides
主动轮
Sprocket wheels

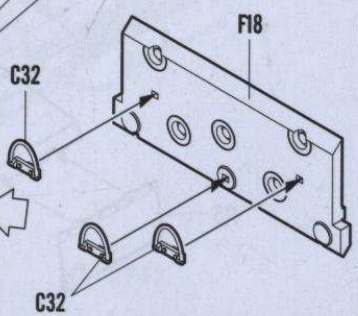
诱导轮
Idler wheels

对侧相同
Both sides

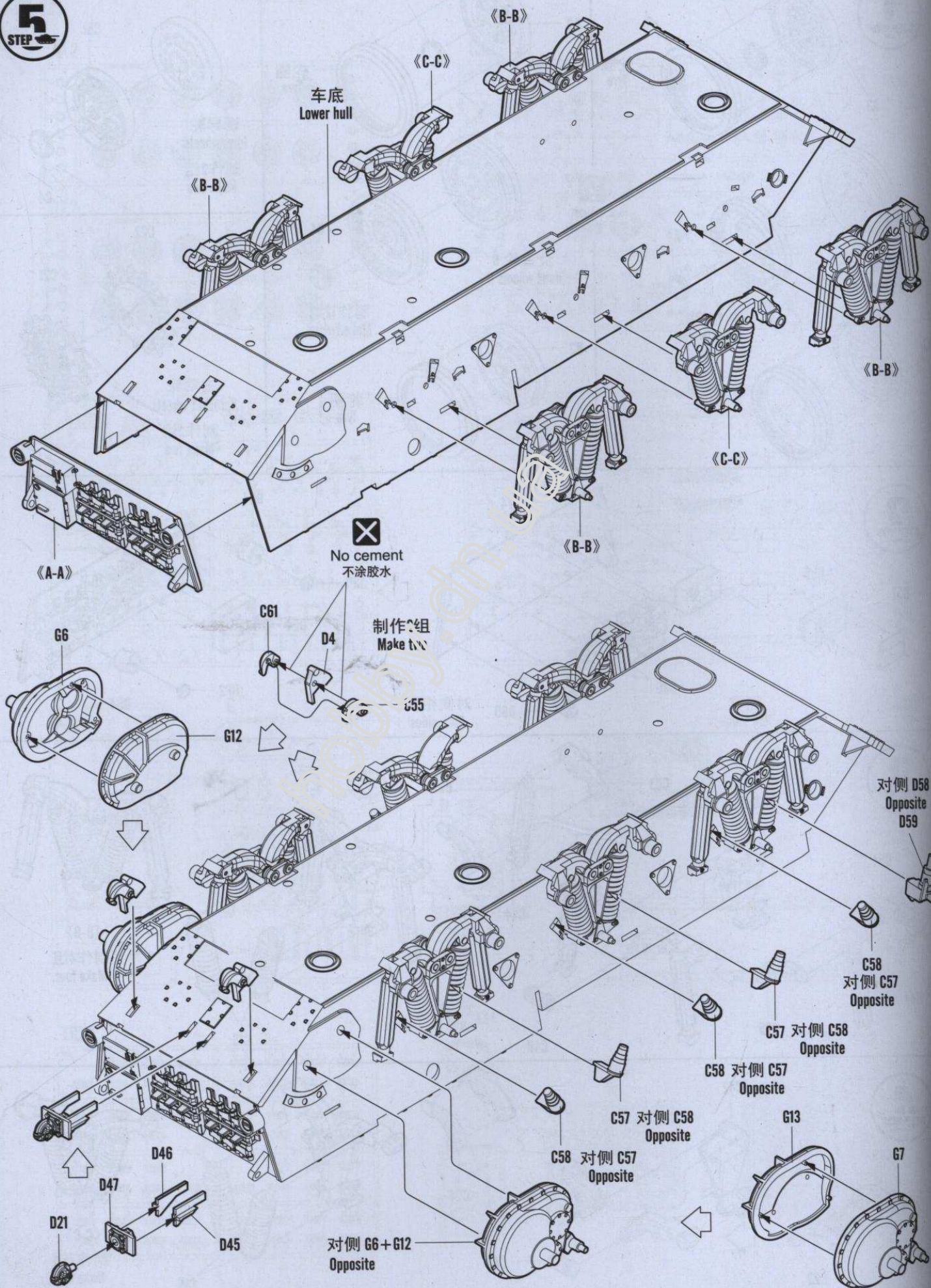
负重轮 A
Road wheels A



负重轮 B
Road wheels B



5
STEP



7
STEP

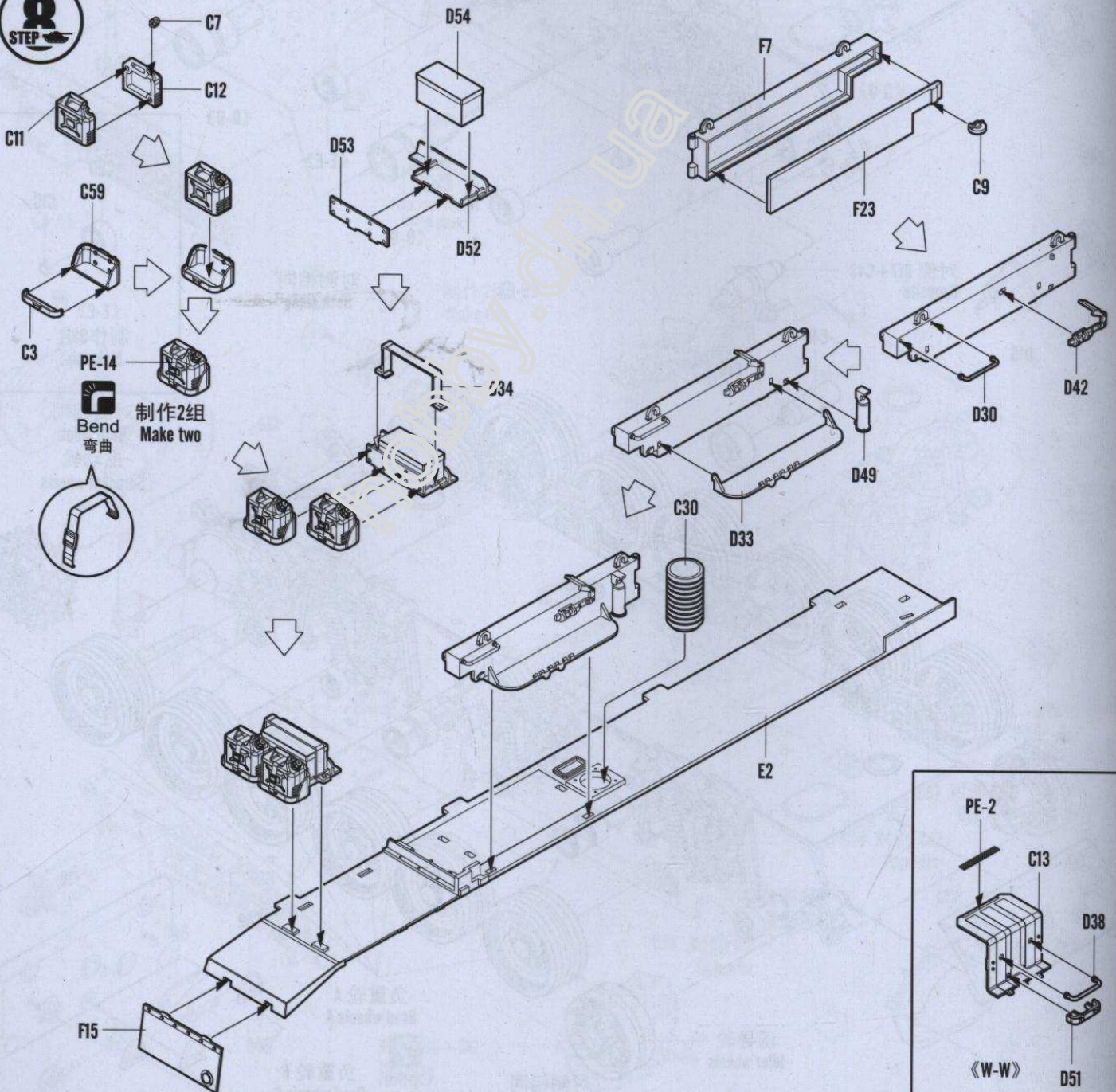
履带组装
Track assembly

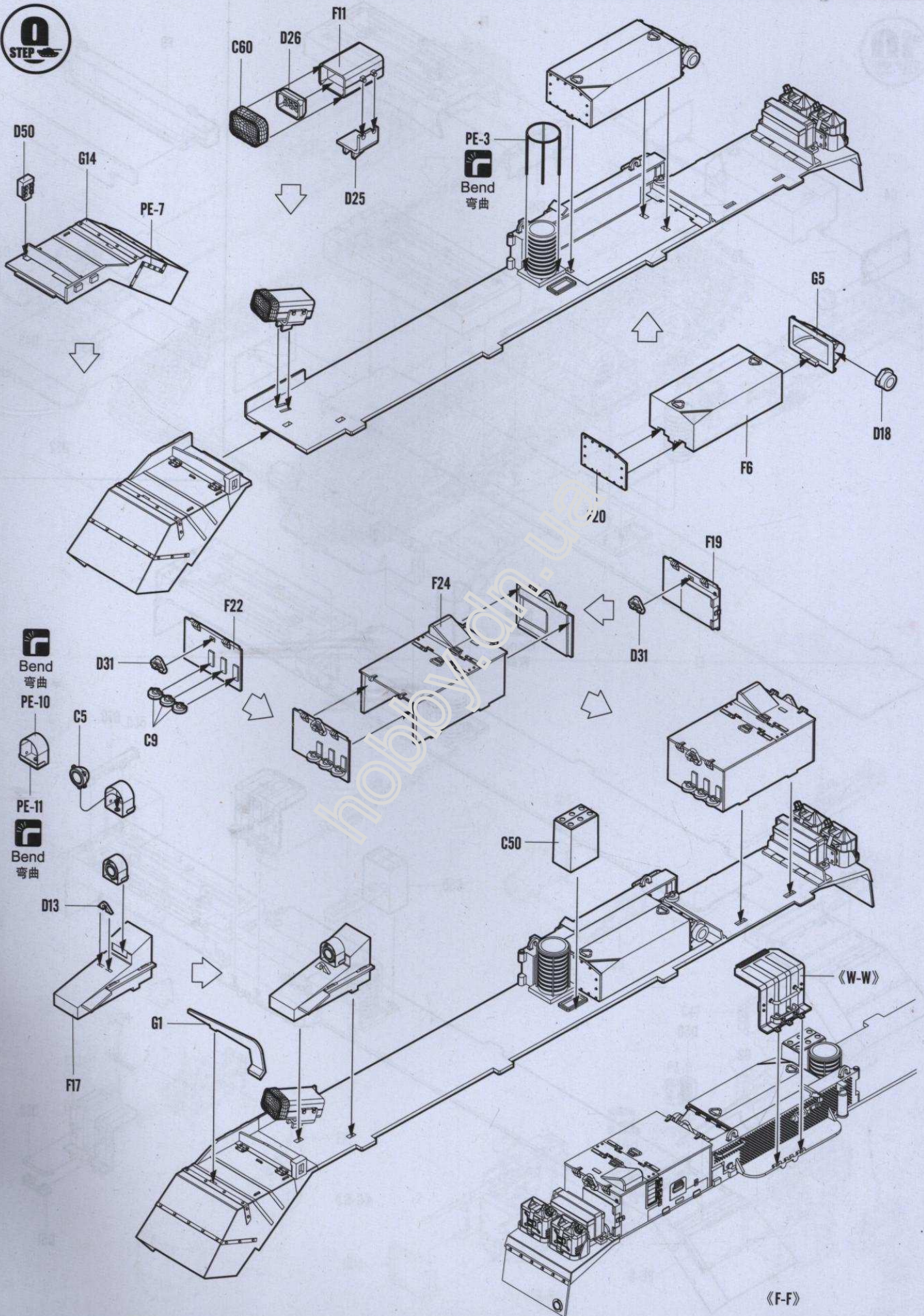
单侧履约需106节
Complete track for one side requirse 106 links



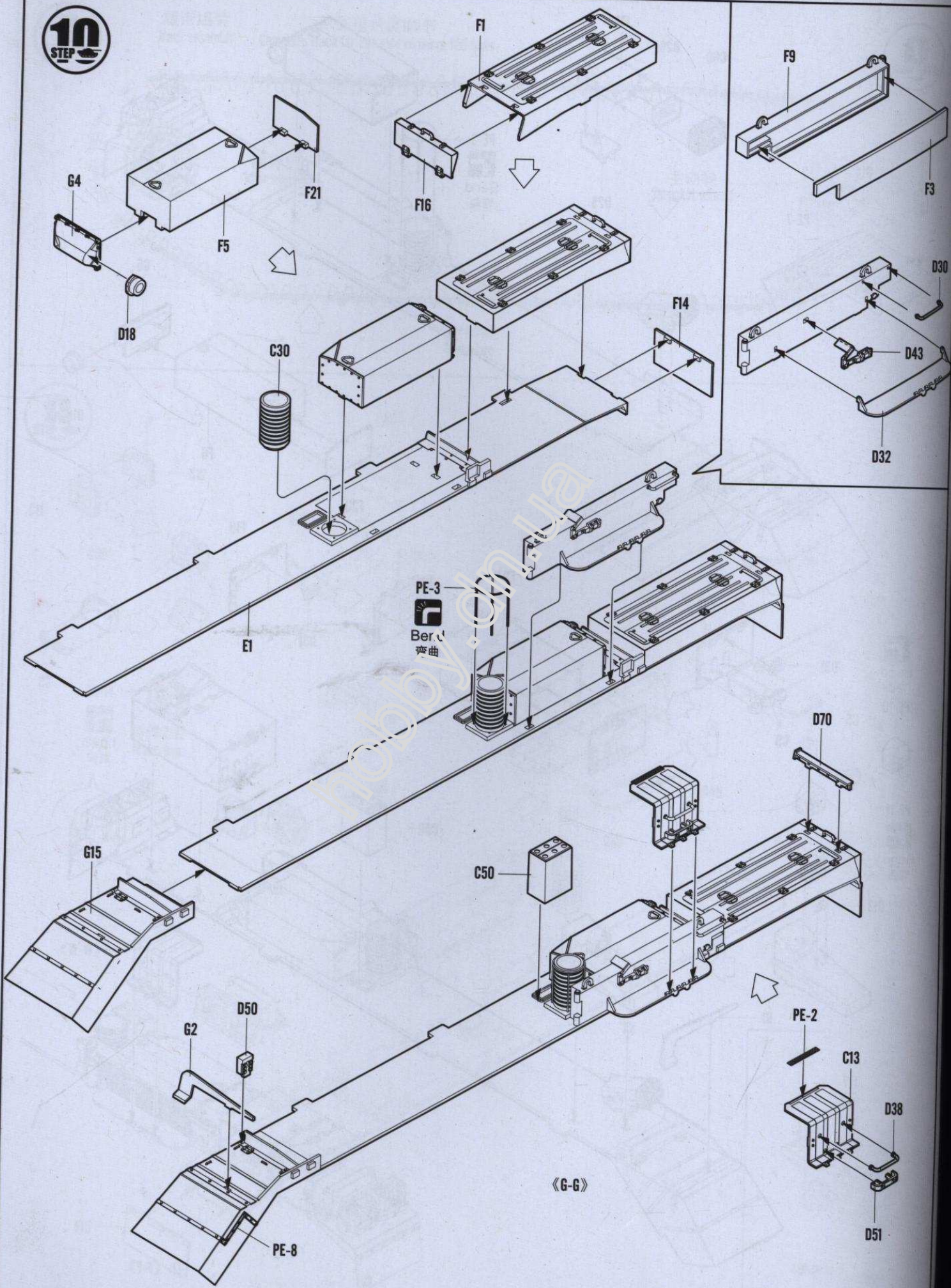
制作2组
Make two

8
STEP

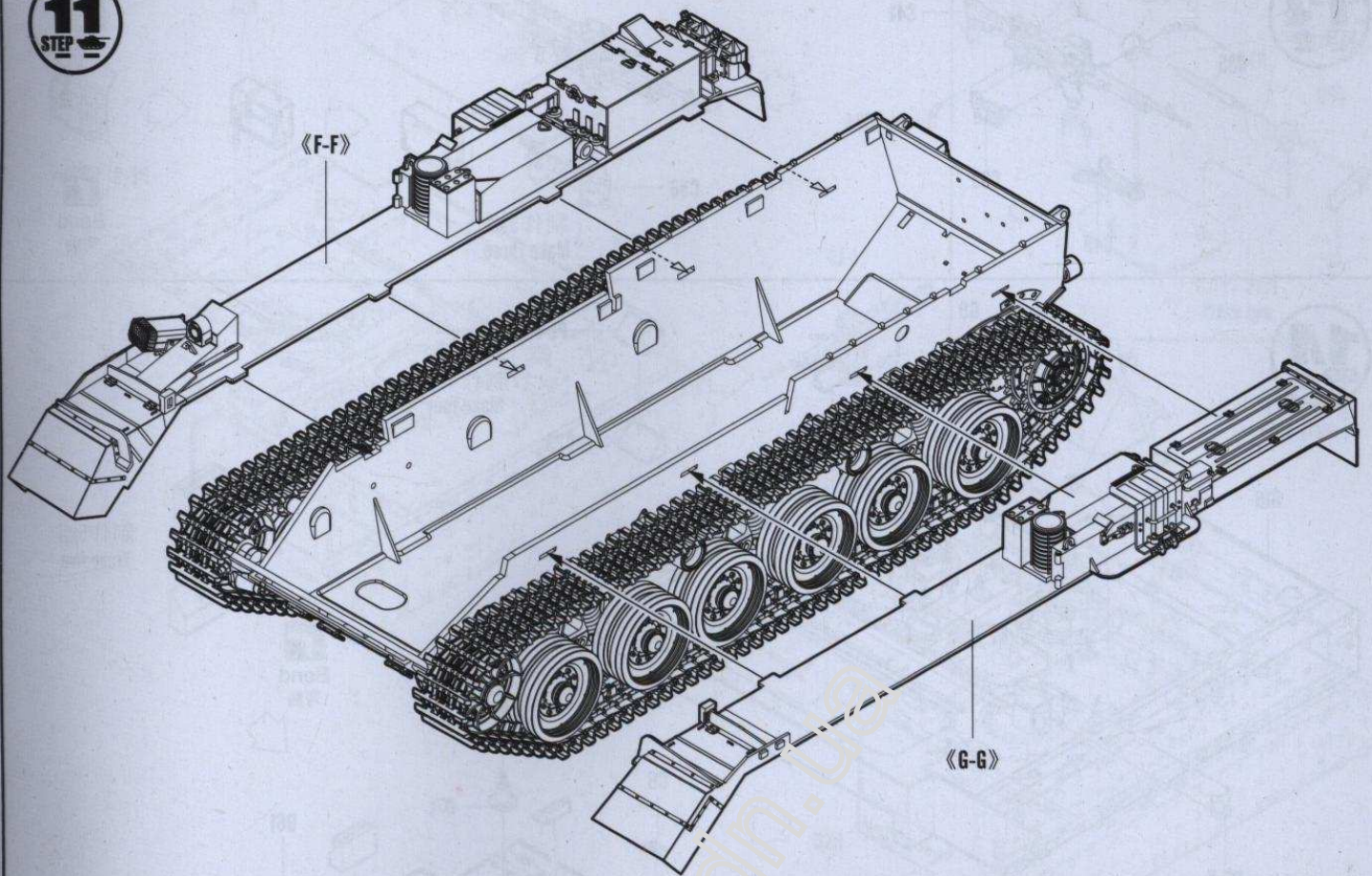




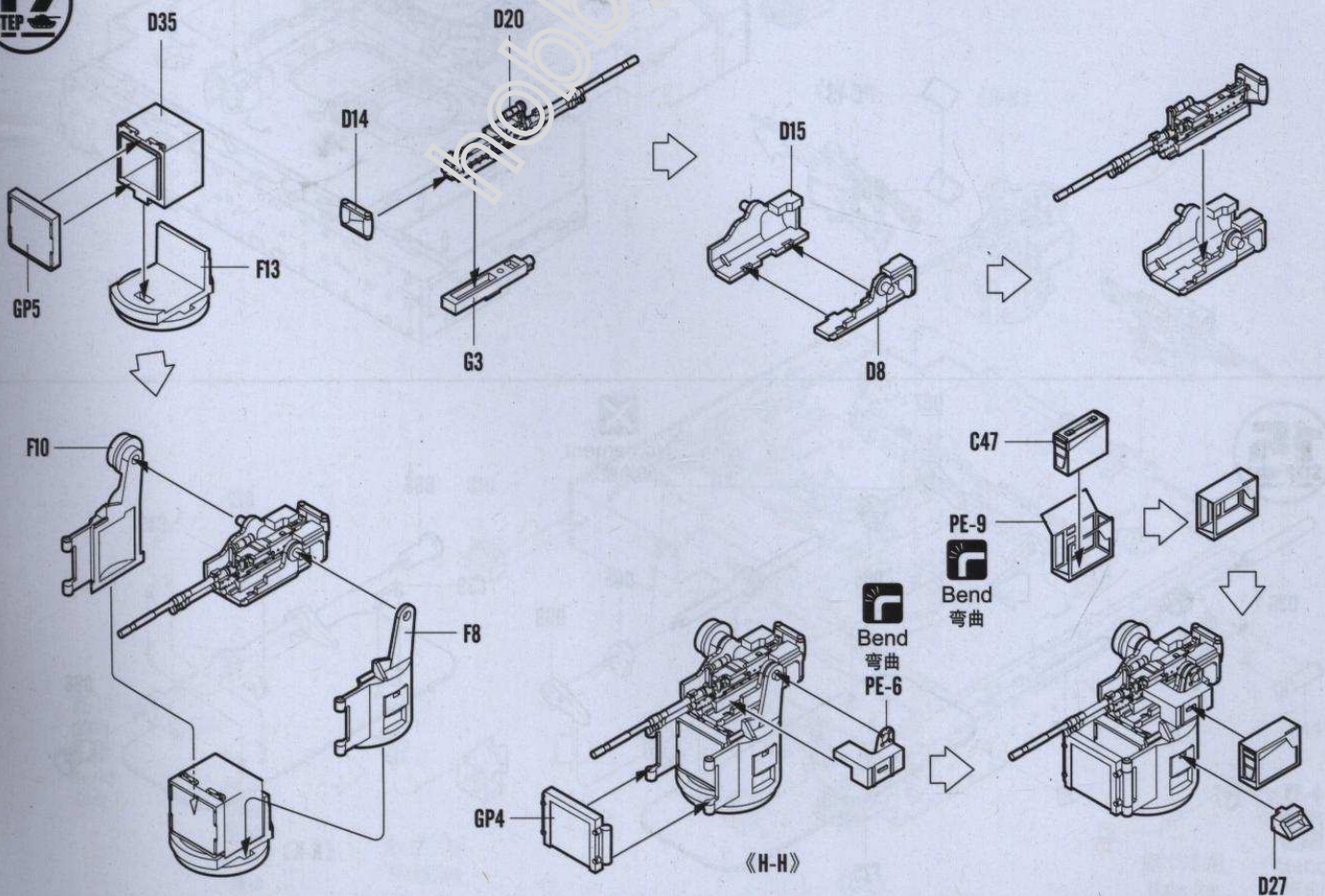
10
STEP



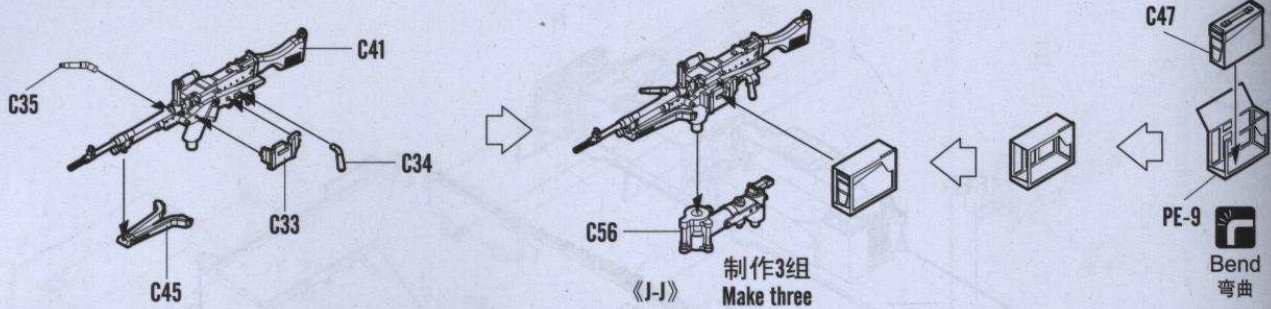
11
STEP



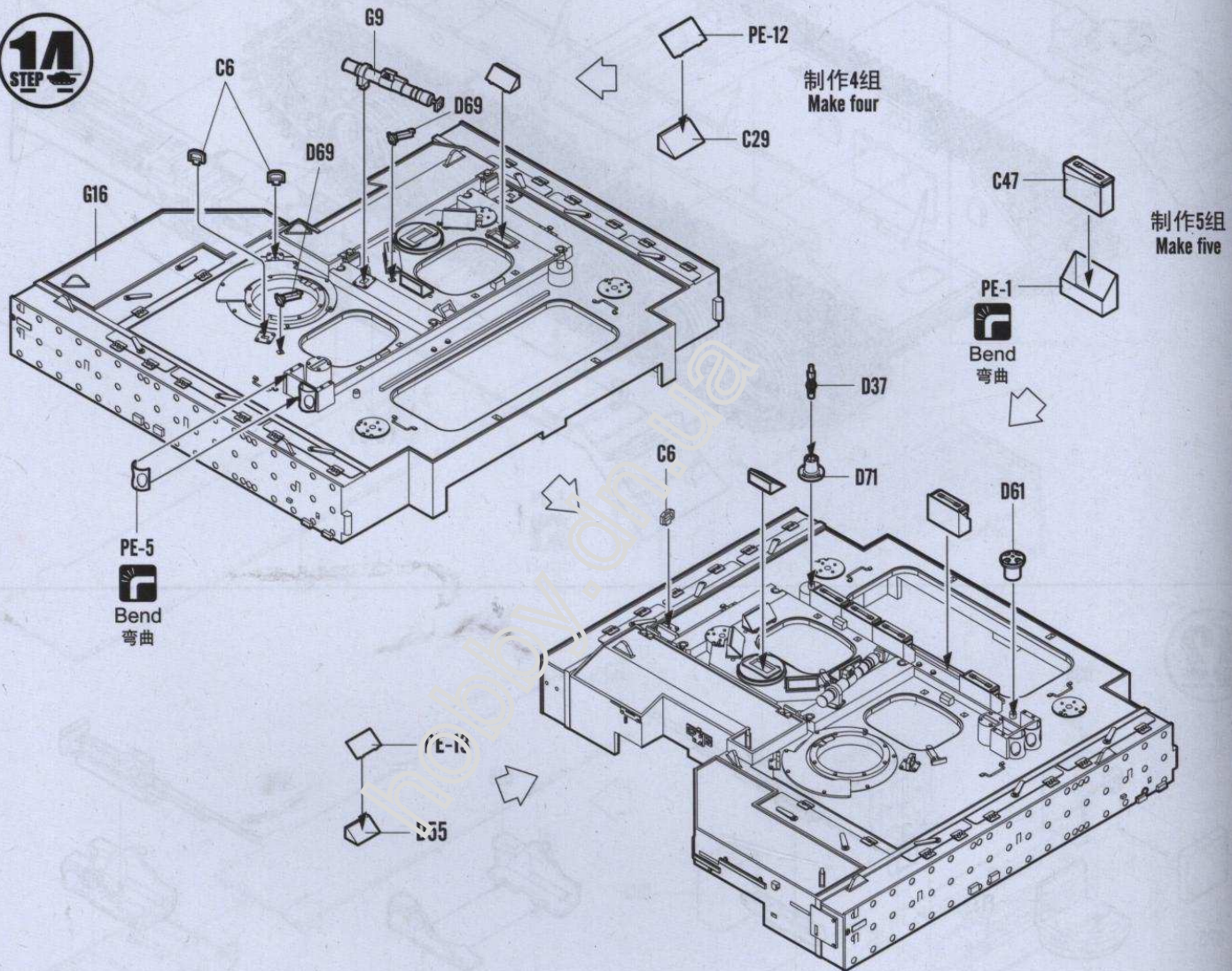
12
STEP



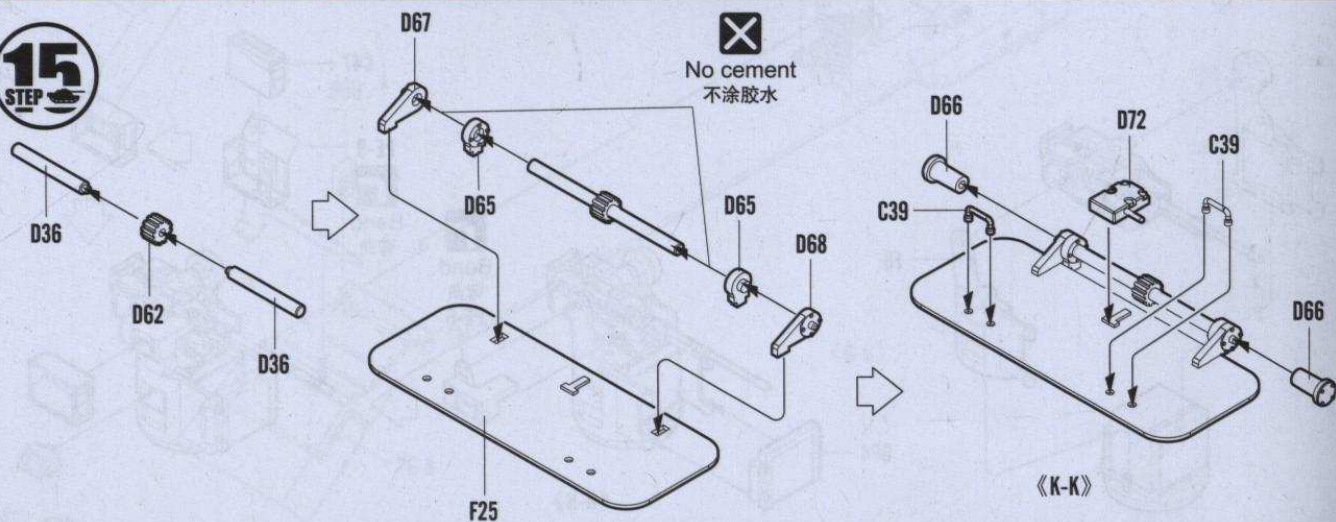
13
STEP



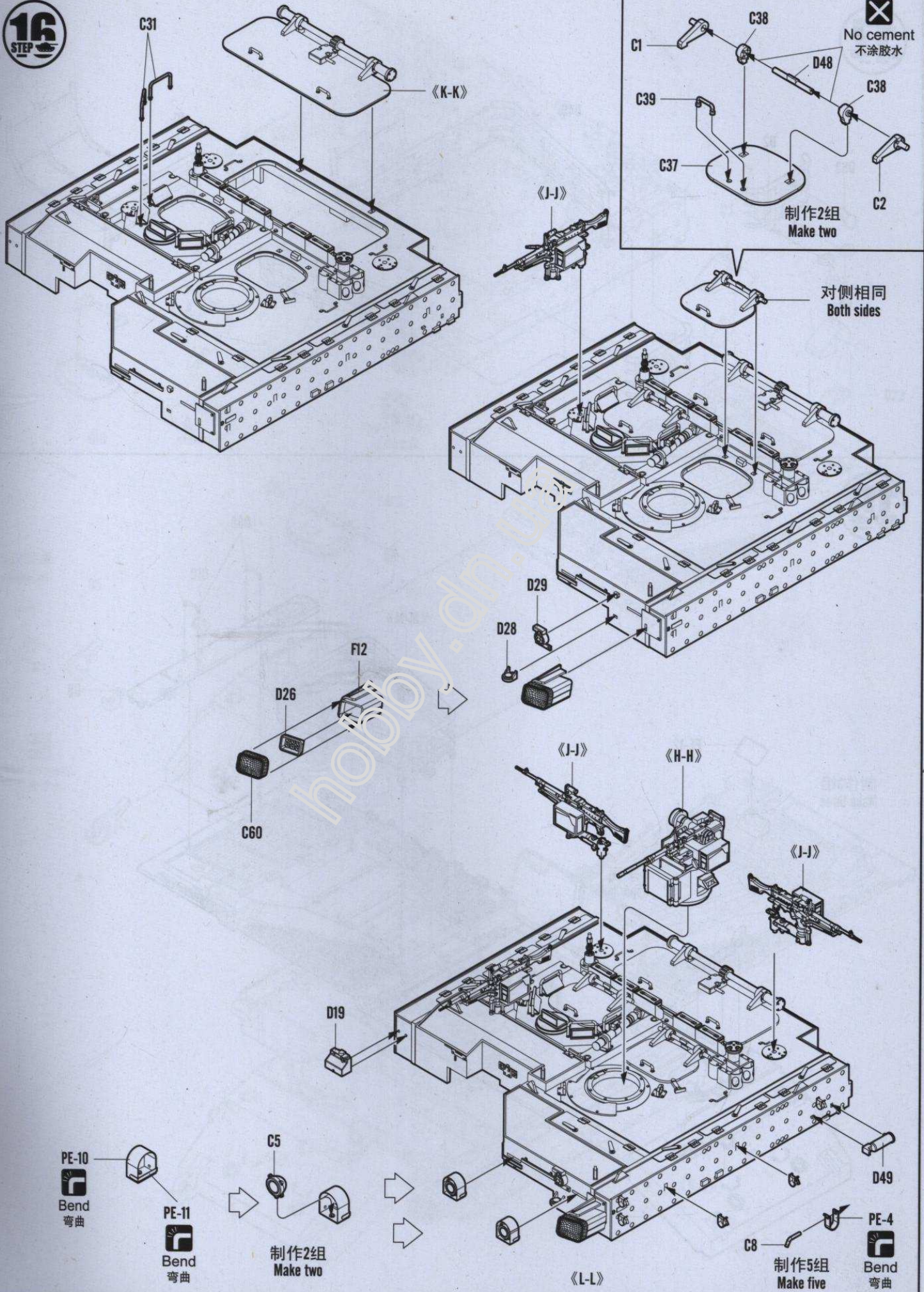
14
STEP



15
STEP



16
STEP



X
No cement
不涂胶水

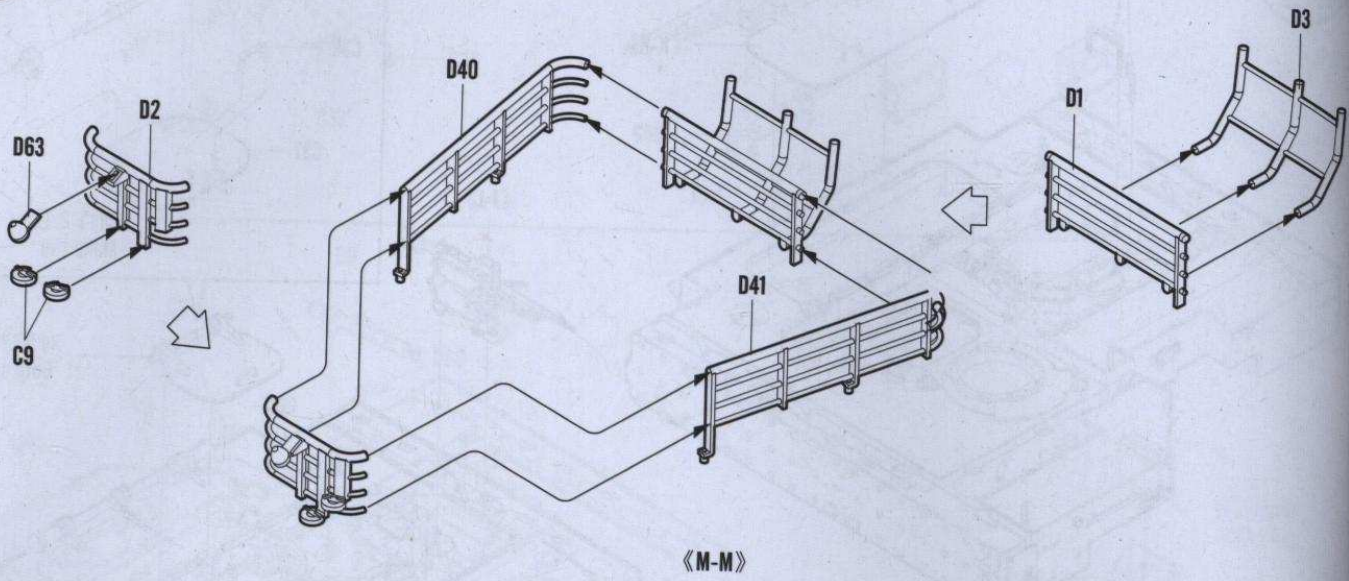
制作2组
Make two

对侧相同
Both sides

制作2组
Make two

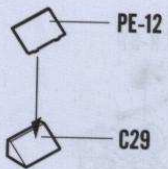
制作5组
Make five

17
STEP

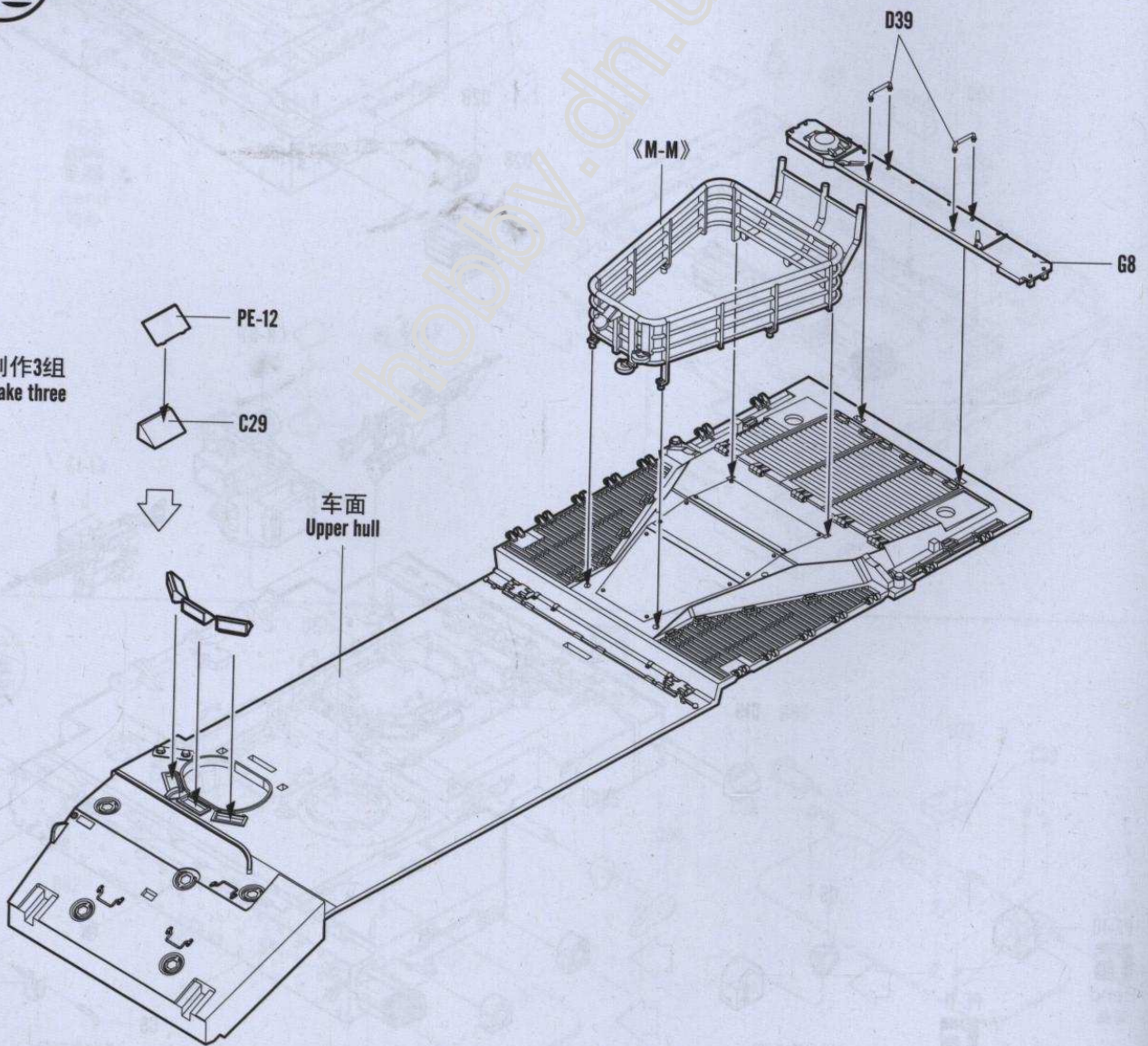


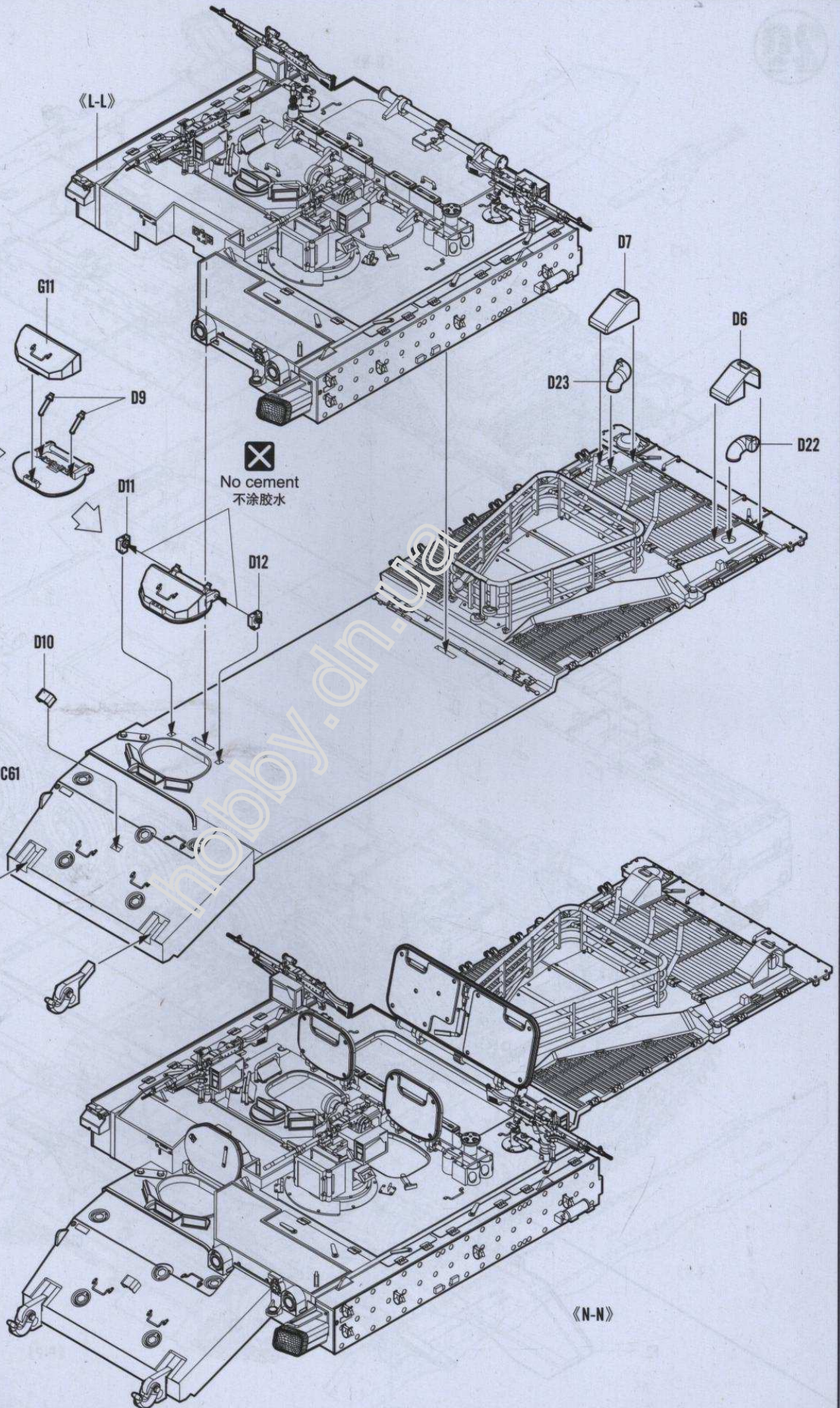
18
STEP

制作3组
Make three



车面
Upper hull



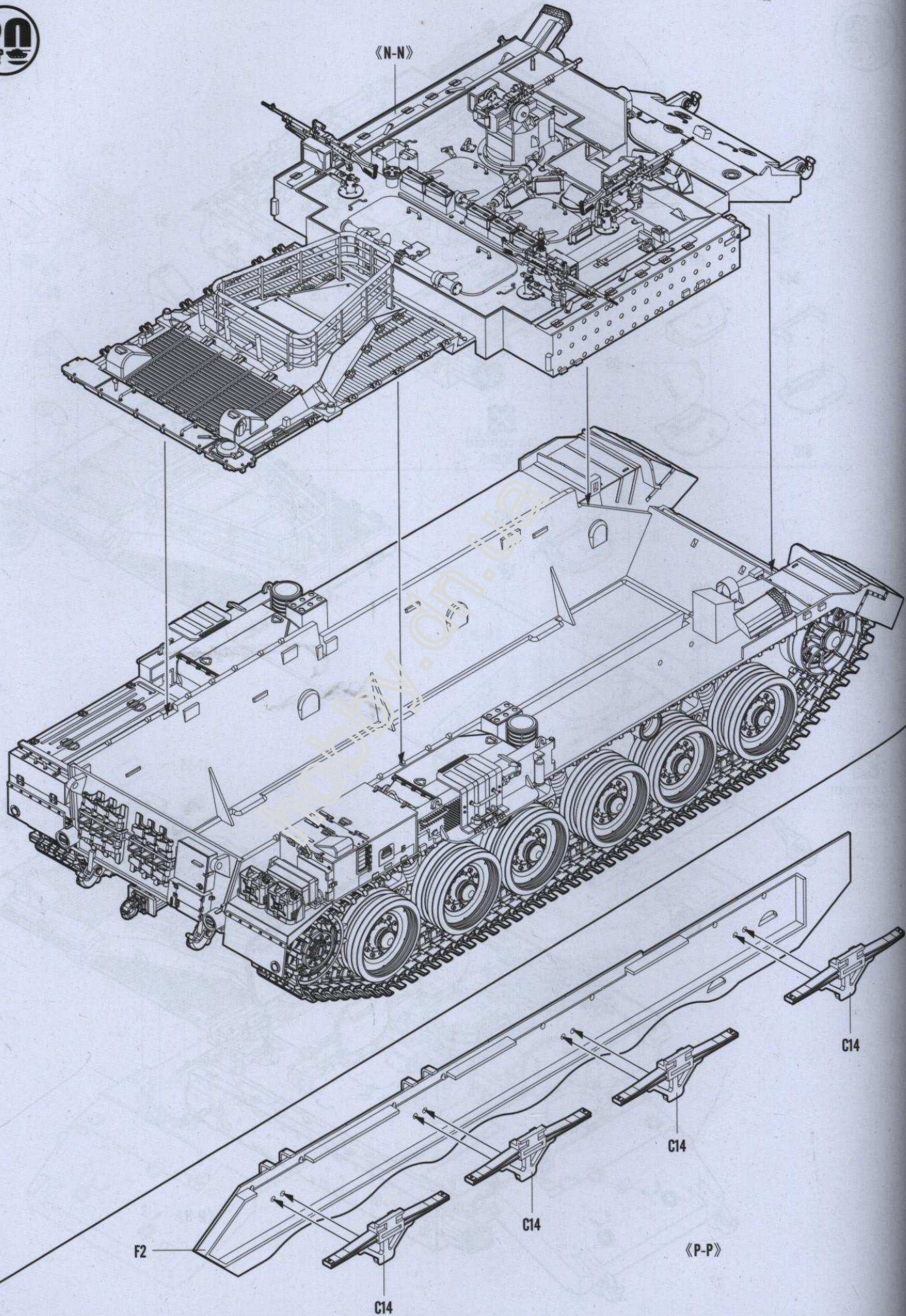


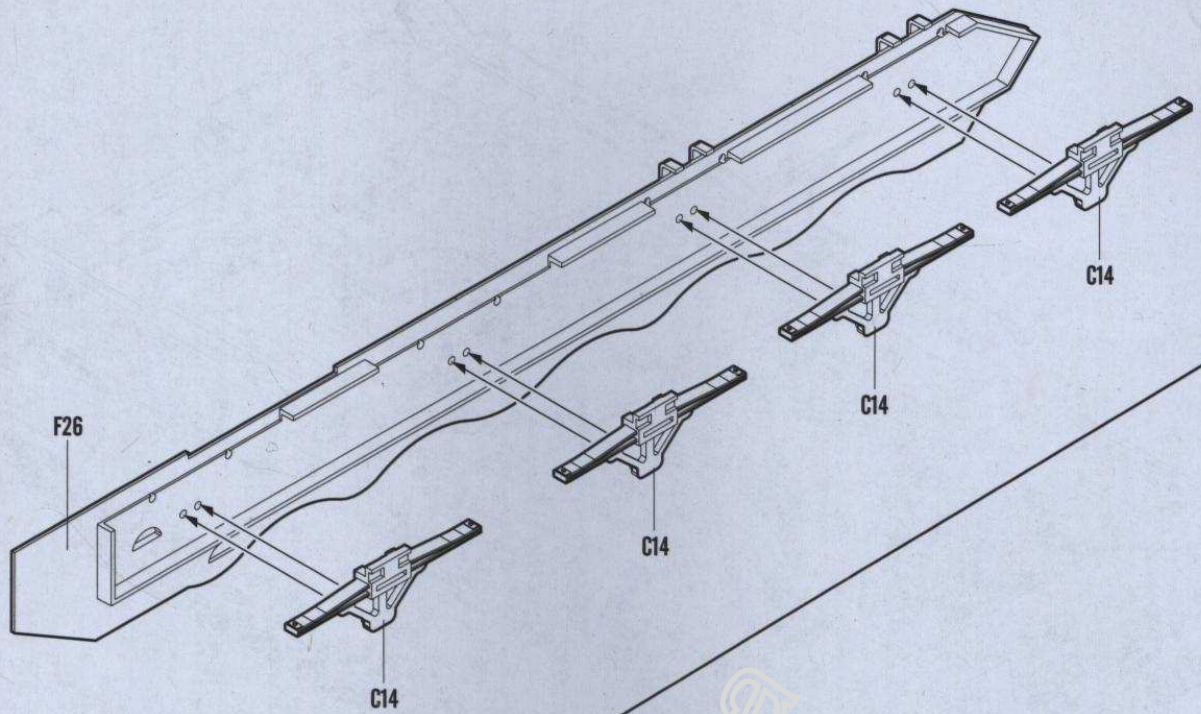
制作2组
Make two

⊗
No cement
不涂胶水

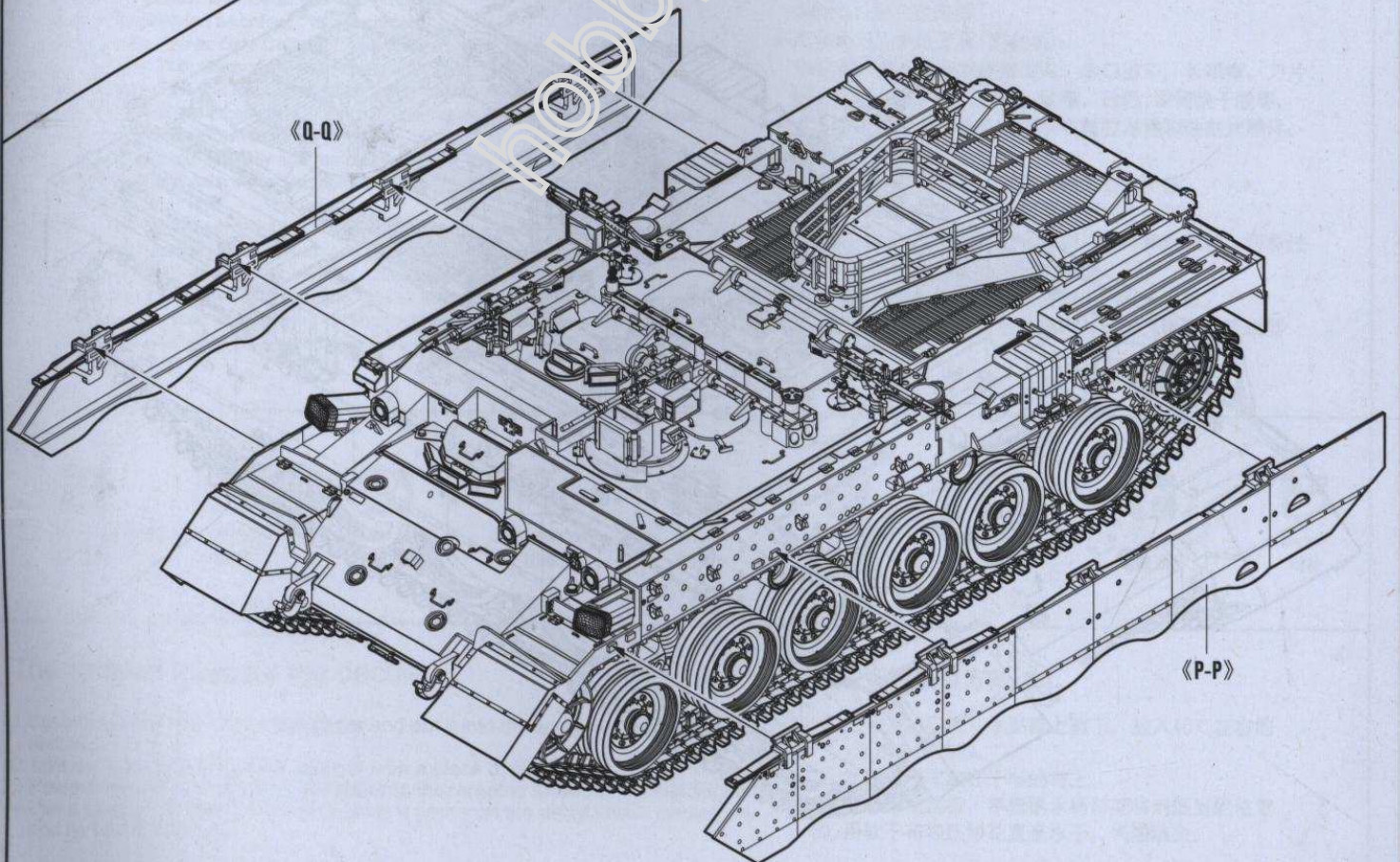
⊗
No cement
不涂胶水

<N-N>





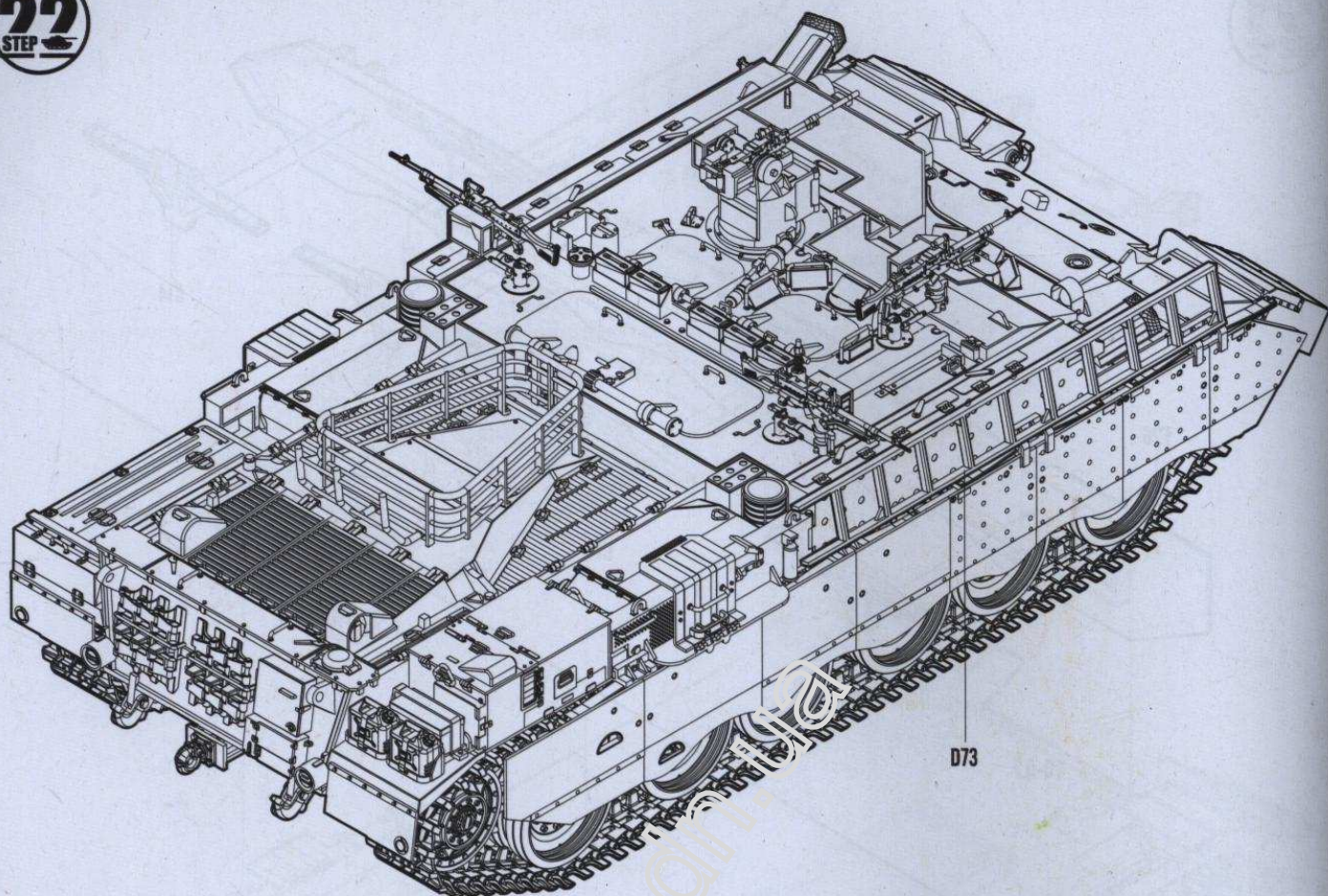
《Q-Q》



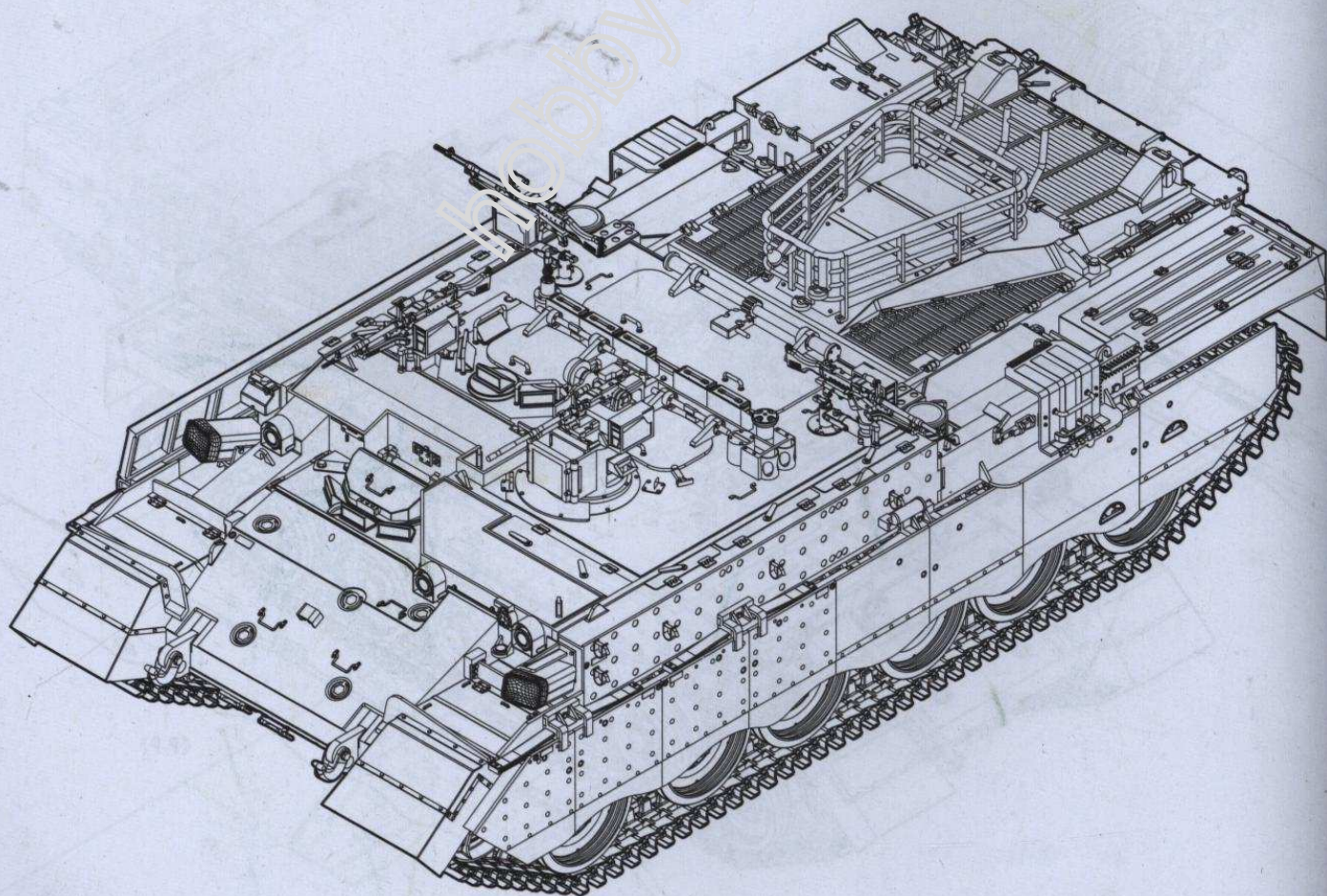
《Q-Q》

《P-P》

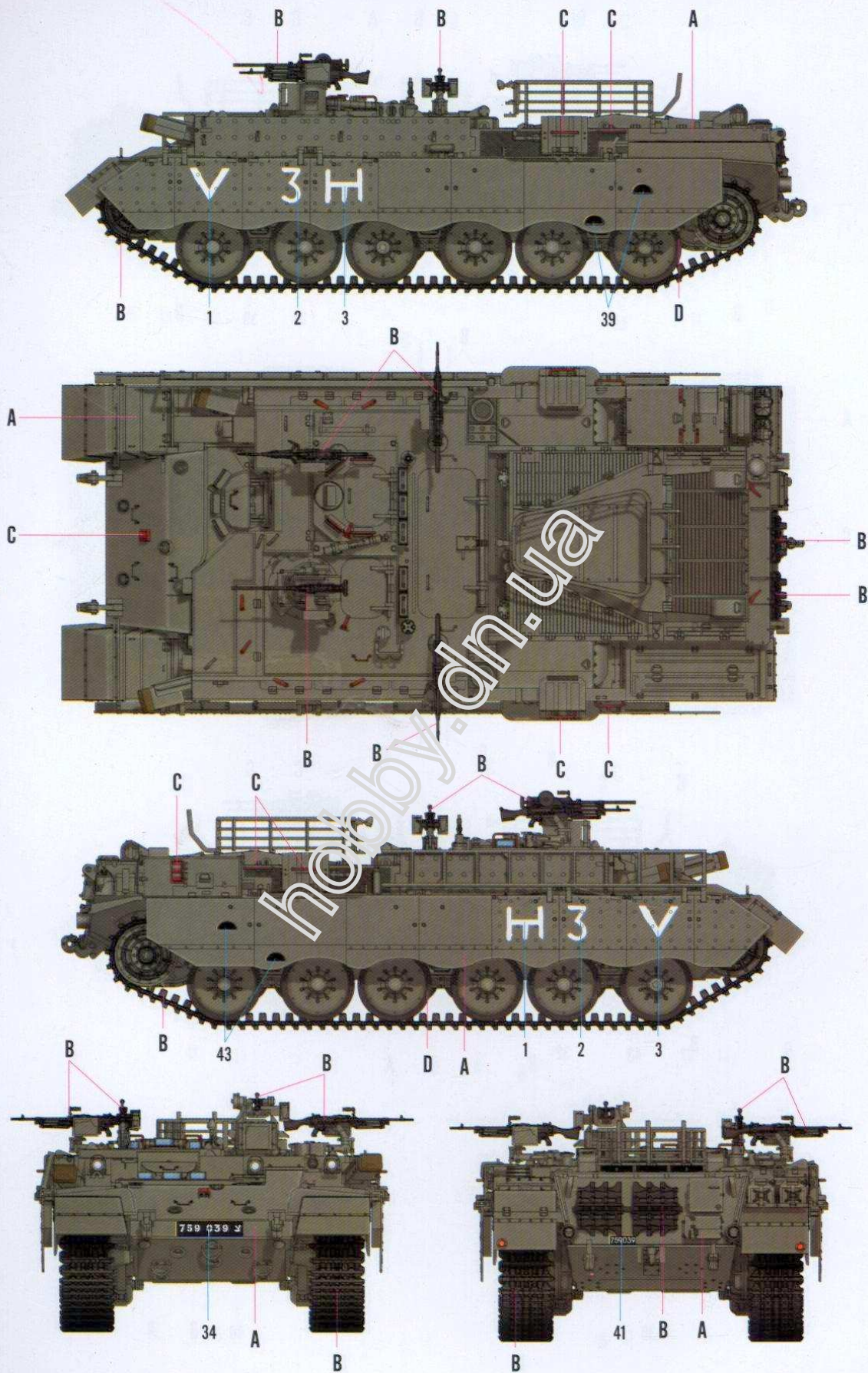
22
STEP



D73

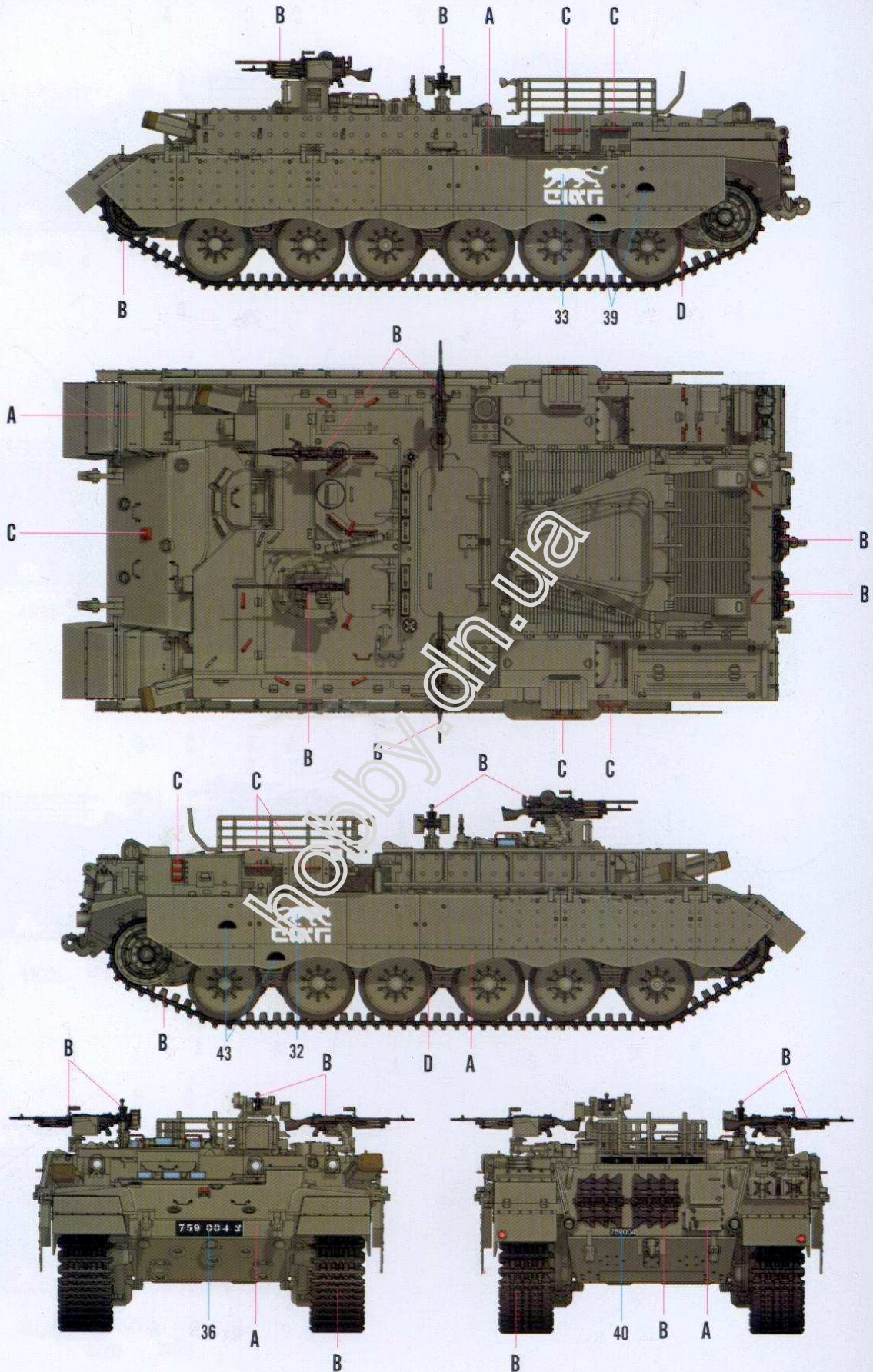


I

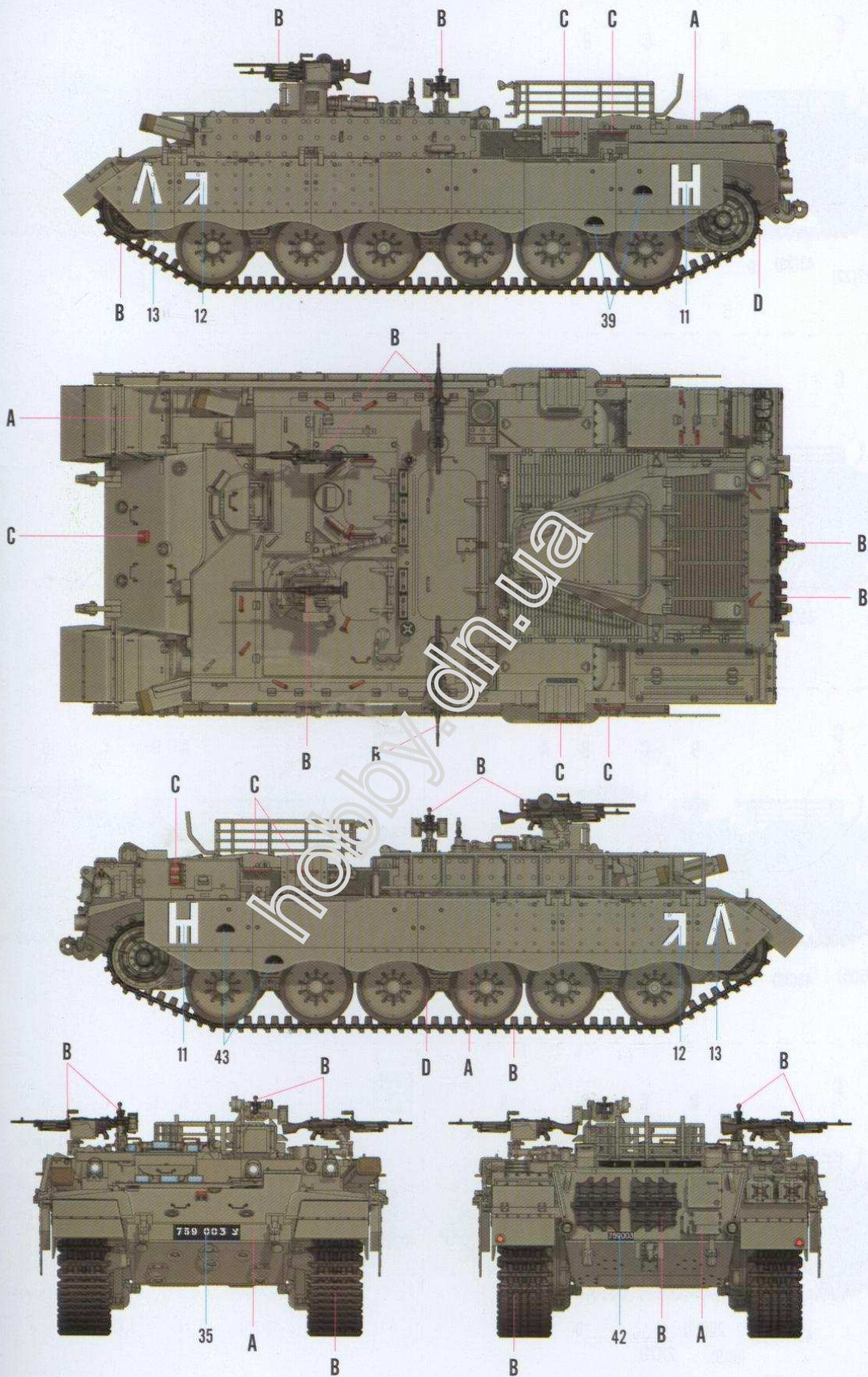


Color	Mr.Hobby	Vallejo	Model Master	Tamiya	Humbrol
A 西奈灰 Sinai Gray	H 70 60 + H 74 36	--	--	--	--
B 黑铁色 Steel	H 18 28	864	1402	--	--
C 红色 Red	H 3 3	908	1503	X7	19
D 胎黑色 Tire Black	H 77 137	--	--	--	--

II



	Color	Mr.Hobby	Vallejo	Model Master	Tamiya	Humbrol
A	西奈灰 Sinai Gray	H 70 60 + H 74 36	--	--	--	--
B	黑铁色 Steel	H 18 28	864	1402	--	--
C	红色 Red	H 3 3	908	1503	X7	19
D	胎黑色 Tire Black	H 77 137	--	--	--	--



Color	Mr.Hobby	Vallejo	Model Master	Tamiya	Humbrol
A 西奈灰 Sinai Gray	H[70] 60 + H[74] 36	--	--	--	--
B 黑铁色 Steel	H[18] 28	864	1402	--	--
C 红色 Red	H[3] 3	908	1503	X7	19
D 胎黑色 Tire Black	H[77] 137	--	--	--	--

标贴与涂装

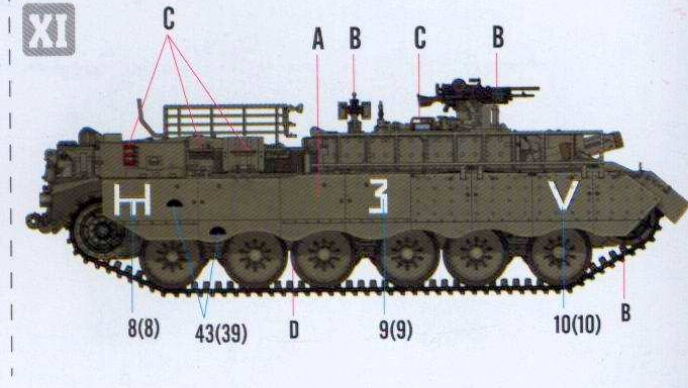
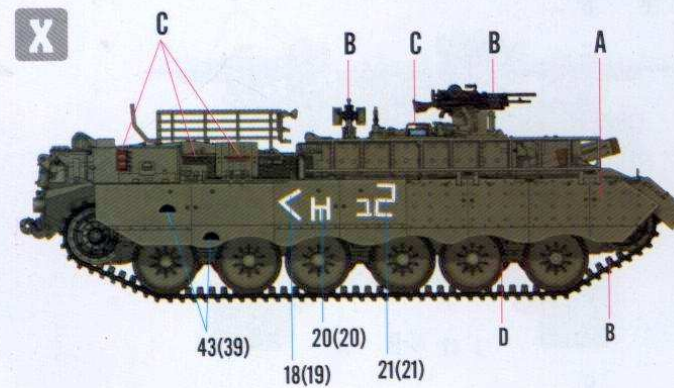
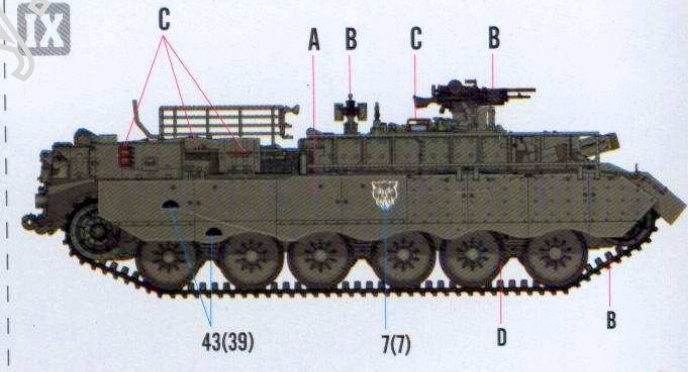
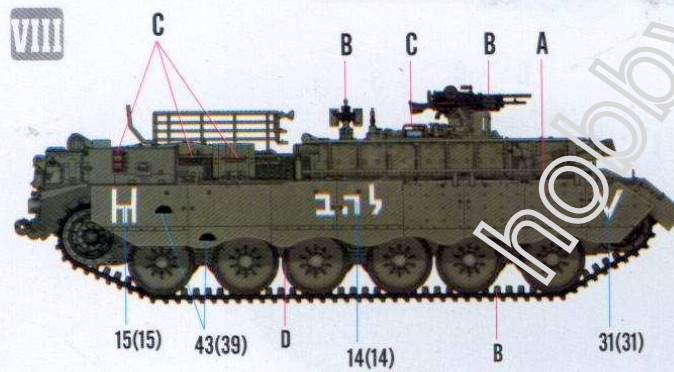
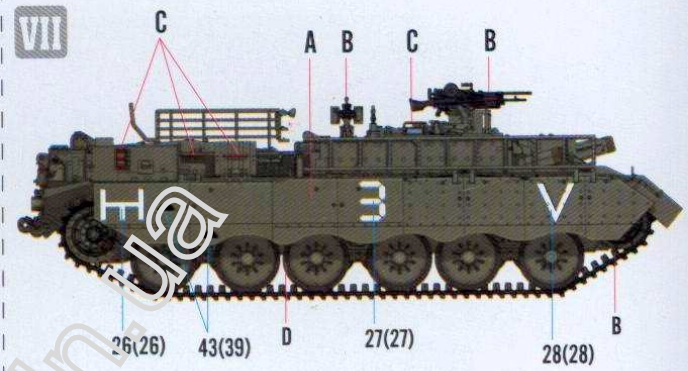
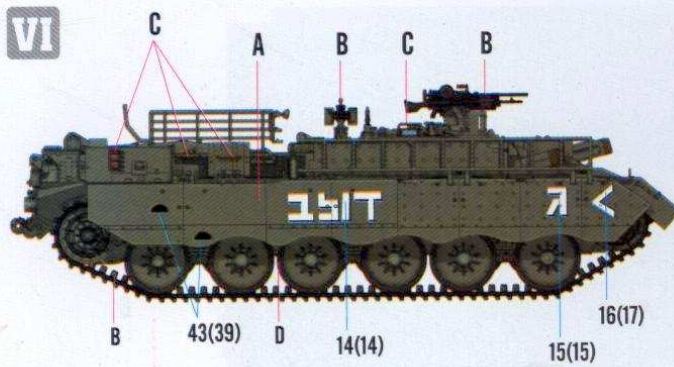
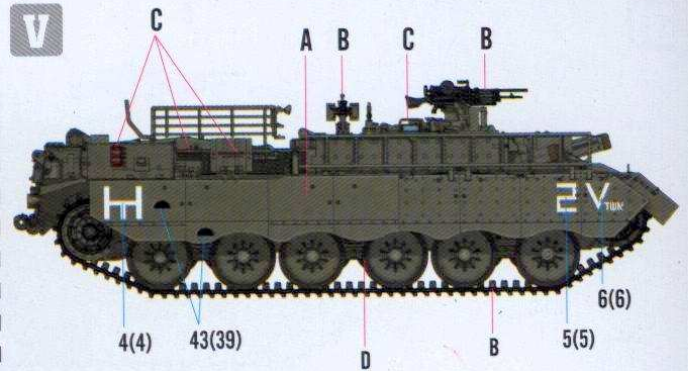
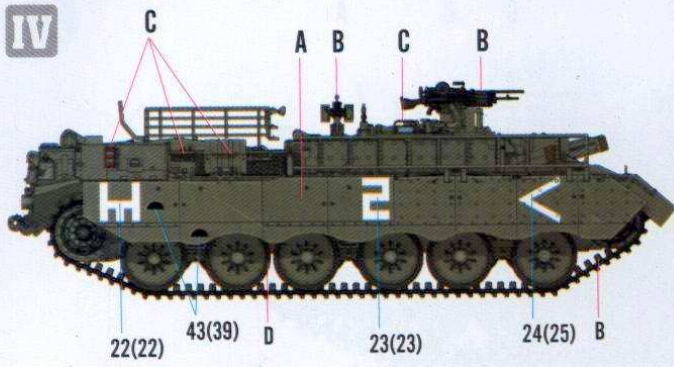
IDF APC PUMA



MARKING & PAINTING

イスラエル装甲兵員輸送車プーマ

以色列彪马装甲运兵车



Color	Mr.Hobby	Vallejo	Model Master	Tamiya	Humbrol
A 西奈灰 Sinai Gray	H 70 60 + H 74 36	--	--	--	--
B 黑铁色 Steel	H 18 28	864	1402	--	--
C 红色 Red	H 3 3	908	1503	X7	19
D 胎黑色 Tire Black	H 77 137	--	--	--	--

NO.:83868

※Some paints may not be available in your country. Please check your local hobby shop for substitute