

Plastic model kit containing 853 parts.

Wing span: 972mm Length: 664mm

1/32
SCALE



01E011

Avro Lancaster Dambuster

History of the Avro Lancaster






From failure to success. The four-engine Avro type 683 Lancaster was developed from the disappointing twin-engine Manchester, which suffered from engine fires caused by its unreliable Rolls Royce Vulture engine-installation.

However, the basic Manchester airframe was of sound design. A logical solution was to increase the wingspan and replace the two Vultures with four Merlin engines. The engine-installation originally developed by Rolls-Royce for the Beaufighter II, was quickly adapted and fitted in graceful underslung nacelles. The prototype BT308 made its first flight on January 9th, 1941 and it soon proved to be an excellent aircraft with good handling and high load capability. Initially designated Manchester III, it was soon renamed Lancaster. The general outline of the Lancaster remained the same throughout production, apart from the MK II which used Bristol Hercules radial engines, in case a shortage of the Merlin should arise. The Mk I and III were similar, differing only in the type of

Merlin engine fitted. In the case of the Mk III, the Packard built Merlin 28 was utilised. The Lancaster began to equip bomber squadrons in early 1942, where it quickly became the backbone of RAF Bomber Command.

The type was used in many famous raids, such as on the M.A.N. factory in Augsburg, the spectacular Dambusters Raid on the Ruhr Valley dams, and sinking the "Tirpitz" to name but a few. It became famous for its use in high accuracy bombing operations by 617 squadron. Its 33-foot-long bomb bay enabled it to carry high loads as well as the spinning "Upkeep" mine used to break the Ruhr dams. Specially adapted aircraft could carry the massive 12.000 lb "Tallboy" and 22.000 lb "Grand Slam" earthquake bombs.

At the end of the war it was also used for food dropping sorties for the starving Dutch population and transporting the many prisoners of war back home from Germany. Postwar Lancasters were used for testing jet engines and in-flight refueling system. As a bomber it was gradually replaced, but it found a useful role in Coastal Command until the last one was withdrawn in October 1956. The RCAF and French l'Aéronavale, however, continued to use the Lancaster until the mid-sixties. A total of 7,377 Lancasters were built in the UK and Canada.

-  BE CAREFUL
-  REMOVE
-  GLUE TOGETHER
-  PLEASE WAIT FOR A FEW MINUTES UNTIL DRY
-  MAKE 2 PIECES
-  DRILL HOLE
-  DO NOT GLUE
-  INSTANT GLUE FOR METAL
-  BEND
-  FILL HOLE
-  SEQUENCE OF WORK
-  OPTIONAL
-  USED COLOUR
-  APPLY DECAL
-  MARKING OPTION

CAUTION

When using both glue and paint, do not use these near an open flame, due to the flammable properties of these items.

The symbols provided, such as 'X', refer to the basic colours of parts, although a more comprehensive list is supplied for your use for Tamiya, Mr Hobby and AK-Interactive codes.

When removing parts from sprues, take extreme care. Consider correct tools such as Xuron Sprue Cutters

Please check the symbology on the left and familiarise yourself before building this model kit.

In cooperation with:



www.ak-interactive.com

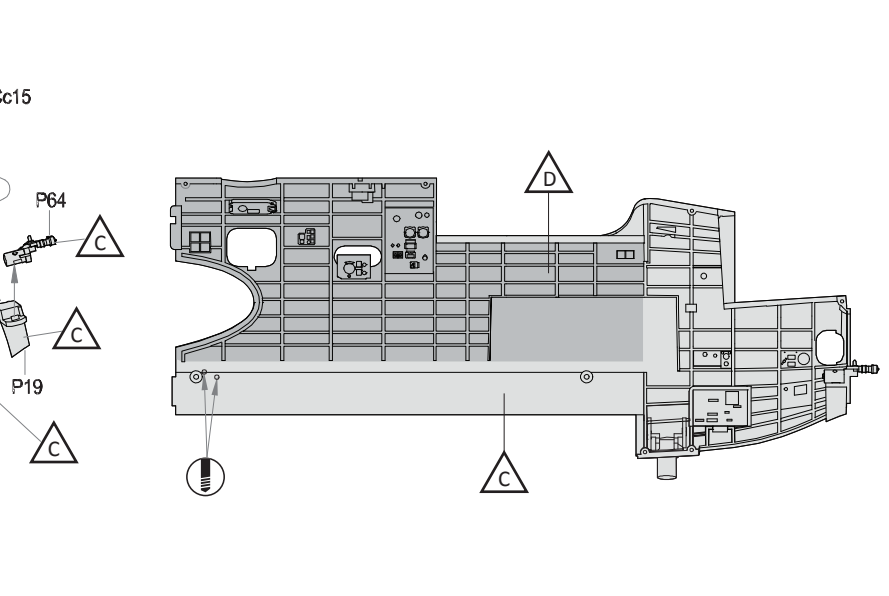
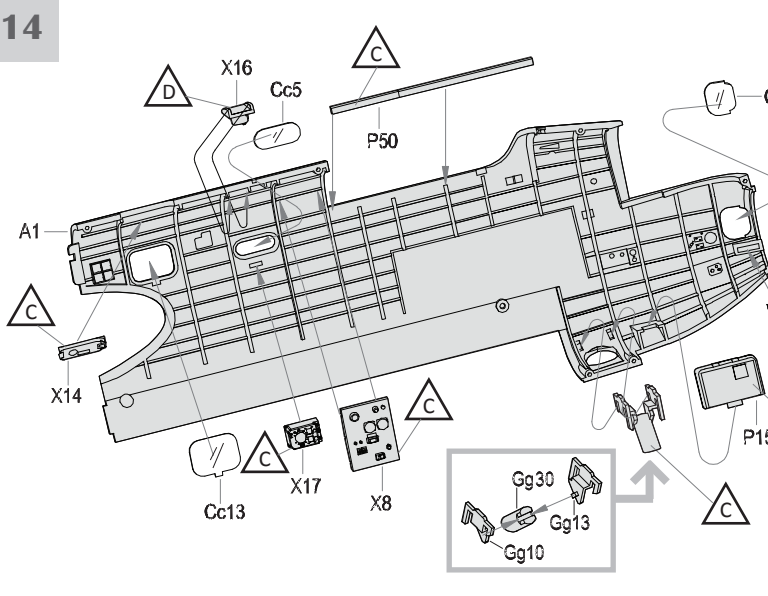
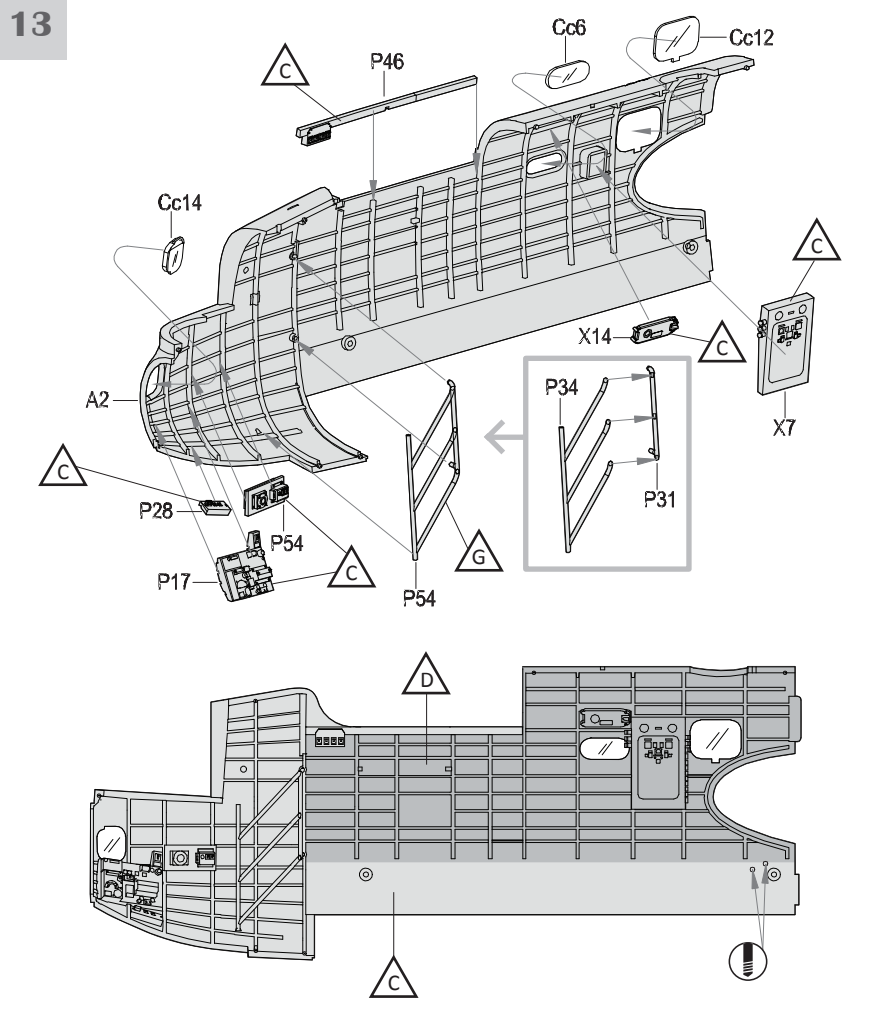
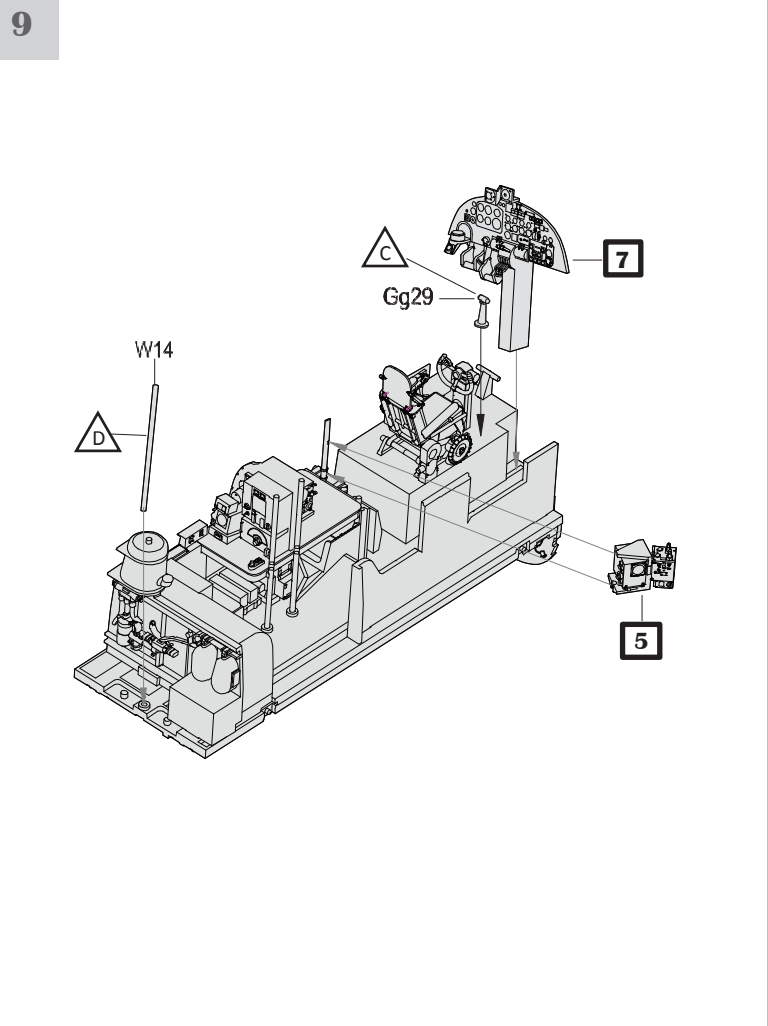


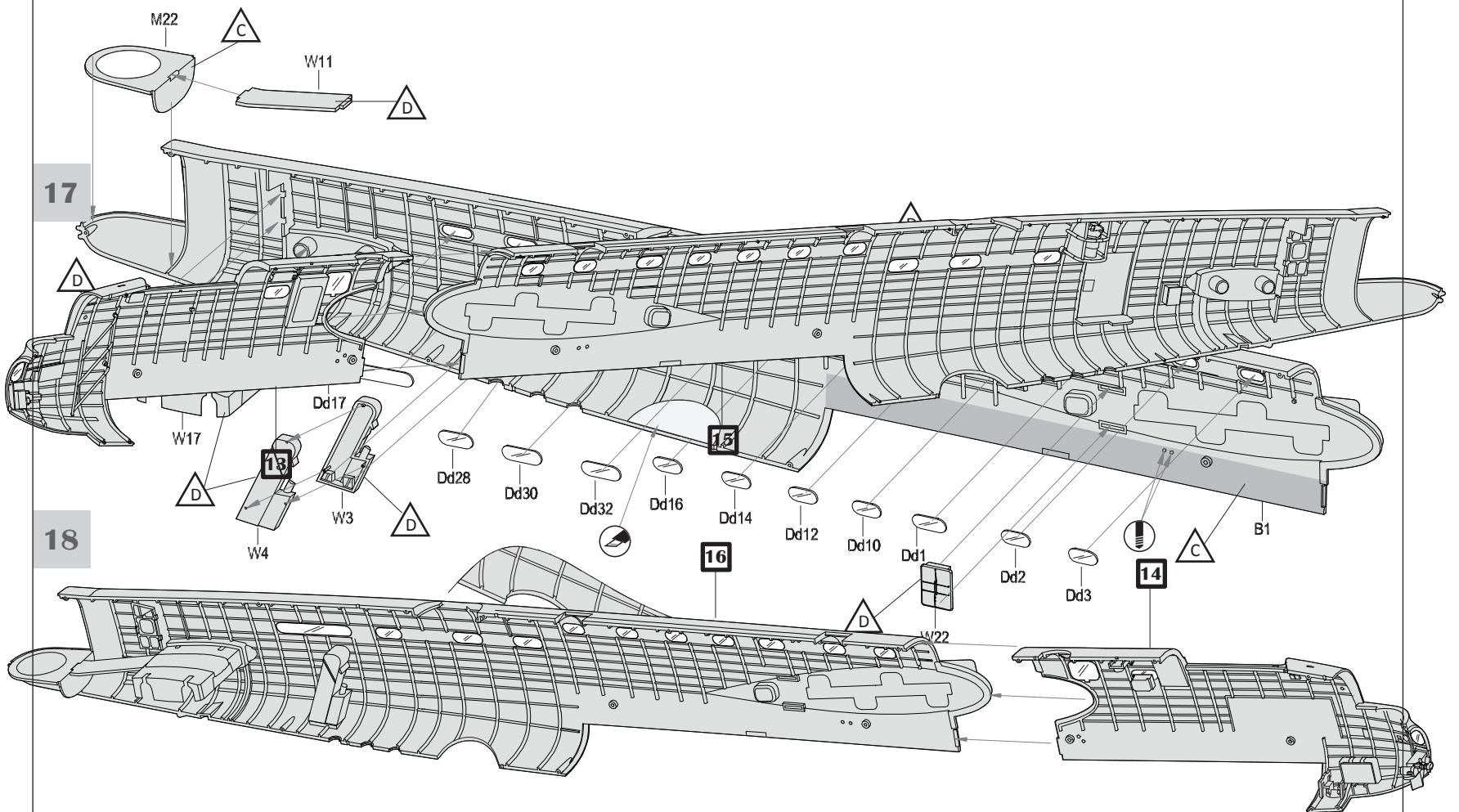
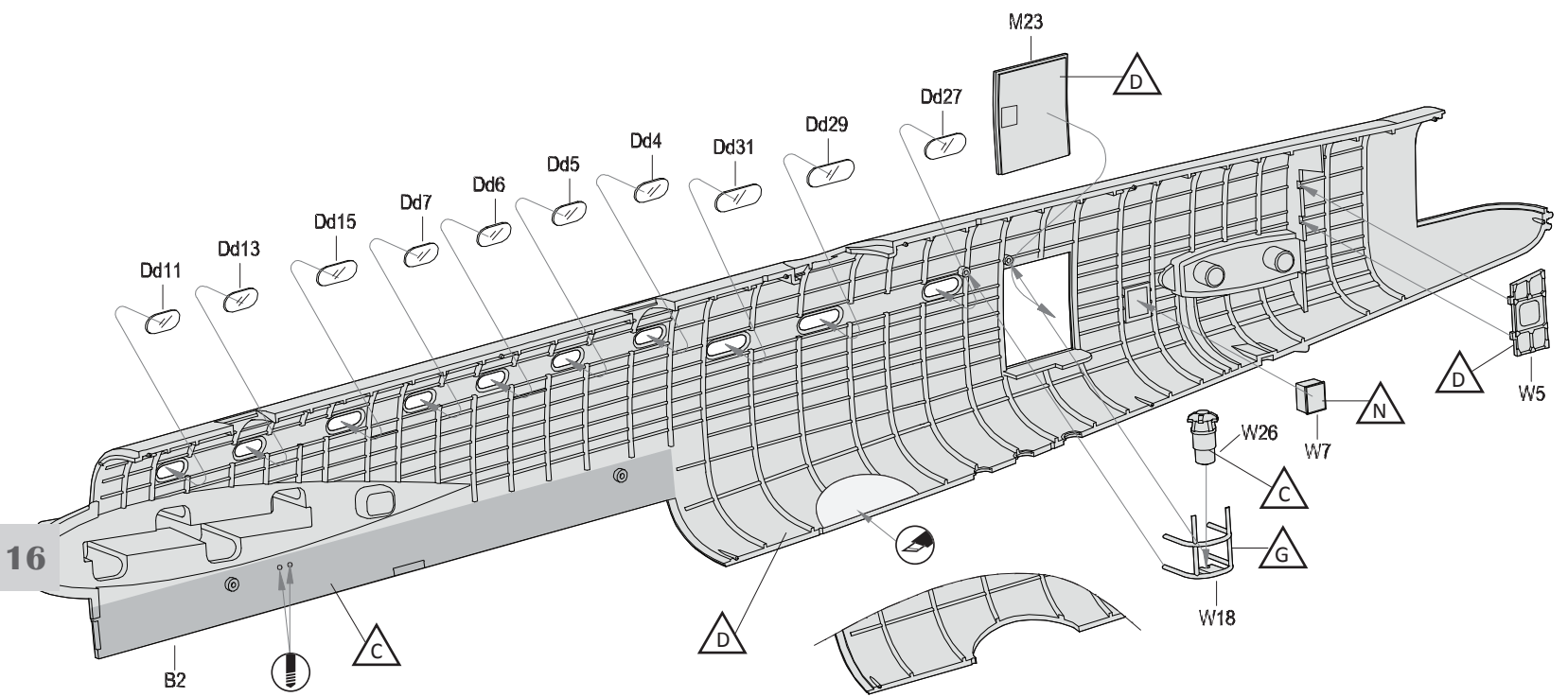
Large Scale Modeller

www.largescalemodeller.com

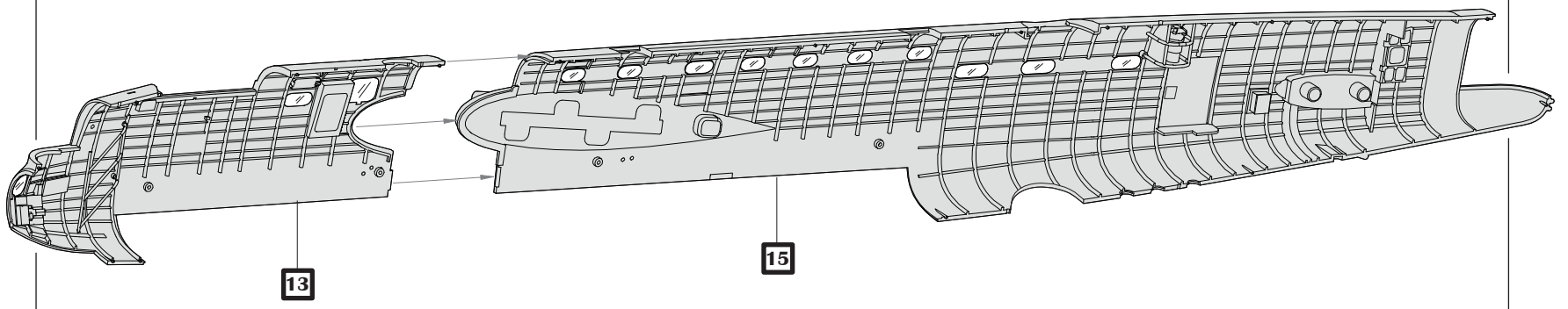
This small instruction booklet is used to build 'Dambuster', follows the main instruction of the Lancaster Mk 1, with the exception of the following steps:

- 9** Add part Gg29 at the end of step 9
- 13** Drill holes for new parts
- 14** Drill hold for new parts and the installation of additional parts
- 15** Drill holes for new parts, and cut semi-circular hole at rear fuselage
- 16** Drill holes for new parts, and cut semi-circular hole at rear fuselage
- 17** Updated diagrams showing the new parts added, holes drilled and apertures cut out
- 18** Updated diagrams showing the new parts added, holes drilled and apertures cut out
- 19** Updated diagrams showing the new parts added, holes drilled and apertures cut out
- 21** Deleted as no turret on top of fuselage for Dambuster
- 24** Deleted as **no 1,000 ponds bombs** are needed for Dambuster
- 25** Deleted as **no 4,00 pound Cookie blast bomb** are needed for Dambuster
- 27** Replaced with new Step 27
- 67 – 70** Step 67 onward, follow this instruction to build the Dambuster

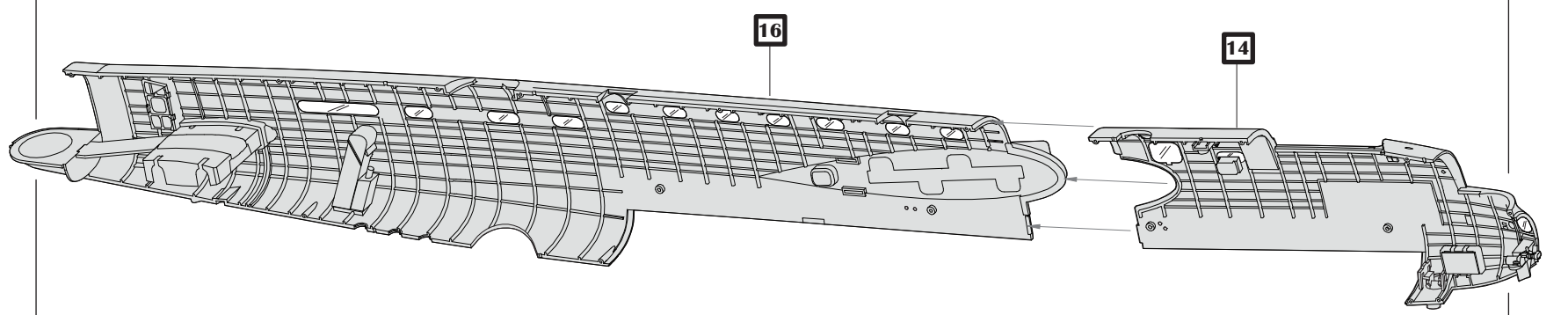




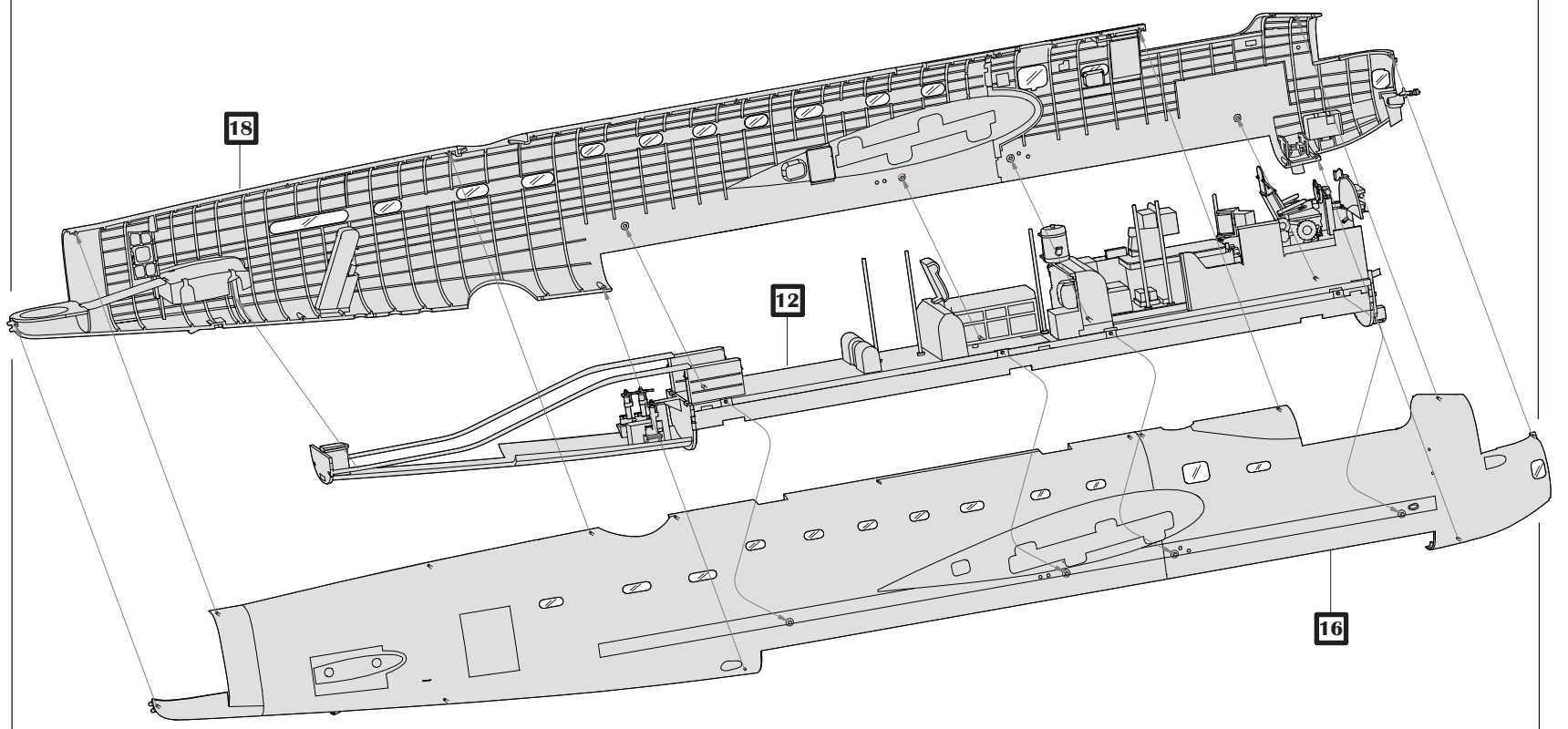
17



18

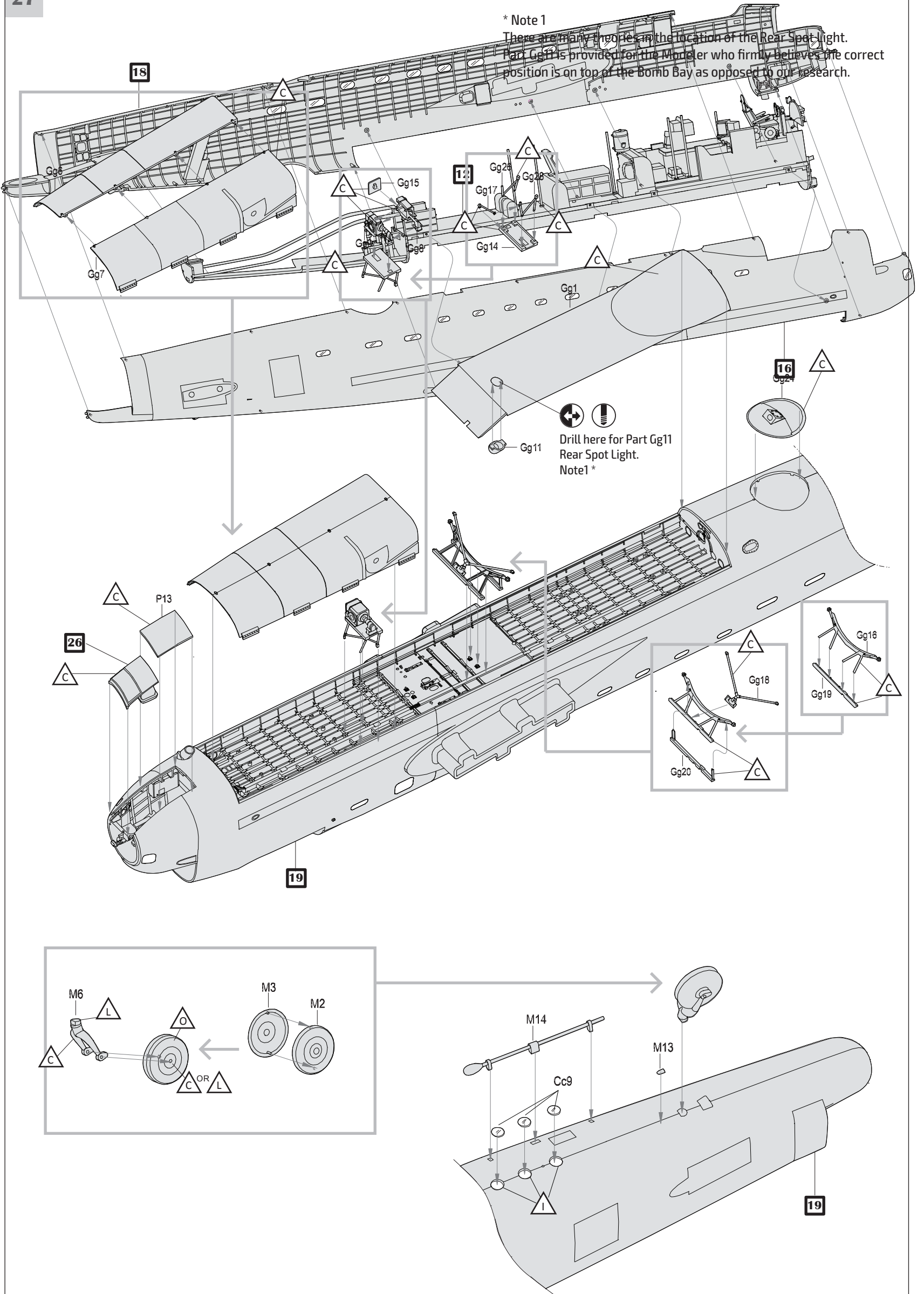


19

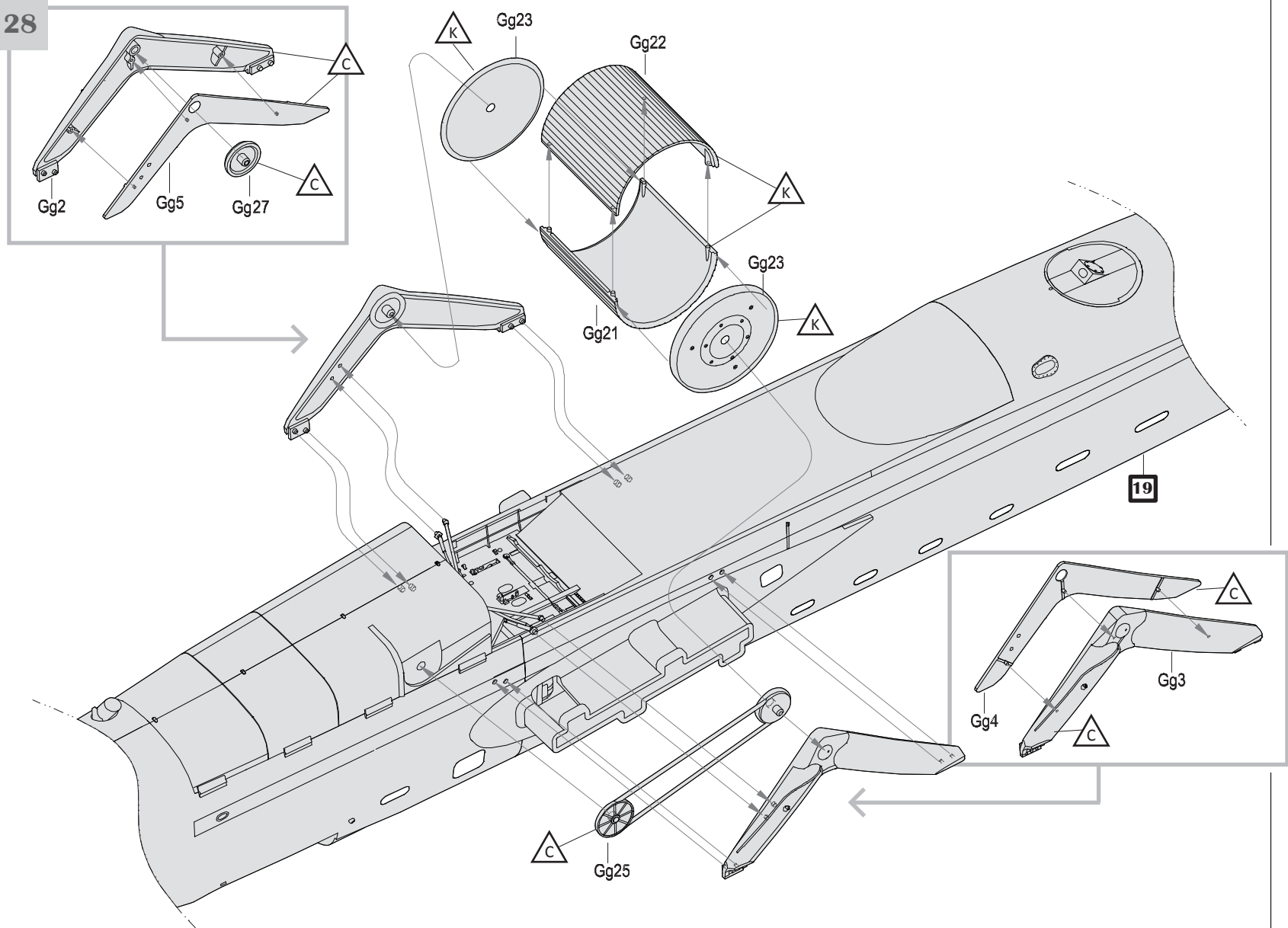


* Note 1

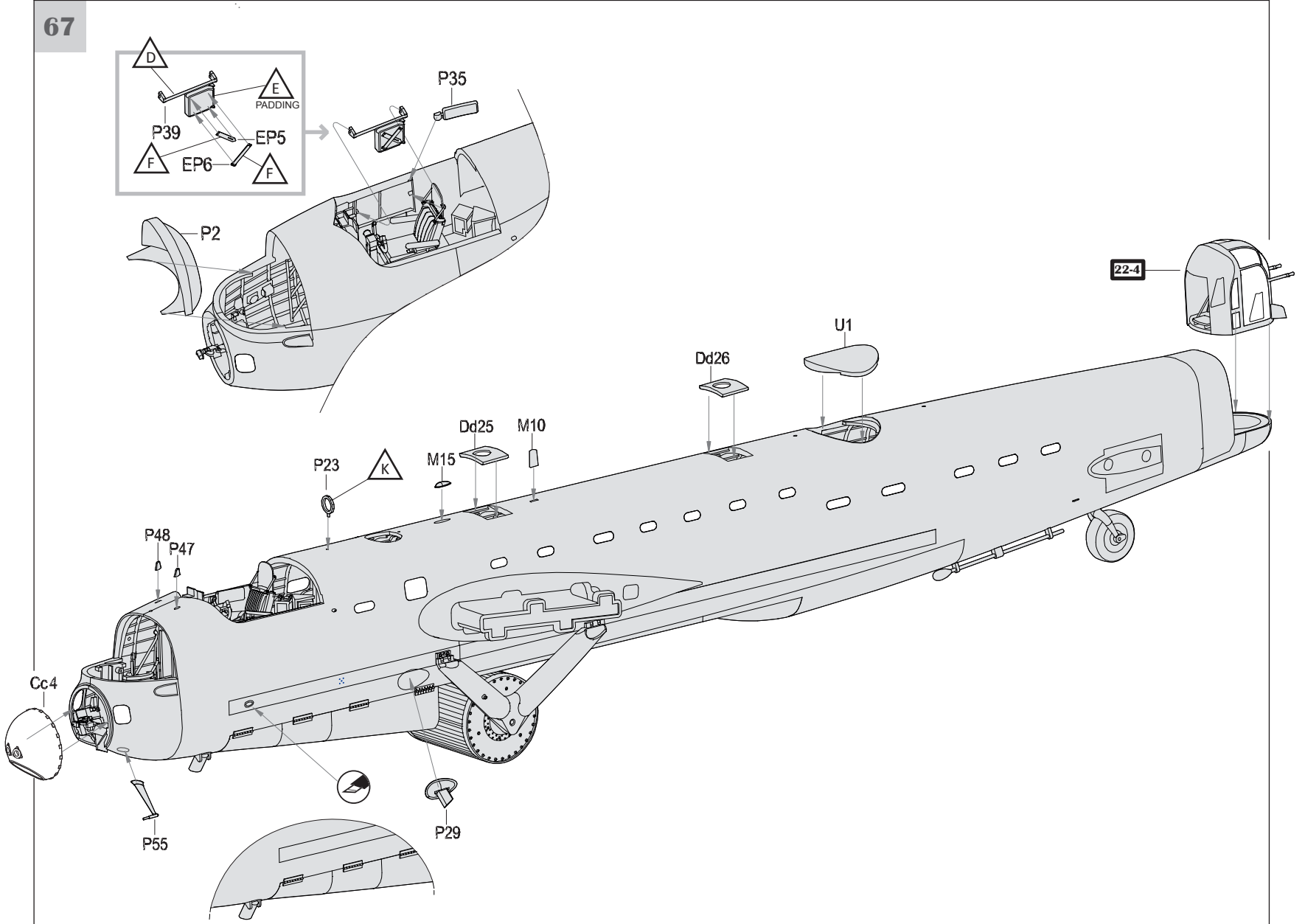
There are many theories in the location of the Rear Spot light. Part Gg11 is provided for the Modeler who firmly believes the correct position is on top of the Bomb Bay as opposed to our research.

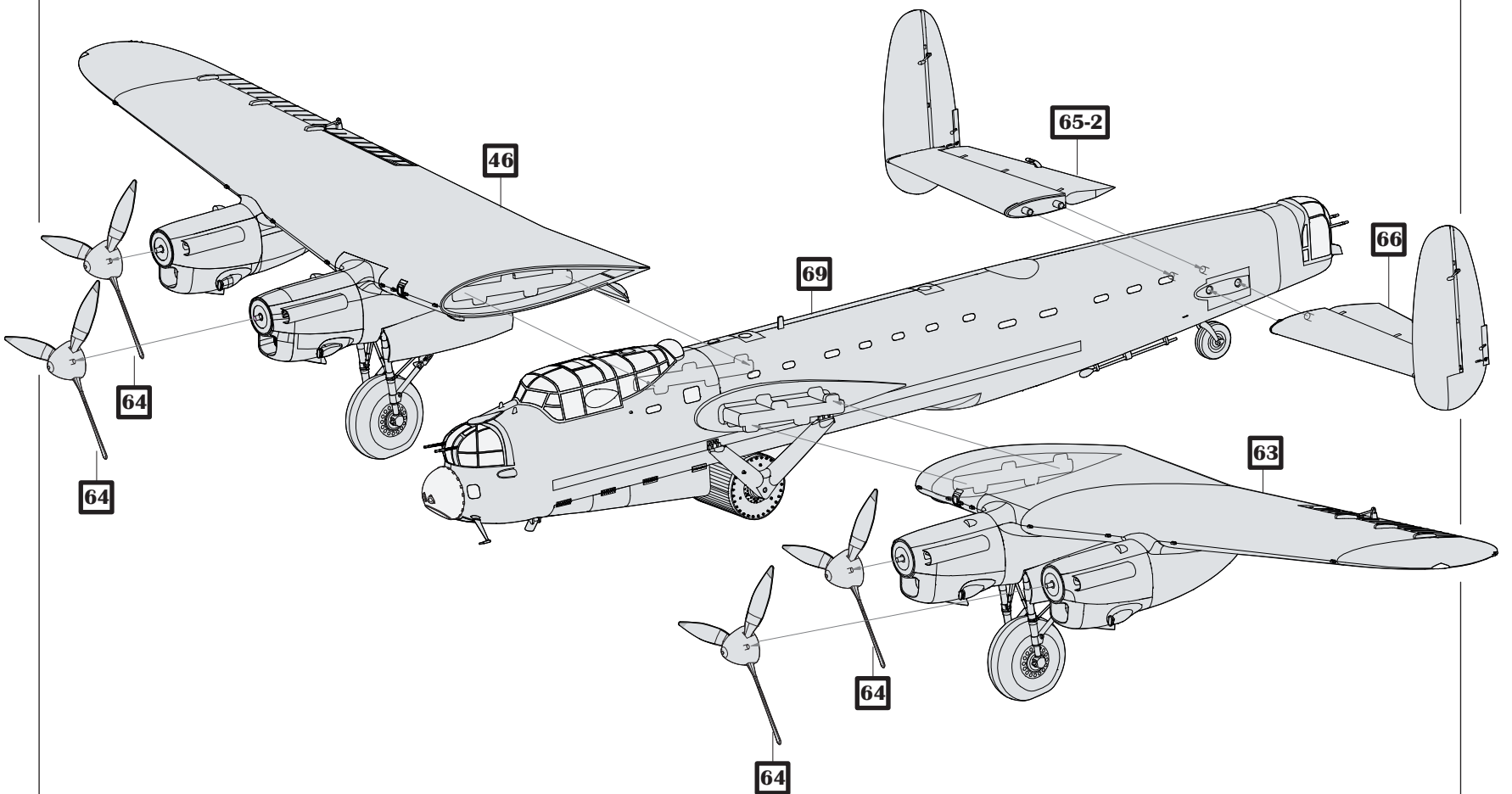
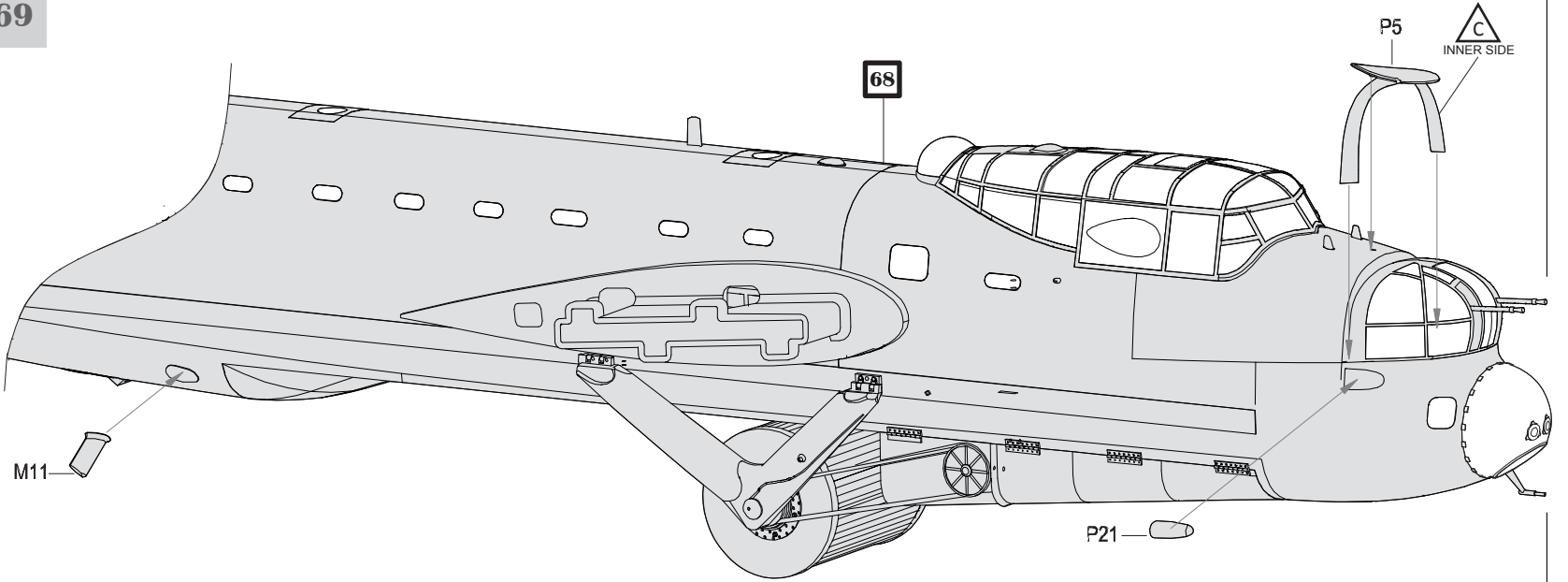
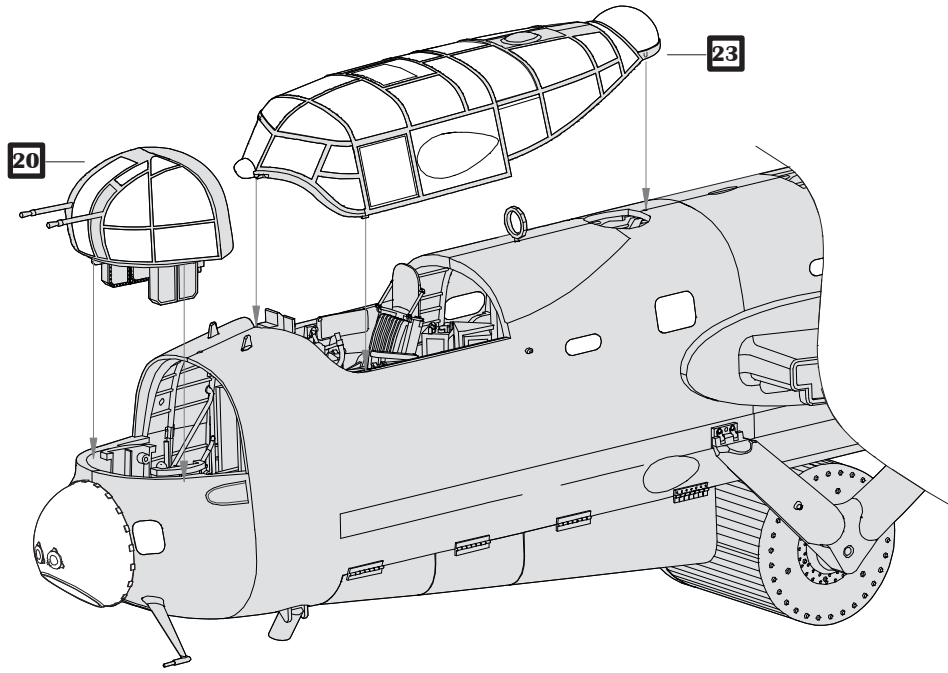


28

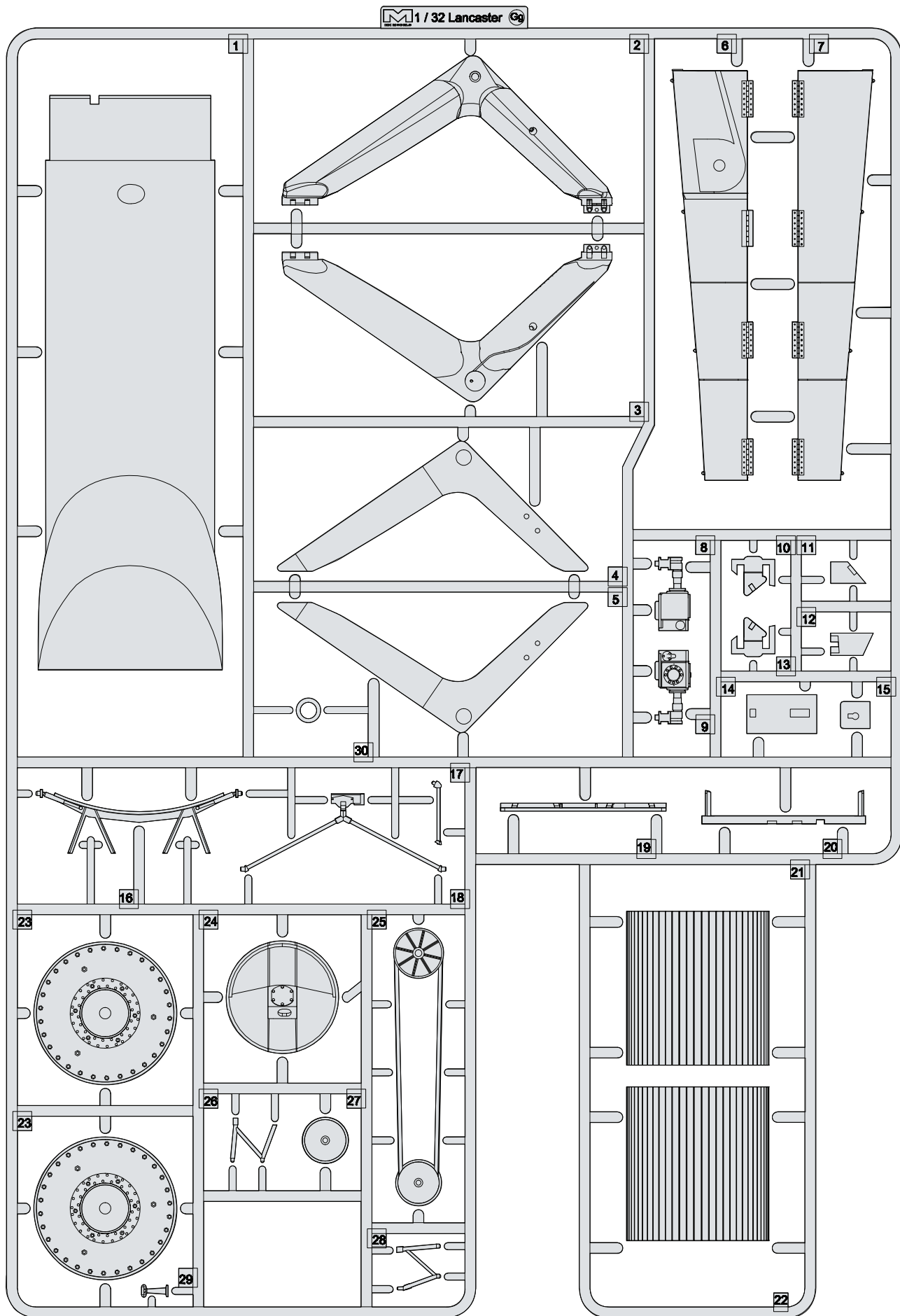


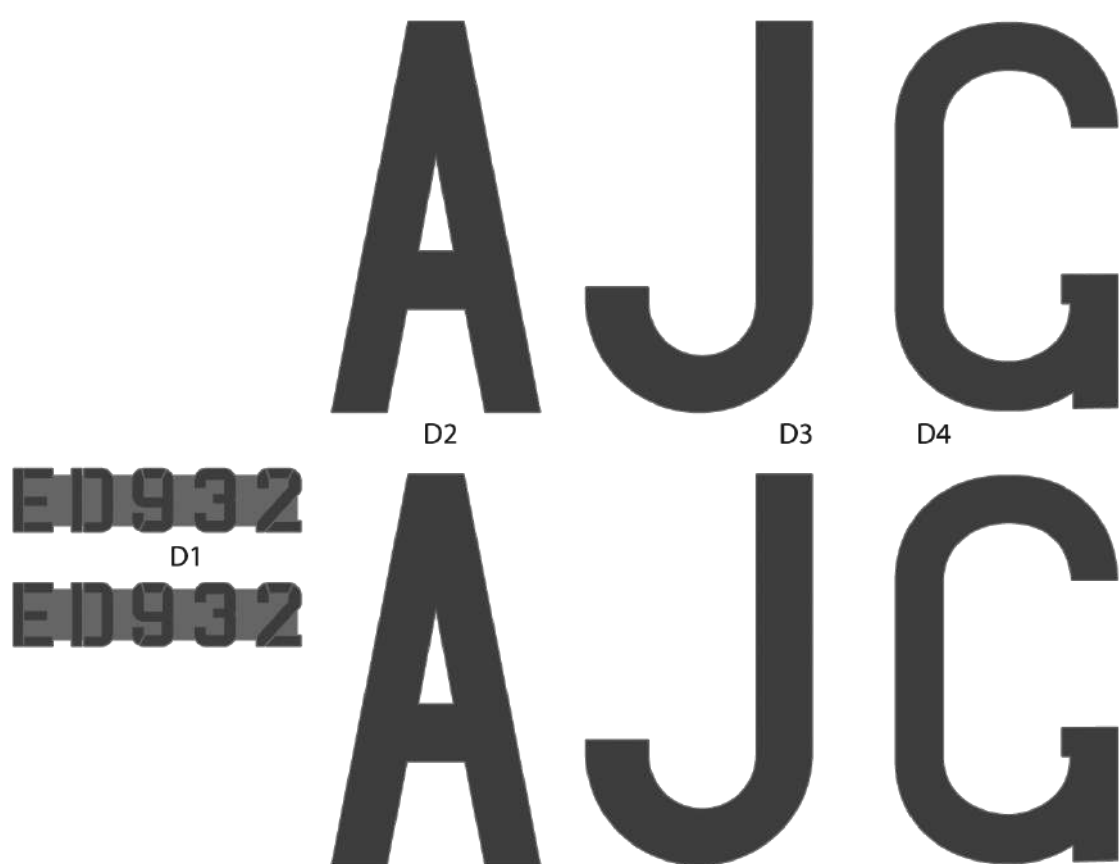
67





Parts



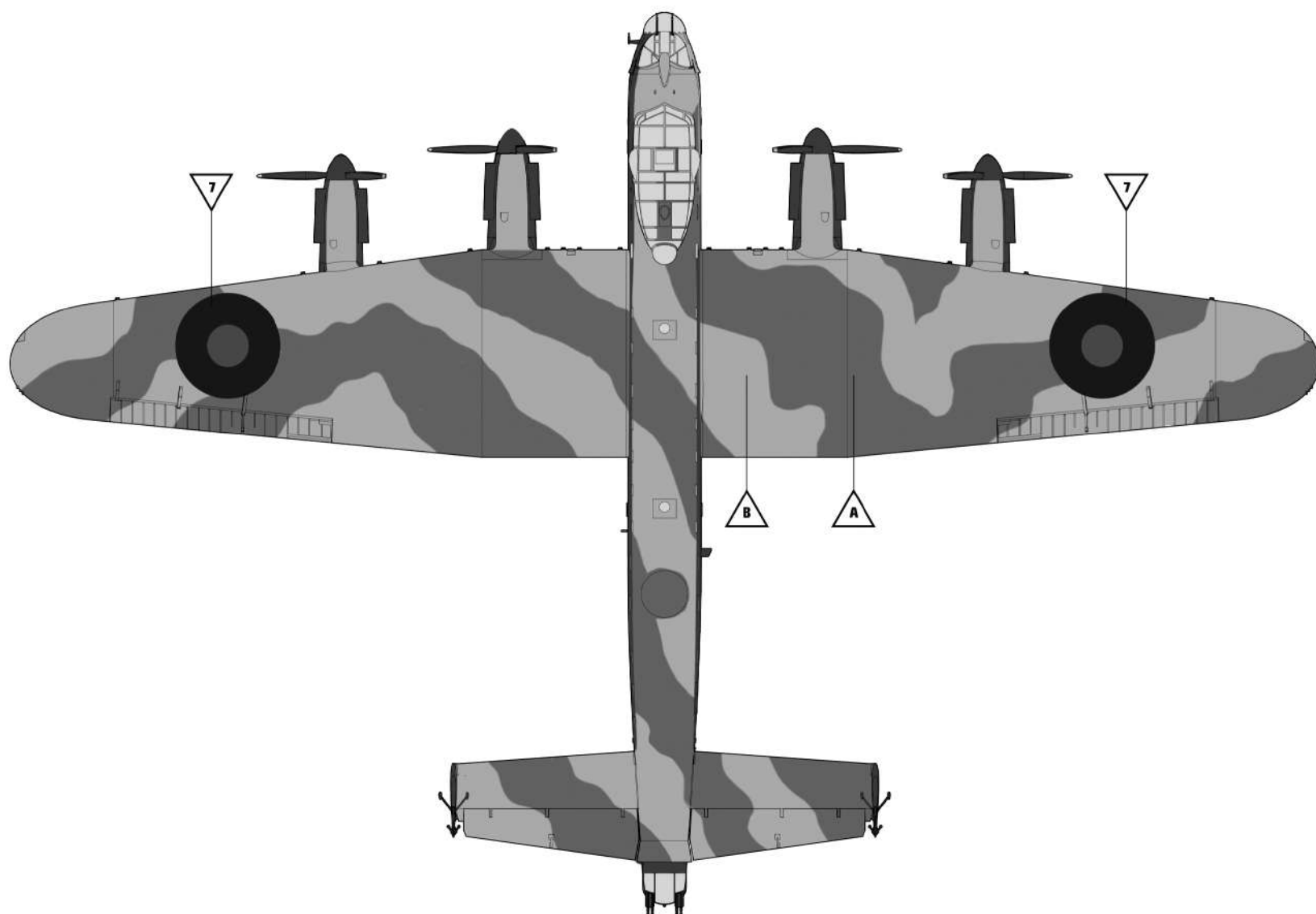
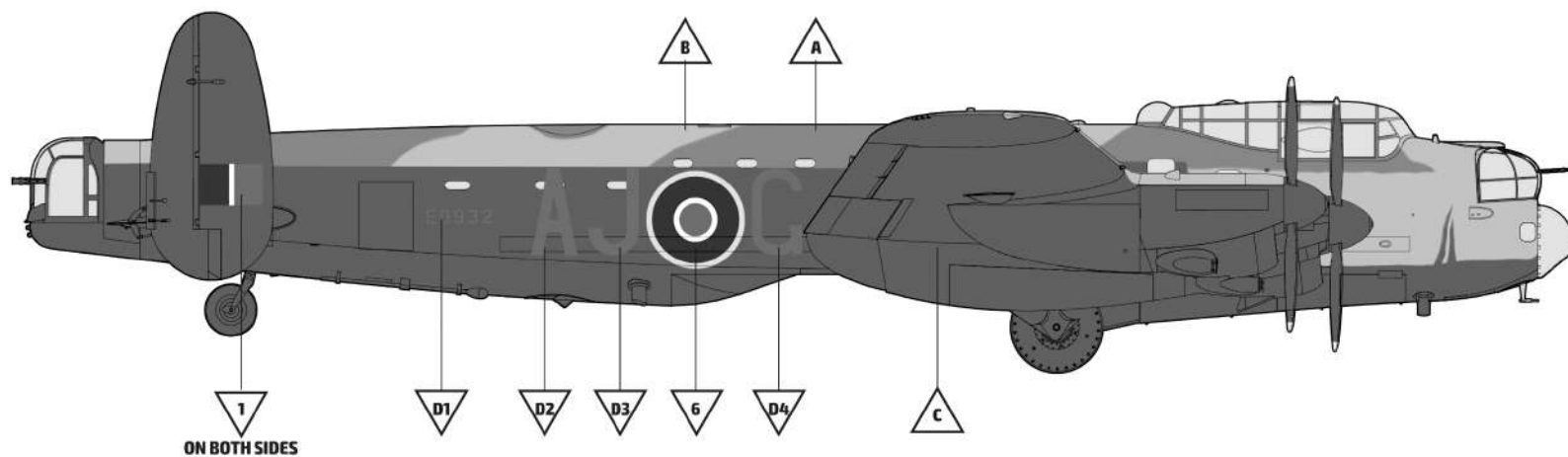


Avro Lancaster B Mk.III Dambuster HK Models 01E011

MARKING

A

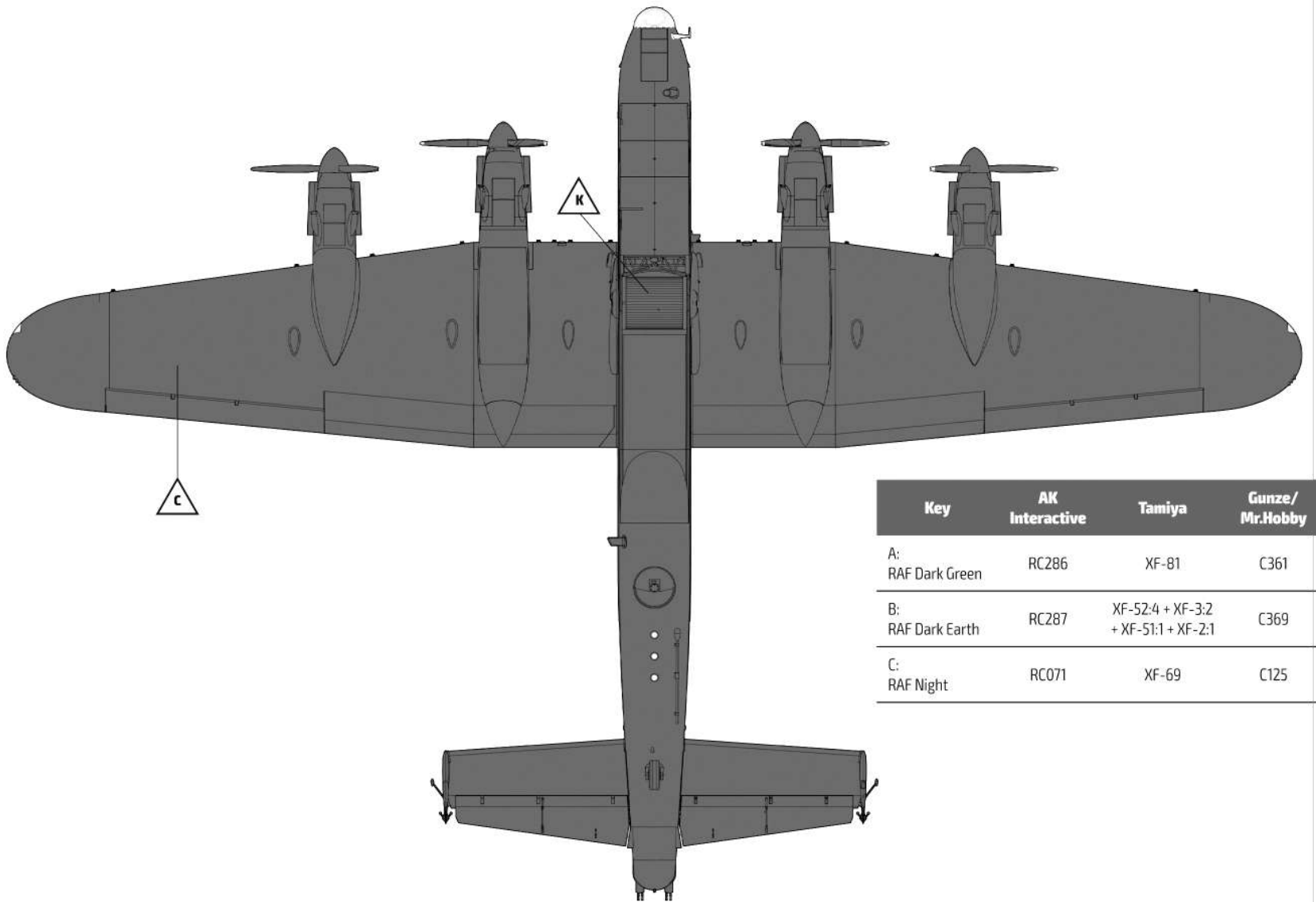
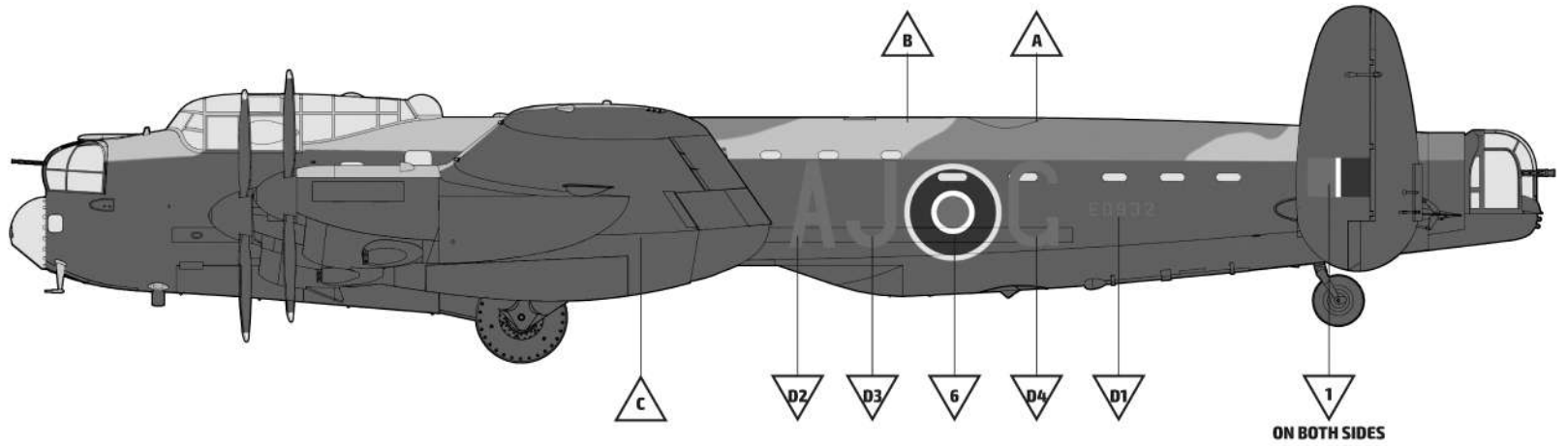
B Mk.III Special, ED932/AJ-G, No.617 Sqn. RAF, Scampton, UK, May 1943



MARKING

A

B Mk.III Special, ED932/AJ-G, No.617 Sqn. RAF, Scampton, UK, May 1943



Key	AK Interactive	Tamiya	Gunze/Mr.Hobby
A: RAF Dark Green	RC286	XF-81	C361
B: RAF Dark Earth	RC287	XF-52:4 + XF-3:2 + XF-51:1 + XF-2:1	C369
C: RAF Night	RC071	XF-69	C125

Colour Guide

Key	AK Interactive	Tamiya	Gunze/Mr.Hobby
A: RAF Dark Green	RC286	XF-81	C361
B: RAF Dark Earth	RC287	XF-52:4 + XF-3:2 + XF-51:1 + XF-2:1	C369
C: RAF Night	RC036	XF-69	C125
D: RAF Interior Green	RC293	XF-71	C364
E: Dark Green Leather	AK2063	X-5	H6
F: Tan	RC019	XF-78	H27
G: Flat Yellow	RC008	XF-3	H413
H: Flat Red	RC006	XF-7	H13
I: Aluminium	AK479	XF-16	MC218
J: Gunmetal	RC015	X-10	MC214
K: Olive Drab	RC259	XF-62	H52
L: Steel	AK476	XF-56	MC213
M: Brass	AK475	X-12	MC219
N: Flat White	RC004	XF-2	H11
O: Rubber Black	RC022	XF-85	H77

In cooperation with:



www.ak-interactive.com



Large
Scale
Modeller

www.largescalemodeller.com

General kit help/reference: **Large Scale Modeller**

Illustration, manual layout and format: **HK Models, Tomek Wajnka & AK-Interactive**

Manual and assistance: **AK-Interactive**

Introductory text: **Cees Broere**