

Plastic model kit containing 563 parts.

Wing span: 643mm Length: 498mm

1/32
SCALE



B-25H MITCHELL Gunship
















History of B-25H MITCHELL

North American Aviation's B-25 Mitchell was named in honour of Major General William Mitchell, widely regarded as the father of the United States Air Force. Two years after his death in 1936, the Air Corps issued Circular No. 38-385 which described the requirements for the next generation of bombers. These included the capability to carry 1,200lb of bombs for 1,200 miles, at a speed of at least 200 mph. Companies who submitted their designs to meet this requirement, included N.A.A. Their proposal was for a twin-engine, medium bomber which was given the initial design number of NA-40. This design could be linked back to N.A.A.'s reasonably successful, but cancelled, NA-39 design of just two years prior. The NA-40 first flew towards the end of 1939, when the war in Europe was already underway. After numerous modifications and improvements that culminated in the design of the NA-62, the type eventually entered service in 1941, now designated as B-25 'Mitchell'. It was a close call though, as the NA-40 originally failed to win any orders back in 1939, and orders that were meant to materialise for France, never did due to competition. Whilst the B-25 was new to the production lines, a further, significant modification was made, replacing the constant dihedral of the wing to that of a slight anhedral, just outboard of the engines. This gave the Mitchell its quasi-gull wing and removed flight instability.

There's no doubt that the B-25 was a particularly robust and adaptable aircraft, even though the type was initially designated as a medium bomber with a glazed nose and manned rear

gun (B-25C). It was capable of high- and low-level bombing, strafing, photoreconnaissance, and submarine patrol. The Mitchell saw service as a gunship in its B-25H incarnation, complete with heavy 75mm cannon armament in the nose, through to a version known as the 'Strafer' which packed a fearsome total of 8 guns in the nose, as well as four in forward facing pods which sat on the side walls, just below the cockpit area. With the subject of this HKM kit release, we see the B-25J version, which revisited its earlier medium bomber incarnation, which featured a glazed nose with defensive armament. Some B-25J aircraft were, however, modified back to the Strafer nose. The 'J' variant was the final production series type built, totalling 4,318 units out of a total B-25 production of 9,816. The B-25 served in every theatre of WW2, from the Asia-Pacific, the Middle East, the Mediterranean, and Europe, with the type continuing in service with nations such as Brazil, until around 1970. One of the most audacious missions of the war, the Doolittle Raid, provided an early morale boost for America, following the devastating attack on Pearl Harbour. In this instance, sixteen B-25B medium bombers attacked Tokyo, having taken off from the carrier USS Hornet. The aircraft were stripped of unnecessary weight to allow them to take off from the relatively short floating runway.

The B-25H was powered by 2 x Wright R-2600-92-14 Twin Cyclone 14-cylinder air-cooled radial engine, 1,700 hp each, and it also carried a heavy 75mm cannon in the nose. 9 x .50cal M2 Browning machine guns across waist, tail, dorsal and forward gun positions. A typical medium range mission would see the B-25H carry around 3,000lbs of bombs. Wingspan was 67ft 7in, with a length of 52ft 11in. A crew of 6 was typical for the B-25H (pilot, co-pilot, navigator, bombardier, turret gunner/engineer, radio operator/waist gunner, tail gunner).

-  BE CAREFUL
-  REMOVE
-  GLUE TOGETHER
-  PLEASE WAIT FOR A FEW MINUTES UNTIL DRY
-  MAKE 2 PIECES
-  DRILL HOLE
-  DO NOT GLUE
-  INSTANT GLUE FOR METAL
-  BEND
-  FILL HOLE
-  SEQUENCE OF WORK
-  OPTIONAL
-  USED COLOUR
-  APPLY DECAL
-  MARKING OPTION

CAUTION

When using both glue and paint, do not use these near an open flame, due to the flammable properties of these items. The symbols provided, such as 'X', refer to the basic colours of parts, although a more comprehensive list is supplied for your use for Tamiya, Mr Hobby and AK-Interactive codes. When removing parts from sprues, take extreme care. Consider correct tools such as Xuron Sprue Cutters. Please check the symbology on the left and familiarise yourself before building this model kit.

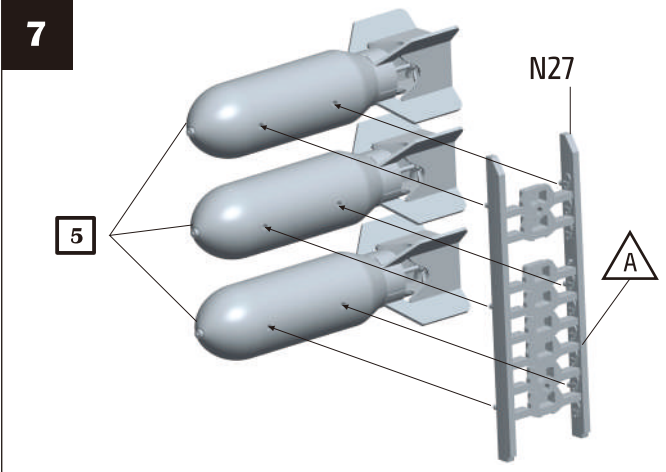
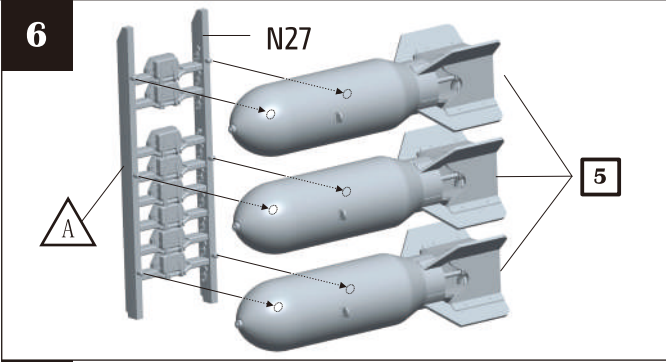
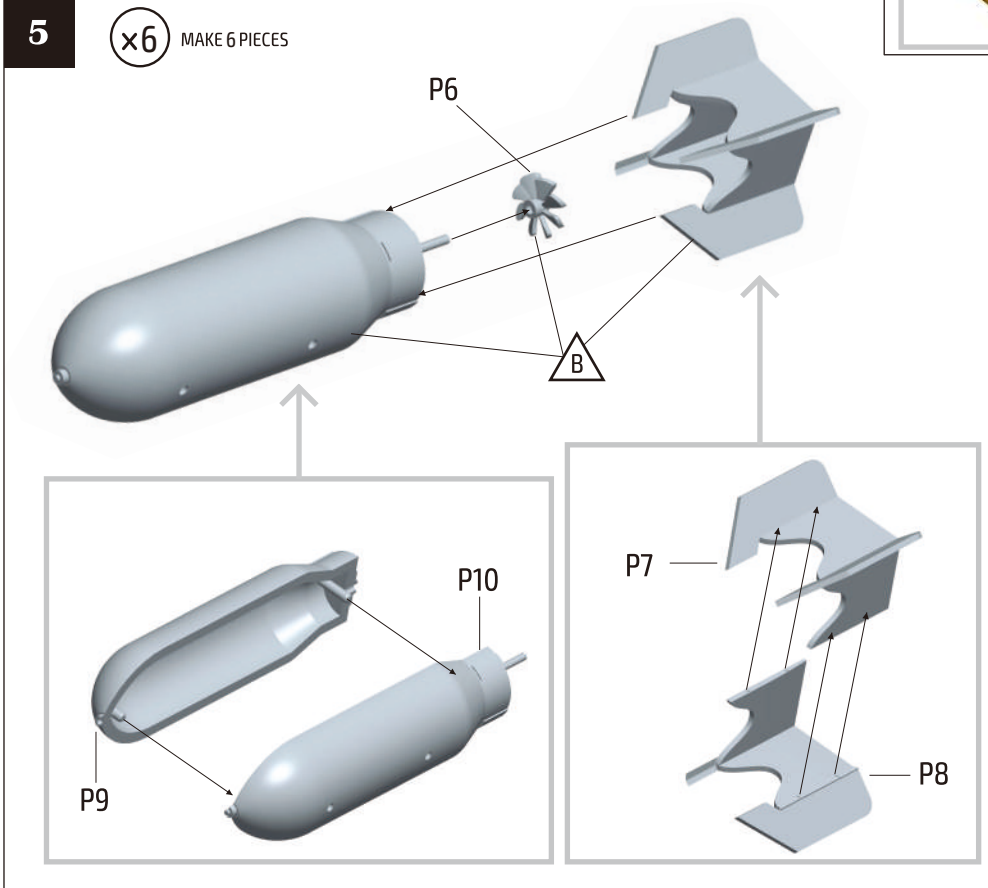
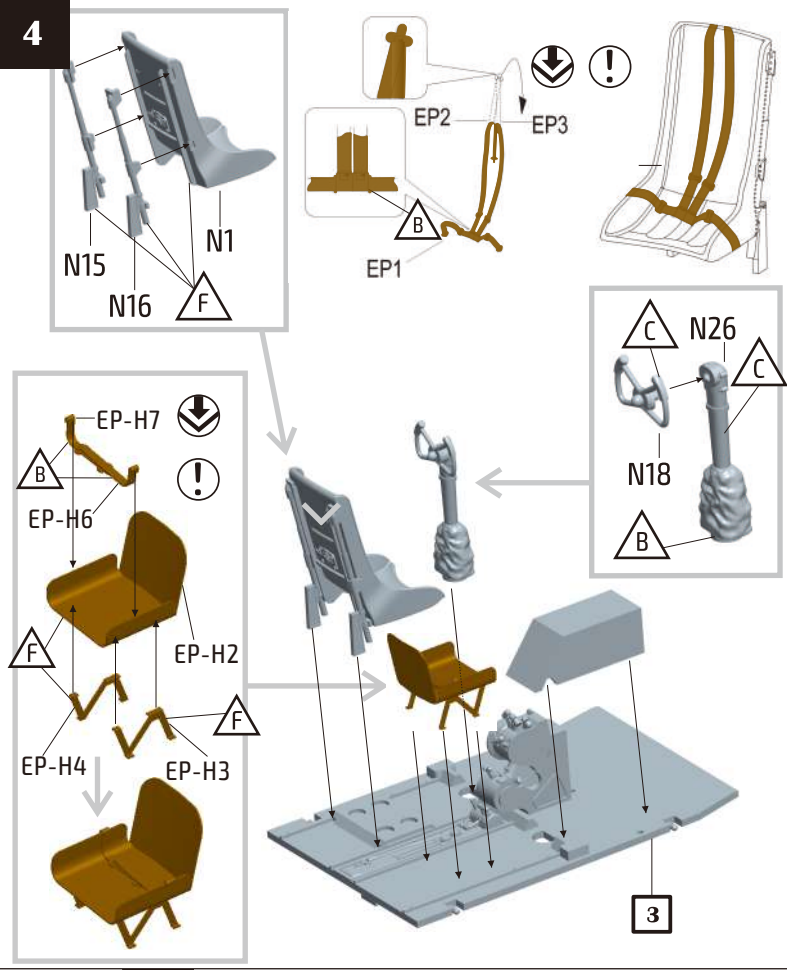
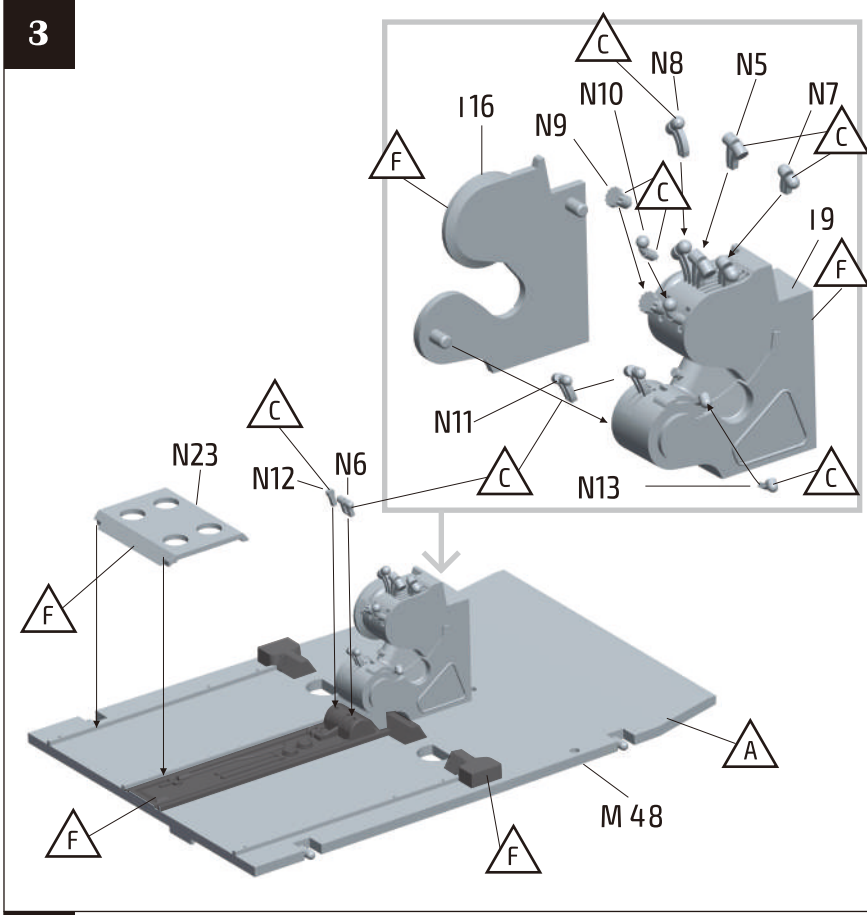
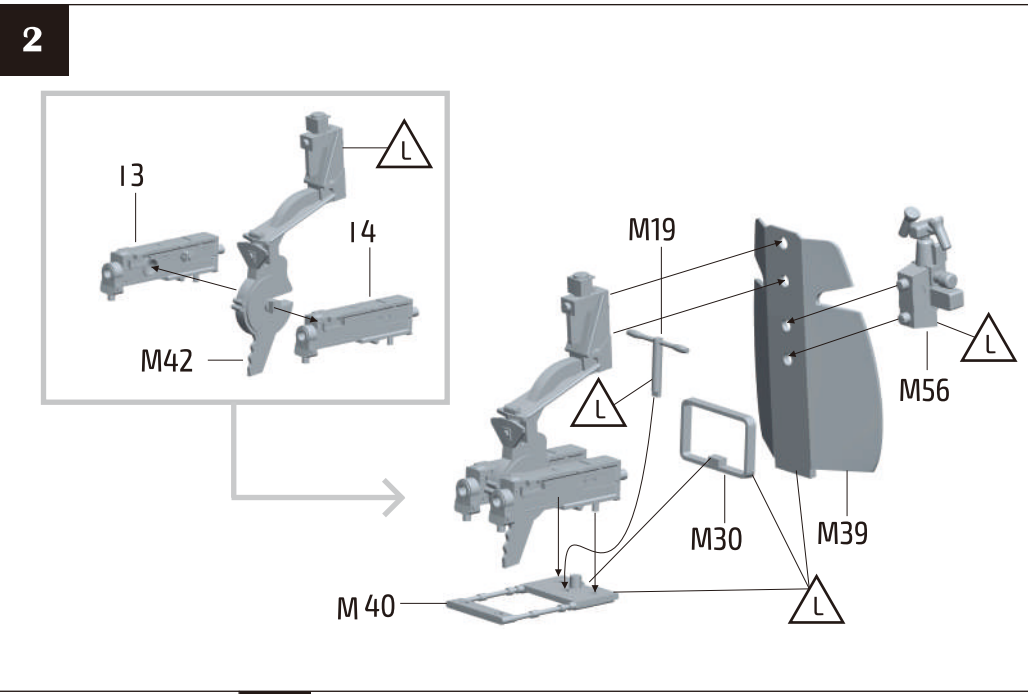
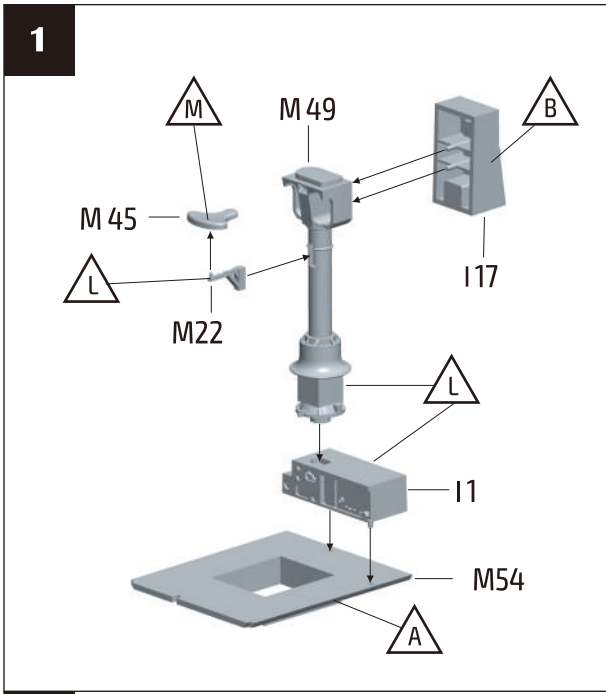
In cooperation with:

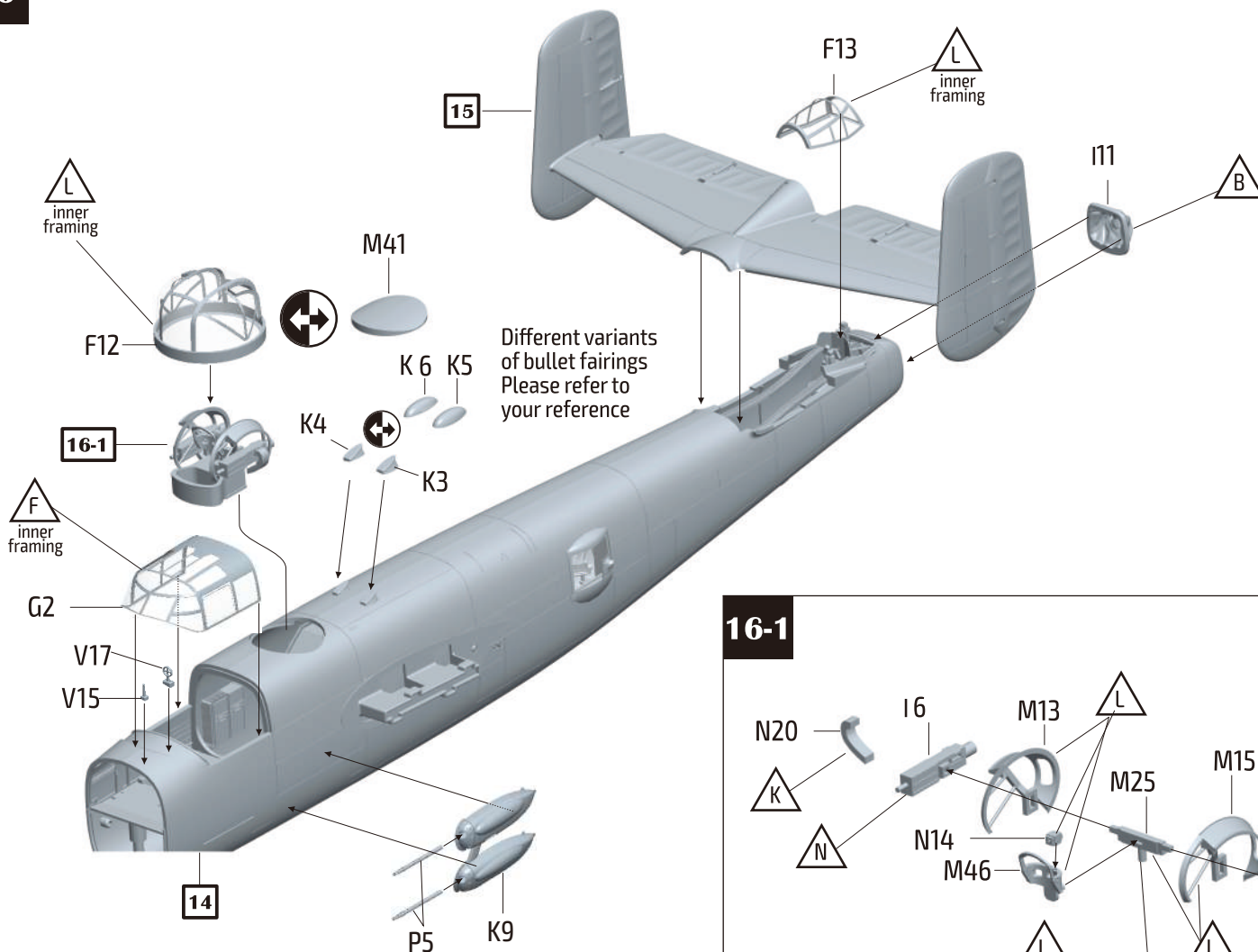
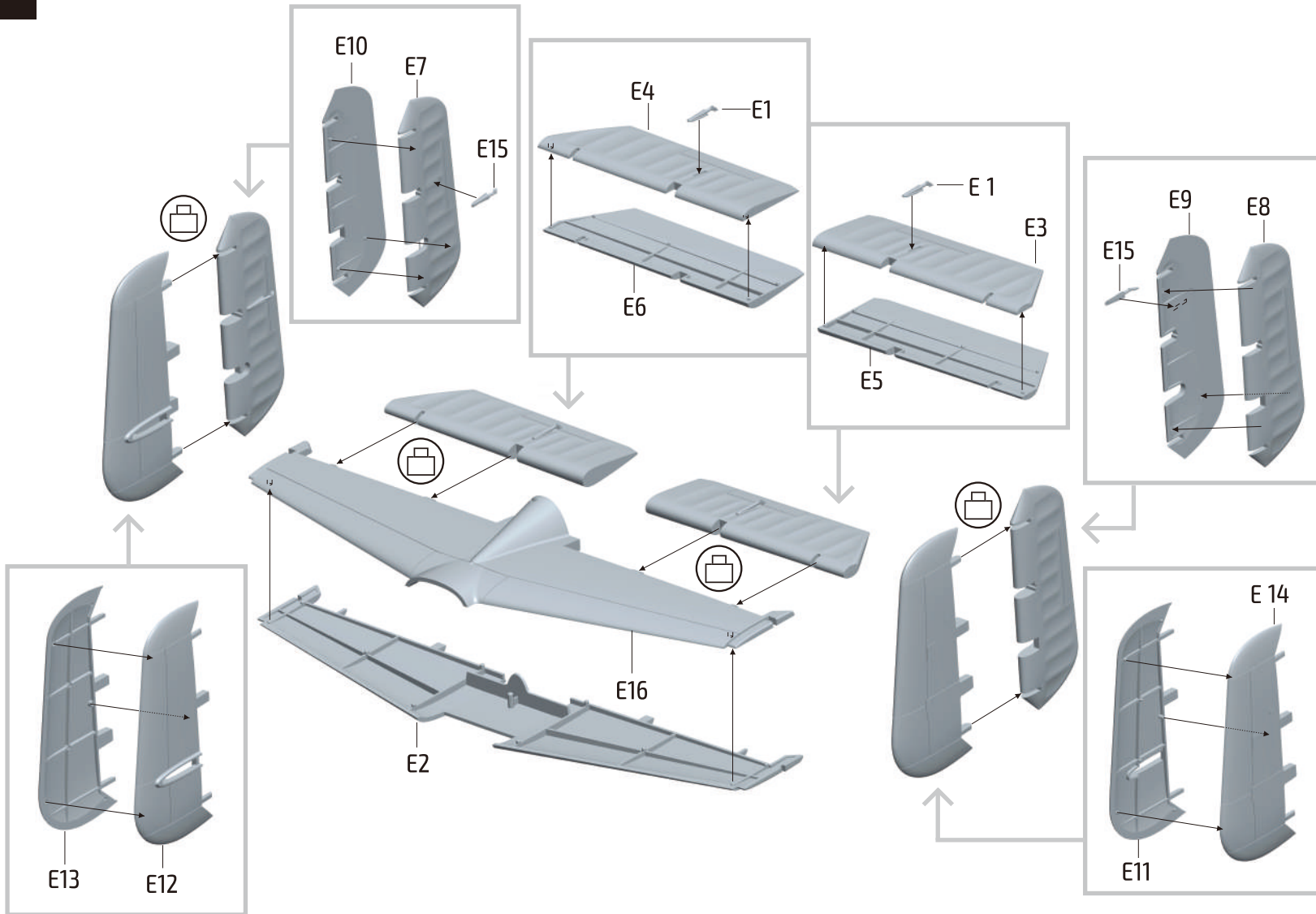


www.ak-interactive.com

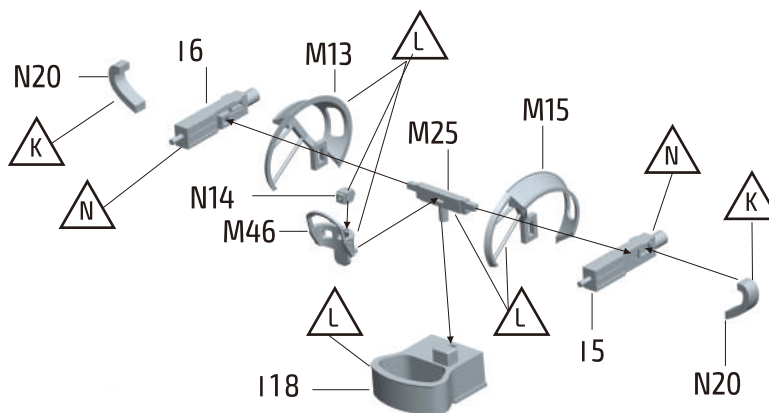


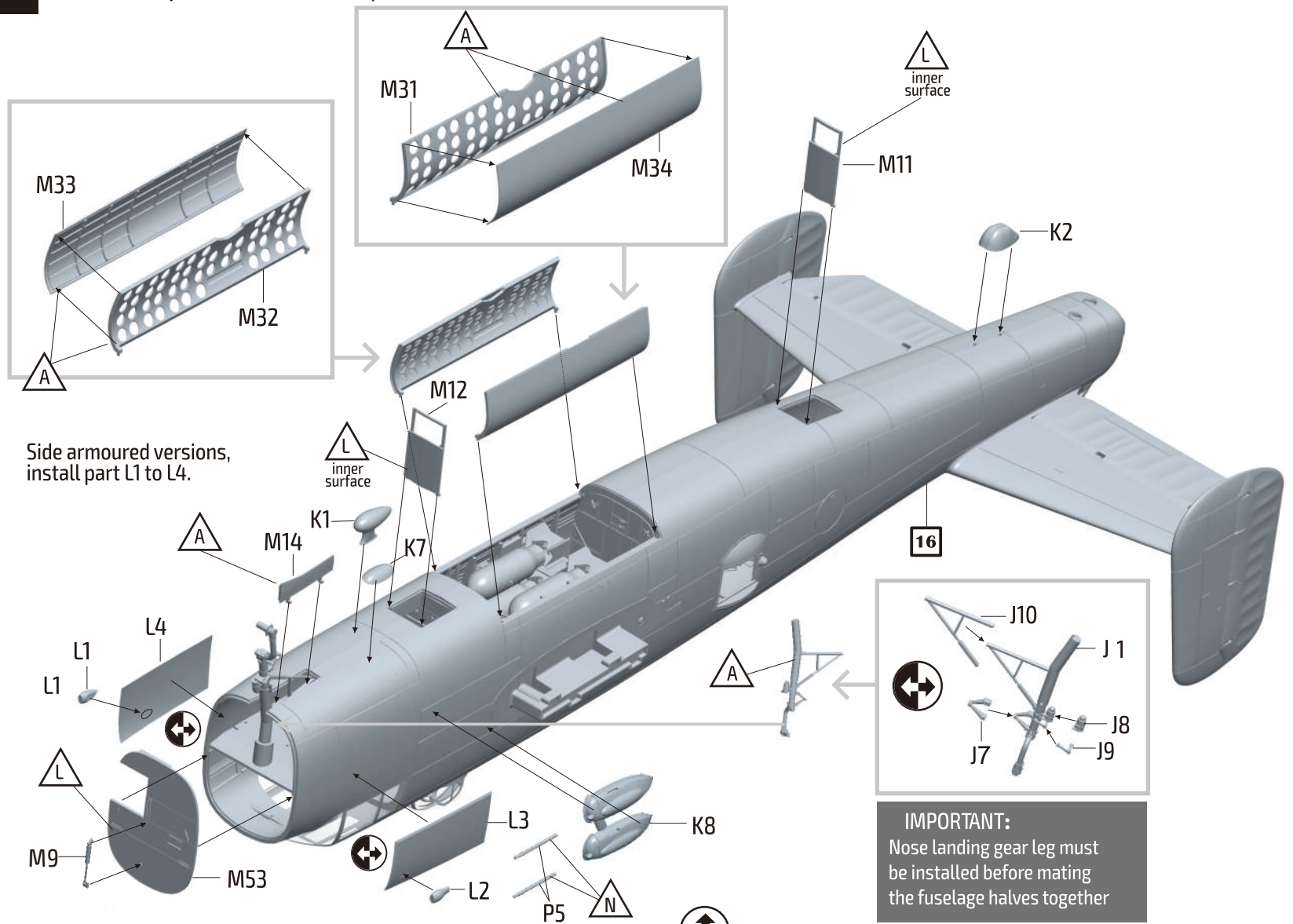
Large Scale Modeller
www.largescalemodeller.com



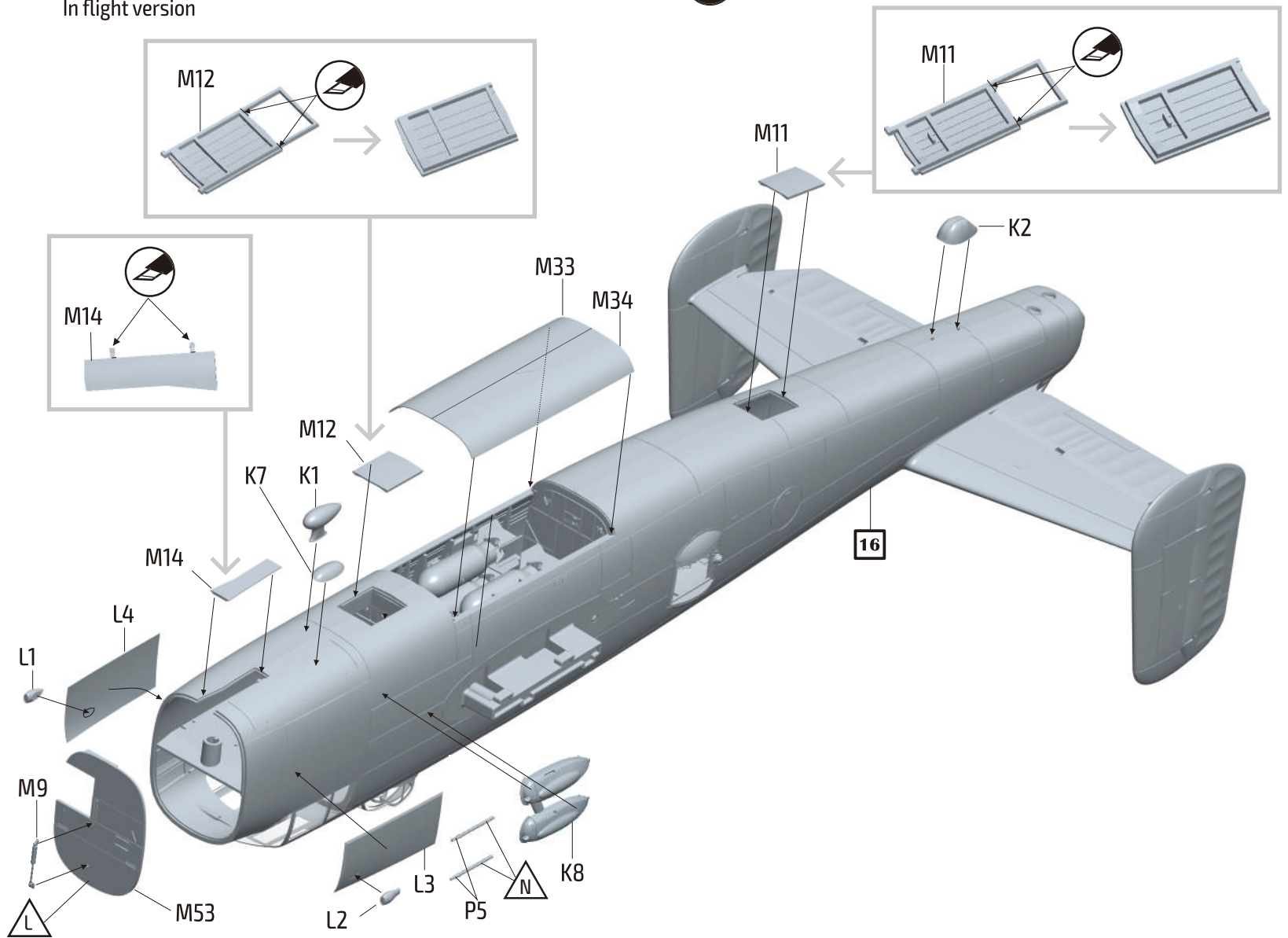


16-1



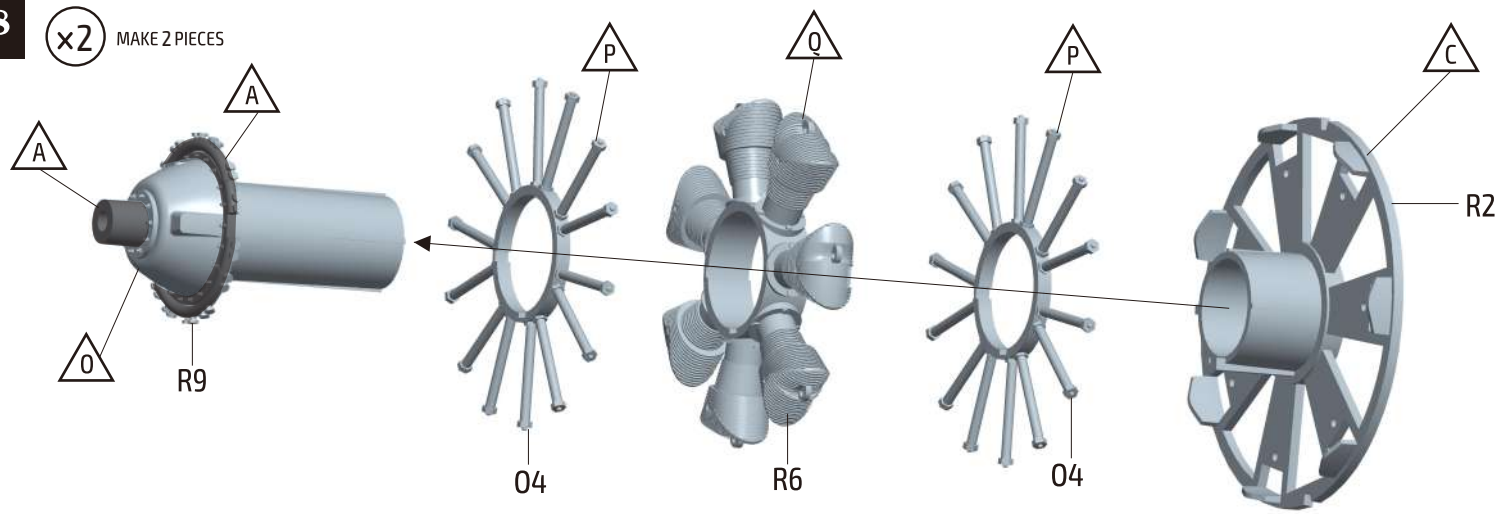


In flight version



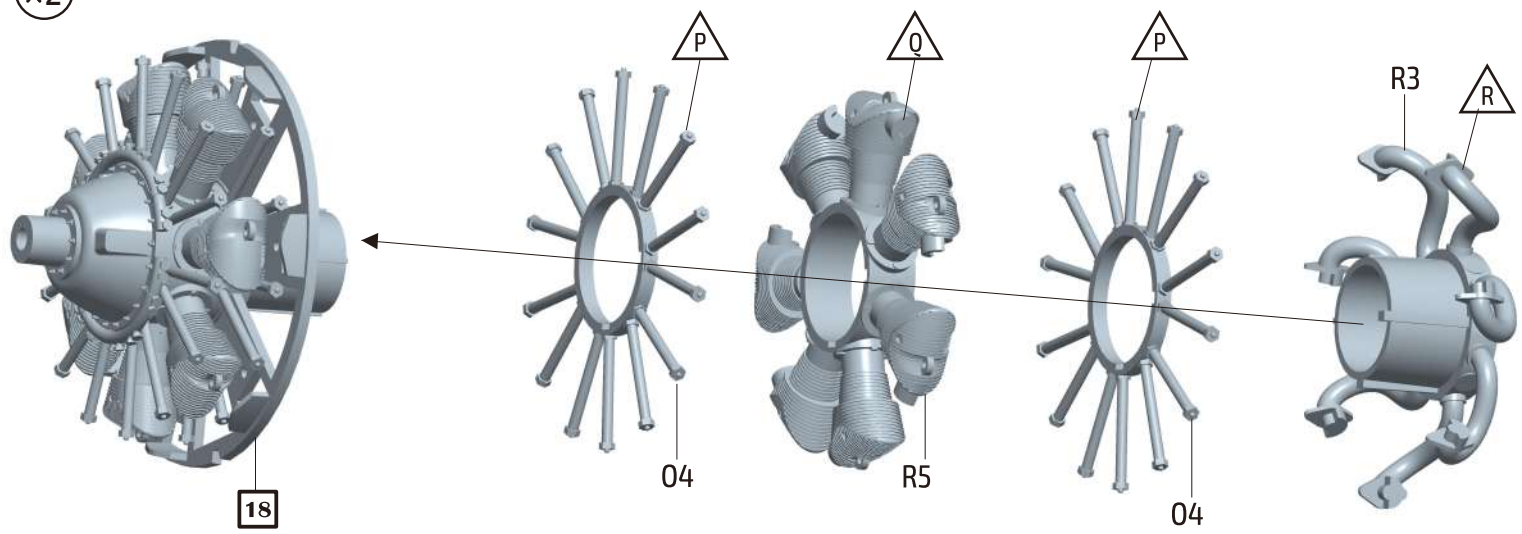
18

x2 MAKE 2 PIECES



19

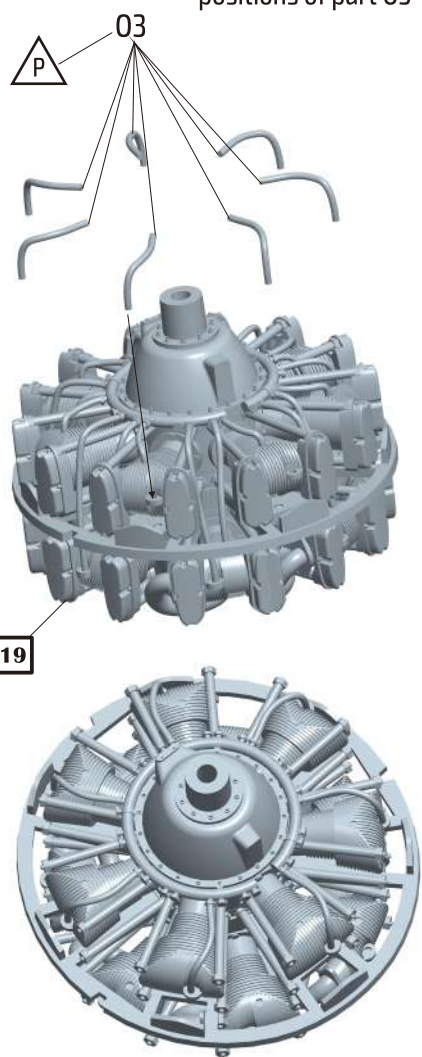
x2 MAKE 2 PIECES



20

x2 MAKE 2 PIECES

Please note the positions of part 03

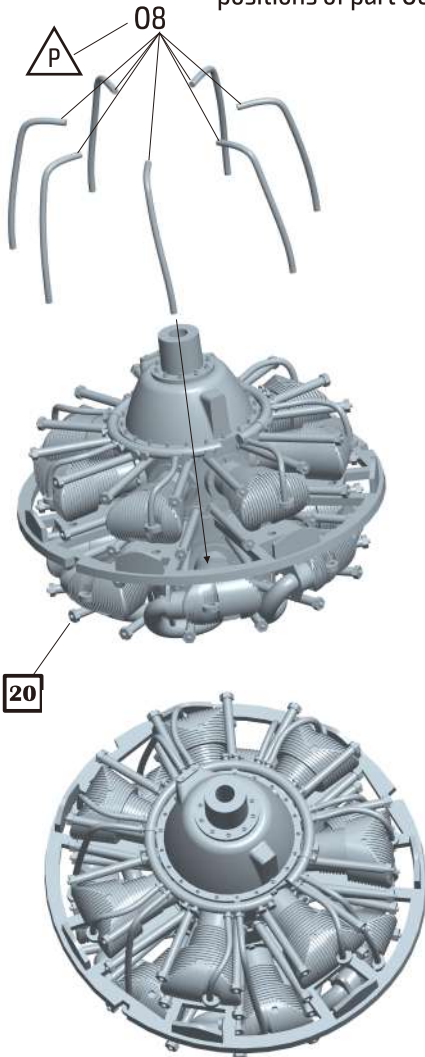


Top roll of cylinders

21

x2 MAKE 2 PIECES

Please note the positions of part 08

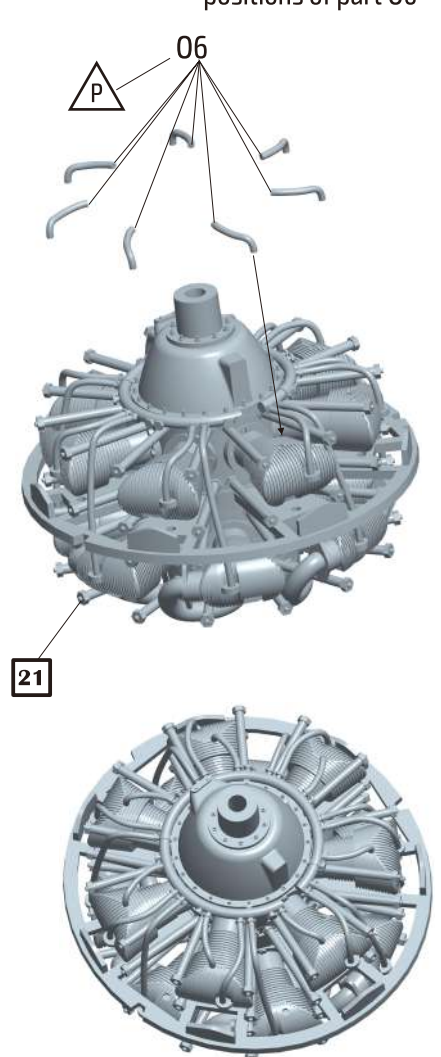


Back roll of cylinders

22

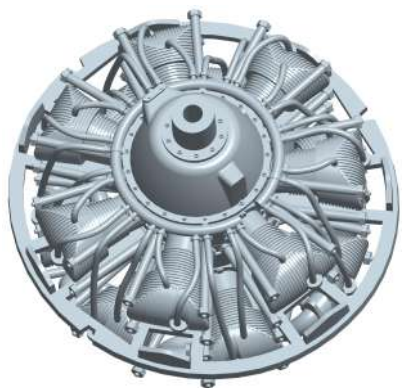
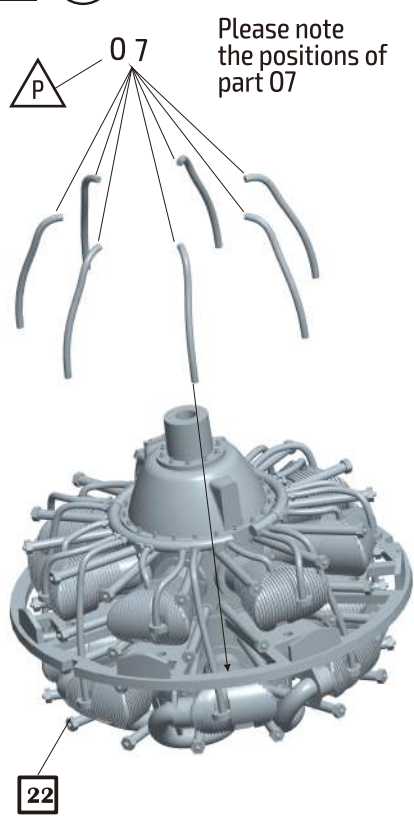
x2 MAKE 2 PIECES

Please note the positions of part 06



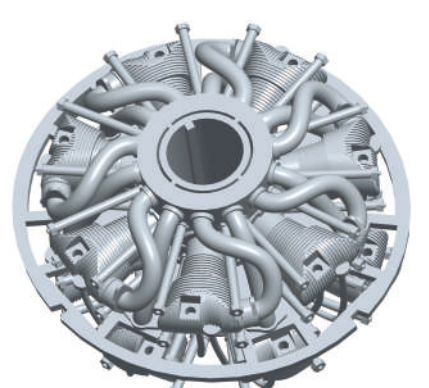
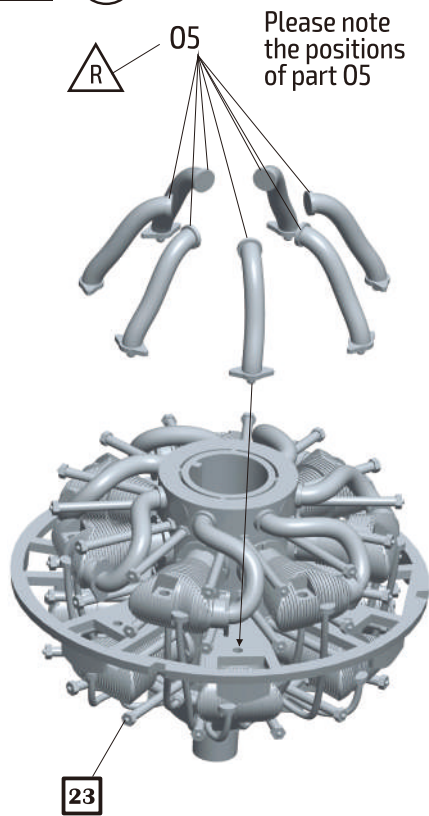
Front roll of cylinders

23 (x2) MAKE 2 PIECES



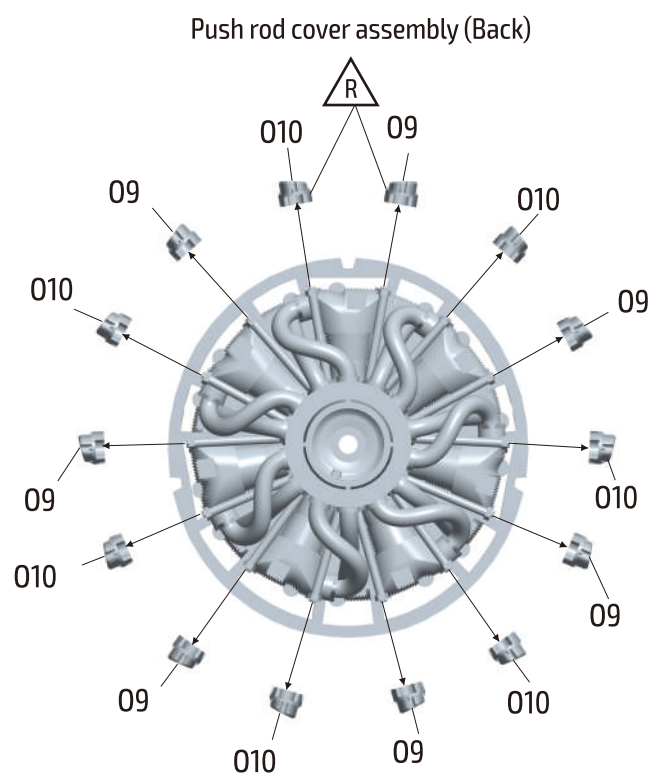
Top roll of cylinders

24 (x2) MAKE 2 PIECES

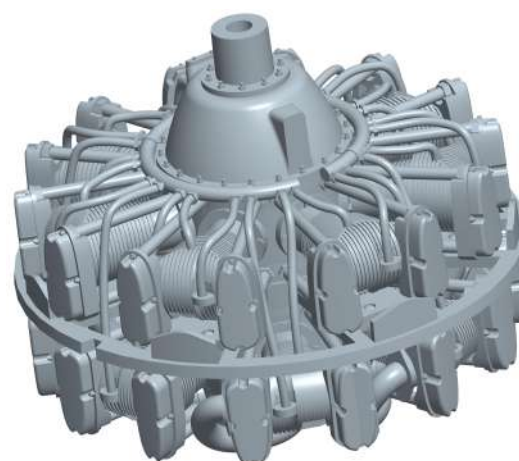
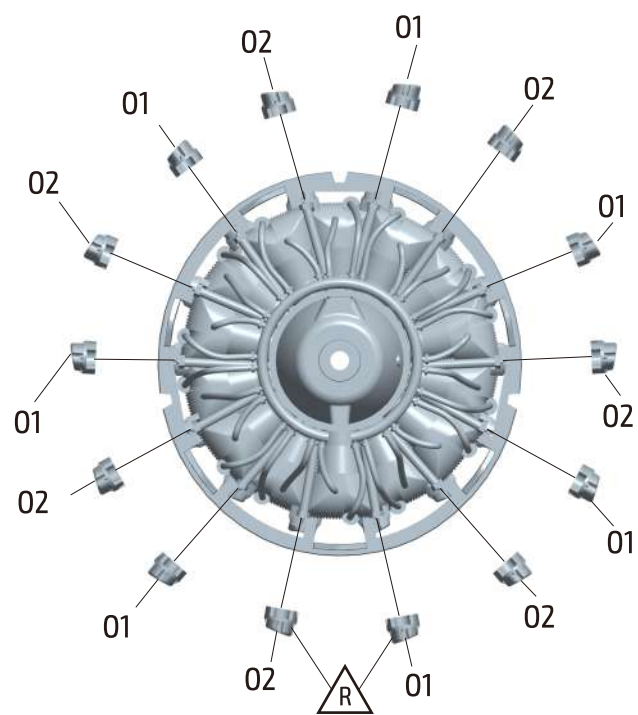


Engine's back

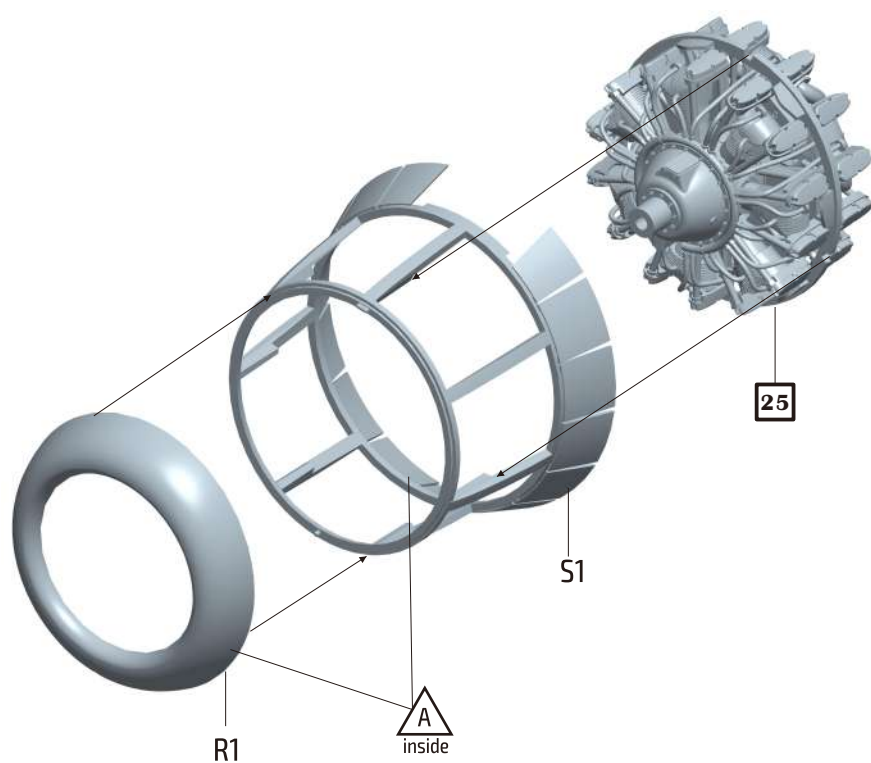
25 (x2) MAKE 2 PIECES



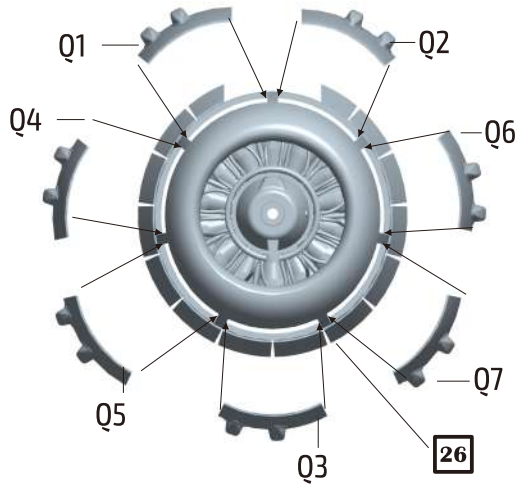
Push rod cover assembly (Front)



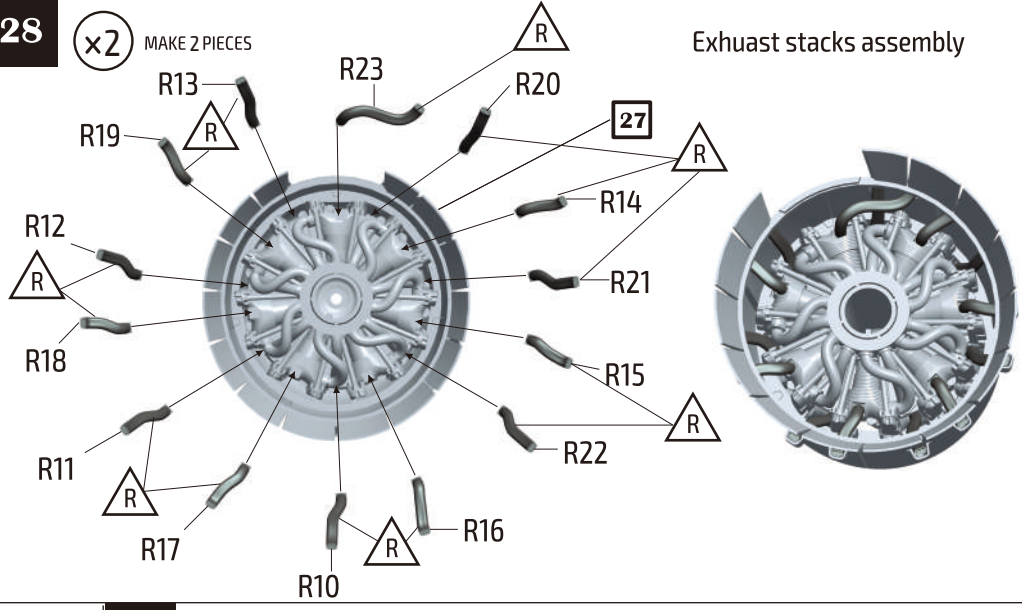
26 (x2) MAKE 2 PIECES



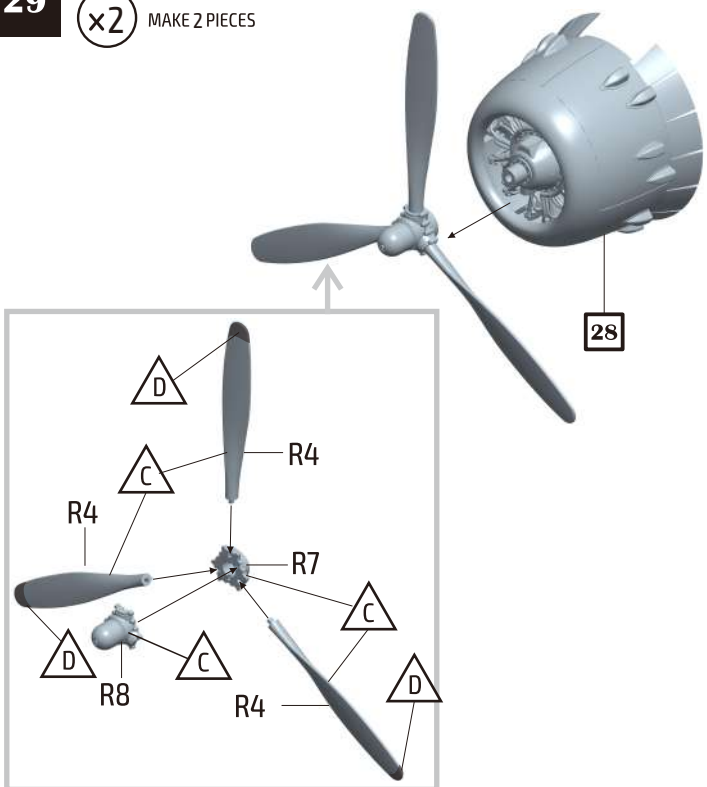
27 (x2) MAKE 2 PIECES
Engine nacelle covers assembly



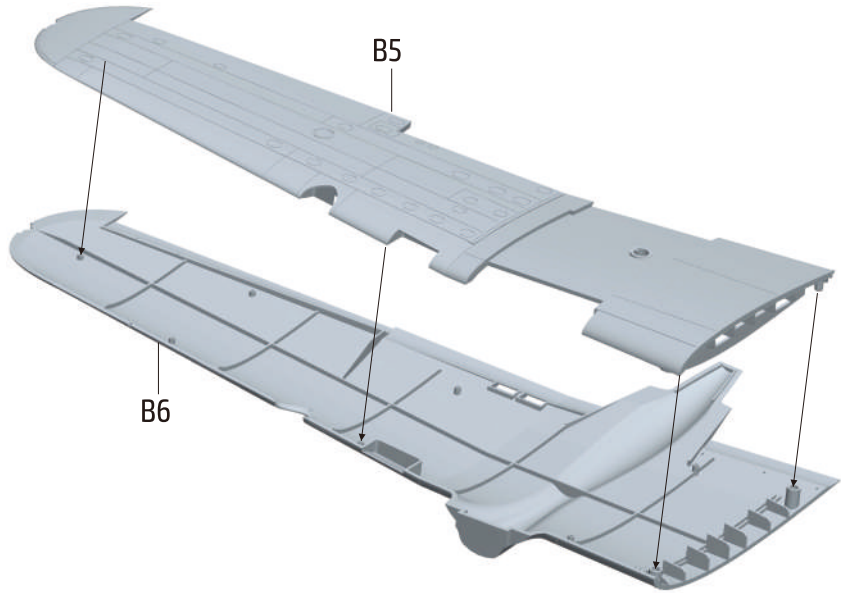
28 (x2) MAKE 2 PIECES



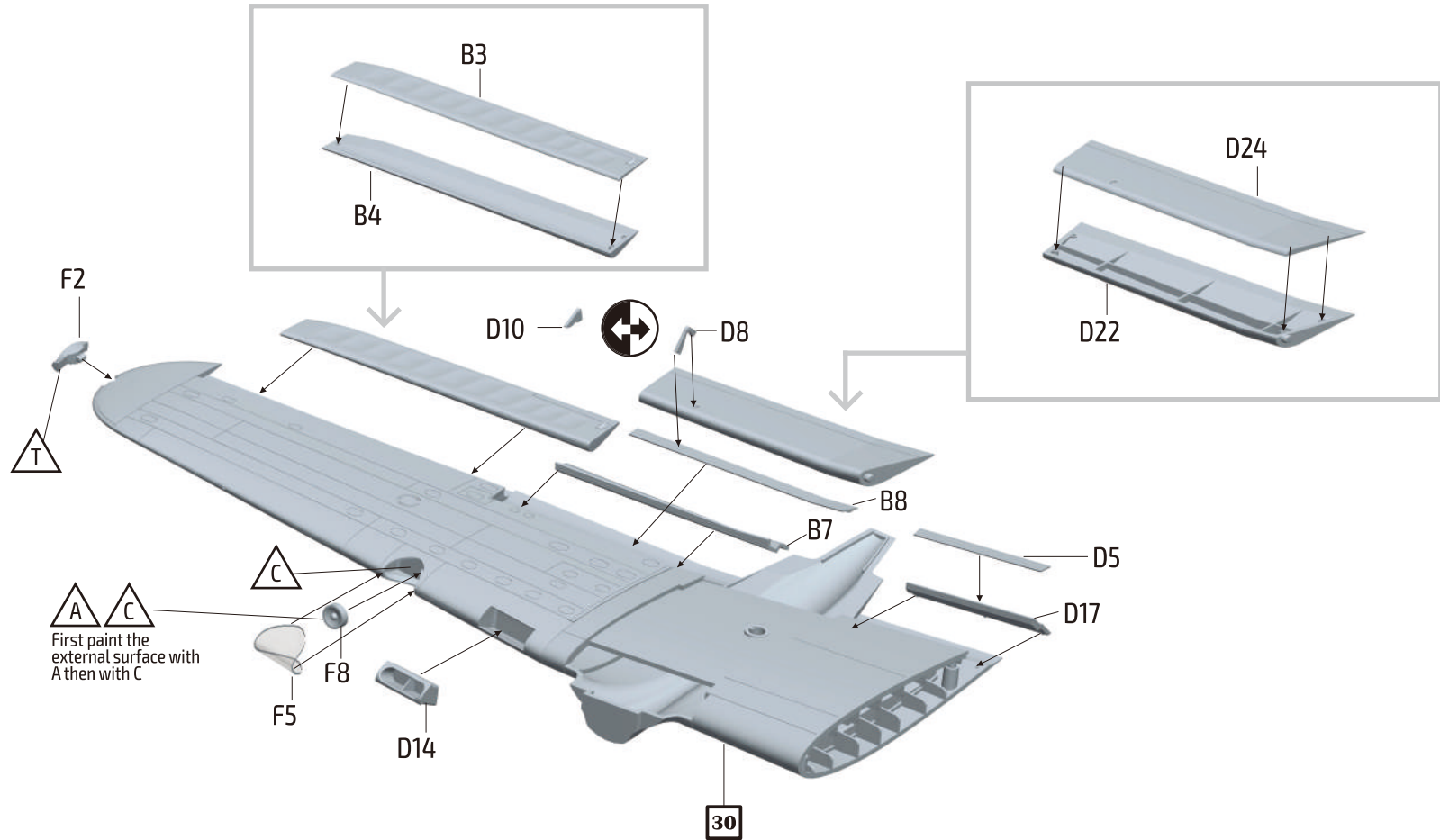
29 (x2) MAKE 2 PIECES



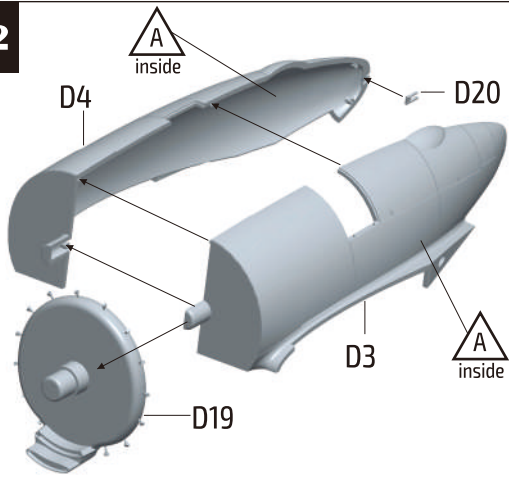
30



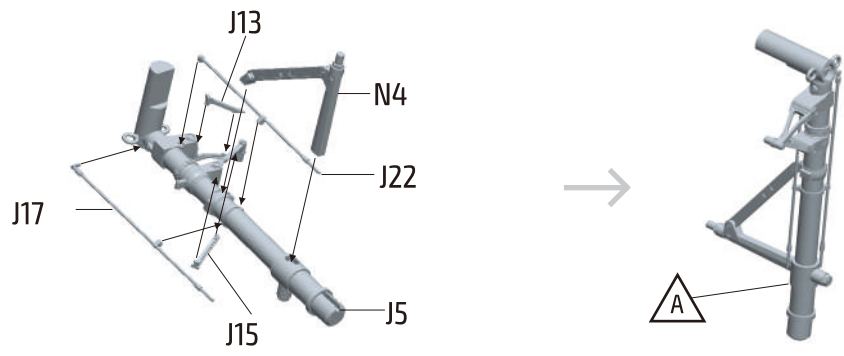
31



32

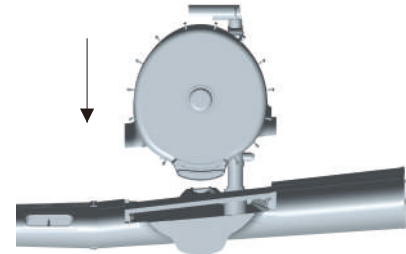
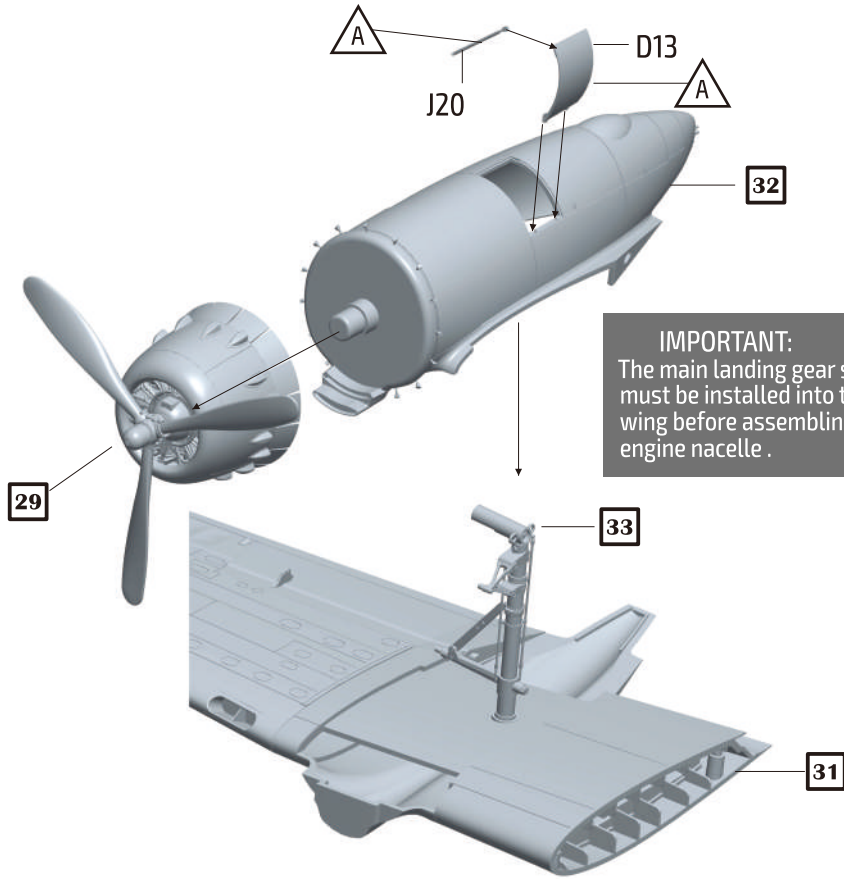


33

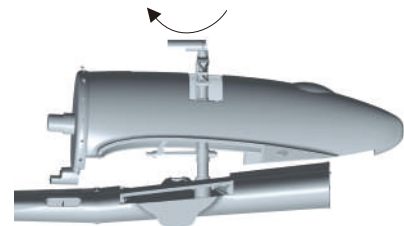


34

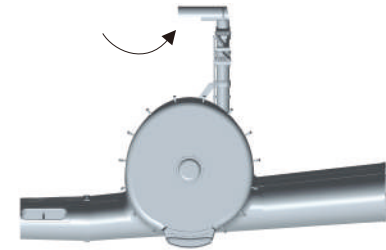
Port wing assembly with landing gear down



Pass the landing gear strut through the opening within the engine nacelle



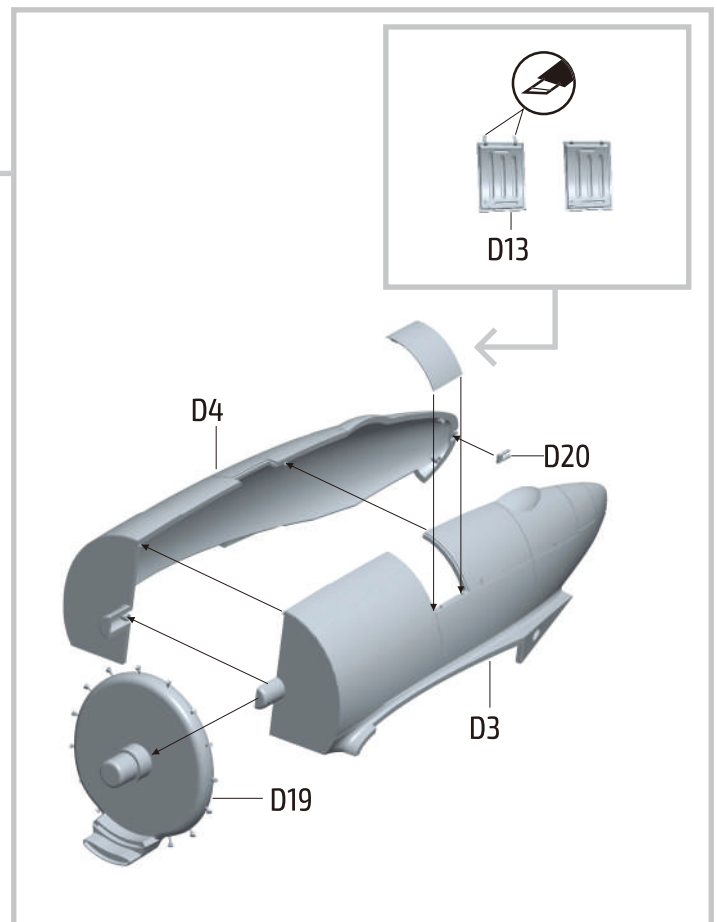
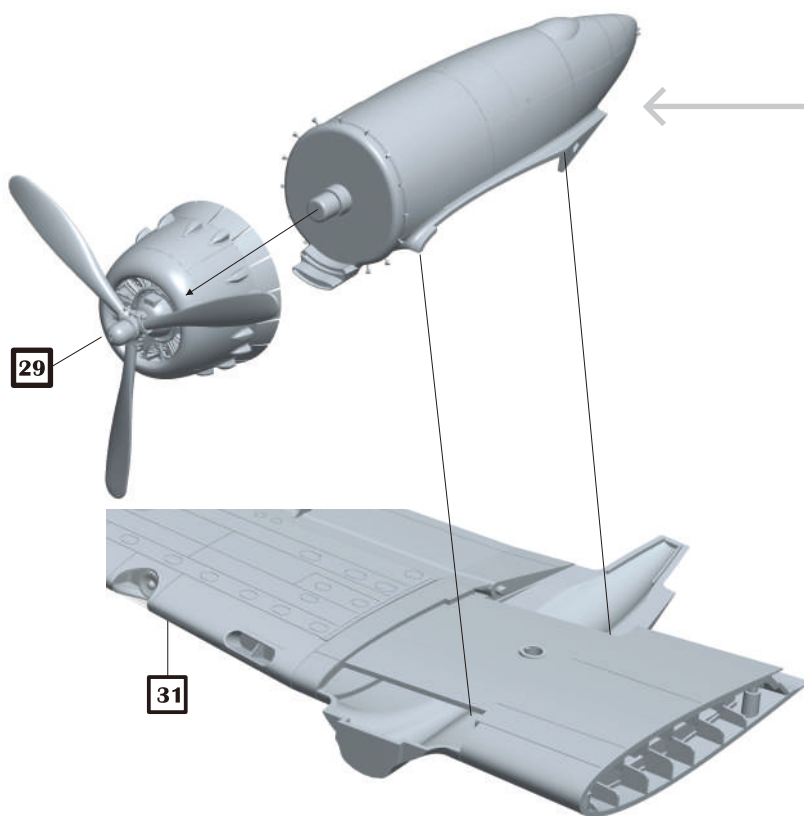
Turn the nacelle side way so the supporting structure pass through the nacelle.

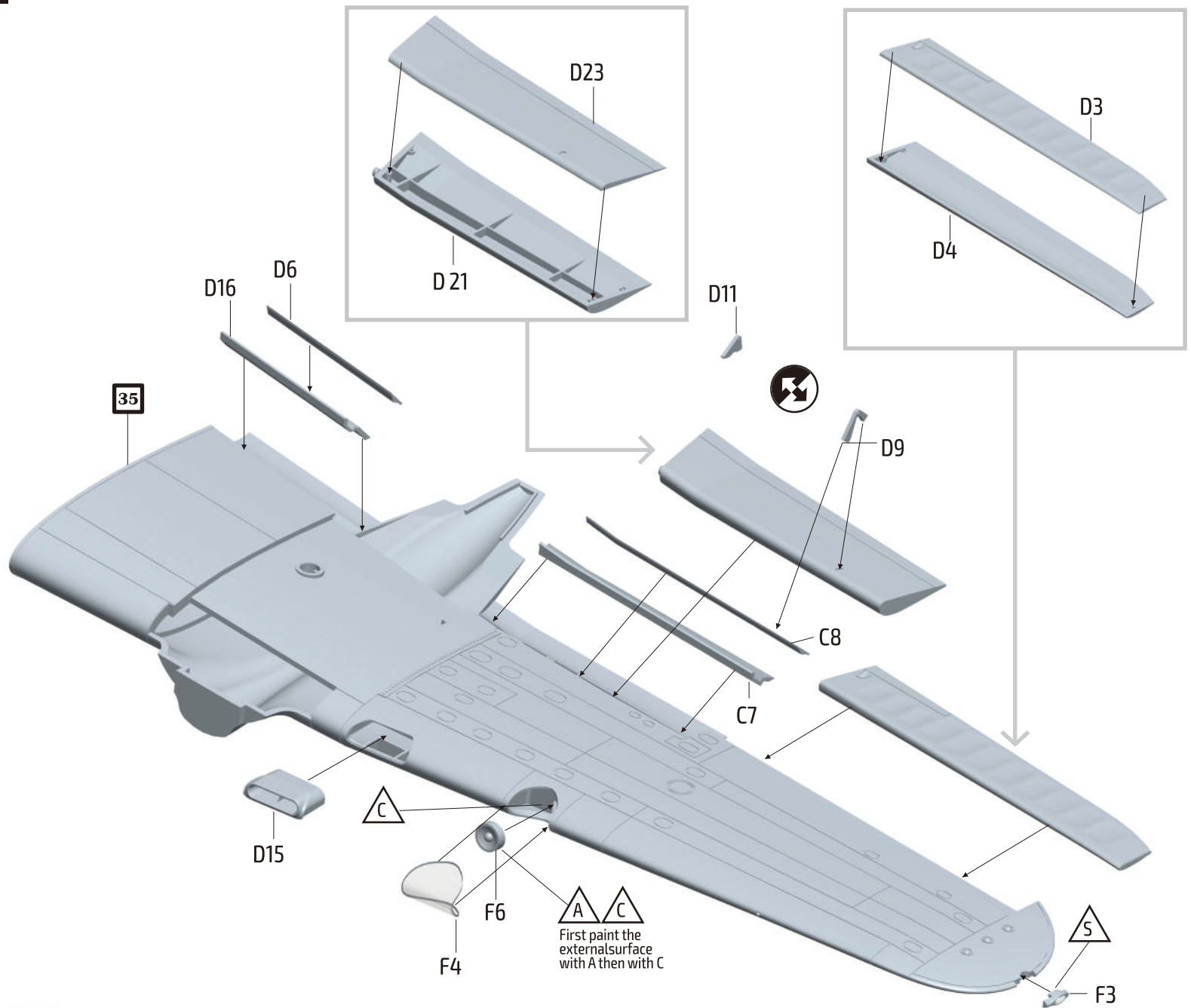
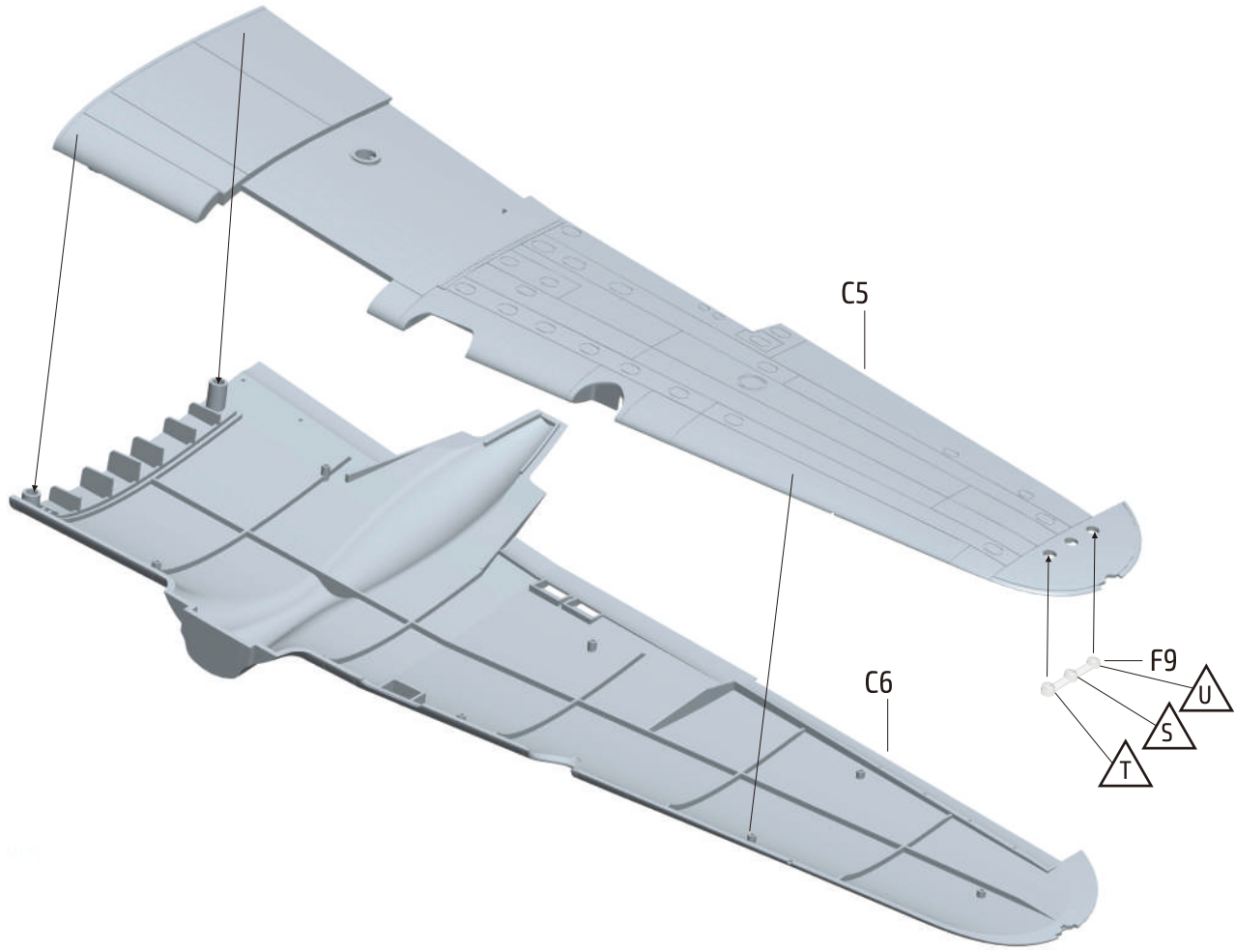


Turn the nacelle back to the right direction and install to the wing

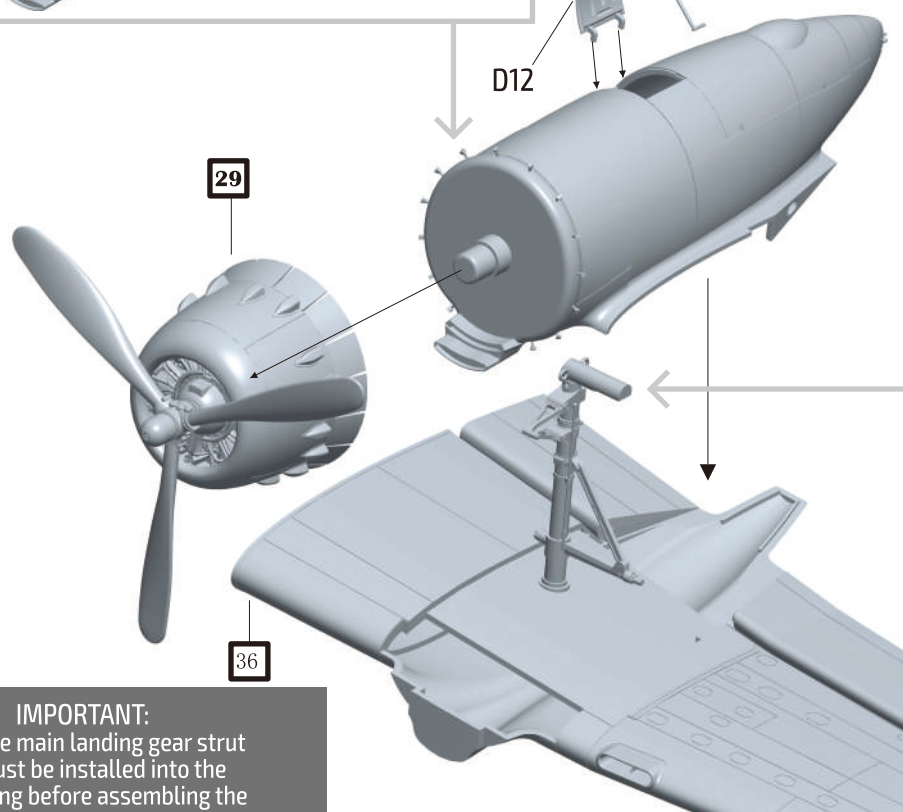
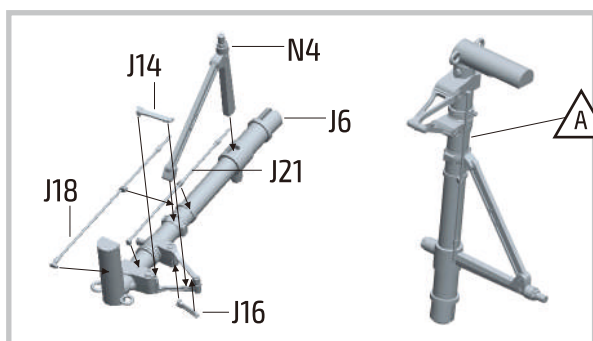
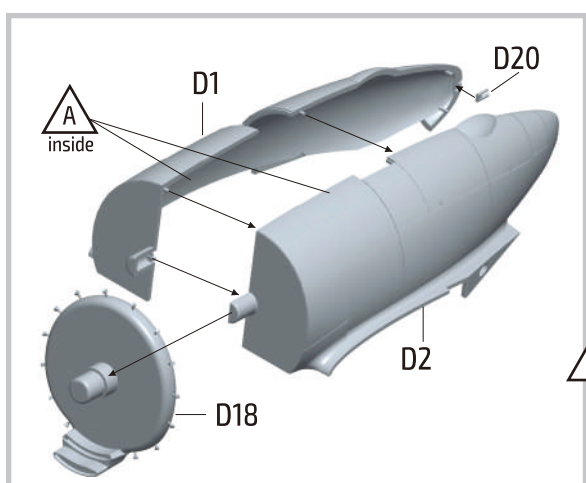


Port wing assembly with landing gear up

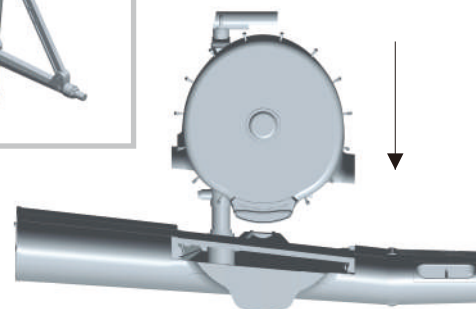




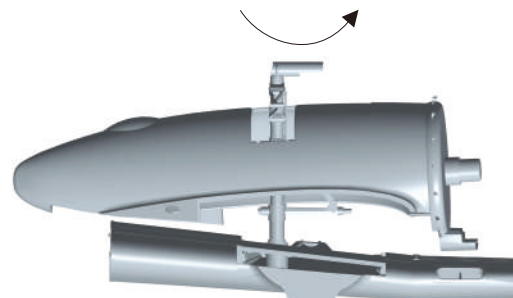
37 Starboard wing assembly with landing gear down



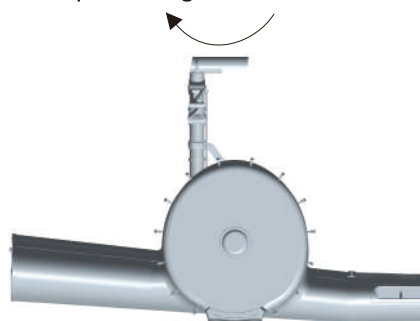
IMPORTANT:
The main landing gear strut must be installed into the wing before assembling the engine nacelle.



Pass the landing gear strut through the opening within the engine nacelle



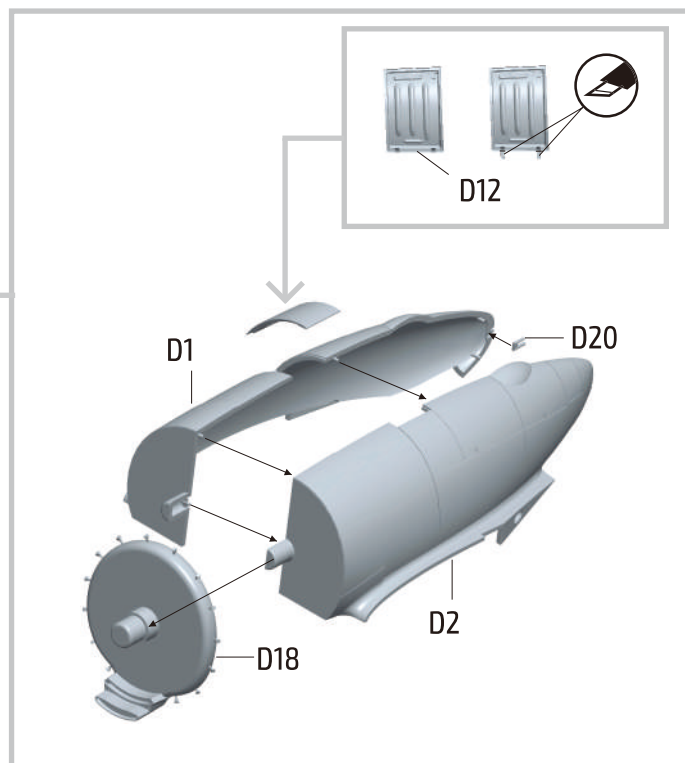
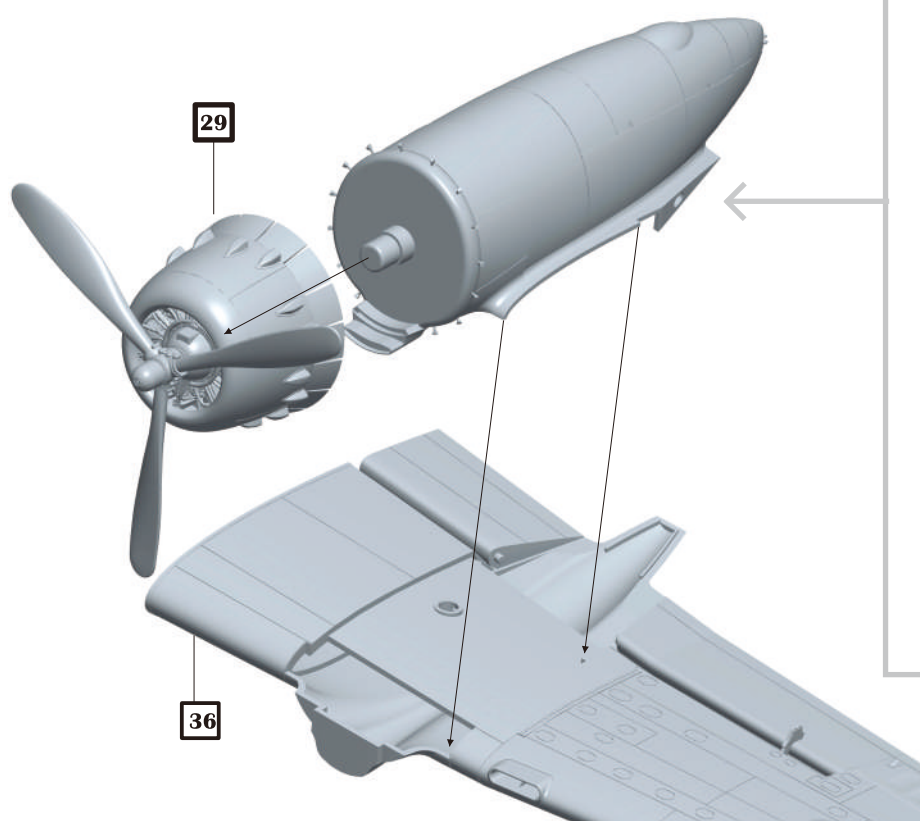
Turn the nacelle side way so the supporting structure pass through the nacelle.

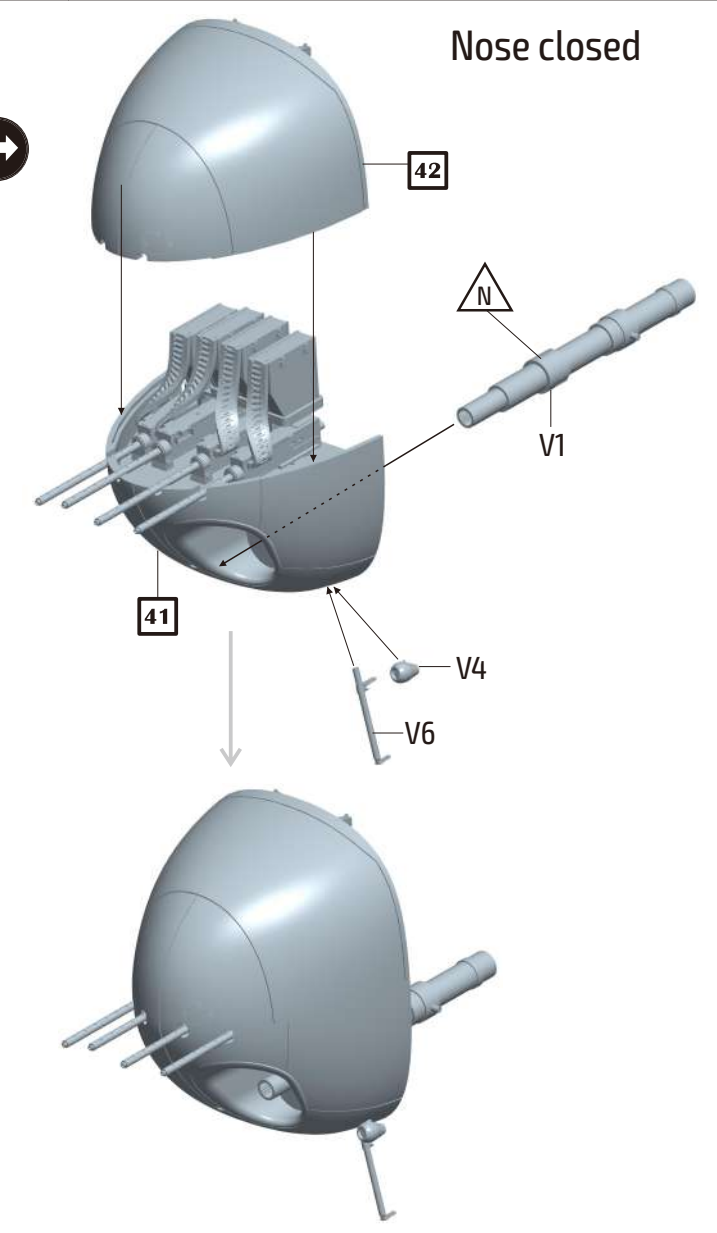
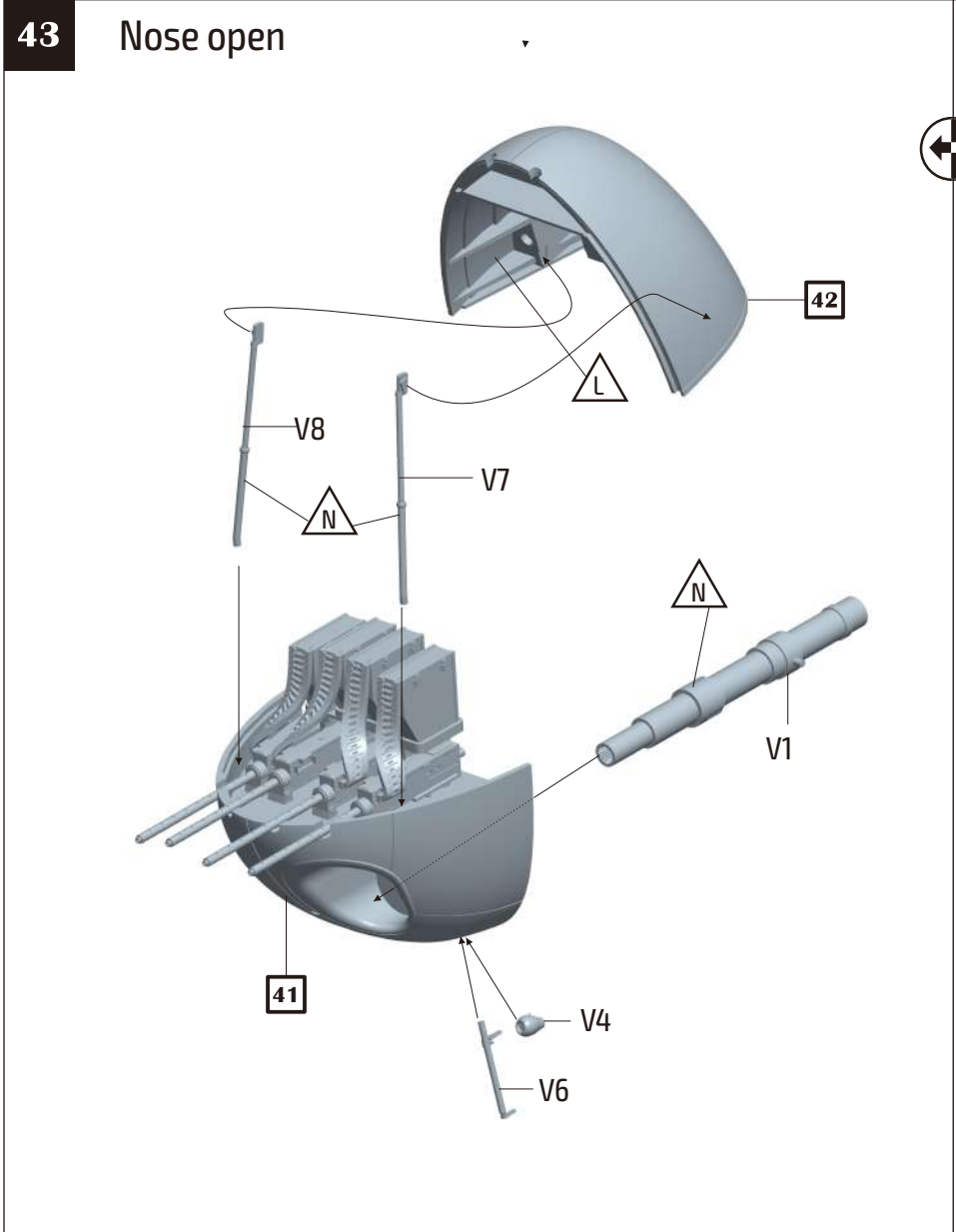
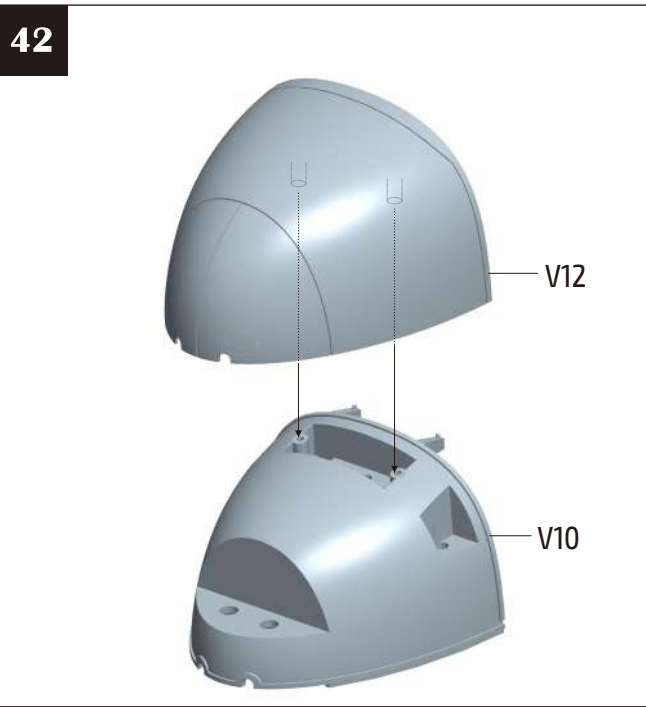
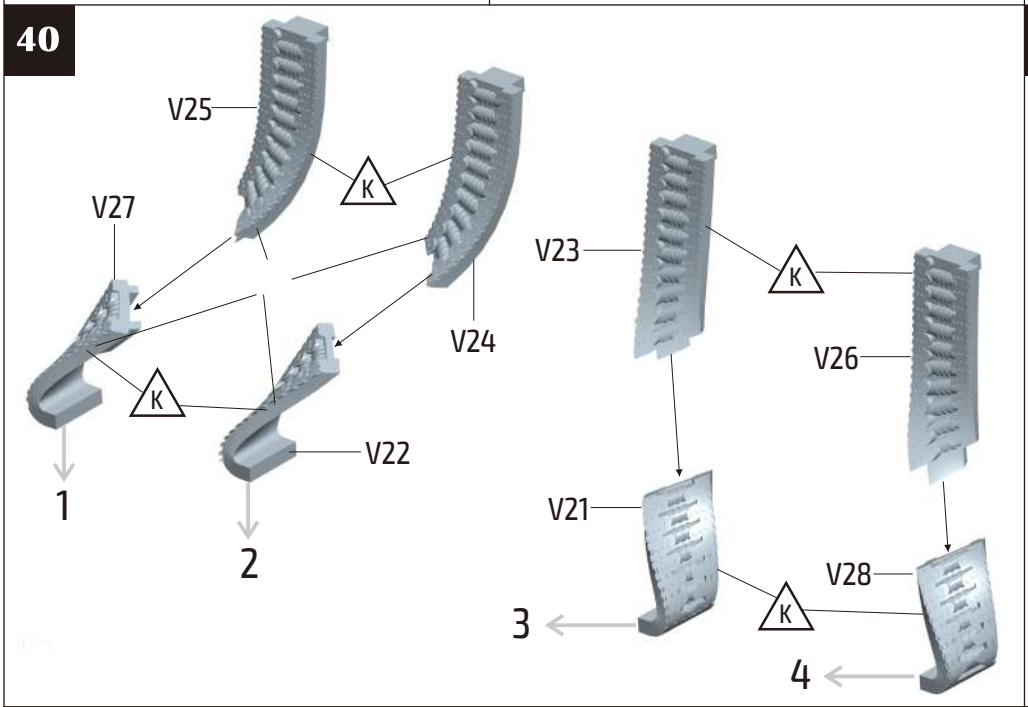
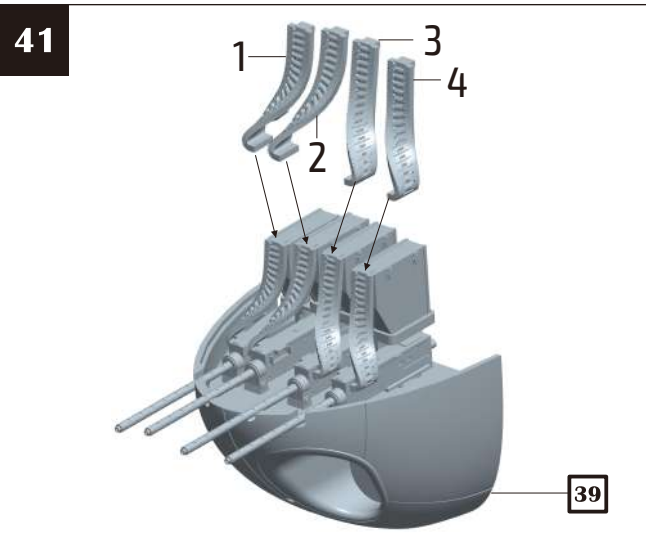
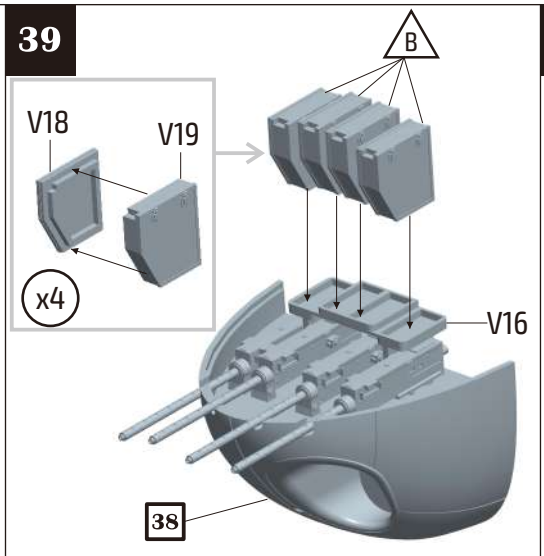
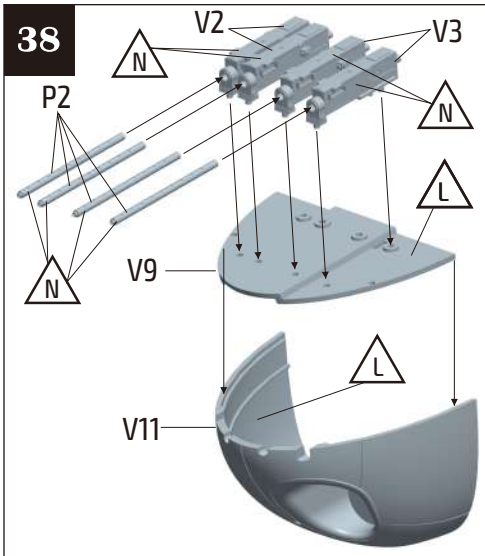


Turn the nacelle back to the right direction and install to the wing

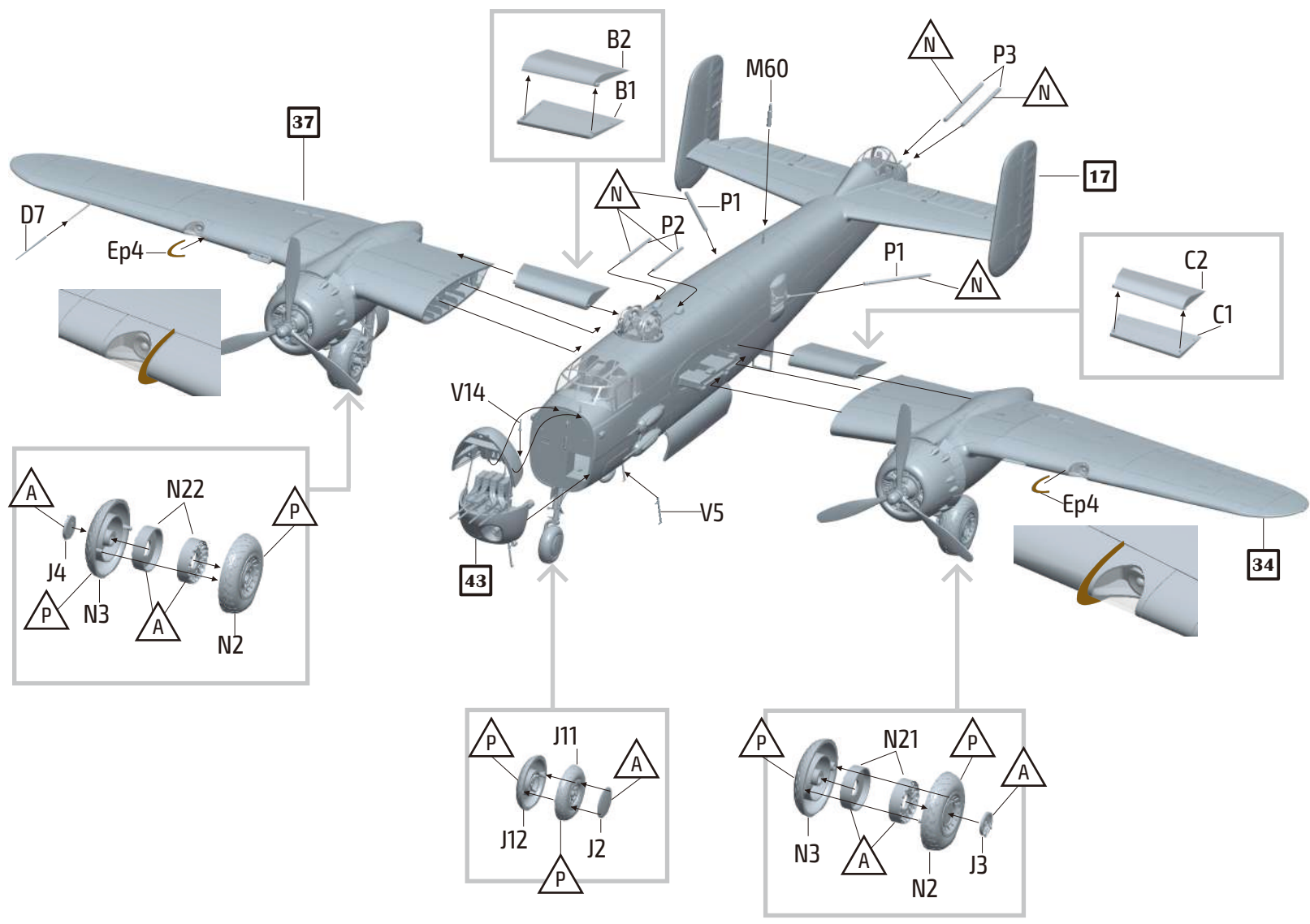


Starboard wing assembly with landing gear up

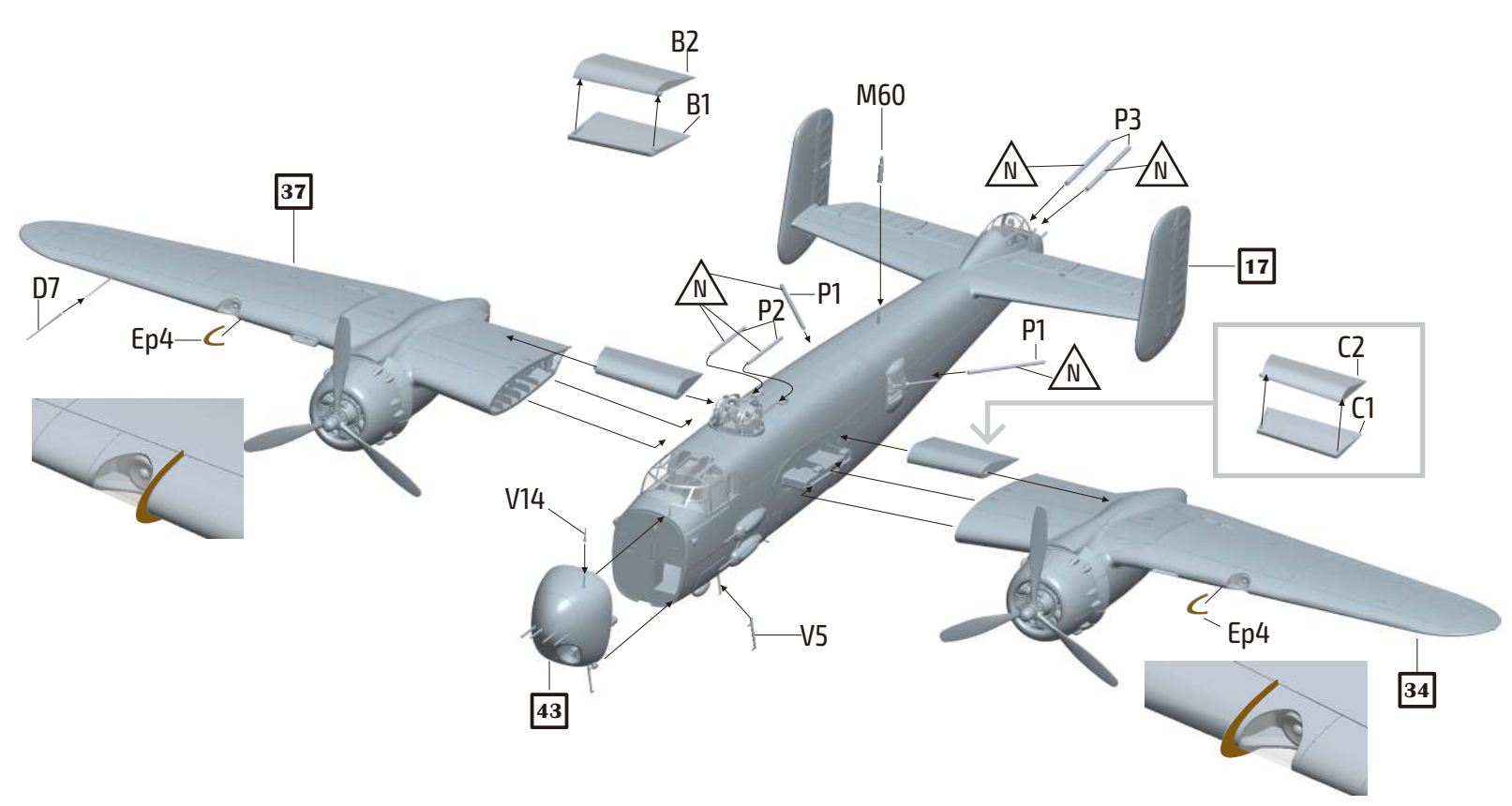




44 Final assembly with landing gear down

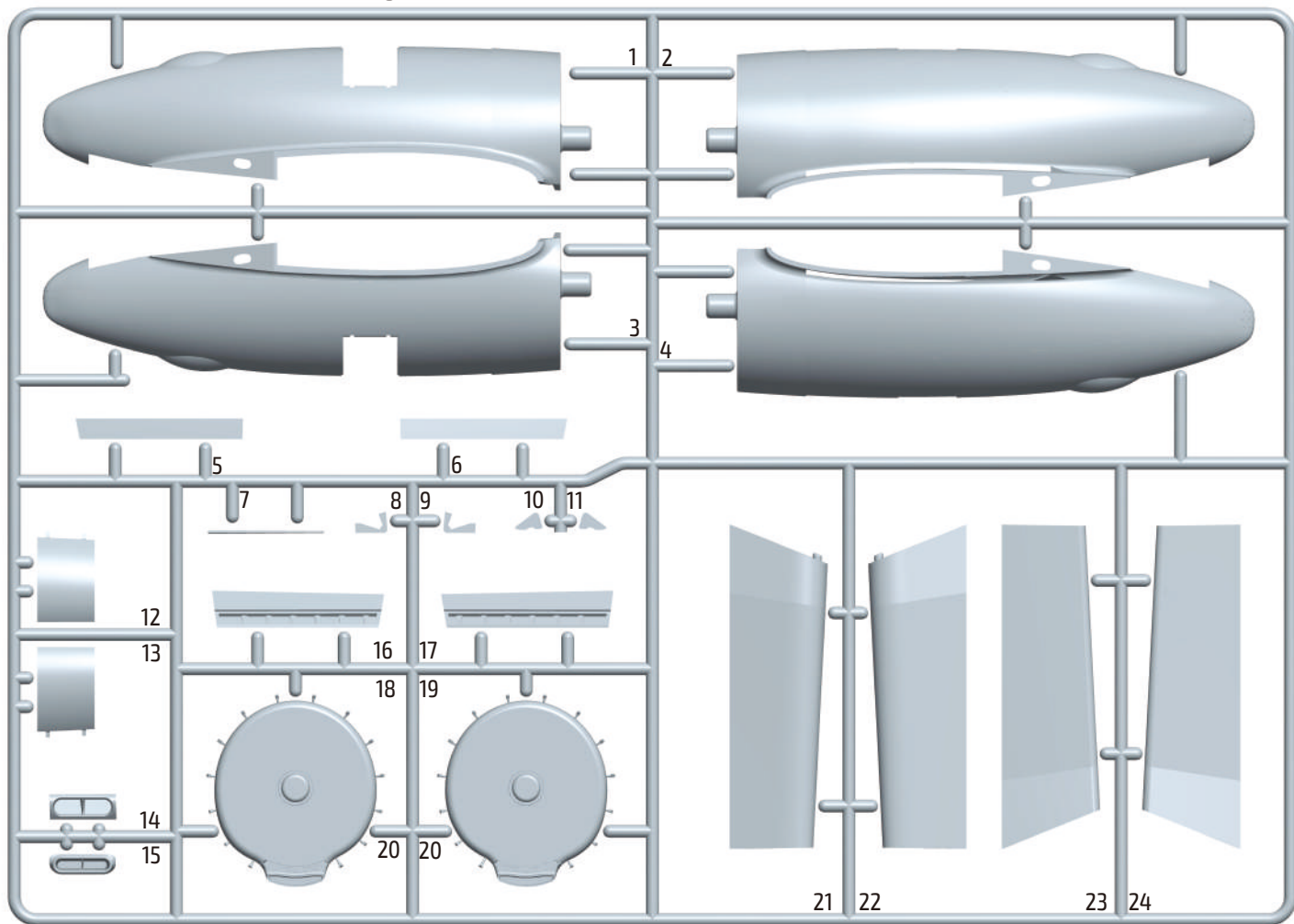


Final assembly with landing gear up

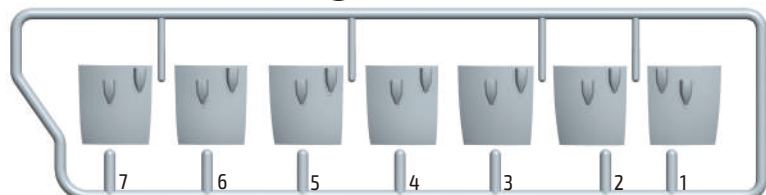


Parts

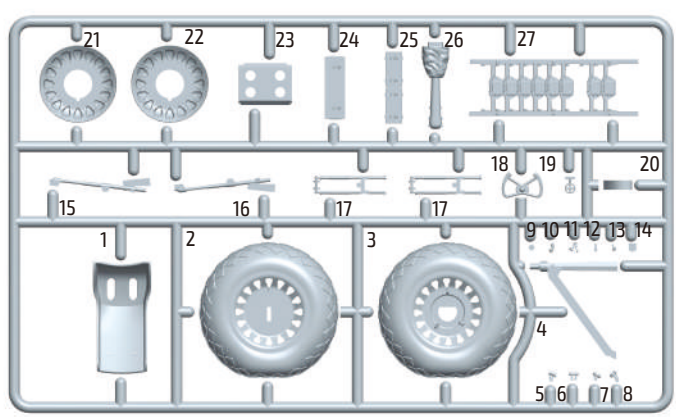
ⓓ PARTS



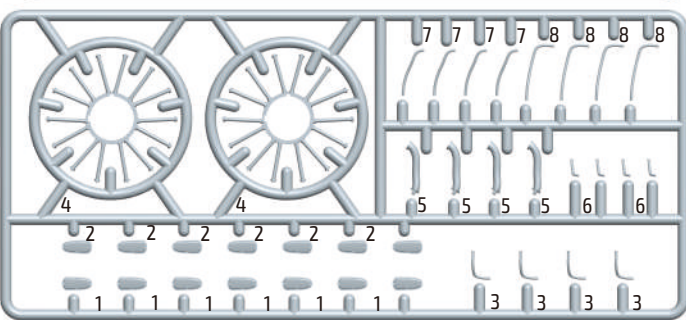
Ⓚ PARTS x2



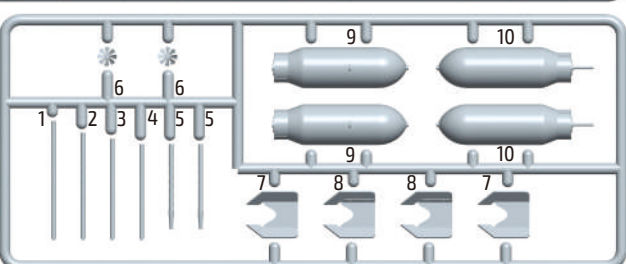
Ⓝ PARTS x2



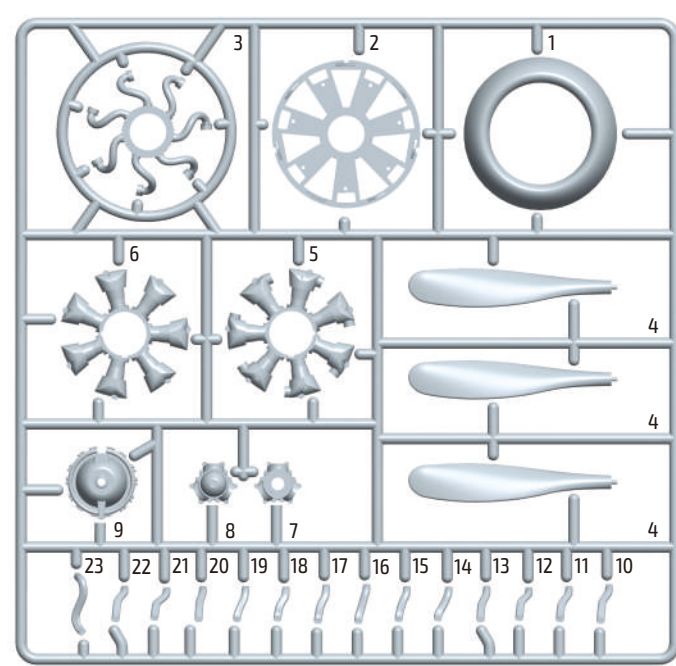
Ⓞ PARTS x4



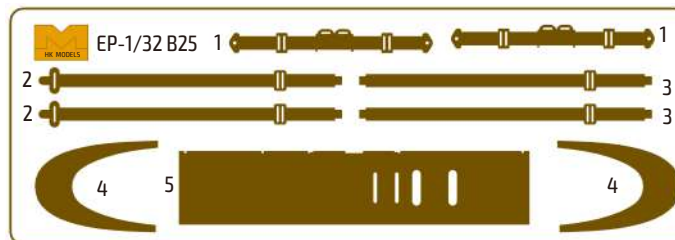
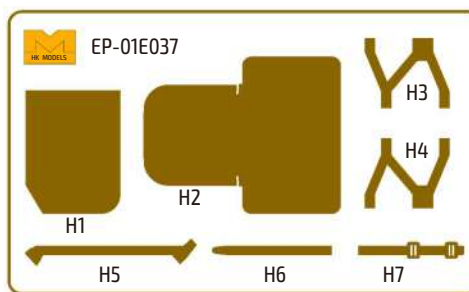
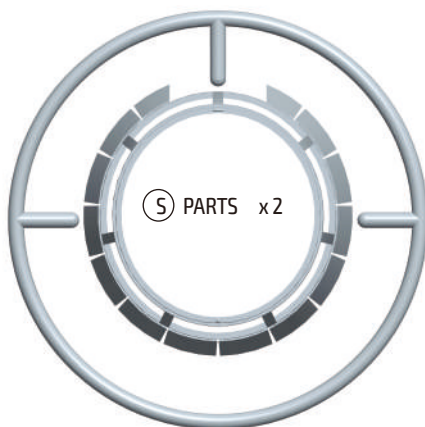
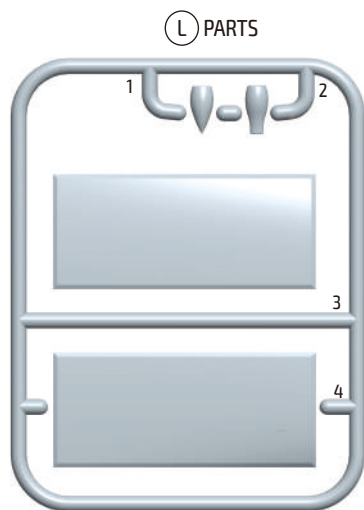
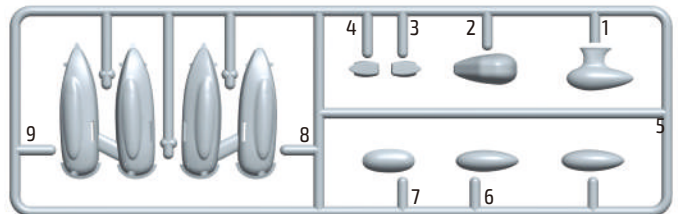
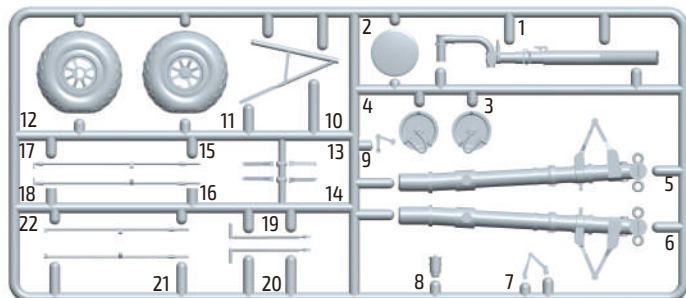
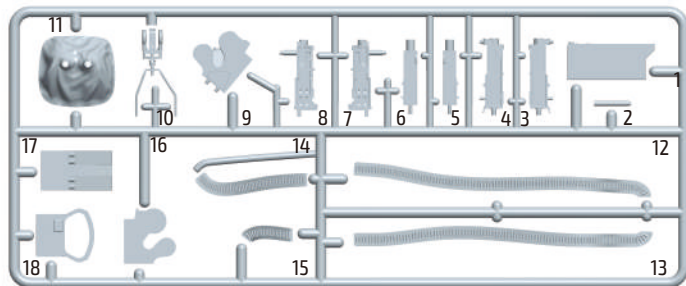
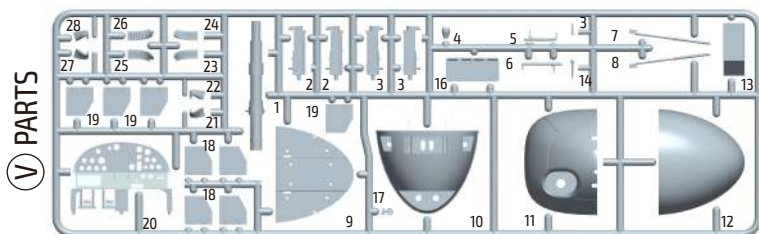
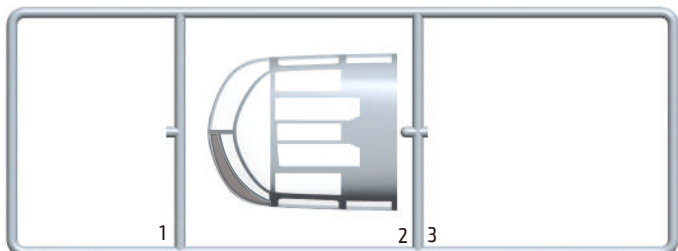
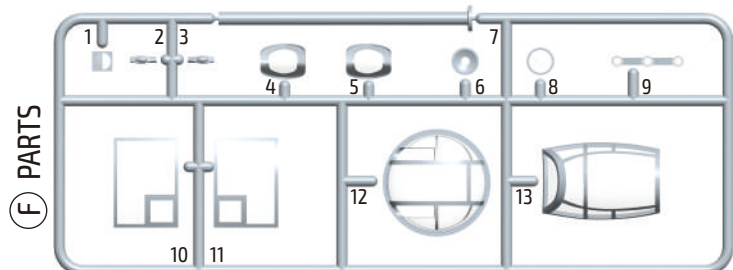
Ⓟ PARTS x3



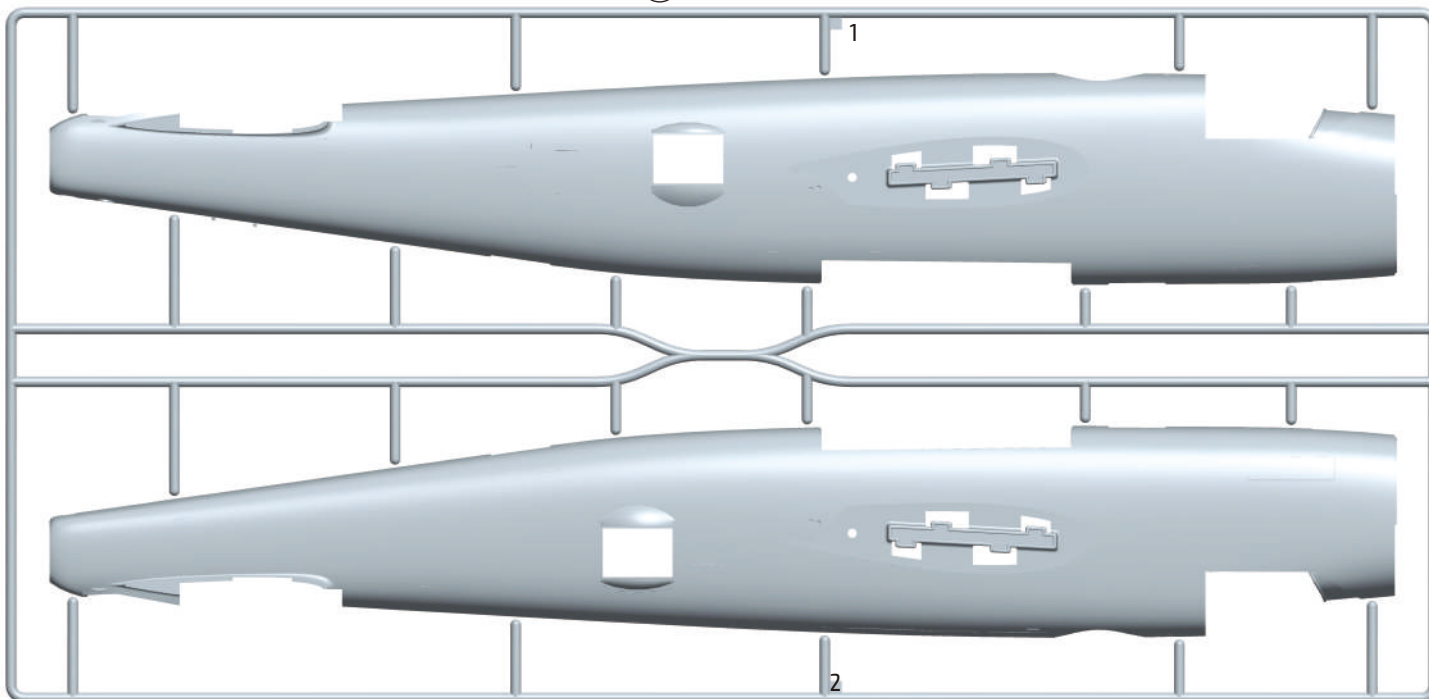
Ⓡ PARTS x2



Parts

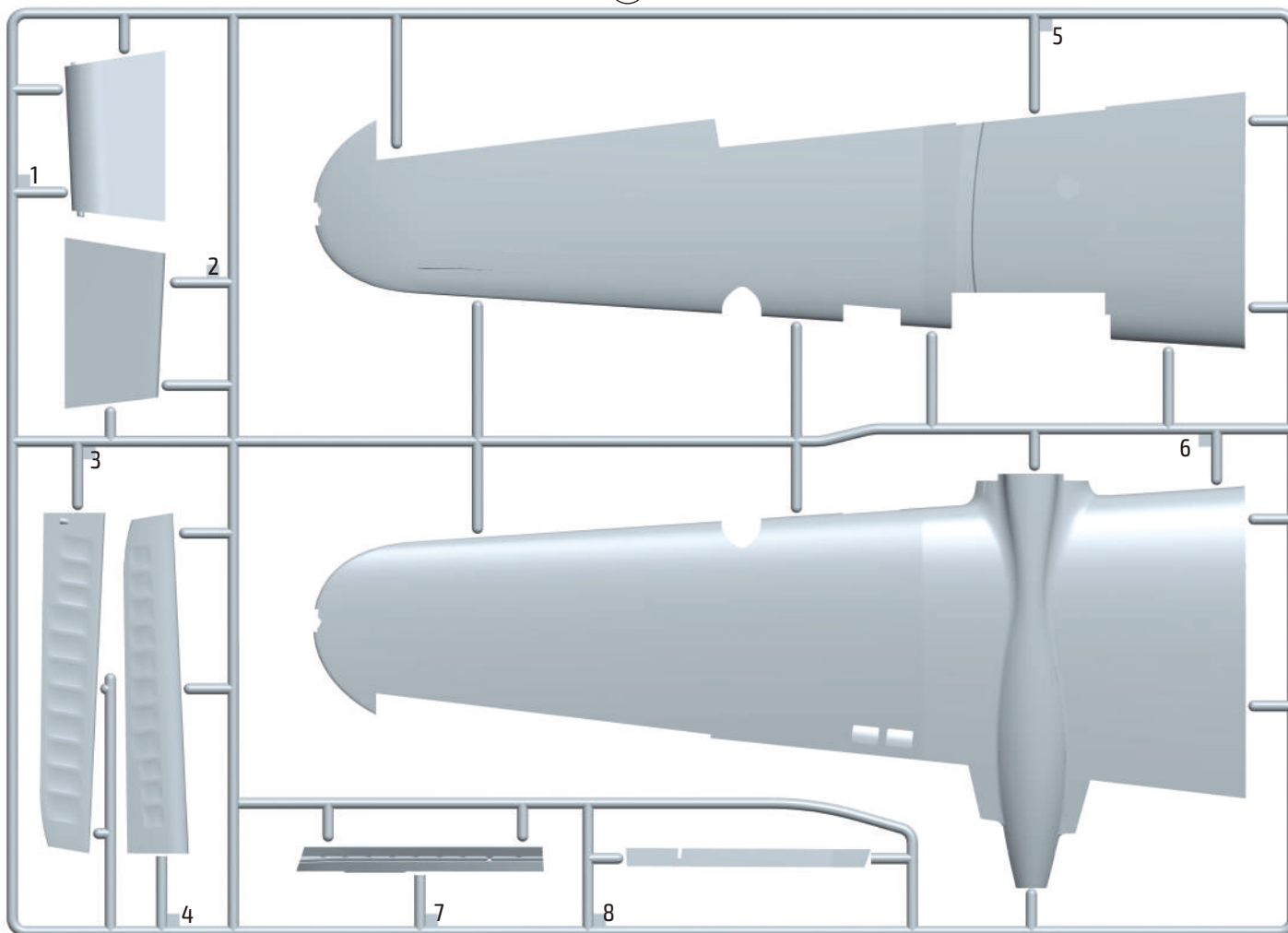


A PARTS

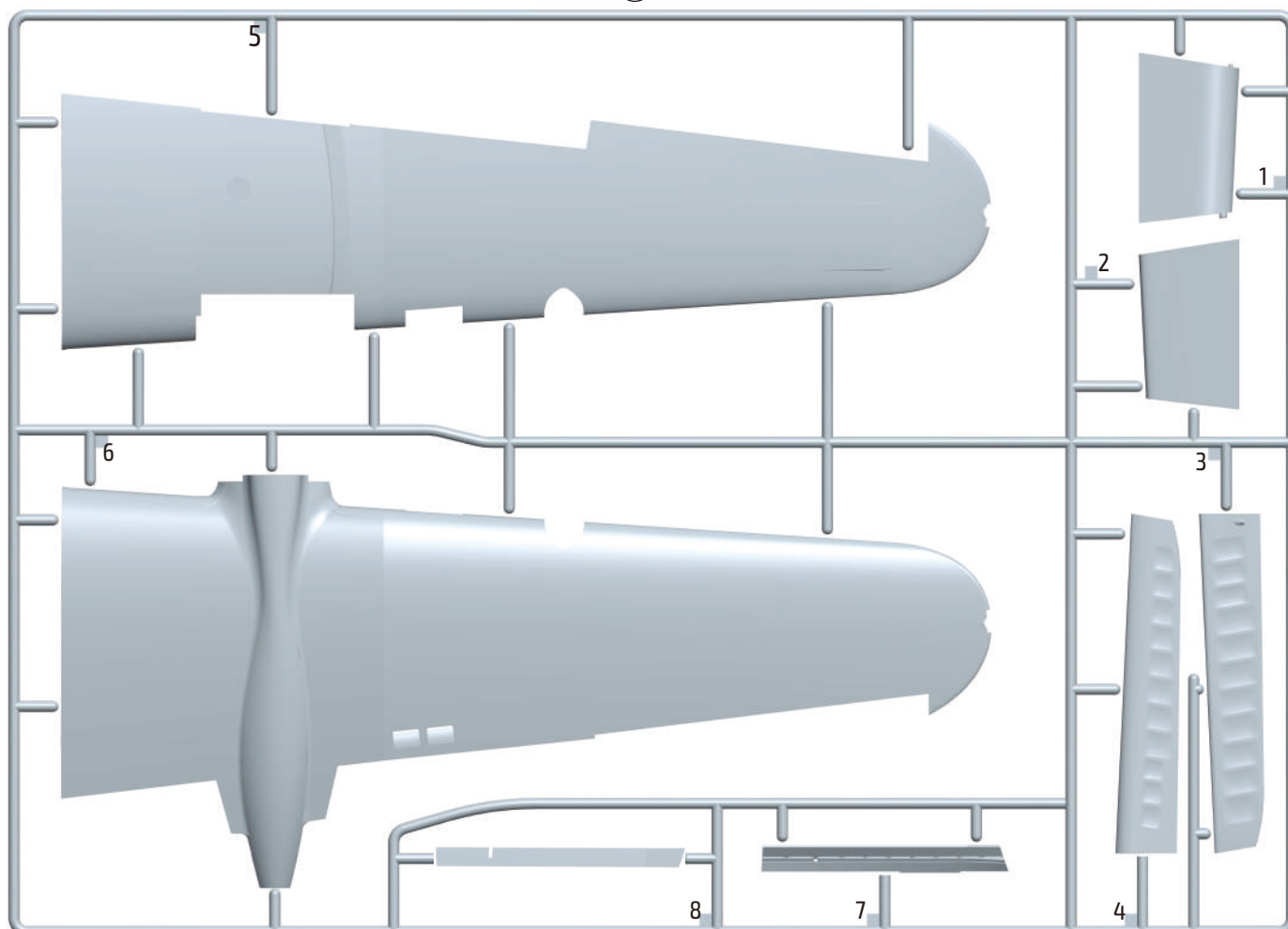


Parts

Ⓑ PARTS

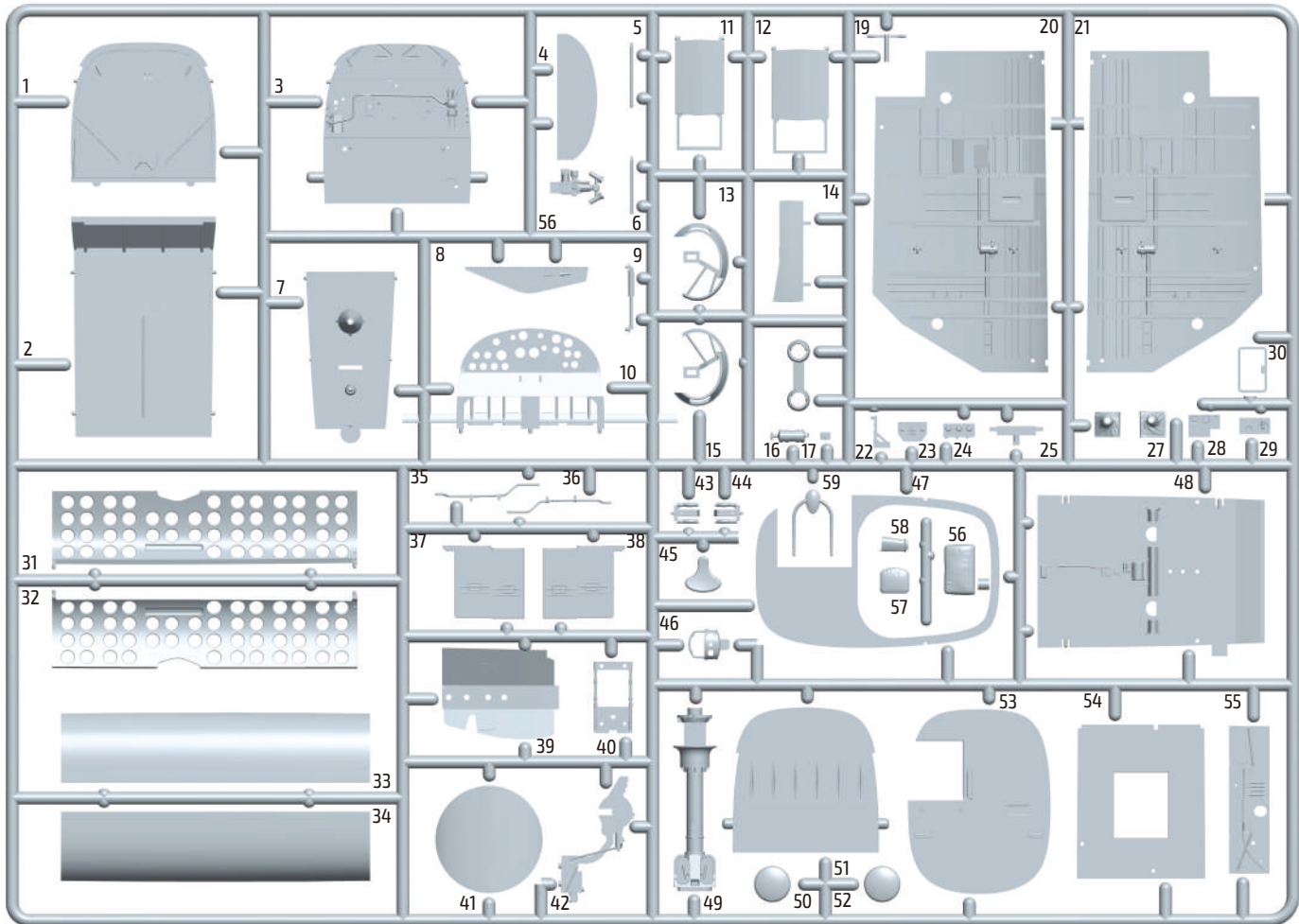


Ⓒ PARTS

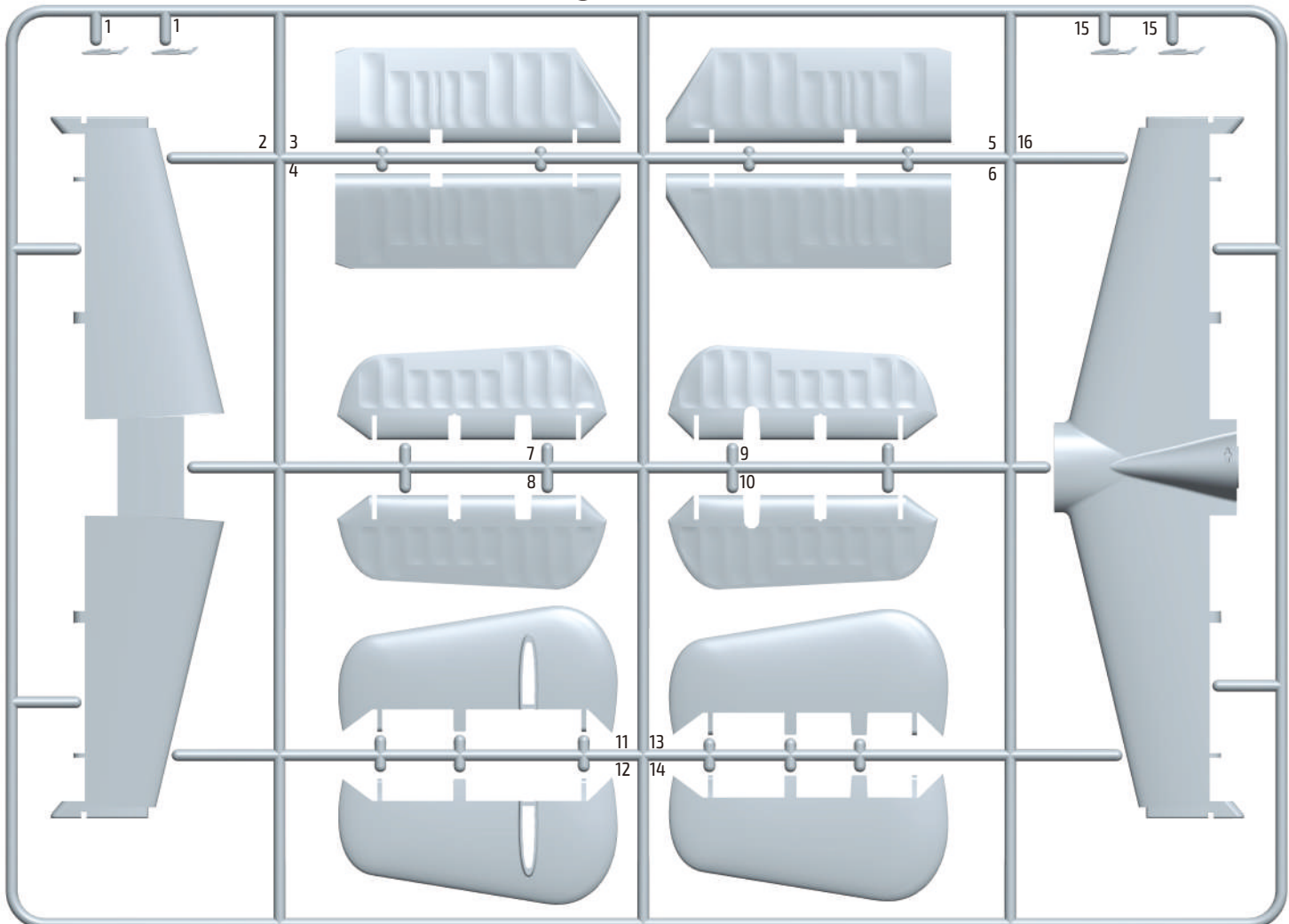


Parts

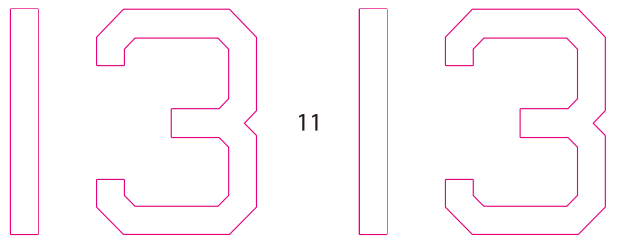
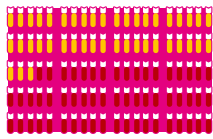
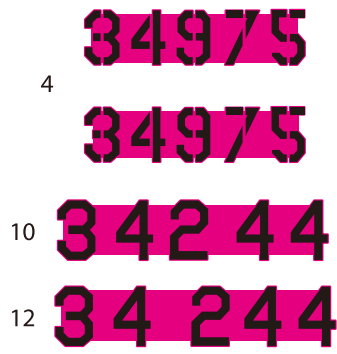
(M) PARTS



(E) PARTS

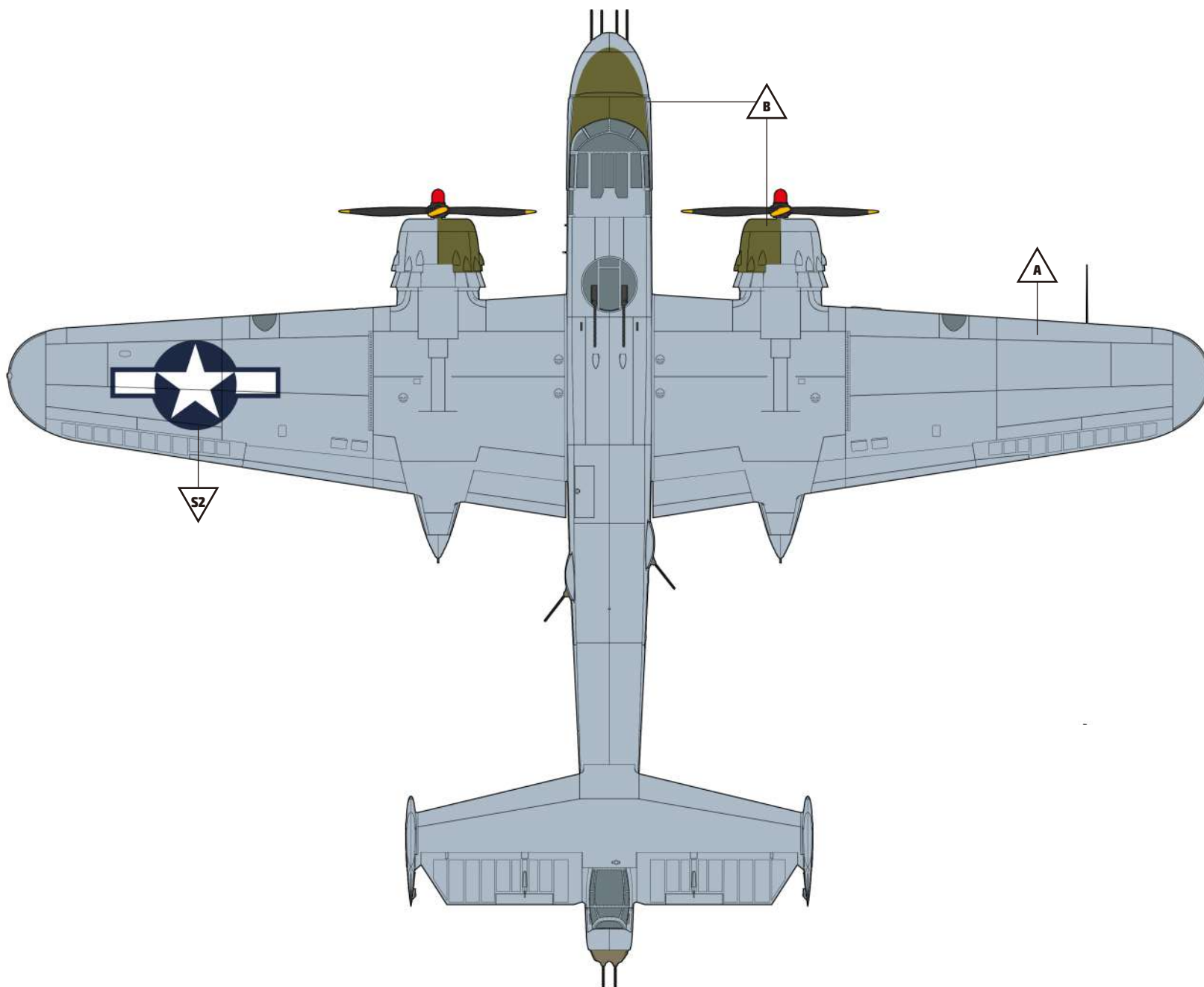
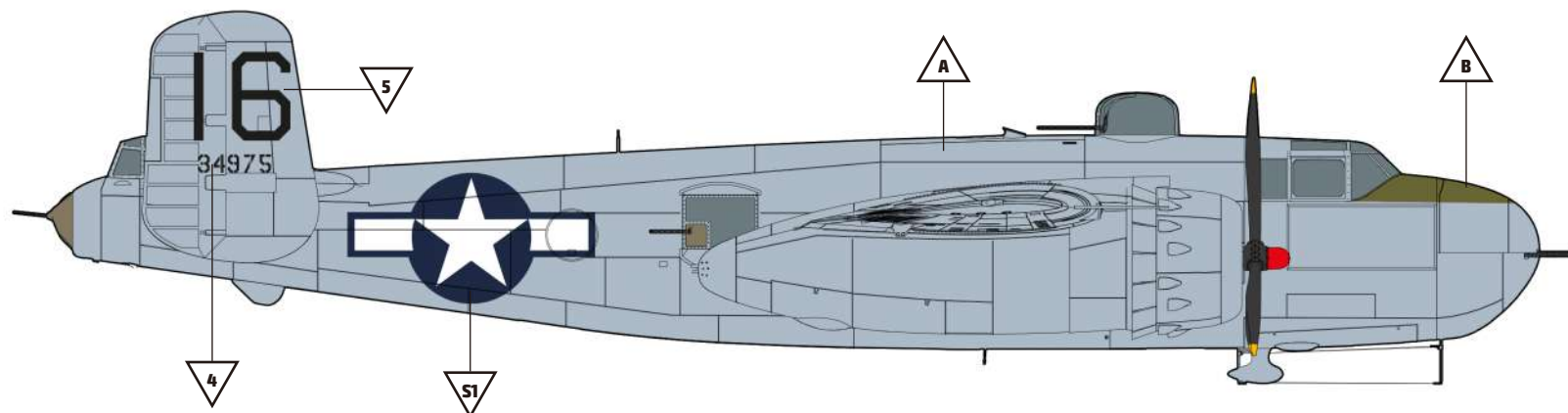


Decals



HK Models 01E037 B-25H Gunships over CBI

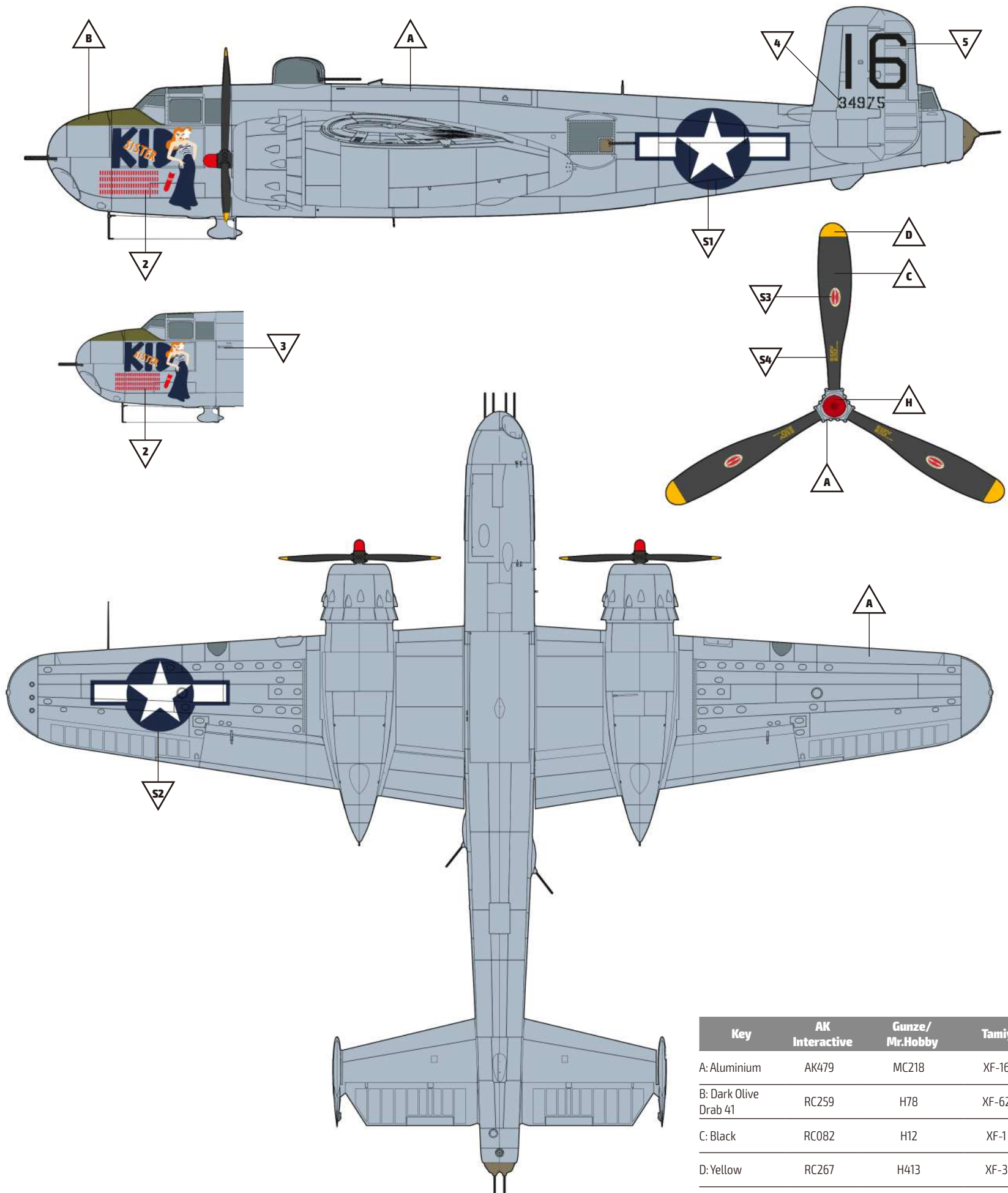
PRINTED BY CARTOGRAF.COM MADE IN ITALY



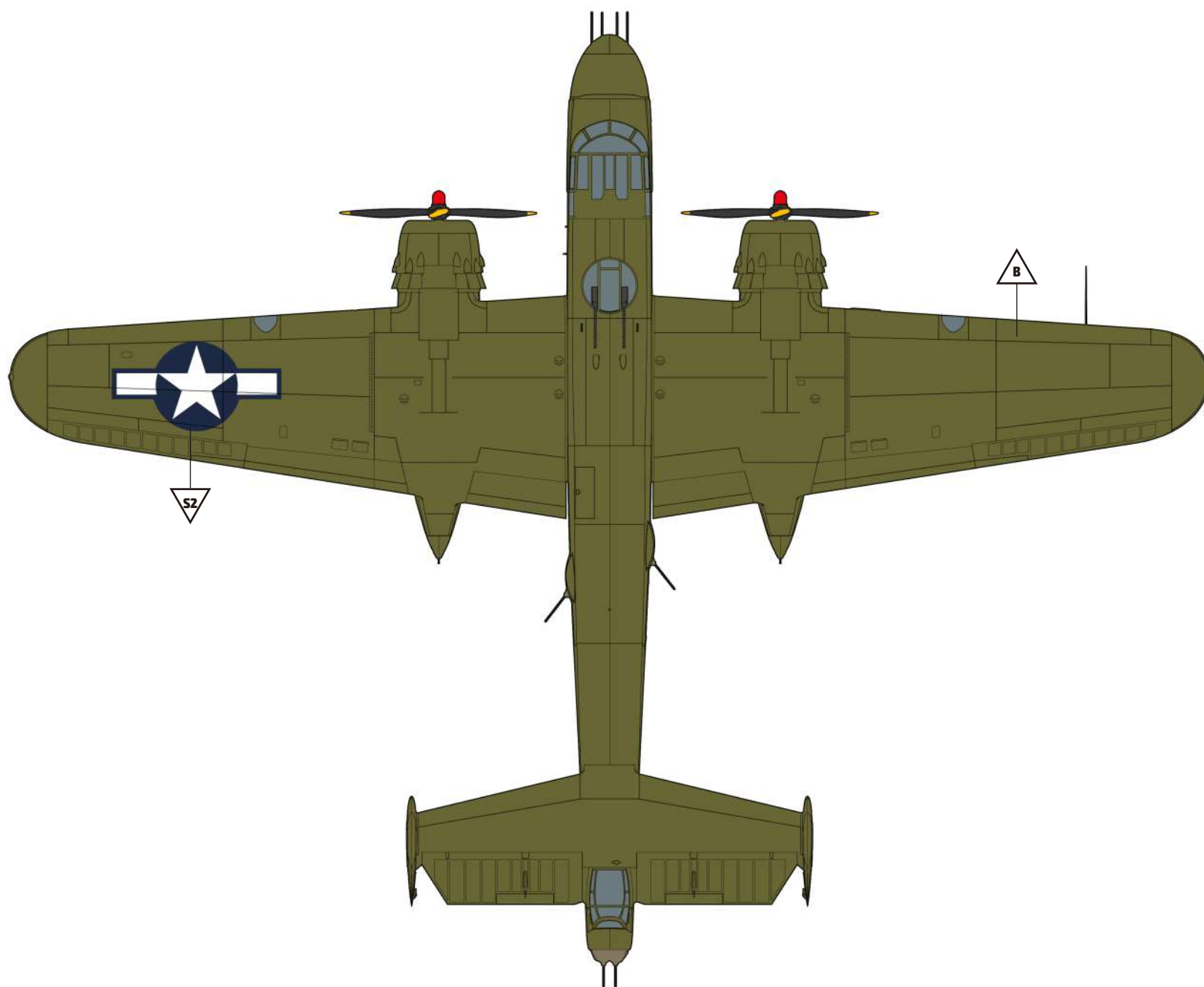
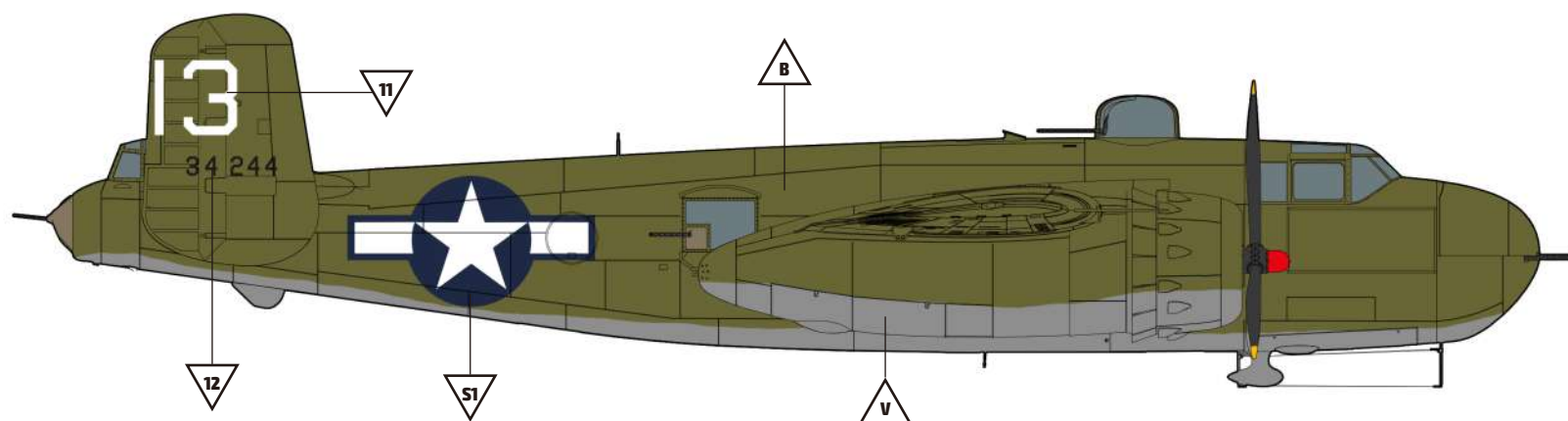
MARKING

A

B-25H-10-NA, s/n 43-4975, 81st BS/12th BG, India, spring 1945



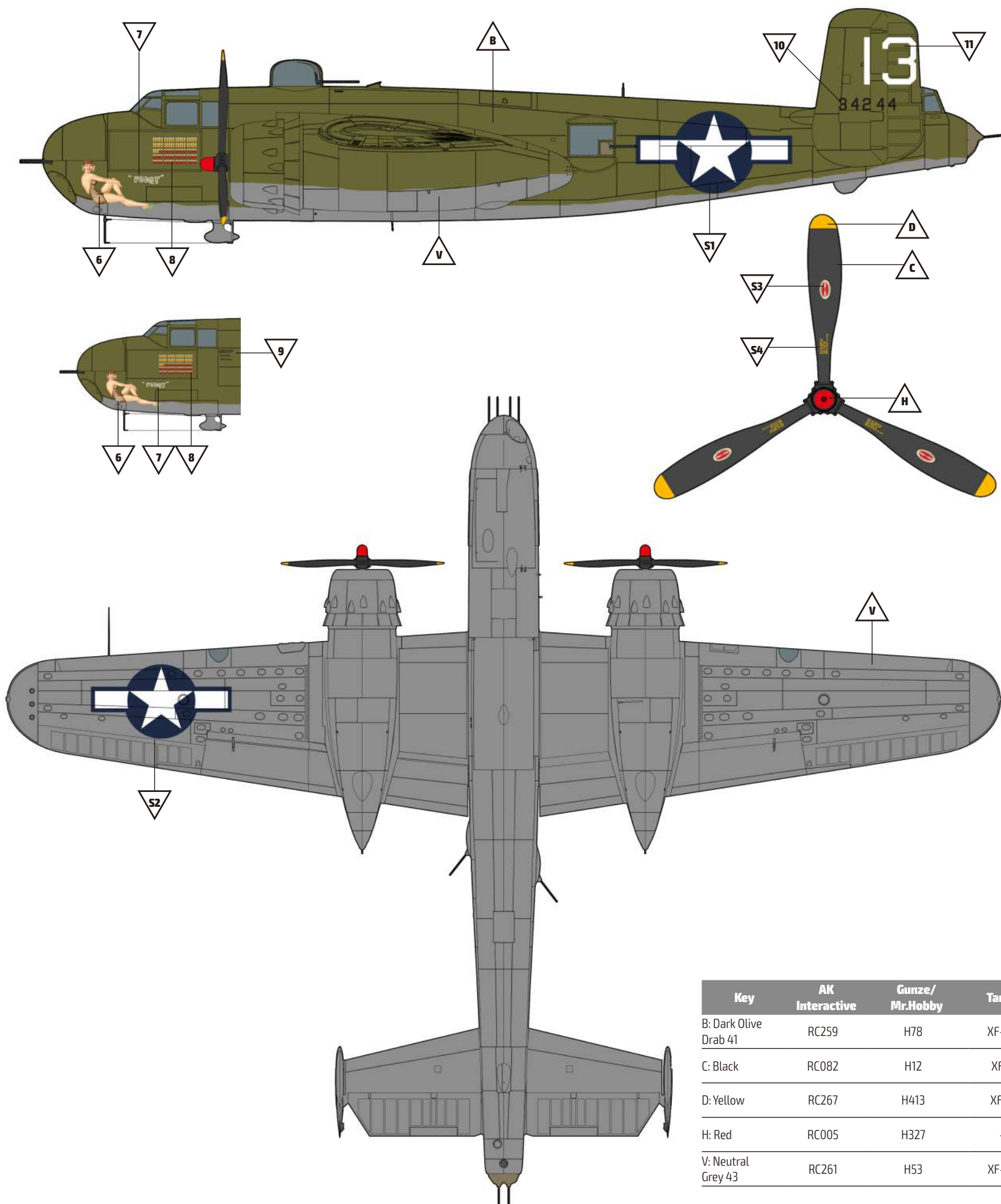
Key	AK Interactive	Gunze/Mr.Hobby	Tamiya
A: Aluminium	AK479	MC218	XF-16
B: Dark Olive Drab 41	RC259	H78	XF-62
C: Black	RC082	H12	XF-1
D: Yellow	RC267	H413	XF-3
H: Red	RC005	H327	-



MARKING

B

B-25H-1-NA, s/n 43-4244, 81st BS/12th BG, India, spring 1945



Key	AK Interactive	Gunze/Mr.Hobby	Tamiya
B: Dark Olive Drab 41	RC259	H78	XF-62
C: Black	RC082	H12	XF-1
D: Yellow	RC267	H413	XF-3
H: Red	RC005	H327	-
V: Neutral Grey 43	RC261	H53	XF-53

Colour Guide

Key	AK Interactive	Tamiya	Gunze/Mr.Hobby
A: Aluminium	AK479	XF-16	MC218
B: Dark Olive Drab 41	RC259	XF-62	H52
C: Black	RC082	XF-1	H12
D: Yellow	RC267	XF-3	H413
E: Blue	RC010	-	H5
F: Dull Dark Green	RC230	XF-26	H302
G: Light Green	RC078	XF-21	-
H: Red	RC005	-	H327
I: White	RC004	XF-2	H11
J: Insignia Blue	RC258	-	H326
K: Brass	AK475	XF-12	MC219
L: Yellow-Green	RC262	XF-4:5 + XF-1:1	-
M: Brown	RC225	XF-52	H310
N: Gunmetal	RC015	X-10	MC214
O: Grey	RC296	XF-77	H331
P: Rubber Black	RC022	XF-85	H77
Q: Steel	AK476	XF-56	H18
R: Burnt Metal	AK485	87085	H76
S: Clear Green	RC505	X-25	H94
T: Clear Red	RC503	X-27	H90
U: Clear Orange	RC506	X-26	H92

In cooperation with:



www.ak-interactive.com



Large
Scale
Modeller

www.largescalemodeller.com

General kit help/reference: **Large Scale Modeller**
Illustration, manual layout and format: **HK Models, & AK-Interactive**
Manual and assistance: **AK-Interactive**
Introductory text: **Cees Broere**