



Supermarine Spitfire Mk.VA

32003



OPEN HOLE
FORO APERTO
OFFNEN
HACER AQUJERO
WYKONAĆ OTWÓR
FAIRE UN TROU
VYVRTAT OTVOR



DECAL
DECALCOMANIE
ABZIEHBILD
CALCOMANIA
KALKOMANIA
DECALCOMANIE
OBTISK



REMOVE
RETIRER
ENTFERNEN
CORTAR
WYCIĄĆ
SEPARARE
ODSTRANIT



OPTION
FACULTATIF
NACH BELIEBEN
HACER AQUJERO
DO WYBORU
FACOLTATIVO
VOLBA



FILL HOLE
FORO PIENO
SCHLIESSEN
EMPUJE EL AQUJERO
ZAMKNAĆ OTWÓR
BOUCHER LE TROU
ZAKRYTJE OTVOR



DO NOT CEMENT
NE PAS COLLER
NICHT KLEBEN
NO PEGAR
NIE SKLEJĄĆ
NON INCOLLARE
NELEPIT

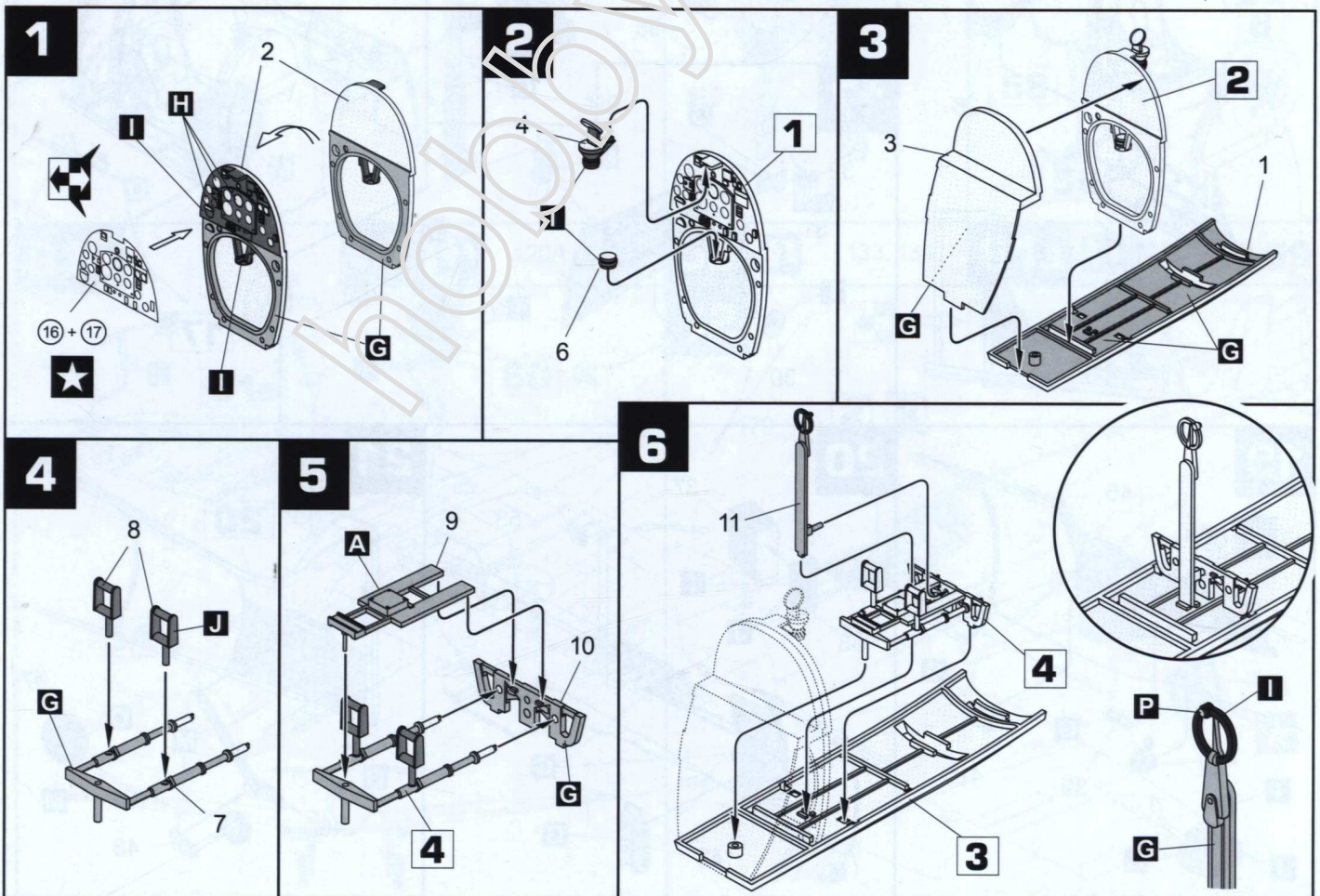


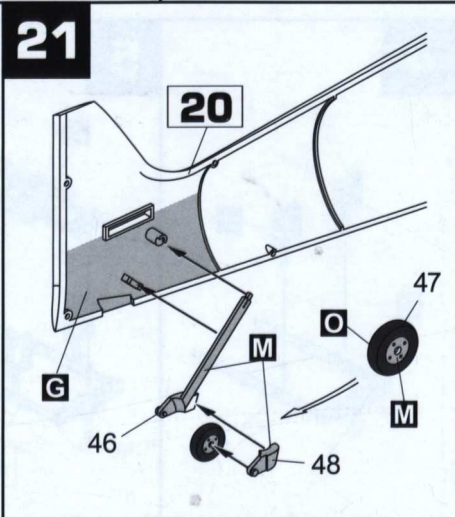
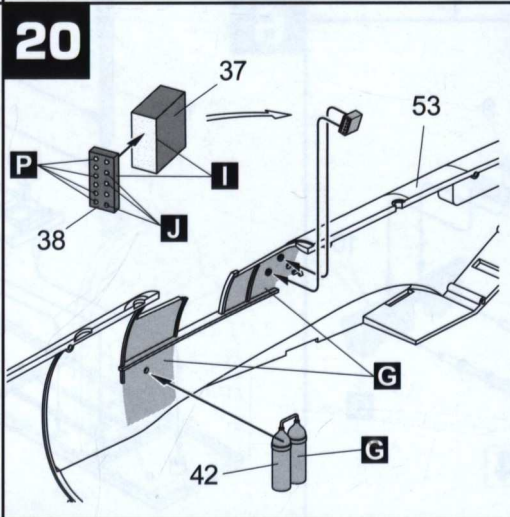
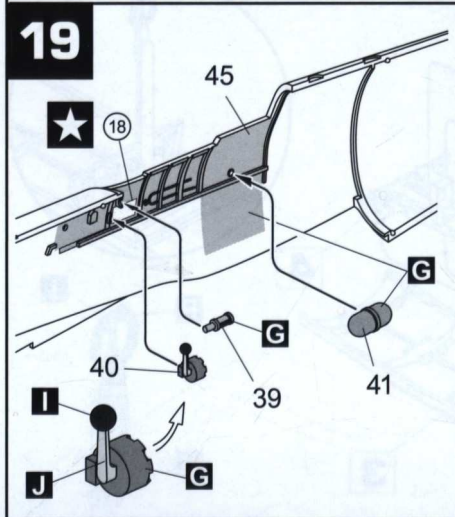
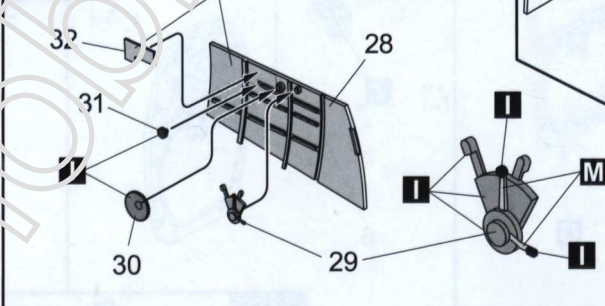
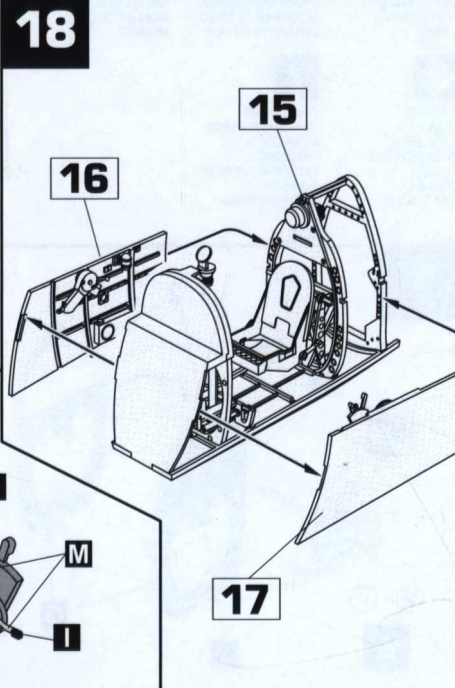
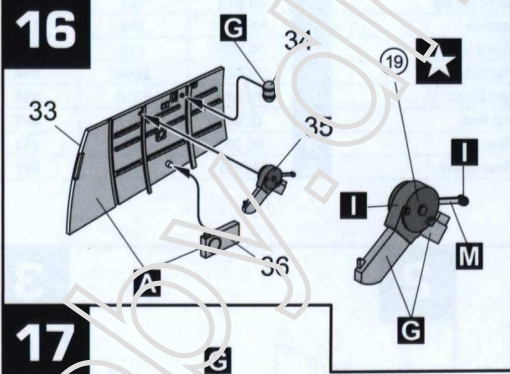
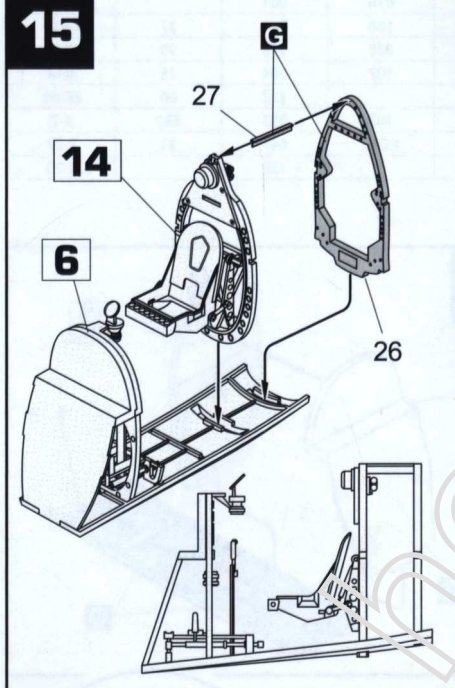
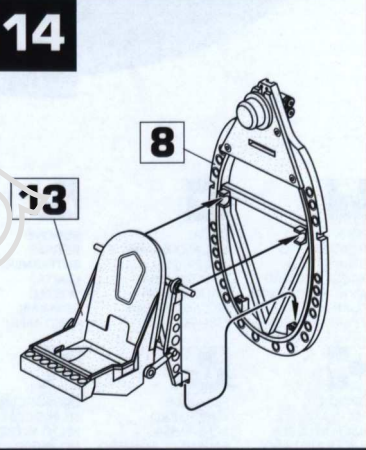
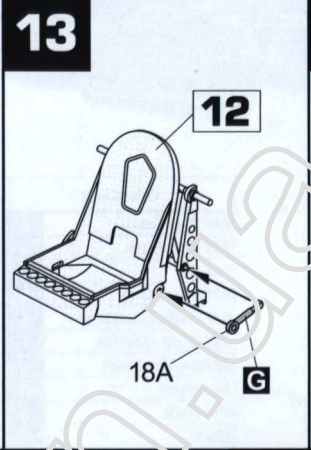
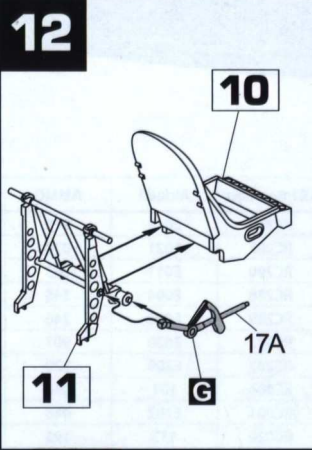
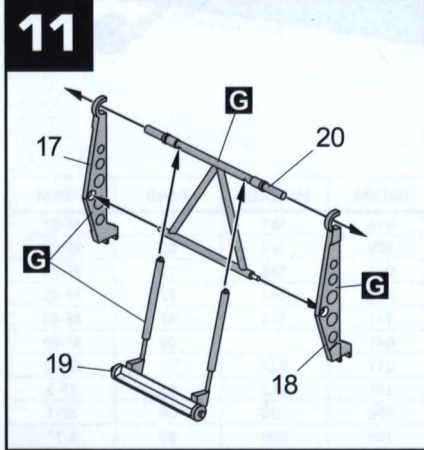
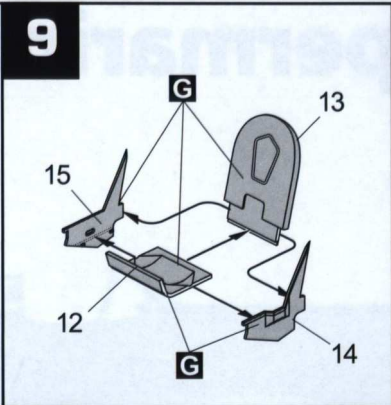
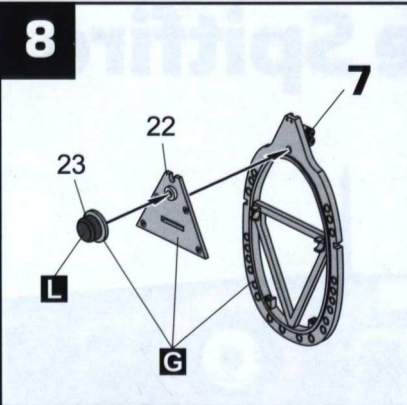
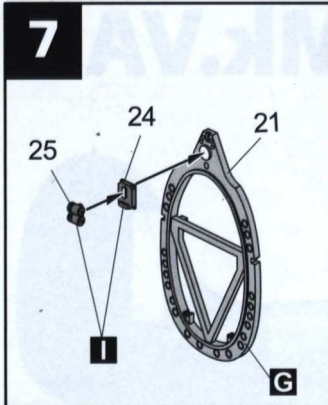
CA GLUE
COLLA CA
CA KLEBER
PEGAMENTO CA
KLEJ CA
COLLE CA
CA LEPIDLO



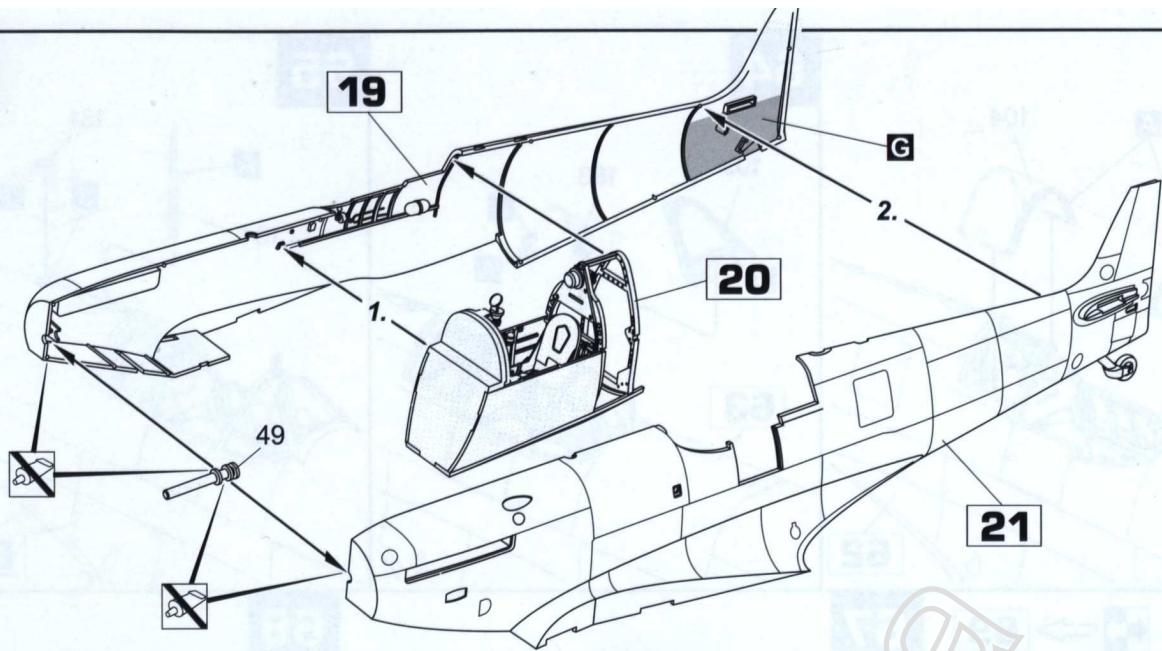
DRILL HOLE
TROU DE FORAGE
BOHRLOCH
TALADRO
WYWIERC OTWÓR
FORO
VYVRTAT DÍRU

| Color Chart | AK Interactive | Alclad2 | AMMO | Mr. A/A | Mr. COLOR | Revell | TAMIYA | |
|---------------------|----------------|---------|------|---------|-----------|--------|--------|-------|
| RAF Dark Green | A | RC286 | E013 | 915 | 016 | 361 | 68 | XF-81 |
| RAF Dark Earth | B | RC287 | E021 | 070 | 009 | 369 | 82 | XF-52 |
| RAF Sky | C | RC290 | E011 | 243 | 026 | 368 | 59 | XF-21 |
| RAF Ocean Grey | D | RC288 | E004 | 245 | 032 | 362 | 77 | XF-82 |
| RAF Medium Sea Gray | E | RC289 | E003 | 246 | 141 | 335 | 43 | XF-83 |
| RAF Night FS37030 | F | RC082 | E620 | 007 | 041 | | 09 | XF-69 |
| RAF Interior Green | G | RC293 | E309 | 220 | 211 | 027 | | XF-71 |
| Flat White | H | RC004 | 101 | 000 | 101 | 062 | 05 | XF-2 |
| Flat Black | I | RC001 | E102 | 000 | 100 | 033 | 08 | XF-1 |
| Silver | J | RC020 | 112 | 195 | 189 | 008 | 90 | X-11 |
| Burnt Metal | K | RC005 | 171 | 187 | 016 | 061 | | XF-84 |
| Leather | L | AK-3021 | 002 | 133 | 186 | 044 | 37 | XF-10 |
| Aluminium | M | RC020 | 119 | 194 | 078 | 090 | 99 | XF-16 |
| Flat Yellow | N | RC007 | E605 | 048 | 107 | 004 | 15 | XF-8 |
| Tyre Black | O | RC022 | E300 | 033 | | 137 | 06 | XF-69 |
| Flat Red | P | RC006 | E605 | 049 | 103 | 033 | 330 | X-7 |
| Clear Red | Q | RC 503 | 401 | 093 | CC02 | 047 | 31 | X-27 |
| Clear Green | R | RC505 | 404 | 092 | | 138 | | X-25 |

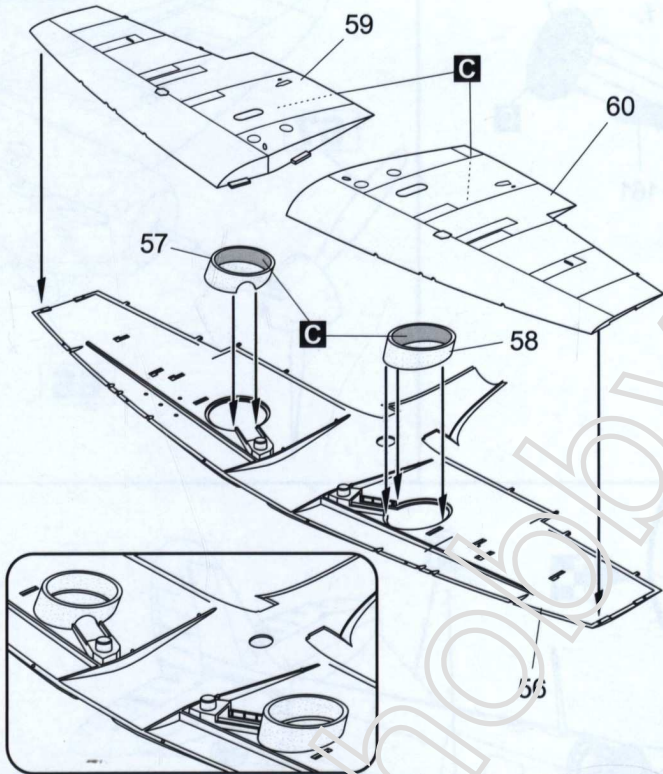




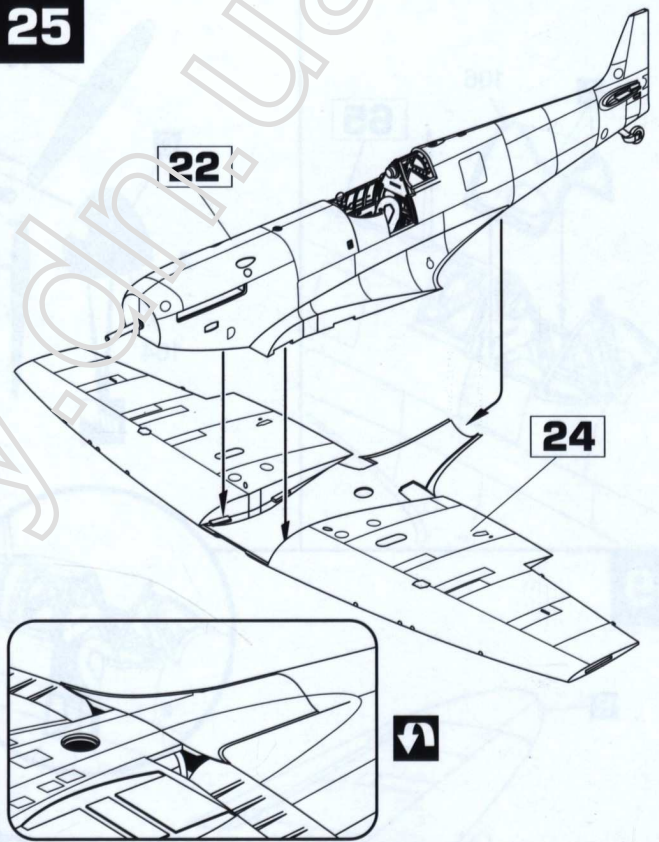
22



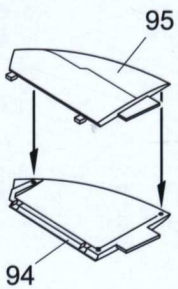
24



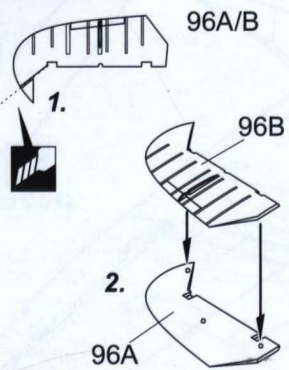
25



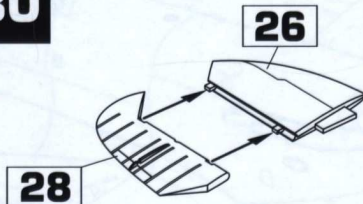
26



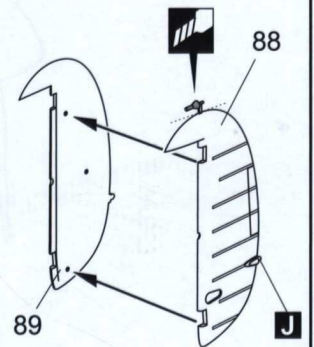
28



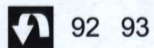
30



32



27



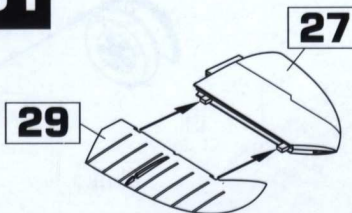
92 93

29

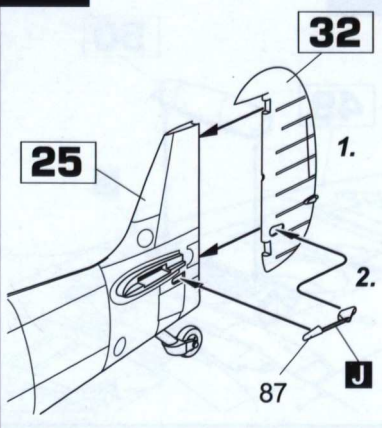


97A 97B

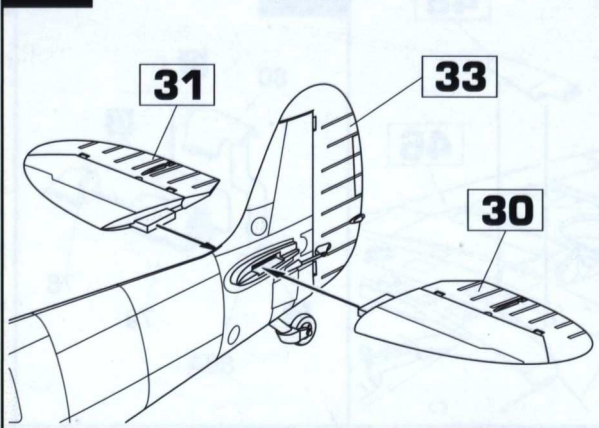
31



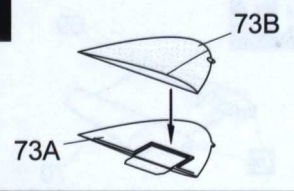
33



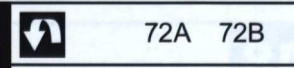
34



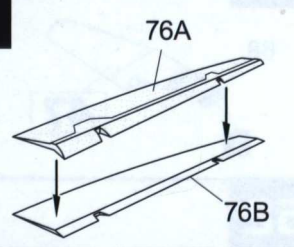
35



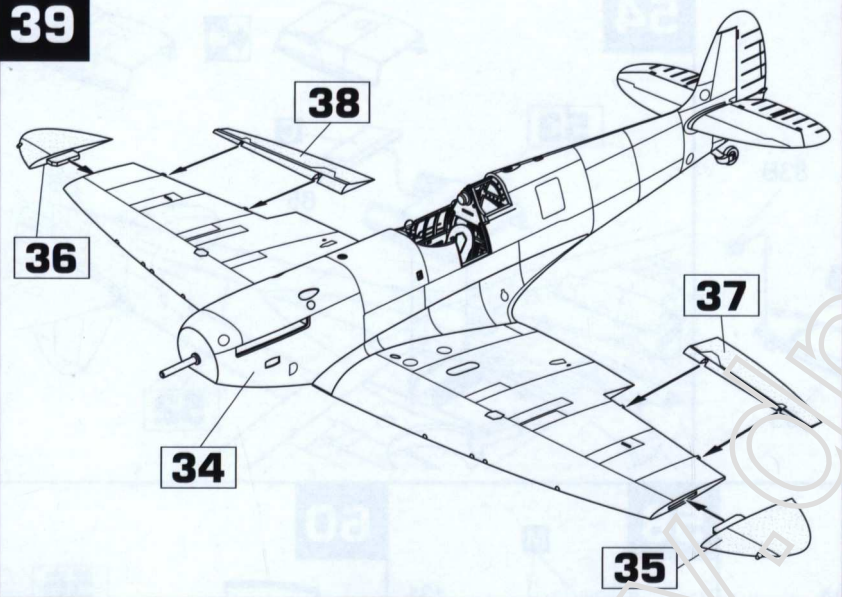
36



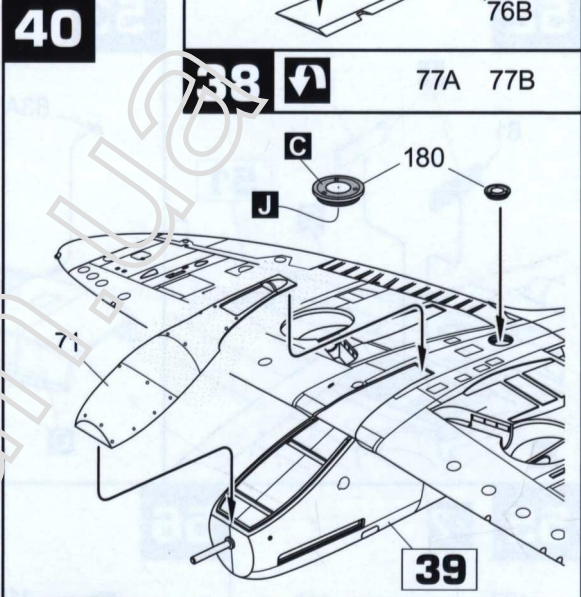
37



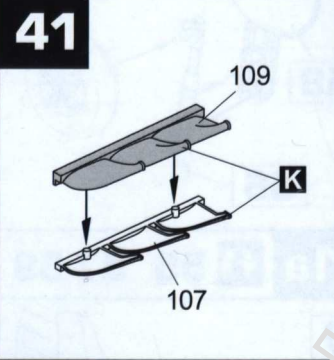
39



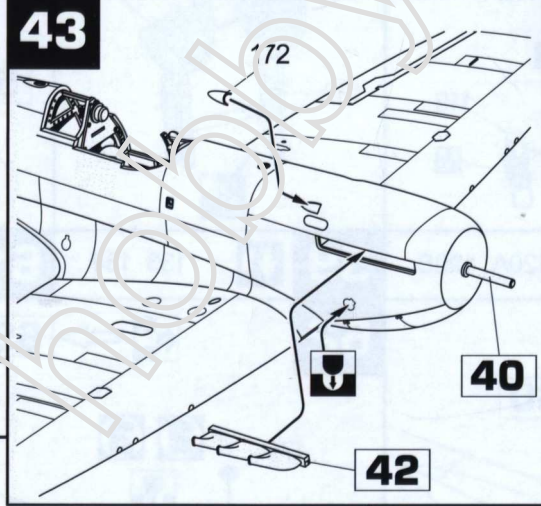
40



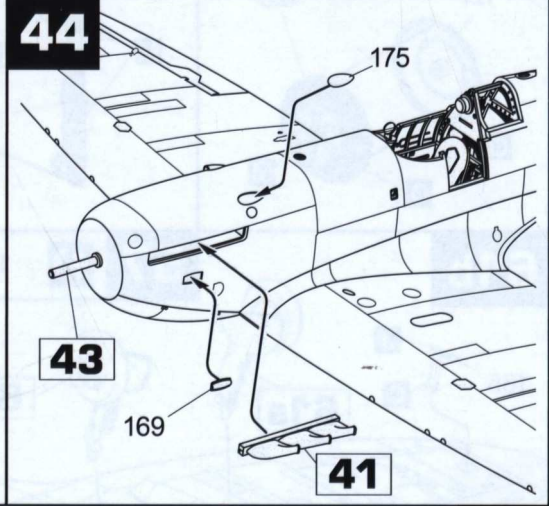
41



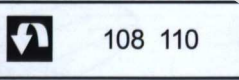
43



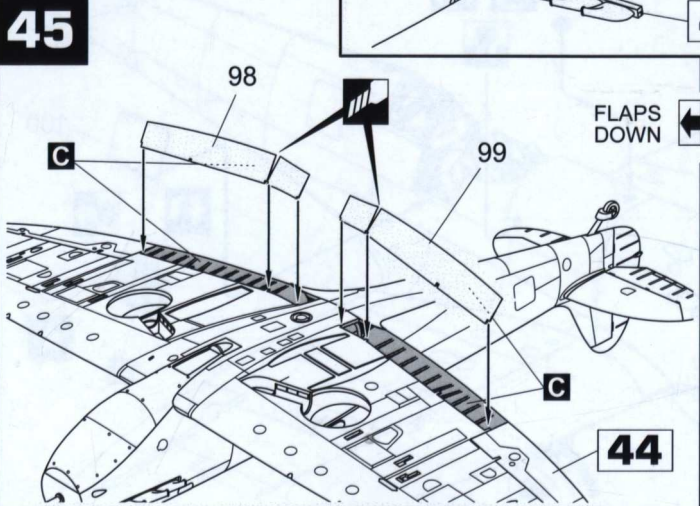
44



42

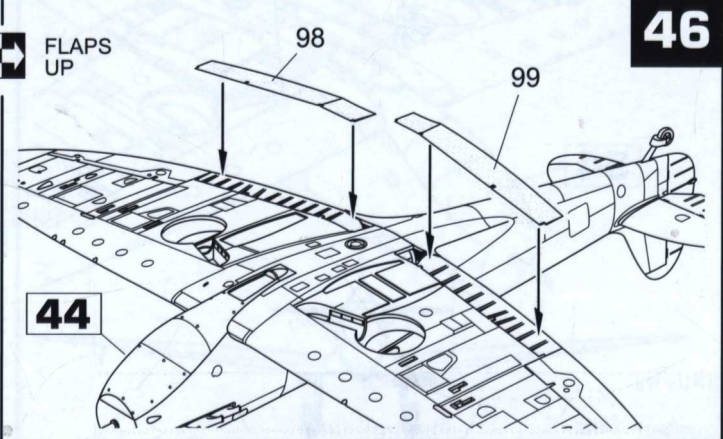


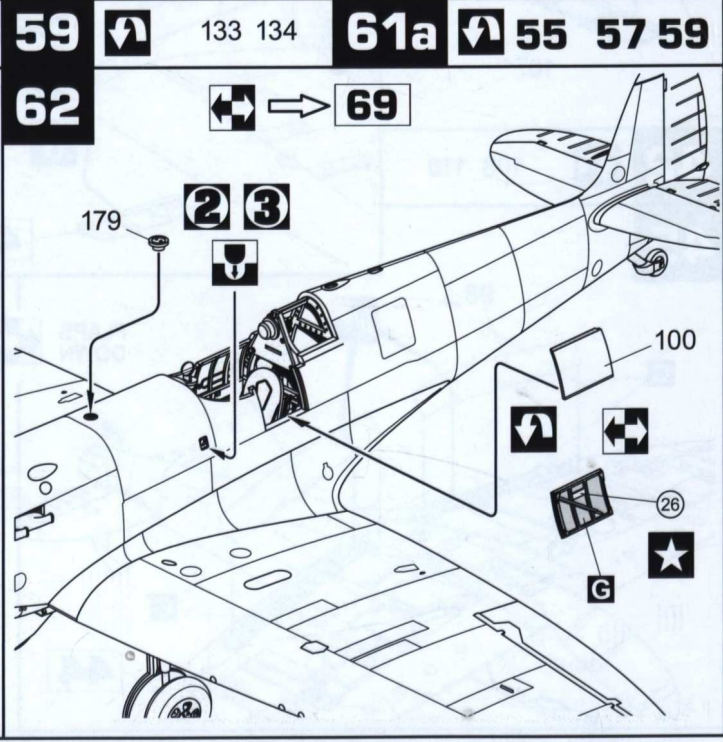
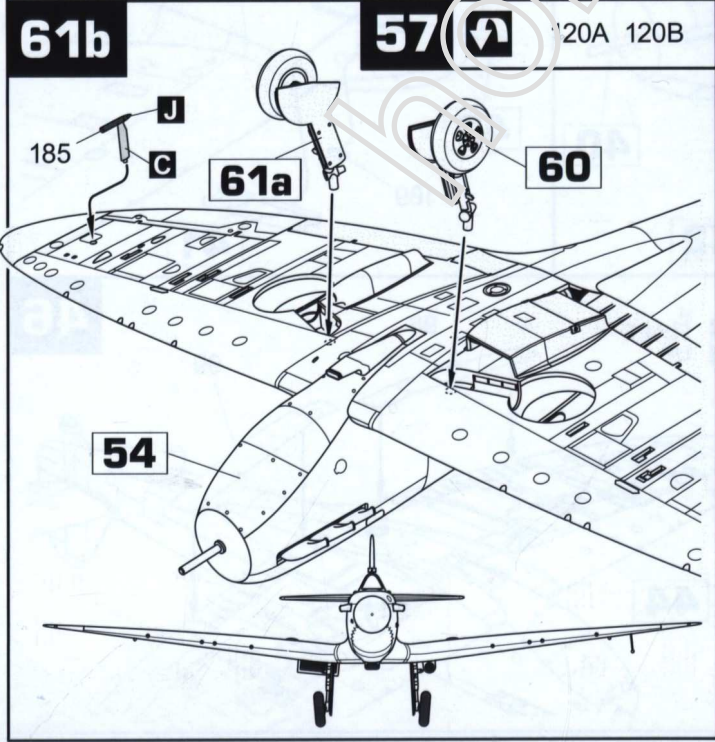
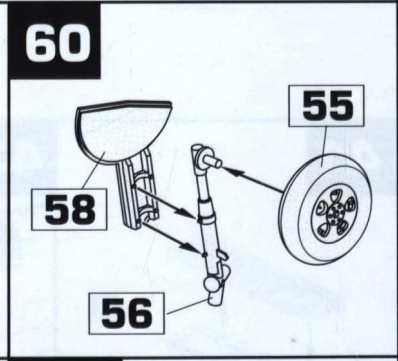
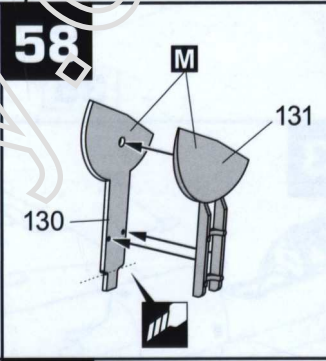
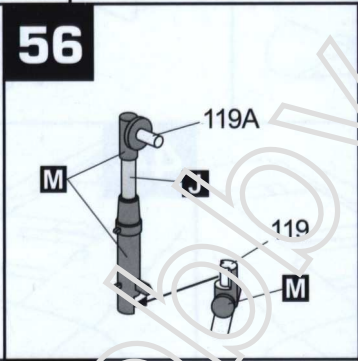
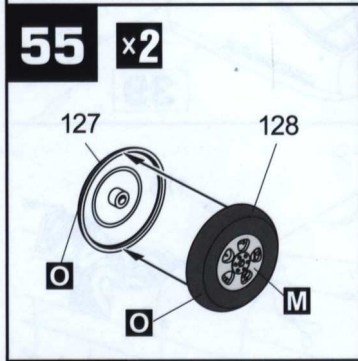
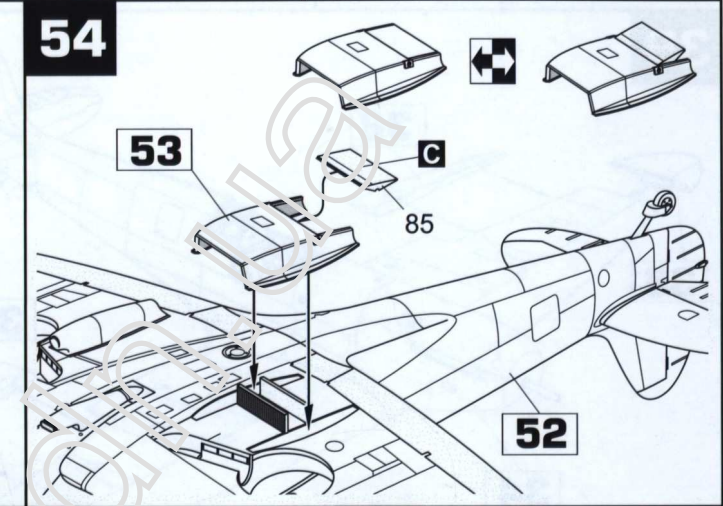
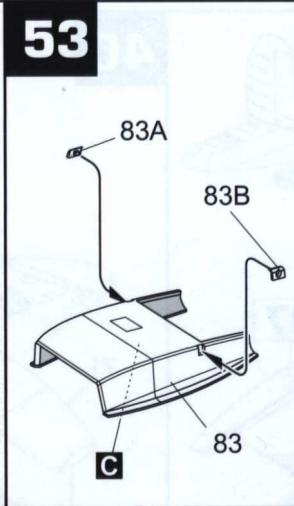
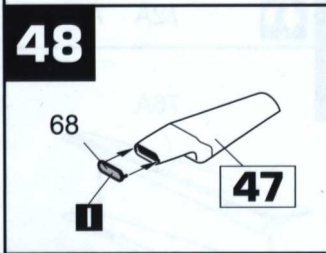
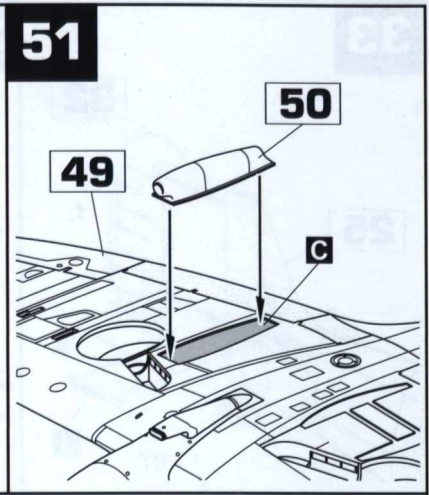
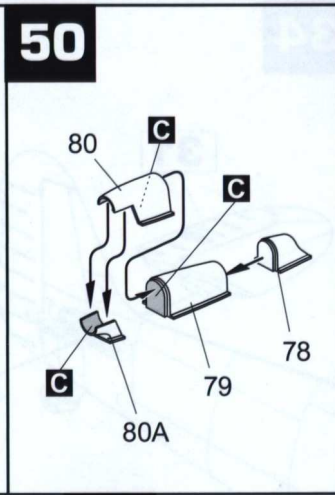
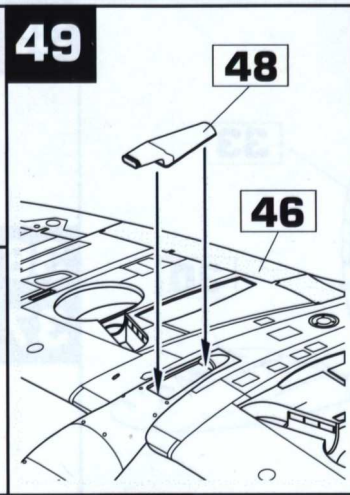
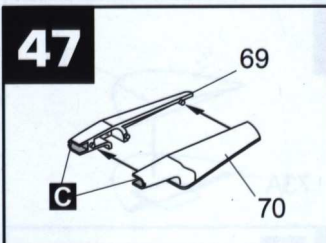
45



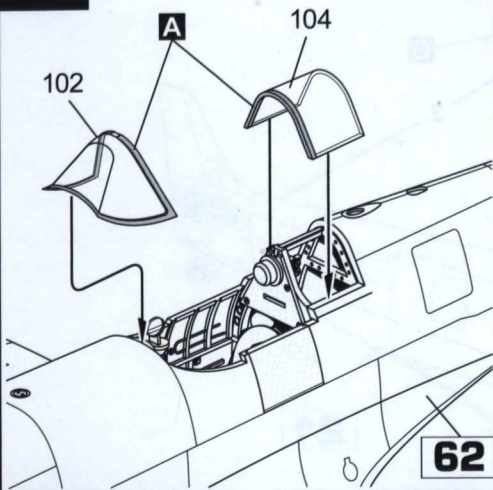
FLAPS DOWN  FLAPS UP

46

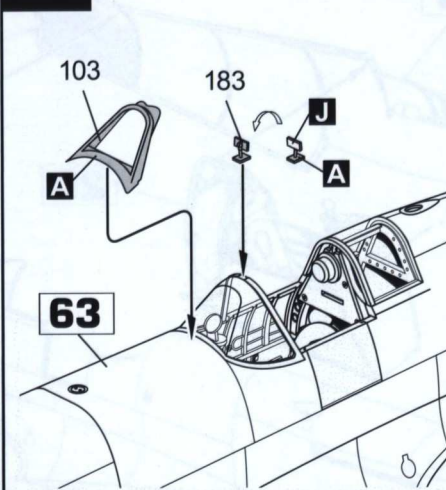




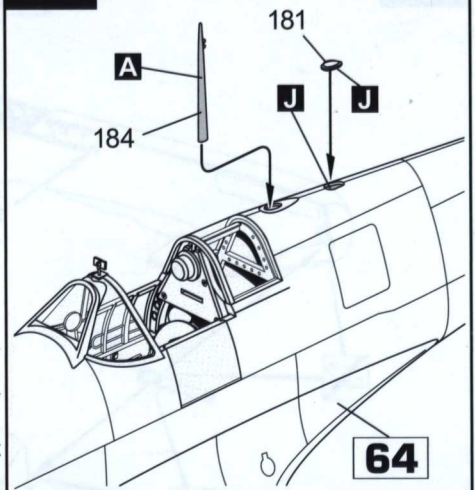
63



64



65

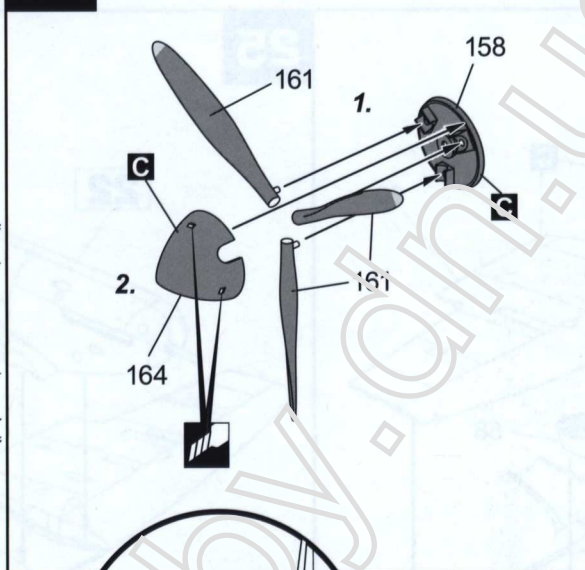
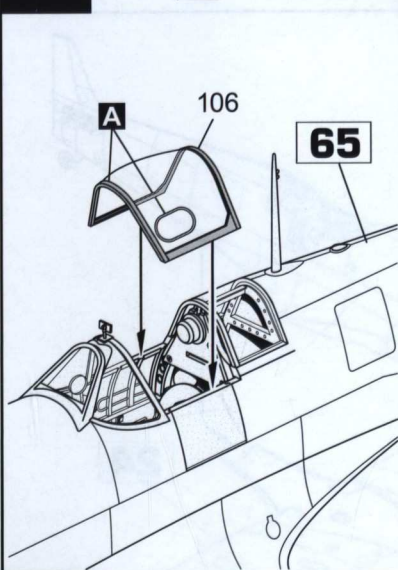


66

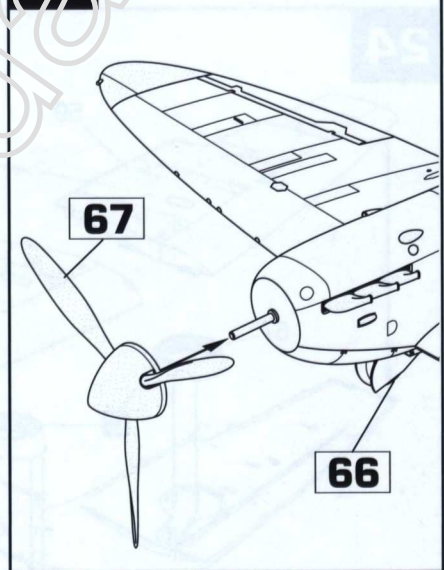


69

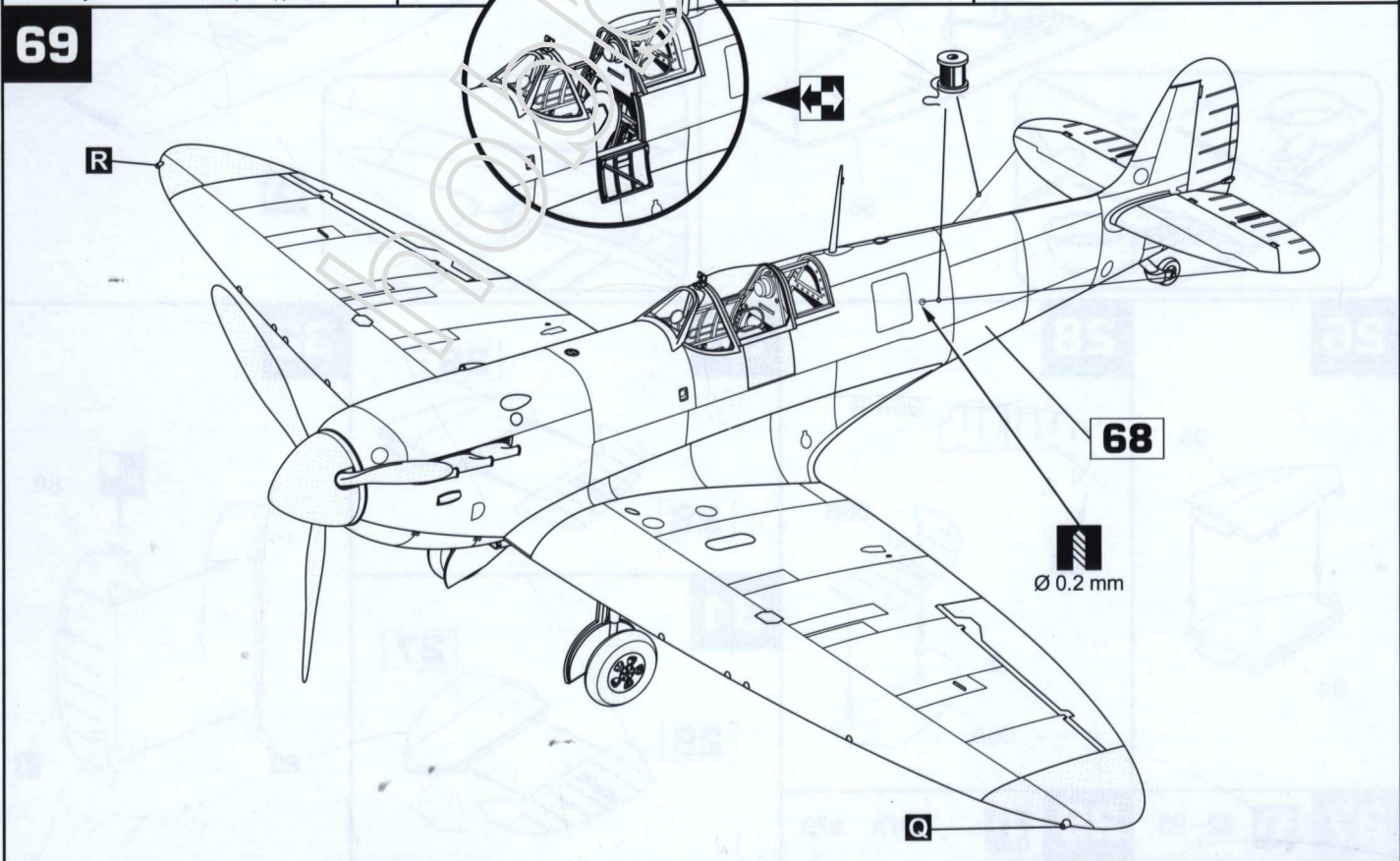
67



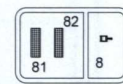
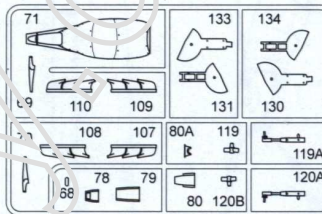
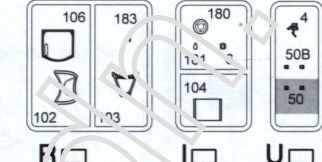
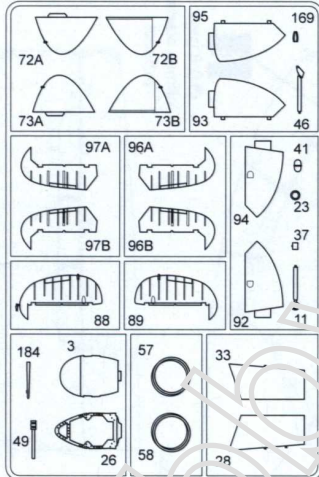
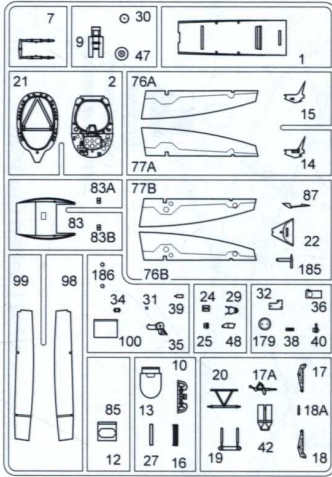
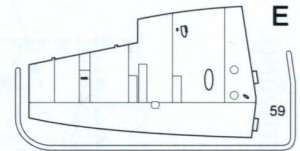
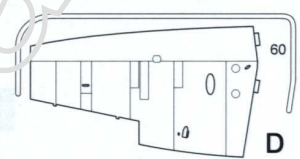
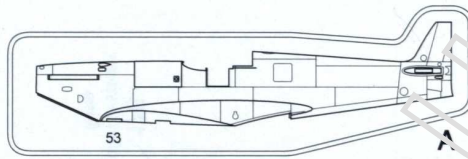
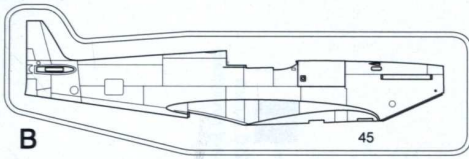
68



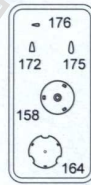
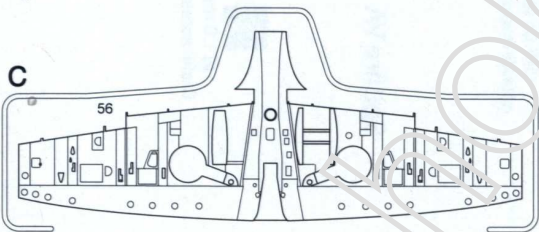
69



1:32 Supermarine Spitfire IA, IIA, VA parts list

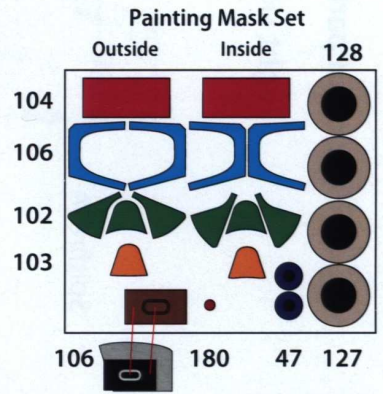
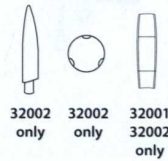


Hx2



Sx2

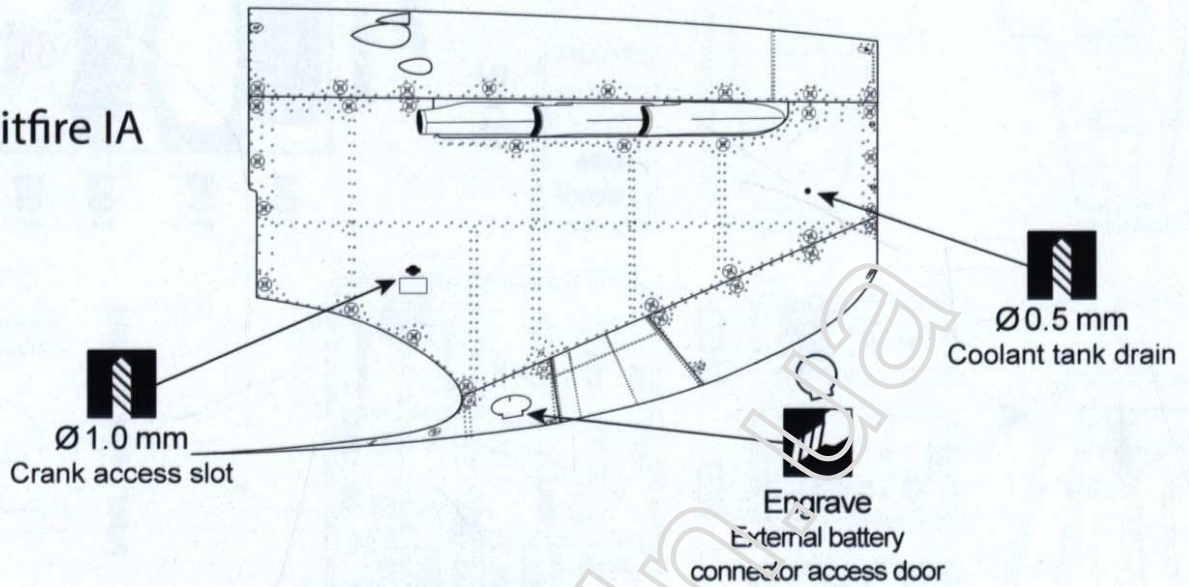
PUR1 PUR2 PUR3



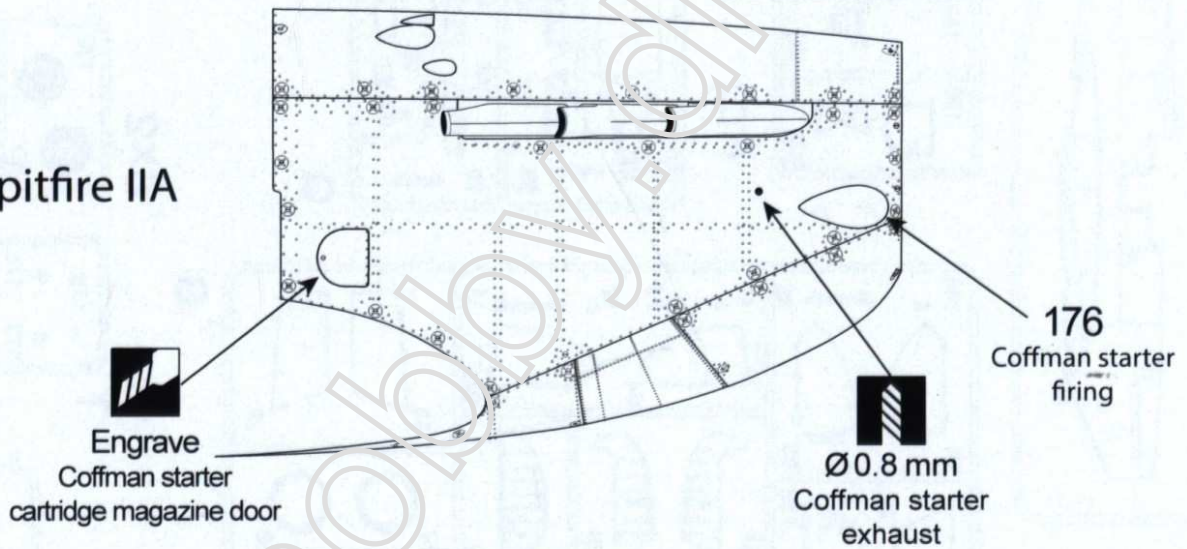
Position of part 176 and additional holes.

Right side, engine cowling.
1:32 scale

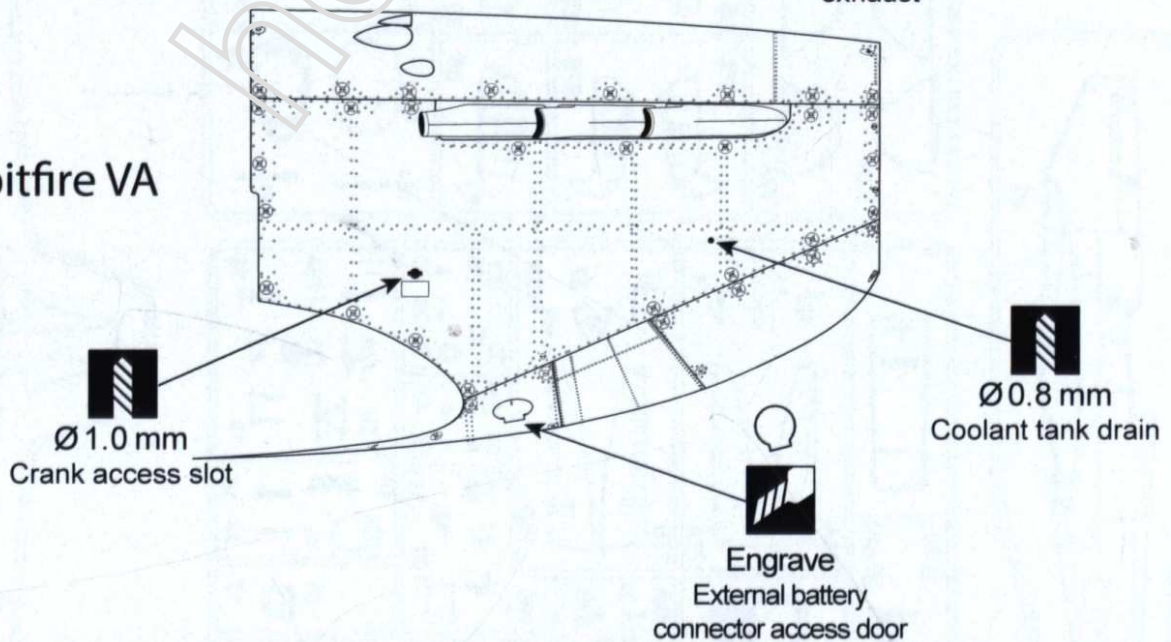
Spitfire IA



Spitfire IIA

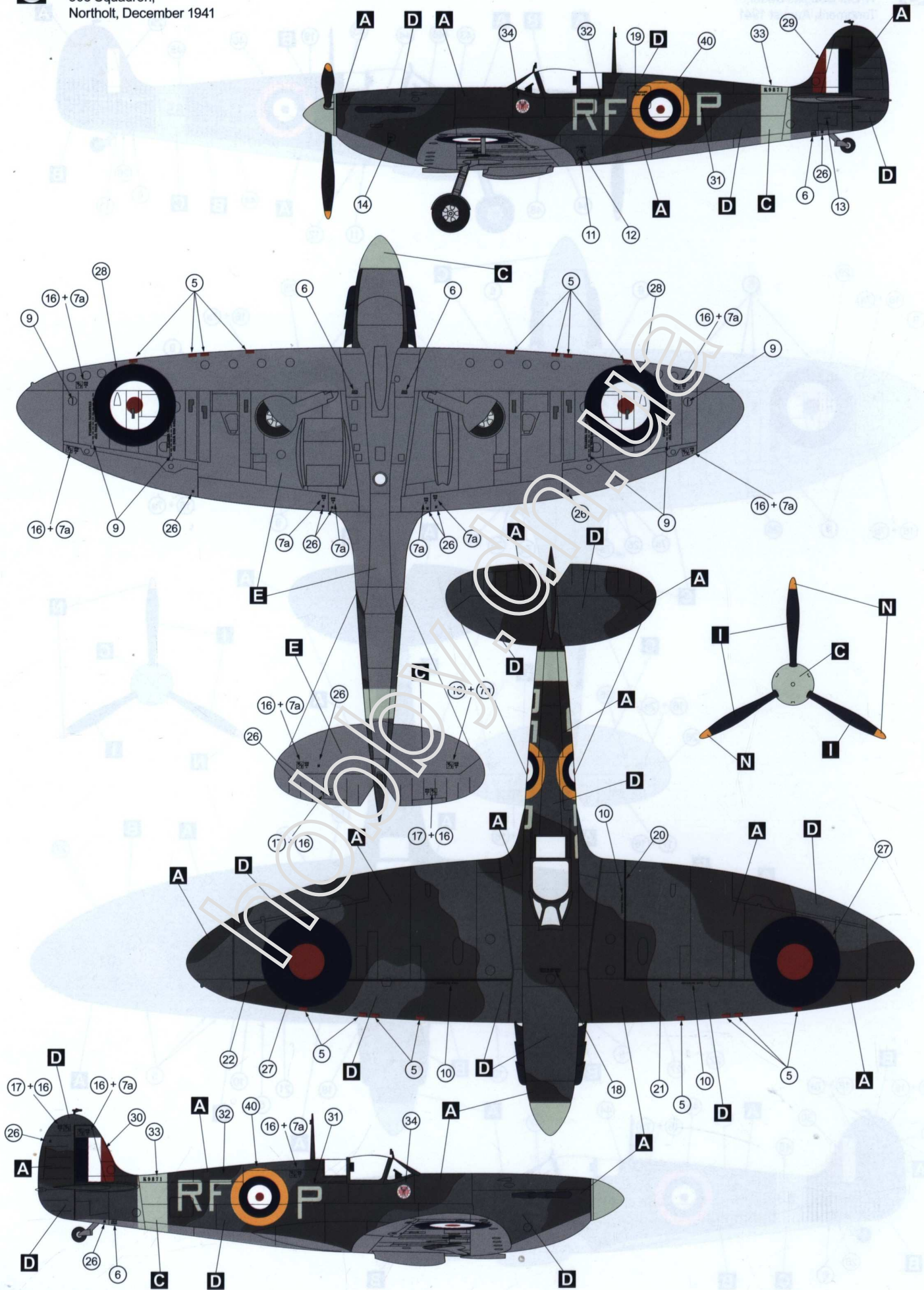


Spitfire VA



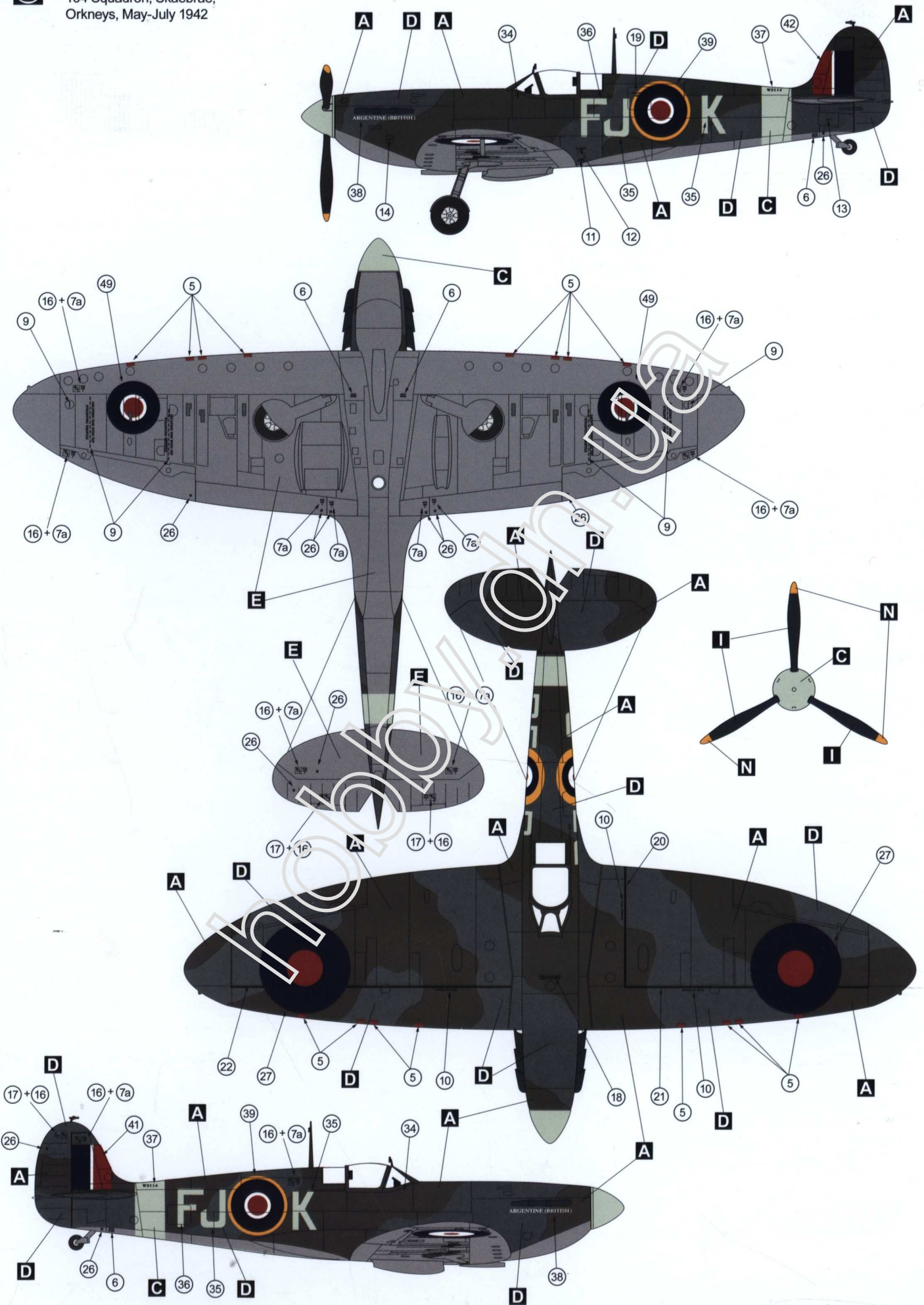
2

Spitfire VA K9871 RF-P,
303 Squadron,
Northolt, December 1941



3

Spitfire VA W3114 FJ-K,
164 Squadron, Skaeabrae,
Orkneys, May-July 1942





Spitfire VA W3185 D-B,
W/Cdr Douglas Bader,
Tangmere, August 1941

