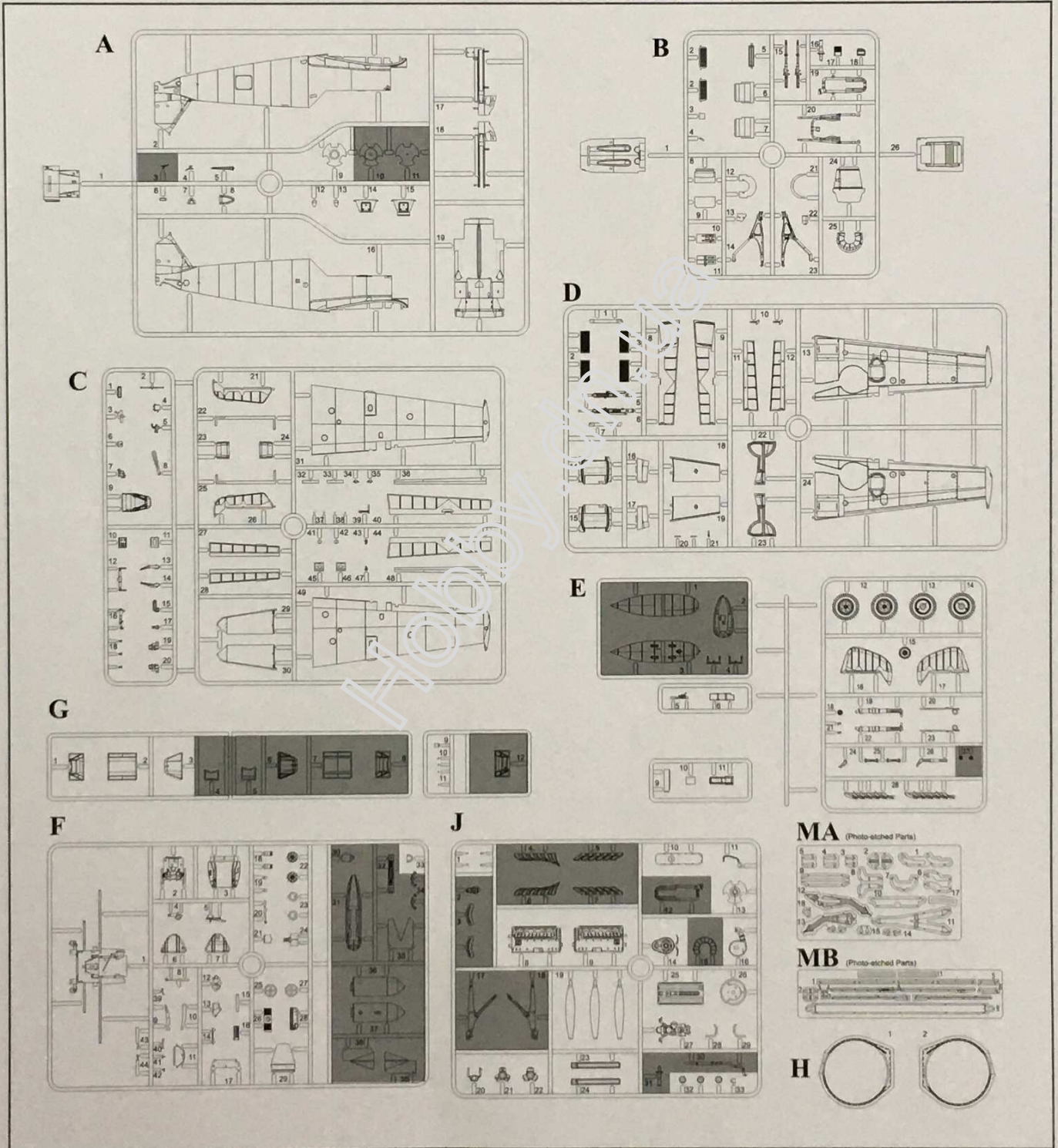




# Messerschmitt Bf 109 E-3

32004

## PARTS LIST



PARTS NOT FOR USE





# Messerschmitt Bf 109 E-3

32004



OPTION  
FACULTATIF  
NACH BELIEBEN  
HACER AQUEJERO  
DO WYBORU  
FACOLTATIVO  
VOLBA

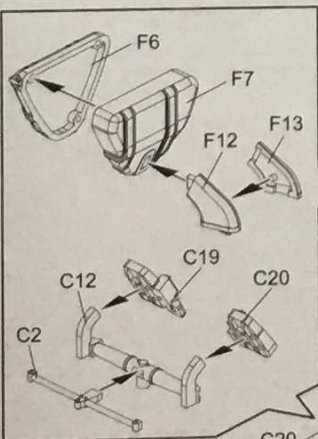
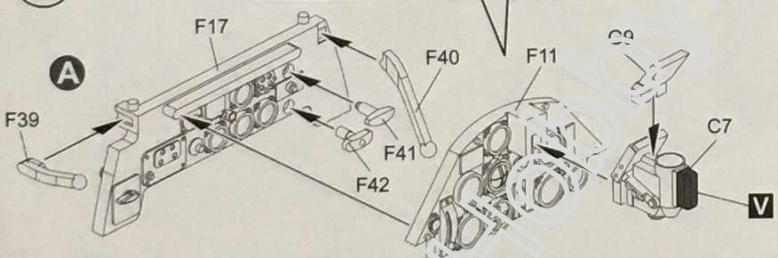
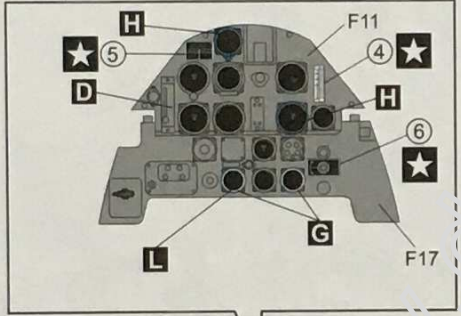


CA GLUE  
COLLA CA  
CA KLEBER  
PEGAMENTO CA  
KLEJ CA  
COLLE CA  
CA LEPIDLO

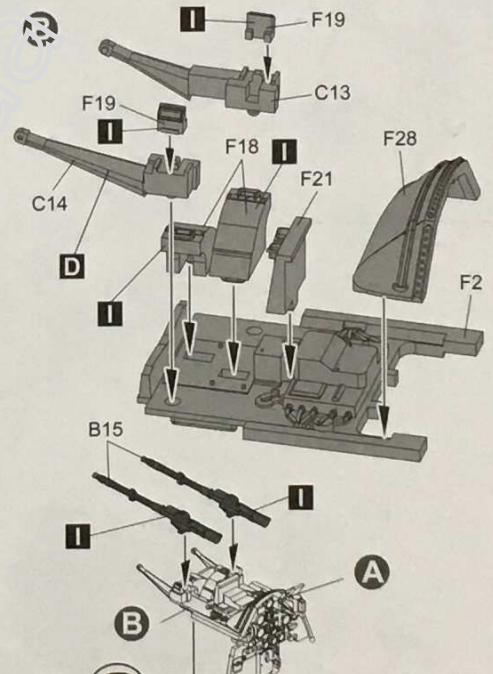
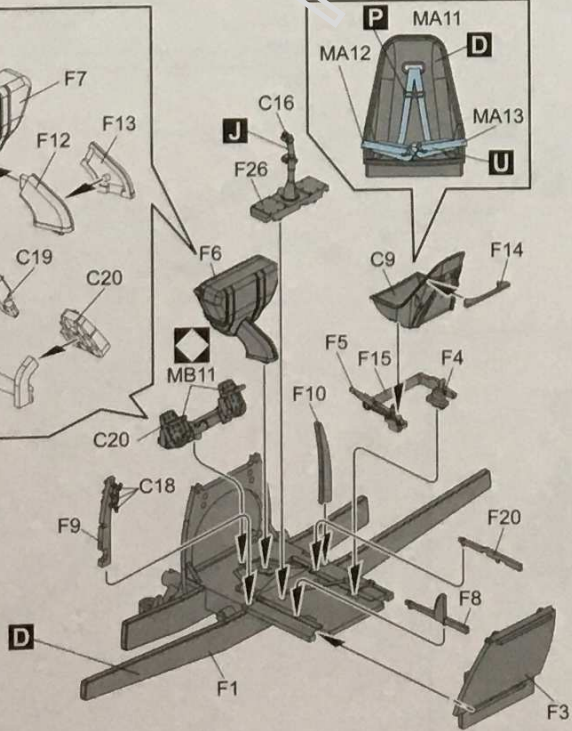


REMOVE  
RETRIER  
ENTFERNEN  
CORTAR  
WYCIĄC  
SEPARARE  
ODSTRANIT

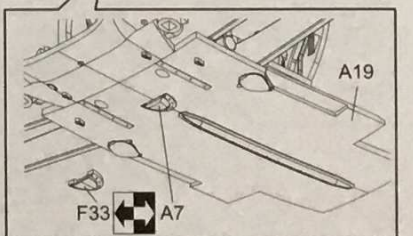
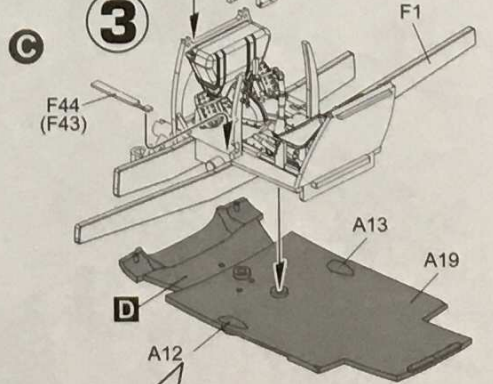
1



2

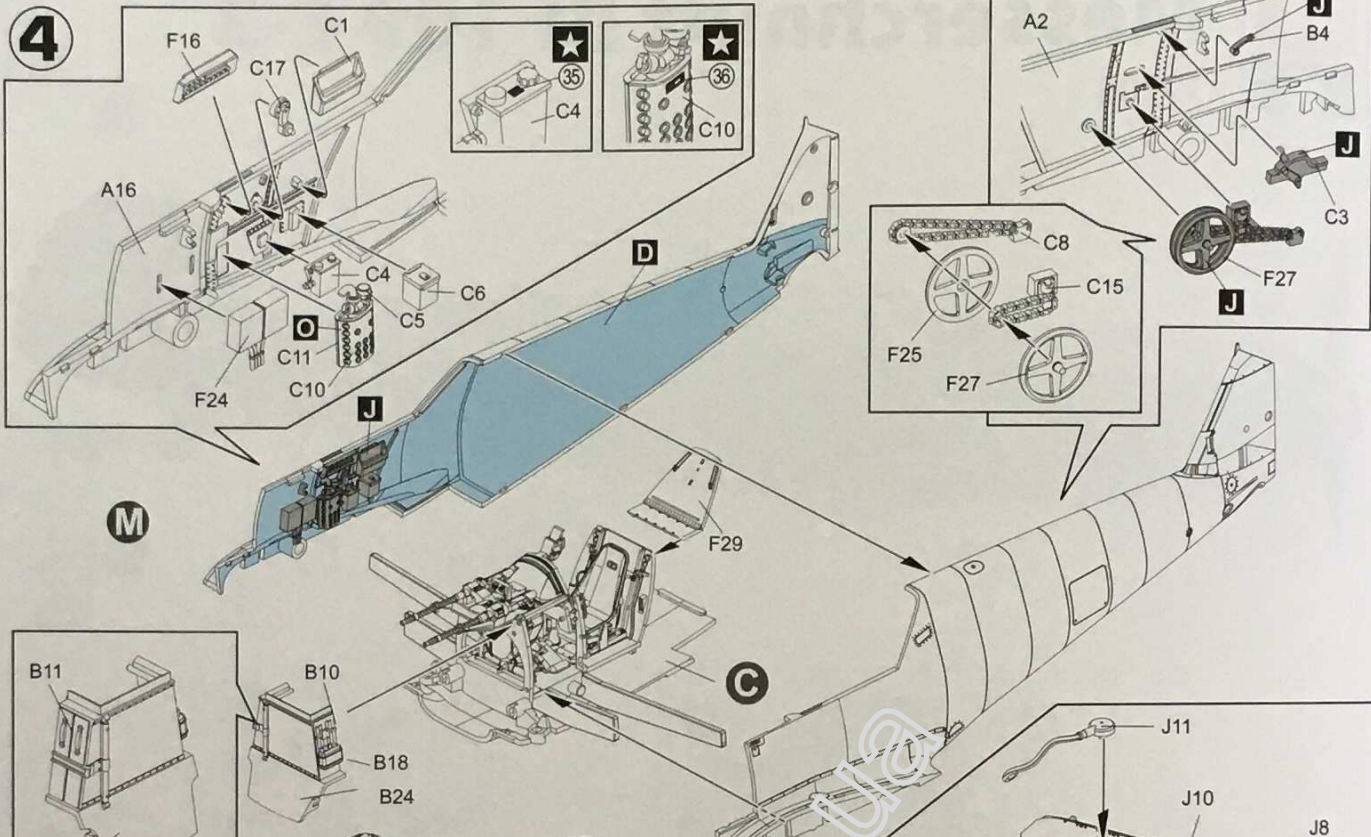


3

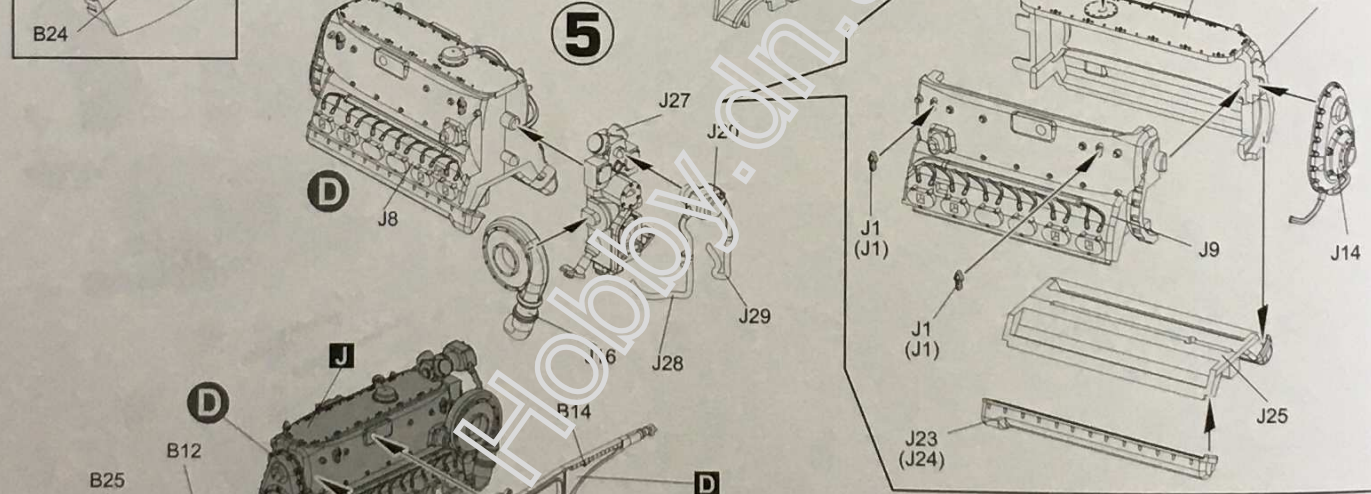




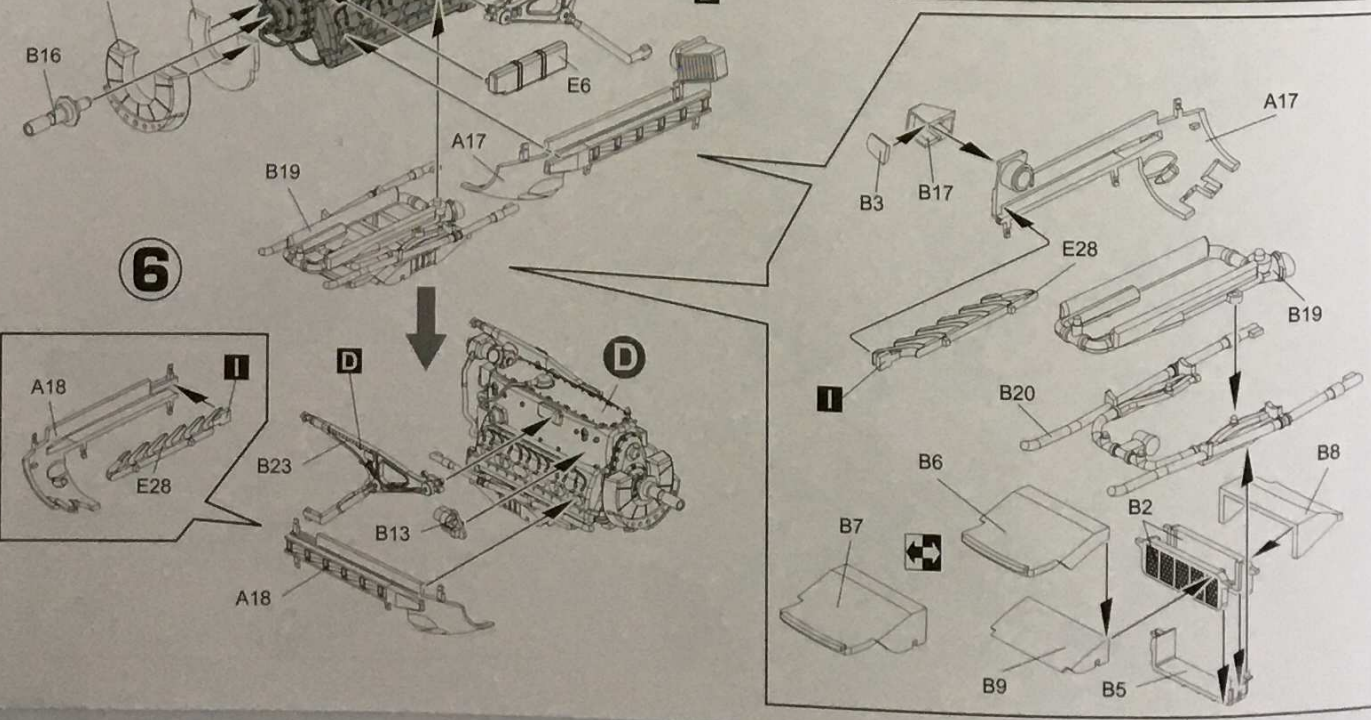
4



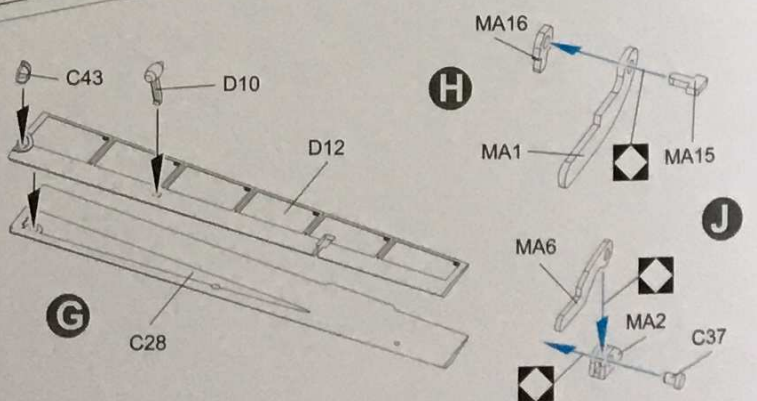
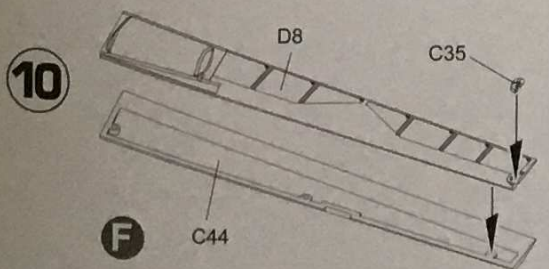
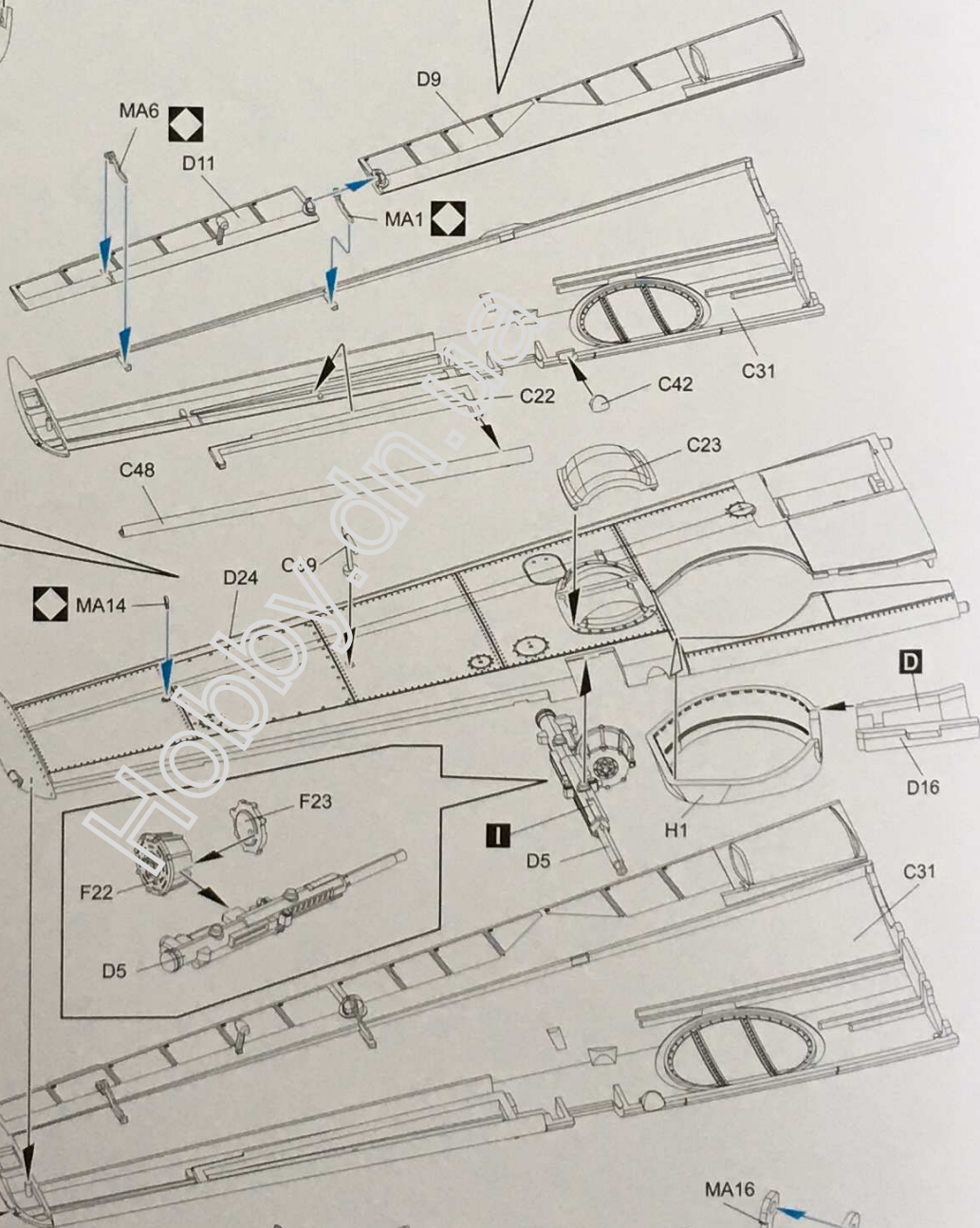
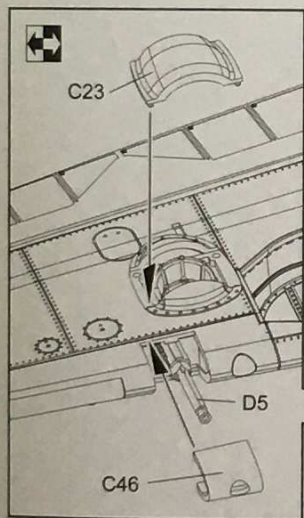
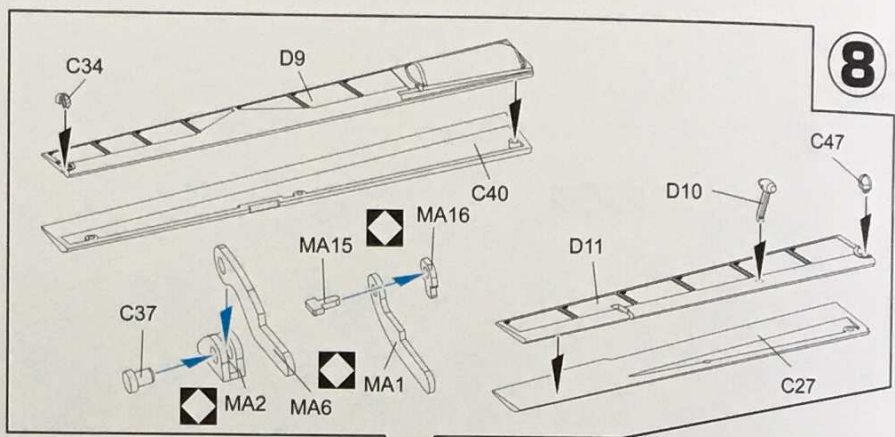
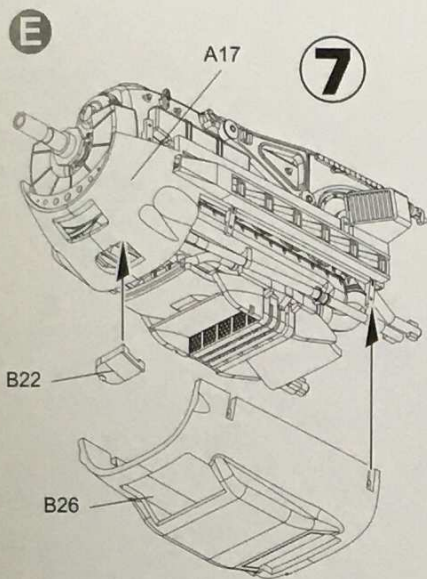
5



6

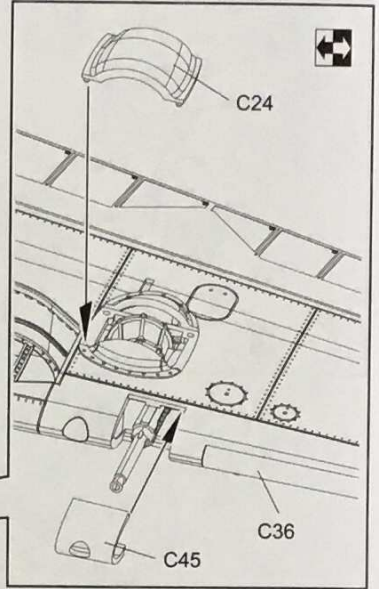
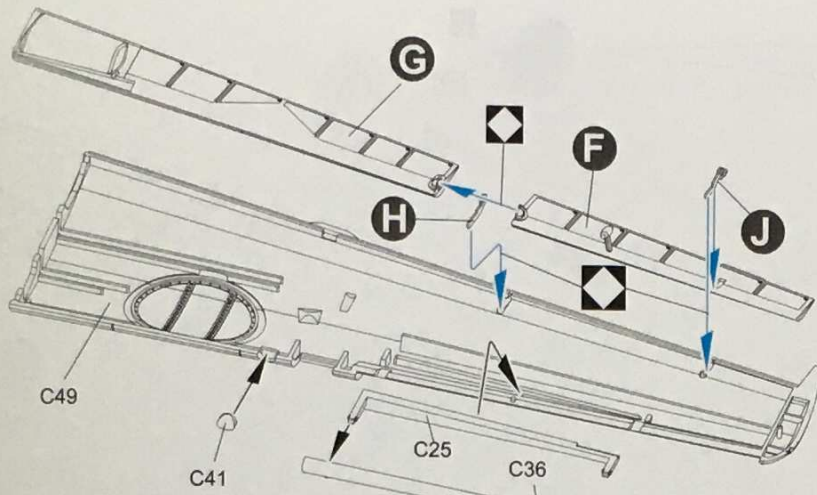






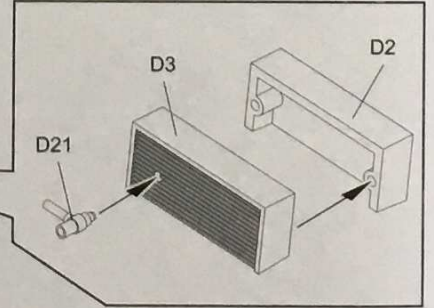
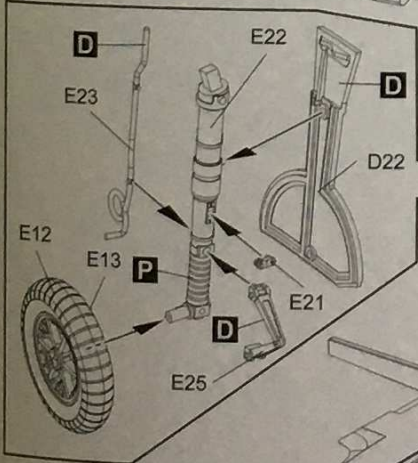
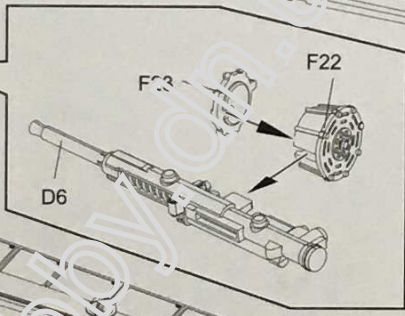
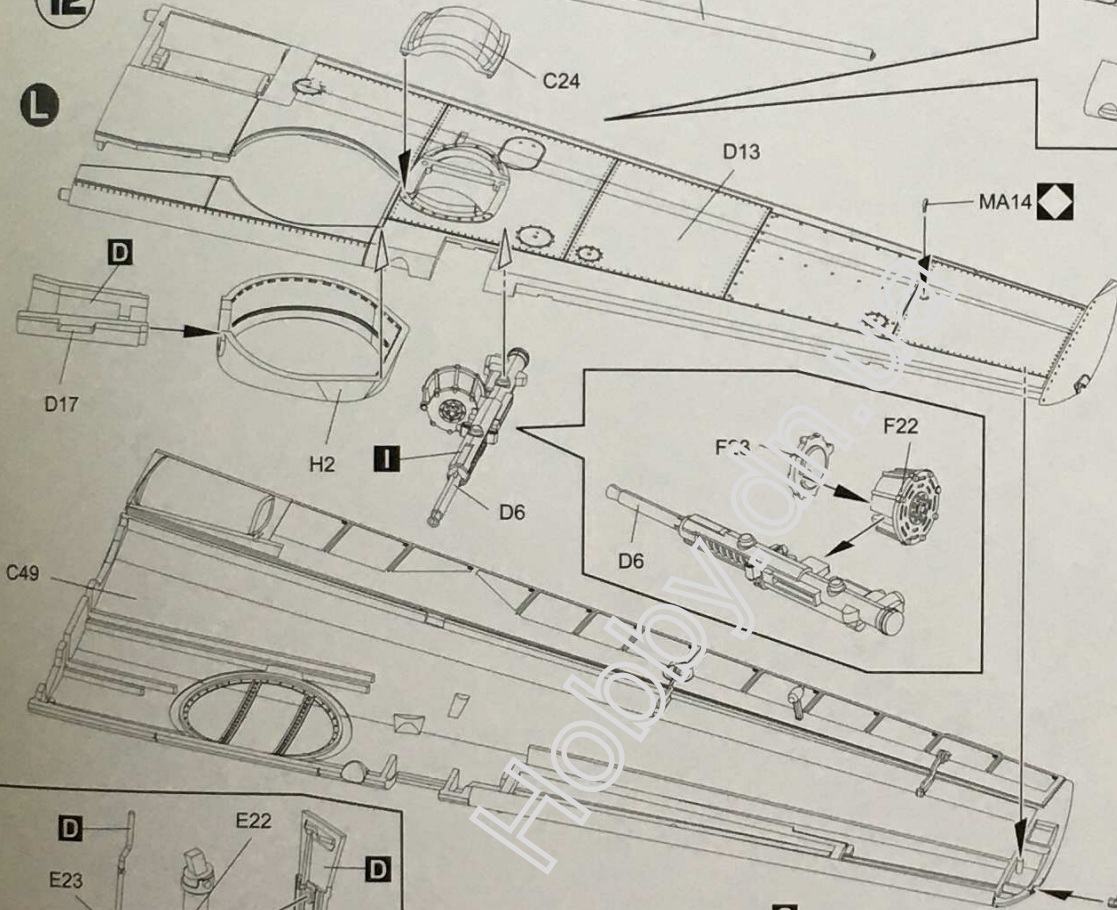


11



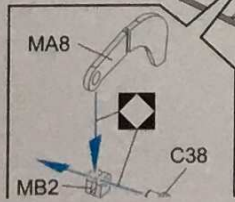
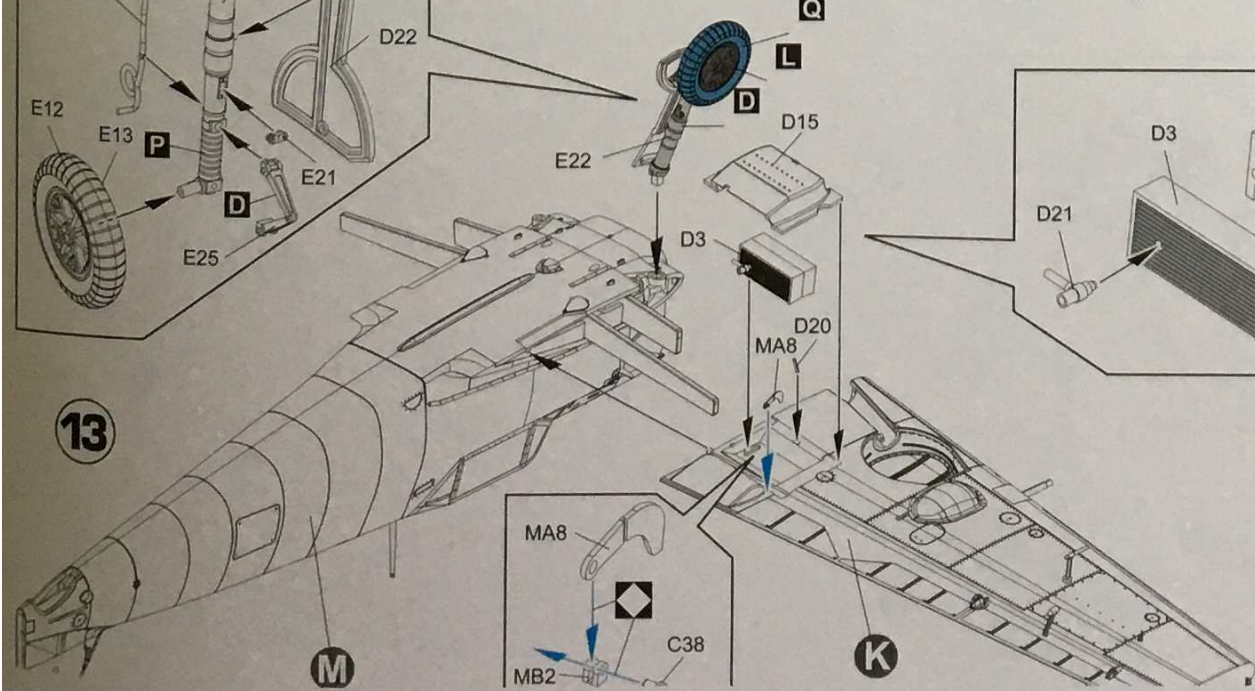
12

L



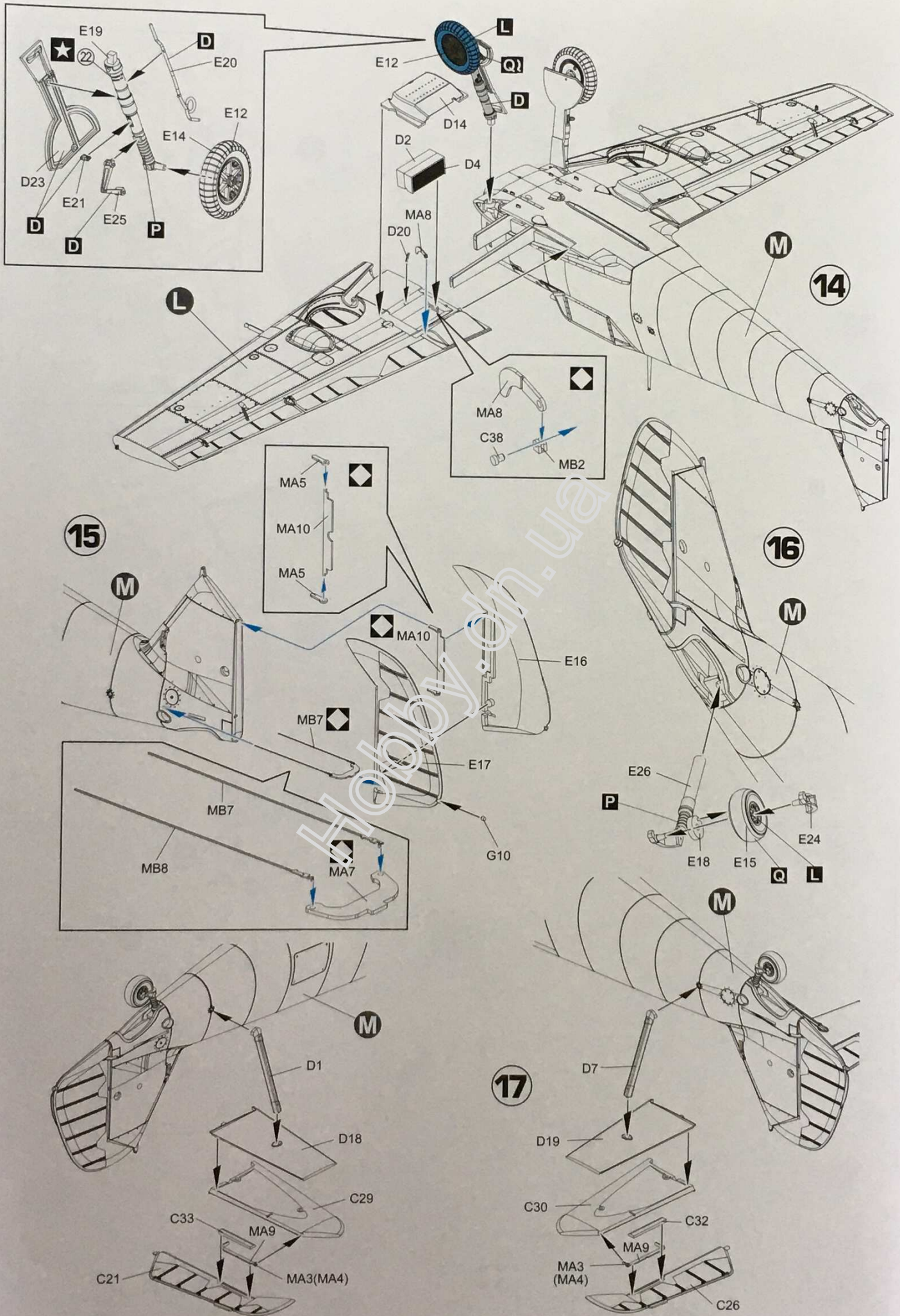
13

M



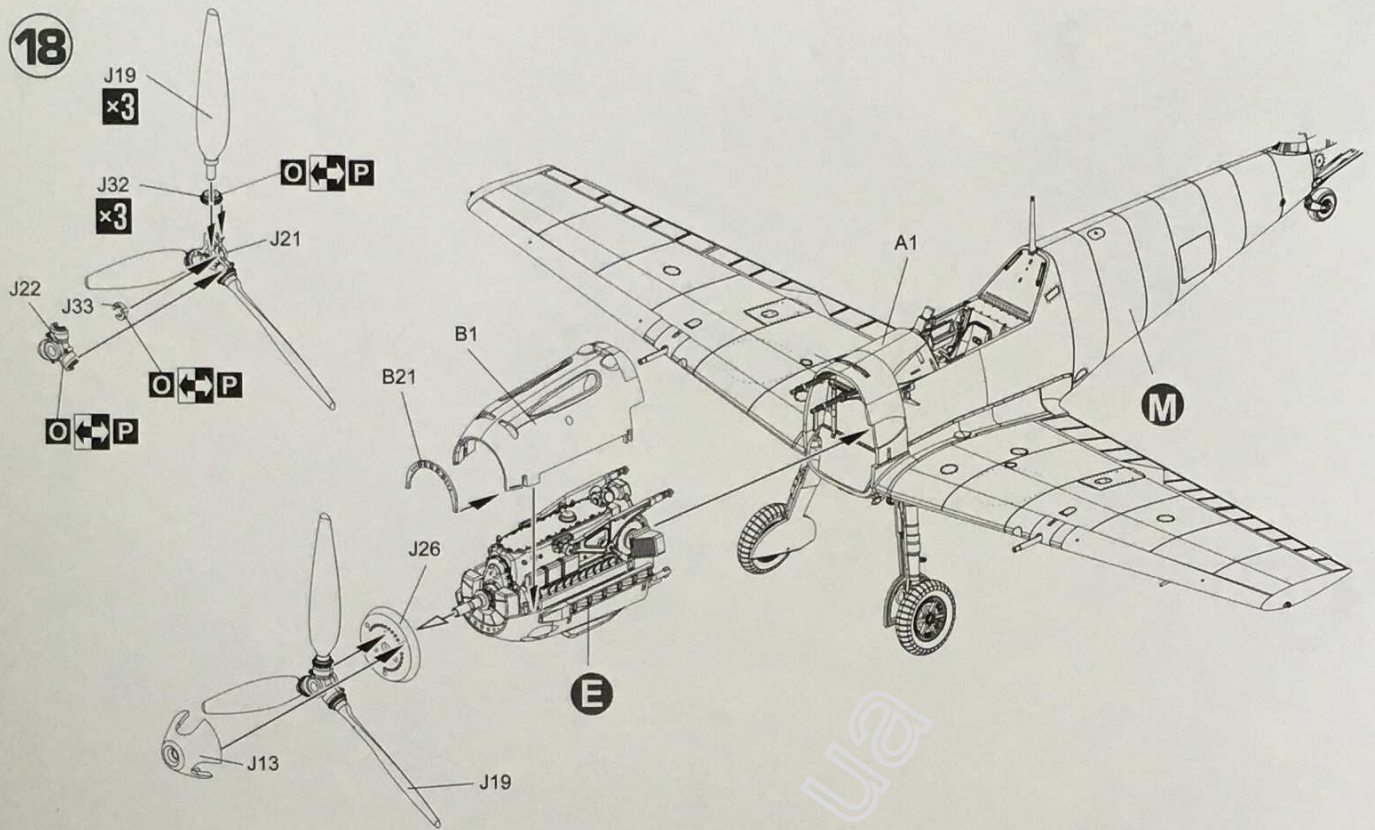
Hobby



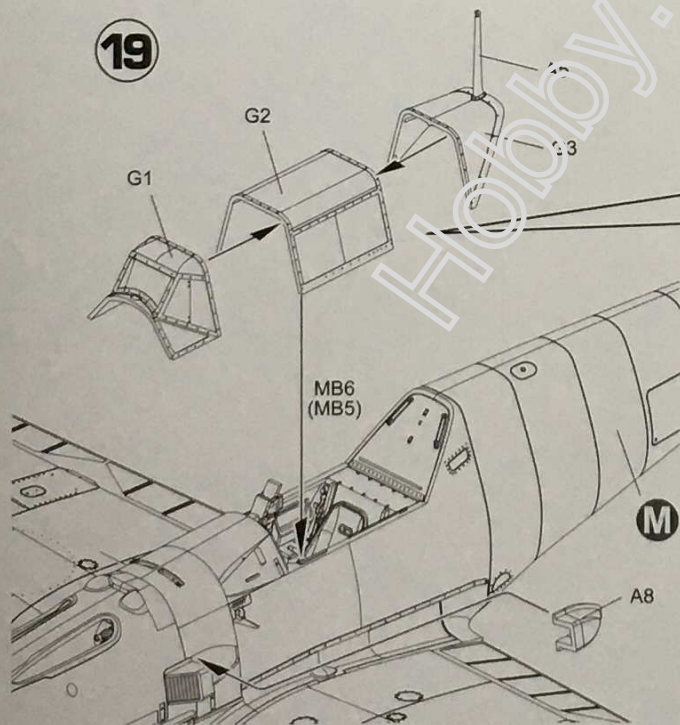




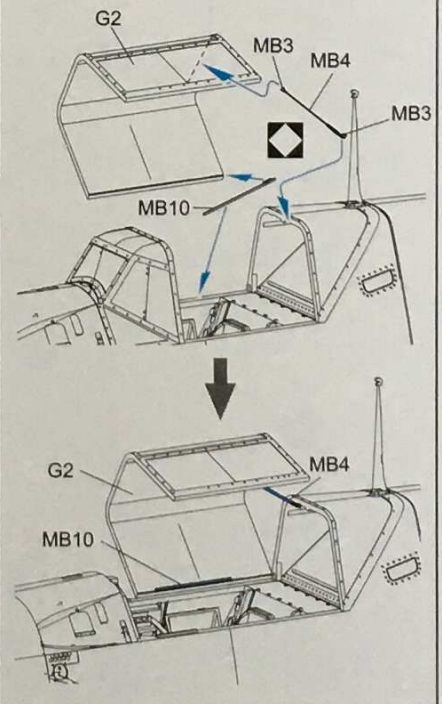
18



19



OPEN

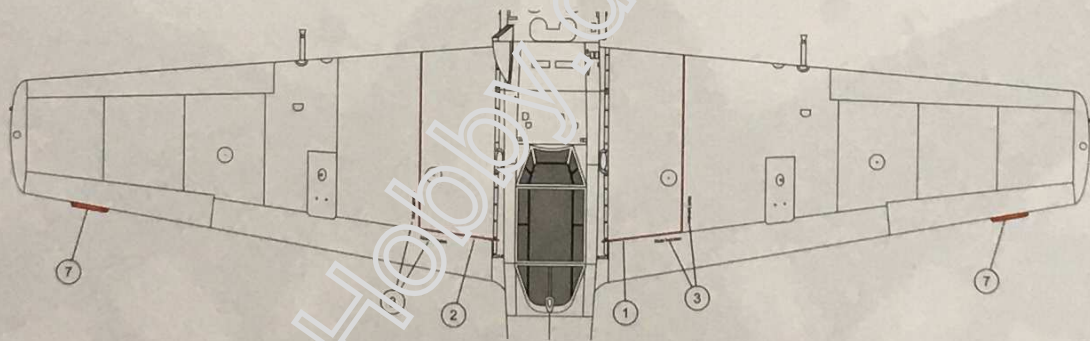
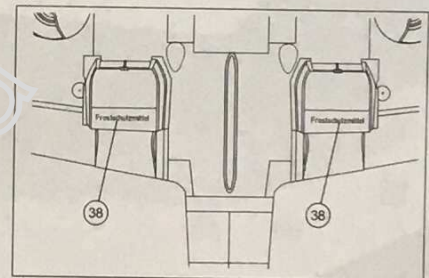
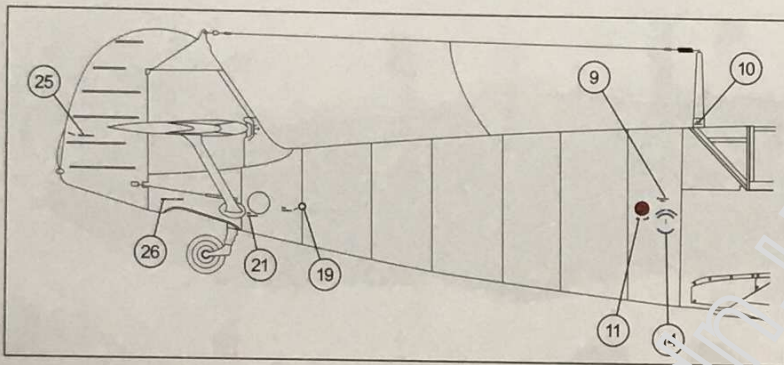
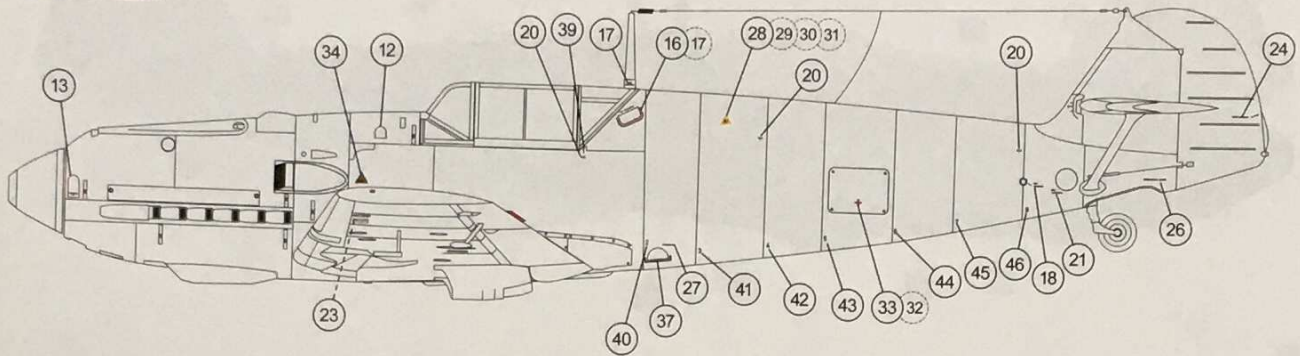






# Messerschmitt Bf 109 E-3

32004

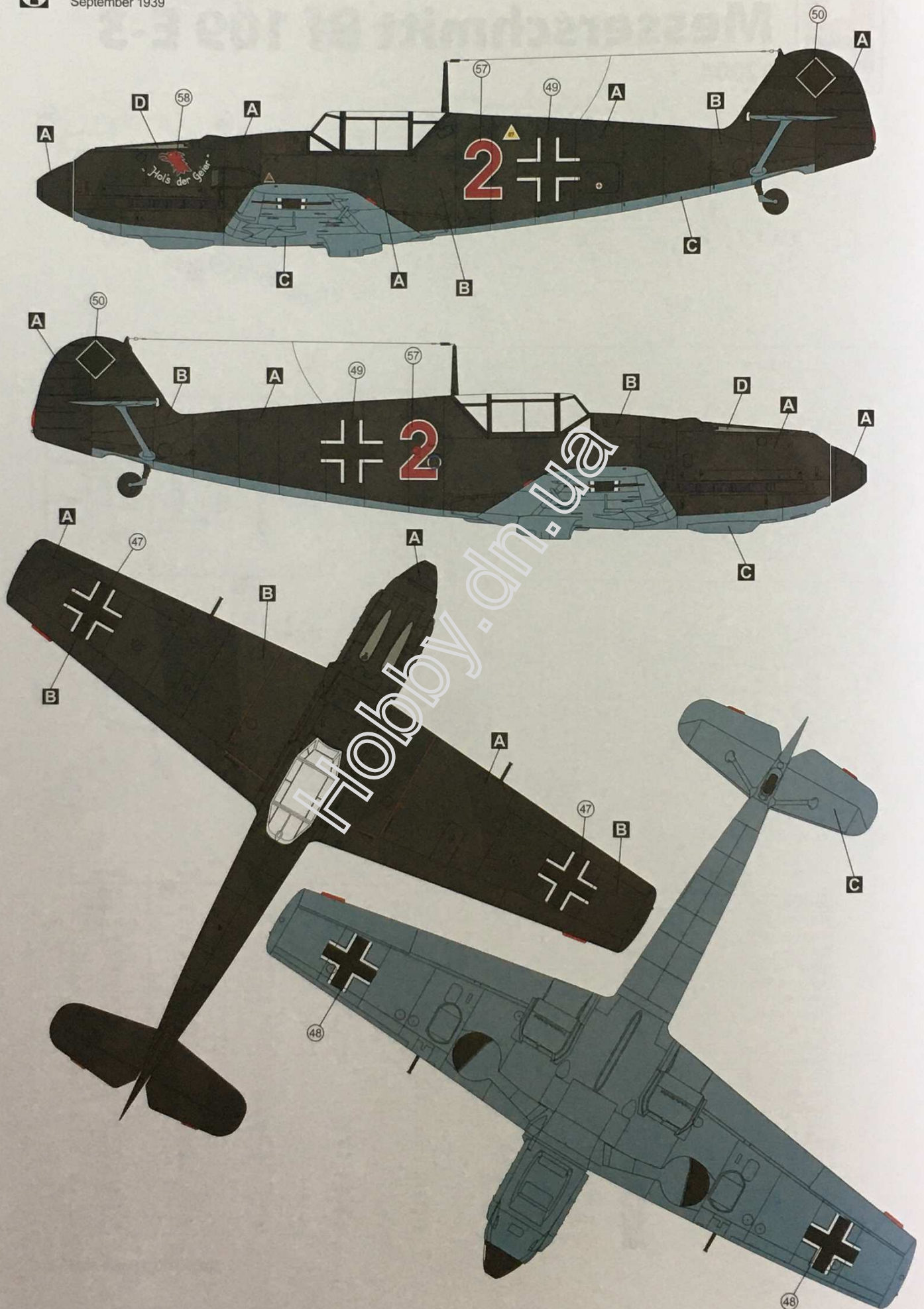


| Color Chart        |   | AK Interactive | Alclad2 | AMMO | HATAKA | Mr. COLOR | Revell | TAMIYA      |
|--------------------|---|----------------|---------|------|--------|-----------|--------|-------------|
| RLM 70 Black Green | A | RC274          | E216    | 232  | 015    | C18       | 140    | XF-27       |
| RLM 71 Dark Green  | B | RC275          | E647    | 233  | 017    | C17       | 139    | XF-62+XF-49 |
| RLM 65 Light Blue  | C | RC271          | E214    | 231  | 029    | C115      | 149    | XF-23 +XF-2 |
| RLM 02 Gray        | D | RC265          | E202    | 217  | 023    | C60       | 145    | XF-22       |
| RLM 66 Black Gray  | E | RC339          | E215    | 218  | 040    | C116      | 109    | XF-24       |
| RLM 04 Flat Yellow | F | RC267          | E649    | 048  | 066    | C113      | 113    | XF-3        |
| Flat Green         | G | RC012          |         | 054  | 221    | C135      | 364    | XF-5        |
| RLM 23 Flat Red    | H | RC005          | E651    | 049  | 132    | C79       | 330    | XF-7        |
| Burnt Metal        | I | AK-484         | 121     | 187  | 016    | C61       |        | XF-84       |
| Flat Black         | J | RC001          | E102    | 046  | 100    | C33       | 108    | XF-1        |
| Flat White         | K | RC004          | 101     | 050  | 101    | C62       | 105    | XF-2        |
| Gloss Black        | L | AK-471         | 305     |      |        | C02       | 107    | X-1         |
| Clear Red          | M | RC503          | 401     | 093  |        | C47       | 731    | X-27        |
| Clear Blue         | N | RC504          | 403     | 098  |        | C50       | 752    | X-23        |
| Steel              | O | AK-476         | 112     | 191  |        | C28       | 191    |             |
| Silver             | P | RC020          | 112     | 195  | 003    | C08       | 190    | X-11        |
| Tyre Black         | Q | RC022          | E310    | 033  | 040    | C137      | 106    | XF-85       |
| RLM 78 Light Blue  | R | RC280          | E231    | 247  | 314    | C118      | 149    | XF-23       |
| RLM 79 Sand Yellow | S | RC282          | E304    | 222  | 014    | C119      | 116    | XF-59       |
| RLM 80 Olive Green | T | RC284          |         | 248  | 053    | C120      | 363    | XF-26       |
| Buff               | U | RC013          |         | 122  | 184    | 45        | 189    | XF-57       |
| Leather Brown      | V | AK-11110       | E302    | 133  | 186    | C44       | 184    | XF-10       |





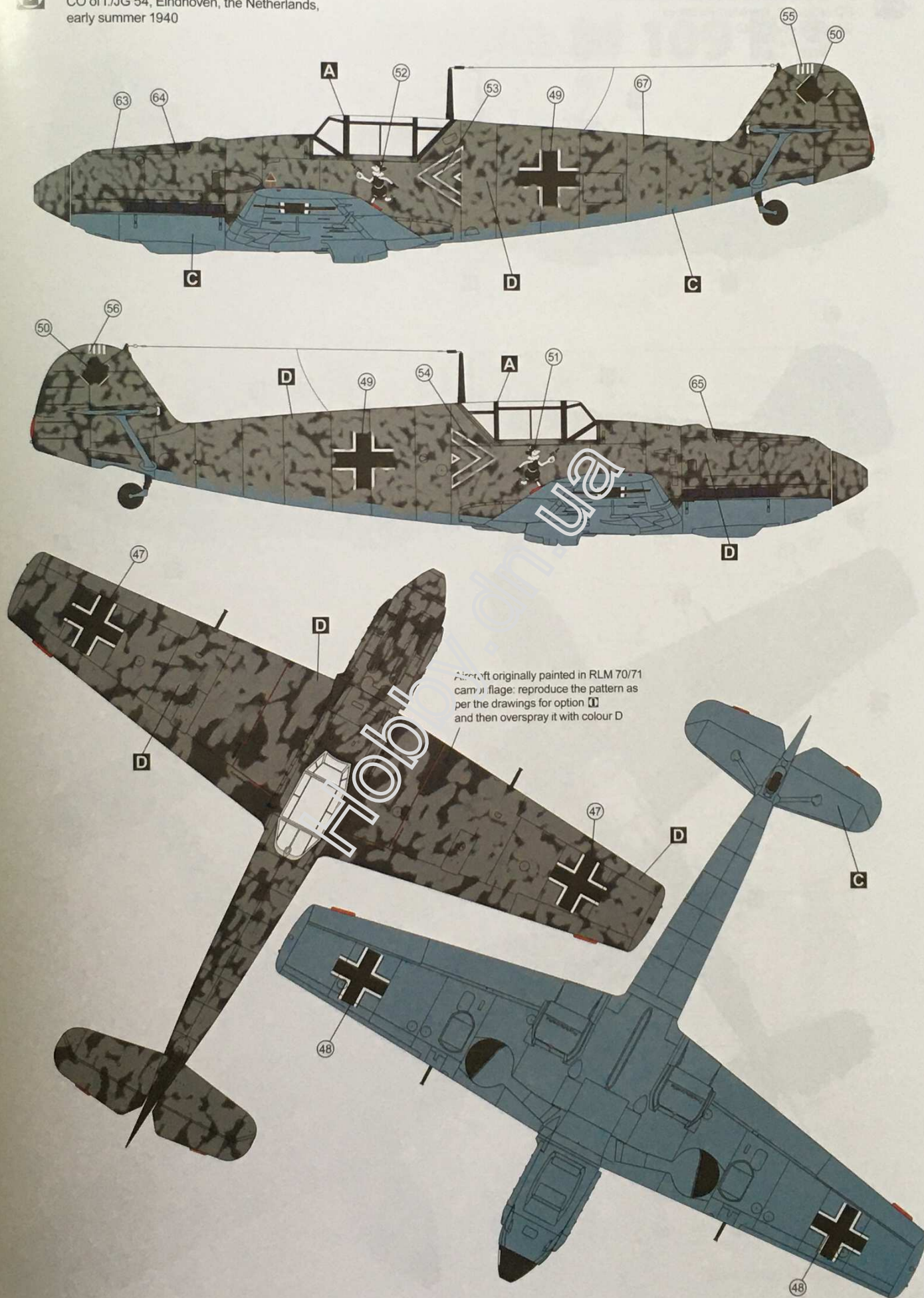
Bf 109 E-3, 2.(J)/LG 2, Poland,  
September 1939





2

Bf 109 E-3, flown by Hptm. Hubertus von Bonin,  
CO of I./JG 54, Eindhoven, the Netherlands,  
early summer 1940





3

Bf 109 E-3, flown by Oblt. Karl-Heinz Greisert,  
CO of 2./JG 2, Frankfurt-Rebstock,  
Germany, early 1940

