



Messerschmitt Bf 110 D

32007



FILL HOLE
FORO PIENO
SCHLIESSEN
EMPUJE EL AGUJERO
ZAMKNAĆ OTWOR
BOUCHER LE TROU
ZAKRYTE OTVOR



OPEN HOLE
FORO APERTO
OFFNEN
HACER AGUJERO
WYKONAC OTWOR
FAIRE UN TROU
VYVITAT OTVOR



DECAL
DECALCOMANIE
ABZBIBILD
CALCOMANIA
KALKOMANIA
DECALCOMANIE
ORISK



REMOVE
RETRIER
ENTFERNEN
CORTAR
WYCIAC
SEPARARE
ODSTRANIT



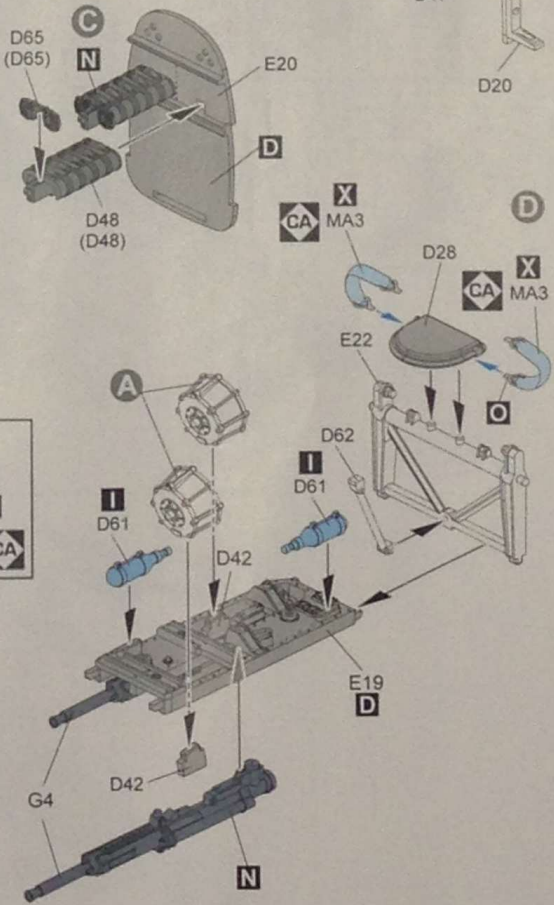
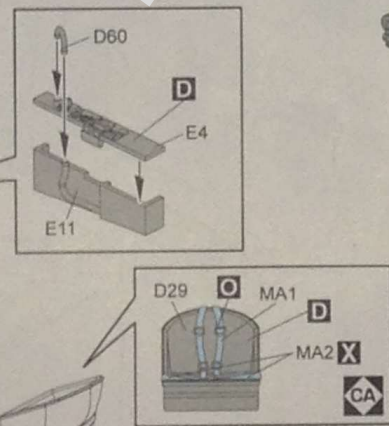
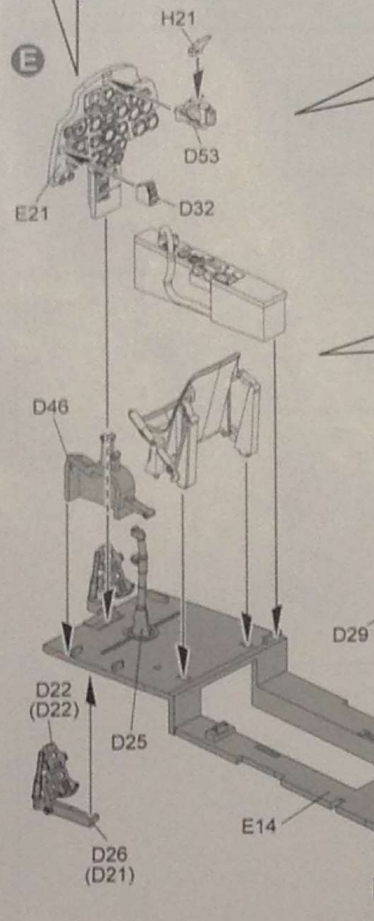
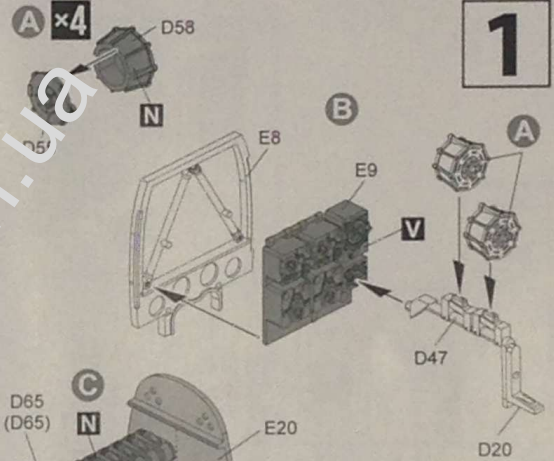
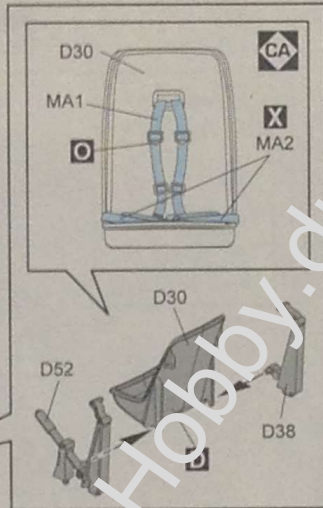
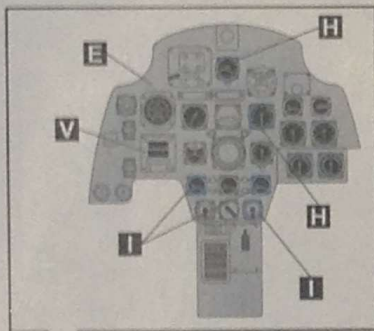
OPTION
FACULTATIF
NACH BELIEBEN
HACER AGUJERO
DO WYBORU
FACOLTATIVO
VOLBA



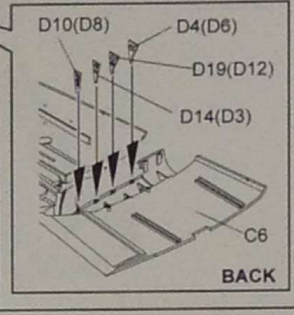
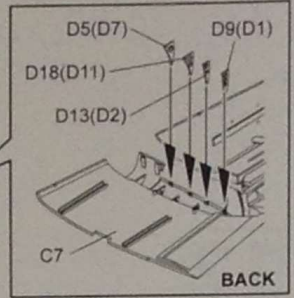
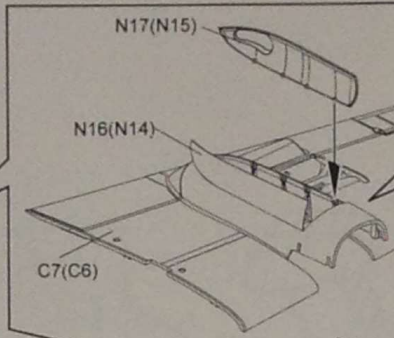
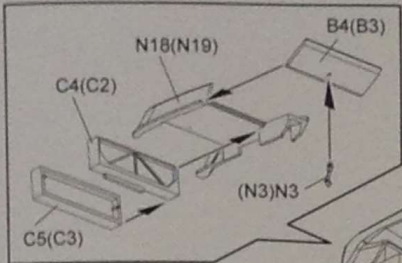
DO NOT CEMENT
NE PAS COLLER
NICHT KLEBEN
NO PEGAR
NIE SLEJAC
NON INCOLLARE
NELEPT



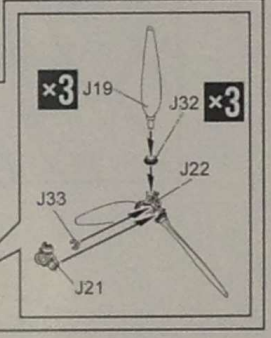
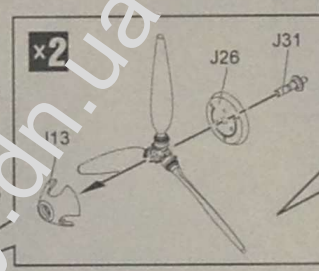
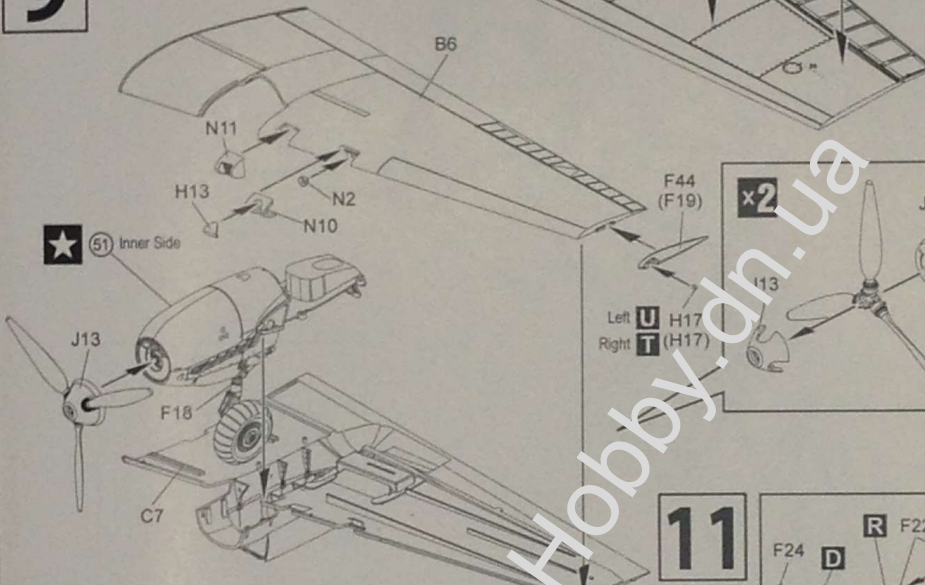
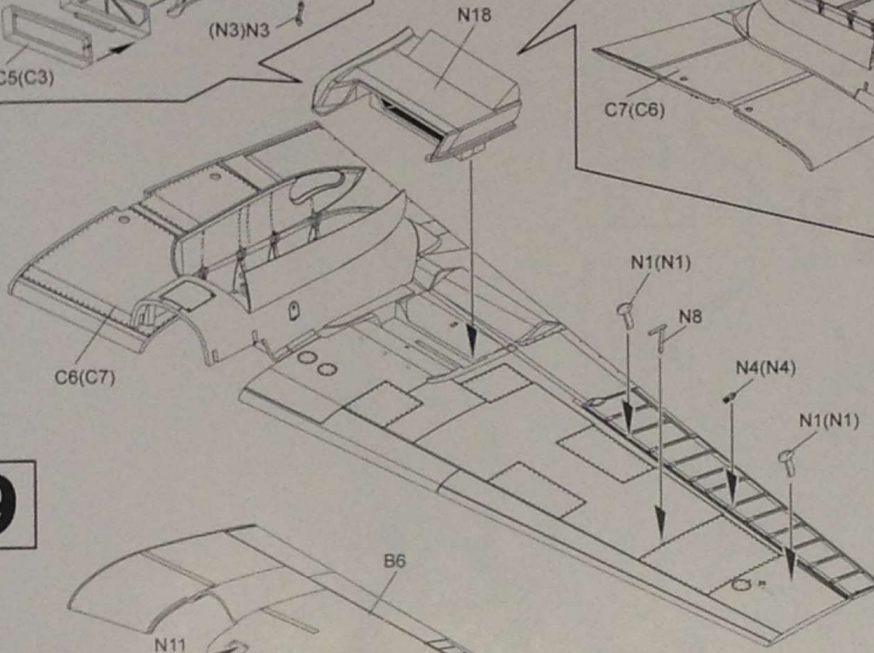
CA GLUE
COLLA CA
CA KLEBER
PEGAMENTO CA
KLEJ CA
COLLE CA
CA LEPILO



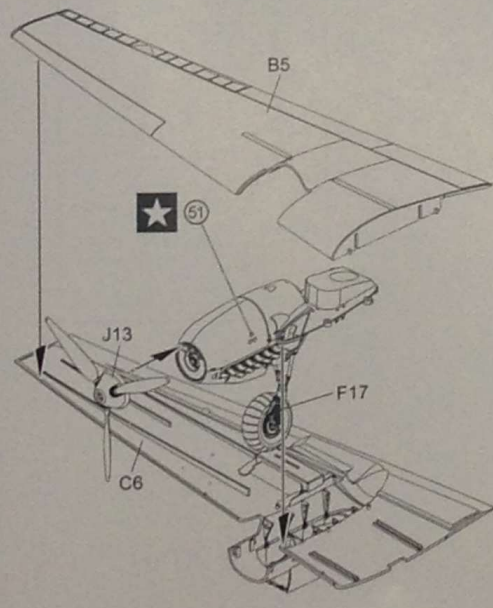
8



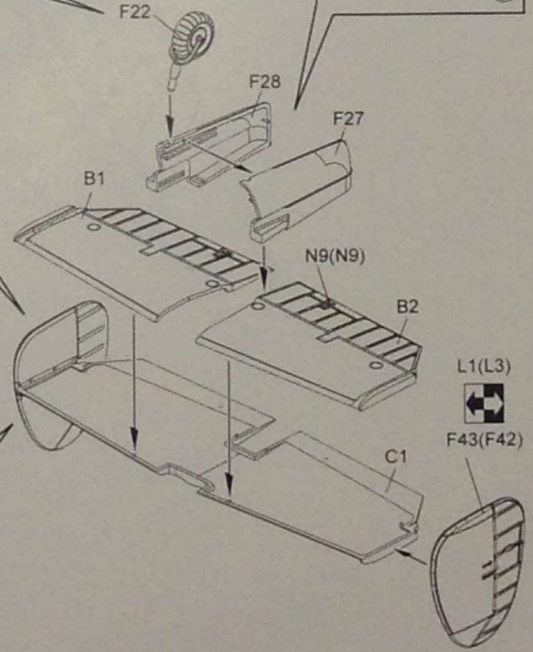
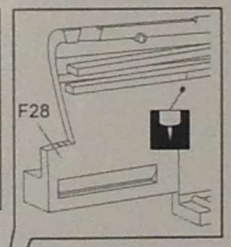
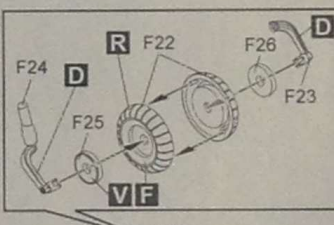
9



10

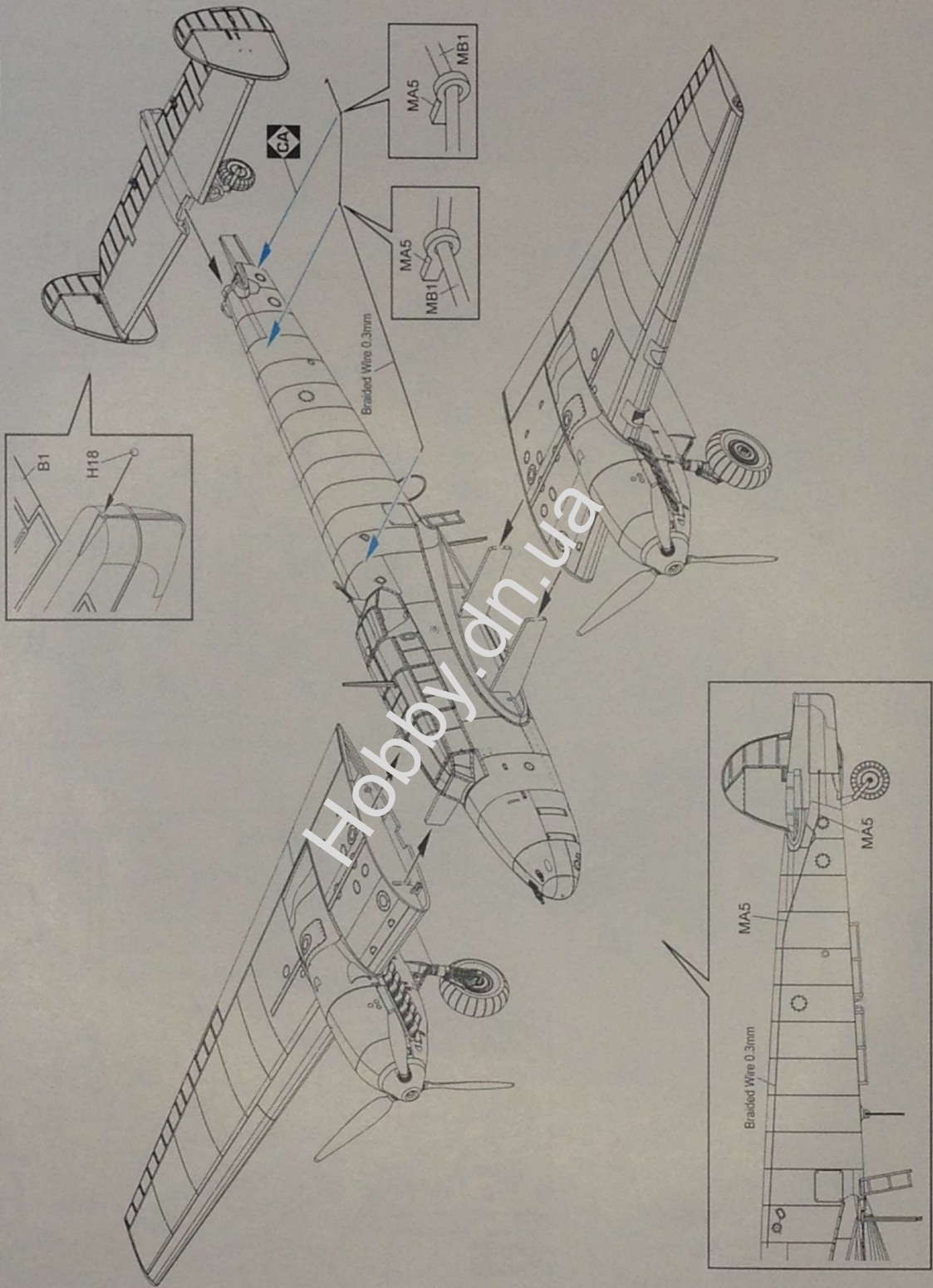


11



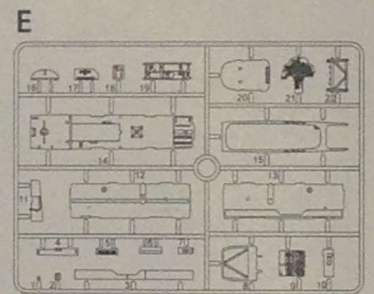
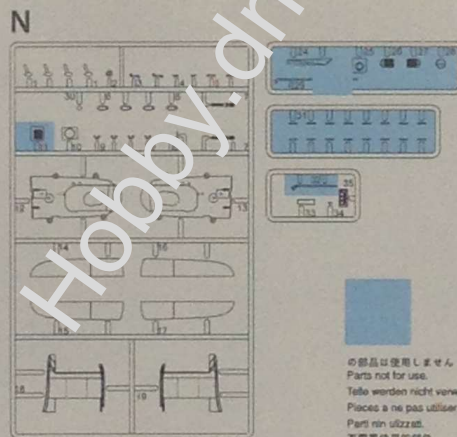
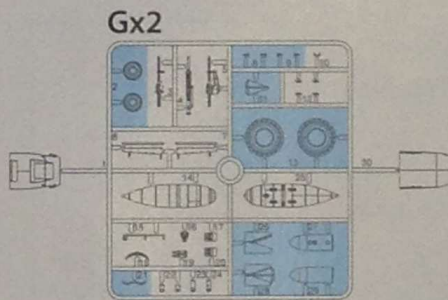
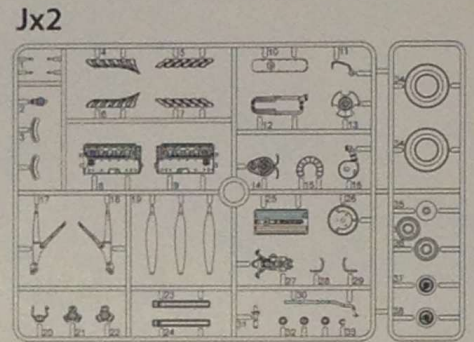
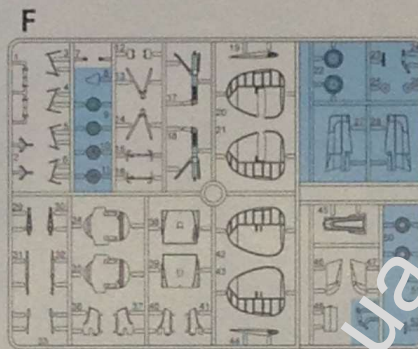
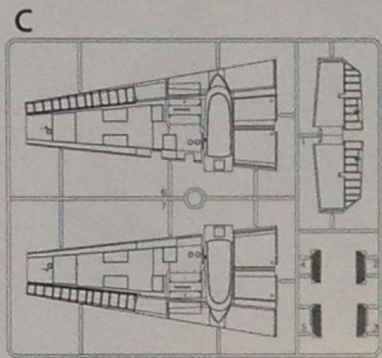
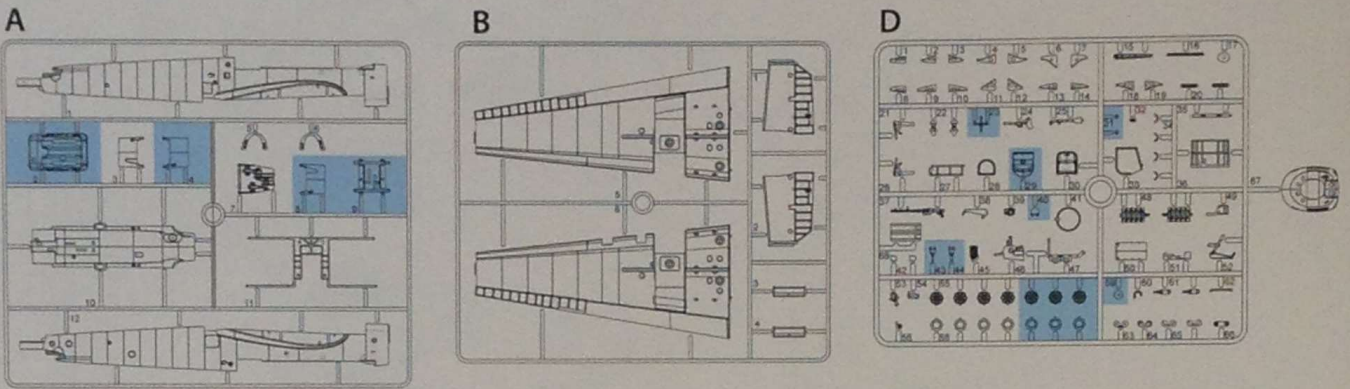
Hobby.dn.ua

12

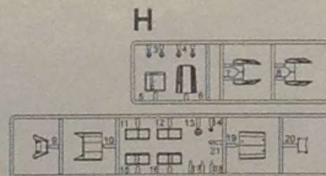
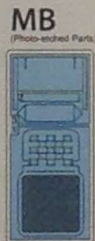
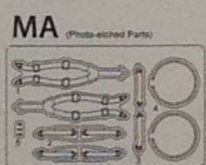
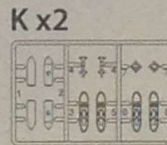
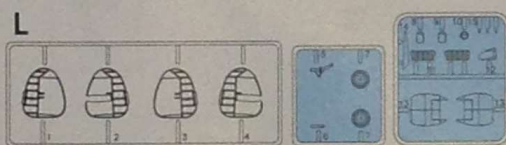


Hobby.dn.ua

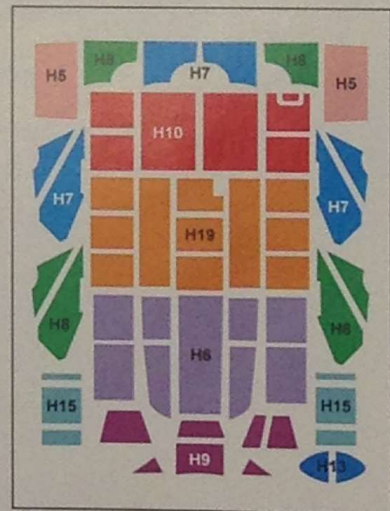
Parts List



この部品は使用しません。
 Parts not for use.
 Teile werden nicht verwendet.
 Pièces a ne pas utiliser.
 Parti nin ulzzati.
 不需要使用的零件



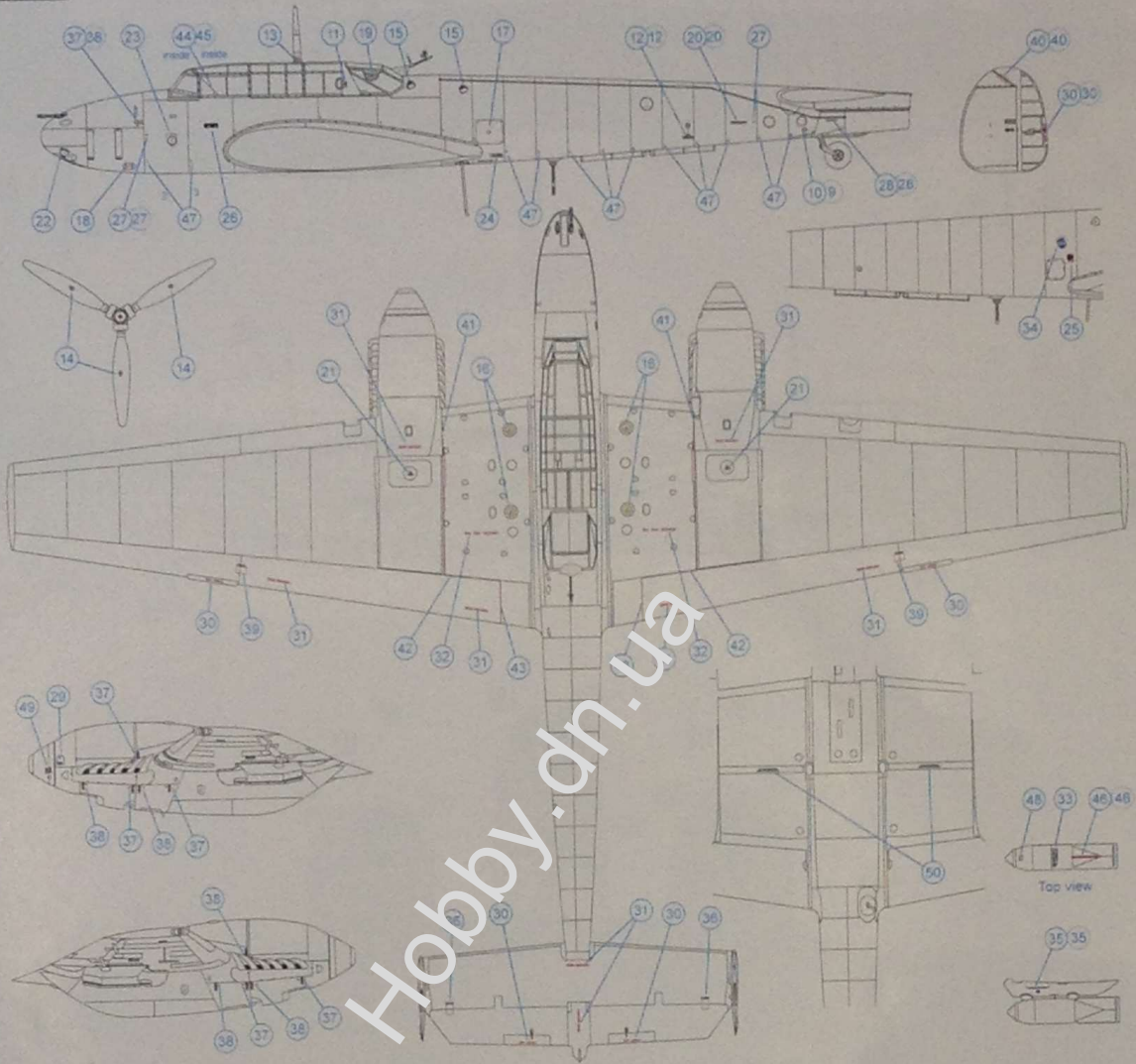
Painting Mask Set





Messerschmitt Bf 110 D

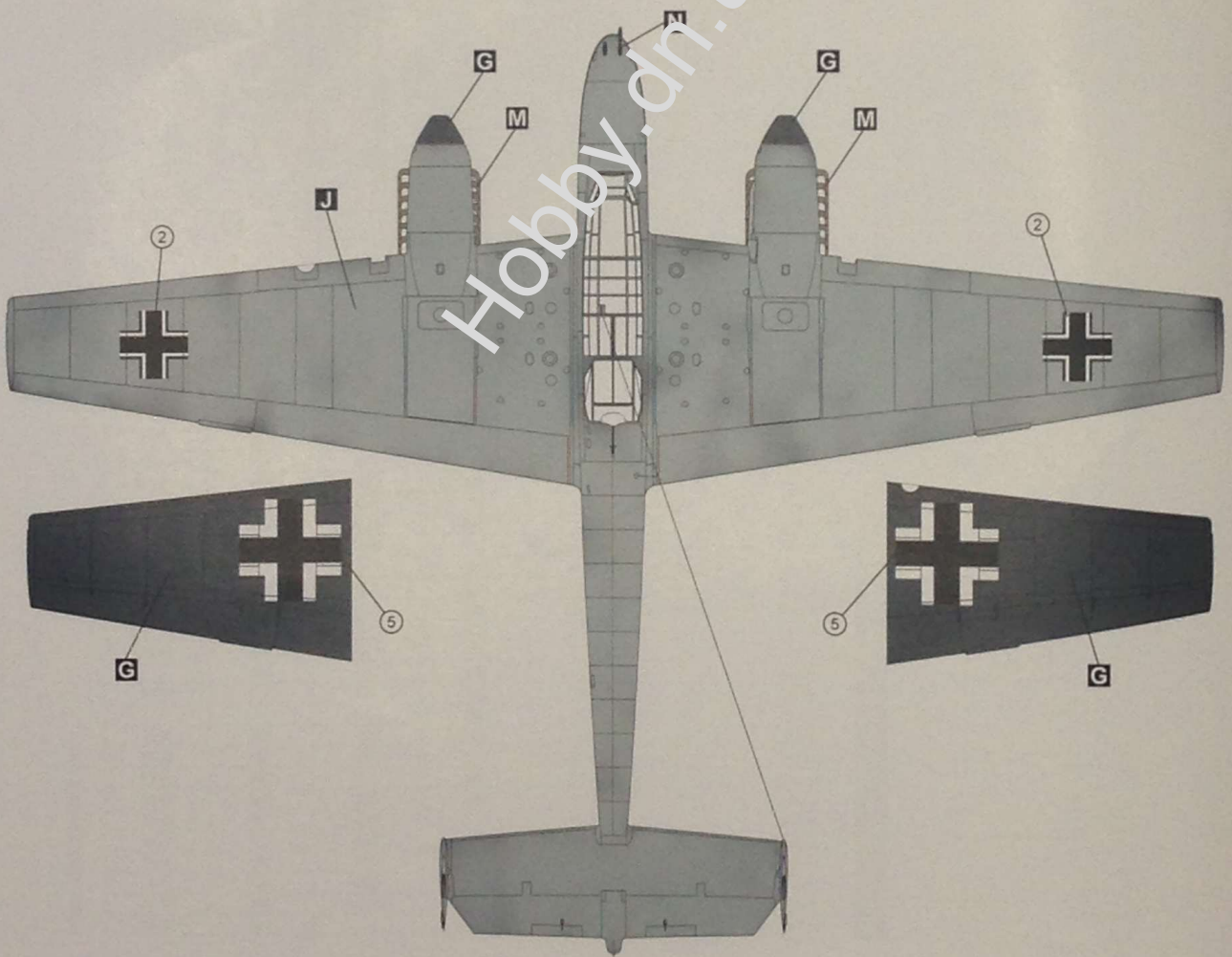
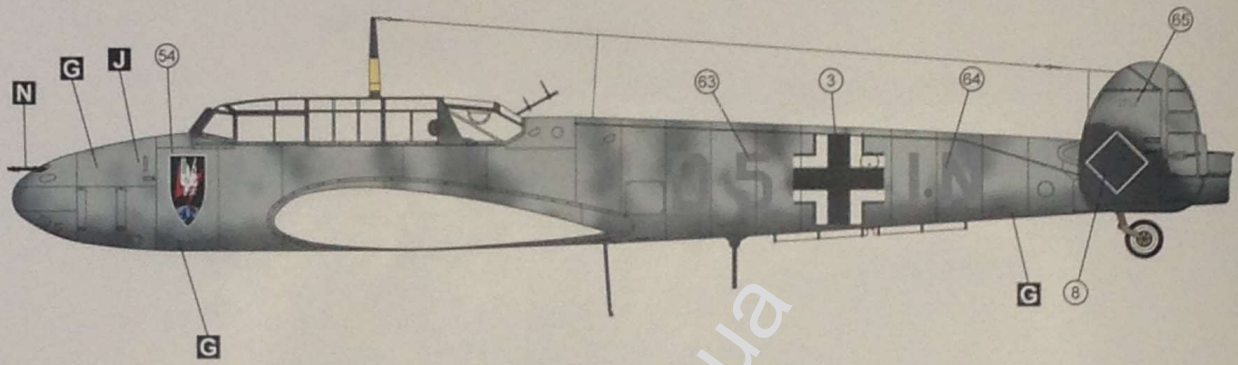
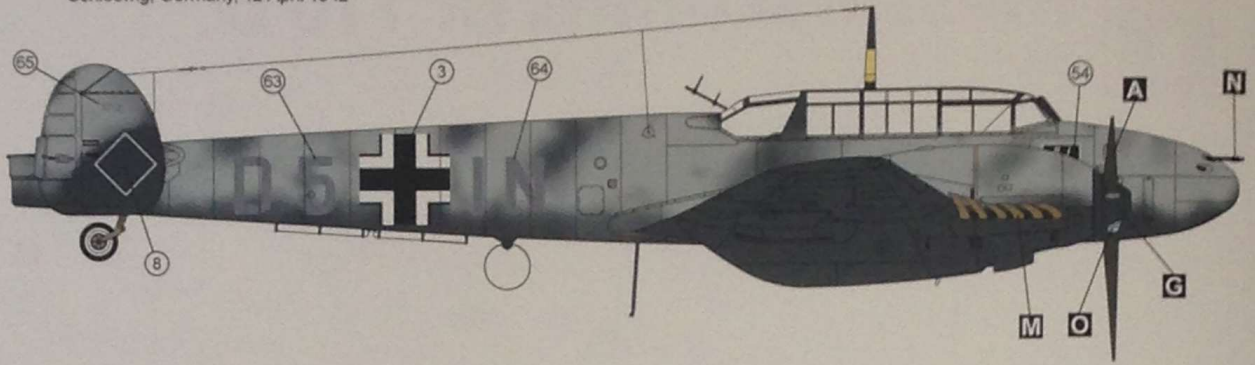
32007



Color Chart	AK Interactive	Alclad2	AMMO	HATAKA	Mr. COLOR	Revell	TAMIYA
RLM 70 Black Green	A RC274	E216	232	015	C18	140	XF-27
RLM 71 Dark Green	B RC275	E647	233	017	C17	139	XF-62+XF-49
RLM 65 Light Blue	C RC271	E214	231	029	C115	149	XF-23+XF-2
RLM 02 Gray	D RC265	E202	217	023	C60	145	XF-22
RLM 66 Black Gray	E RC339	E215	218	040	C116	109	XF-24
RLM 21 White	F RC004	E101	050	101	C062	105	XF-2
RLM 22 Black	G RC001	E102	046	159	C033	108	XF-1
RLM 23 Red	H RC005	E651	049	132	C79	330	XF-7
RLM 24 Blue	I RC011	E640	126	102	C374	156	XF-18
RLM 76 Light Blue	J RC321	E222	063	038	C117	155	
RLM 78 Light Blue	K RC280	E231	247	314	C118	149	XF-23
RLM 79 Sand Yellow	L RC282		222	014	C119	116	
Burnt Metal	M AK484	121	187	016	C61		XF-84
Gun Metal	N RC015	120	045	106		191	X-11
Steel	O AK476	112	191	003	C28	382	XF-78
Wood Brown	P AK11351		036		C043	184	XF-68
Leather	Q AK11110		133	186		106	XF-85
Tyre Black	R RC022	E310	033	040	C137	139	XF-65
Field Grey	S RC048		F512		C052		X-25
Clear Green	T RC505	404	092		C94	731	X-27
Clear Red	U RC503	401	093		C47	107	X-1
Gloss Black	V AK471	305			C002	199	XF-16
Aluminium	W AK479	101	194	078	MC218	314	XF-57
Buff	X AK11031	E024	025	184			



Bf 110 D-3, WNr 3712, D5+IN, 5./NJG 3,
flown by Fw. Heinz Meisner of 6./NJG 3,
Schleswig, Germany, 12 April 1942



3

Bf 110 D-0, WNr. 3201, 3M+LH,
flown by Oblt. Gerhard Granz of 1./ZG 2,
Amiens, France, summer 1940

