



Messerschmitt Bf 110 E

32008



FILL HOLE
FORO PIENO
SCHLIESSEN
EMPUJE EL AQUJERO
ZAKMNAĆ OTWÓR
BOUCHER LE TROU
ZAKRYTE OTVOR



OPEN HOLE
FORO APERTO
OFFNEN
HACER AQUJERO
WYKONAC OTWÓR
FAIRE UN TROU
VYVRTAT OTVOR



DECAL
DECALCOMANIE
ABZIEHILD
CALCOMANIA
KALKOMANIA
DECALCOMANIE
OBTISK



REMOVE
RETRERER
ENTFERNEN
CORTAR
WYCIAC
SEPARARE
ODSTRANIT



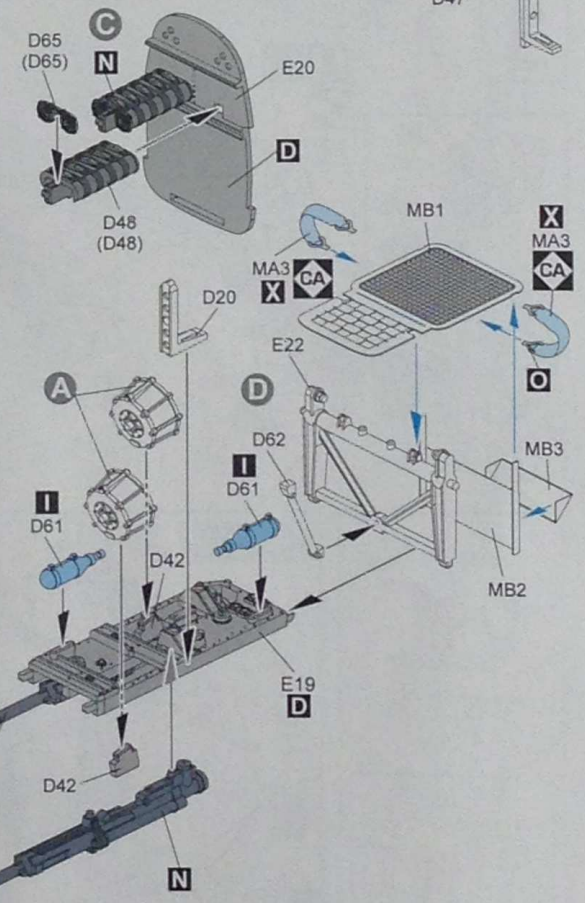
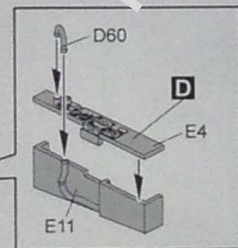
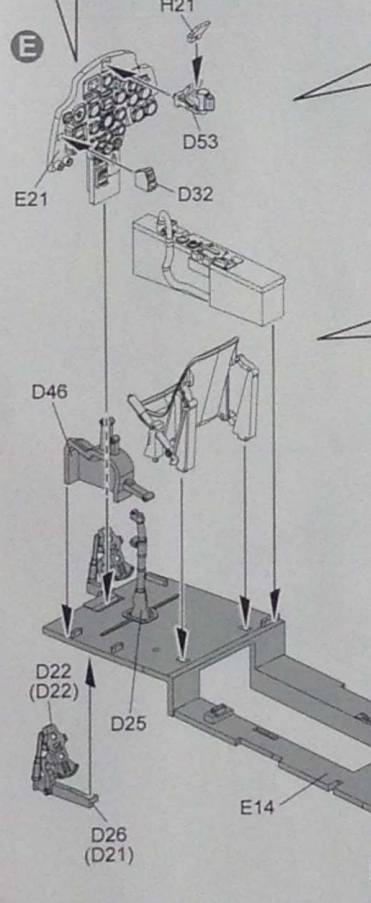
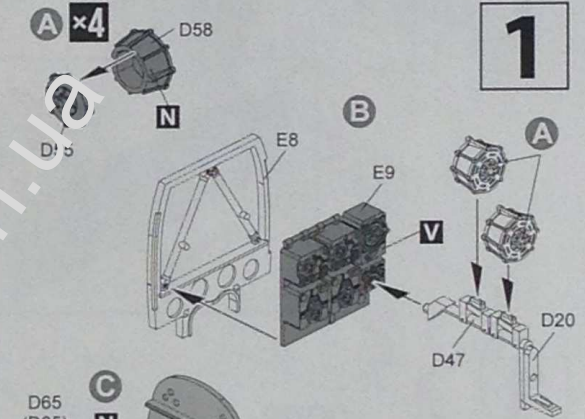
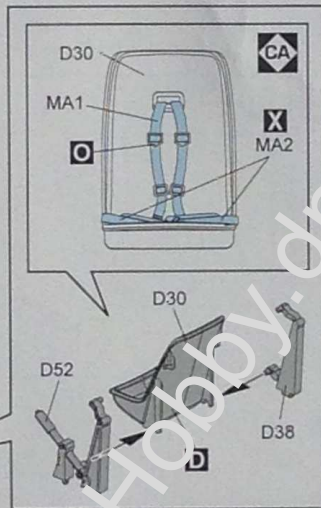
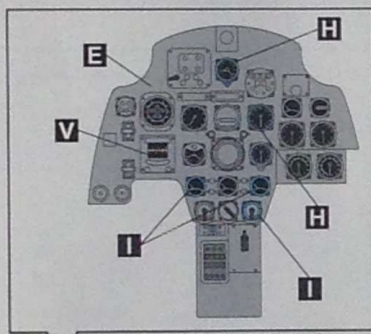
OPTION
FACULTATIF
NACH BELIEBEN
HACER AQUJERO
DO WYBORU
FACOLTATIVO
VOLBA



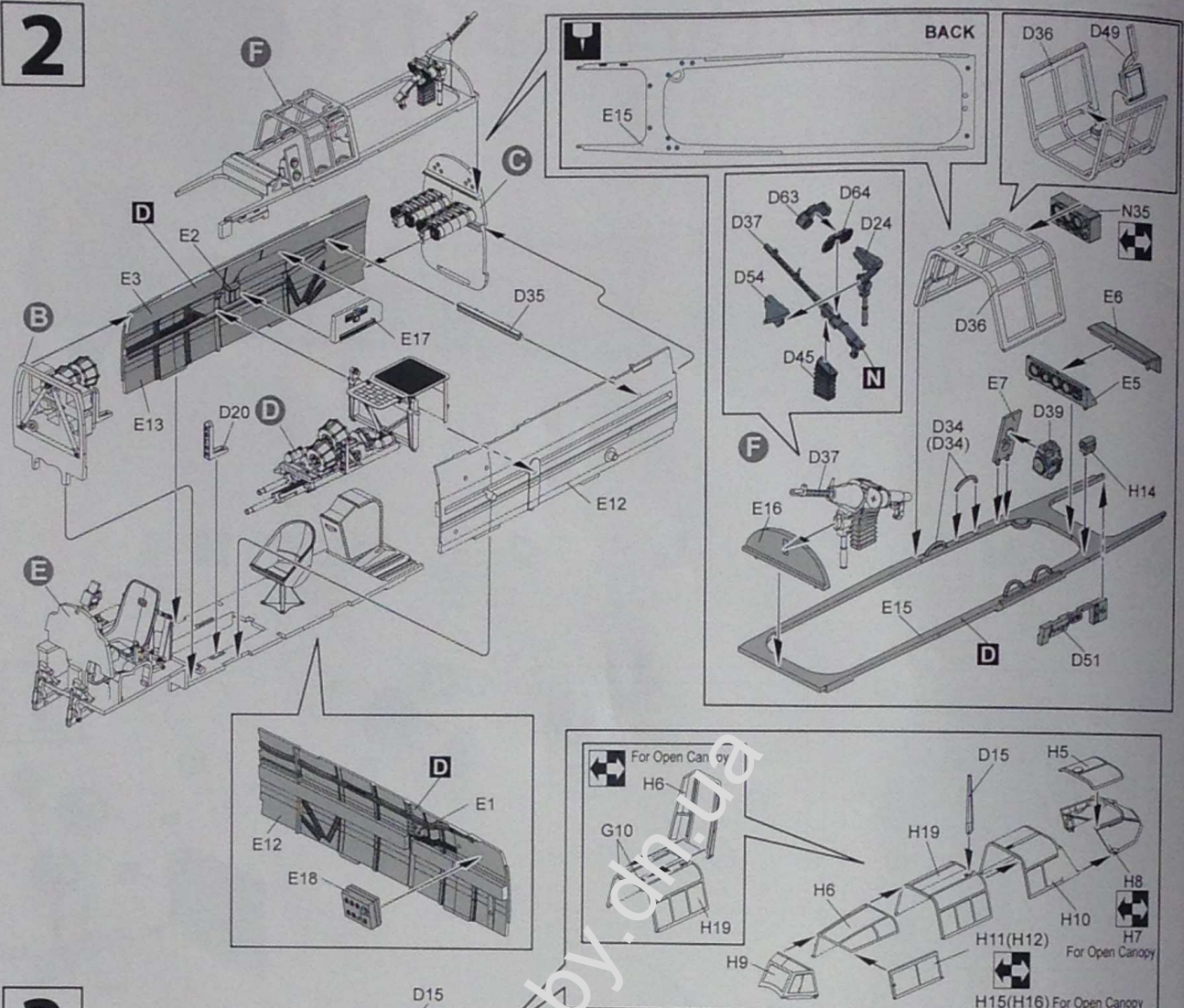
DO NOT CEMENT
NE PAS COLLER
NICHT KLEBEN
NO PEGAR
NIE SKLEJAC
NON INCOLLARE
NELEPIT



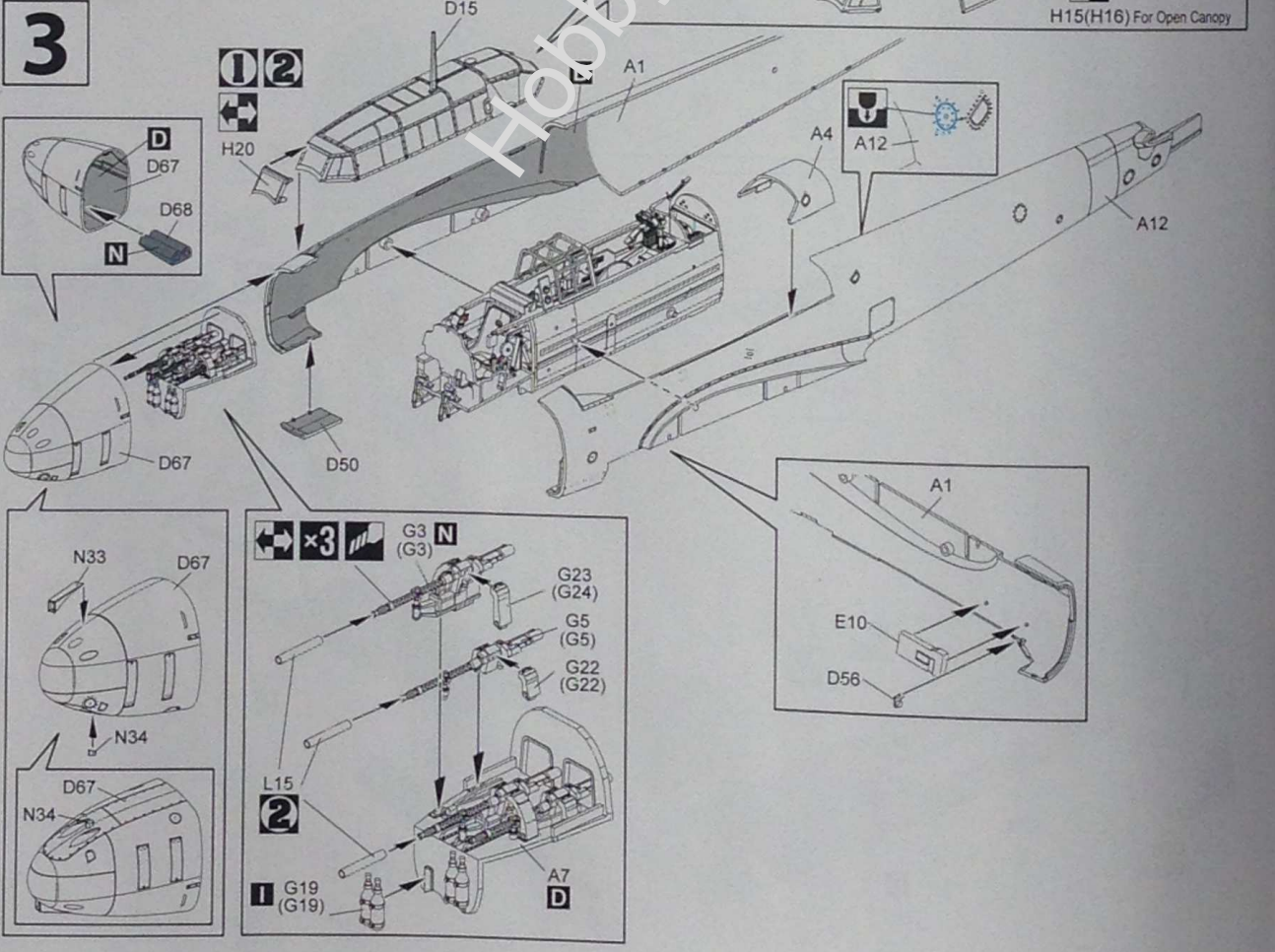
CA GLUE
COLLA CA
CA KLEBER
PEGAMENTO CA
KLEJ CA
COLLE CA
CA LEPIDLO



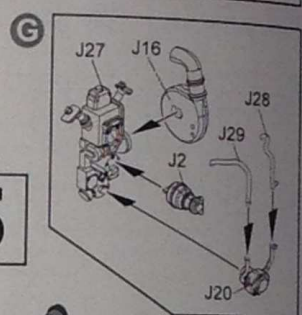
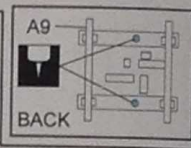
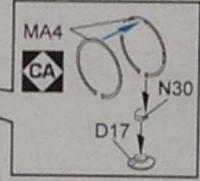
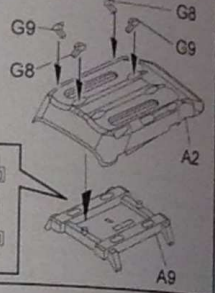
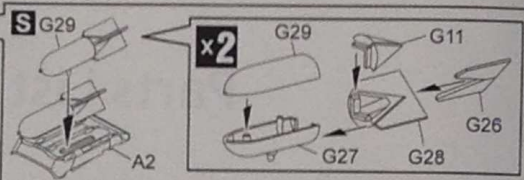
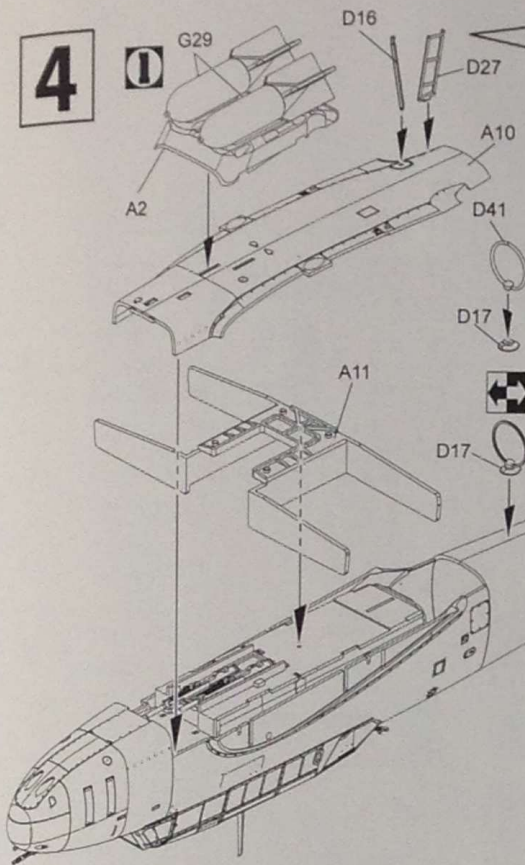
2



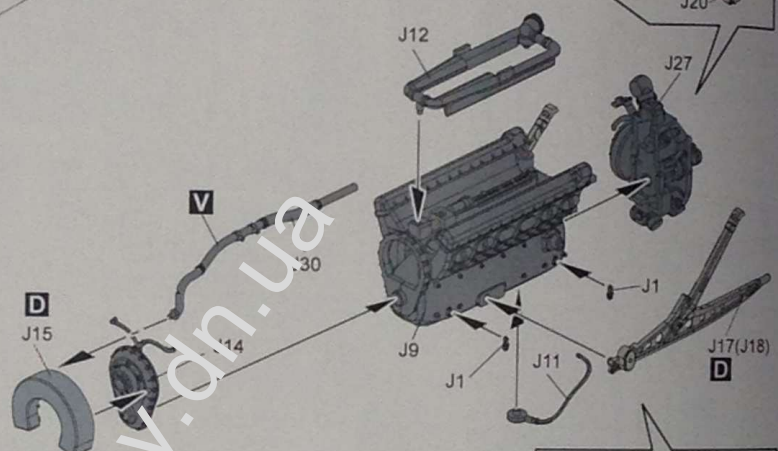
3



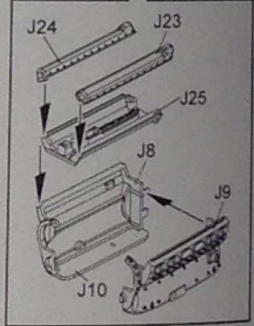
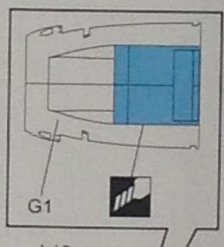
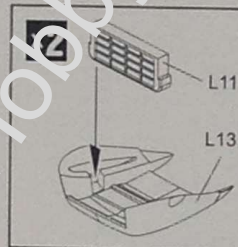
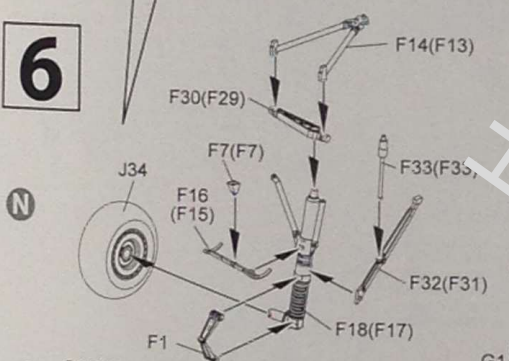
4



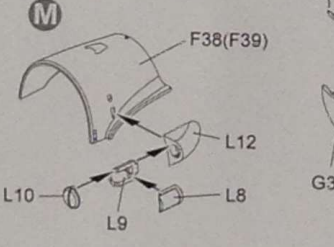
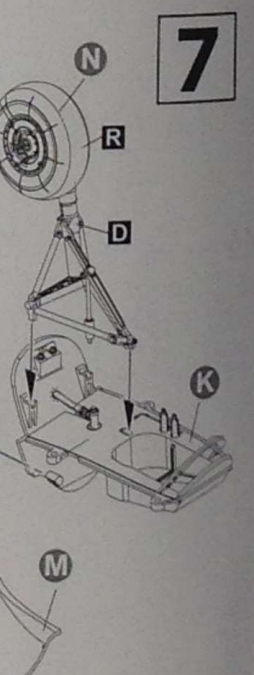
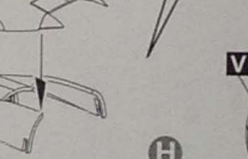
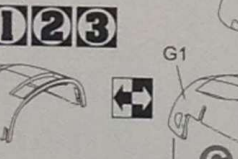
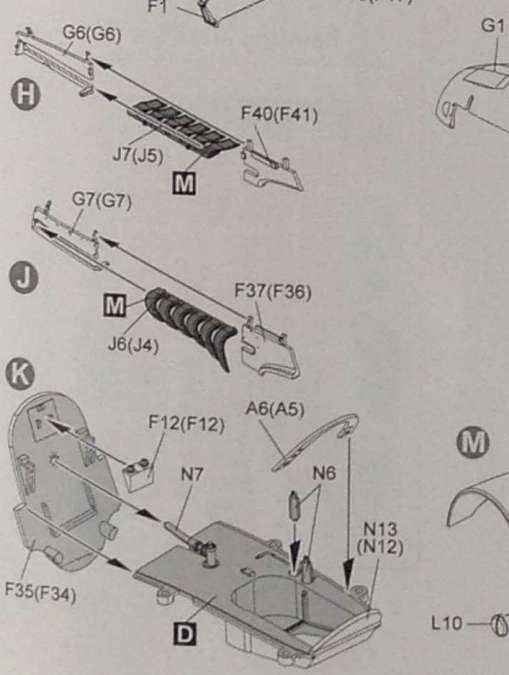
5



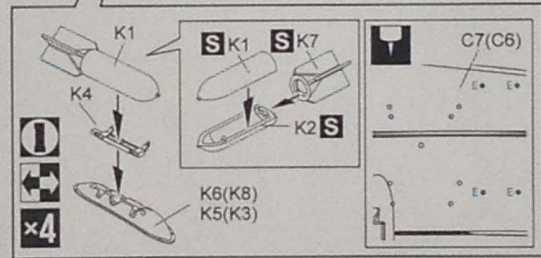
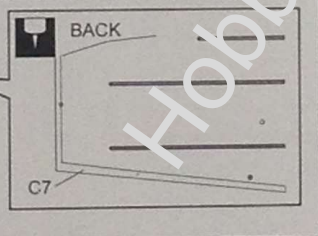
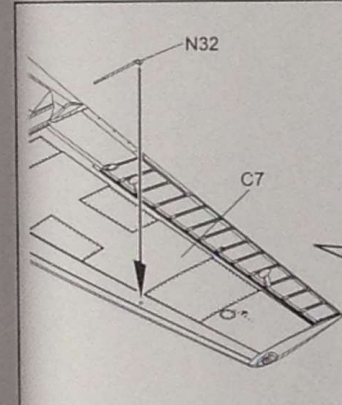
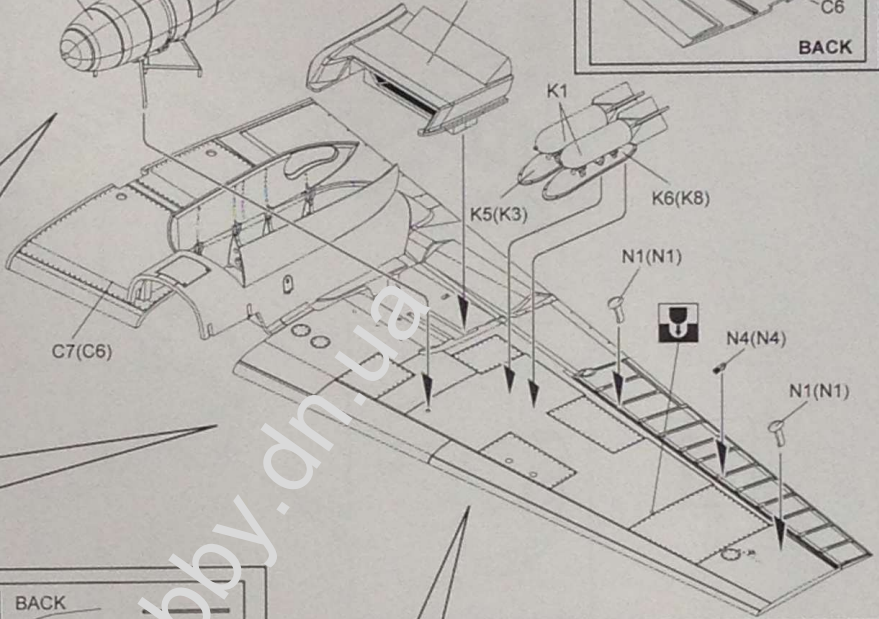
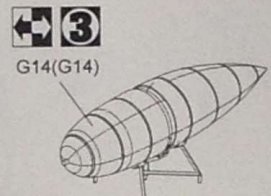
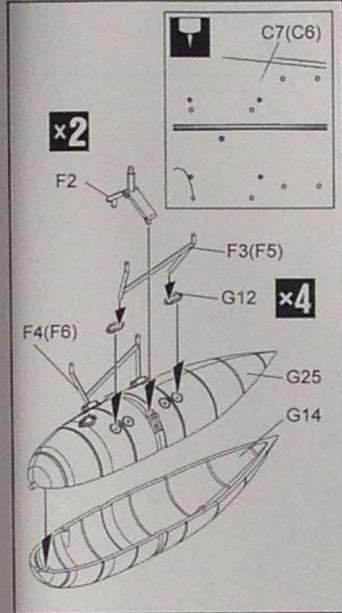
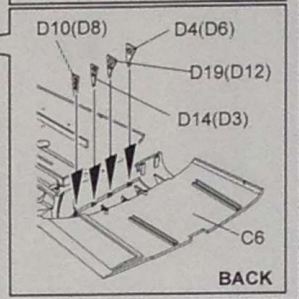
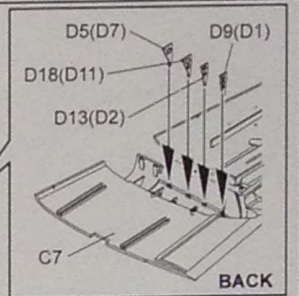
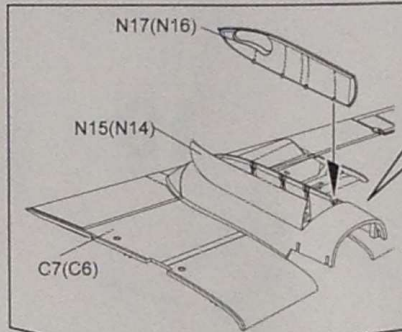
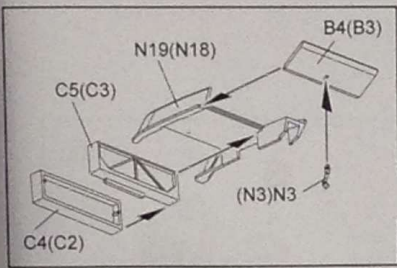
6



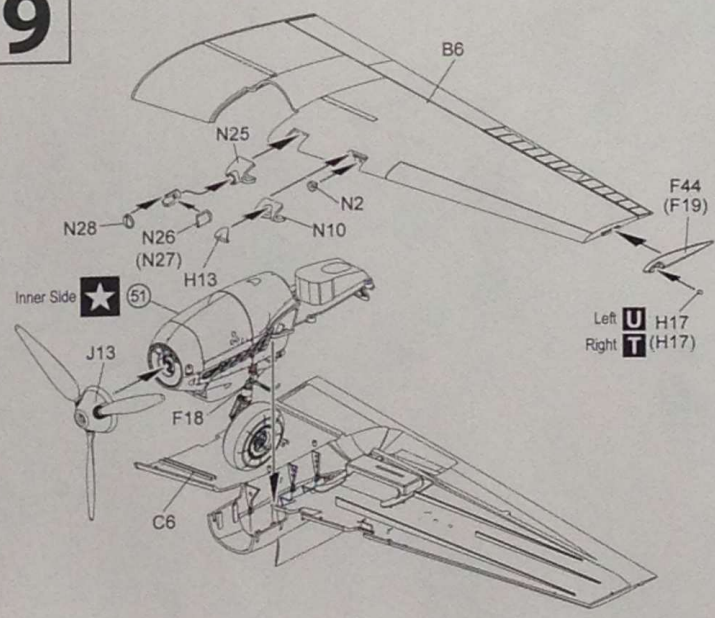
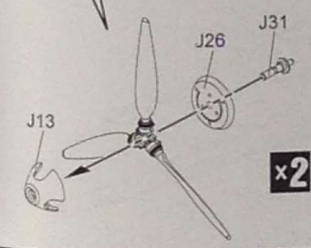
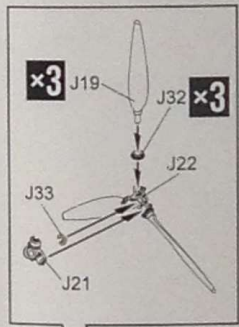
7



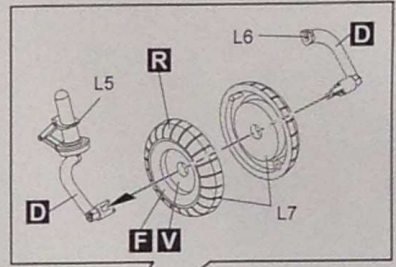
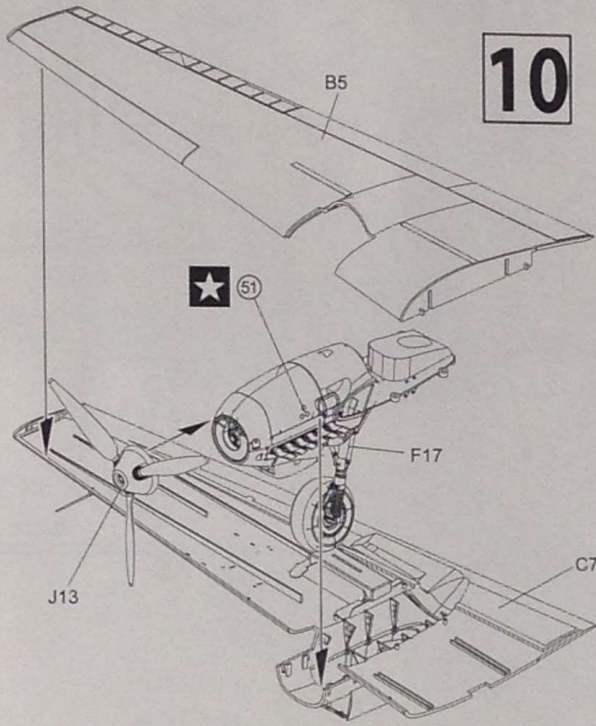
8



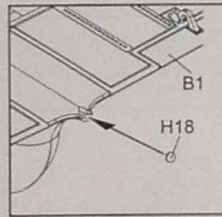
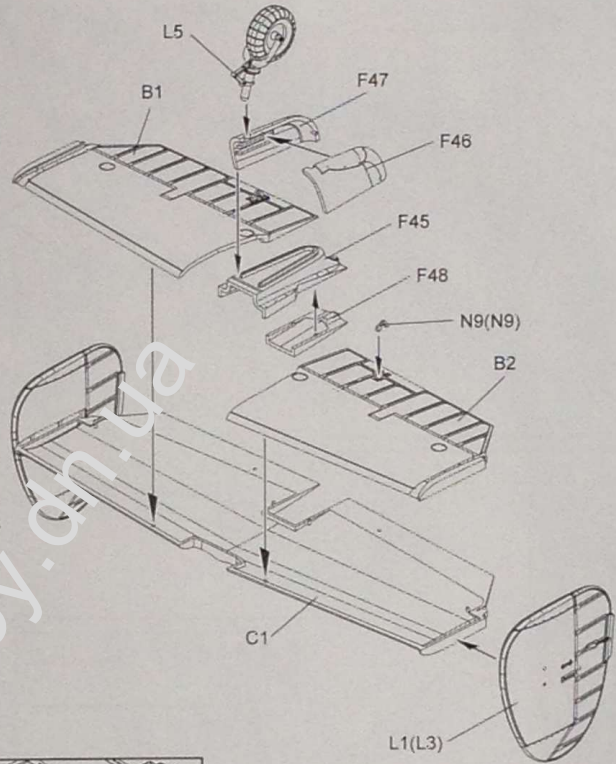
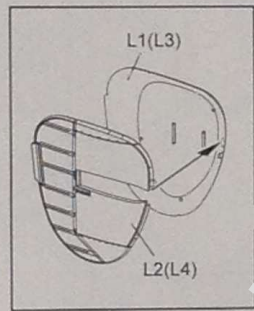
9



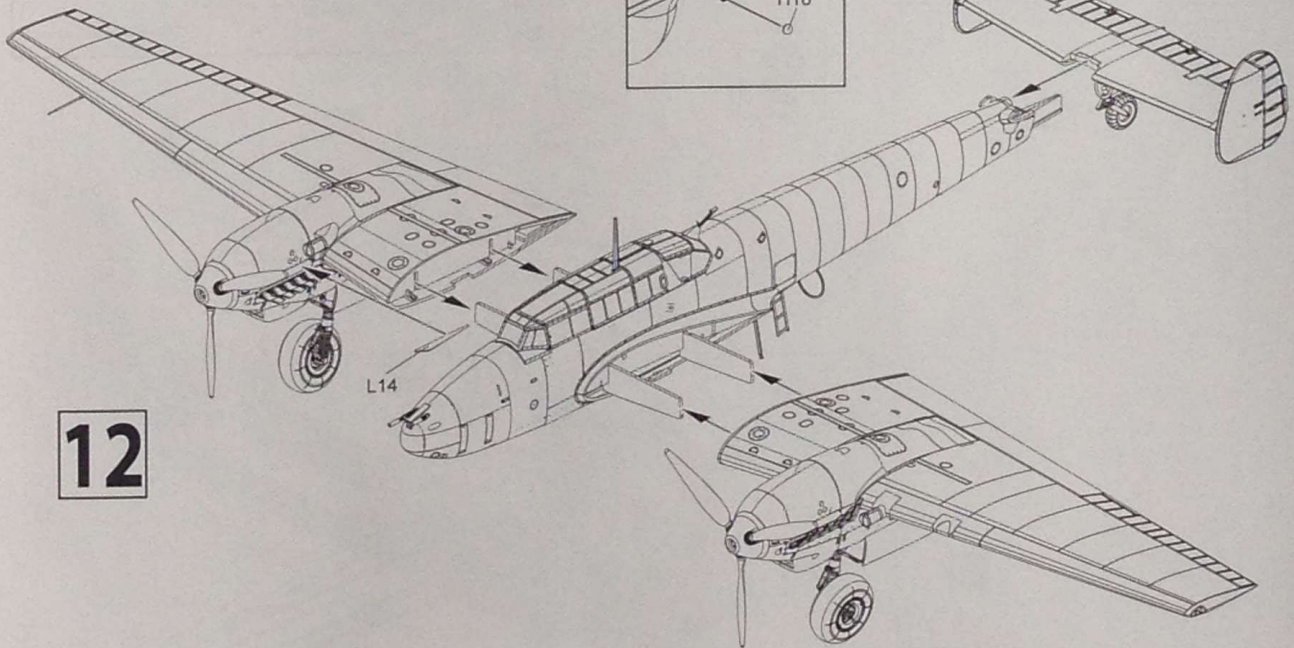
10



11



12



Parts List

A

B

D

C

F

Jx2

Gx2

N

E

の部品は使用しません
Parts not for use.
Teile werden nicht verwendet.
Pièces a ne pas utiliser.
Parti rin ulizzati.
不需要使用的零件

L

K x2

MA (Photo-etched Parts)

MB (Photo-etched Parts)

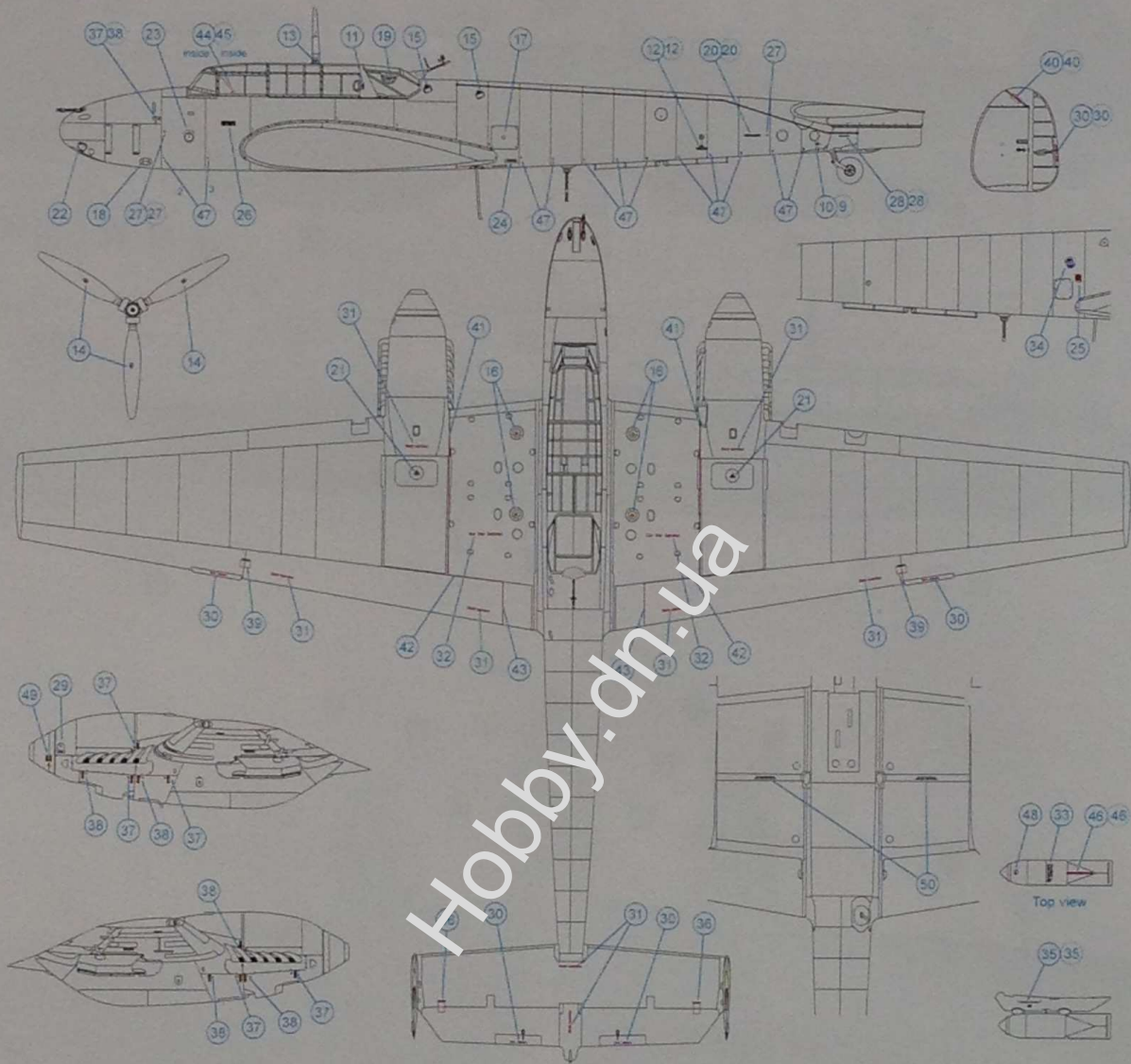
H

Painting Mask Set



Messerschmitt Bf 110 E

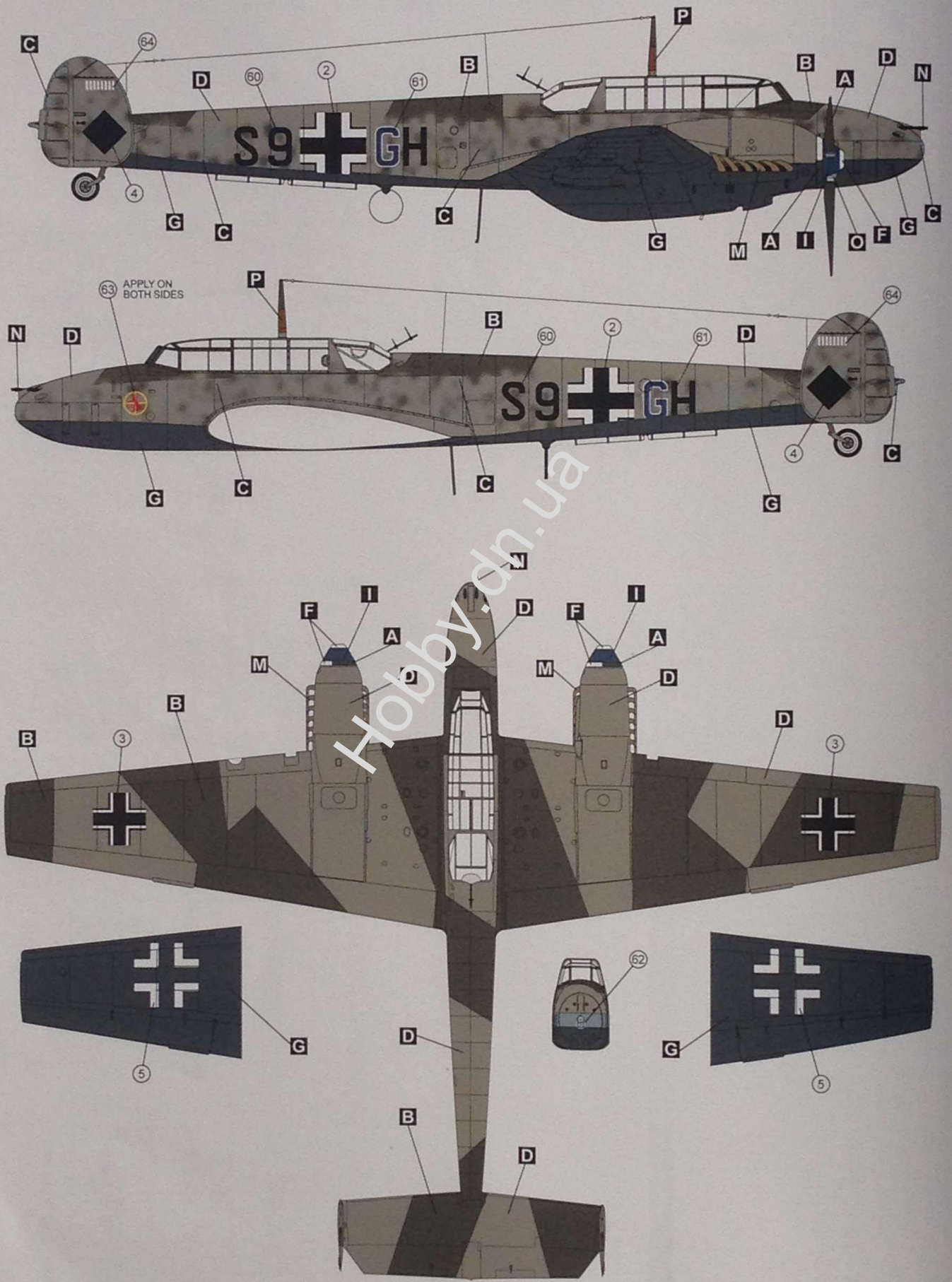
32008



Hobby.dn.ua

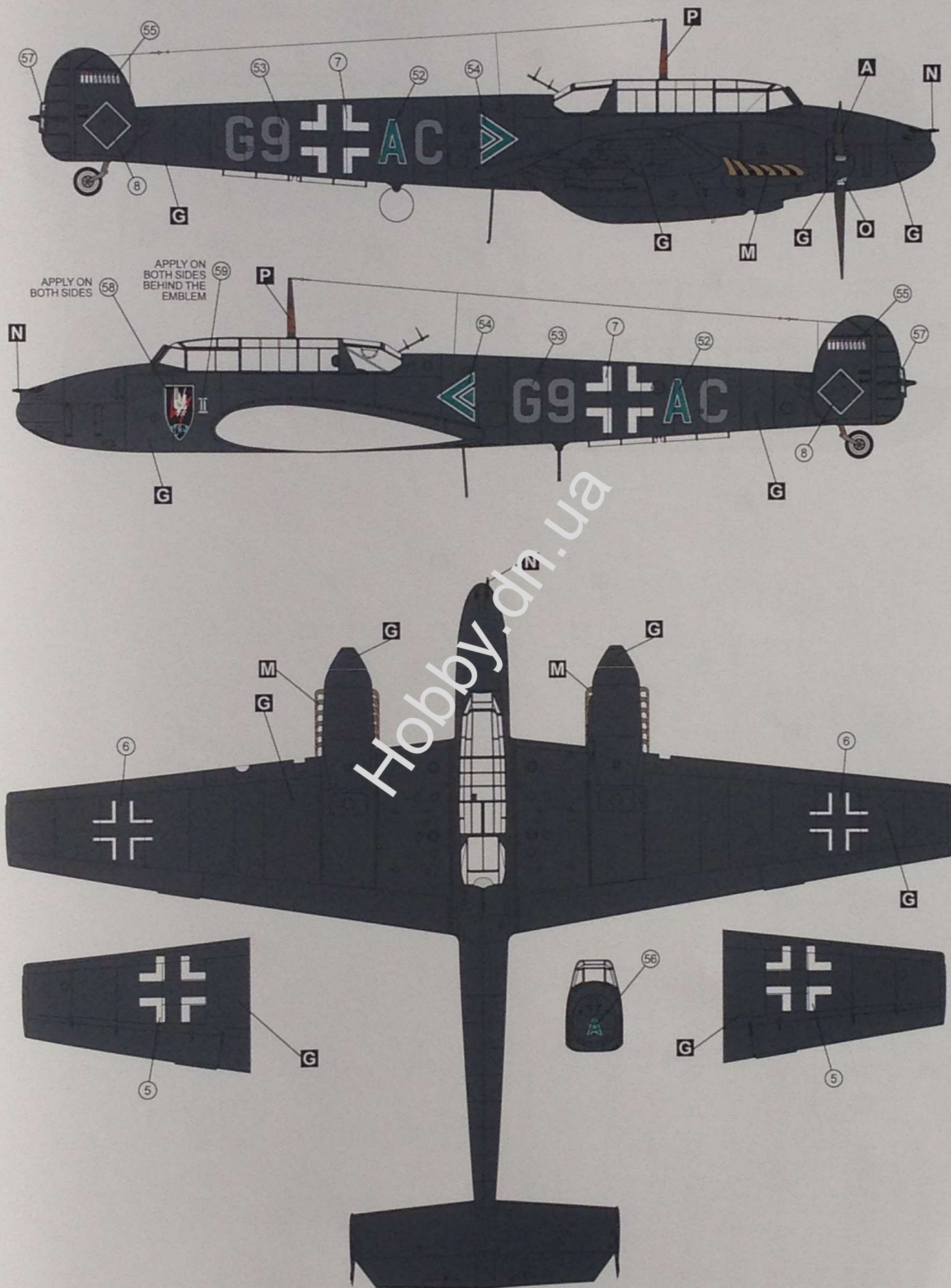
Color Chart	AK Interactive	Alclad2	AMMO	HATAKA	Mr. COLOR	Revell	TAMIYA	
RLM 70 Black Green	A	RC274	E216	232	015	C18	140	XF-27
RLM 71 Dark Green	B	RC275	E647	233	017	C17	139	XF-62+XF-49
RLM 65 Light Blue	C	RC271	E214	231	029	C115	149	XF-23 +XF-2
RLM 02 Gray	D	RC265	E202	217	023	C60	145	XF-22
RLM 66 Black Gray	E	RC339	E215	218	040	C116	109	XF-24
RLM 21 White	F	RC004	E101	050	101	C062	105	XF-2
RLM 22 Black	G	RC001	E102	046	159	C033	108	XF-1
RLM 23 Red	H	RC005	E651	049	132	C79	330	XF-7
RLM 24 Blue	I	RC011	E640	126	102	C374	156	XF-18
RLM 76 Light Blue	J	RC321	E222	063	038	C117	155	
RLM 78 Light Blue	K	RC280	E231	247	314	C118	149	XF-23
RLM 79 Sand Yellow	L	RC282		222	014	C119	116	
Burnt Metal	M	AK484	121	187	016	C61		XF-84
Gun Metal	N	RC015	120	045	106			
Steel	O	AK476	112	191	003	C28	191	X-11
Wood Brown	P	AK11104		036		C043	382	XF-78
Leather	Q	AK11110		133	186		184	XF-68
Tyre Black	R	RC022	E310	033	040	C137	106	XF-85
Field Grey	S	RC048		F512		C052	139	XF-65
Clear Green	T	RC505	404	092		C94		X-25
Clear Red	U	RC503	401	093		C47	731	X-27
Gloss Black	V	AK471	305			C002	107	X-1
Aluminium	W	AK479	101	194	078	MC218	199	XF-16
Buff	X	AK11031	E024	025	184		314	XF-57

I Bf 110 E, S9+GH,
 1./Erpr. Gr 210, Calais-Marck,
 France, early 1941



2

Bf 110 E, <<G9+AC, flown by Hptm. Walter Ehle, CO of II./NJG 1, St.-Trond, Belgium, summer 1942



3

Bf 110 E-2, prob. WNr 4005, 3U+KS, 8./ZG 26,
Derna, Libya, November 1941

