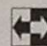


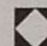



Messerschmitt Bf 109 E-3 Legion Condor

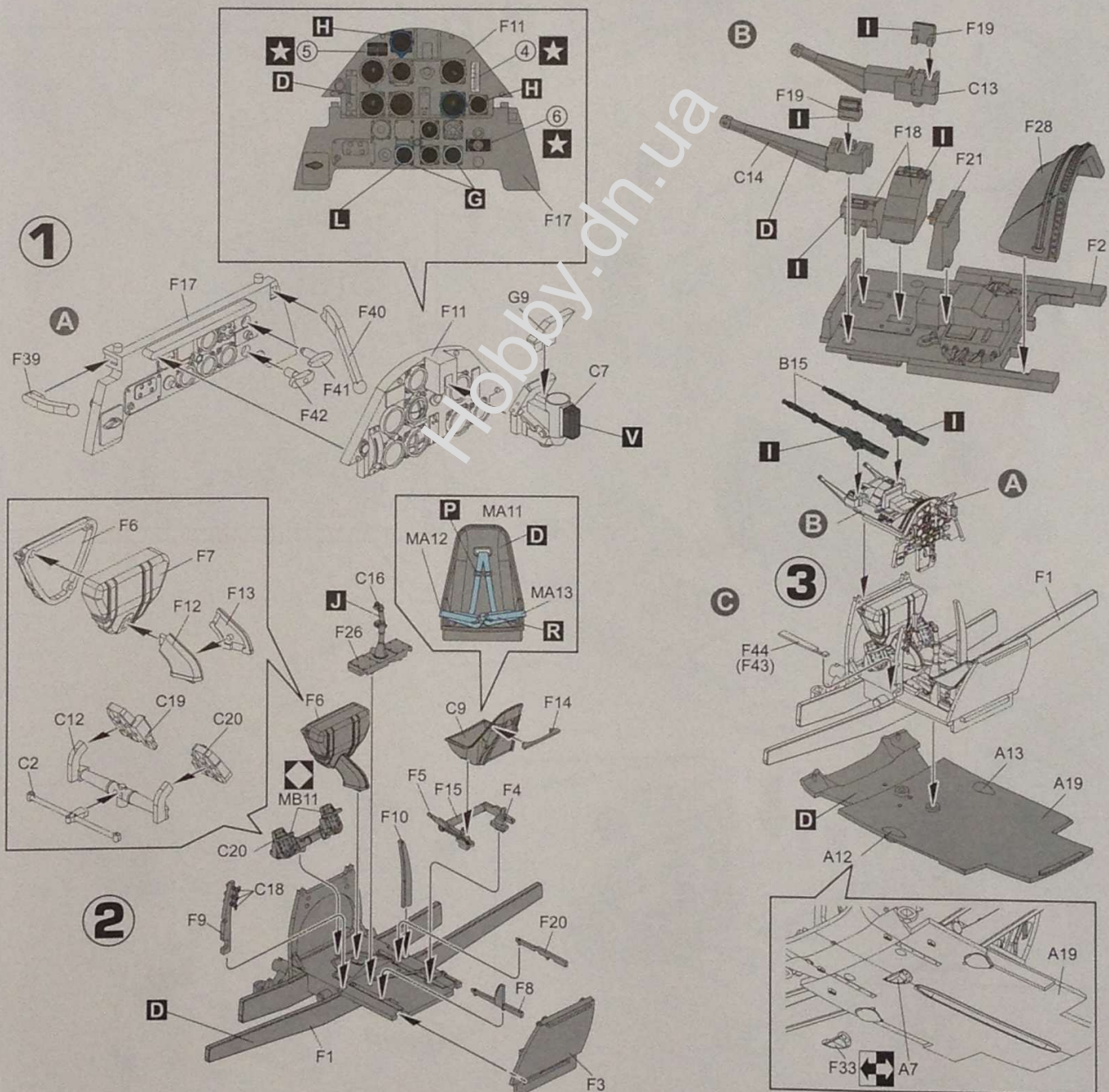
32009



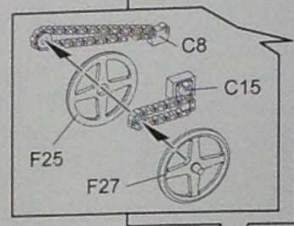
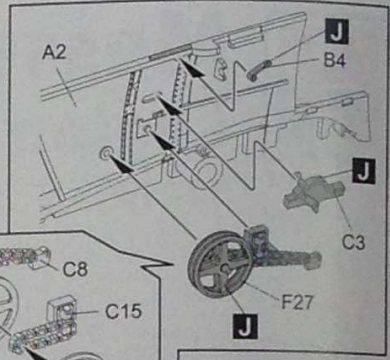
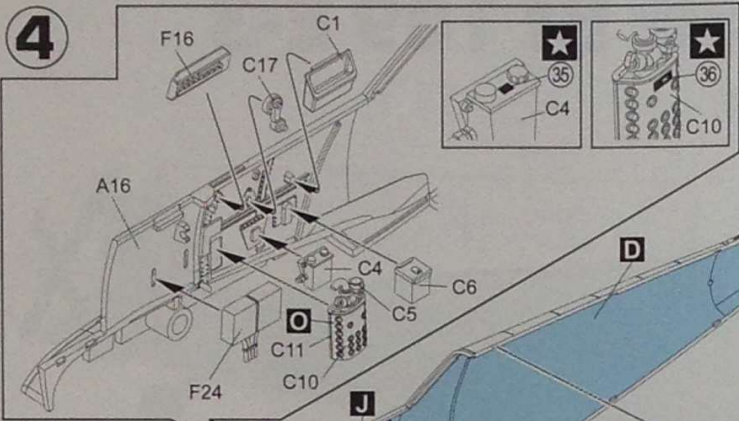
 OPTION
FACULTATIF
NACH BELIEBEN
NACER AQLJERO
DO WYBORU
FACULTATIVO
VOLBA

 CA GLUE
COLLA CA
CA KLEBER
PEGAMENTO CA
KLEI CA
COLLE CA
CA LEPIDLO

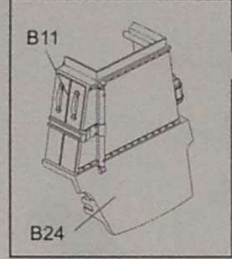
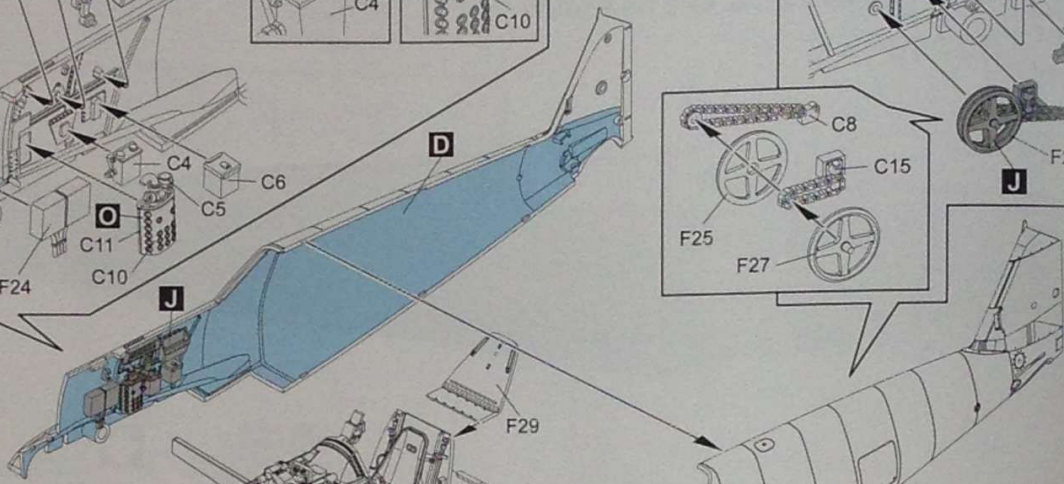
 REMOVE
RETIRES
ENTFERNEN
CORTAR
WYCIAC
SEPARARE
ODSTRANIT



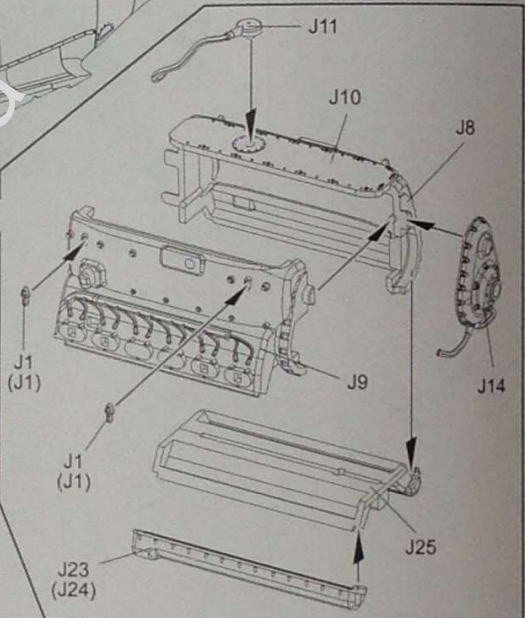
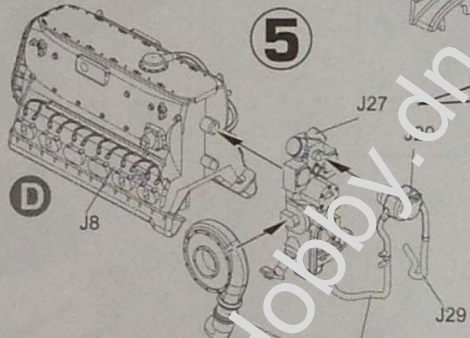
4



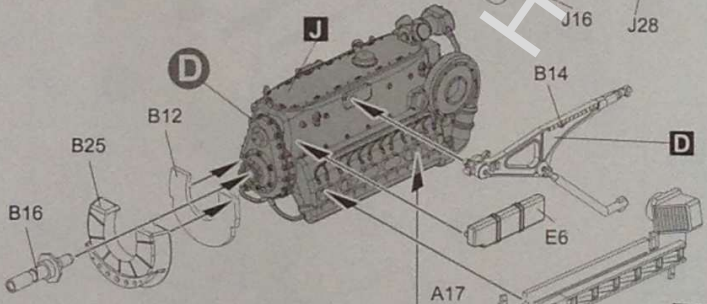
M



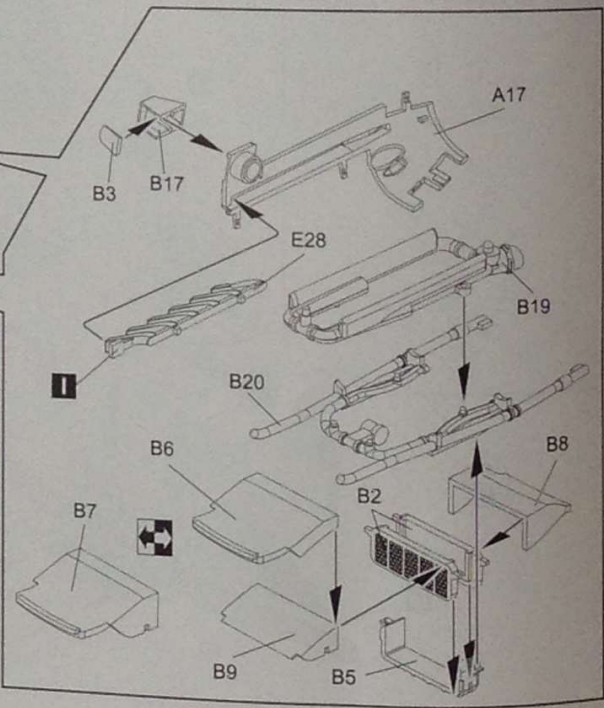
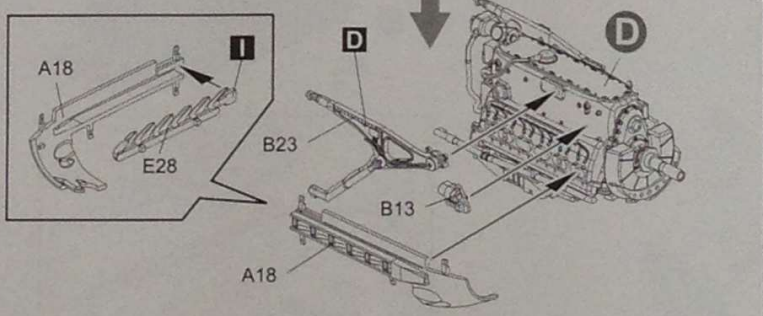
5



D

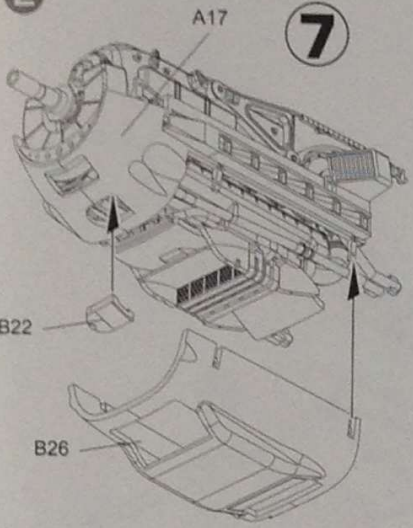


6

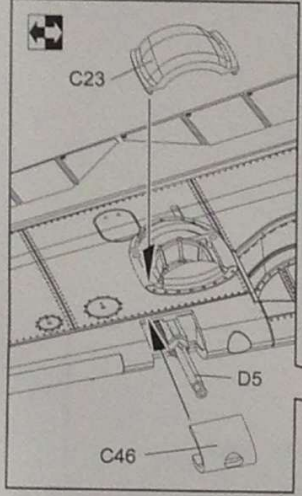
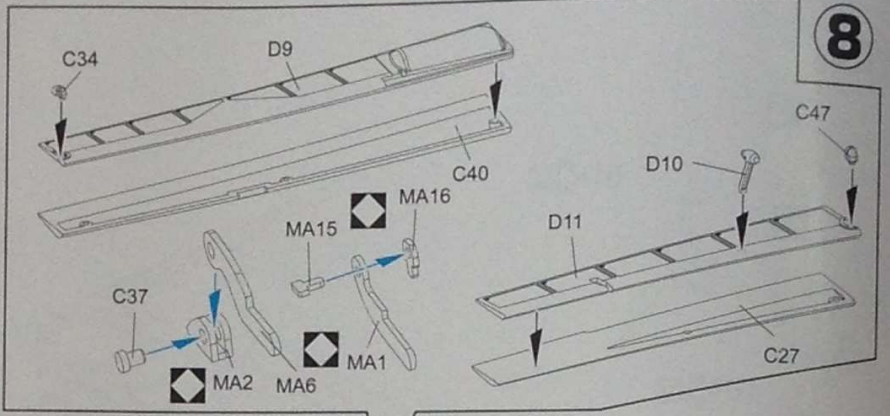


E

7

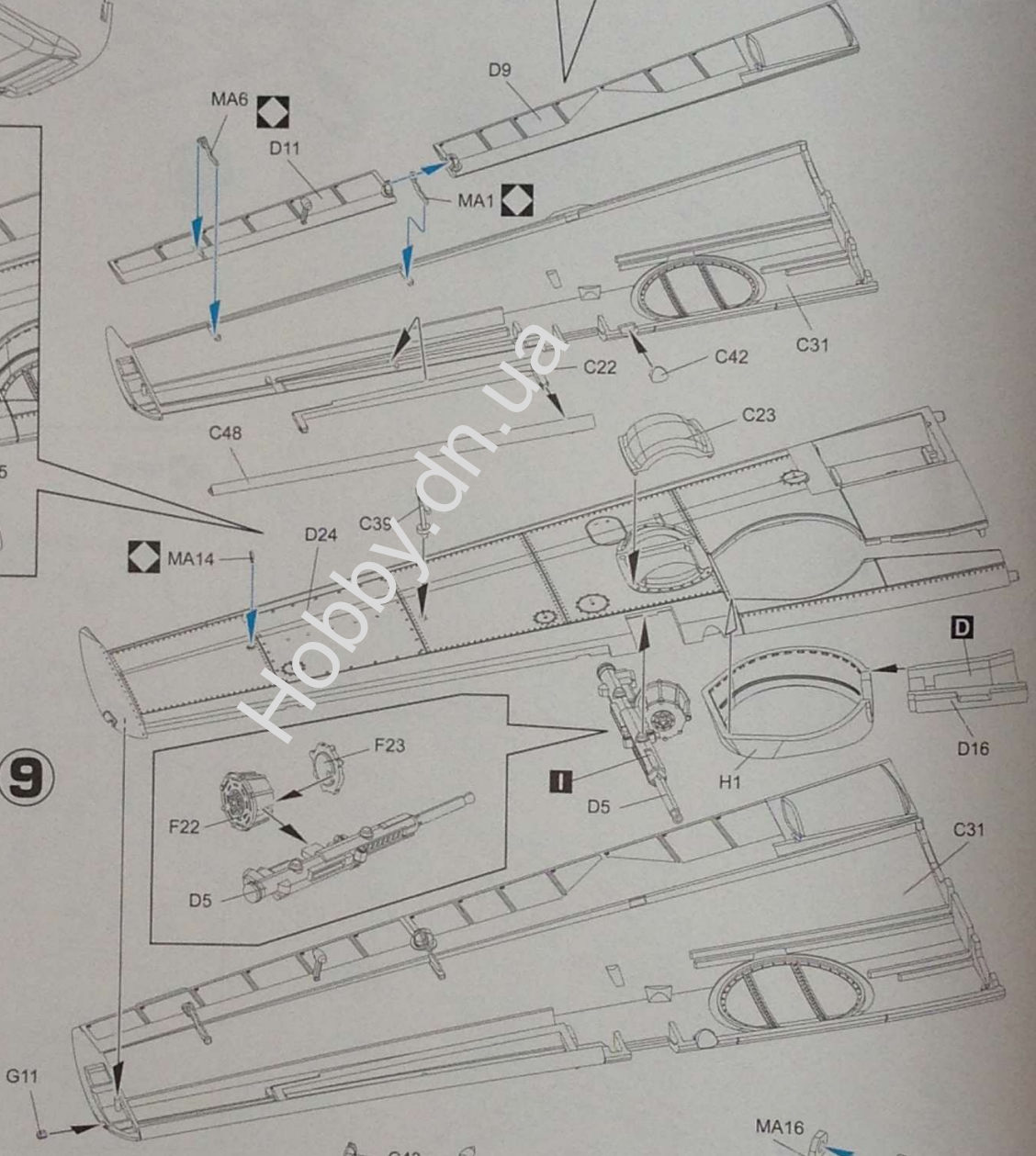


8

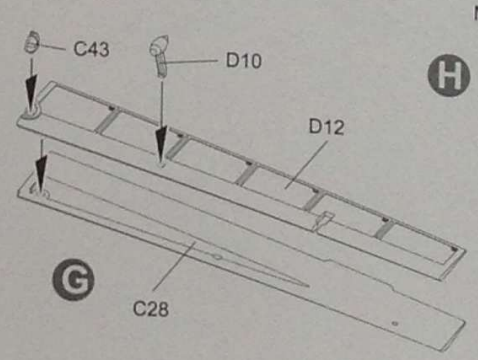
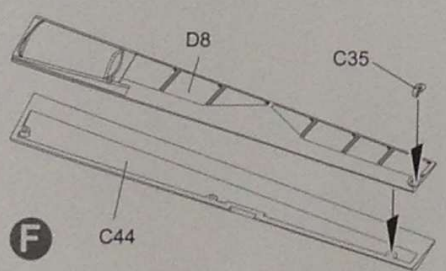


9

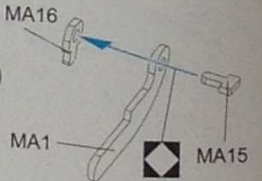
K



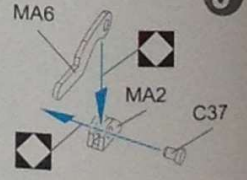
10



H

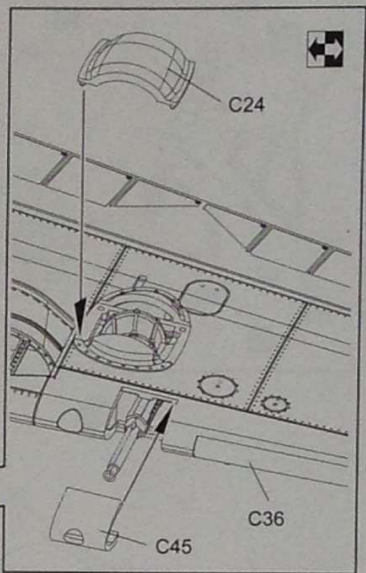
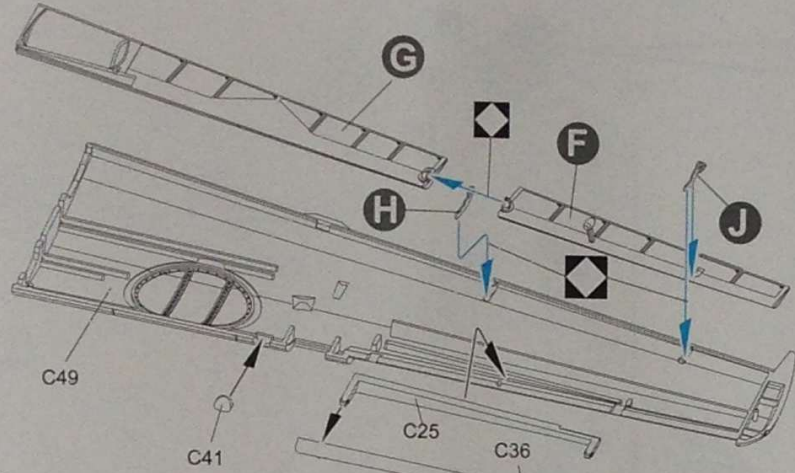


J

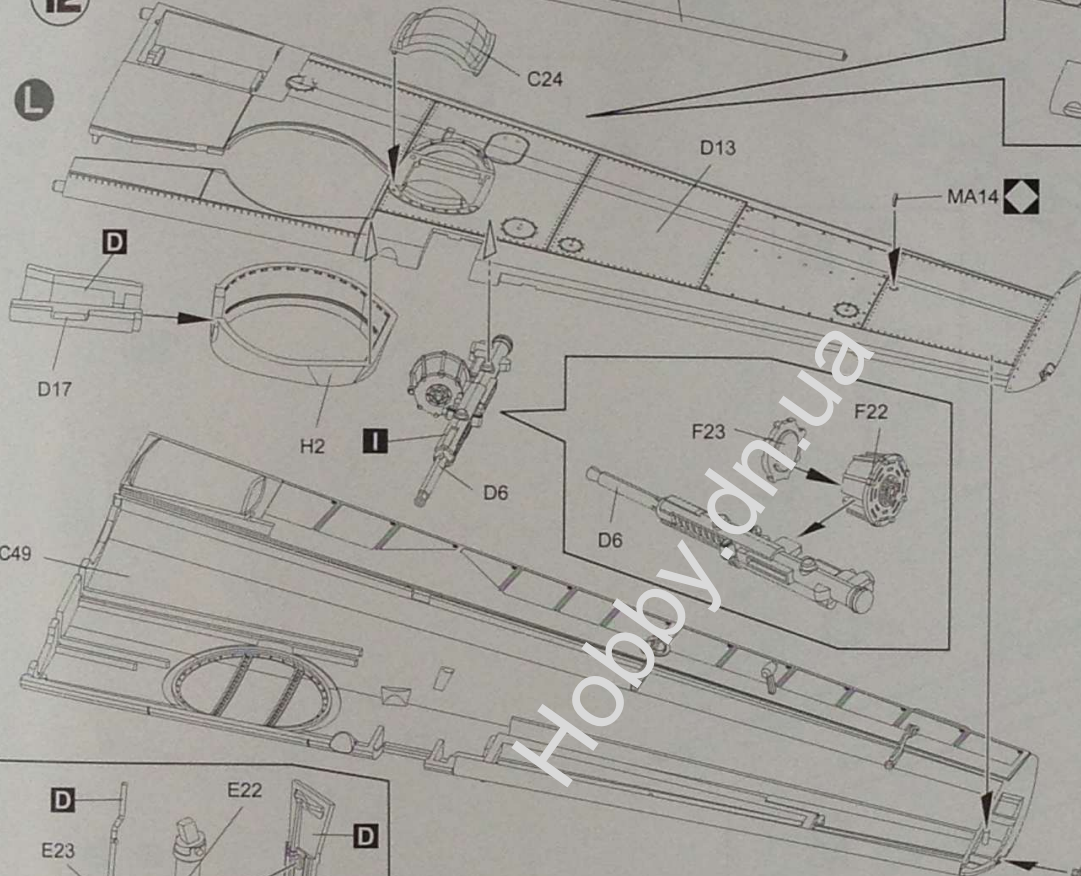


Hobby.dn.ua

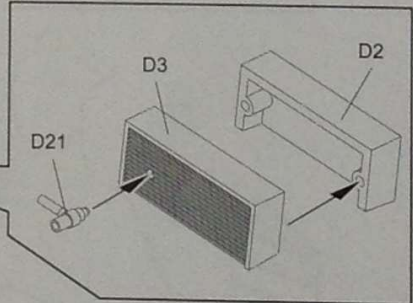
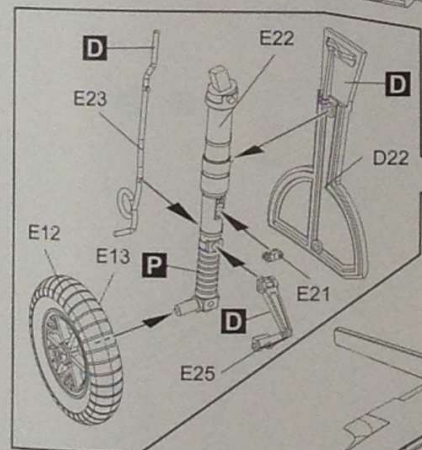
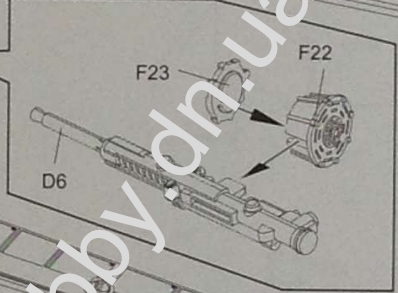
11



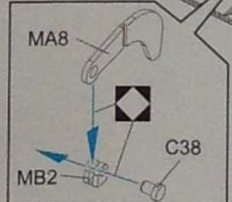
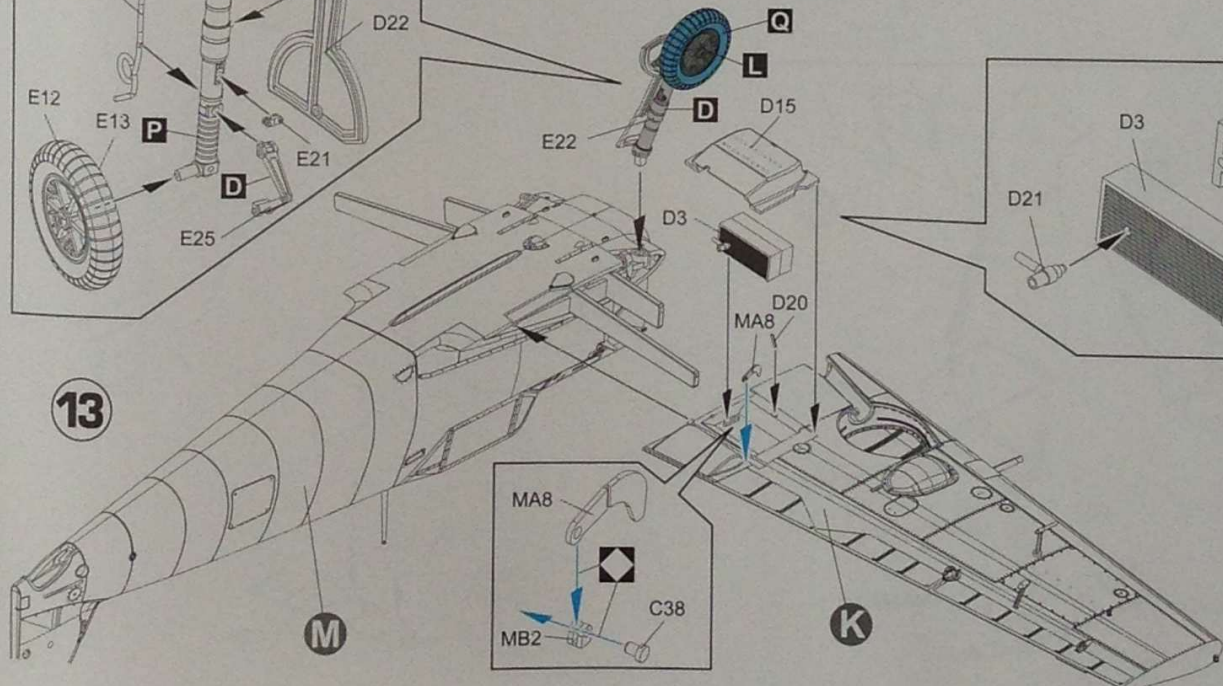
12

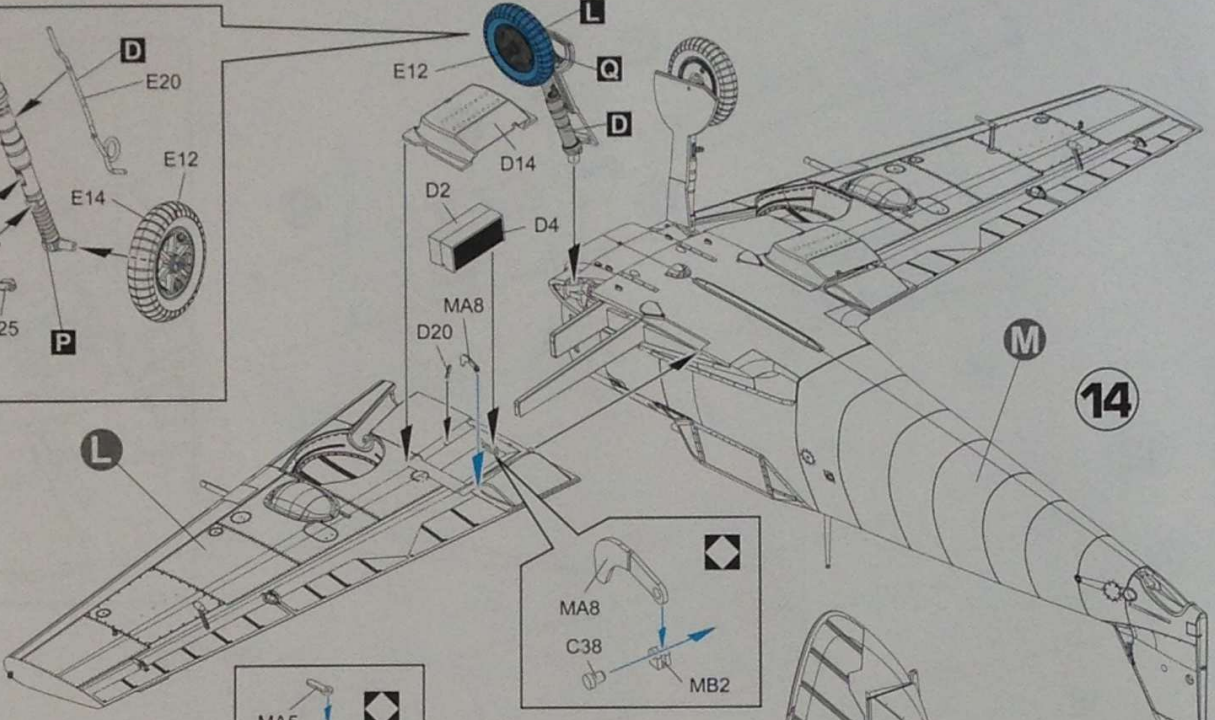
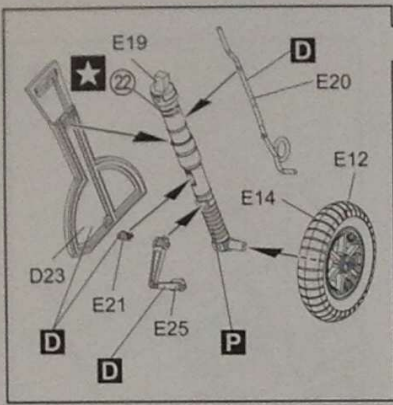


Hobby.dn.ua

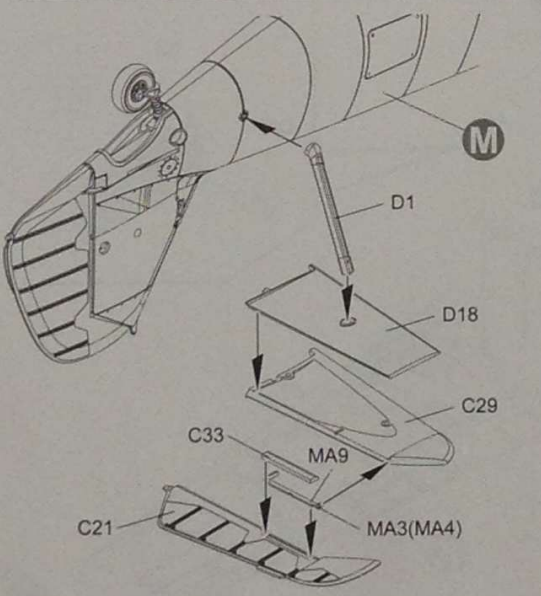
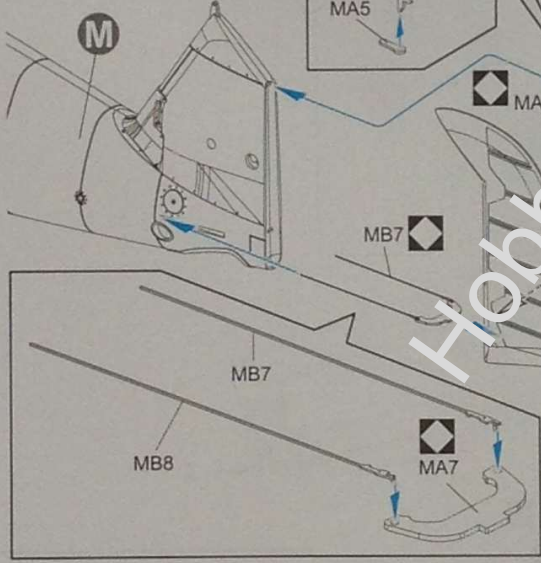


13

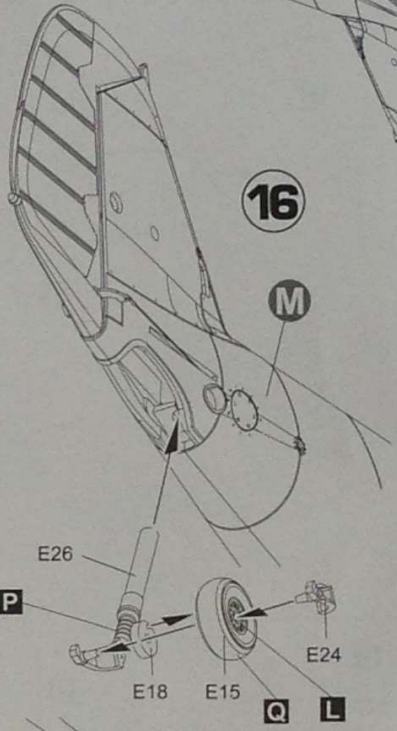




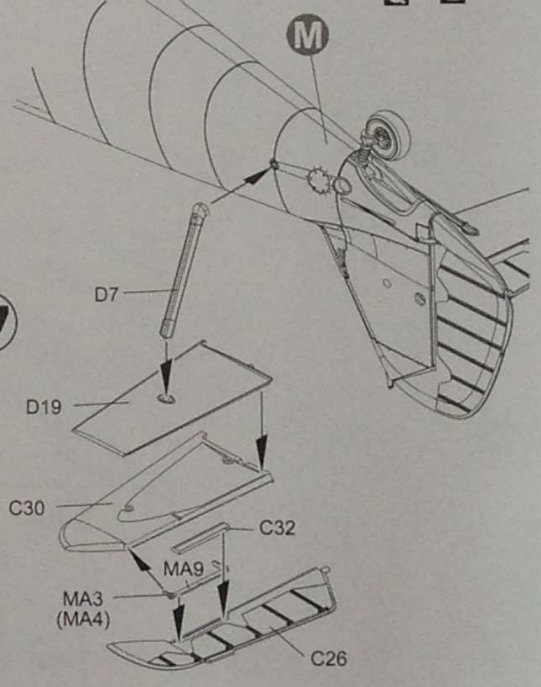
15



16

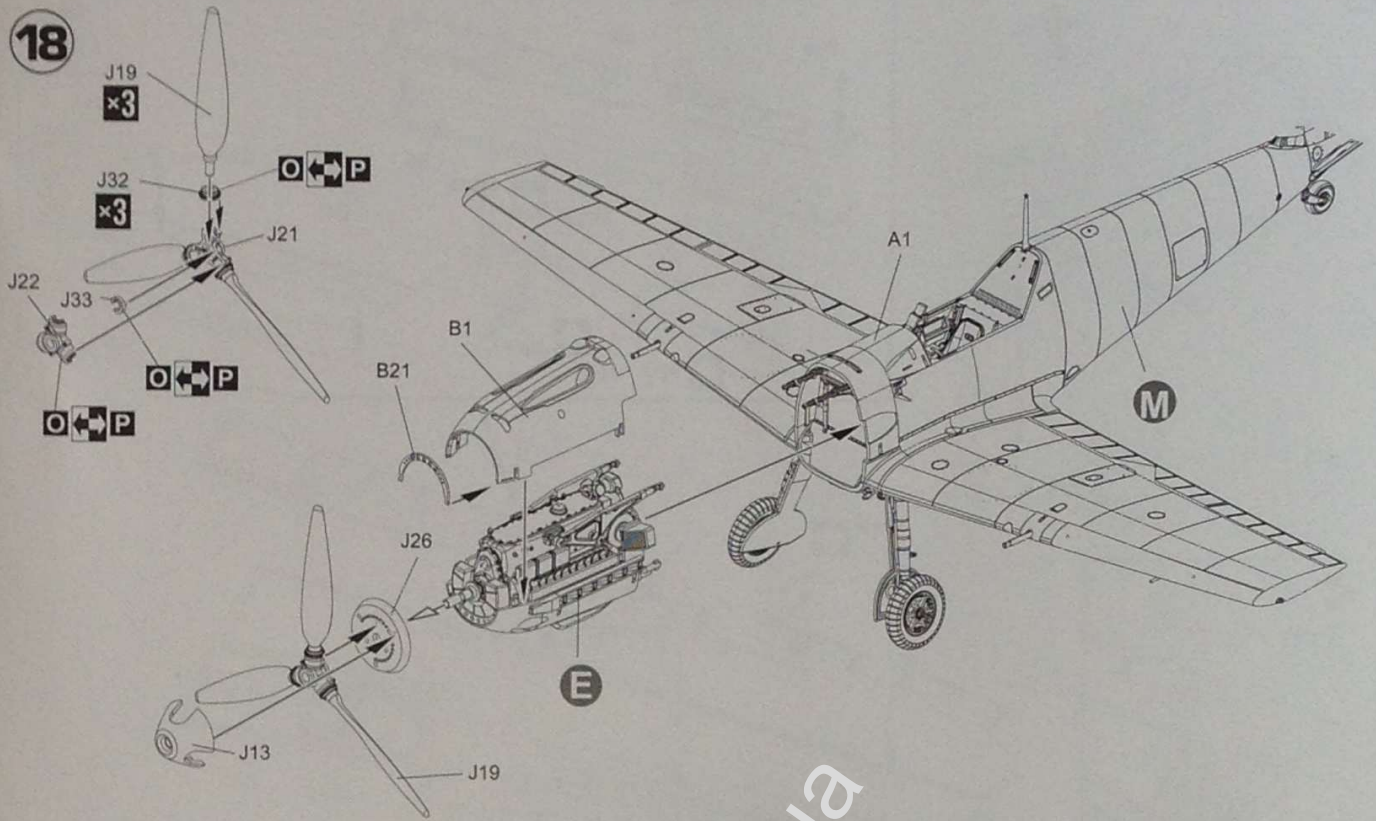


17

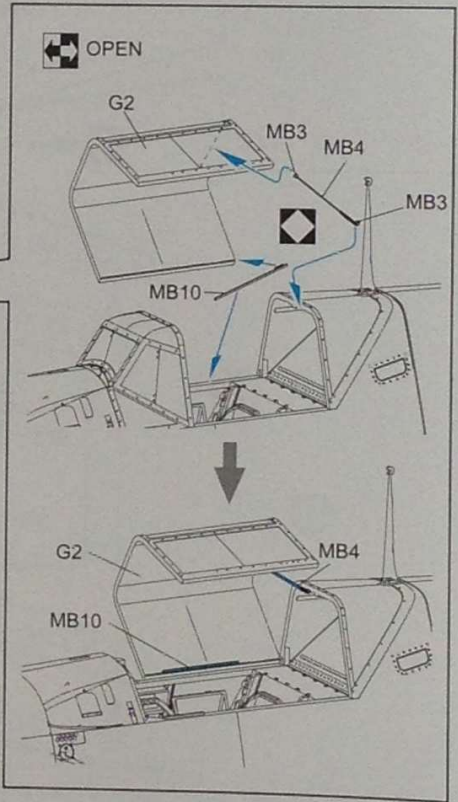
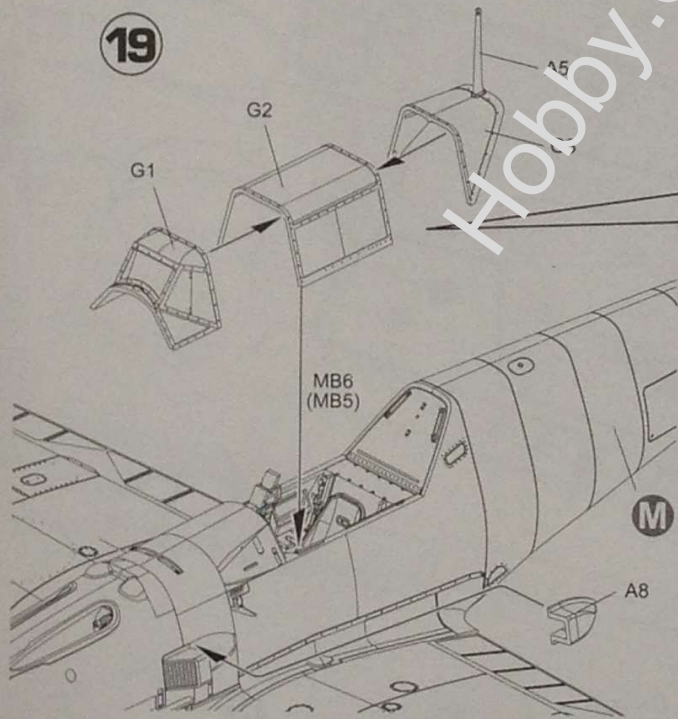


Hobby.dn.ua

18



19



Hobby.dn.ua

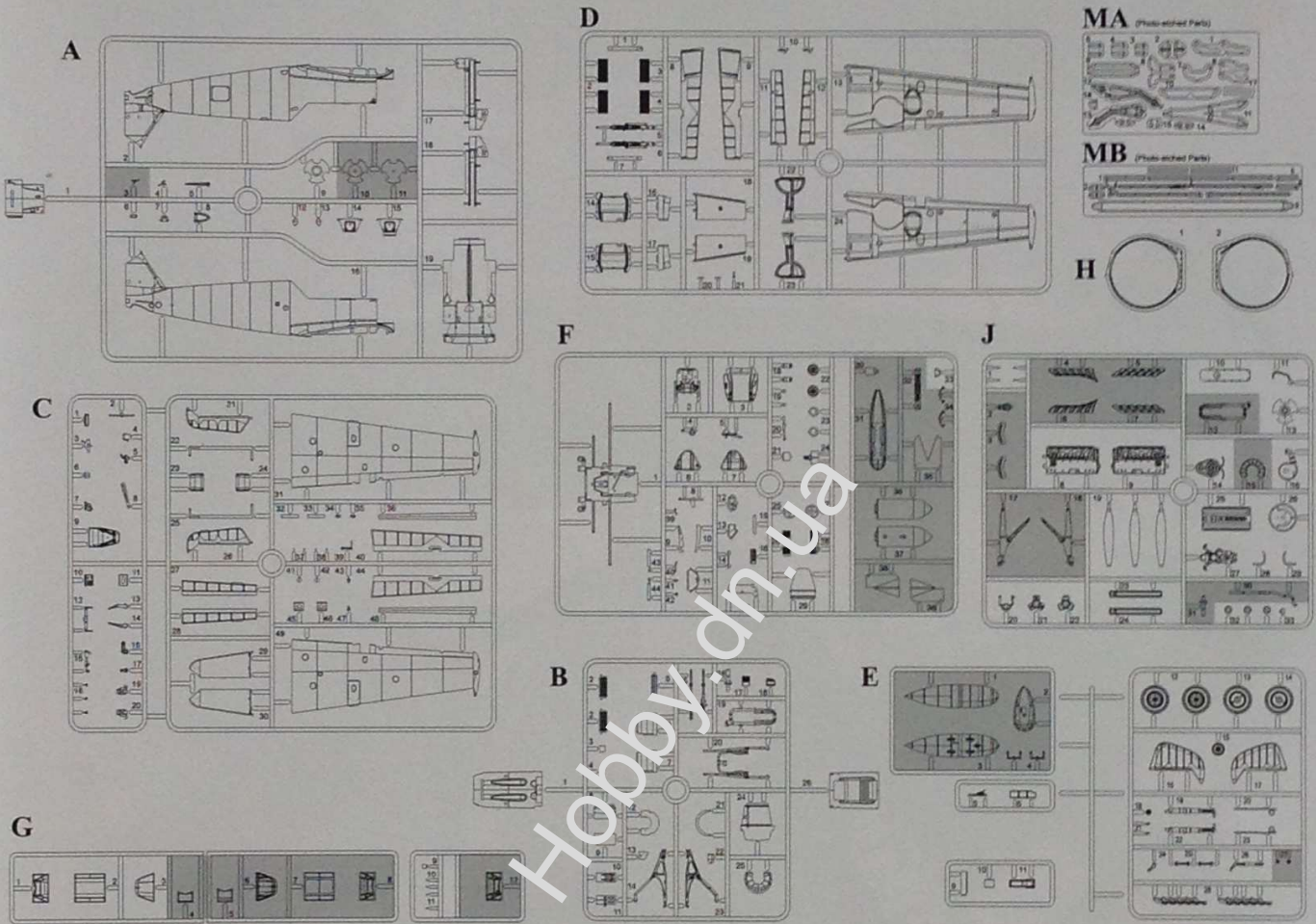


Messerschmitt Bf 109 E-3

Legion Condor

32009

PARTS LIST

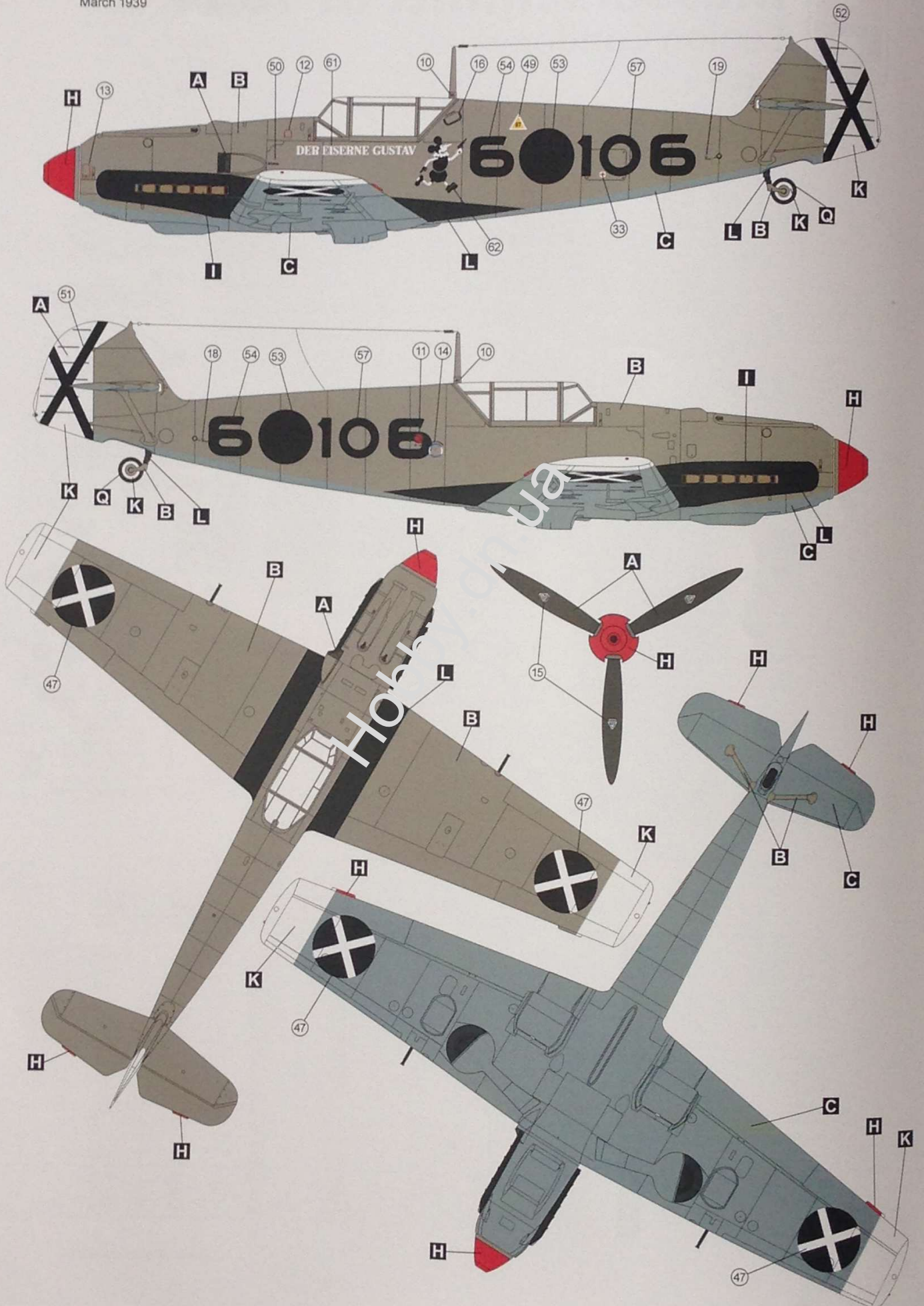


PARTS NOT FOR USE

Color Chart	AK Interactive	Alclad2	AMMO	HATAKA	Mr. COLOR	Revell	TAMIYA	
RLM 70 Black Green	A	RC274	E216	232	015	C18	140	XF-27
RLM 63 Grey	B	RC270			167			
RLM 65 Light Blue	C	RC271	E214	231	029	C115	149	XF-23 +XF-2
RLM 02 Gray	D	RC265	E202	217	023	C60	145	XF-22
RLM 66 Black Gray	E	RC339	E215	218	040	C116	109	XF-24
RLM 04 Flat Yellow	F	RC267	E649	048	066	C113	113	XF-3
Flat Green	G	RC012		054	221	C135	364	XF-5
RLM 23 Flat Red	H	RC005	E651	049	132	C79	330	XF-7
Burnt Metal	I	AK484	121	187	016	C61		XF-84
Flat Black	J	RC001	E102	046	100	C33	108	XF-1
Flat White	K	RC004	101	050	101	C62	105	XF-2
Gloss Black	L	AK471	305			C02	107	X-1
Clear Red	M	RC503	401	093		C47	731	X-27
Clear Blue	N	RC504	403	098		C50	752	X-23
Steel	O	AK476	112	191		C28	191	
Silver	P	RC020	112	195	003	C08	190	X-11
Tyre Black	Q	RC022	E310	033	040	C137	106	XF-85
Buff	R	RC013		122	184	45	189	XF-57
Leather Brown	S	AK11110	E302	133	186	C44	184	XF-10

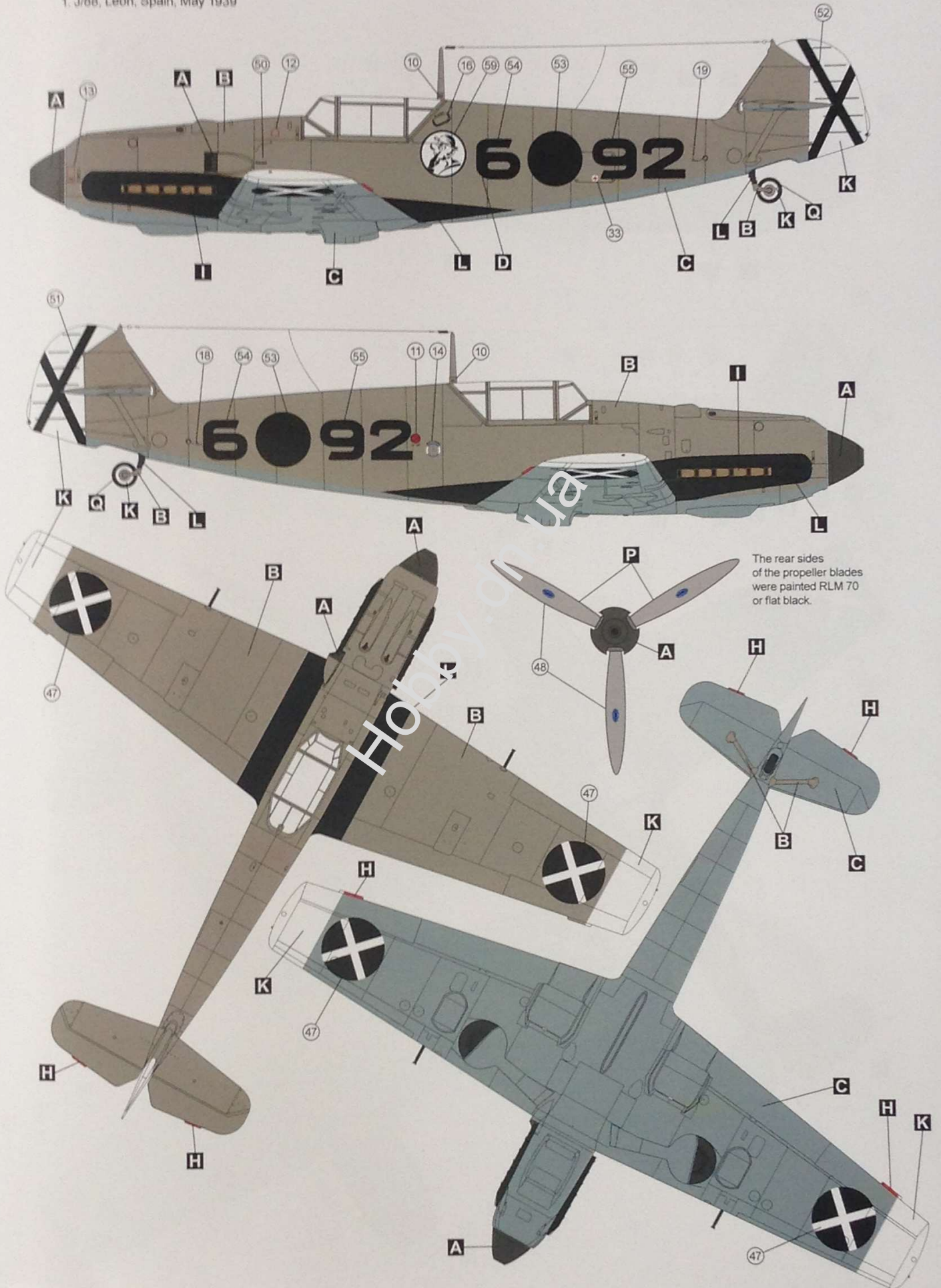


Bf 109 E-3, 6-106, 3. J/88,
Barcience Torrijos, Spain,
March 1939



2

BF 109 E-3, WNr. 715, 6-92,
flown by Lt. Gustav Rödel,
1. J/88, León, Spain, May 1939



The rear sides
of the propeller blades
were painted RLM 70
or flat black.

3

Bf 109 E-3, 6-111,
flown by Lt. Werner Ursinus, 2. J/88,
La Cenia, Spain, early 1939

