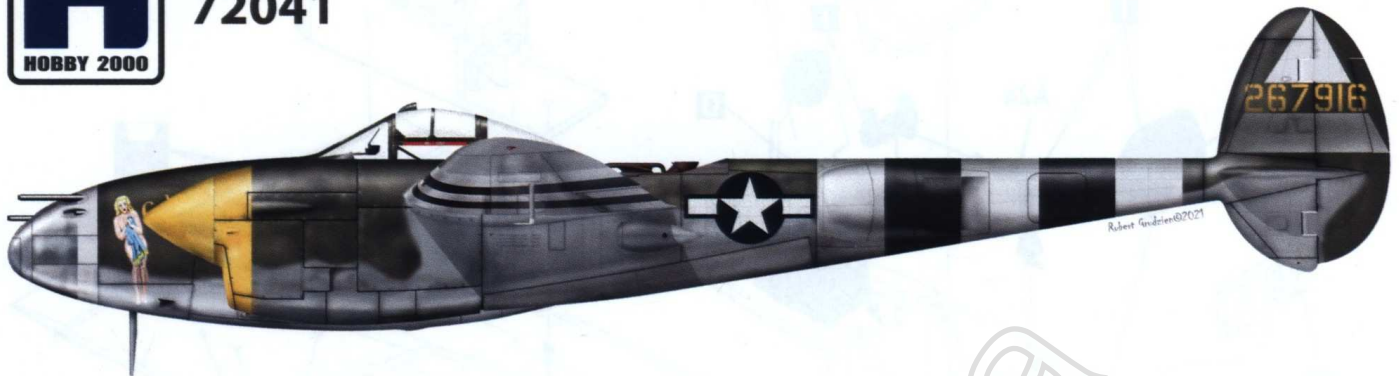


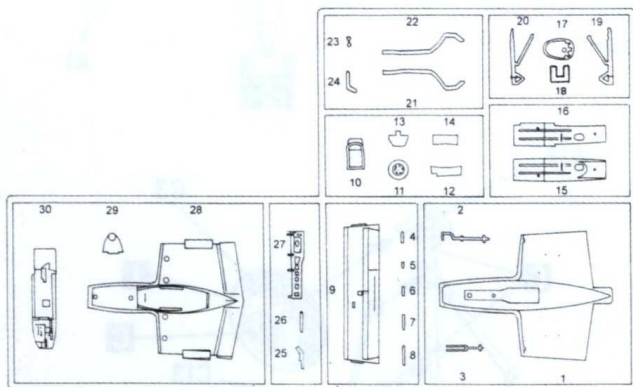


P-38J Lightning ETO 1944

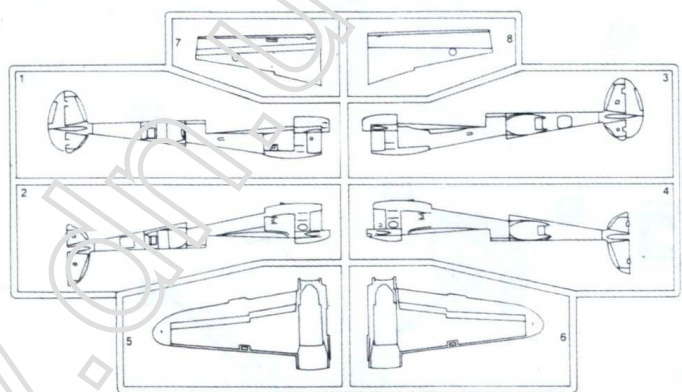
72041



A



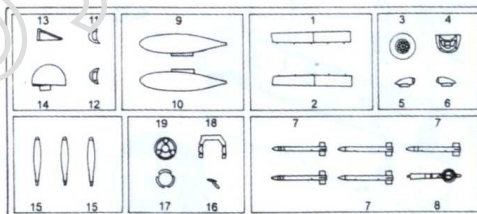
B



D



C



OPEN HOLE
FORO APERTO
OFFNEN
HACER AQUJERO
WYKONAĆ OTWÓR
FAIRE UN TROU
VYVRTAT OTVOR



DECAL
DECALCOMANIE
ABZIEHBILD
CALCOMANIA
KALKOMANIA
DECALCOMANIE
OBTISK



REMOVE
RETIRER
ENTFERNEN
CORTAR
WYCIĄĆ
SEPARARE
ODSTRANIT



OPTION
FACULTATIF
NACH BELIEBEN
HACER AQUJERO
DO WYBORU
FACULTATIVO
VOLBA



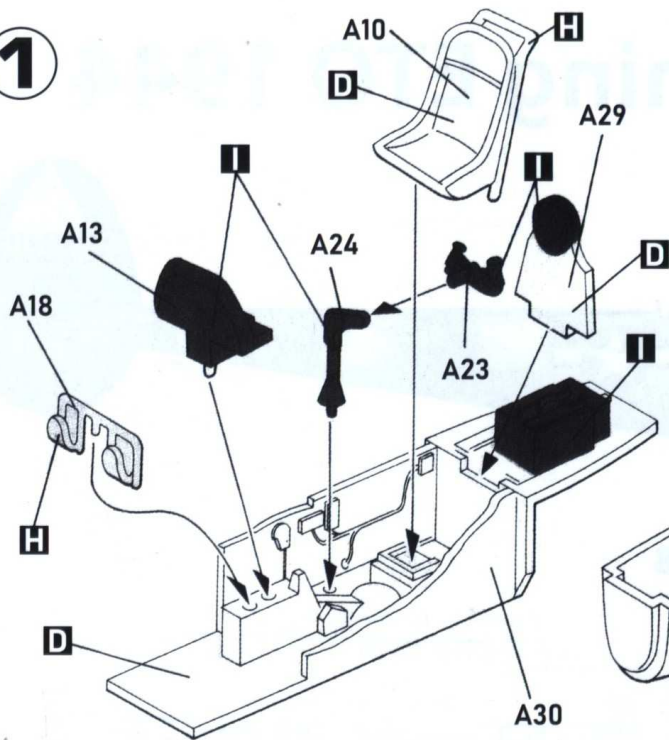
FILL HOLE
FORO PIENO
SCHLIESSEN
EMPUJE EL AQUJERO
ZAMKNAĆ OTWÓR
BOUCHER LE TROU
ZAKRYTE OTVOR



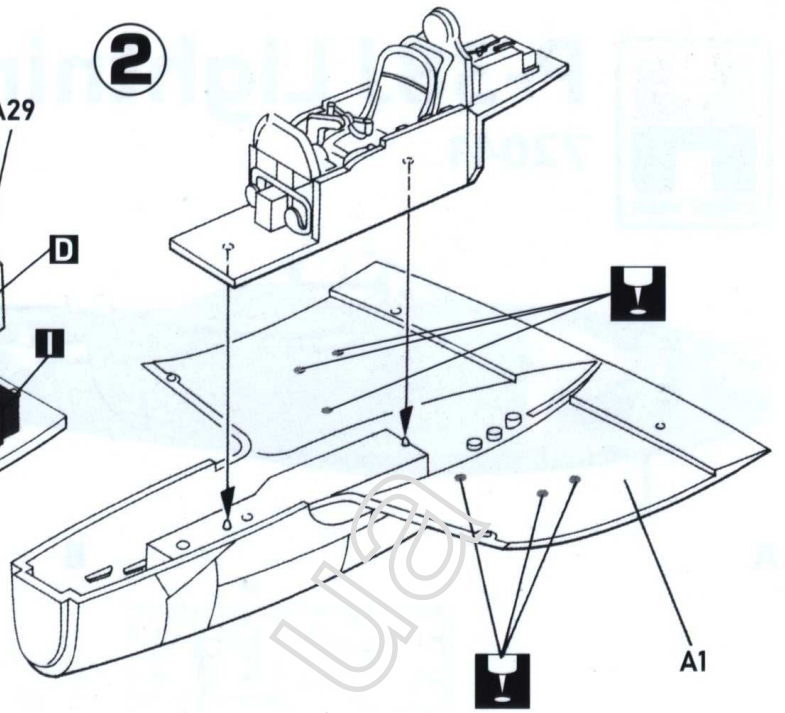
DO NOT CEMENT
NE PAS COLLER
NICHT KLEBEN
NO PEGAR
NIE SKLEJAĆ
NON INCOLLARE
NELEPIT

Color Chart	AK Interactive	Alclad2	AMMO	HATAKA	Mr. COLOR	Revell	TAMIYA	
Olive Drab 41	A	RC259	E617	926	018	304	61	XF-62
Aluminium	B	RC020	119	194	078	MC-218	99	XF-16
Neutral Grey 43	C	RC261	E660	239	033	013	43	XF-53
Yellow Green	D	RC262	E309	220	211	027		XF-4
Yellow	E	RC007	E658	032	104	004	15	X-8
ANA 503 Light Green	F	RC012		124	221	066	64	
Blue	G	RC011	E640	123	220	314	56	XF-8
Steel	H	AK-476	112	191		028	91	X-11
Flat Black	I	RC001	E102	046	100	033	08	XF-1
Flat White	J	RC004	101	050	101	062	05	XF-2
Leather	K	AK-11110	302	133	186	044	37	XF-10
Clear Red	L	RC503	401	093	CC02	047	731	X-27
Clear Blue	M	RC504	403	098	CC01	050	752	X-23
Clear Yellow	N	RC507	402	097		048	730	X-24
Burnt Metal	O	AK-485	121	187	016	061		XF-84

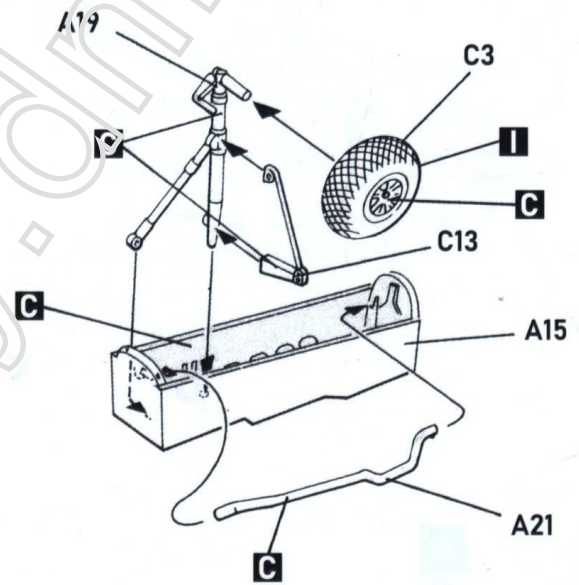
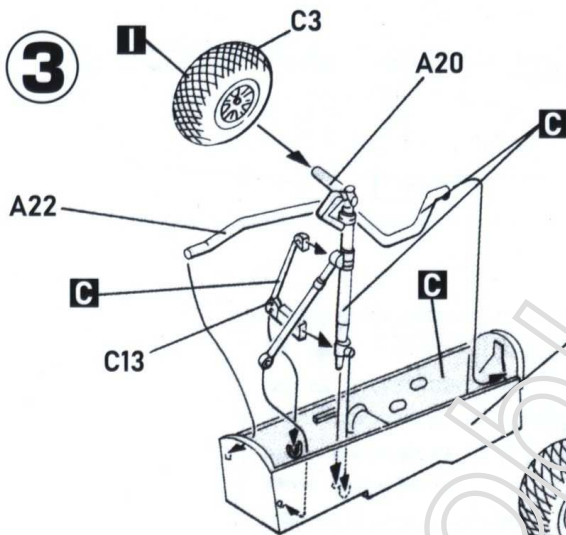
1



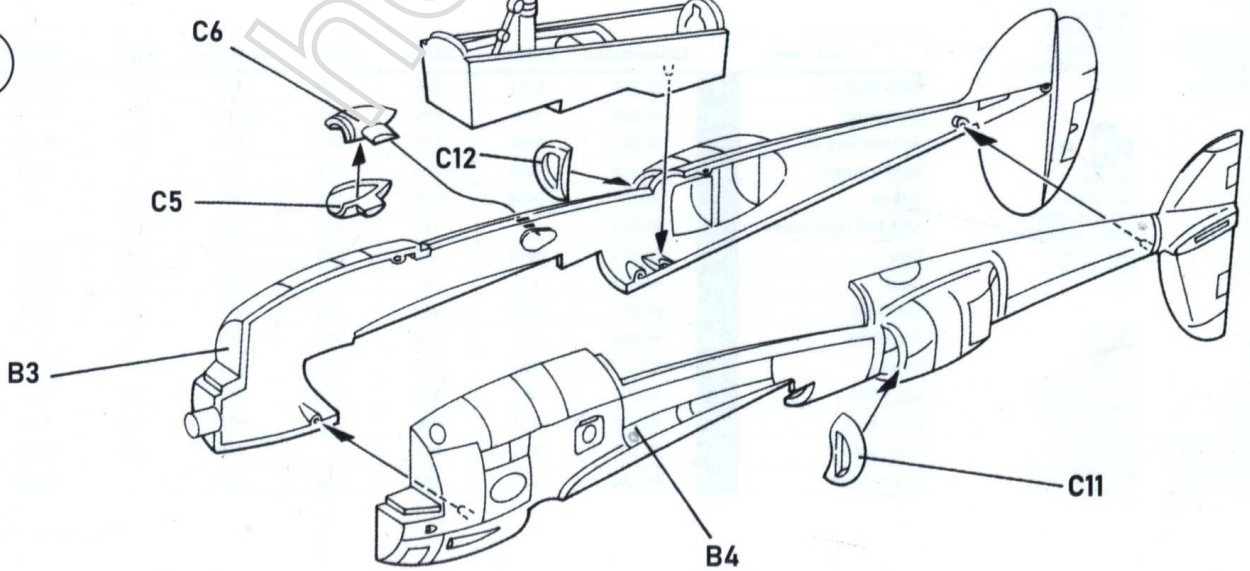
2



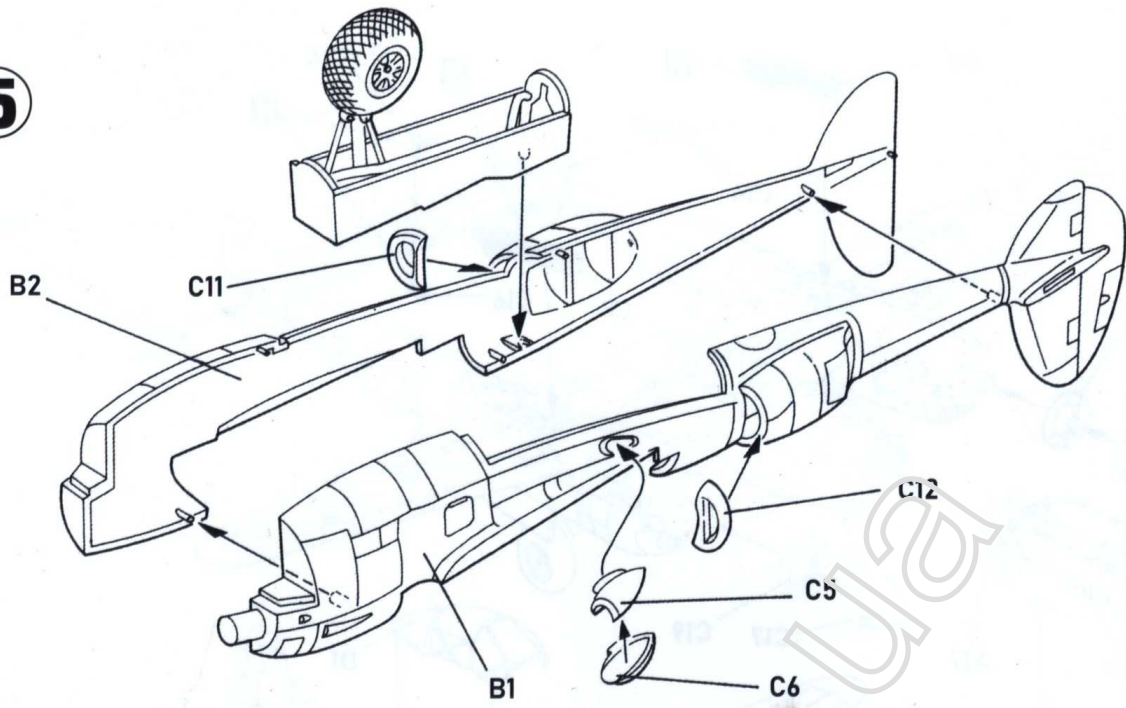
3



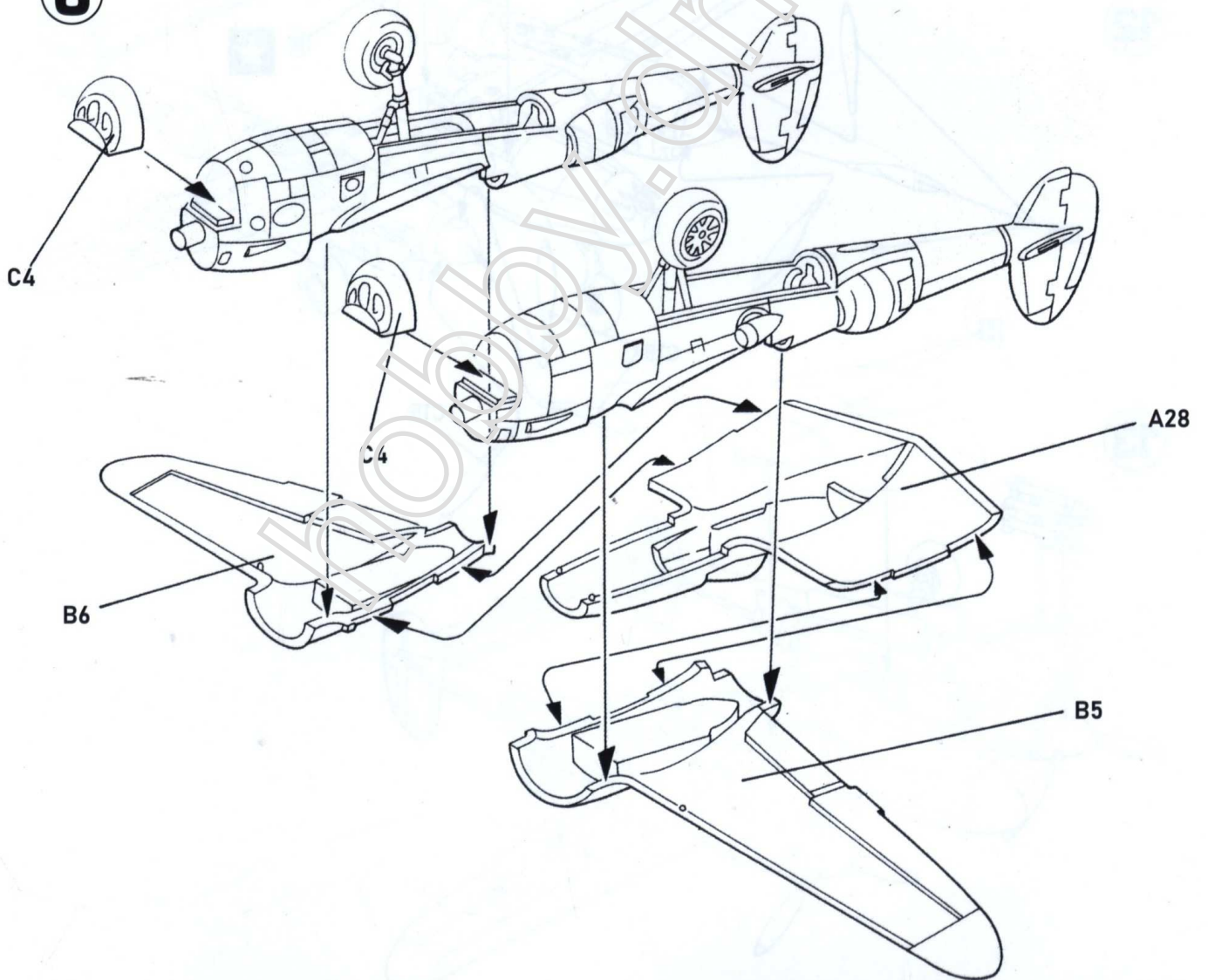
4



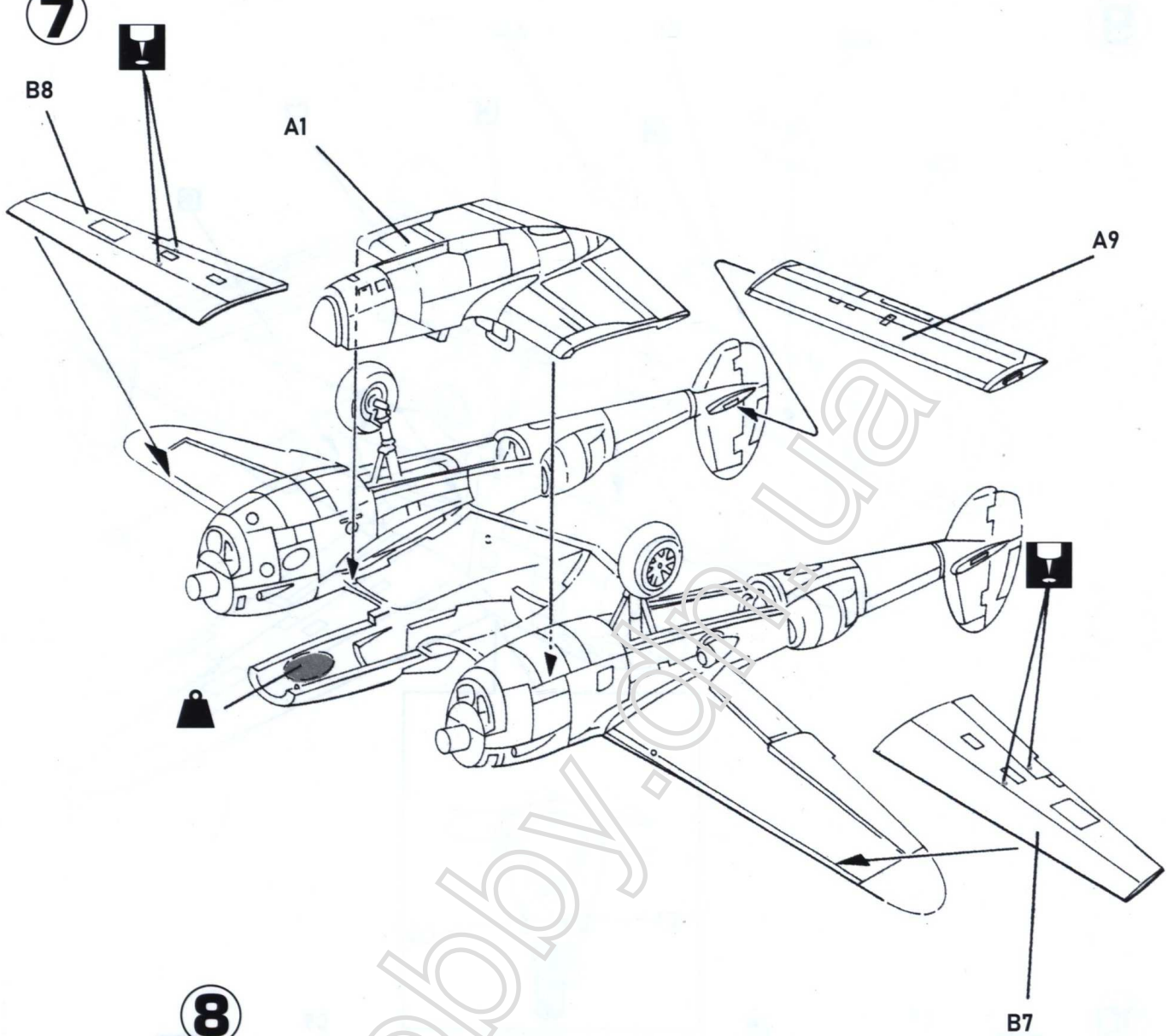
5



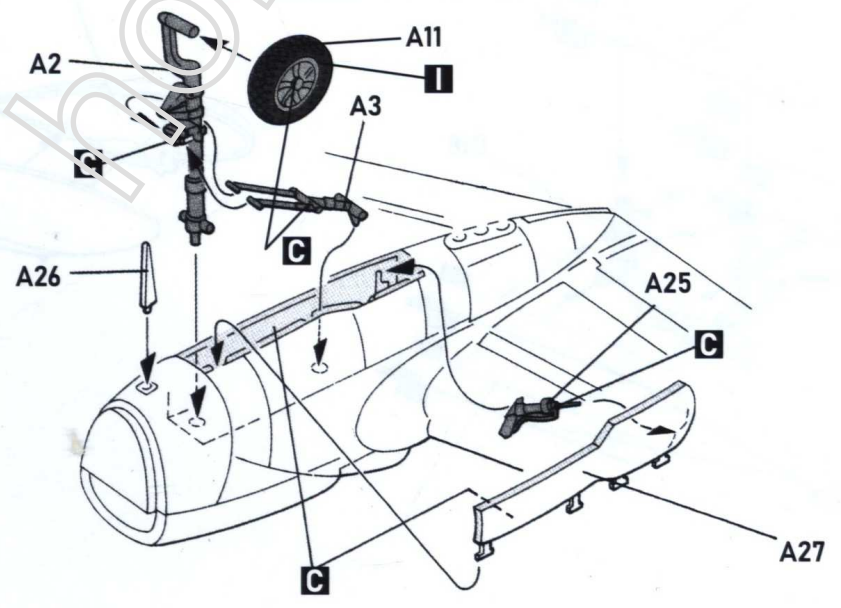
6



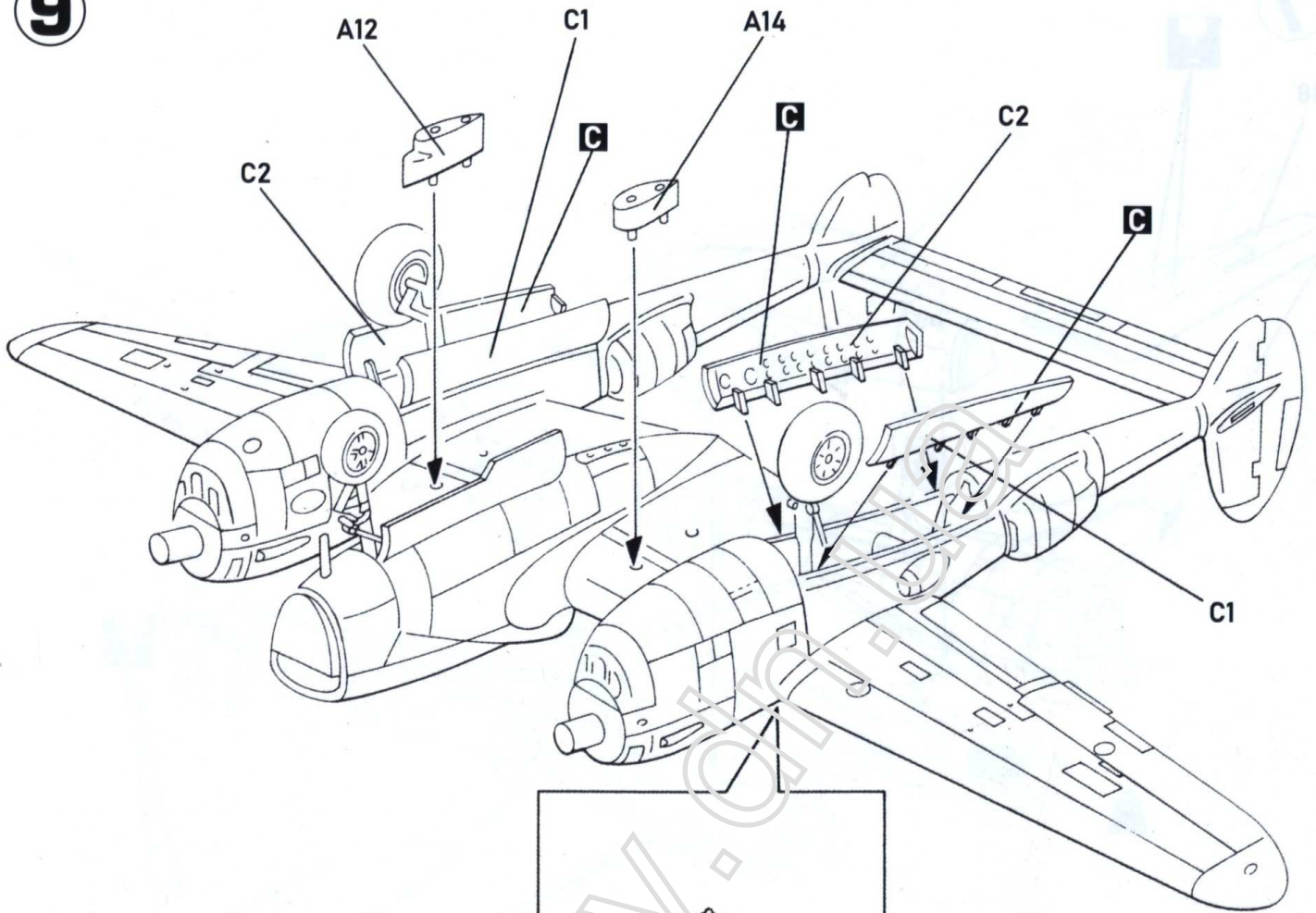
7



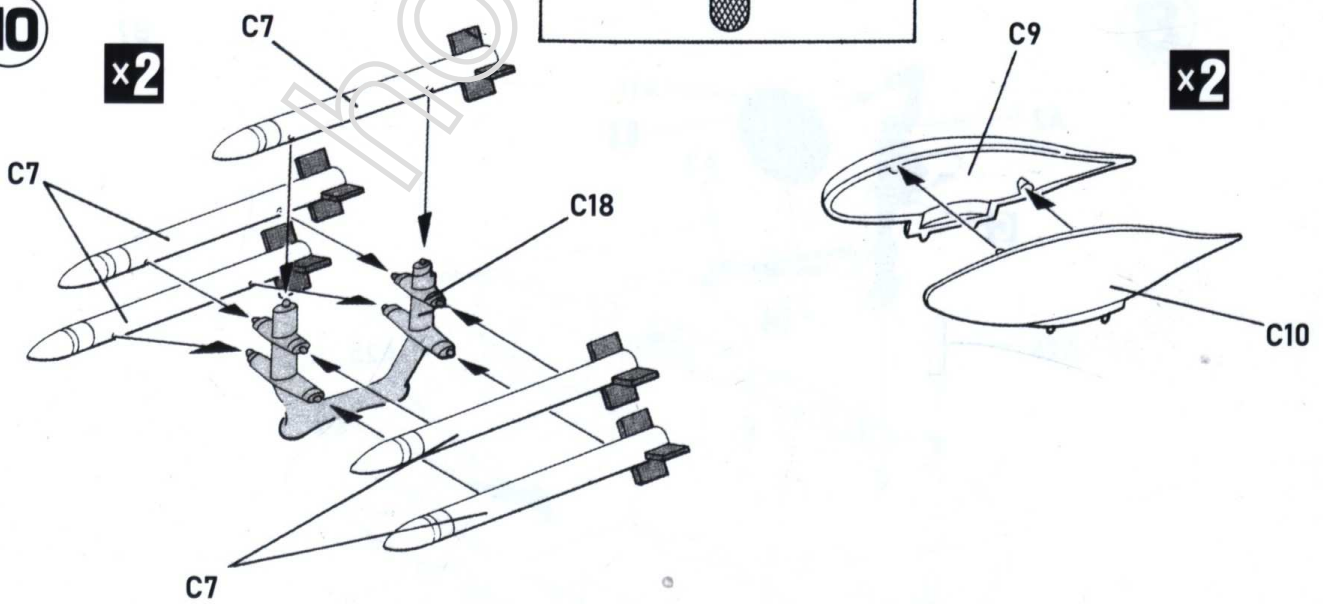
8



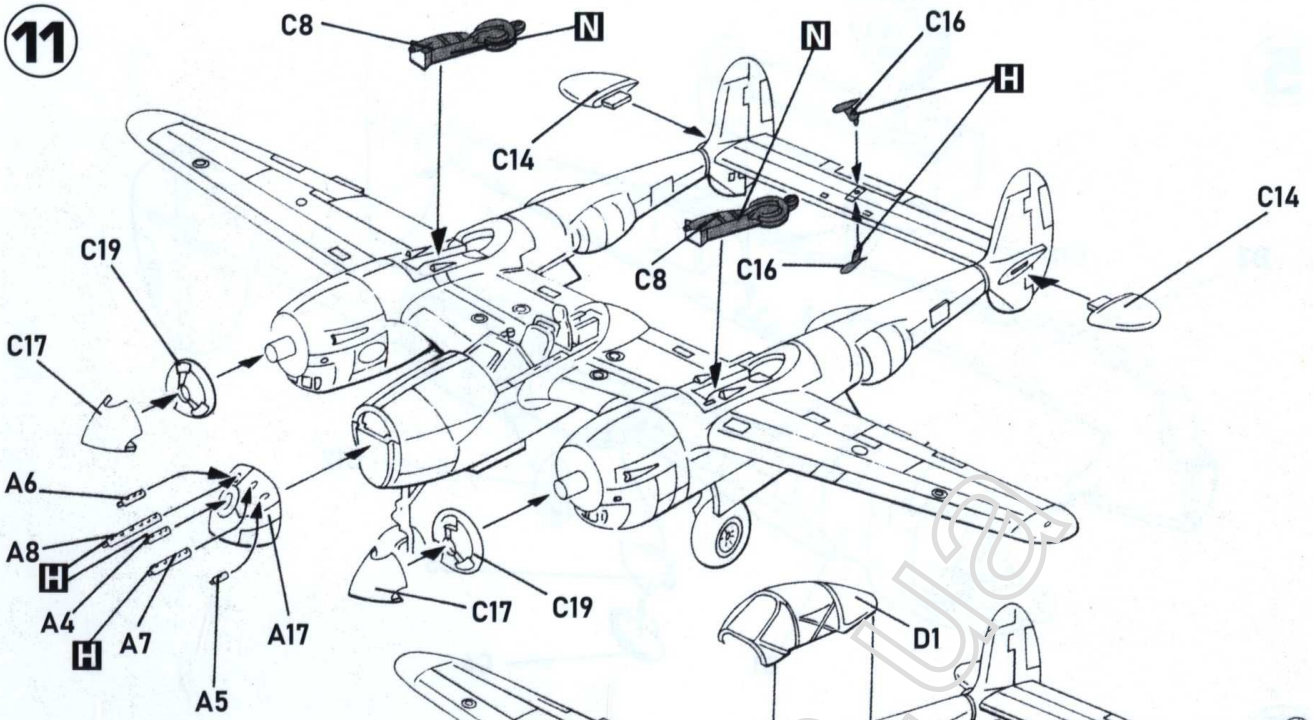
9



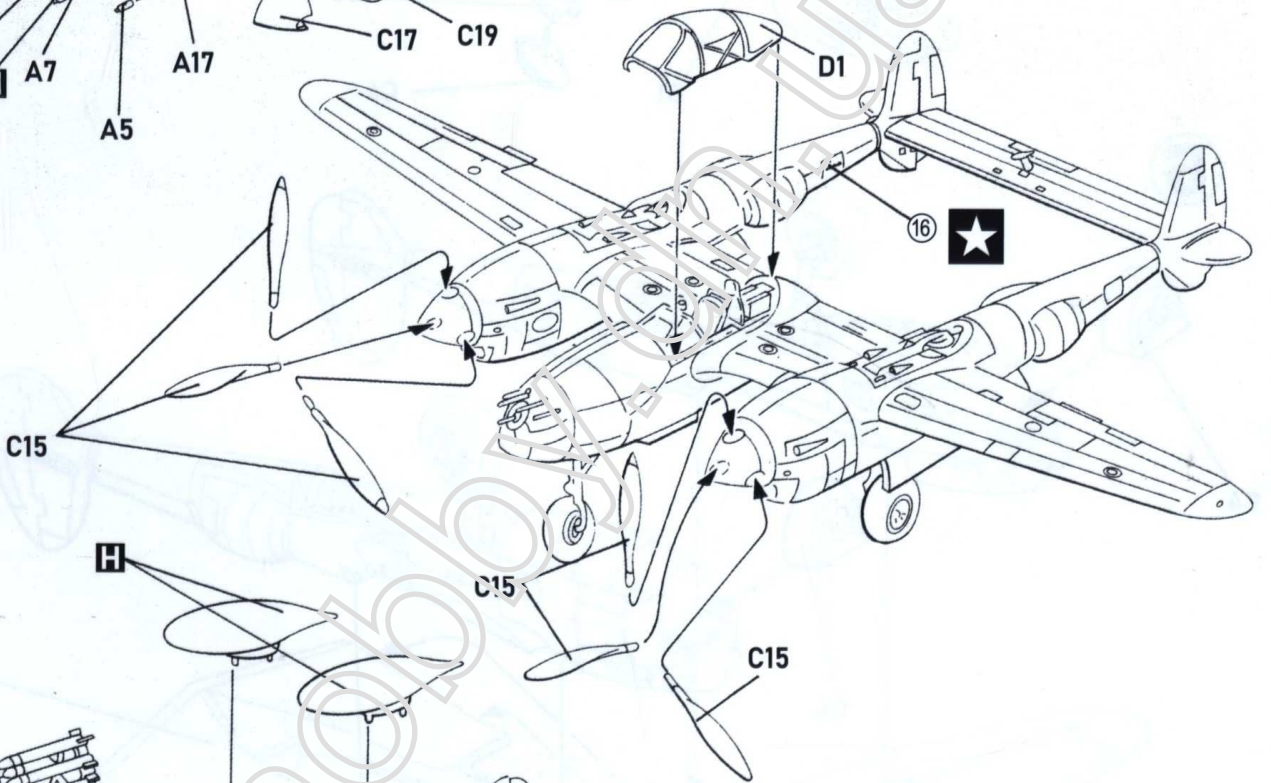
10



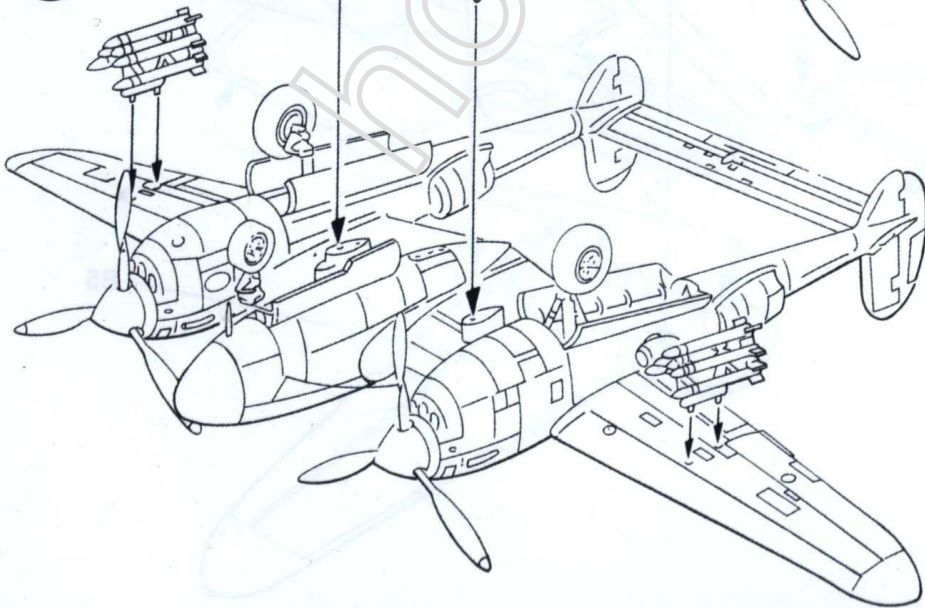
11



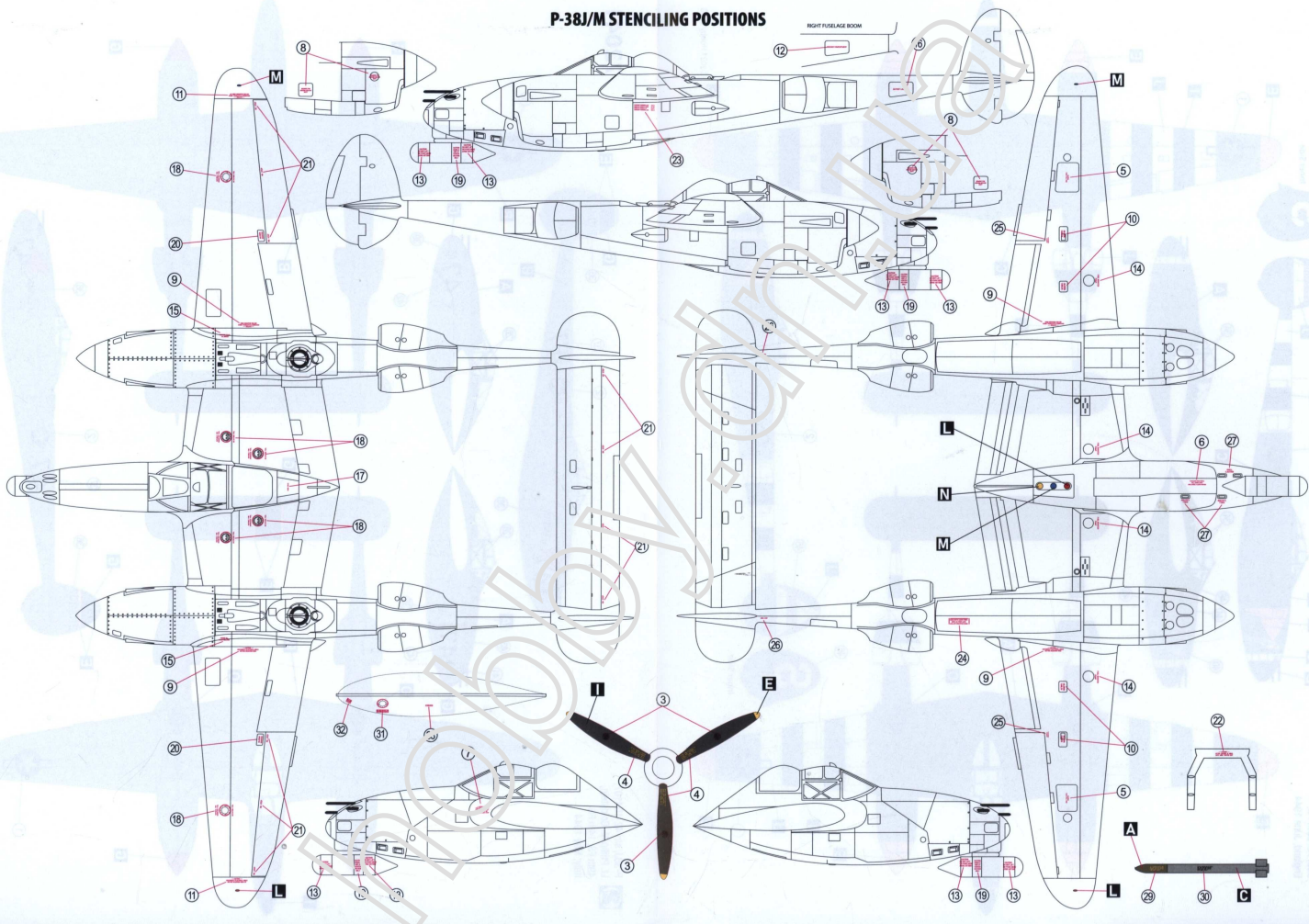
12



13



P-38J/M STENCILING POSITIONS



Copyright © 2000
All Rights Reserved
The Modeler's Workshop

72041

I P-38J, s/n 42-67916,
Lt. Richard O. Loehnert,
55th FS, 20th FG,
England, June 1944



2

P-38J, s/n 42-104107,
Lt. Philip M. Goldstein,
49th FS, 14th FG,
Italy, May 1944

72041

