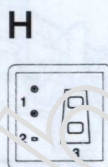
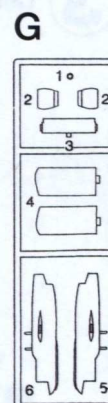
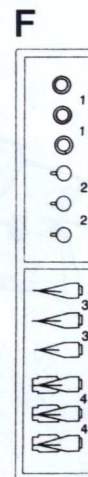
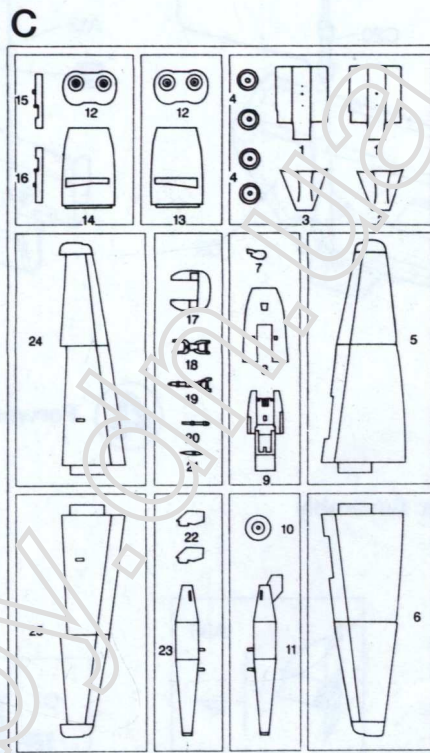
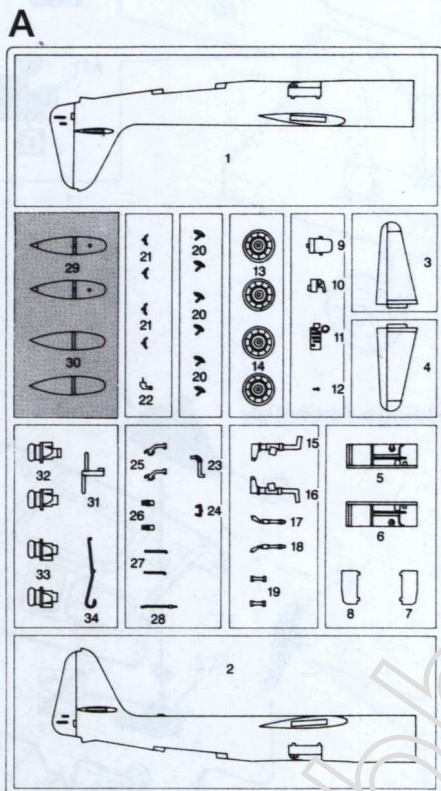




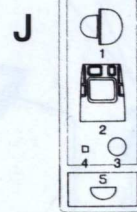
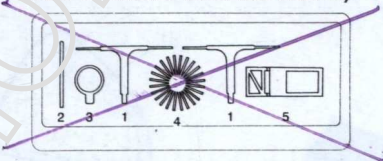
# Arado Ar 234 C-3 w/ Bombentorpedo

## Initial Production

### 72050



MA (PHOTO-ETCHED PARTS)



OPEN HOLE  
FORO APERTO  
OFFNEN  
HACER AQUJERO  
WYKONAĆ OTWÓR  
FAIRE UN TROU  
VYVRTAT OTVOR



DECAL  
DECALCOMANIE  
ABZIEHBILD  
CALCOMANIA  
KALKOMANIA  
DECALCOMANIE  
OBTISK



REMOVE  
RETIRER  
ENTFERNEN  
CORTAR  
WYCIĄĆ  
SEPARARE  
ODSTRANIT



OPTION  
FACULTATIF  
NACH BELIEBEN  
HACER AQUJERO  
DO WYBORU  
FACOLTATIVO  
VOLBA



FILL HOLE  
FORO PIENO  
SCHLIESSEN  
EMPUJE EL AQUJERO  
ZAMKNAĆ OTWÓR  
BOUCHER LE TROU  
ZAKRYJTE OTVOR

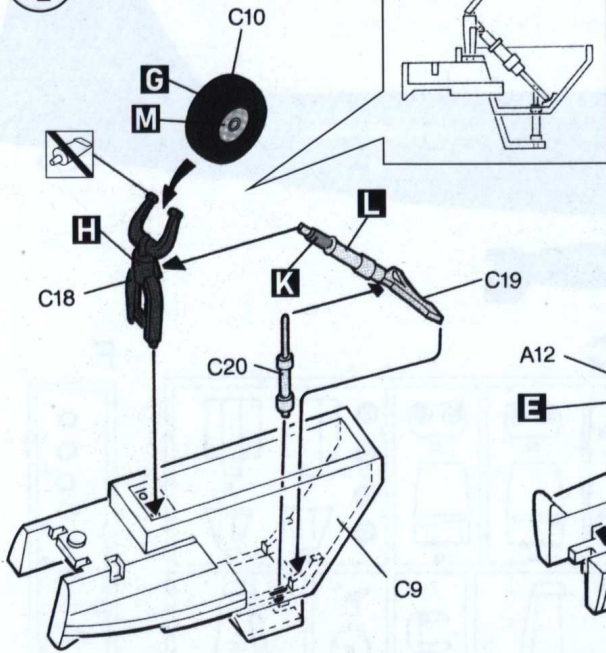


DO NOT CEMENT  
NE PAS COLLER  
NICHT KLEBEN  
NO PEGAR  
NIE SKLEJAC  
NON INCOLLARE  
NELEPIT

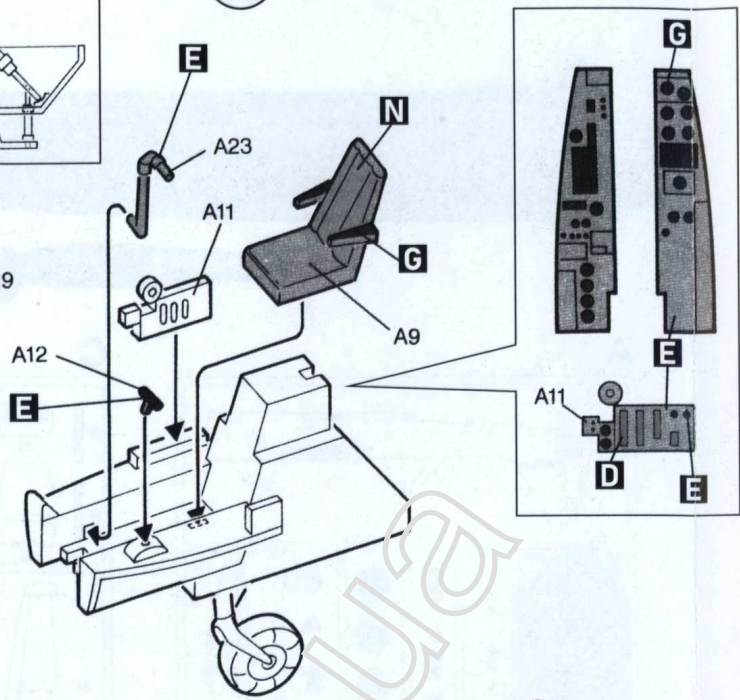
Color Chart		AK Interactive	Alclad2	AMMO	HATAKA	Mr. COLOR	TAMIYA
RLM 81 Brown	A	RC325		255	008	121	XF-51
RLM 82 Green	B	RC326		230	020	122	
RLM 76 Light Blue	C	RC321	E222	063	038	117	
RLM 76 Light Blue '45	D	RC322					
RLM 66 Black Gray	E	RC339	121	218	040	116	XF-24
Flat White	F	RC004	101	047	101	62	XF-2
Flat Black	G	RC001	102	046	100	33	XF-1
RLM 02 Gray	H	RC266	E202	217	023	60	XF-20
Gun Metal	I	RC015	120	045	106	214	X-10
RLM 04 Flat Yellow	J	RC267	E102	048	066	113	XF-3
Silver	K	AK-478	401	195	003	8	X-11
Steel	L	AK-476	112	191		28	X-11
Gloss Black	M	AK-471	305	032		2	X-1
Olive Drab	N	RC259	E617	927	018	12	XF-62
Clear Blue	O	RC504	403	098	CC01	50	X-23
Clear Red	P	RC503	401	093	CC02	47	X-27
Flat Blue	Q	RC291	E626	086	255	110	XF-50
Buff	R	RC013		122	184	45	XF-57
Burnt Metal	S	RC015	194	187	132		XF-84
RAL 7027 Grau	T	RC058		009	306		XF-92



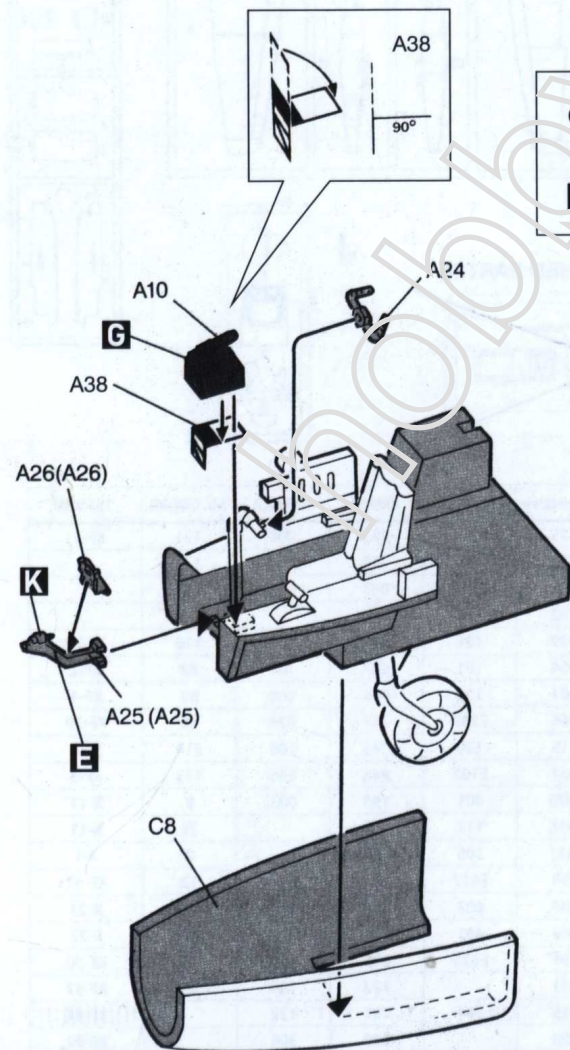
# 1 Nose Gear Assembly



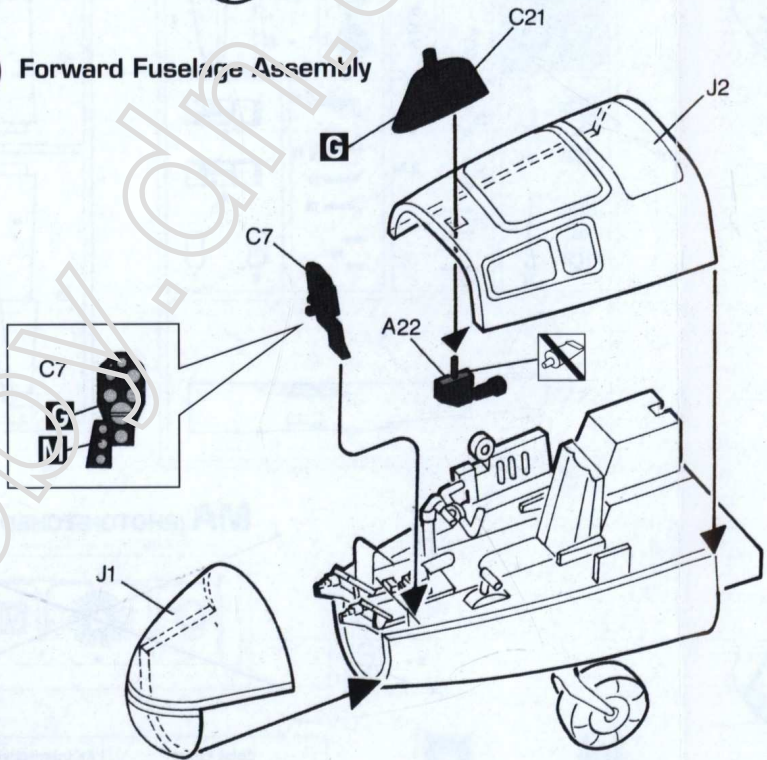
# 2 Pilot's Seat Assembly



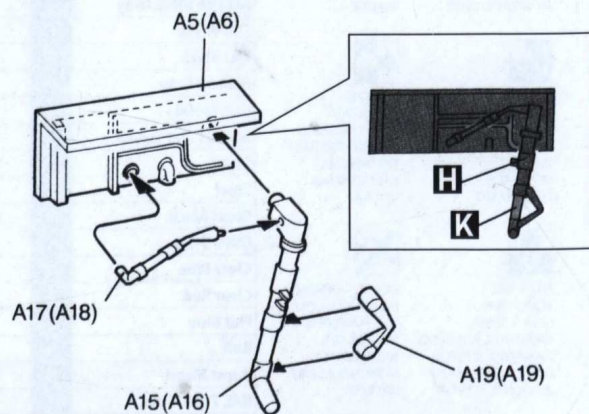
# 3 Cockpit Assembly



# 4 Forward Fuselage Assembly

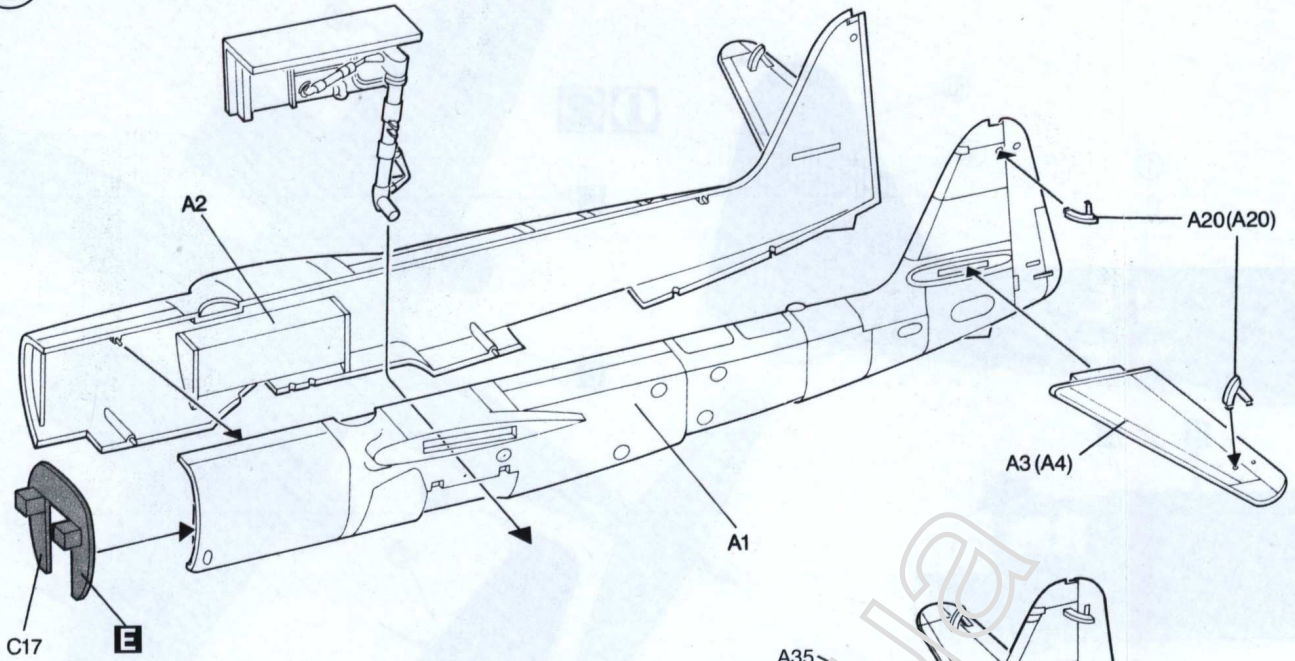


# 5 Main Gear Assembly

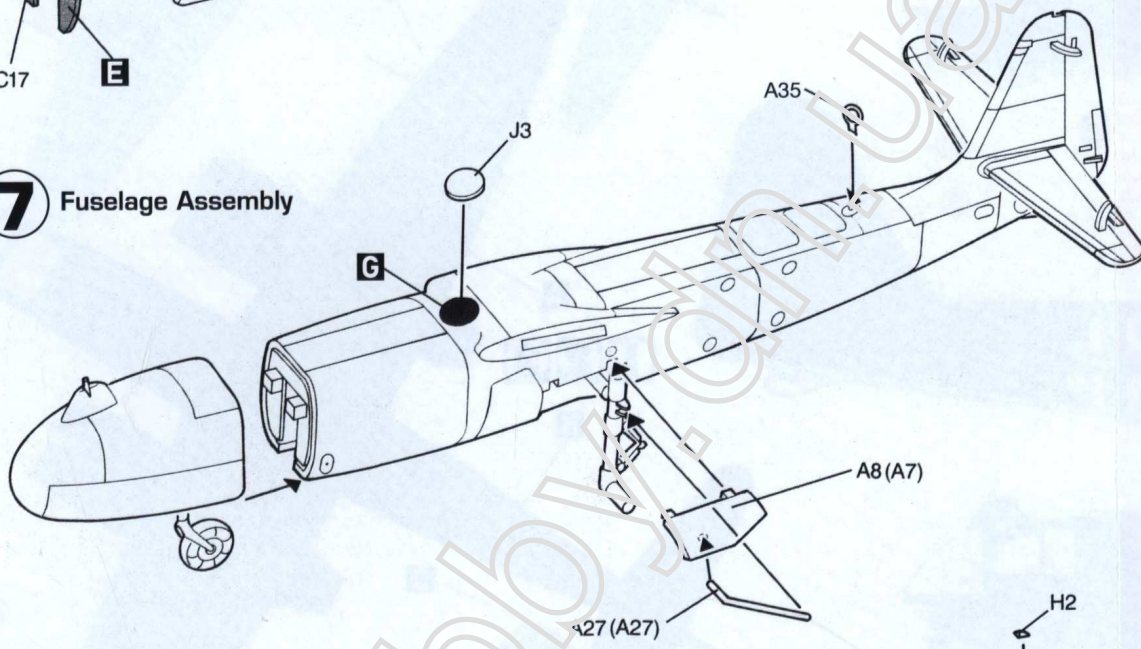




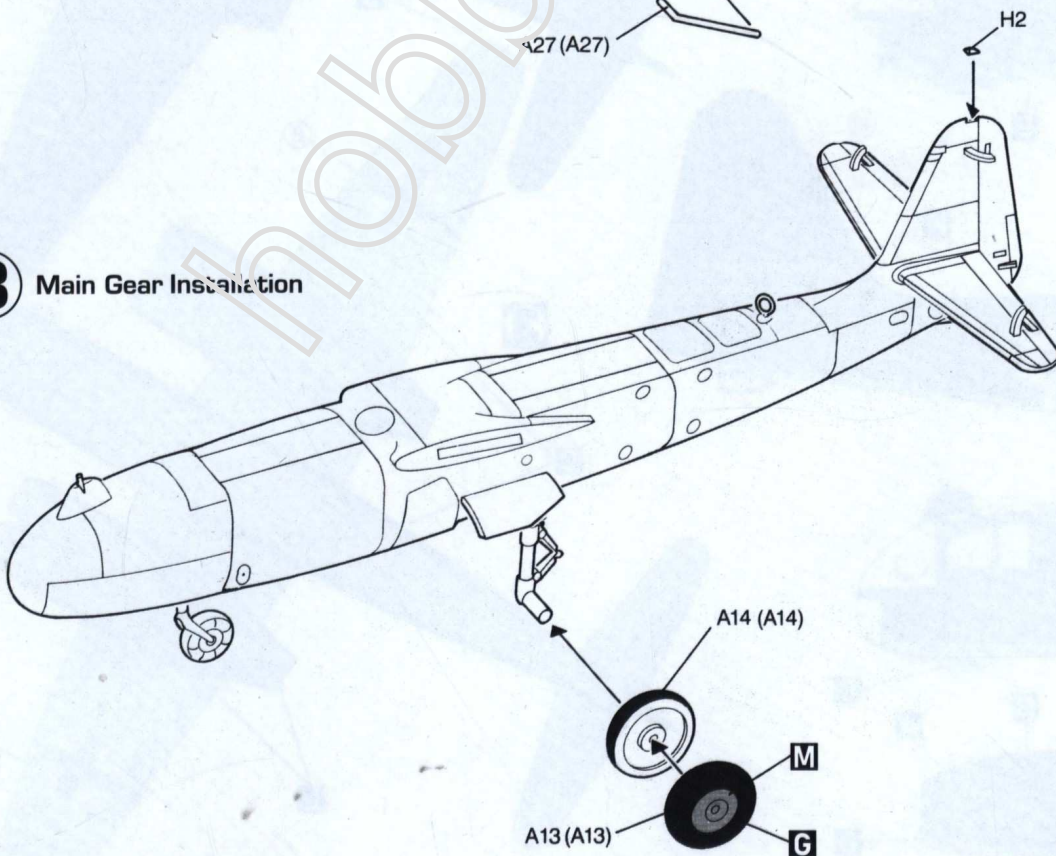
## 6 Rear Fuselage Assembly



## 7 Fuselage Assembly

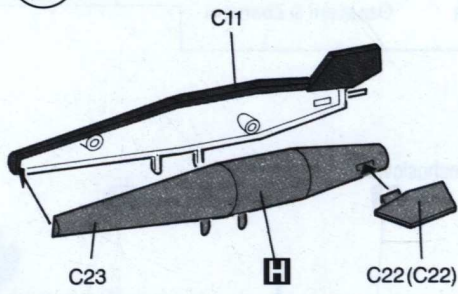


## 8 Main Gear Installation

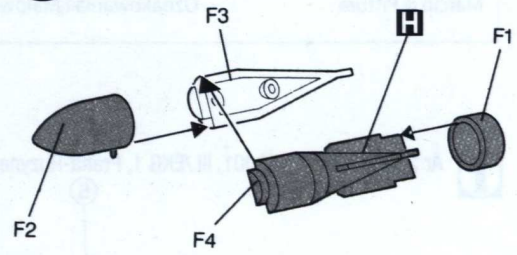




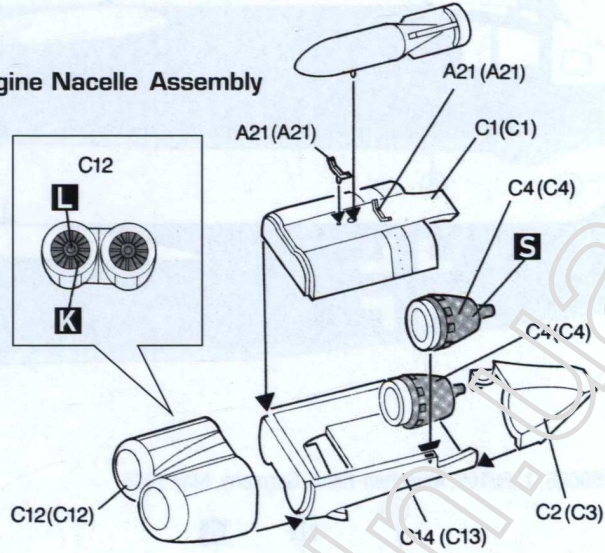
### 9 Torpedo Assembly



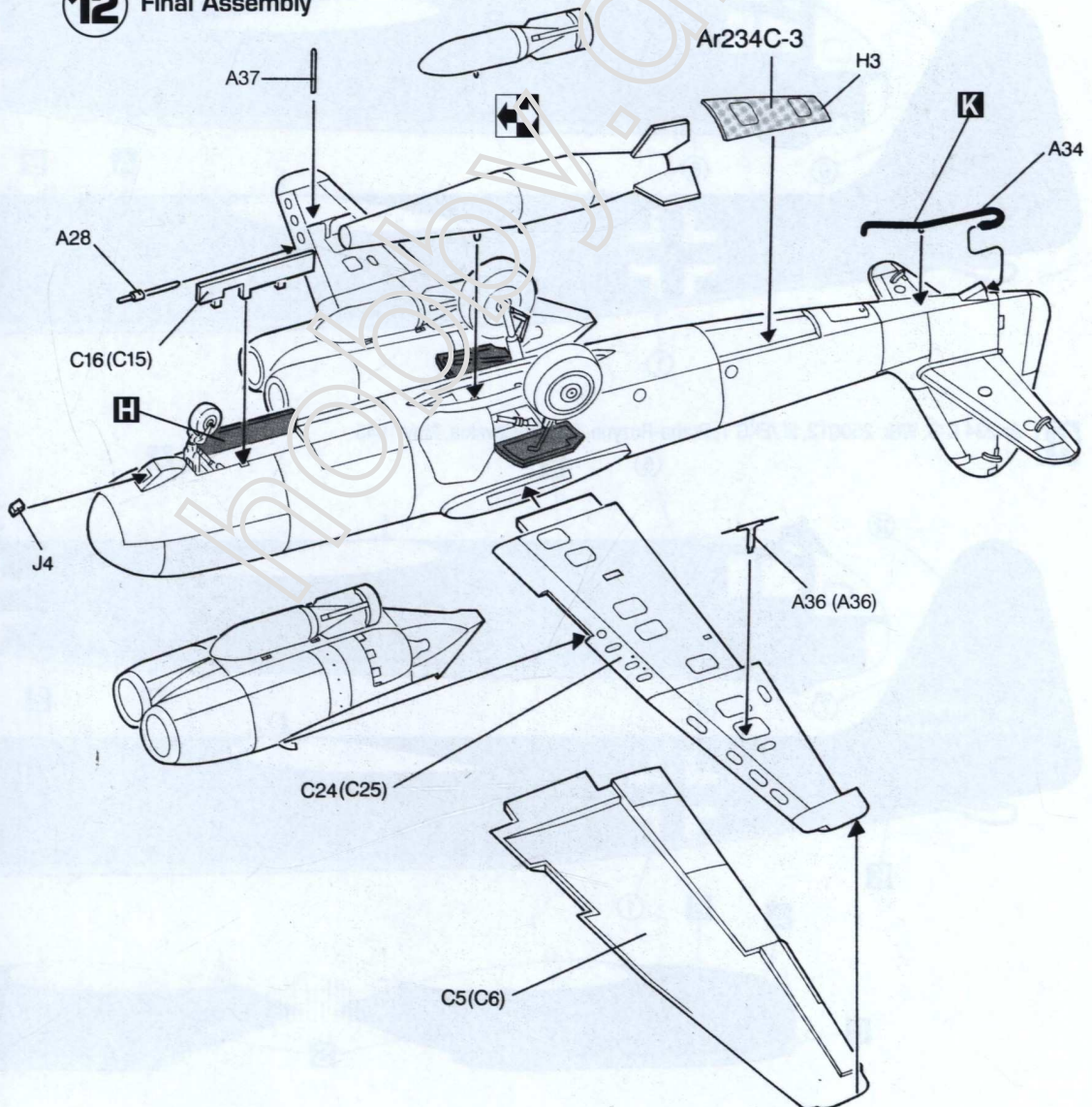
### 10 Bomb Assembly



### 11 Engine Nacelle Assembly



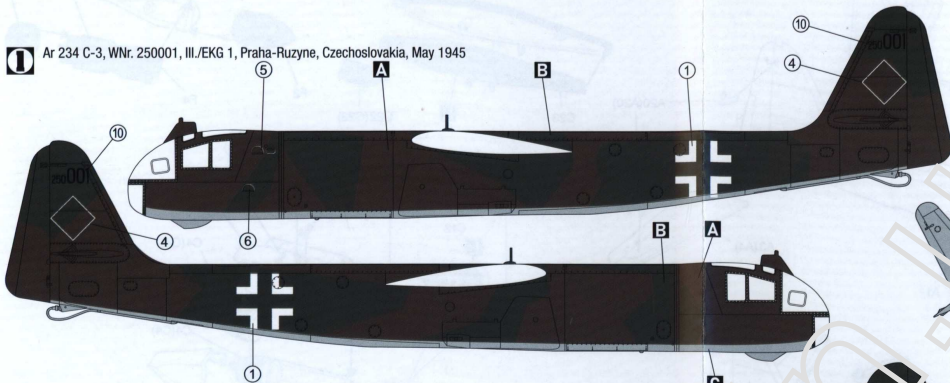
### 12 Final Assembly



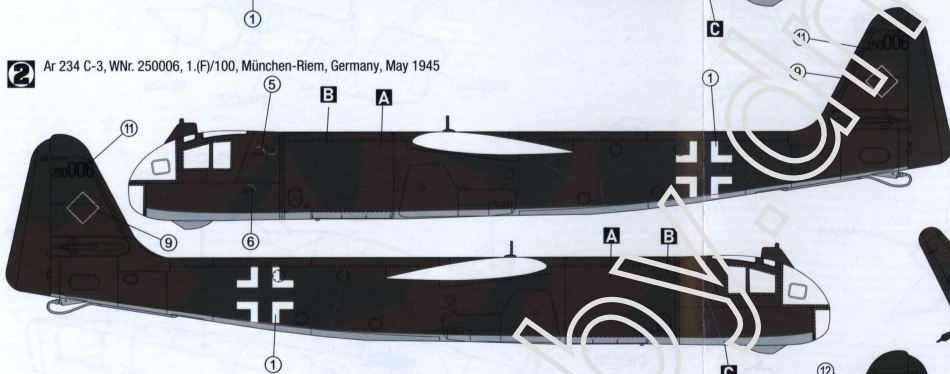


**MARKINGS AND PAINTING** Markierungen und Bemalung Decoration et Peinture Decoracion y Pintura  
 Marcio & Pittura Oznakowania i Malowanie Označení & Zbarvení

**1** Ar 234 C-3, WNr. 250001, III./EKG 1, Praha-Ruzyně, Czechoslovakia, May 1945



**2** Ar 234 C-3, WNr. 250006, 1.(F)/100, München-Riem, Germany, May 1945



**3** Ar 234 C-3, WNr. 250012, III./EKG 1, Praha-Ruzyně, Czechoslovakia, May 1945

