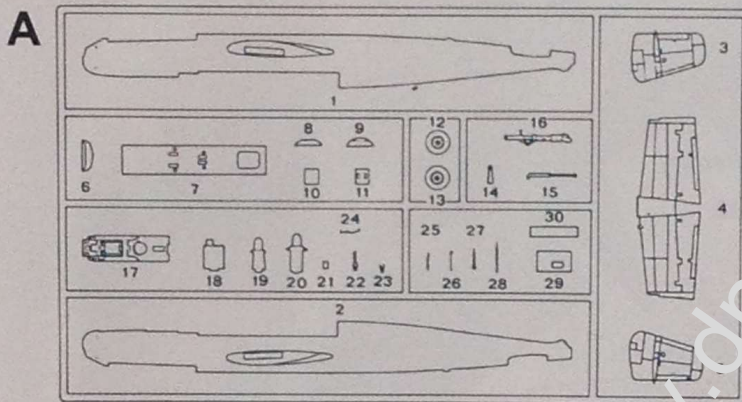
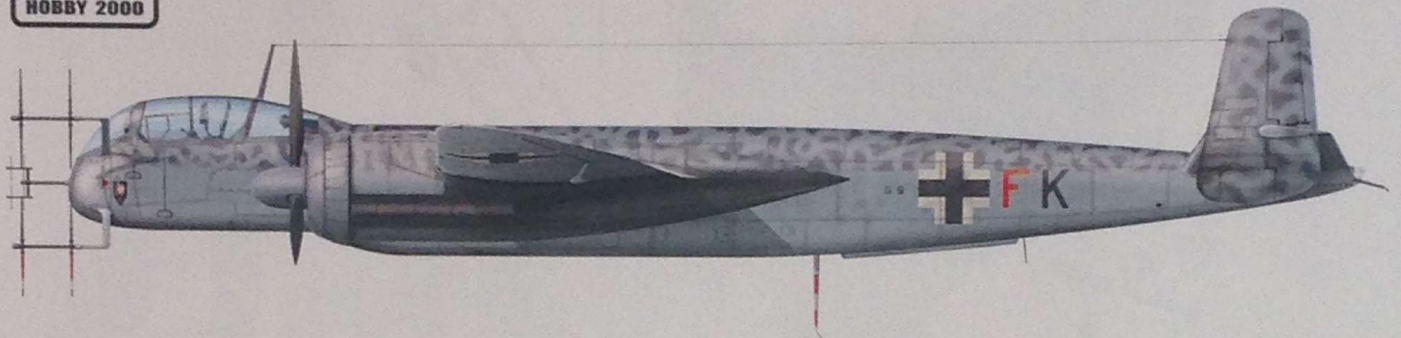


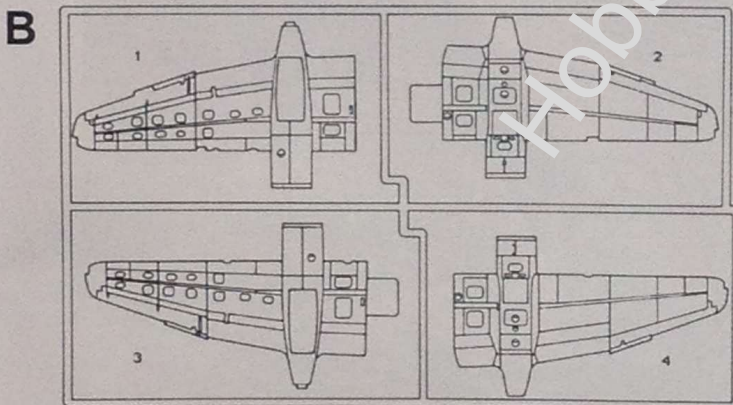
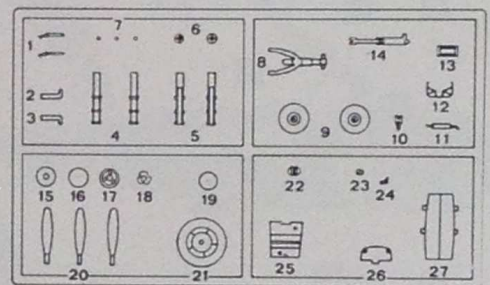


Heinkel He 219 A-0

72067

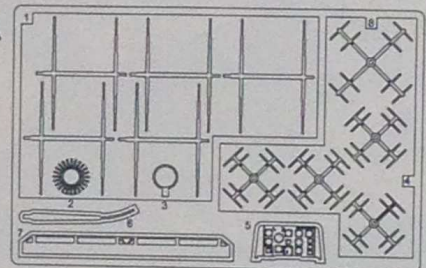


Cx2

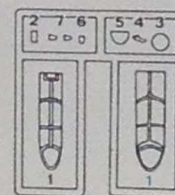


(Photo-etched Parts)

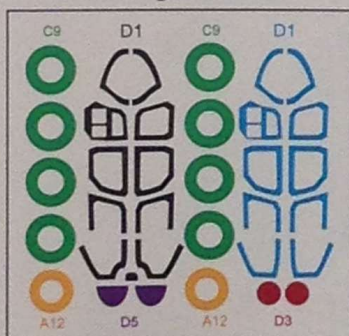
MA



D

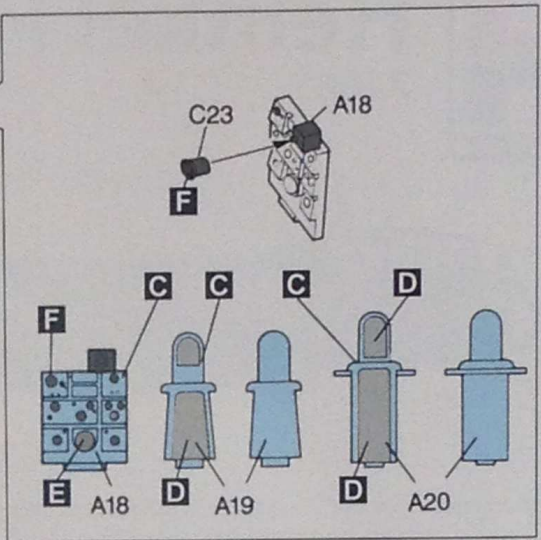
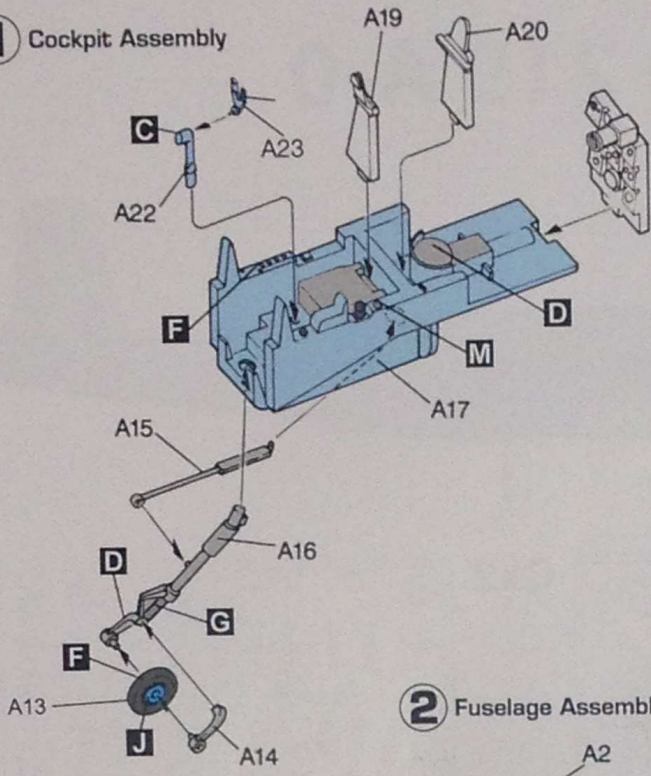


Painting Mask Set

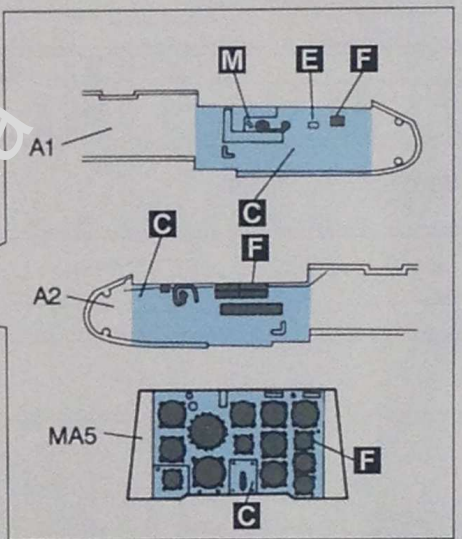
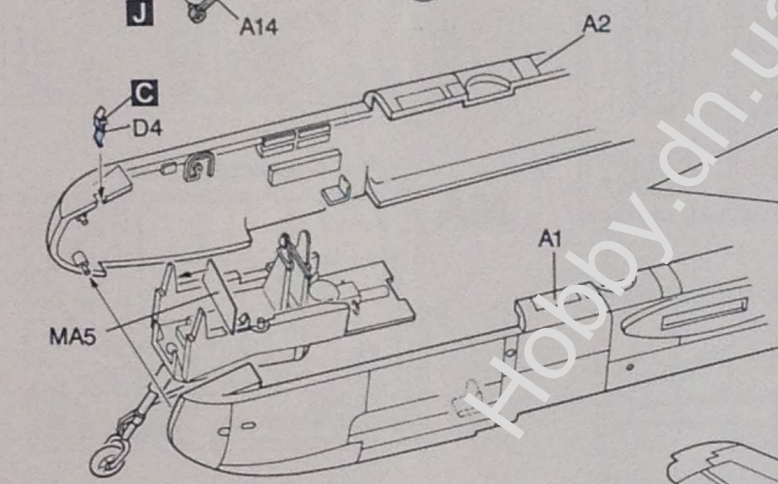


Color Chart	AK Interactive	AMMO	HATAKA	Mr. COLOR	TAMIYA	
RLM 75 Gray	A	RC326	230	020	122	XF-24
RLM 76 Light Blue	B	RC279	254	007	37	
RLM 66 Black Gray	C	RC339	218	040	116	XF-63
RLM 02 Gray	D	RC266	217	023	60	XF-20
Flat White	E	RC004	047	101	62	XF-2
Flat Black	F	RC001	046	100	33	XF-1
Silver	G	AK478	195	003	8	X-11
Steel	H	AK476	191		028	XF-56
RLM 04 Flat Yellow	I	RC267	048	066	113	XF-3
Gloss Black	J	AK471	032		2	X-1
Clear Blue	K	RC259	927	018	12	X-23
Clear Red	L	RC504	098	CC01	50	X-27
Flat Red	M	RC005	049	103	114	XF-7
Burnt Metal	N	AK484	187	016	C61	XF-84
RLM 70 Black Green	O	RC274	232	015	C18	XF-27

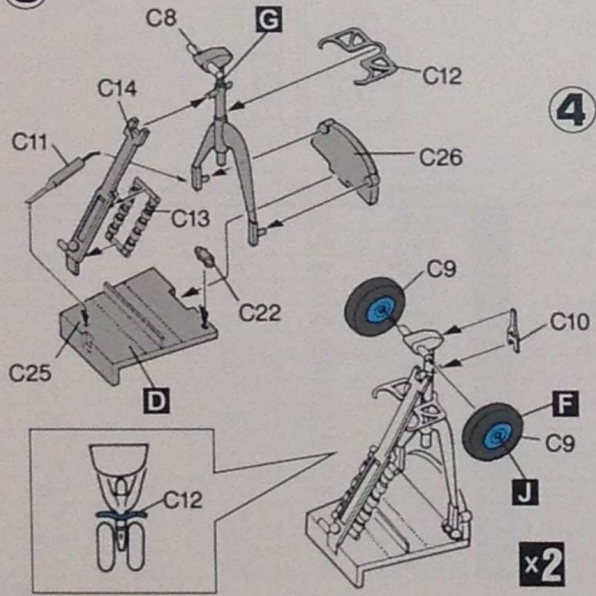
1 Cockpit Assembly



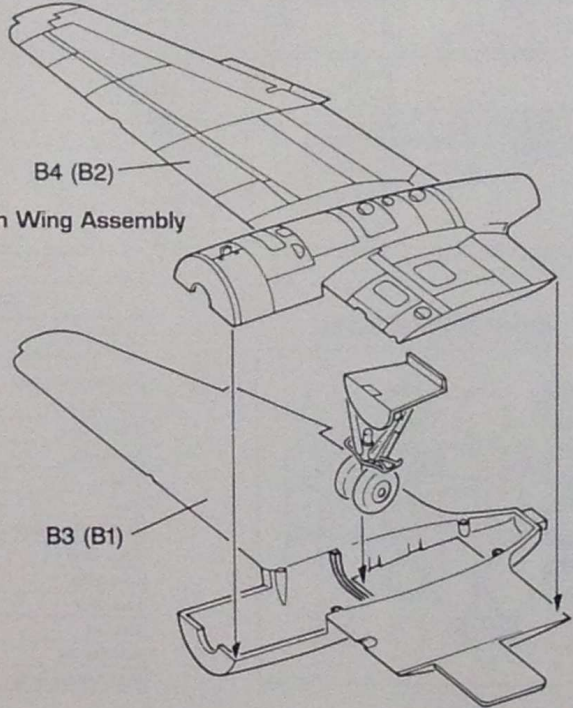
2 Fuselage Assembly



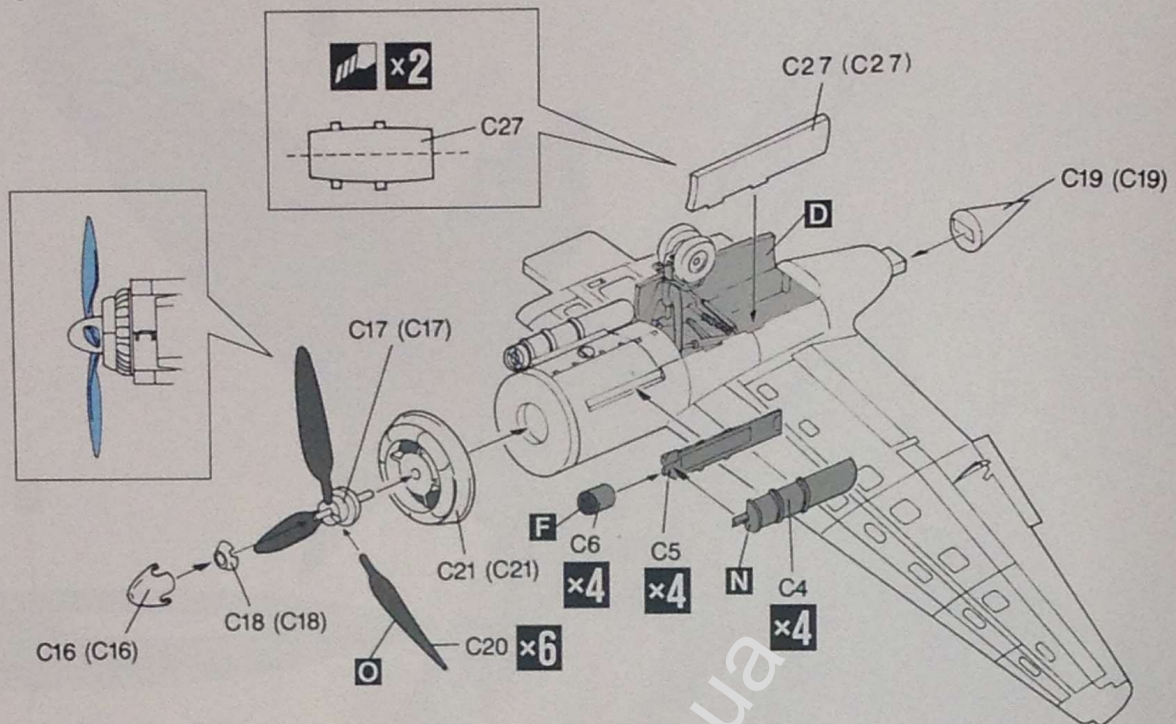
3 Main Gear Assembly



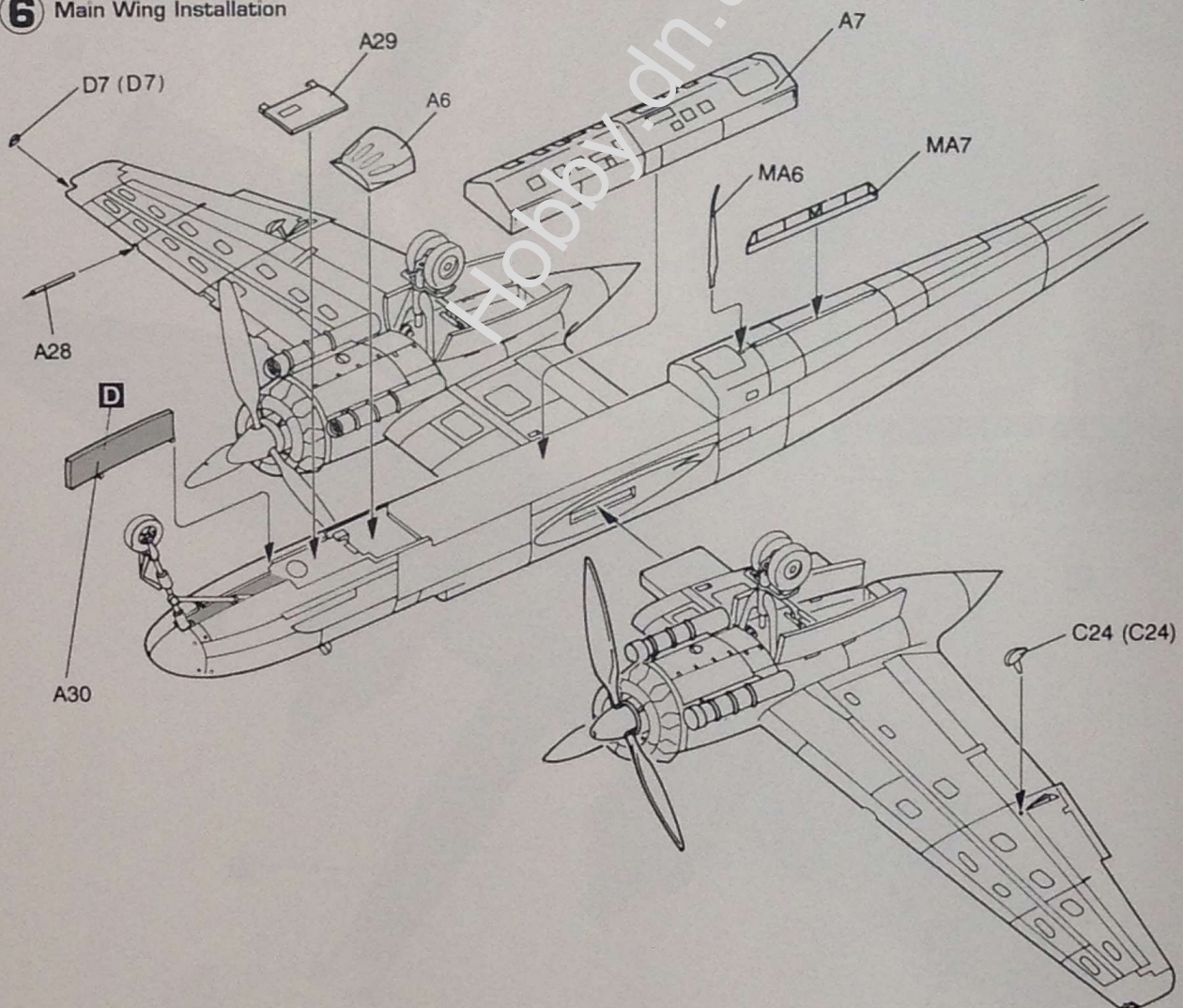
4 Main Wing Assembly



5 Engine Assembly

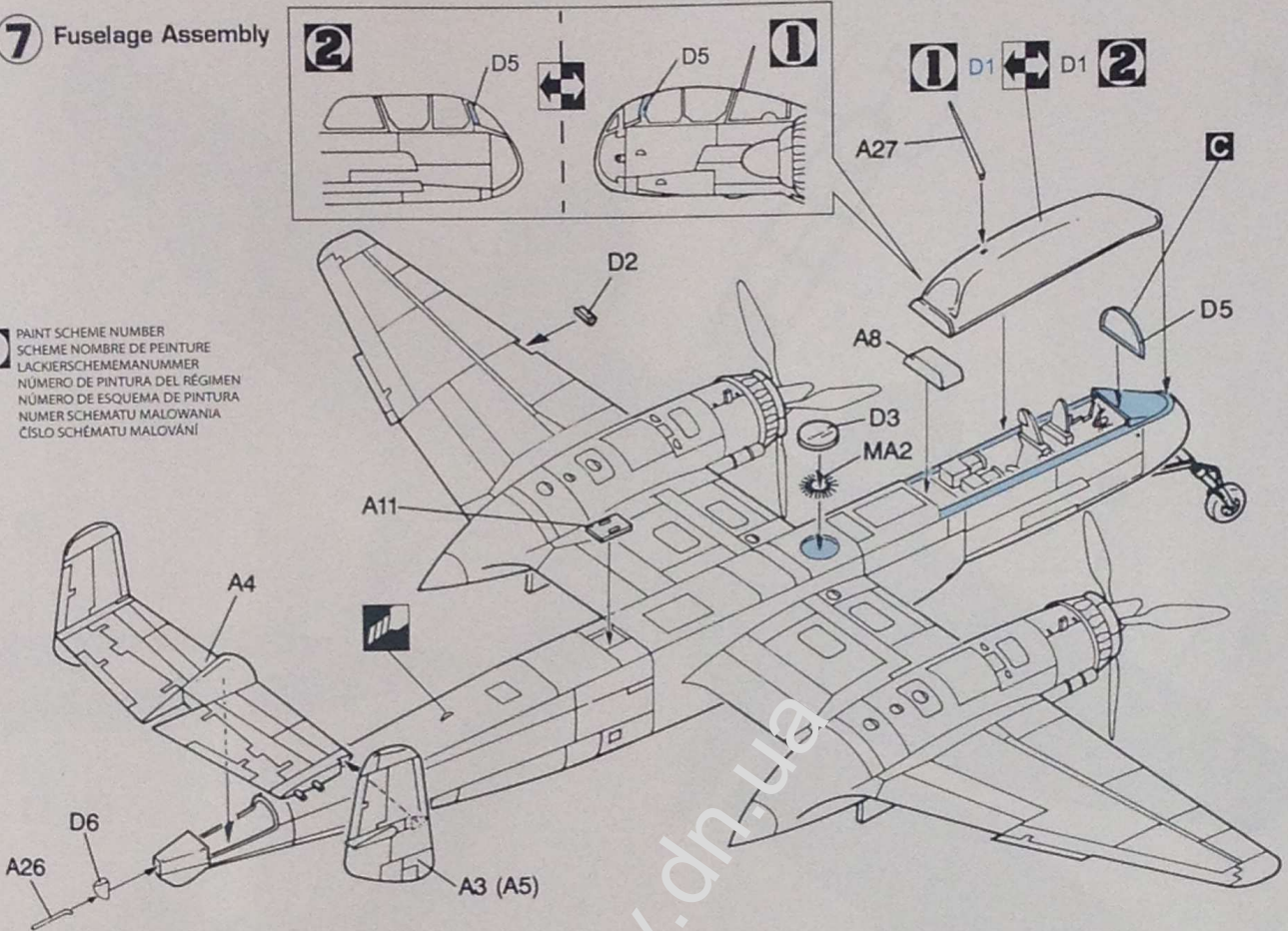


6 Main Wing Installation

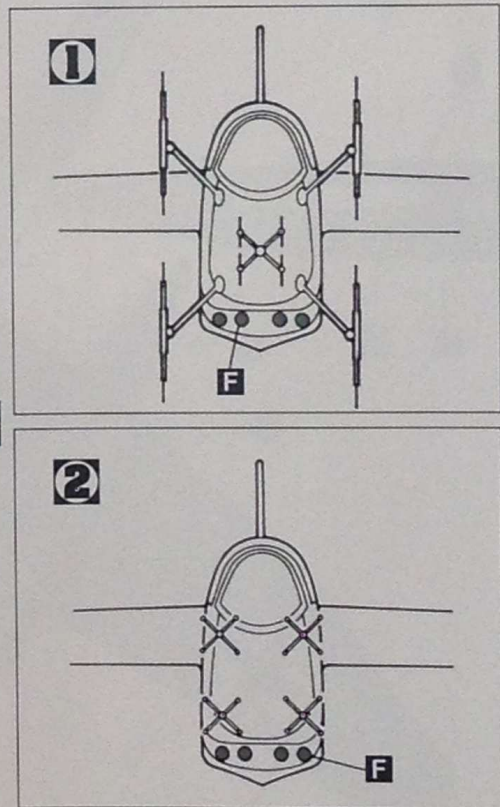
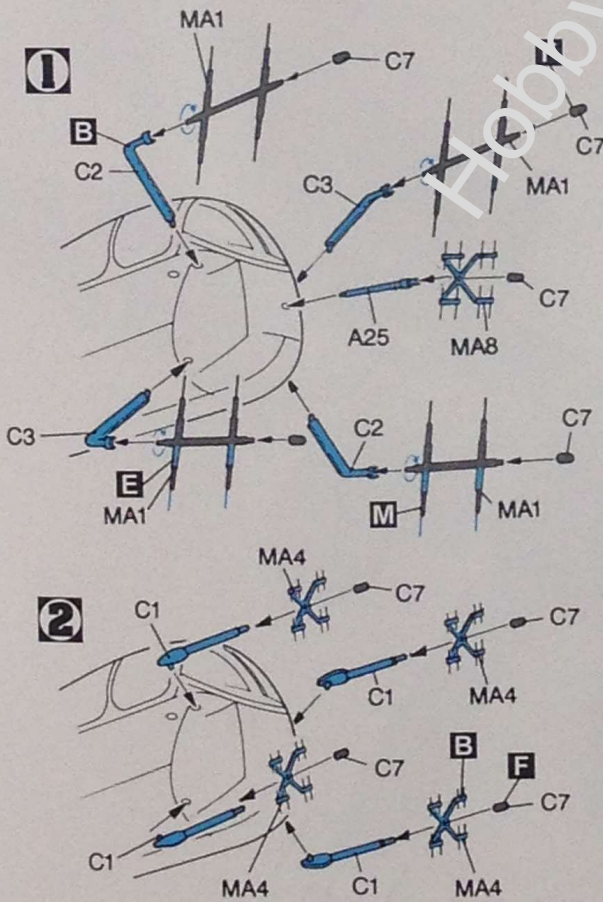


7 Fuselage Assembly

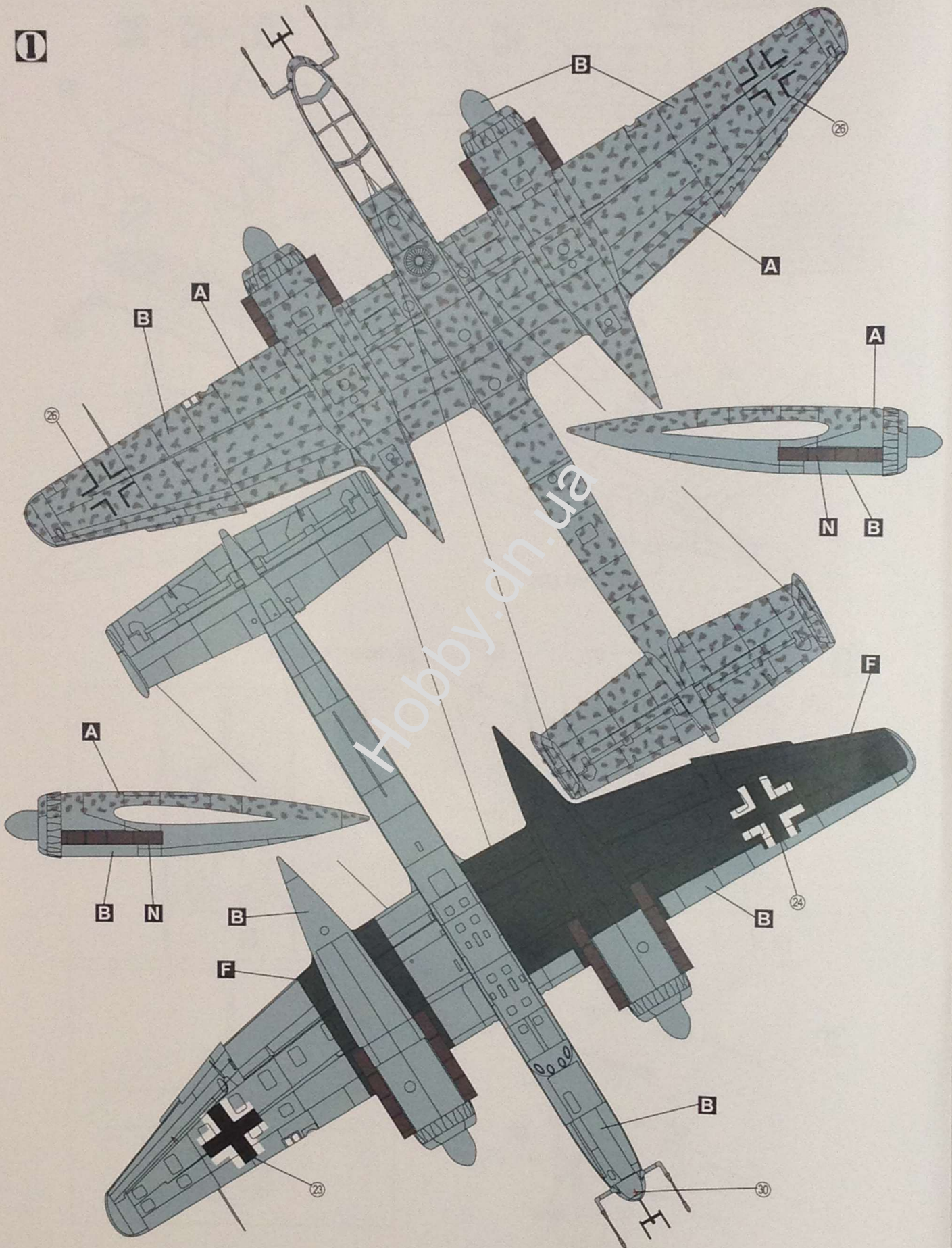
1 PAINT SCHEME NUMBER
 SCHEME NOMBRE DE PEINTURE
 LACKIERSCHEMENUMMER
 NÚMERO DE PINTURA DEL RÉGIMEN
 NÚMERO DE ESQUEMA DE PINTURA
 NUMER SCHEMATU MALOVANIA
 ČÍSLO SCHEMATU MALOVÁNÍ



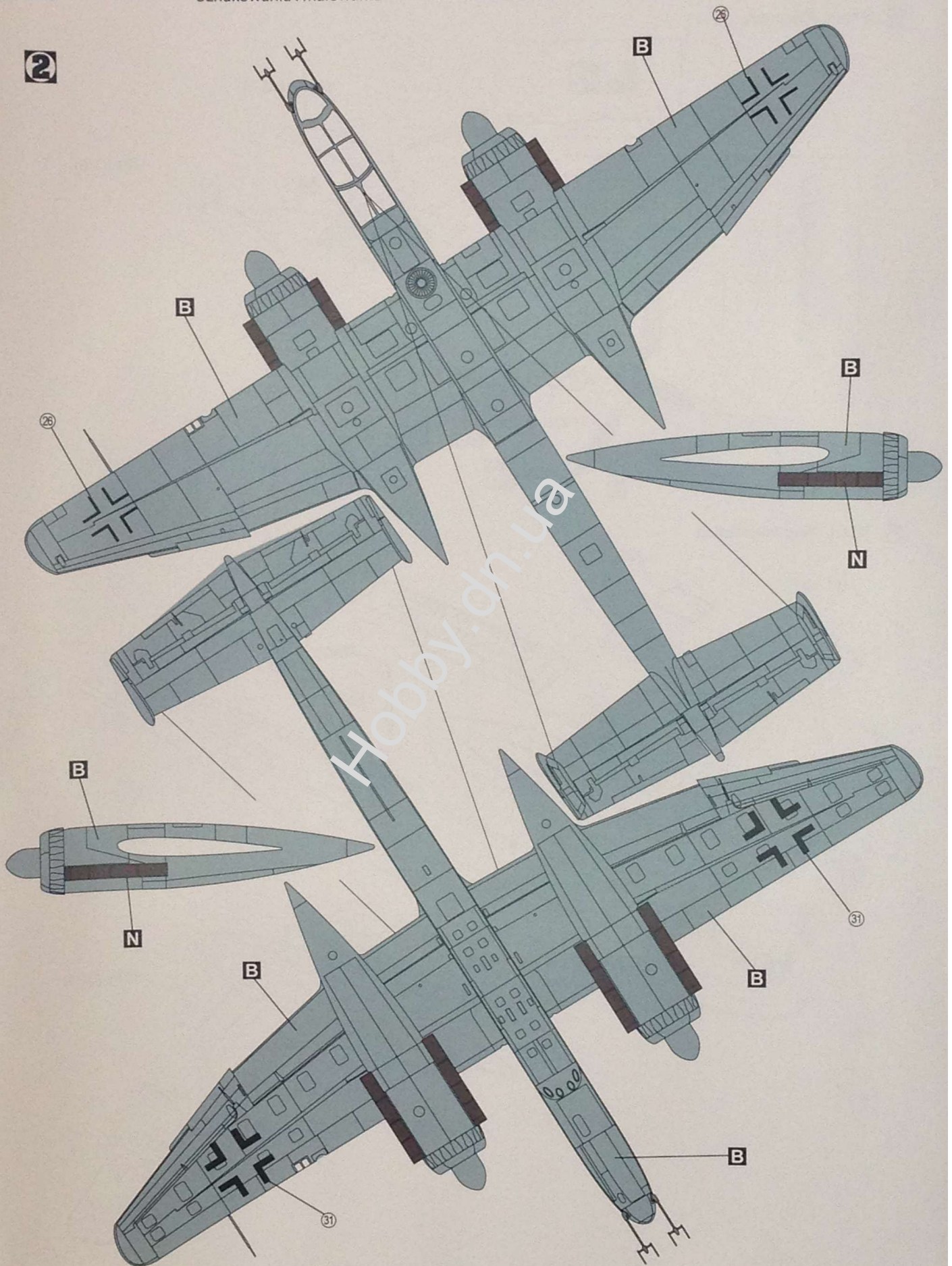
8 Radar Assembly



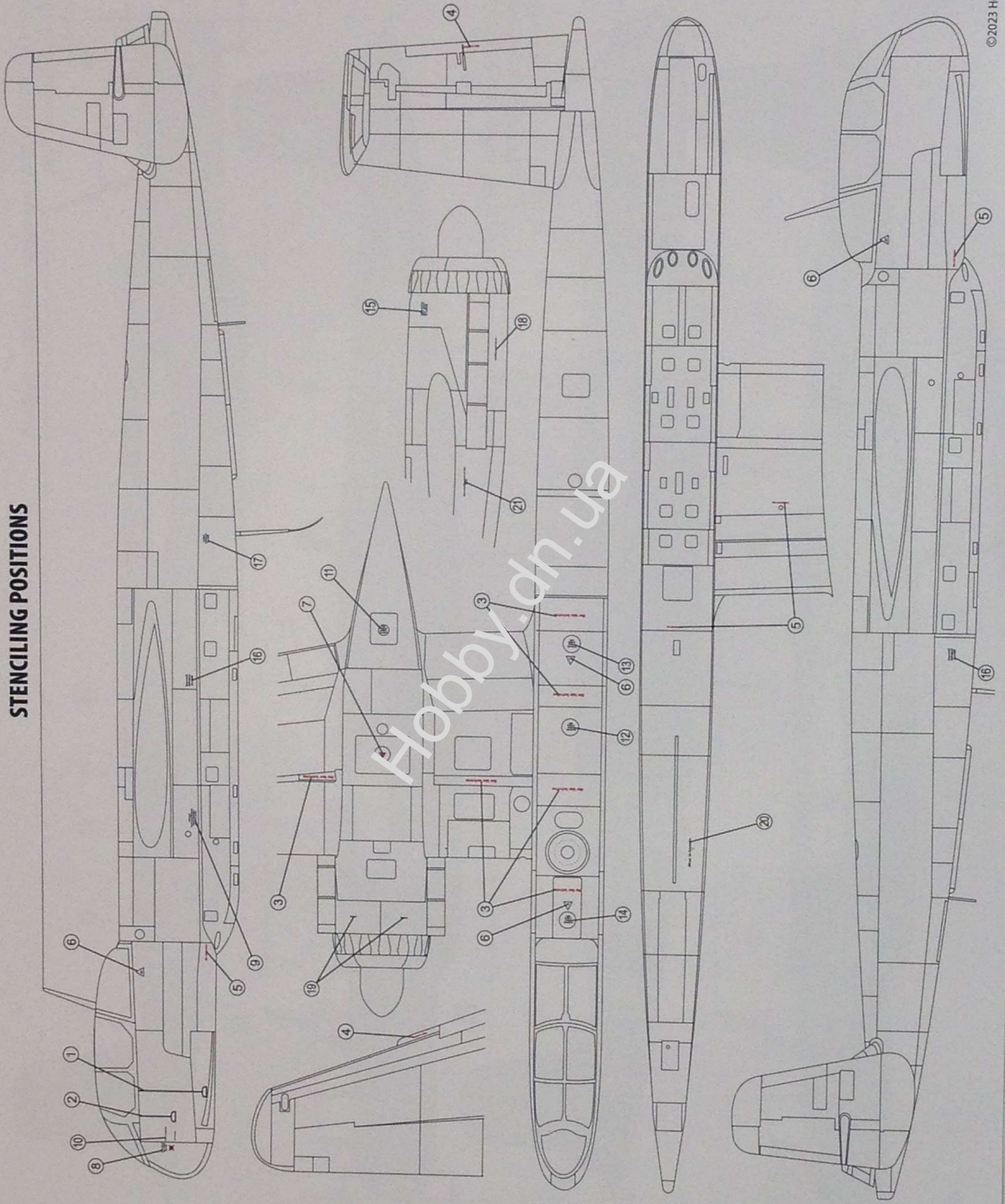
1



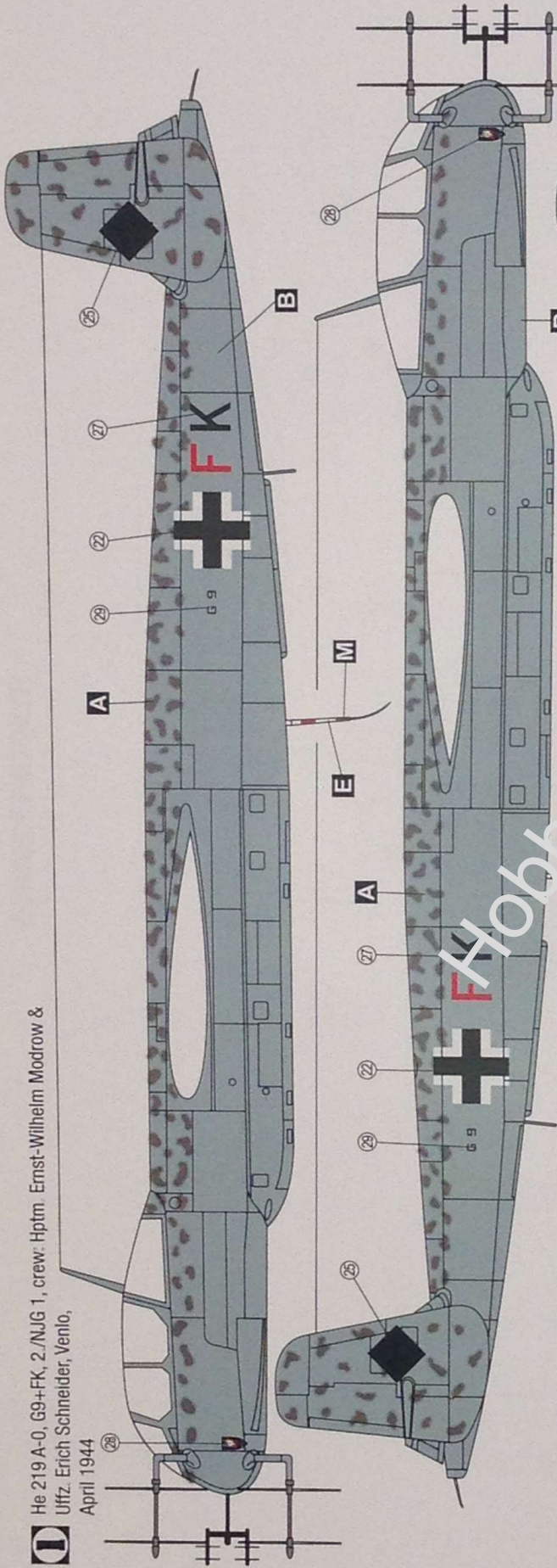
2



STENCILING POSITIONS



1 He 219 A-0, G9+FK, 2./NJG 1, crew: Hptm. Ernst-Wilhelm Modrow & Uffz. Erich Schneider, Venlo, April 1944



2 He 219 V 9, WNr. 190009, G9+FB, Stab I./NJG 1, crew: Maj. Werner Streib & Uffz. Helmut Fischer, Venlo, June 1943

