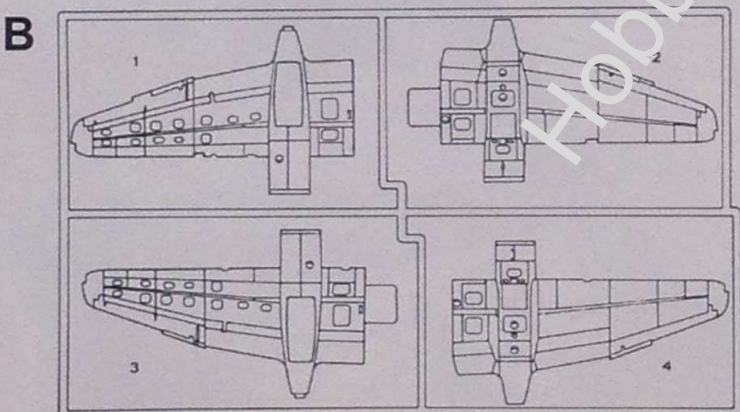
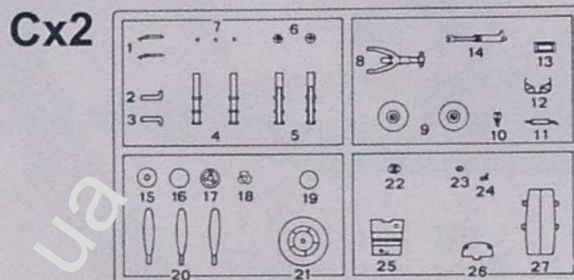
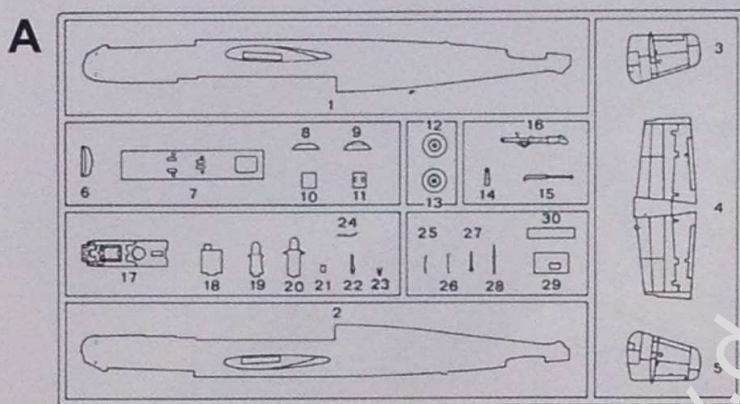


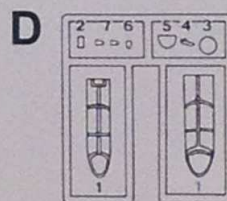
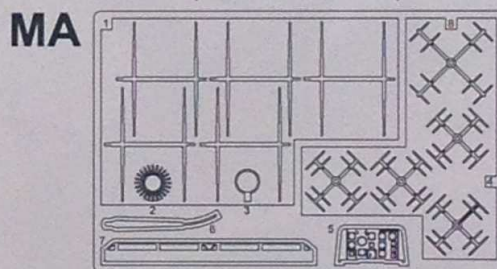


Heinkel He 219 A-2

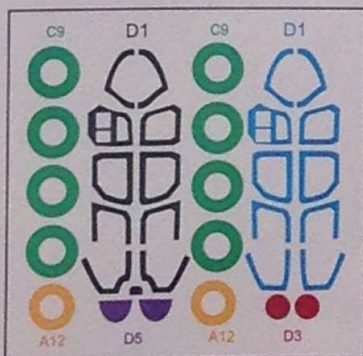
72068



(Photo-etched Parts)

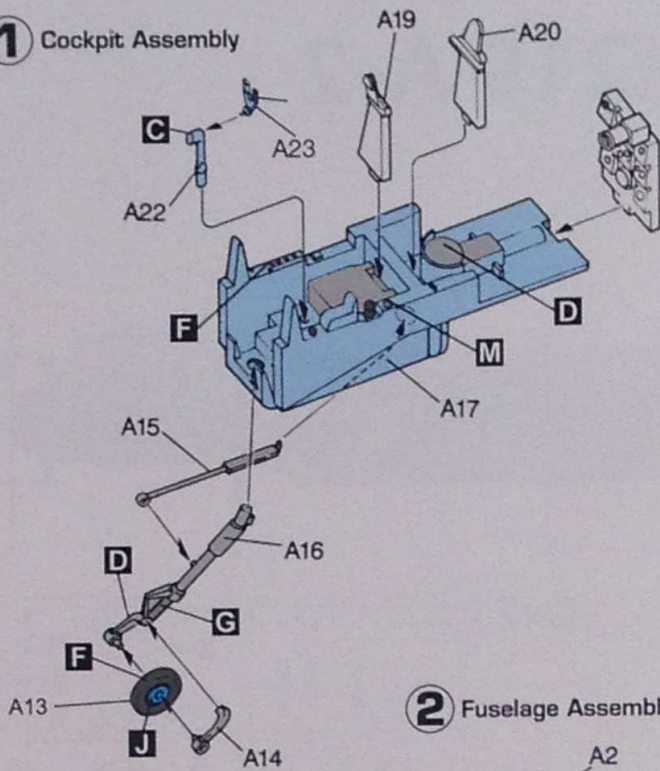


Painting Mask Set

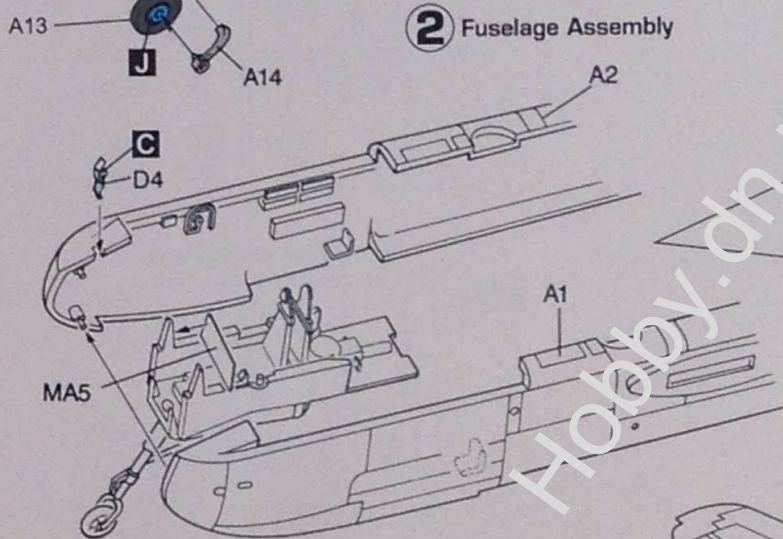


Color Chart	AK Interactive	AMMO	HATAKA	Mr. COLOR	TAMIYA
RLM 75 Gray	A RC326	230	020	122	XF-24
RLM 76 Light Blue	B RC279	254	007	37	
RLM 66 Black Gray	C RC339	218	040	116	XF-63
RLM 02 Gray	D RC266	217	023	60	XF-20
Flat White	E RC004	047	101	62	XF-2
Flat Black	F RC001	046	100	33	XF-1
Silver	G AK478	195	003	8	X-11
Steel	H AK476	191		028	XF-56
RLM 04 Flat Yellow	I RC267	048	066	113	XF-3
Gloss Black	J AK471	032		2	X-1
Clear Blue	K RC259	927	018	12	X-23
Clear Red	L RC504	098	CC01	50	X-27
Flat Red	M RC005	049	103	114	XF-7
Burnt Metal	N AK484	187	016	C61	XF-84
RLM 70 Black Green	O RC274	232	015	C18	XF-27

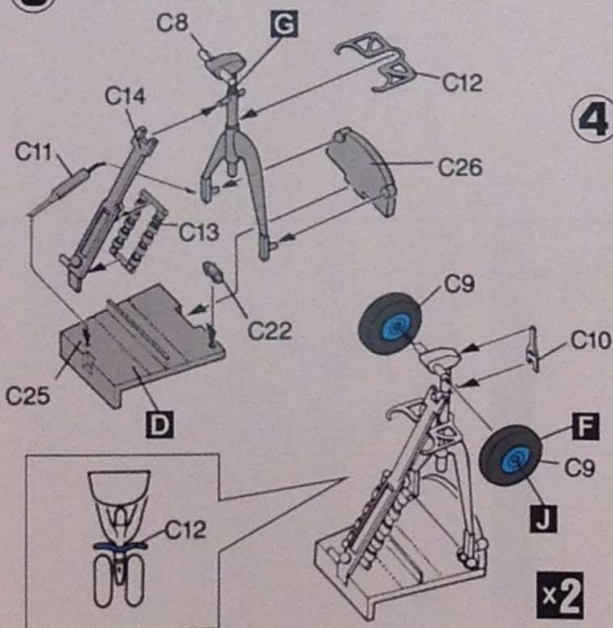
1 Cockpit Assembly



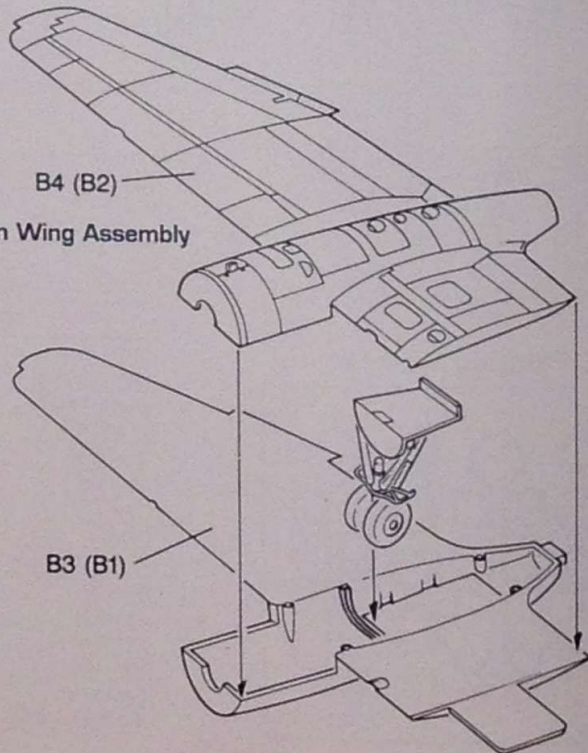
2 Fuselage Assembly



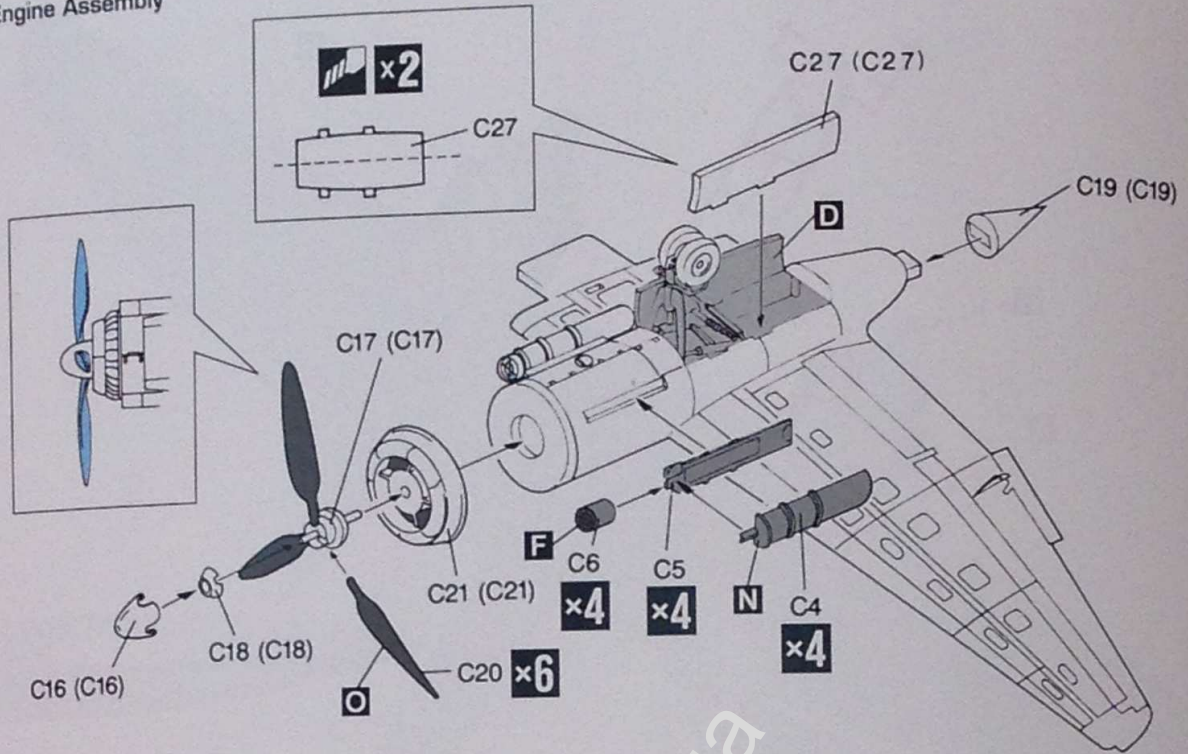
3 Main Gear Assembly



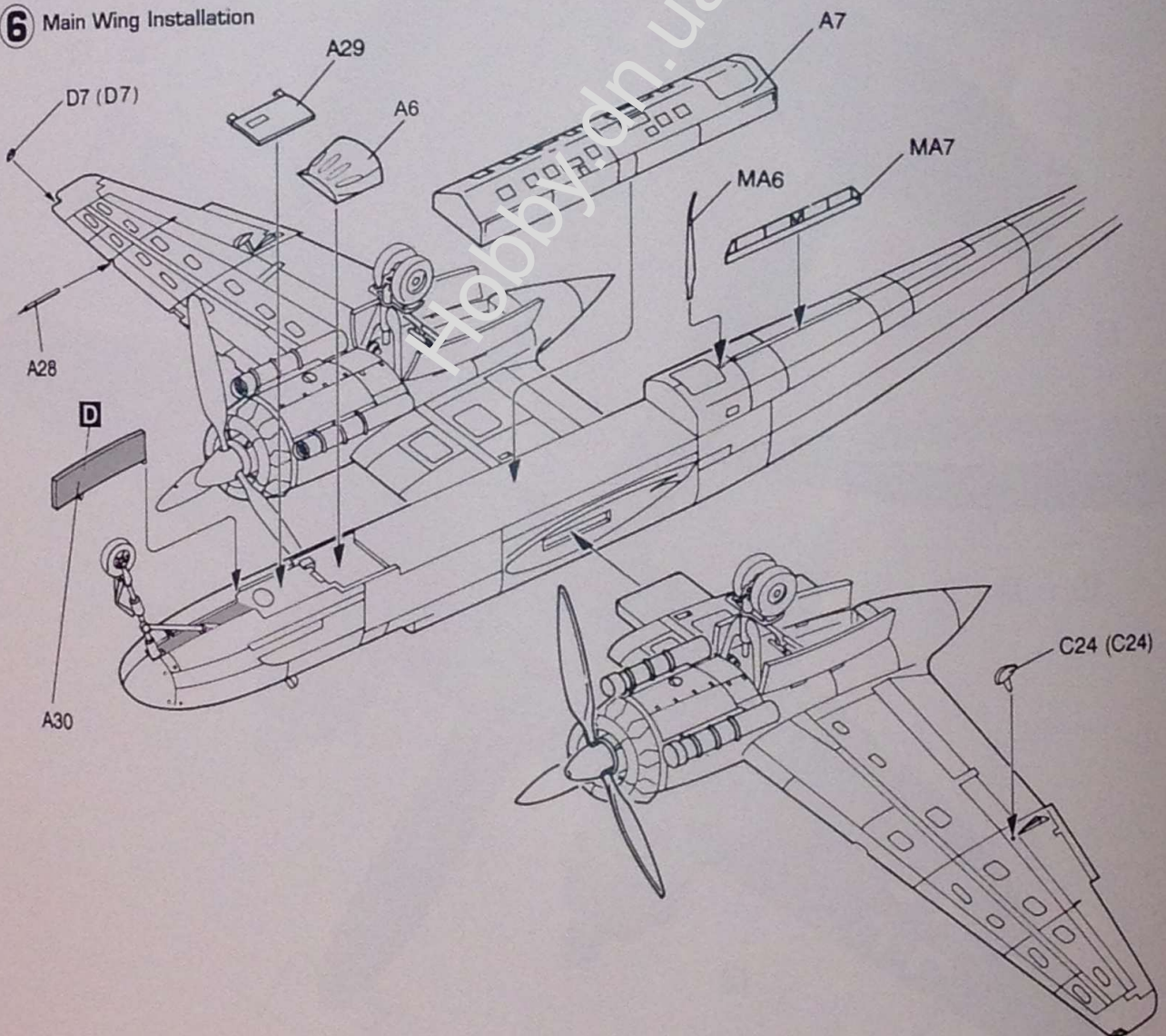
4 Main Wing Assembly



5 Engine Assembly

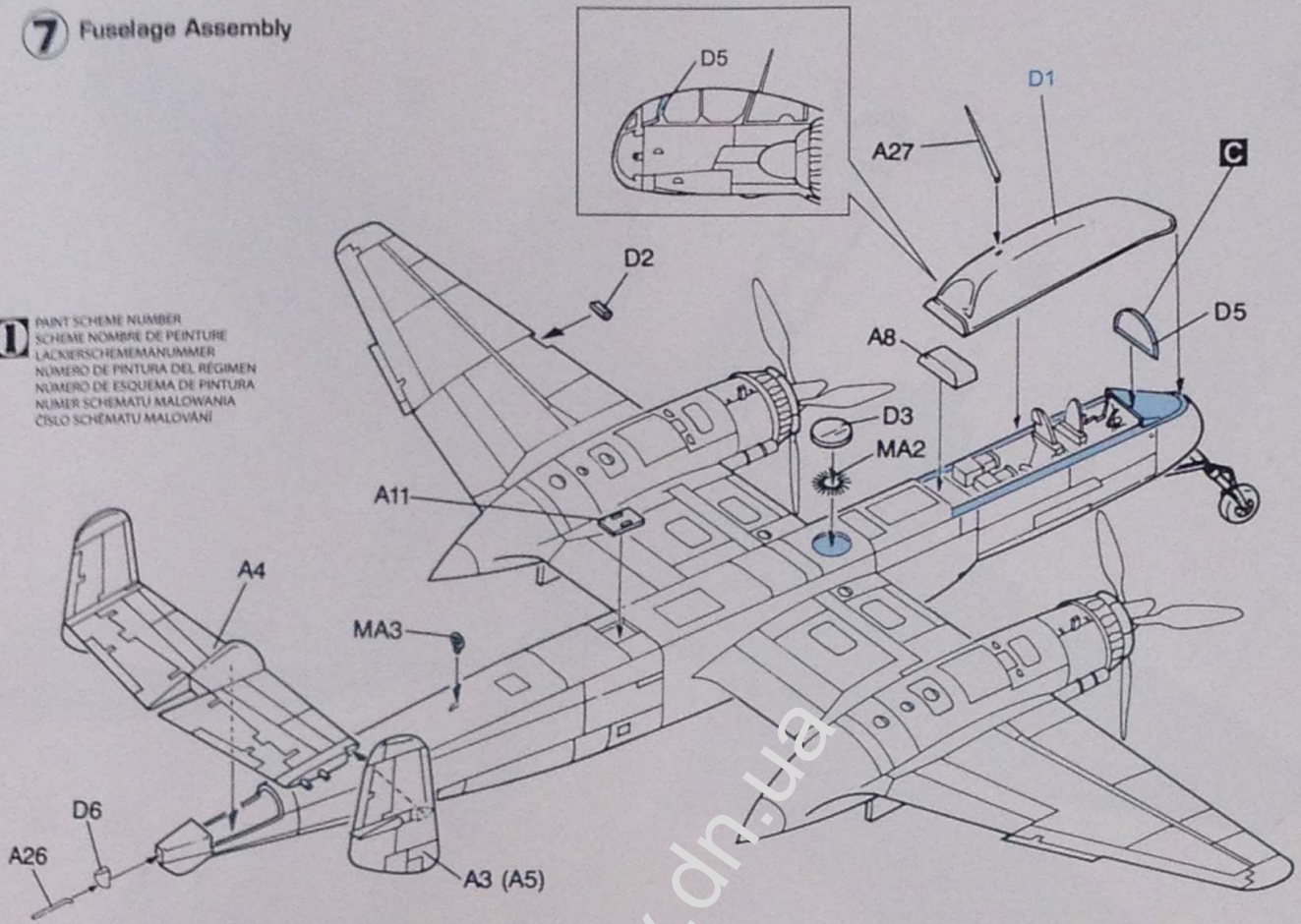


6 Main Wing Installation

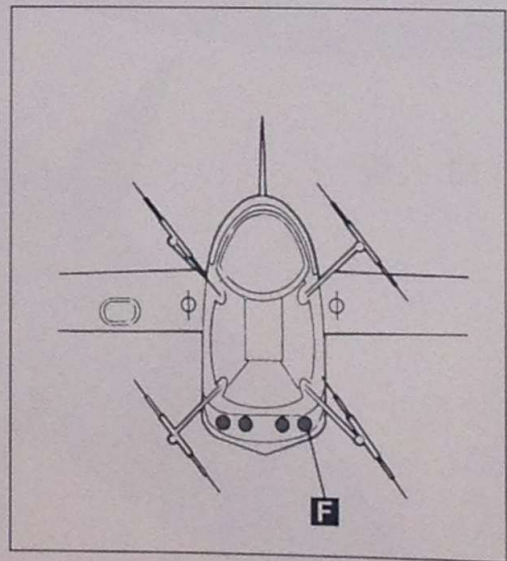
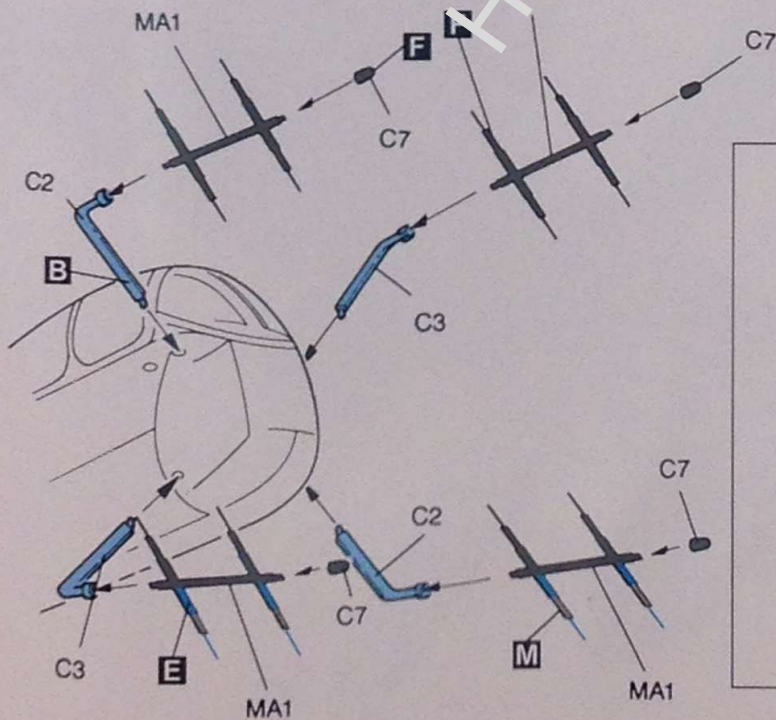


7 Fuselage Assembly

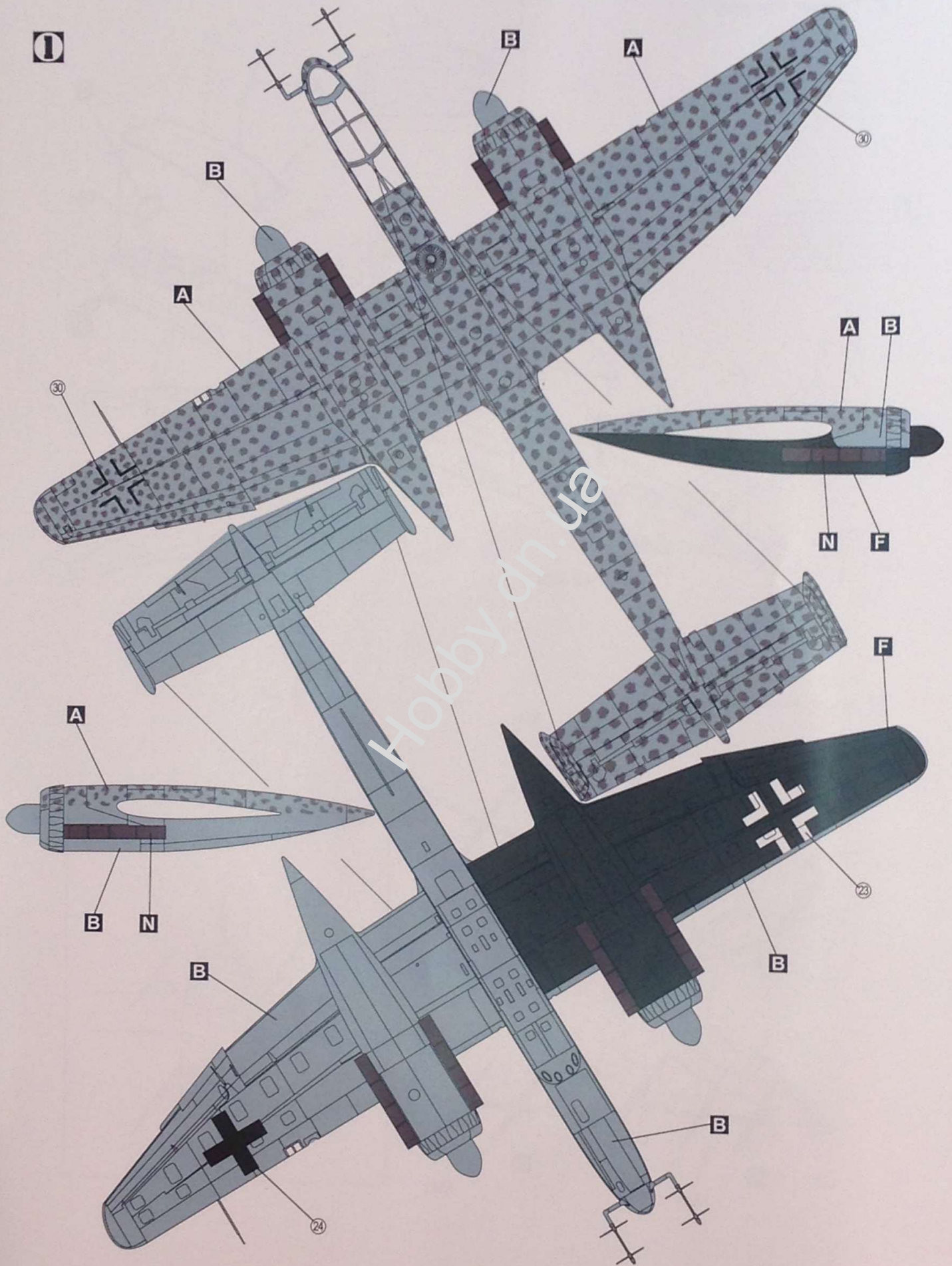
I PAINT SCHEME NUMBER
 SCHEM NOMBRE DE PEINTURE
 LACKERSCHEMENUMMER
 NÚMERO DE PINTURA DEL RÉGIMEN
 NÚMERO DE ESQUEMA DE PINTURA
 NUMER SCHEMATU MALOWANIA
 ČÍSLO SCHEMATU MALOVÁNÍ



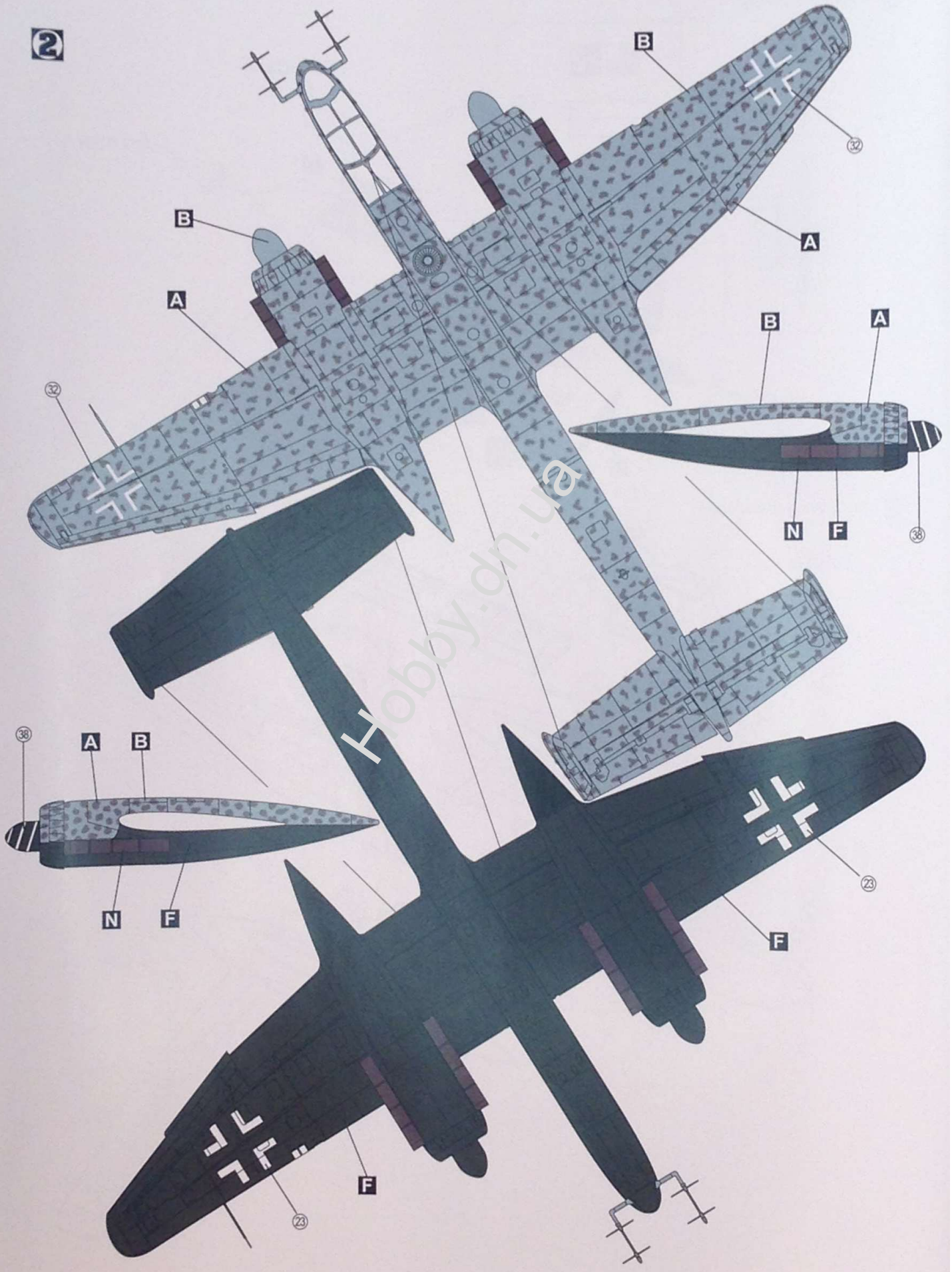
8 Radar Assembly



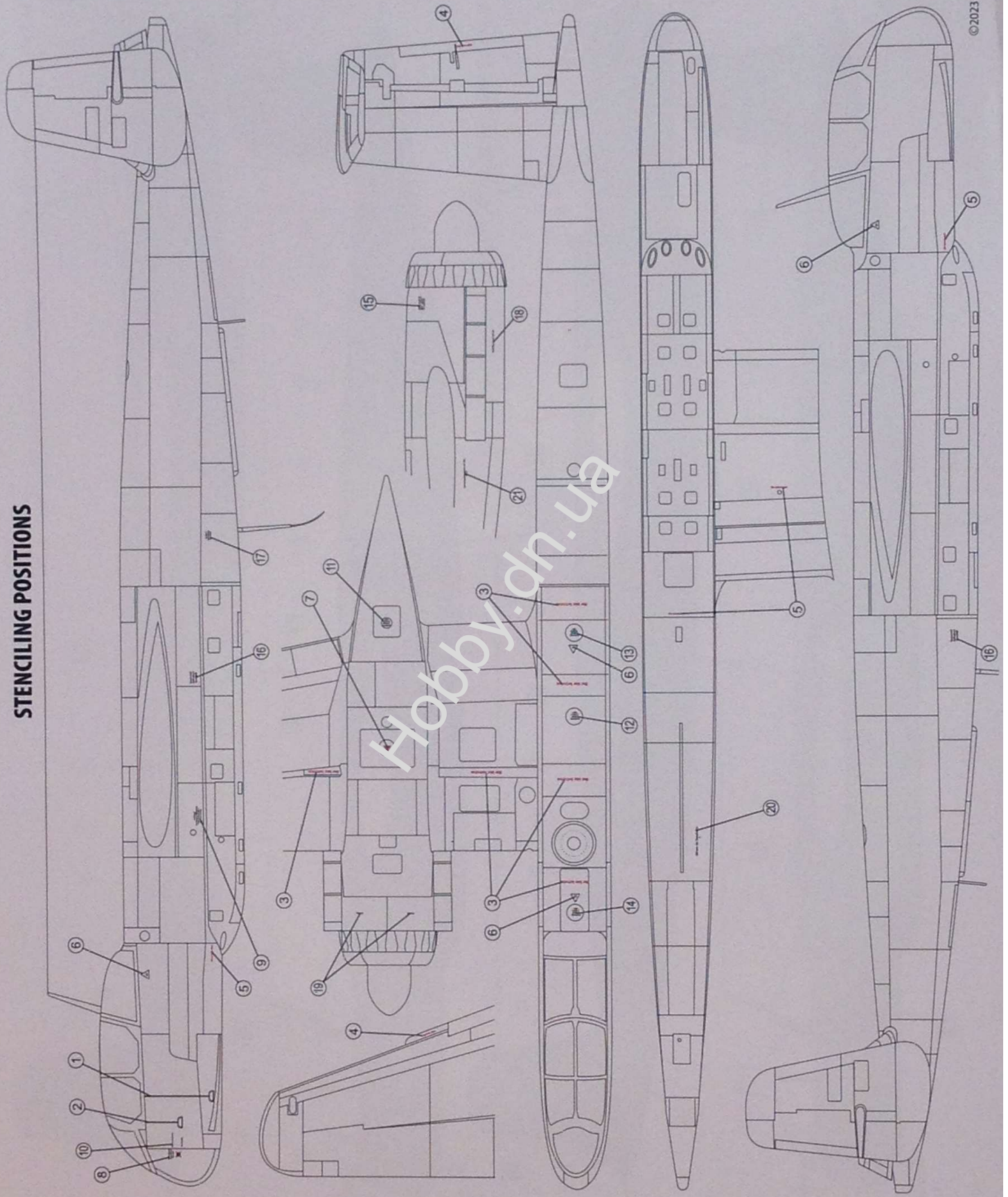
①



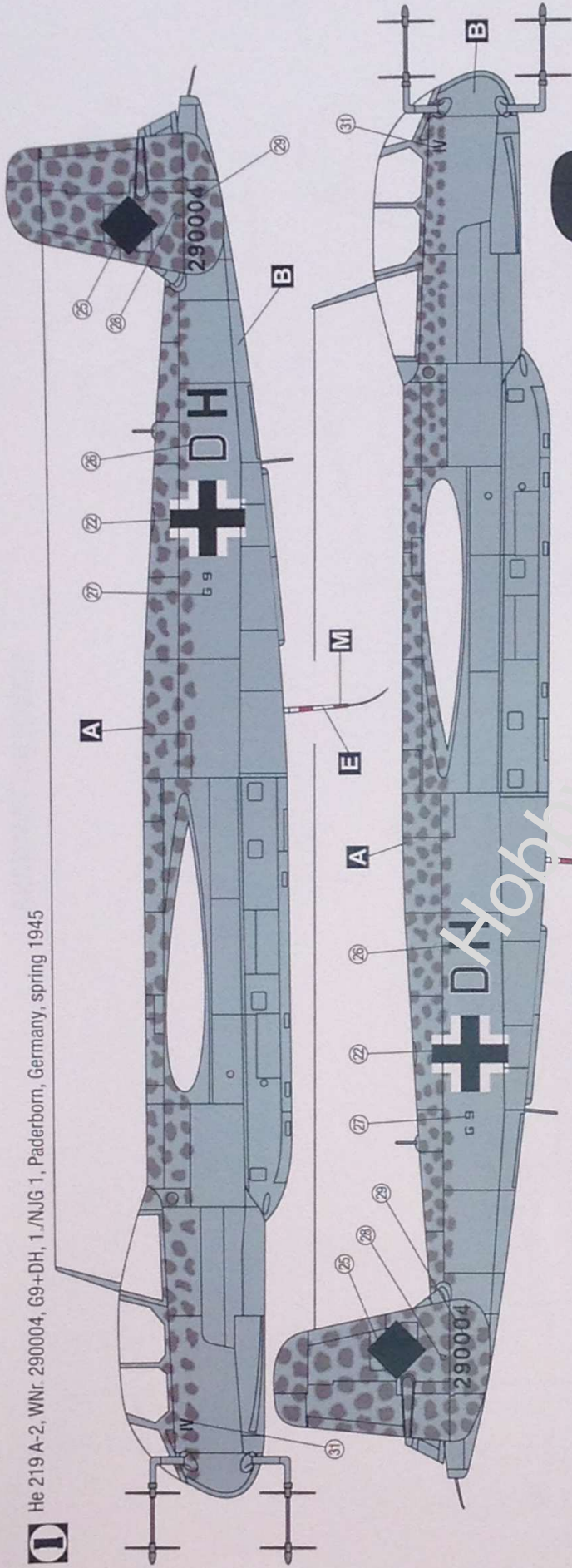
2



STENCILING POSITIONS



1 He 219 A-2, WNr. 290004, G9+DH, 1./NJG 1, Paderborn, Germany, spring 1945



2 He 219 A-2, WNr. 290126, D5+BL, 3./NJG 3, Grove, Denmark, May 1945

