



Made in Czech Republic

1/32 SB2C-4 HELLDIVER

1/32 AIRCRAFT SERIES NO.01 FUSELAGE LENGTH 318MM.

Úvod

CZ Curtiss SB2C Helldiver byl americký střemhlavý bombardér. Byl navržen ve 40. letech 20. století a vyráběn v letech 1943–1945 Curtiss-Wright Corporation. Bylo vyrobeno 7140 těchto letadel všech variant.

Plastikový model je vyráběn technologií „short-run“ a je určen pro zkušené modeláře starší 14. let.

Introduction

EN Curtiss SB2C Helldiver is an American carrier-based dive bomber. Designed in the 1940s and manufactured in 1943–1945 by Curtiss-Wright. 7140 aircraft of all variants were built.

Plastic model kit is produced by "short-run" technology for experienced modellers under 14 years old.

Doporučujeme / We recommend

Additional sets for SB2C-4 Helldiver kit:

- > INF3201 1+ Landing flaps
- > INF3201 2+ Bomb bay
- > INF3201 3+ Opened gunner position
- > INF3201 4+ Weapon set (bombs&rockets)
- > INF3201 5+ Control surfaces
- > INF3201 6+ Photoetched detail set
- > INF3201 7+ Folded wings



Ohnout
Bend



Vrtat
Drill



Volba
Option



Upravit
File



Vyrobit
Scratch build



Vteřinové lepidlo
Cyanoacrylate glue



Odstranit
Remove



Obtisk
Decal



Barva
Colour



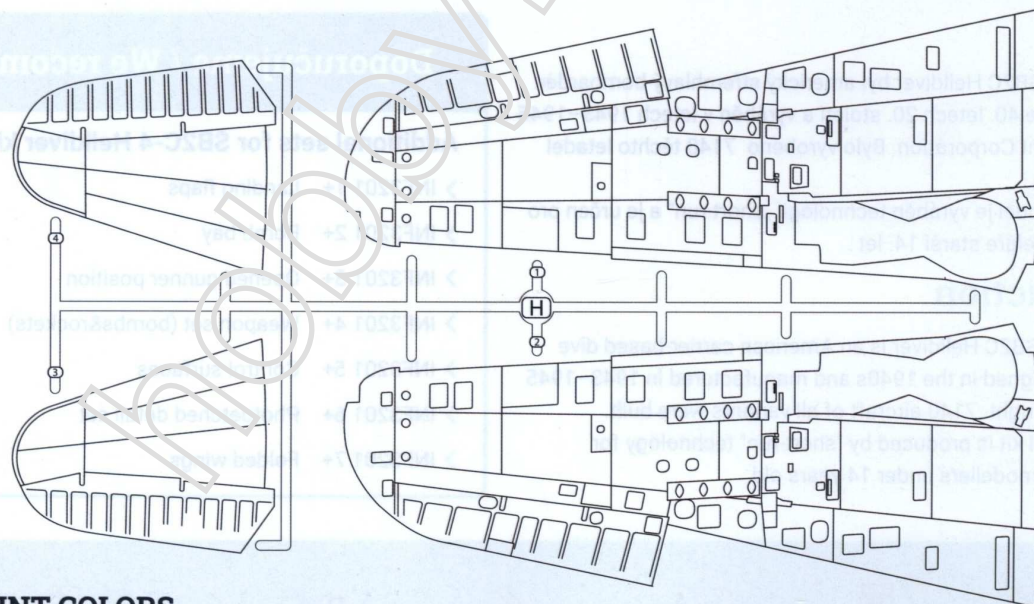
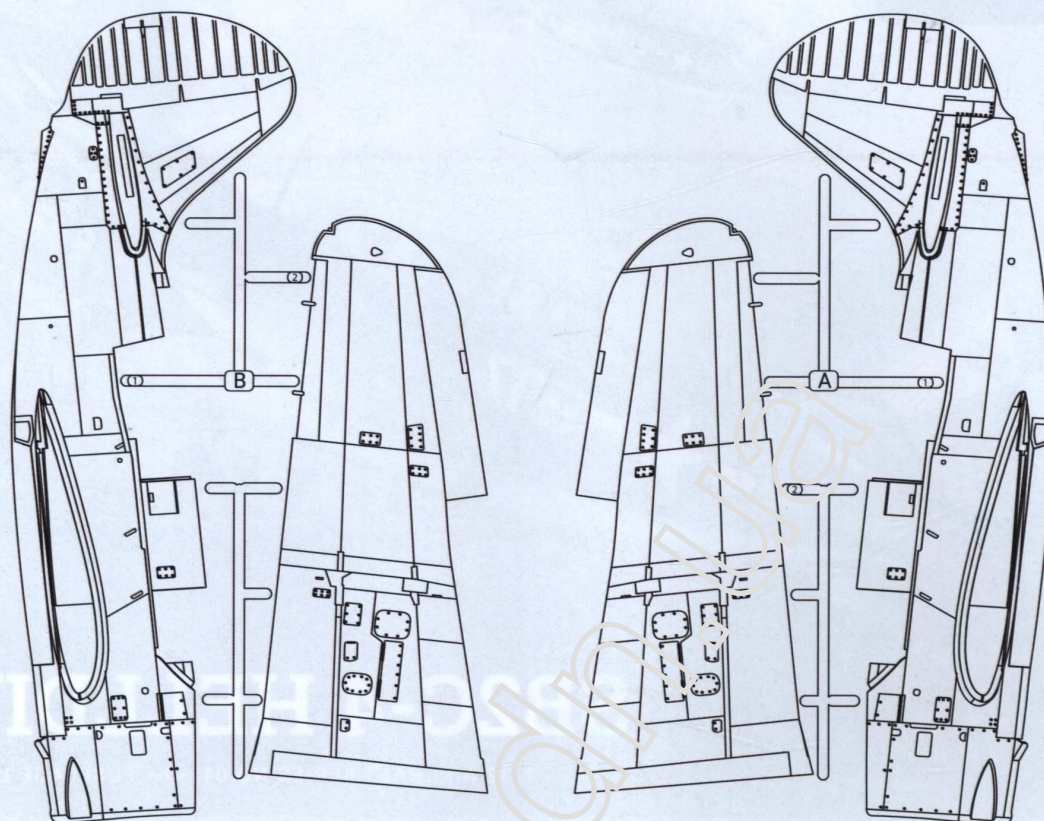
Tmelit
Fill



Průhledná folie
Transparent foil

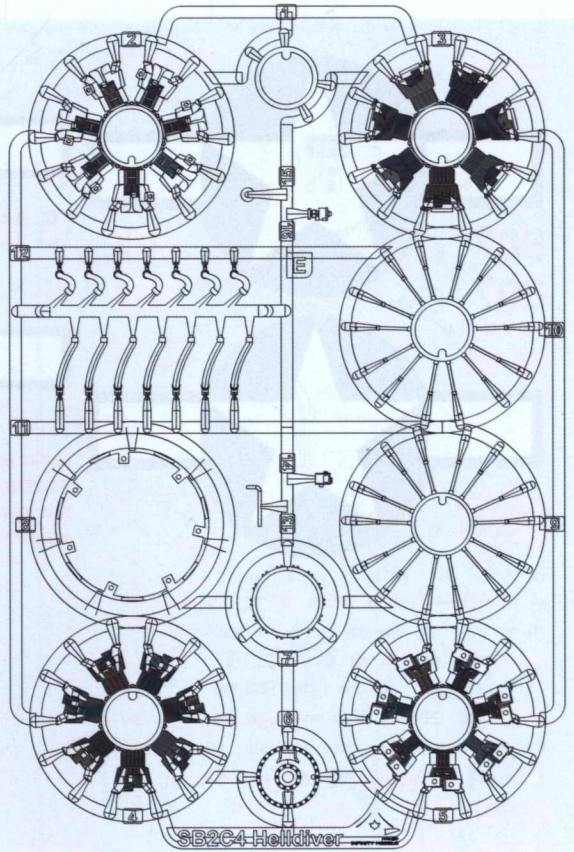
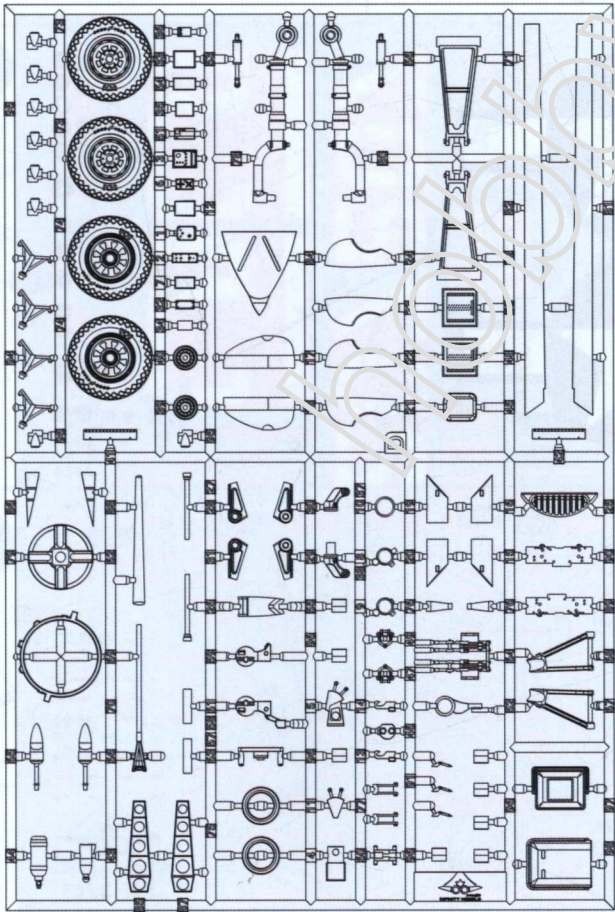
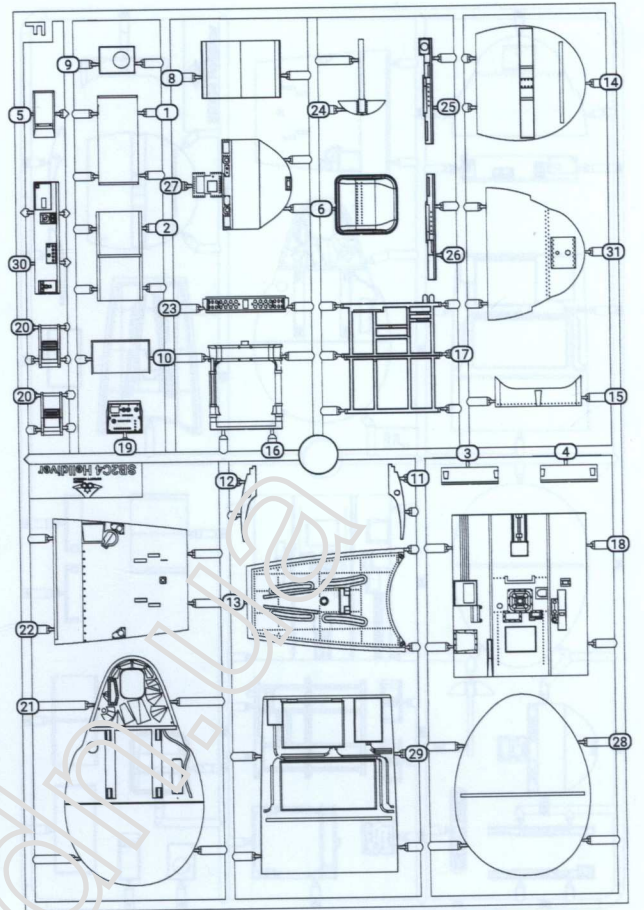
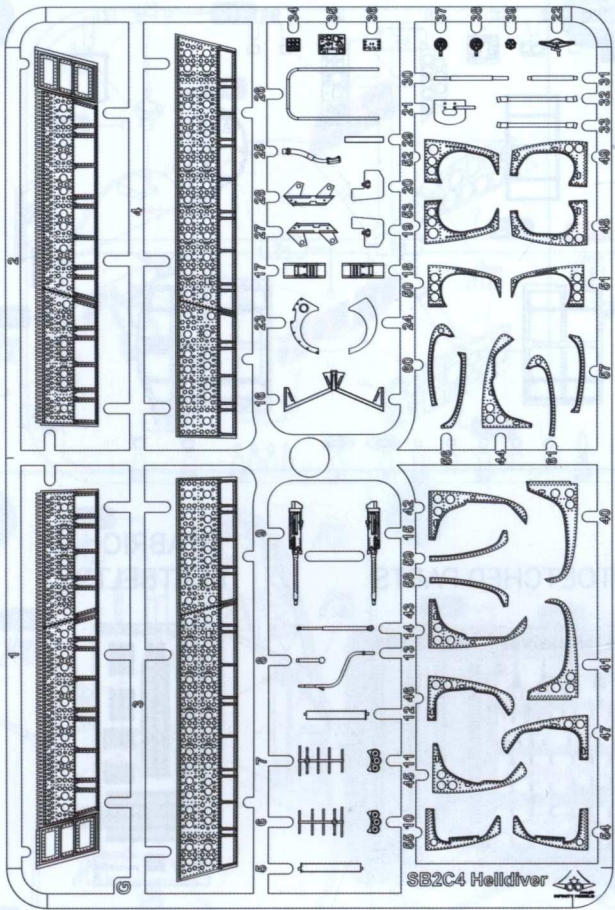


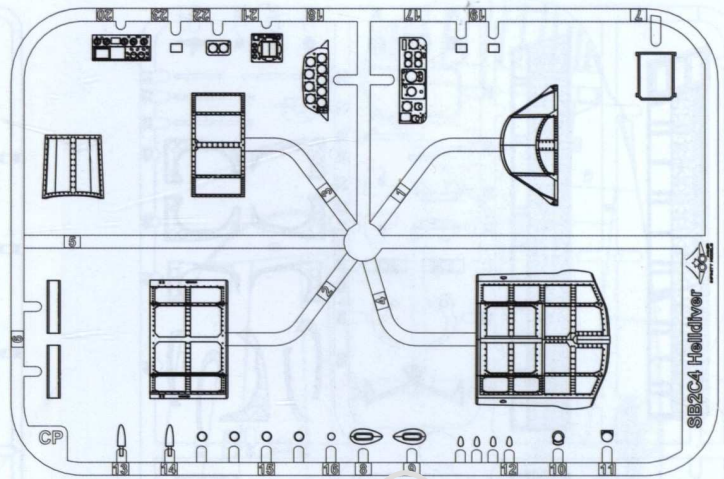
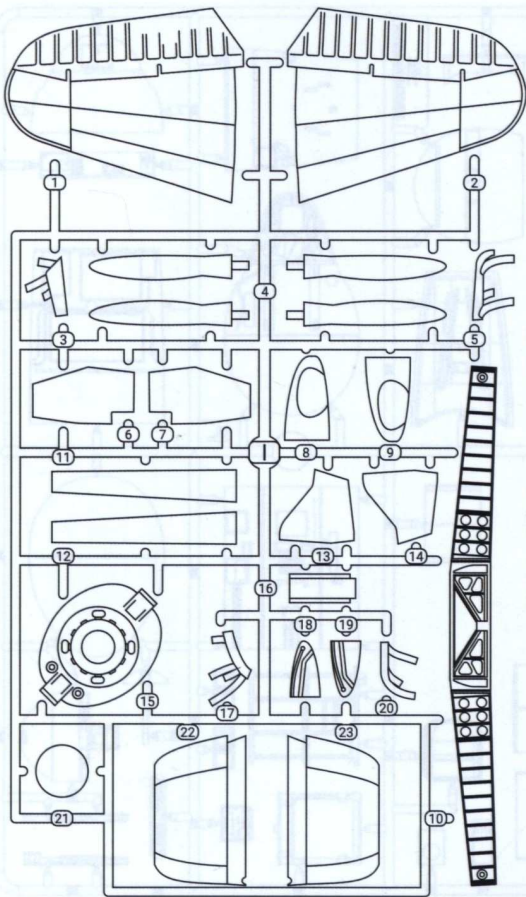
Symetrická montáž
Symmetrical assembly



PAINT COLORS

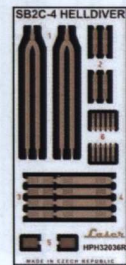
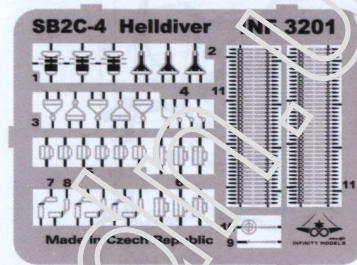
- | | | | | |
|--|--|--|---|--------------------------------|
| MRP-005
BLACK | MRP-268
GREEN CLEAR | MRP-004
WHITE | MRP-014
SEA BLUE ANA 623 | MRP-264
YELLOW CLEAR |
| MRP-131
INTERIOR GREEN ANA 611 | MRP-266
RED CLEAR | MRP-173
TYRE-RUBBER MATT | MRP-136
INTERMEDIATE BLUE ANA 608 | |
| MRP-009
WHITE ALUMINIUM | MRP-031
CHROME | MRP-149
GUN METAL | MRP-135
INSIGNIA WHITE ANA 601 | |
| MRP-F053
BLACK LEATHER | MRP-299
INSIGNIA RED - ANA 509 | MRP-148
EXHAUST METAL | MRP-137
JET BLACK ANA 622 | |
| MRP-128
SILVER METALLIC | MRP-234
OLIVE DRAB FS34087 | MRP-386
LEMON YELLOW FS13655 | MRP-267
BLUE CLEAR | |



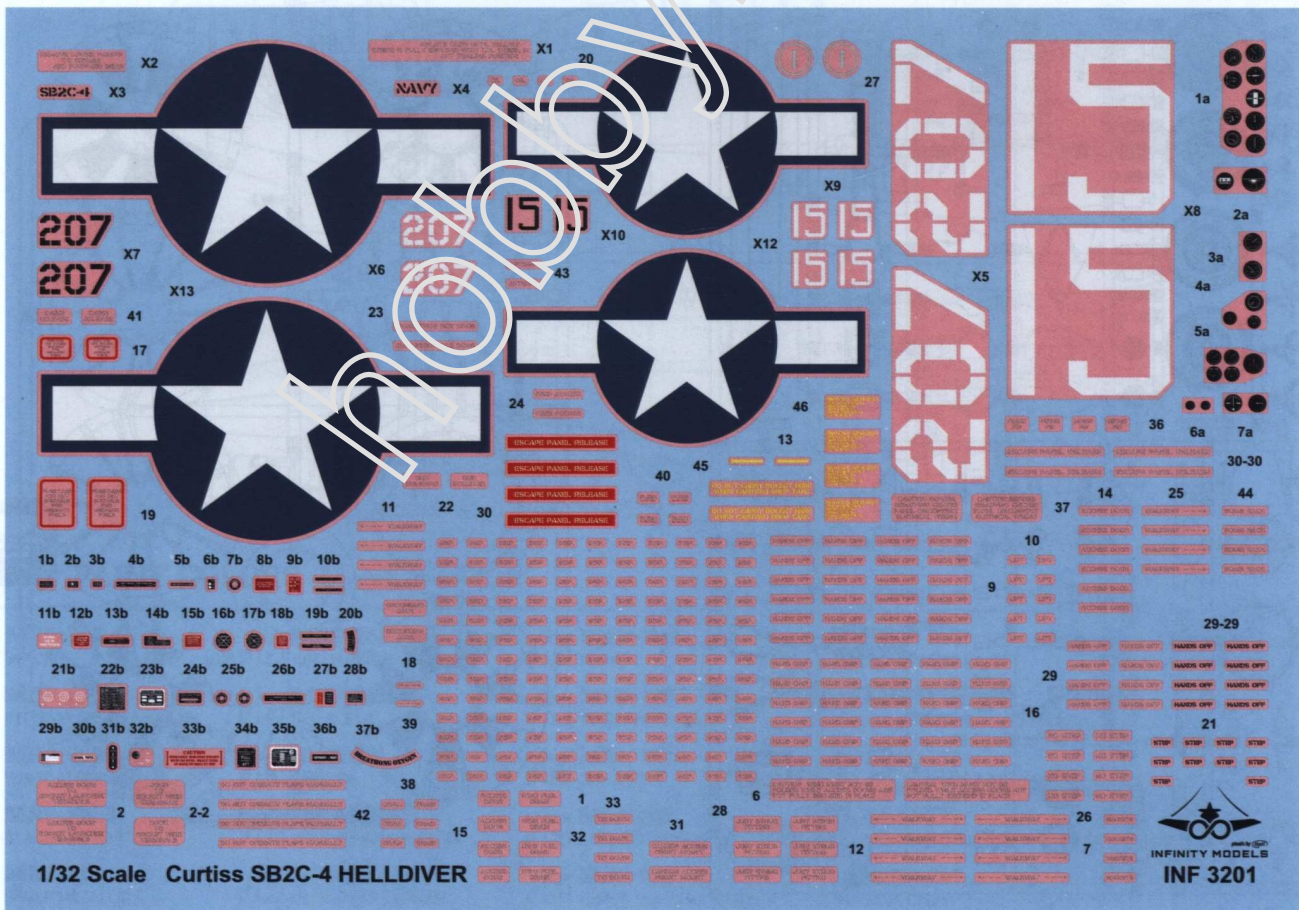


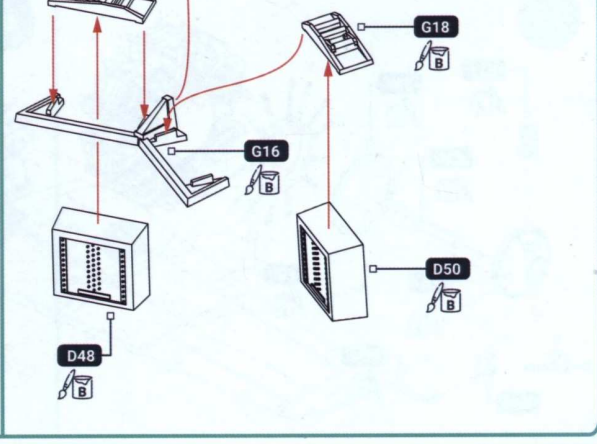
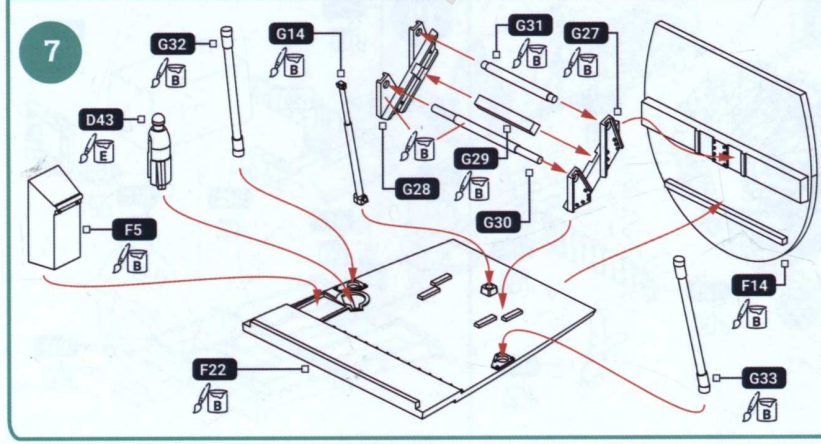
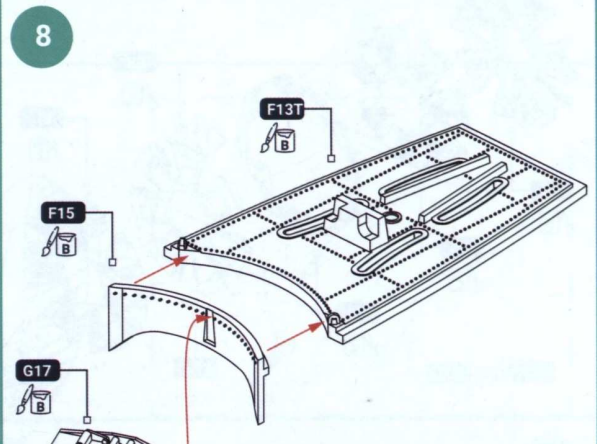
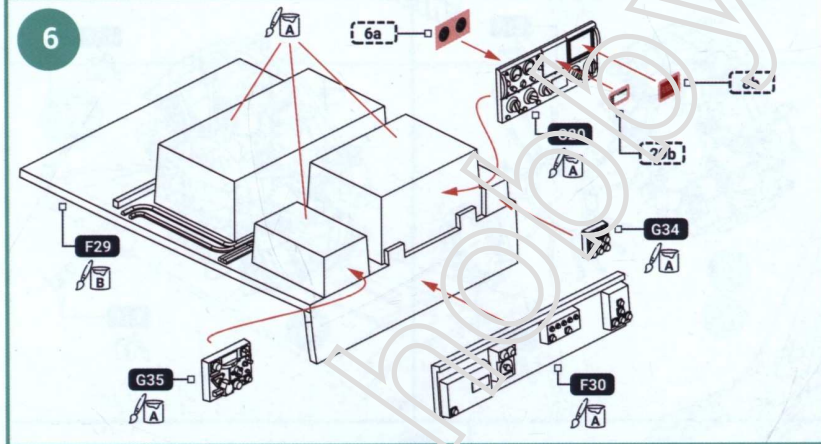
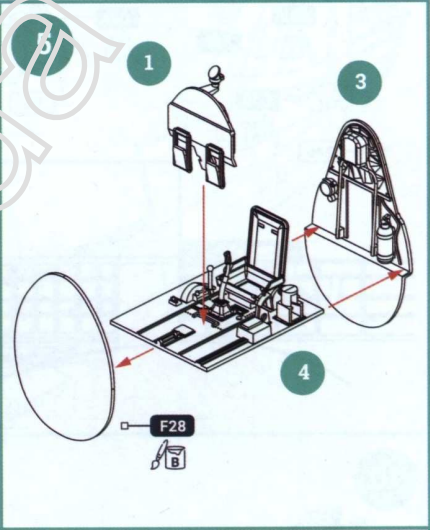
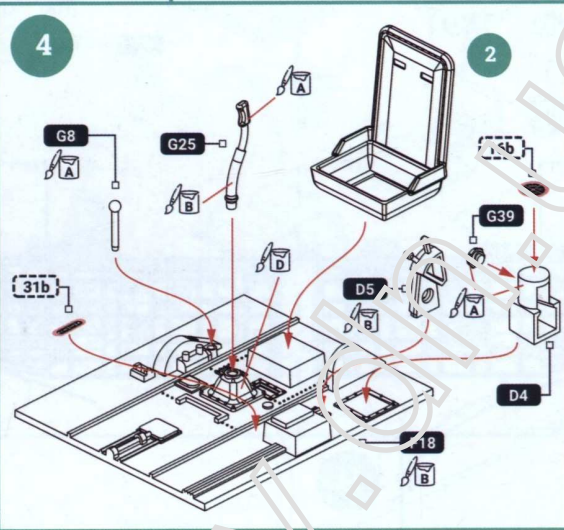
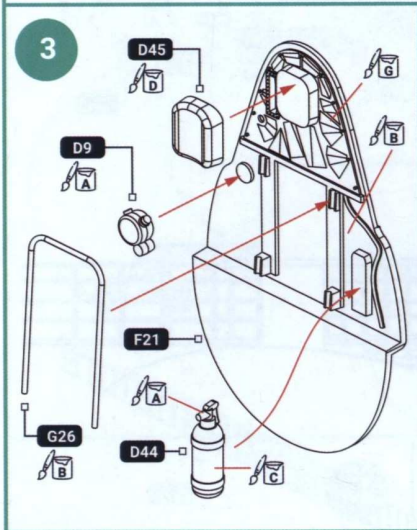
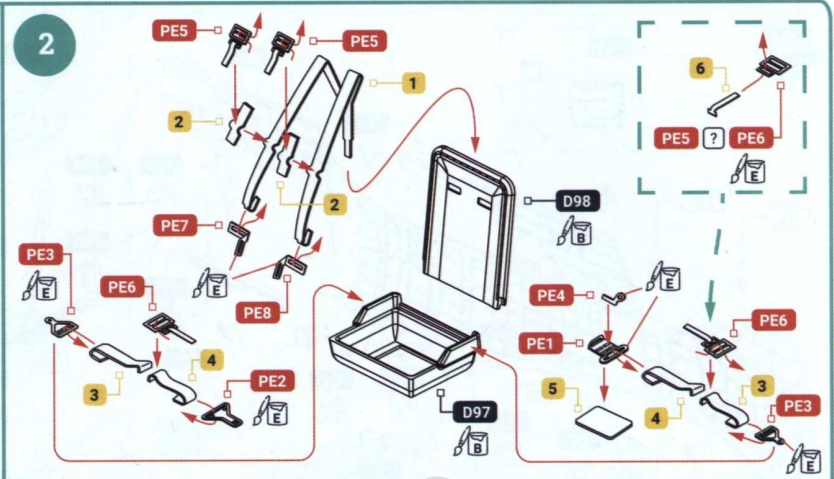
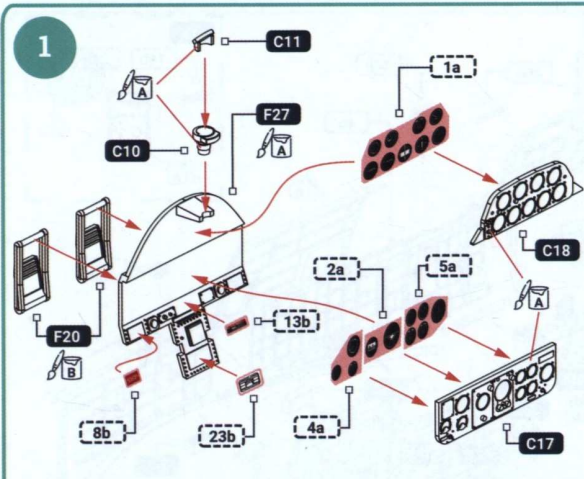
PHOTOETCHED PARTS

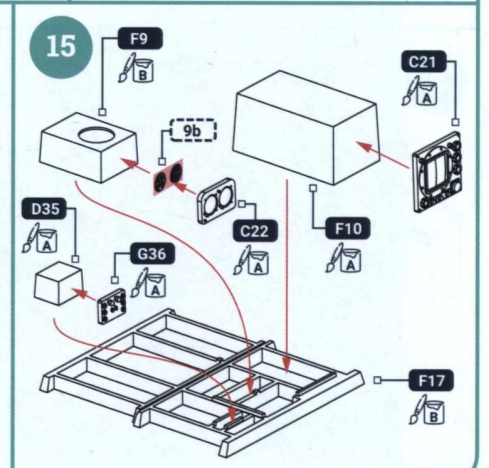
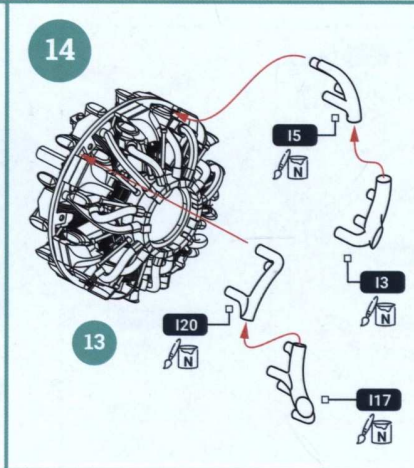
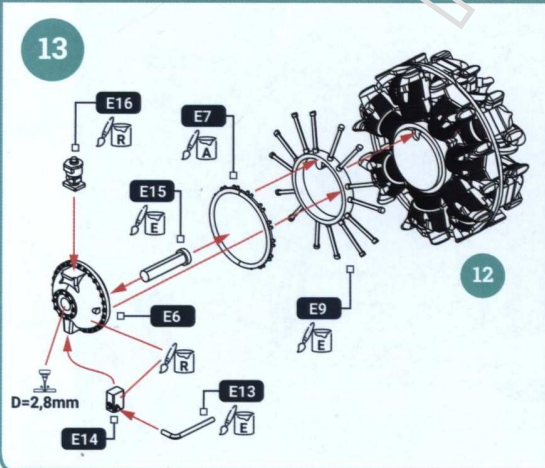
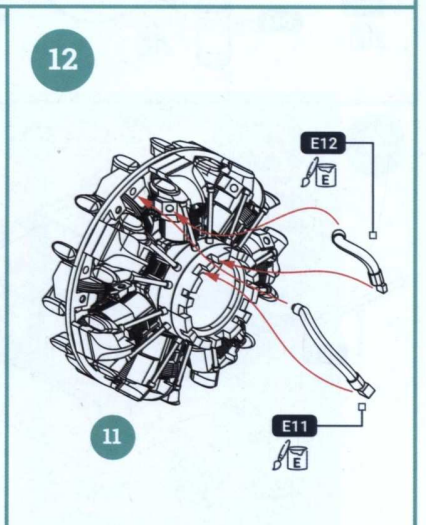
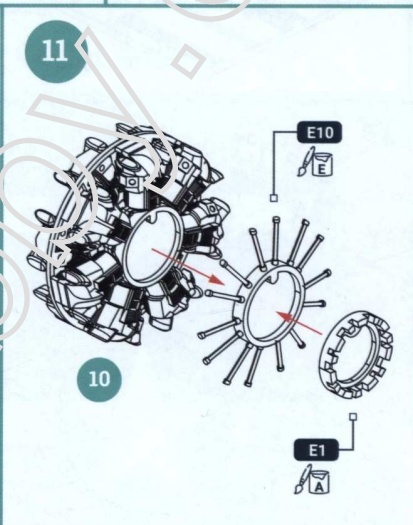
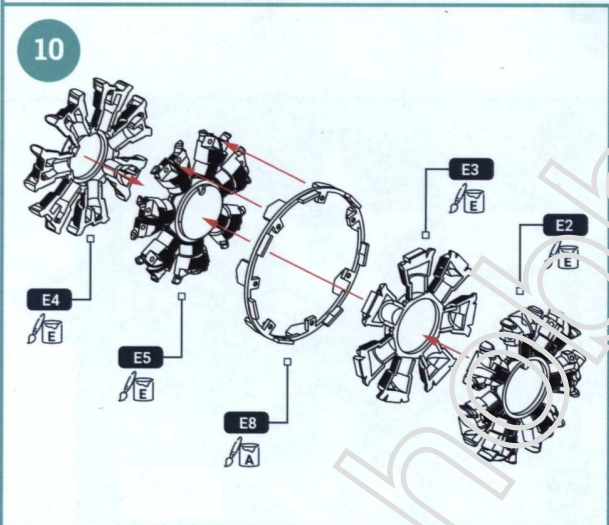
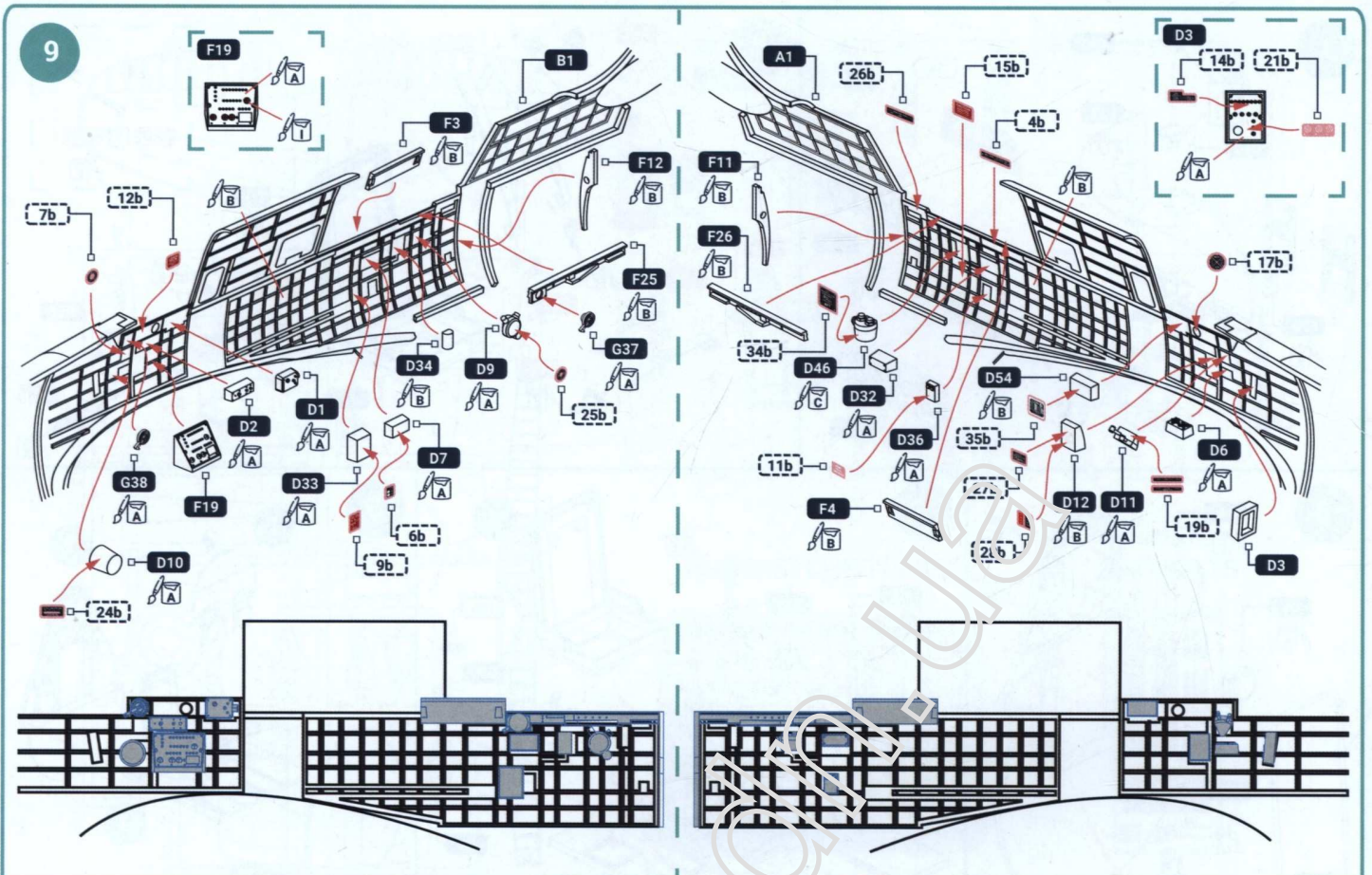
FABRIC SEATBELTS



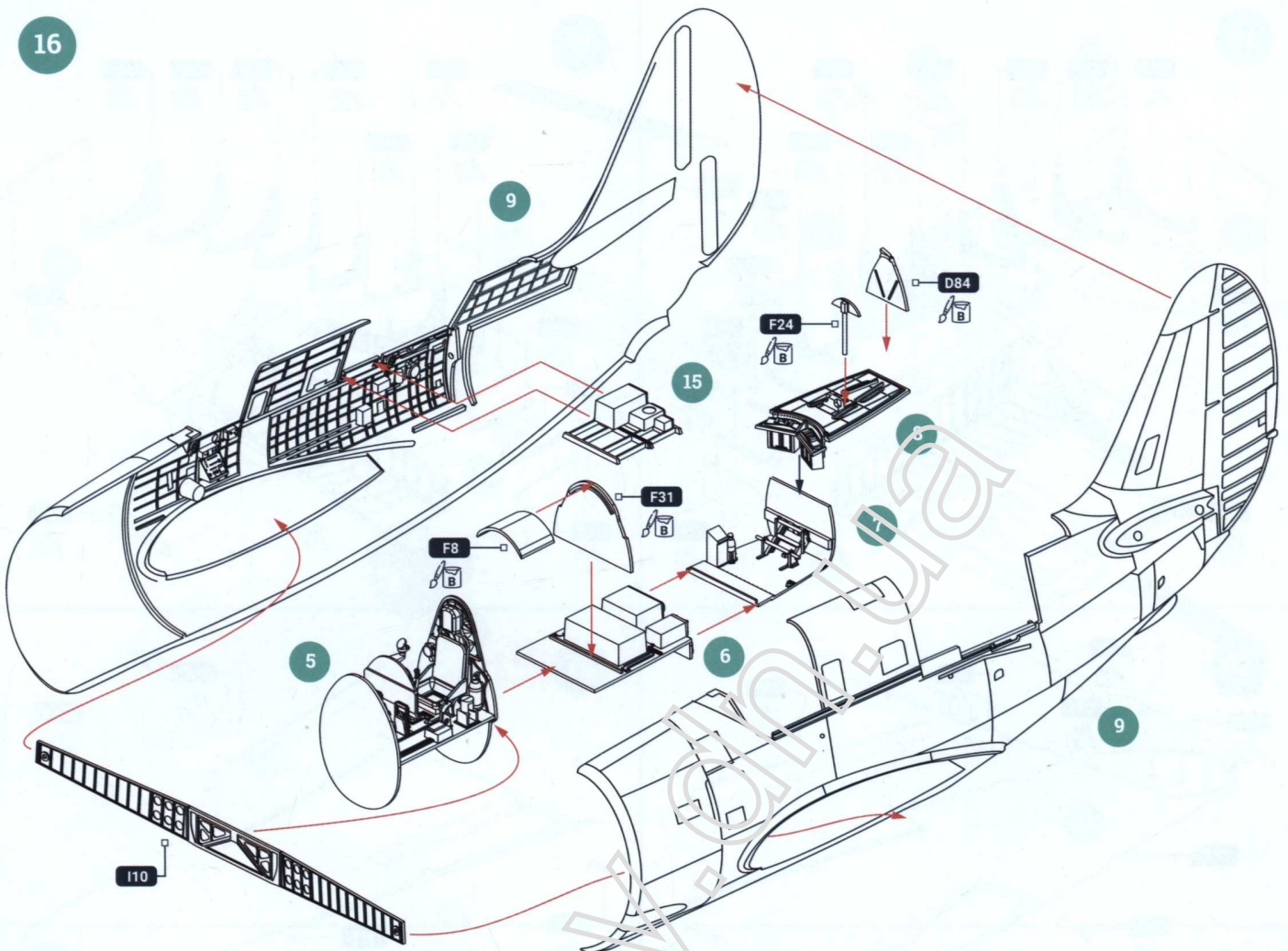
DECAL SHEET



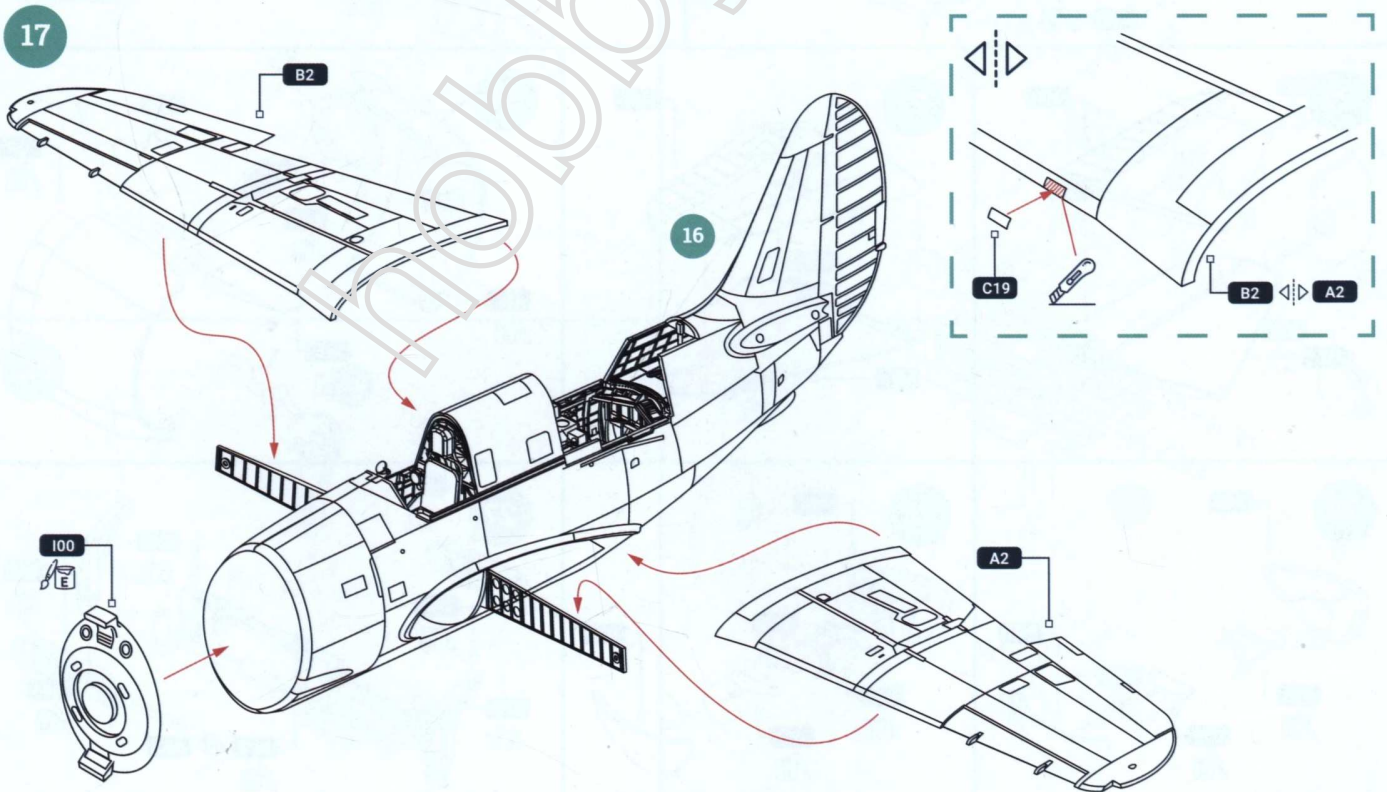




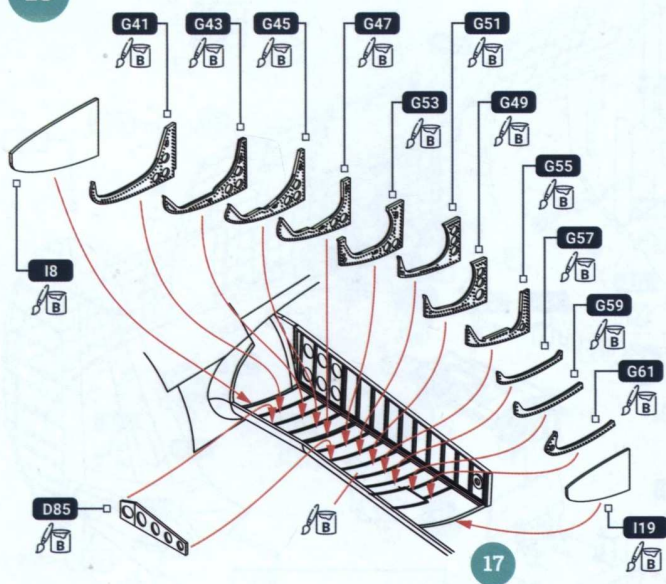
16



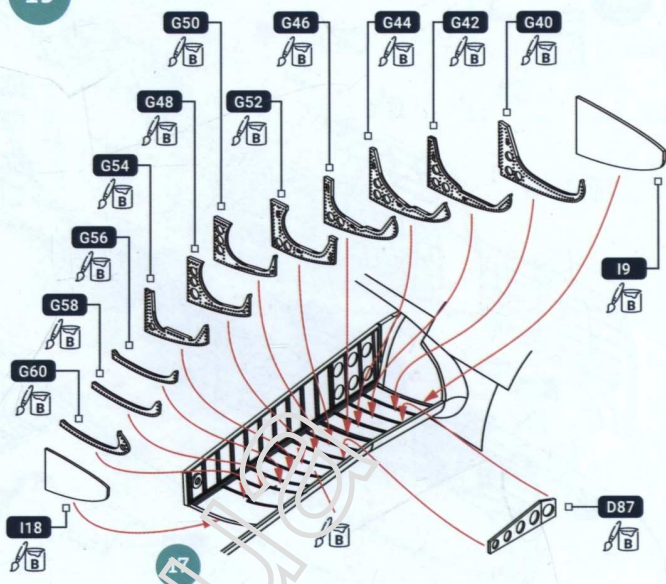
17



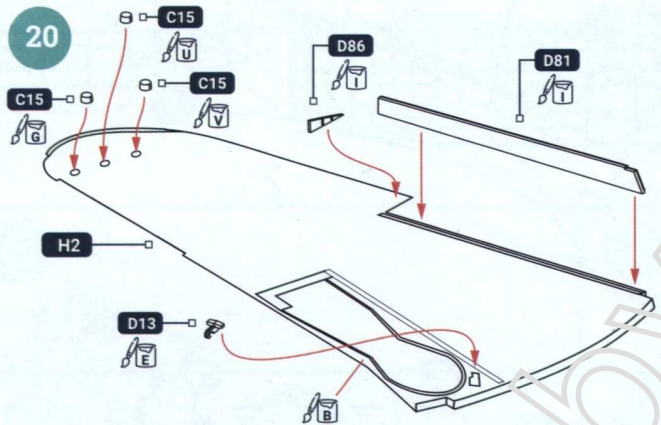
18



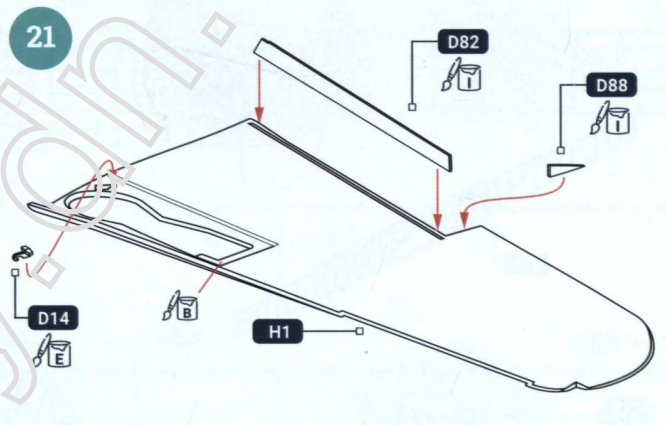
19



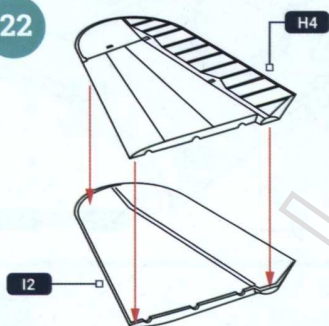
20



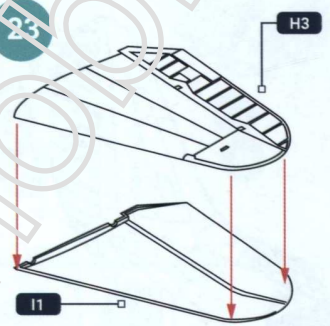
21



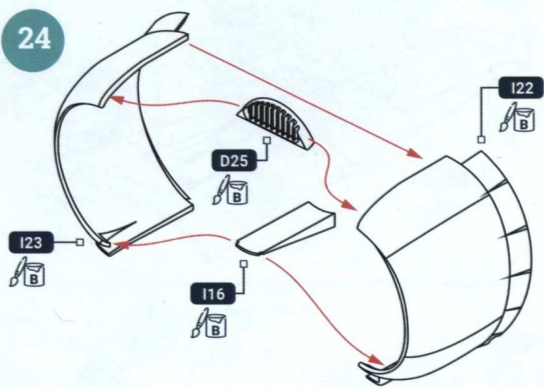
22



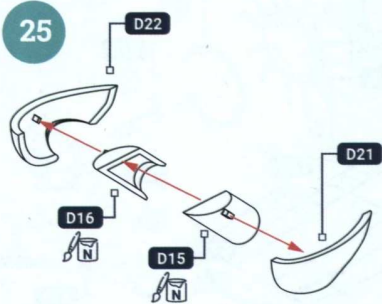
23



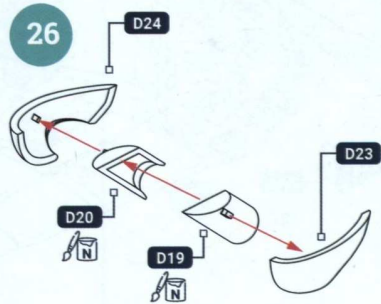
24



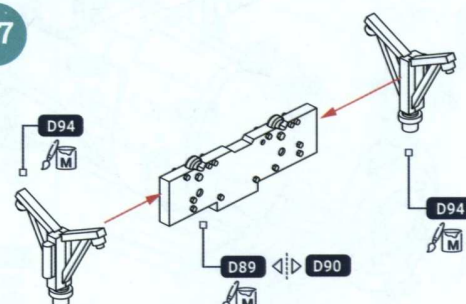
25



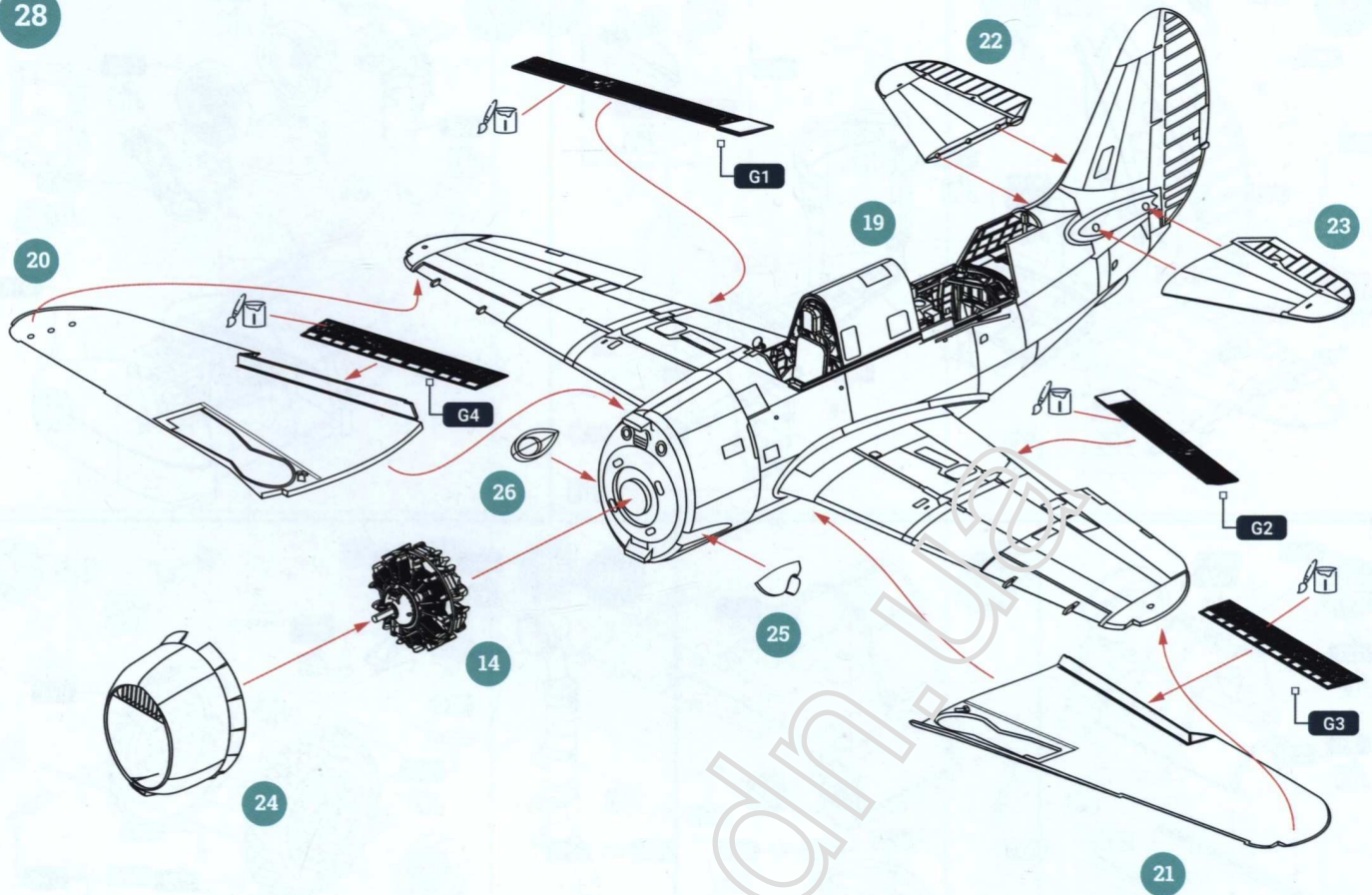
26



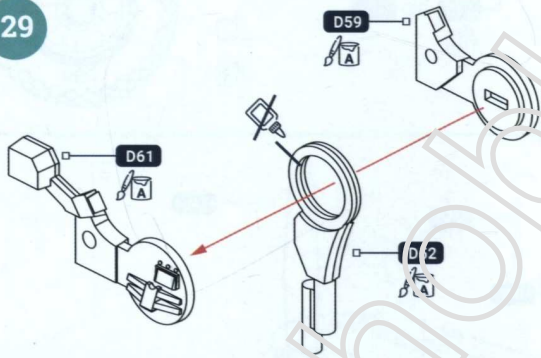
27



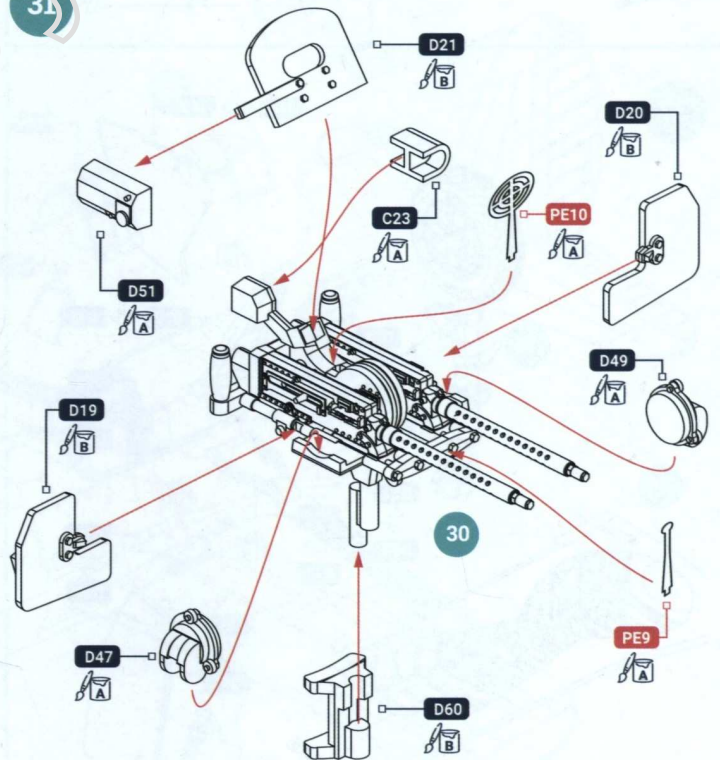
28



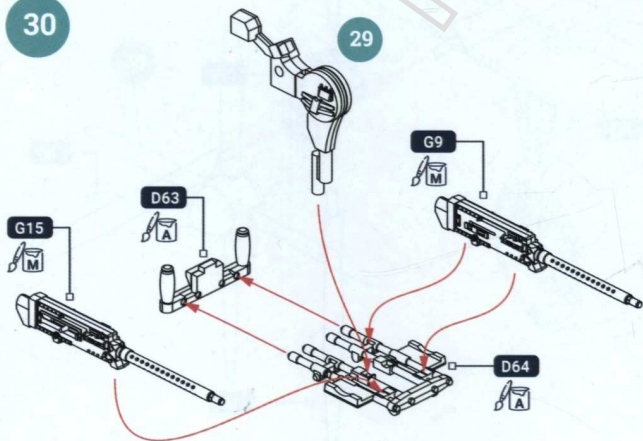
29



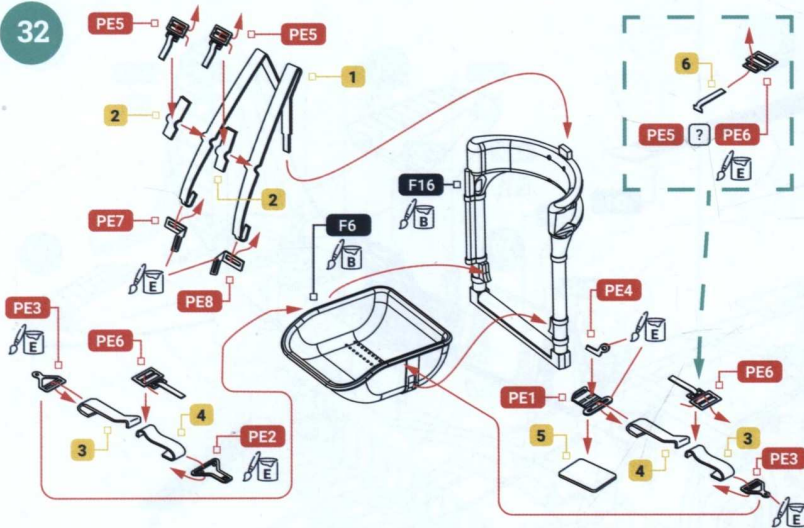
31



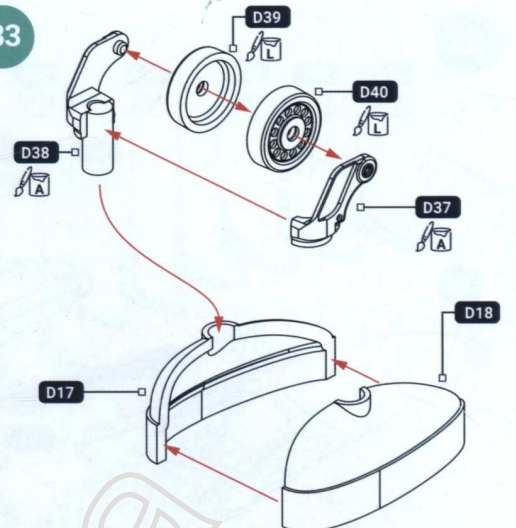
30



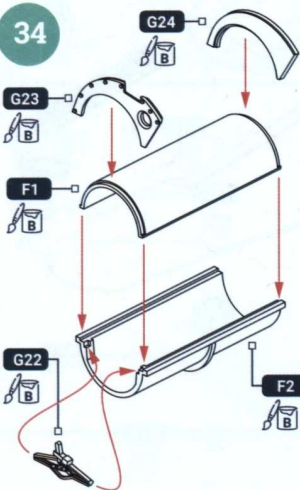
32



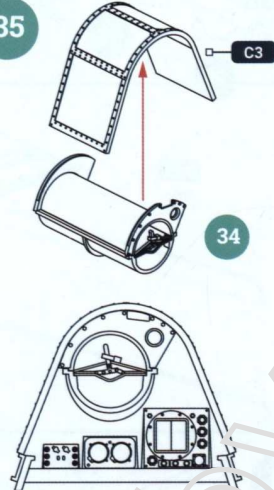
33



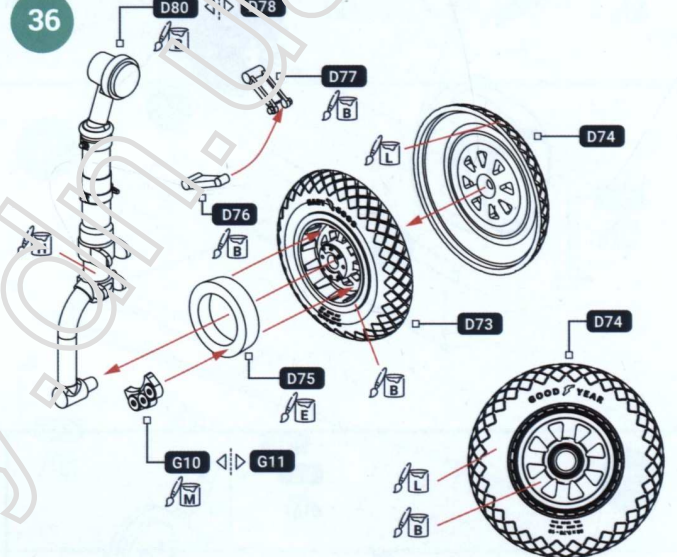
34



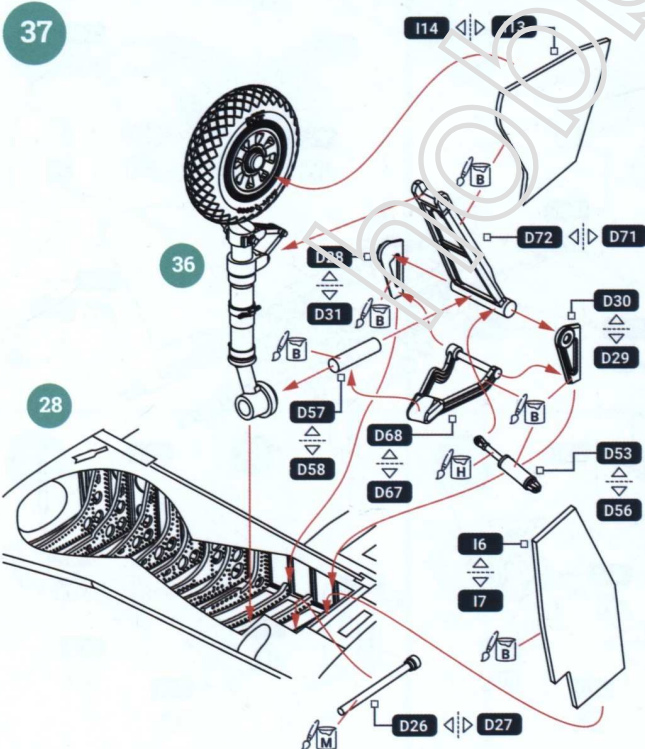
35



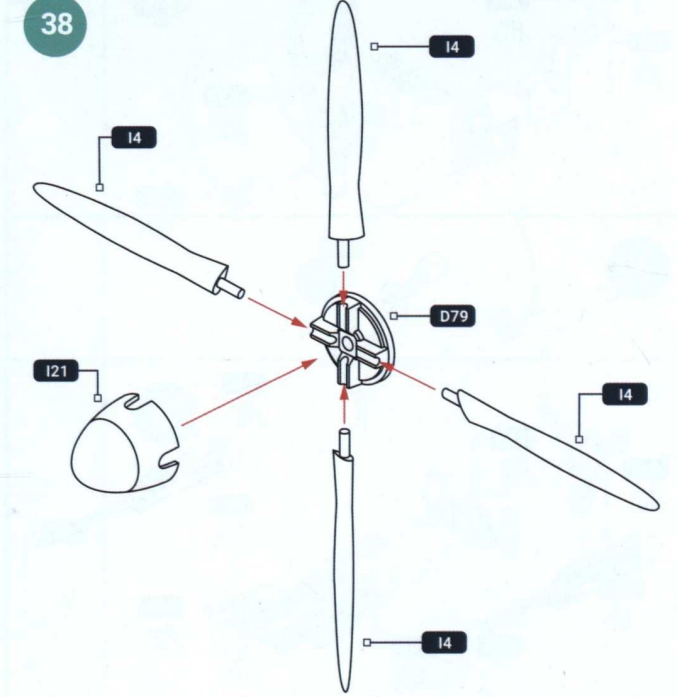
36

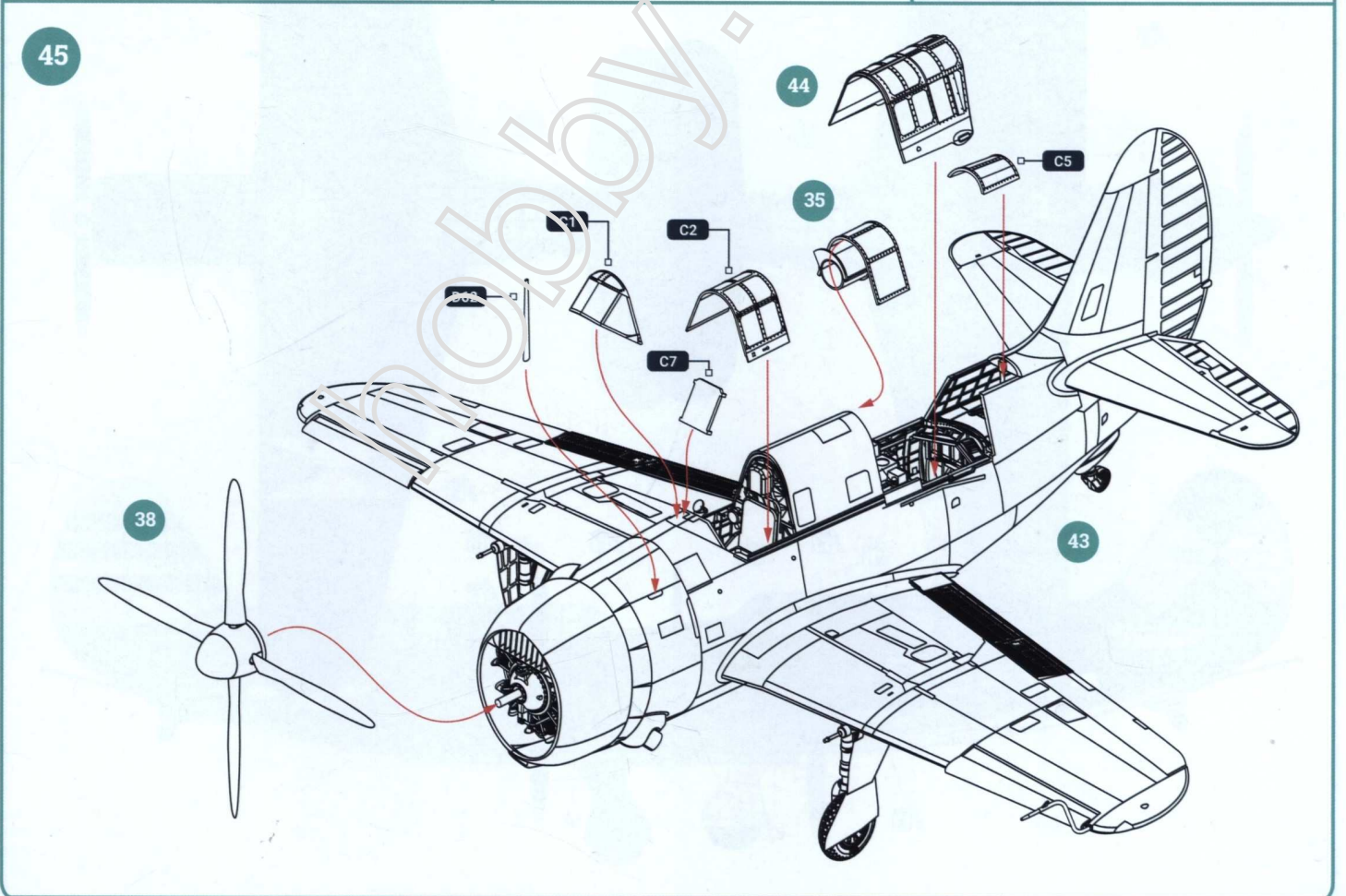
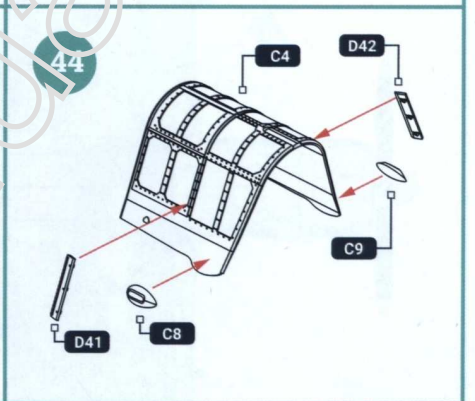
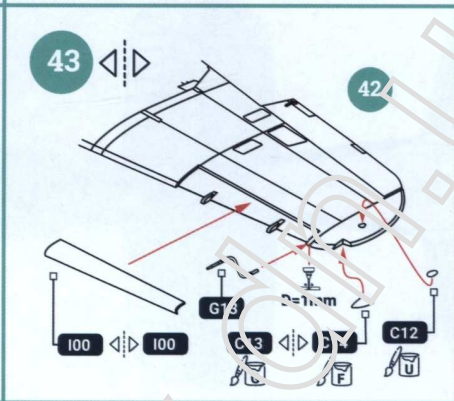
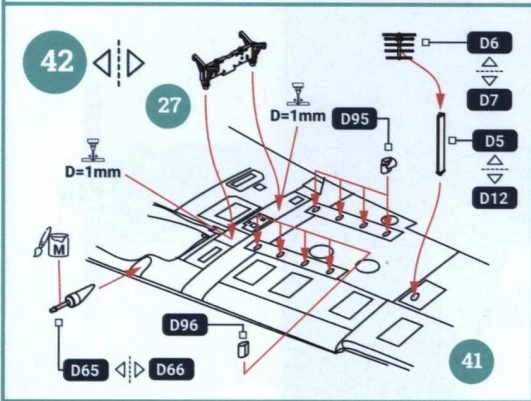
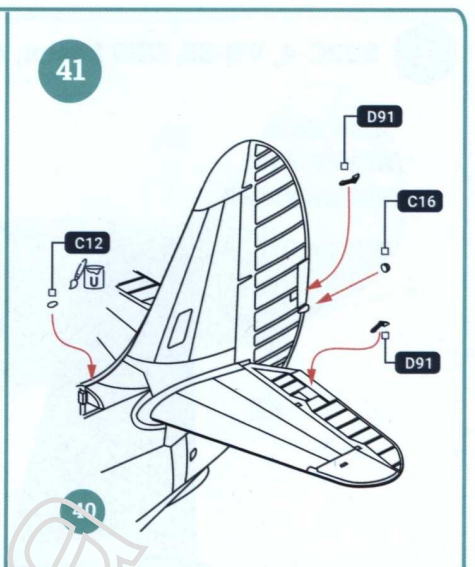
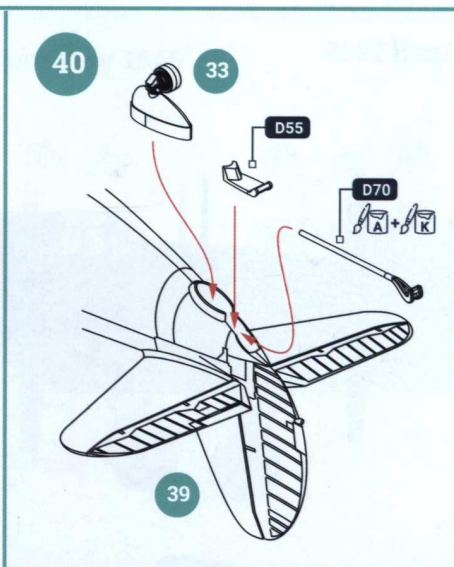
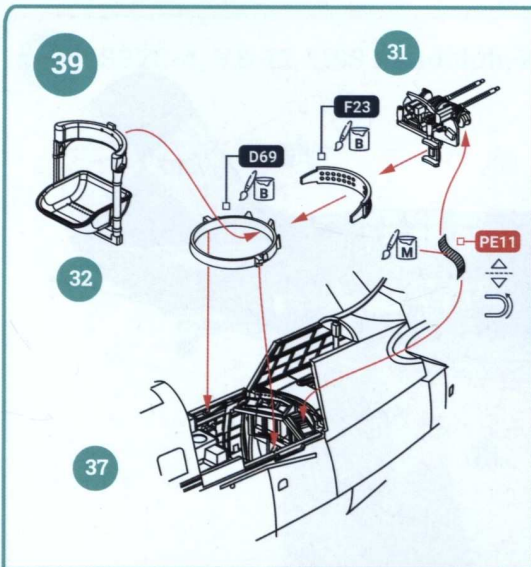


37

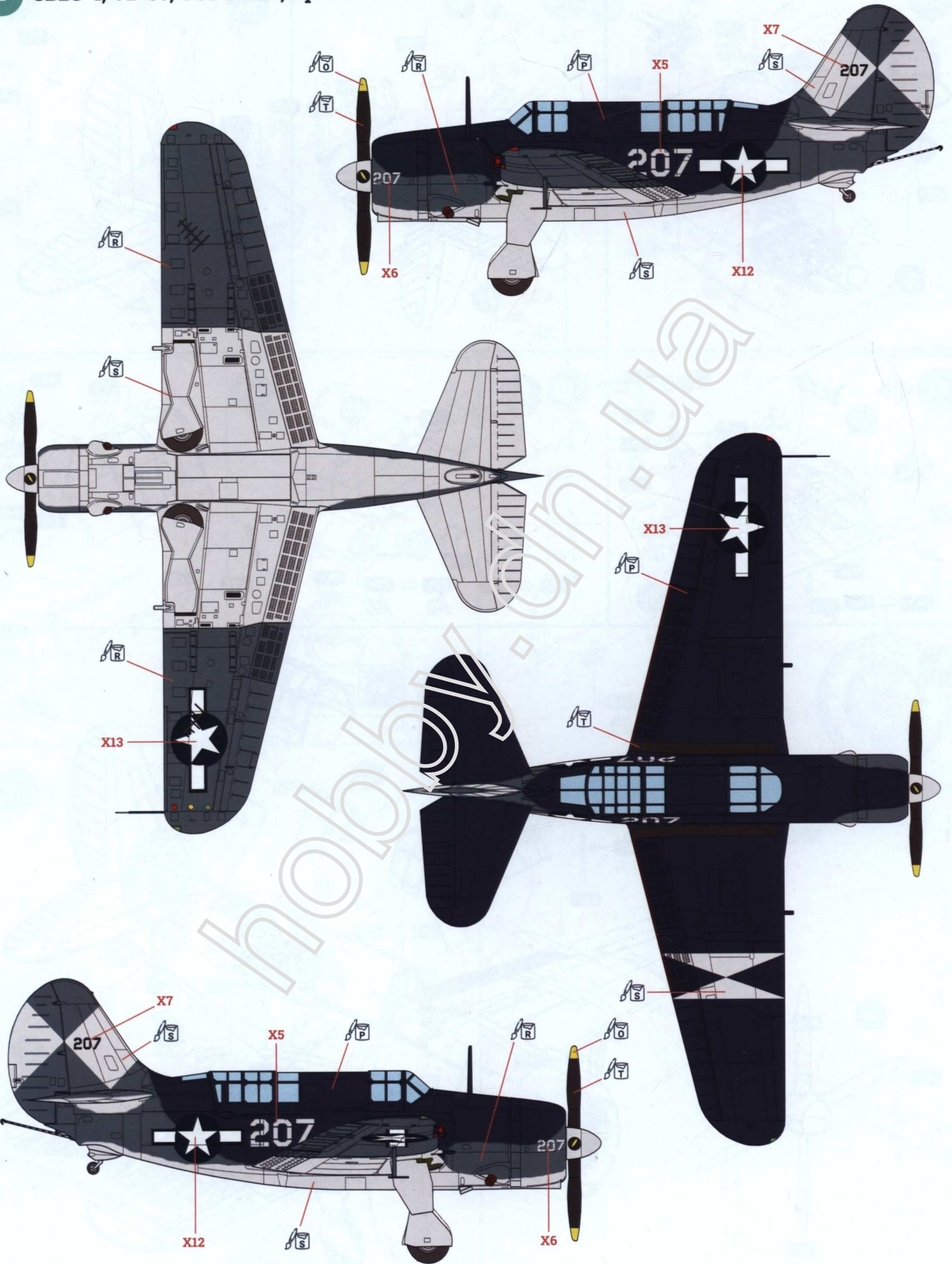


38





1 SB2C-4, VB-83, USS Essex, April 1945



2 SB2C-4, VB-12, USS Randolph, February 1945

