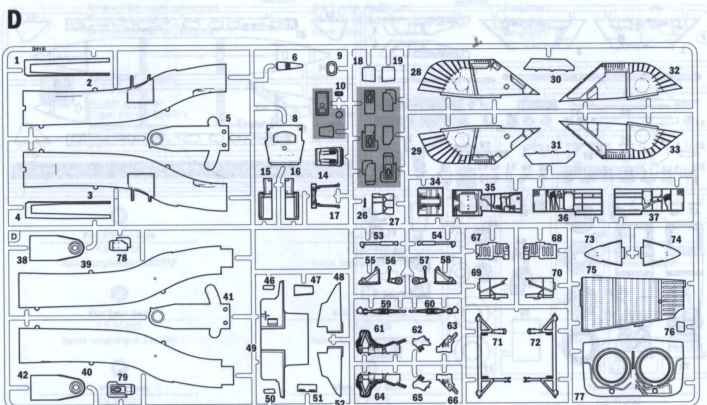
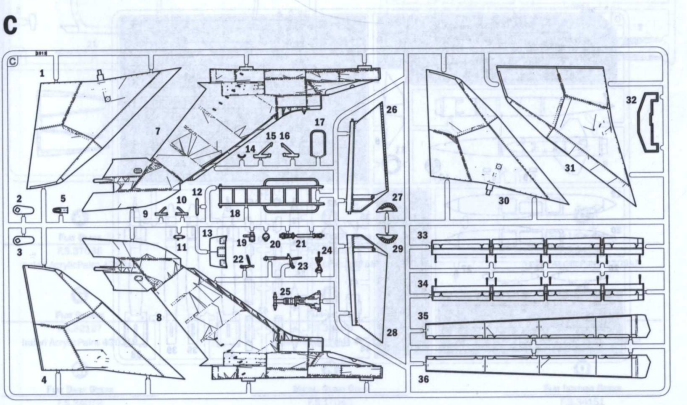
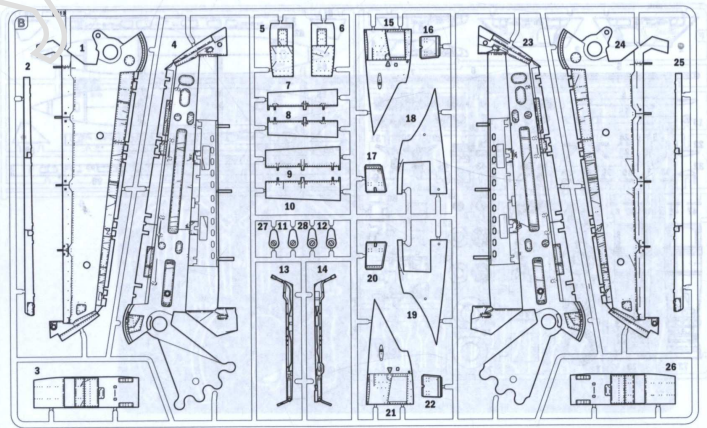
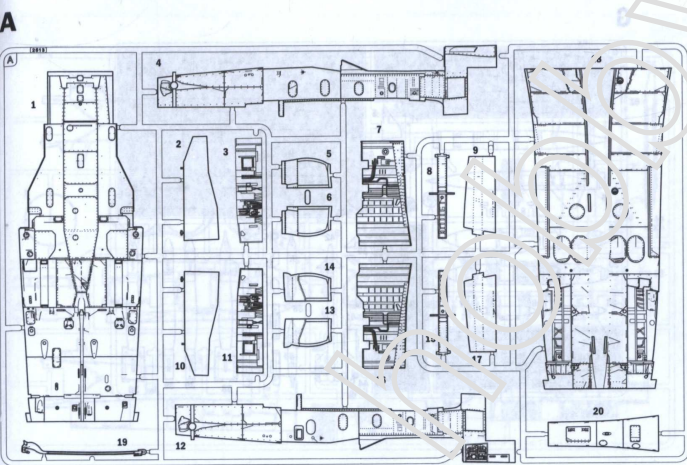
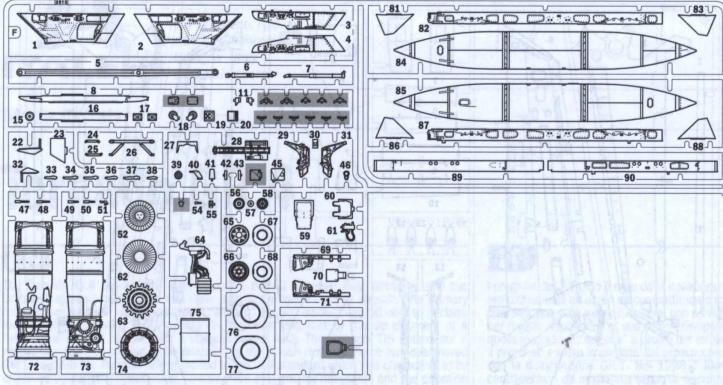
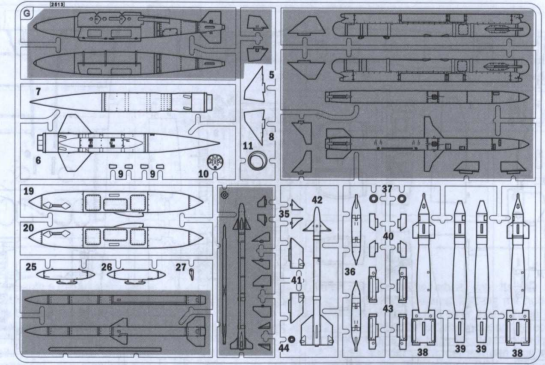
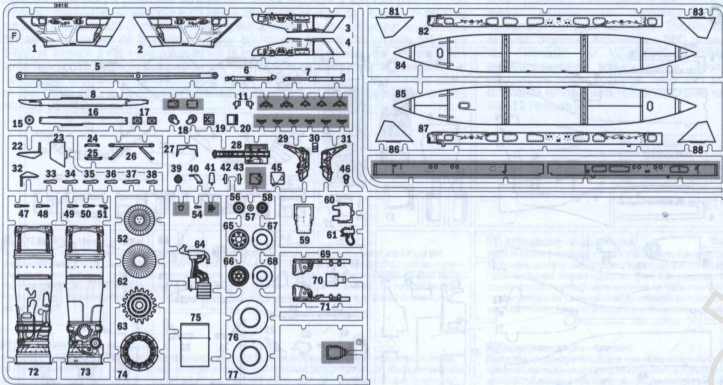
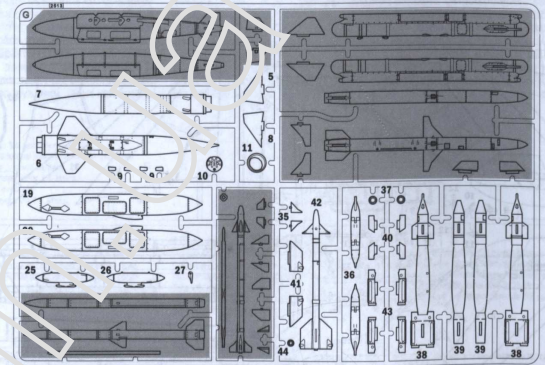
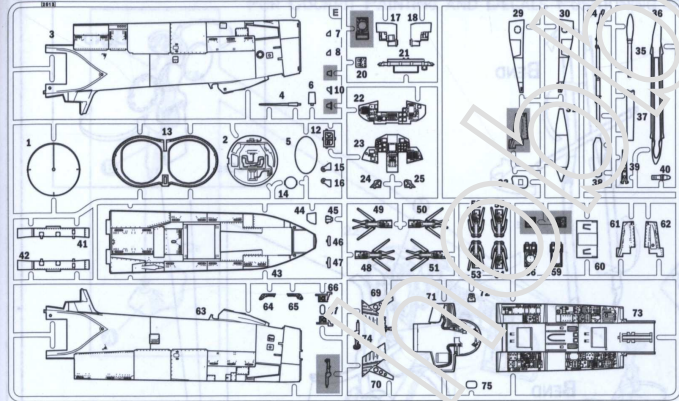
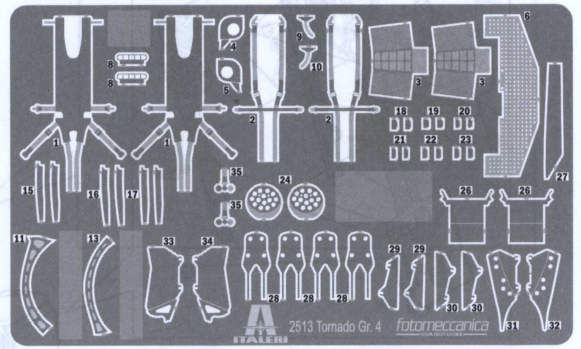
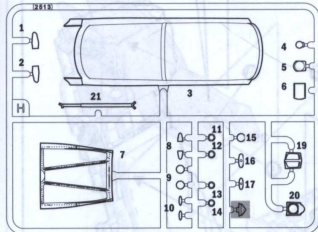
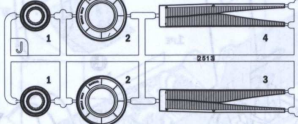


Tornado GR.4

Foglio istruzioni
Instruction sheet

1:32 scale
échelle
No 2513 model kit
modèle réduit



F**G****F****G****E****PE****H****J**

Parti da non utilizzare
Parts not for use
Pièces à ne pas utiliser
Telle werden niet verwendet
Partes a no utilizar
Onderdelen niet te gebruiken

Aprire i fori
Drill holes
Ouvrir les trous
Die Locher Ausbohren
Perforar los agujeros
Open gaten

Separare
Cut
Retrérer
Entfernen
Separar
Gesneden

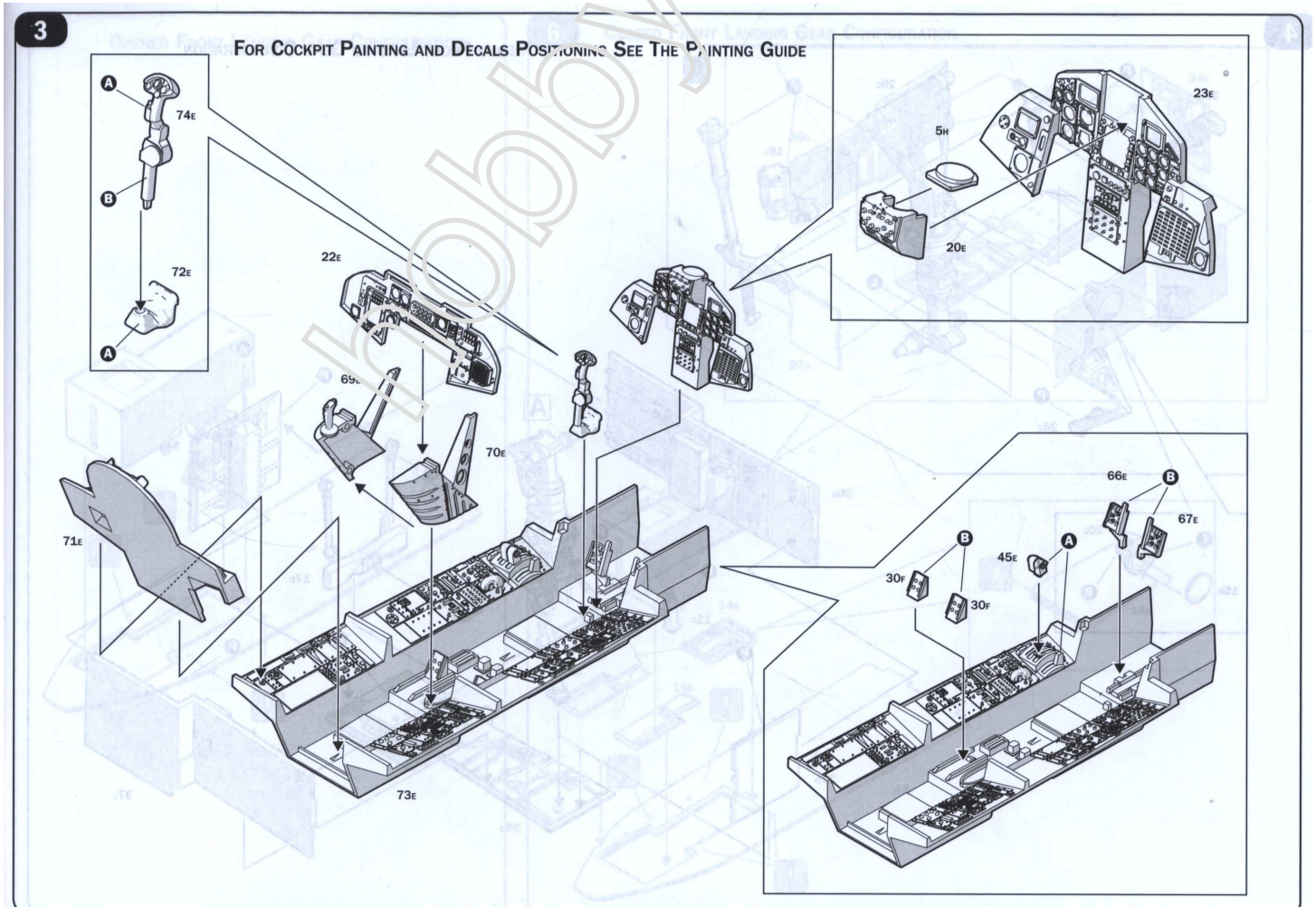
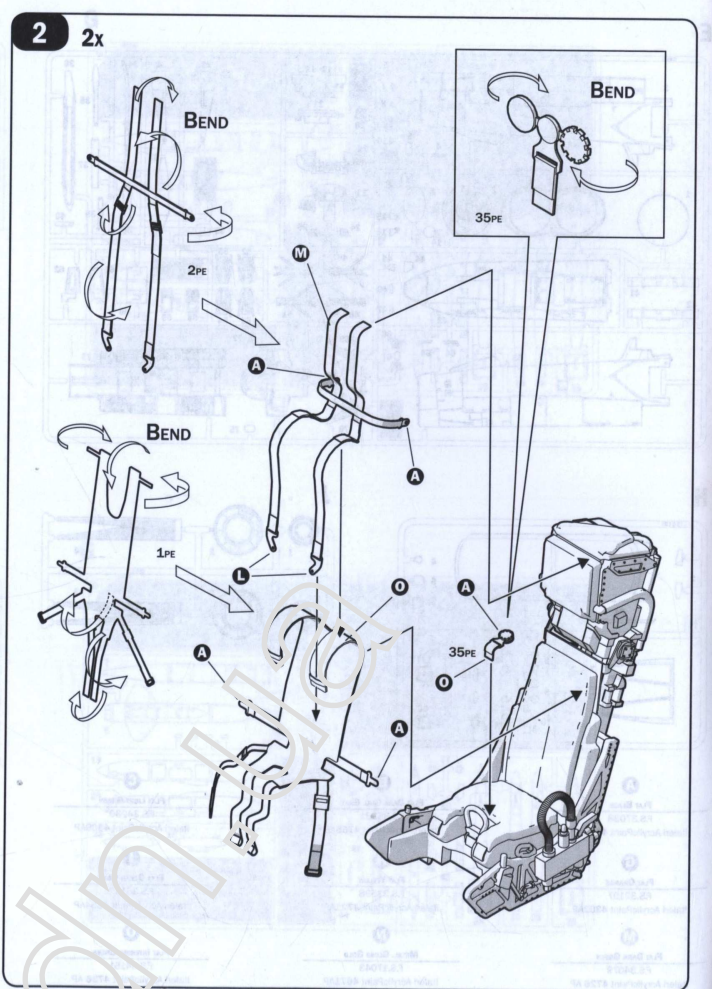
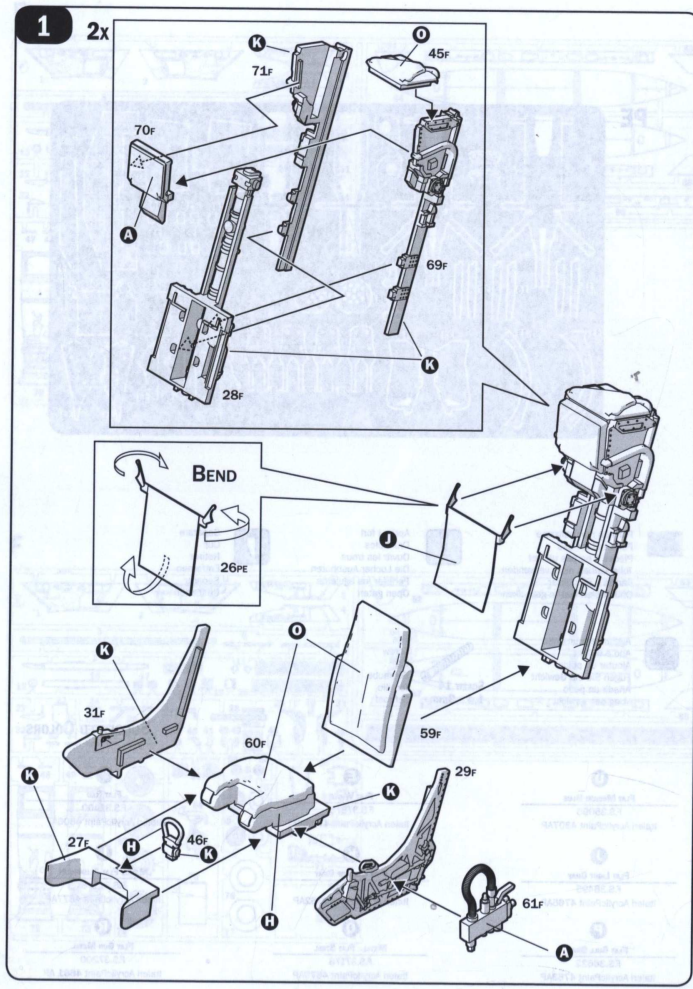
Aggiungere un peso
Add a weight
Ajouter un poids
Fügen Sie ein Gewicht
Añadir un peso
Voeg een gewicht

Vite
Screw
Vis
Schraube
Tornillo
Schroef

Screw 14
1,4 x 8mm

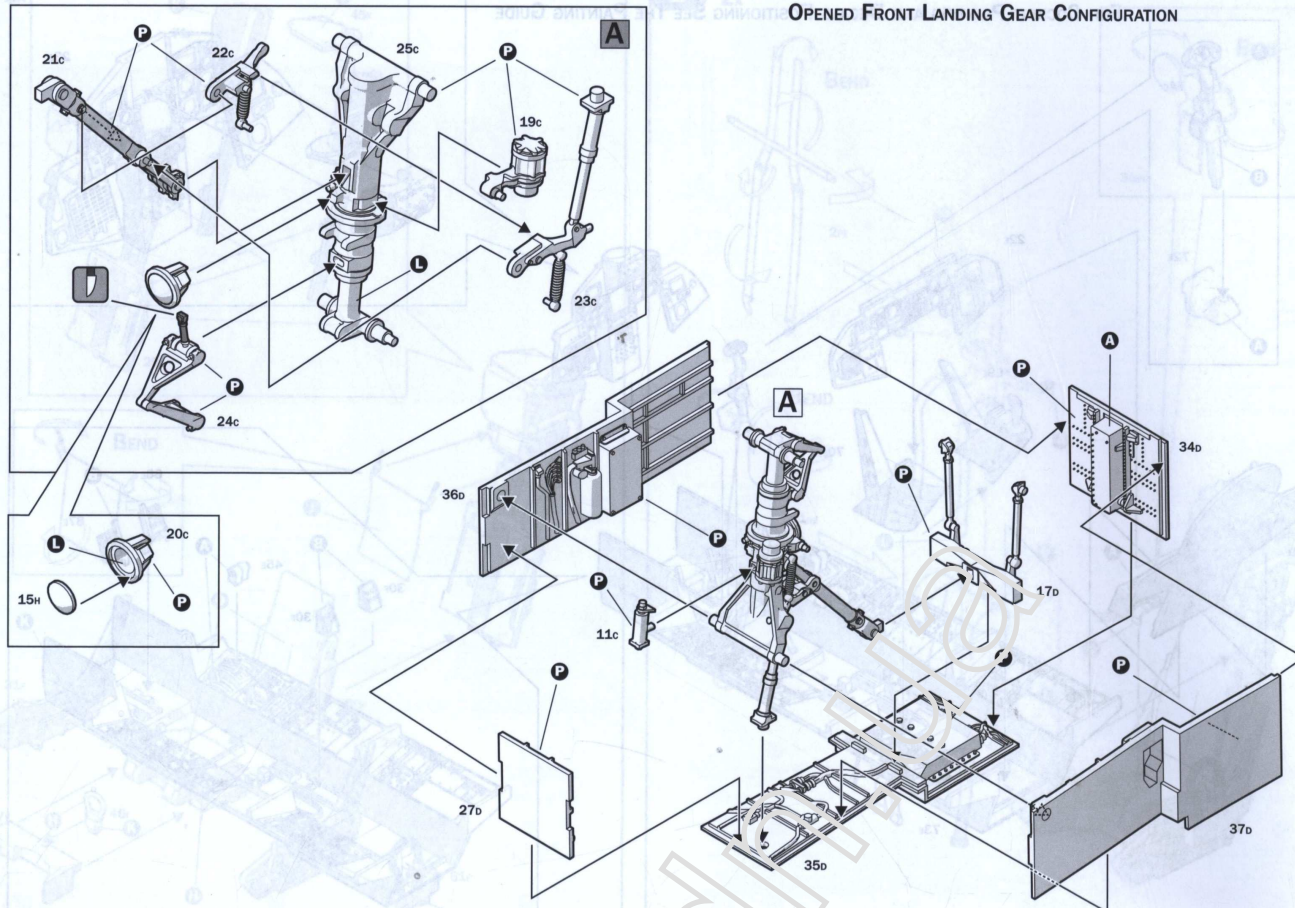
SUGGESTED COLORS

A FLAT BLACK F.S.37038 Italeri AcrylicPaint 4768AP	B FLAT DARK GULL GRAY F.S.36231 Italeri AcrylicPaint 4755AP	C FLAT LIGHT GREEN F.S.34230 Italeri AcrylicPaint 4309AP	D FLAT MEDIUM BLUE F.S.35095 Italeri AcrylicPaint 4307AP	E FLAT WHITE F.S.37875 Italeri AcrylicPaint 4769AP	F FLAT RED F.S.31400 Italeri AcrylicPaint 4606AP
G FLAT ORANGE F.S.32197 Italeri AcrylicPaint 4302AP	H FLAT YELLOW F.S.33539 Italeri AcrylicPaint 4721AP	I FLAT OCEAN GRAY F.S.36152 Italeri AcrylicPaint 4854AP	J FLAT LIGHT GRAY F.S.36495 Italeri AcrylicPaint 4765AP	K FLAT OCEAN GRAY F.S.36118 Italeri AcrylicPaint 4752AP	L METAL FLAT ALUMINIUM F.S.31178 Italeri AcrylicPaint 4677AP
M FLAT DARK GREEN F.S.34079 Italeri AcrylicPaint 4726 AP	N METAL GLOSS GOLD F.S.17043 Italeri AcrylicPaint 4671AP	O FLAT INTERIOR GREEN F.S.34151 Italeri AcrylicPaint 4736 AP	P FLAT GULL GRAY F.S.36622 Italeri AcrylicPaint 4763AP	Q METAL FLAT STEEL F.S.37178 Italeri AcrylicPaint 4679AP	R FLAT GUN METAL F.S.37200 Italeri AcrylicPaint 4681 AP



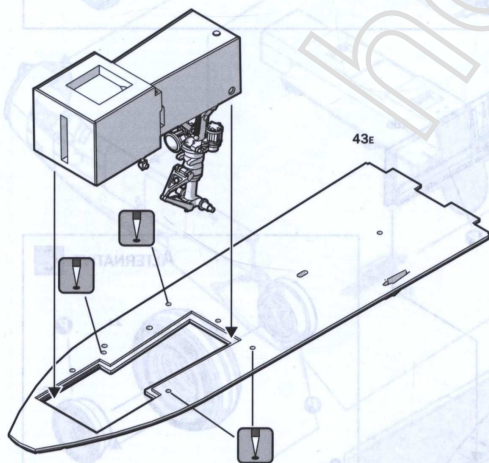
4

OPENED FRONT LANDING GEAR CONFIGURATION



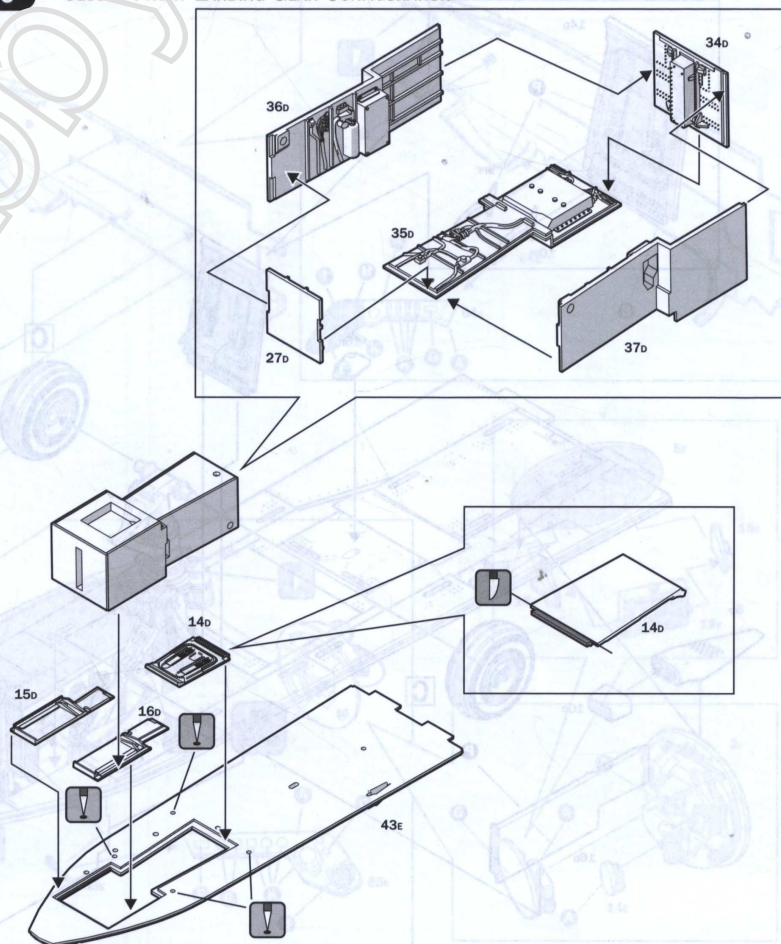
5

OPENED FRONT LANDING GEAR CONFIGURATION

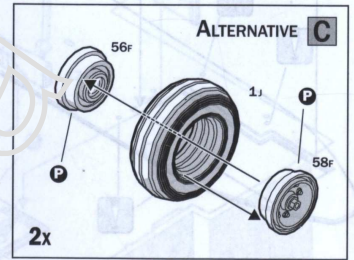
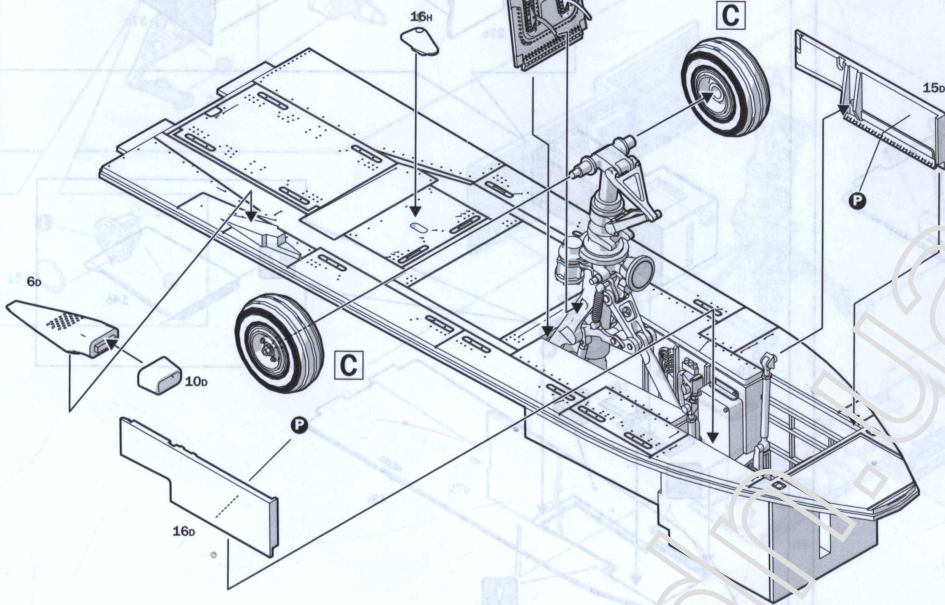
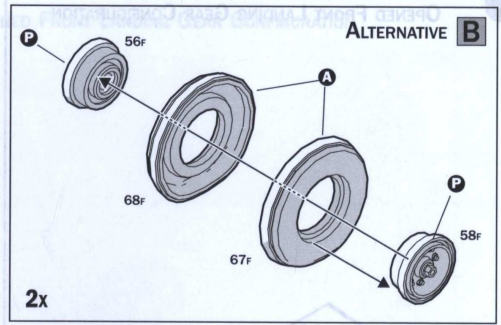
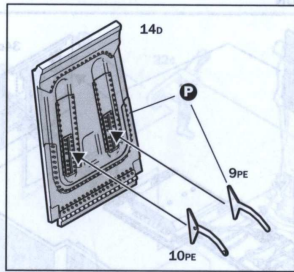


6

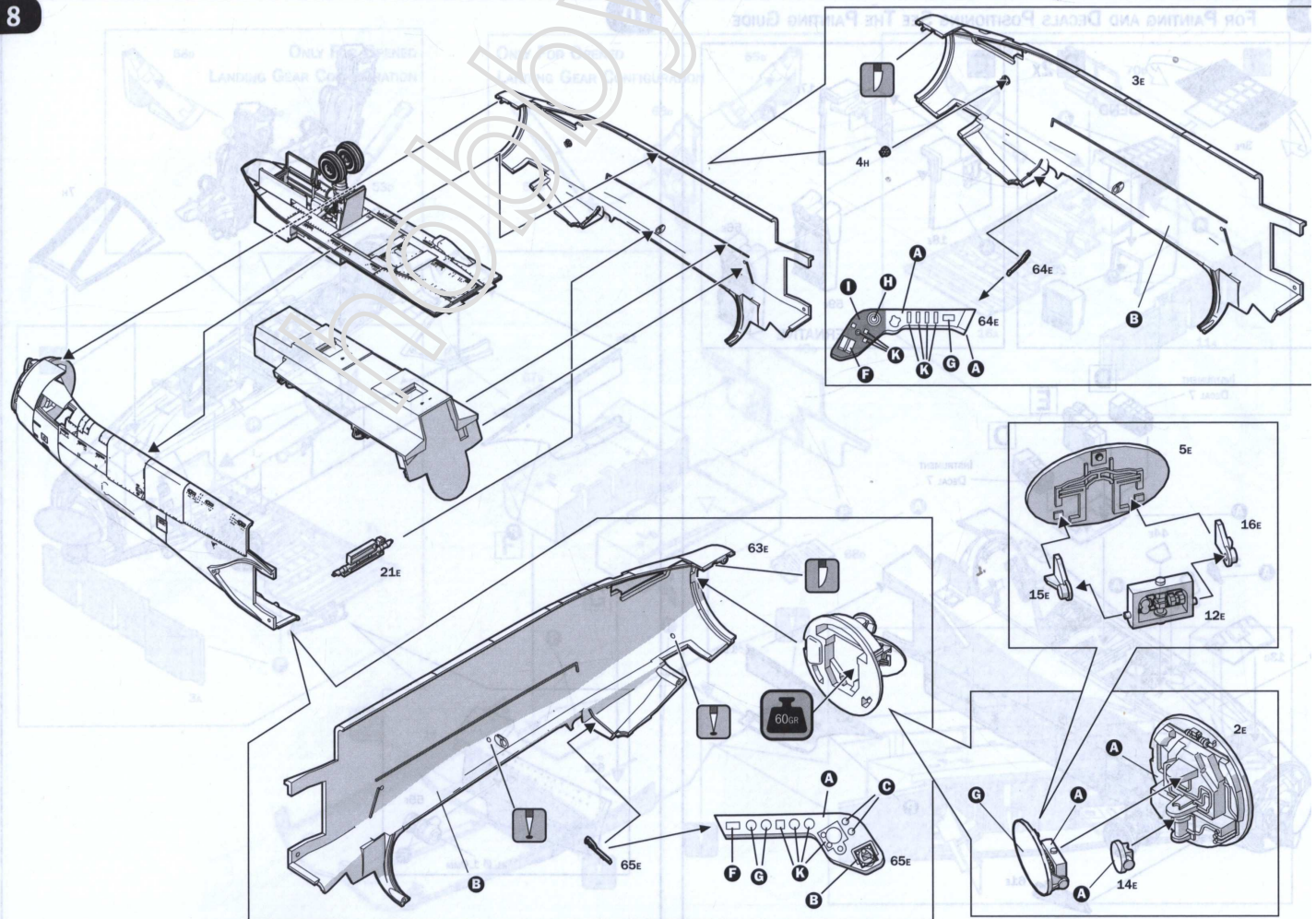
CLOSED FRONT LANDING GEAR CONFIGURATION



7

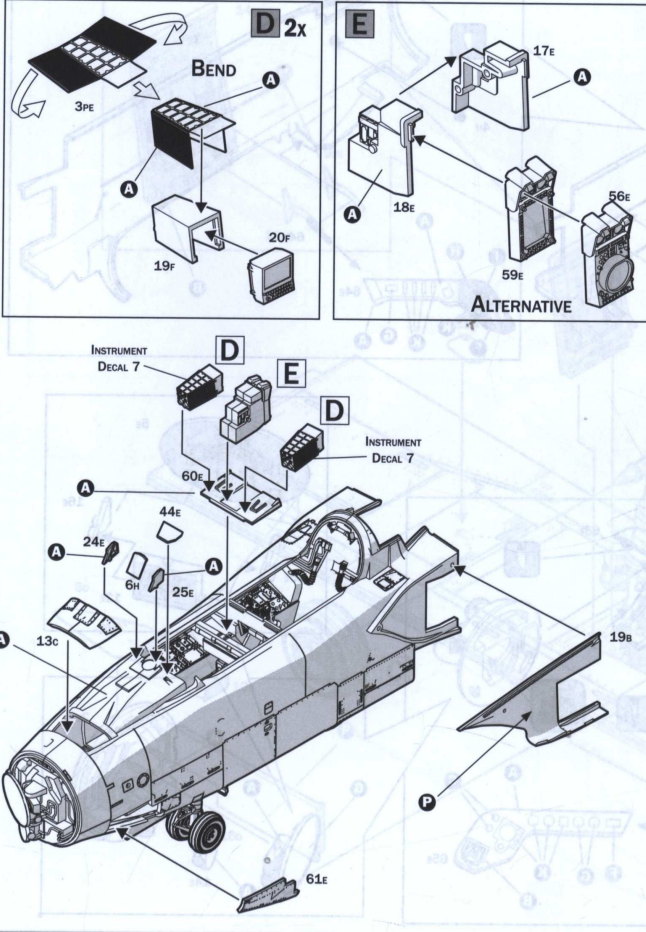


8

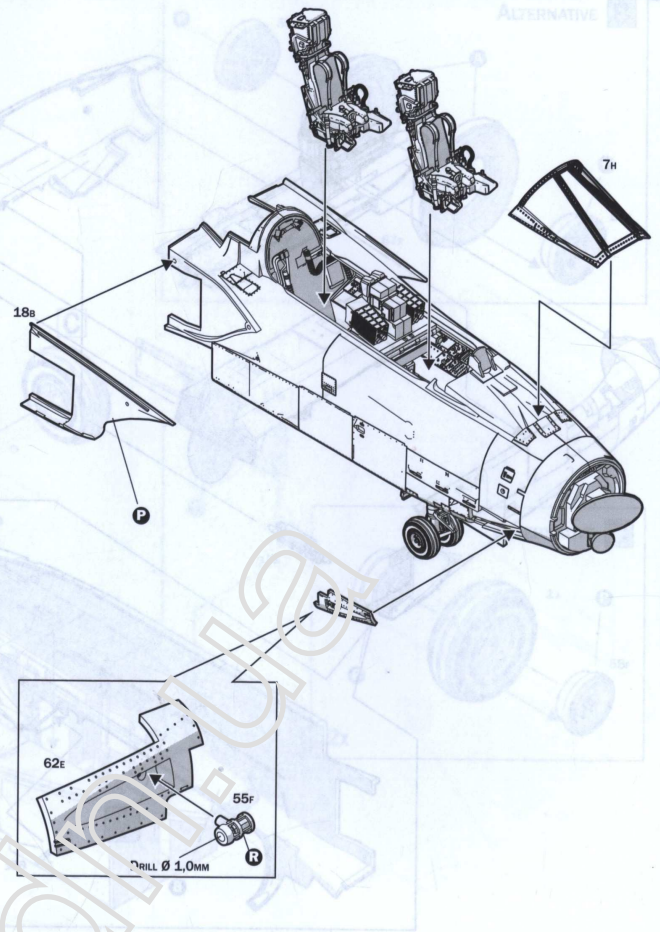


9

FOR PAINTING AND DECALS POSITIONING SEE THE PAINTING GUIDE

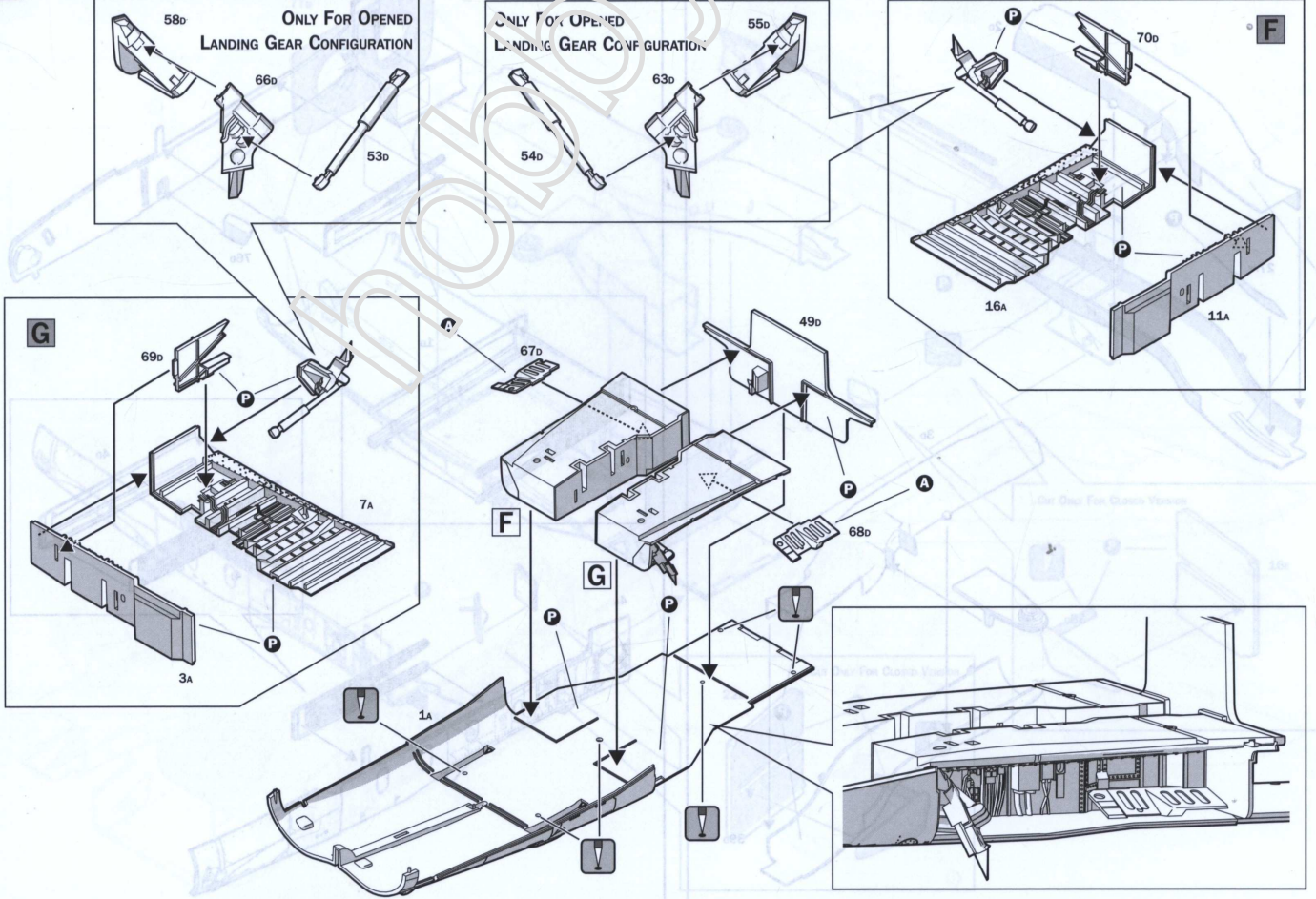


10



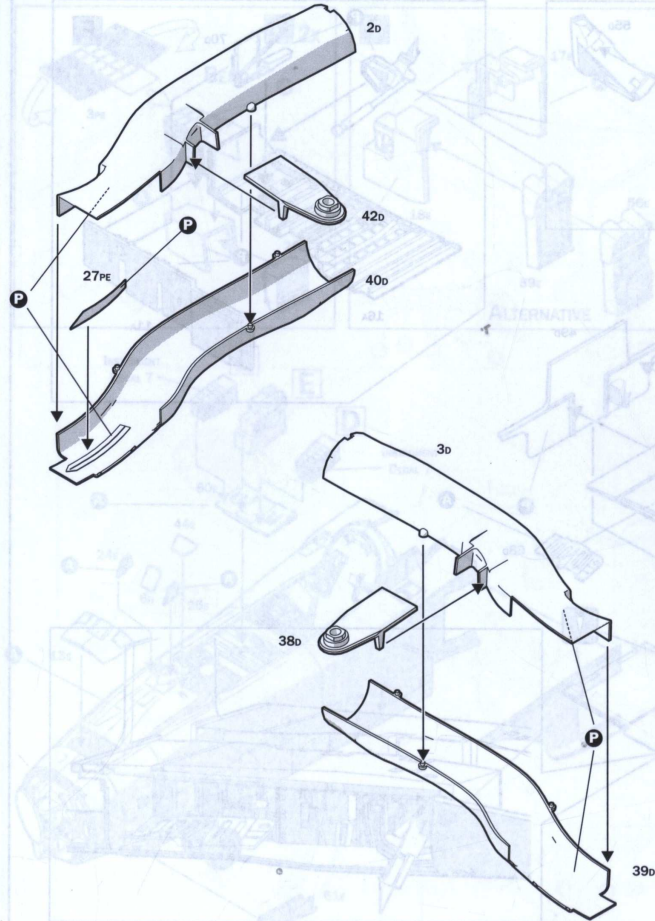
12

11

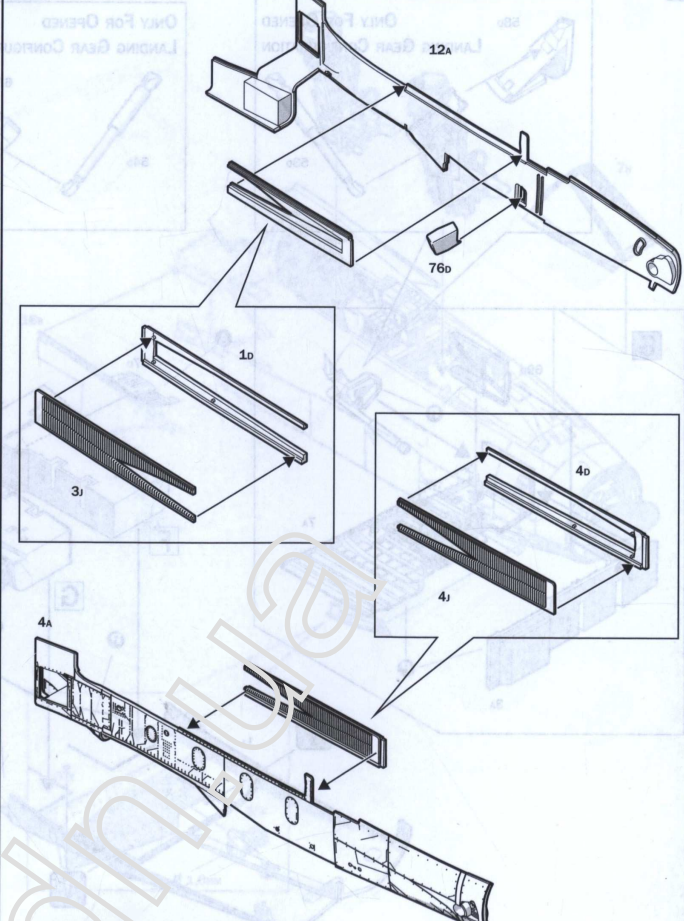


12

FOR PAINTING AND DECALS POSITIONING SEE THE PAINTING GUIDE

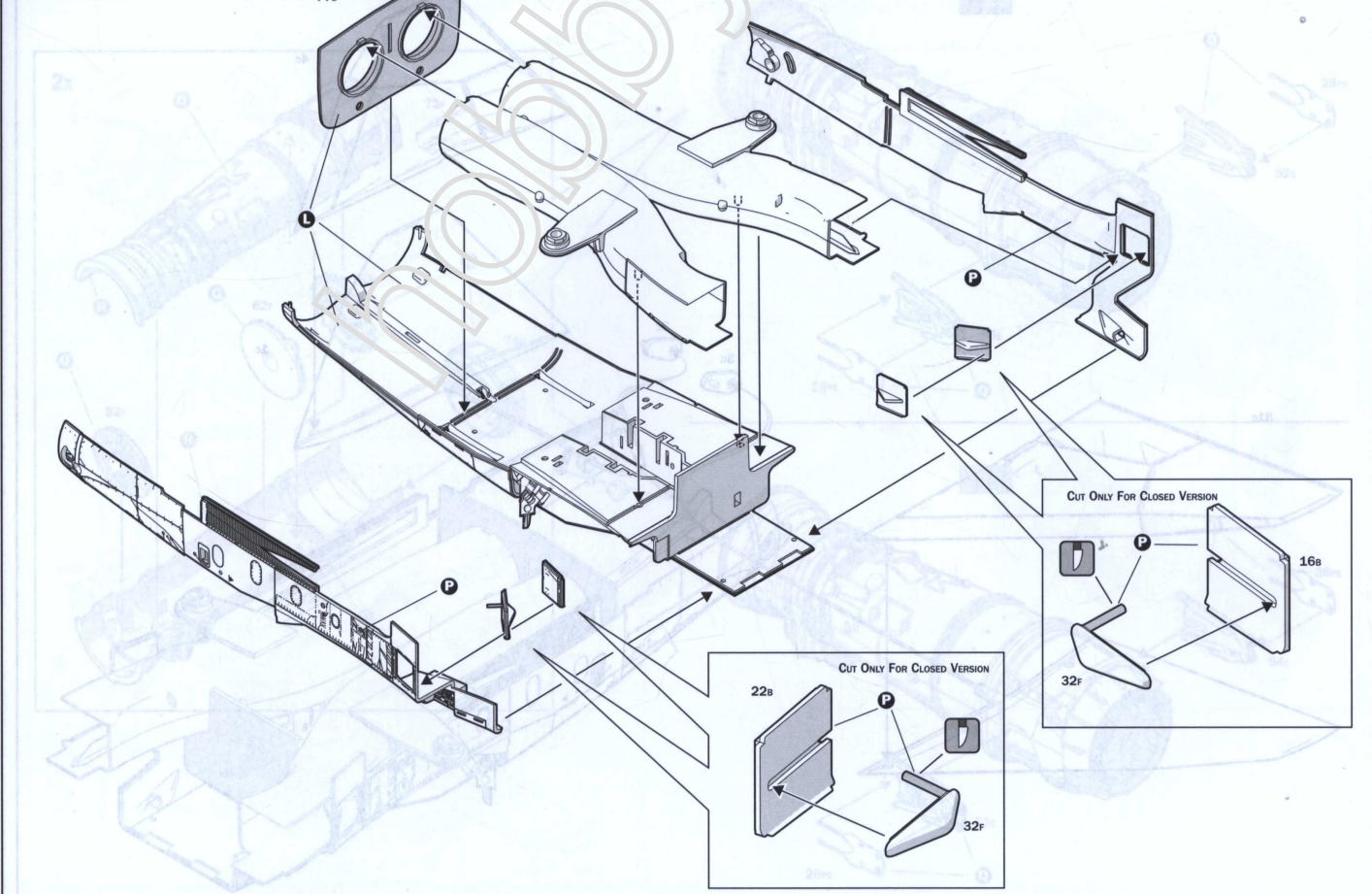


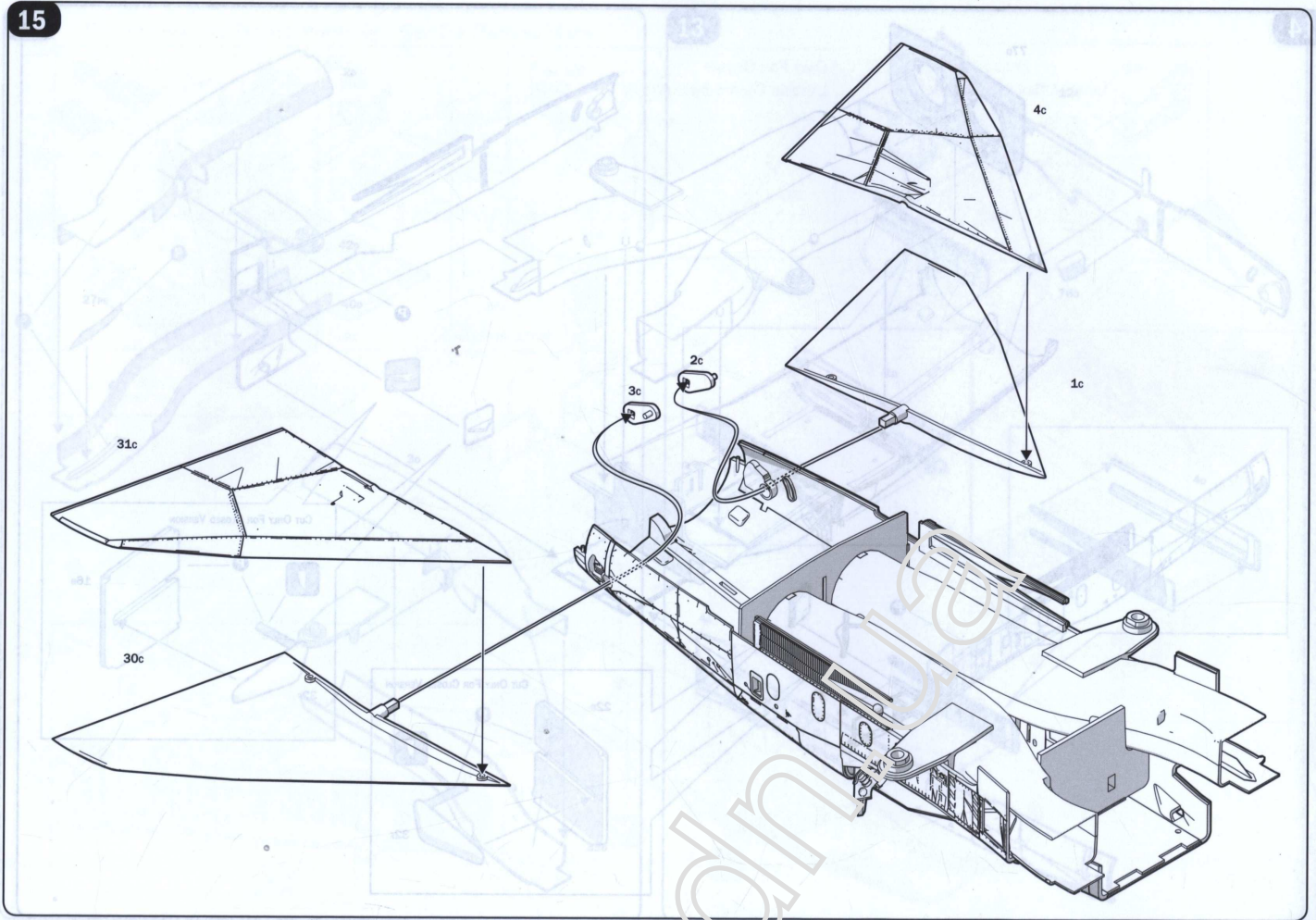
13



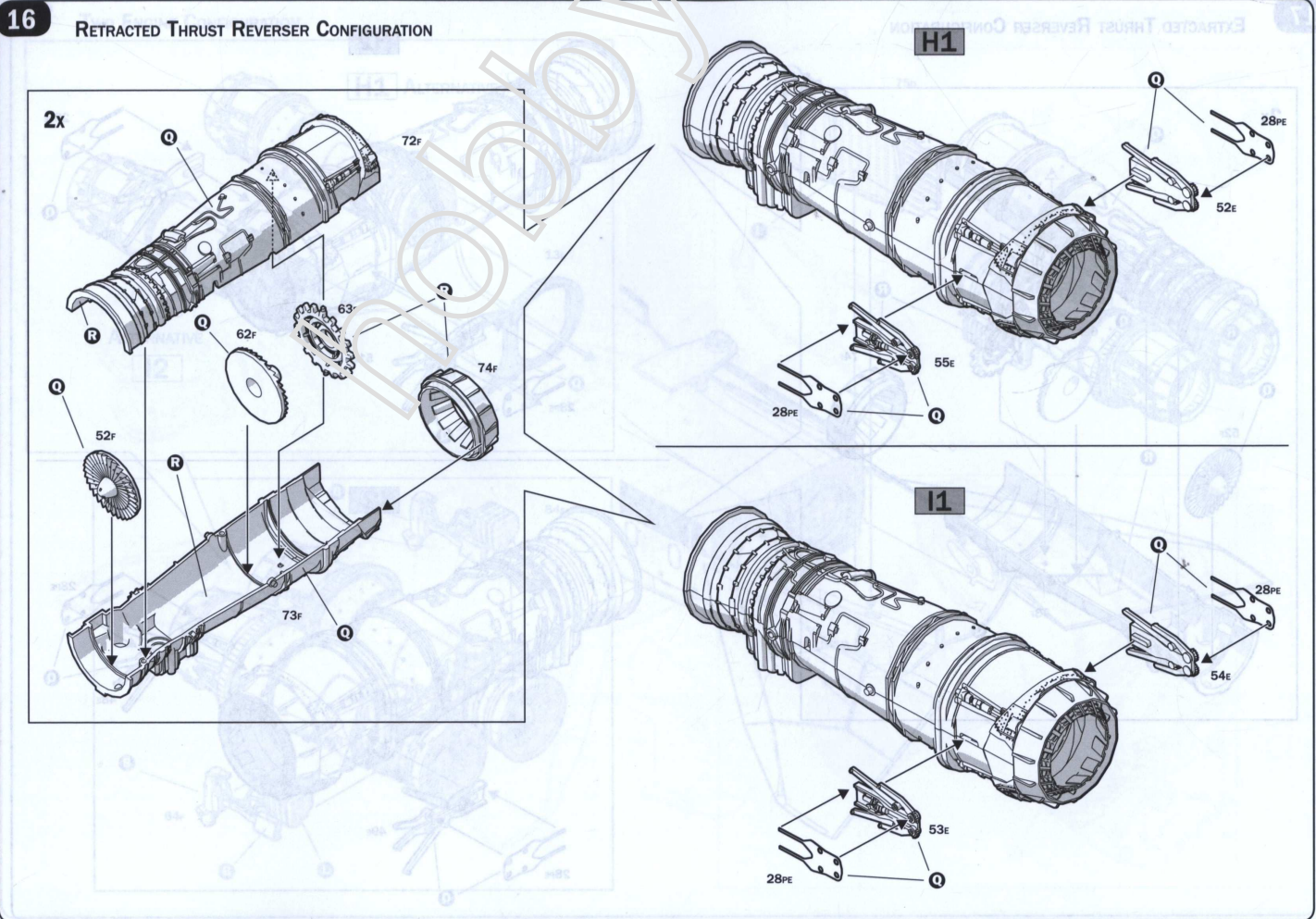
14

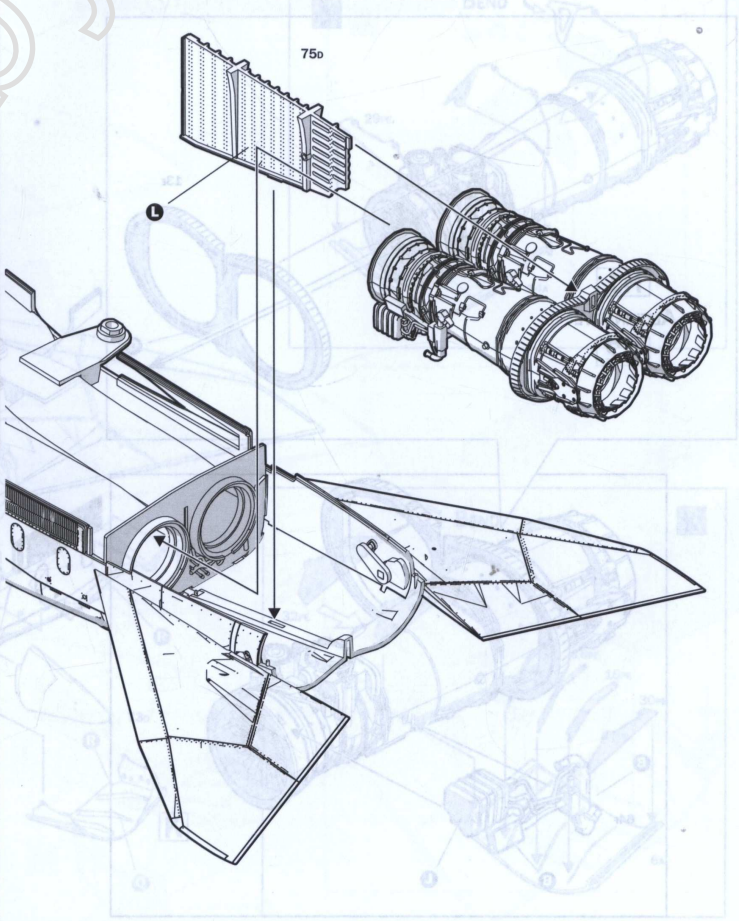
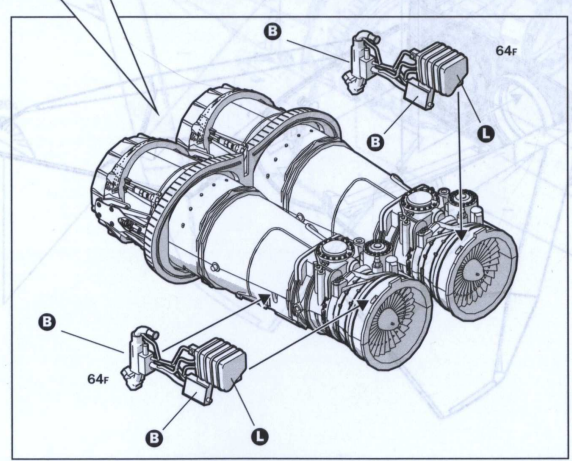
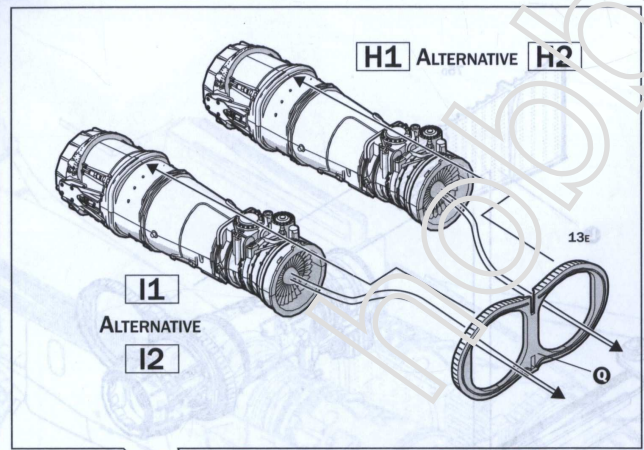
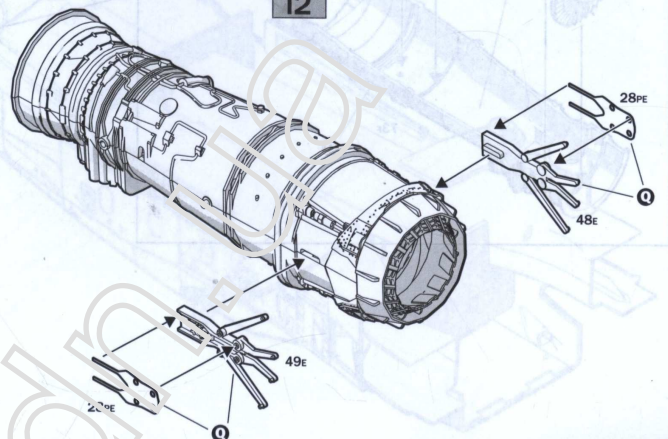
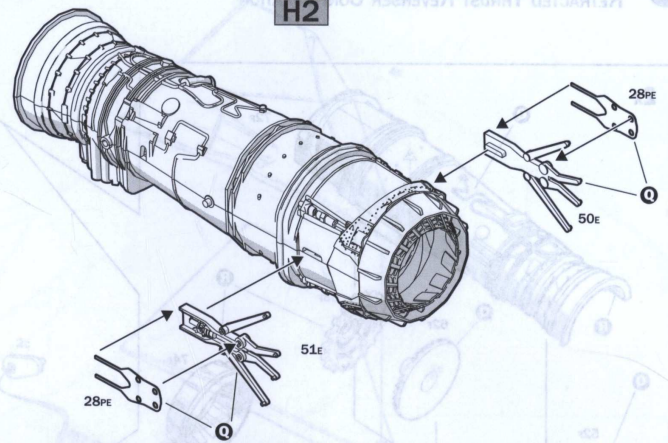
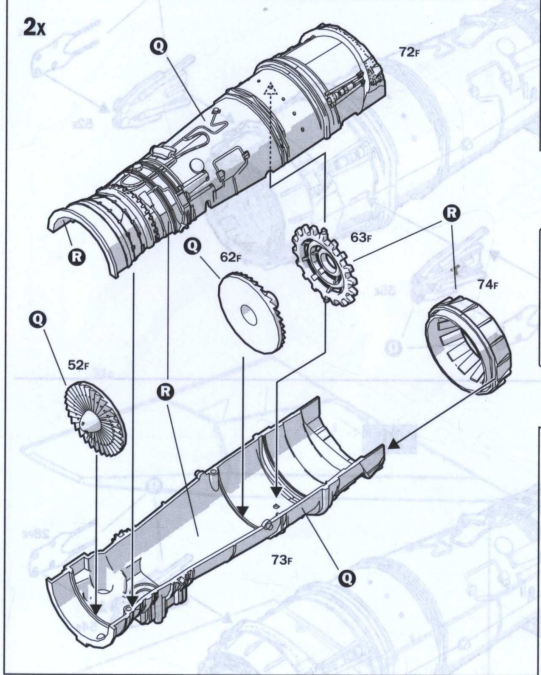
RETRACTED THRUST REVERSER

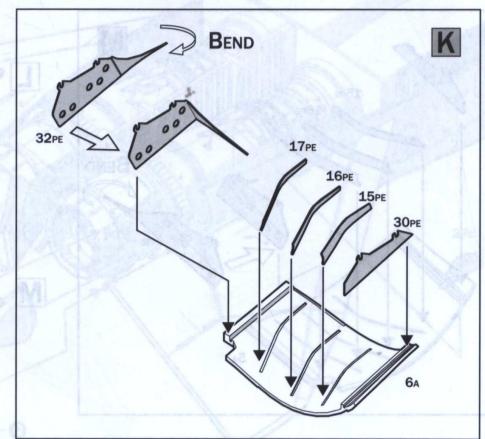
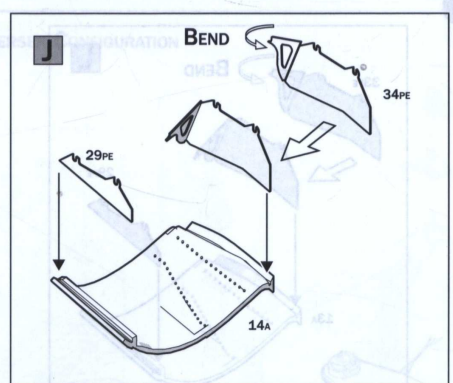
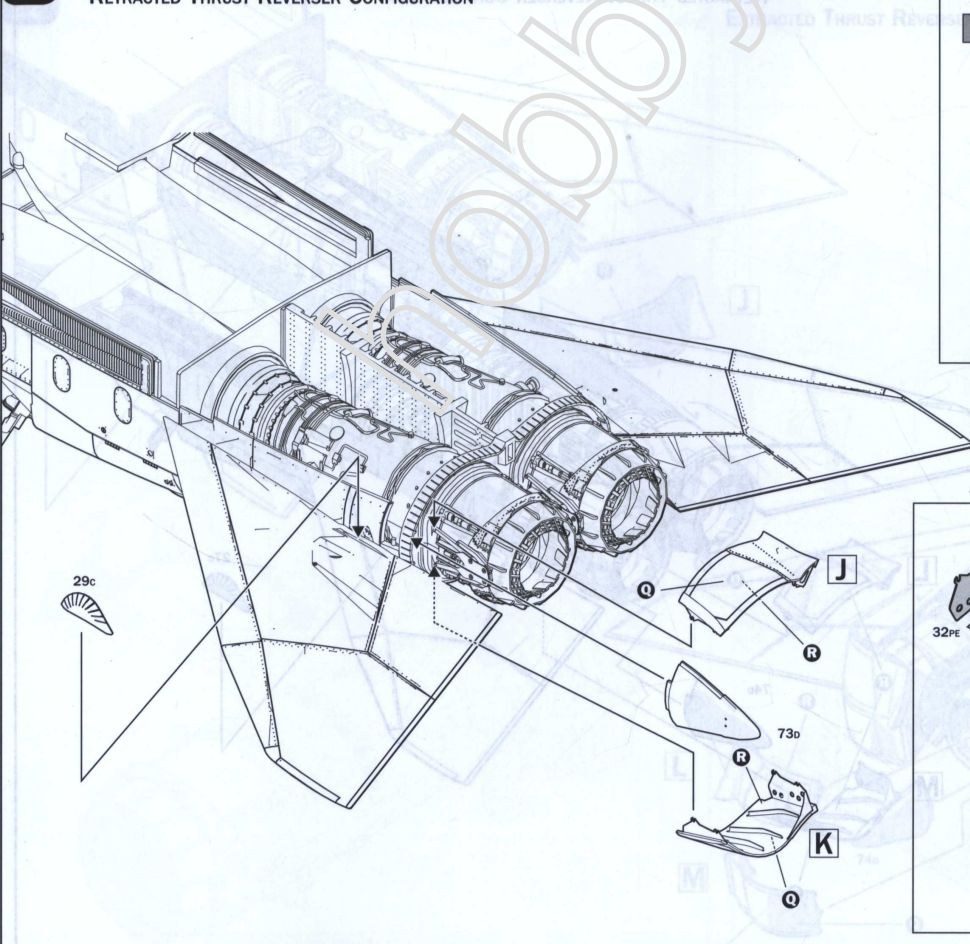
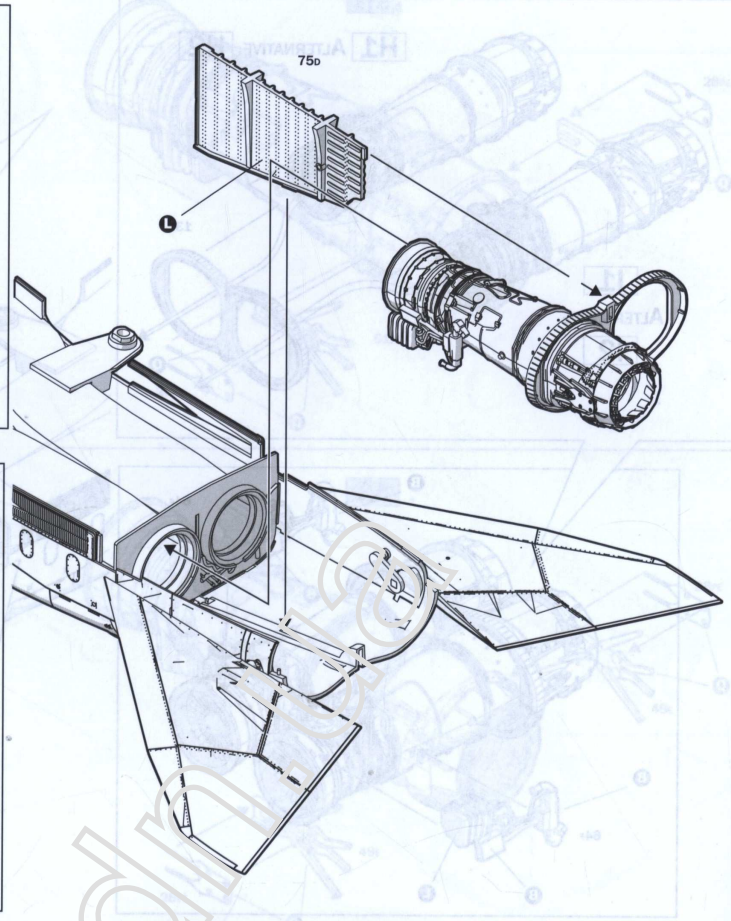
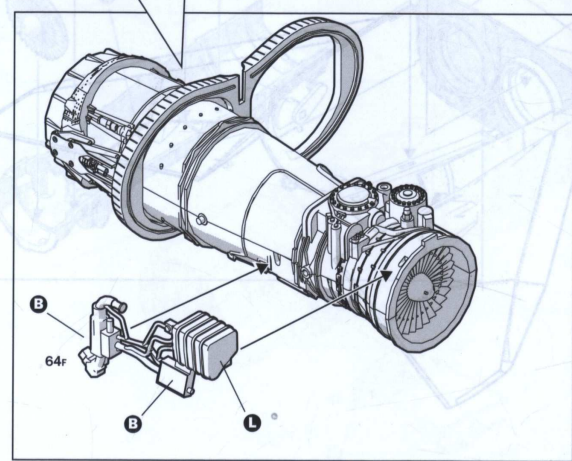
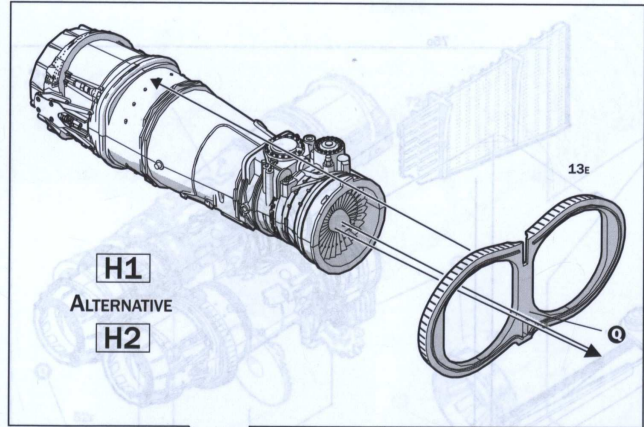


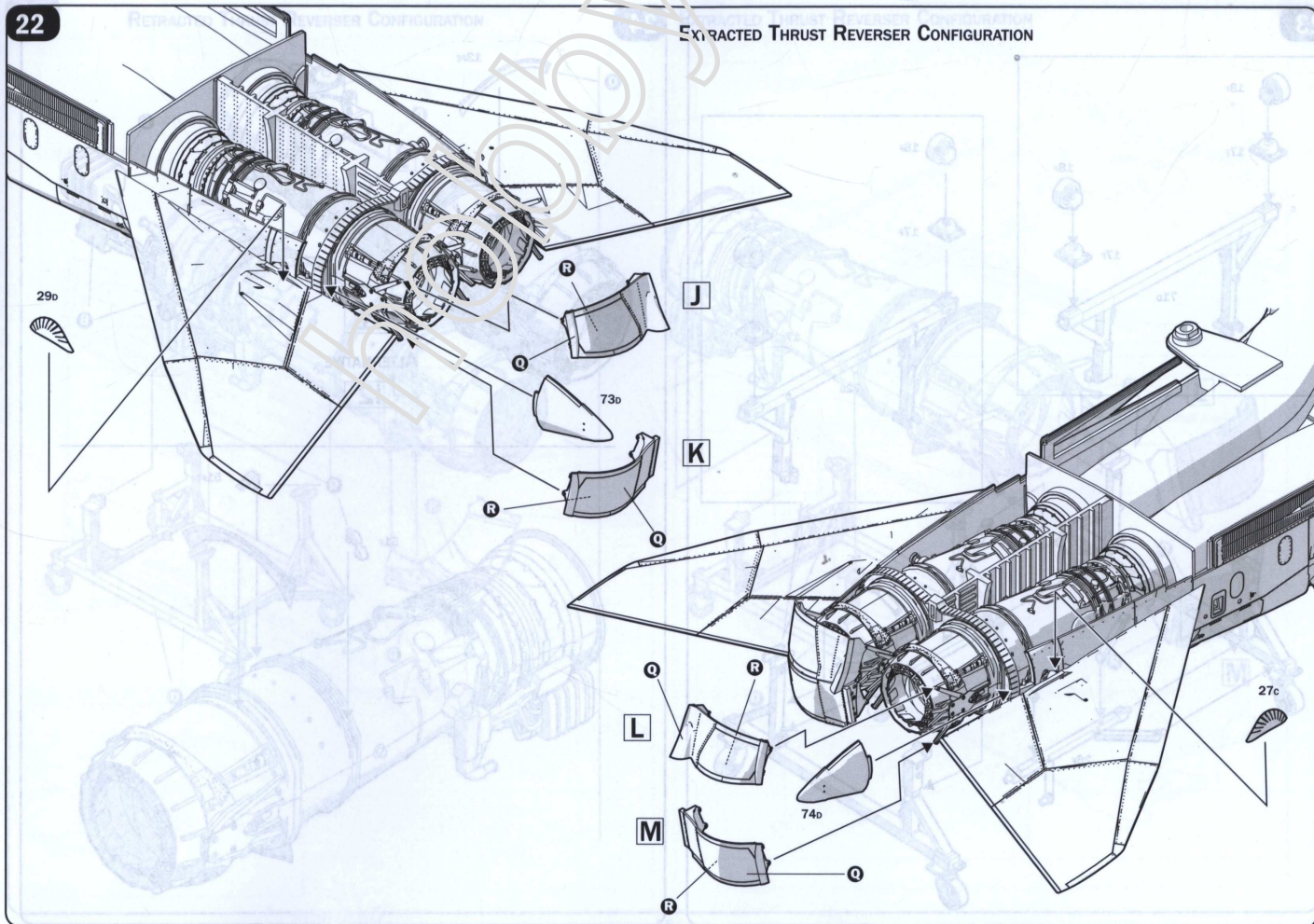
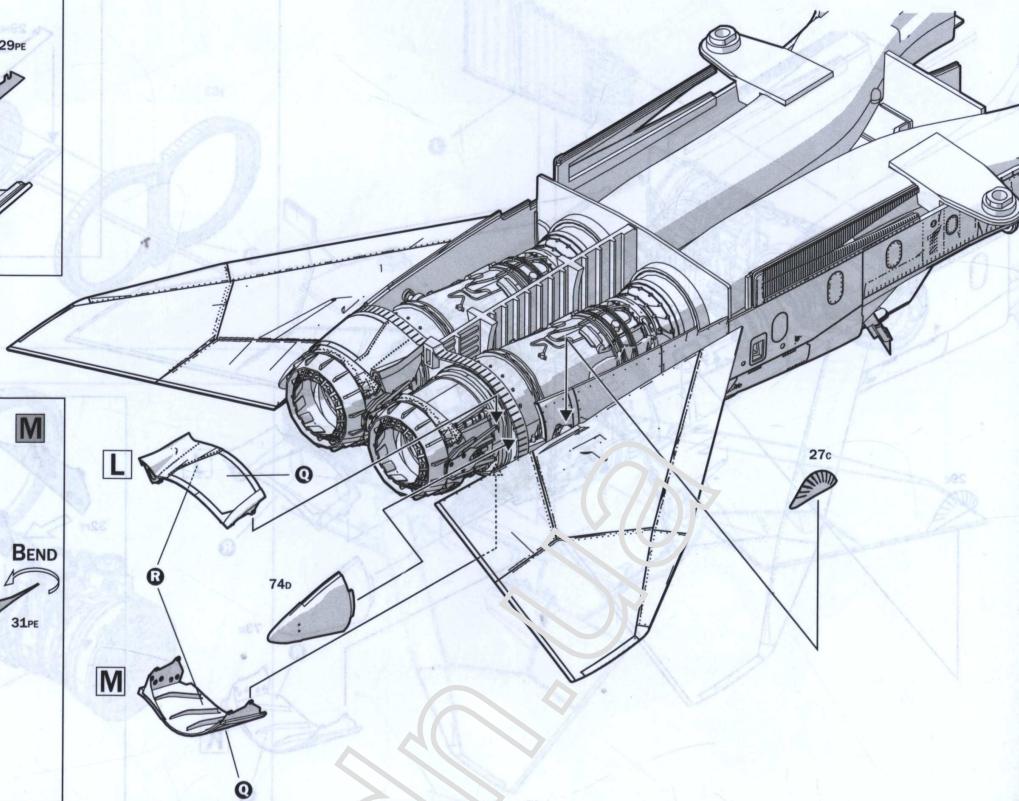
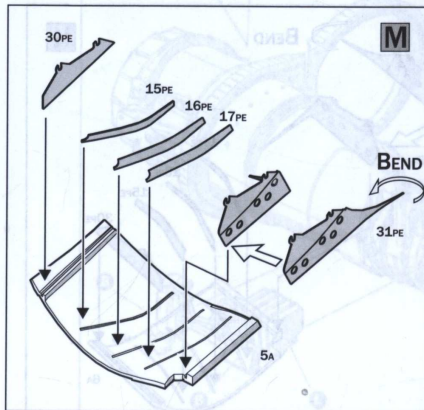
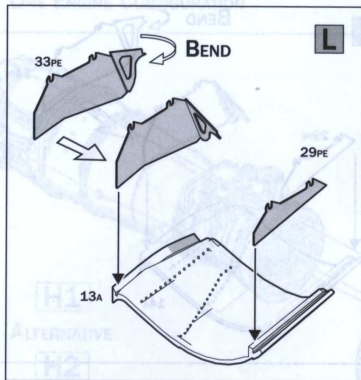


RETRACTED THRUST REVERSER CONFIGURATION

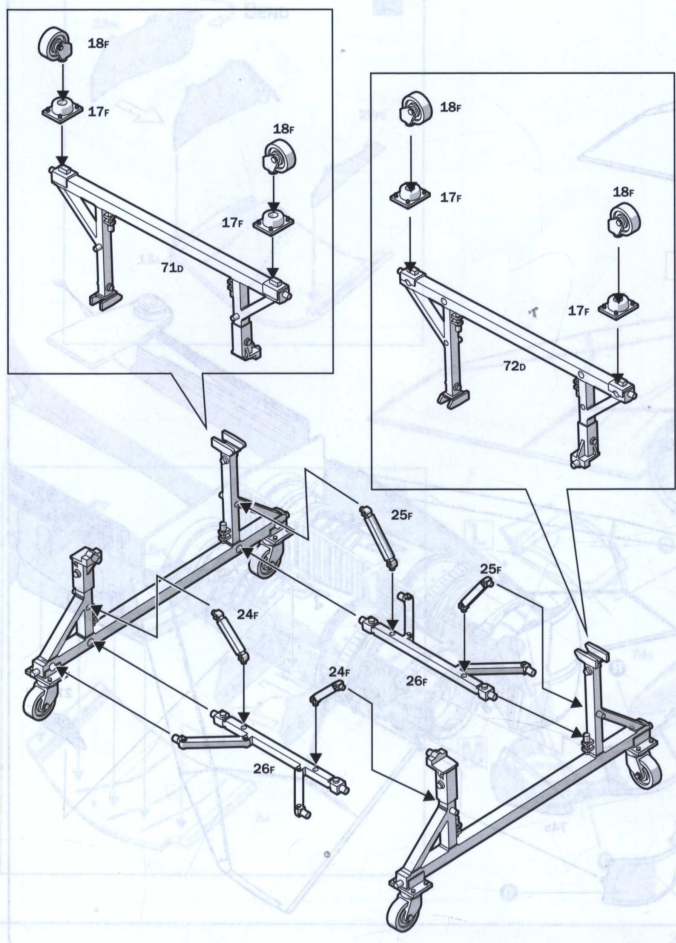




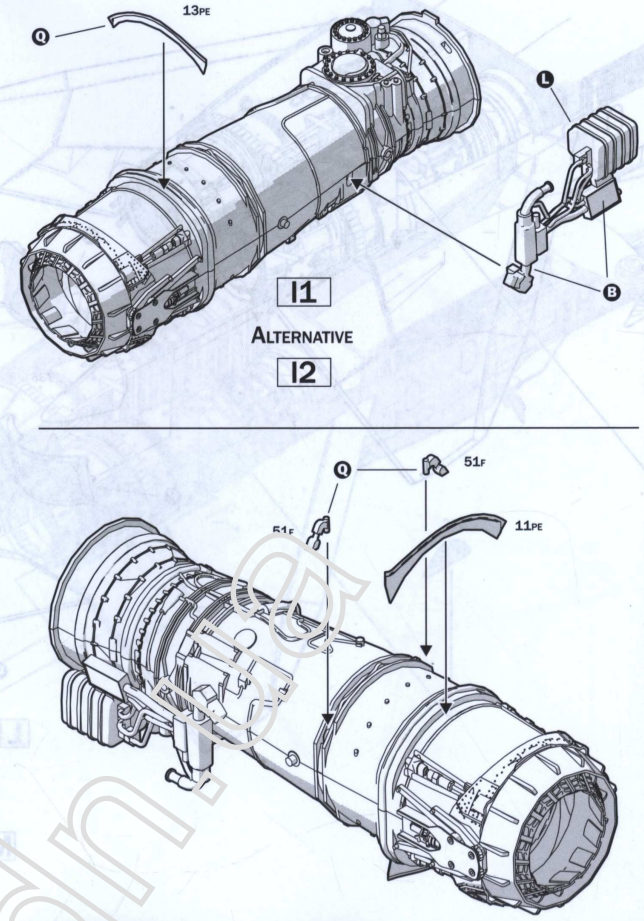




23



24



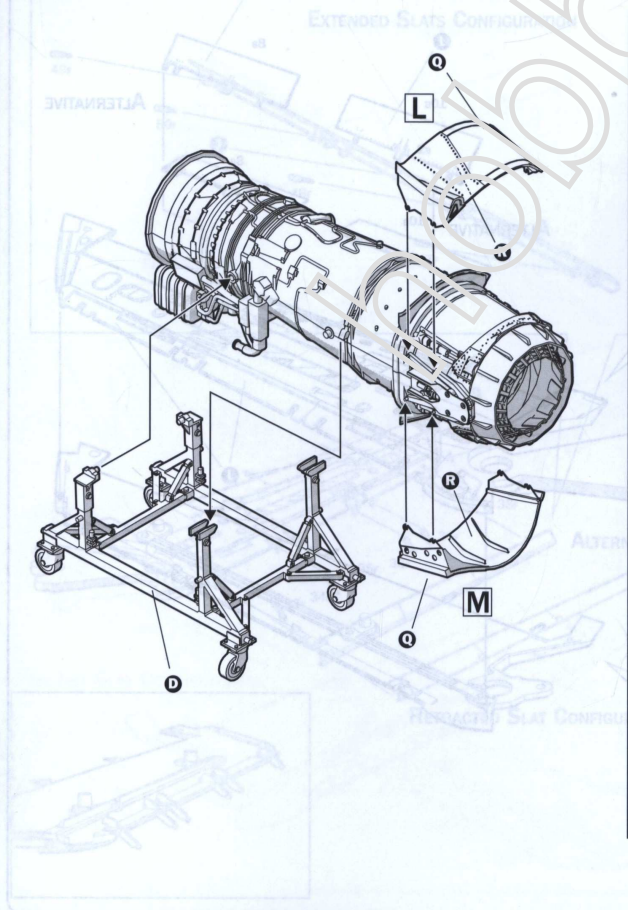
11

ALTERNATIVE

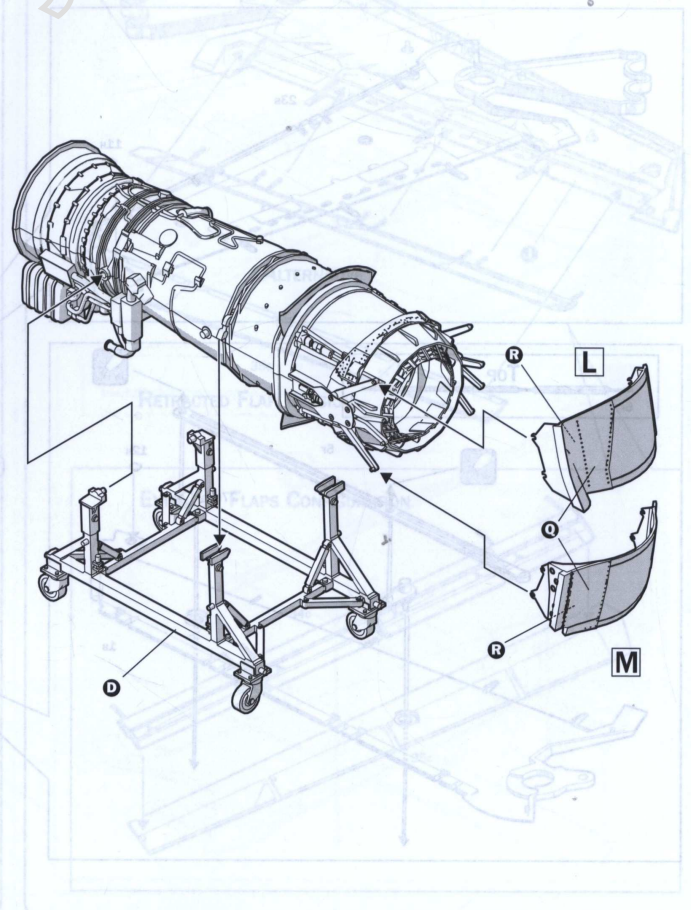
12

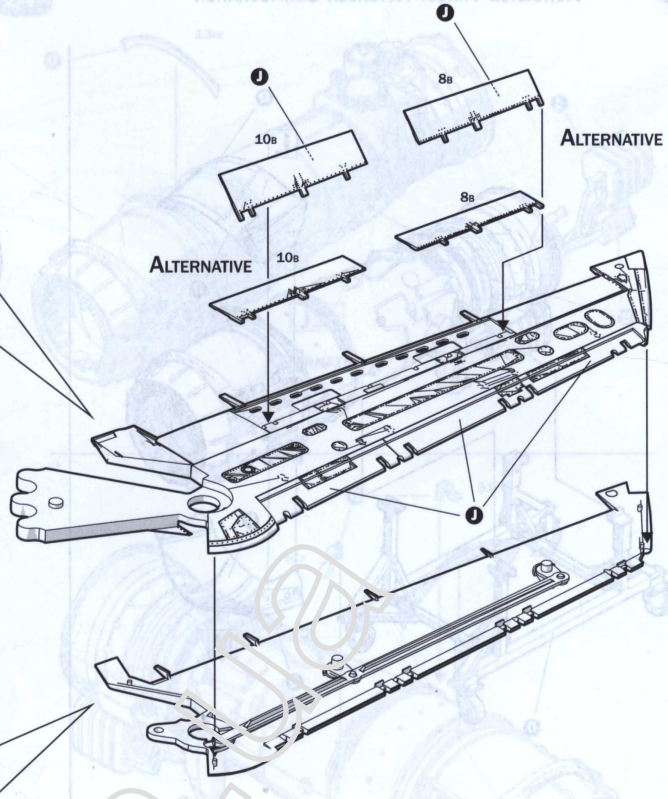
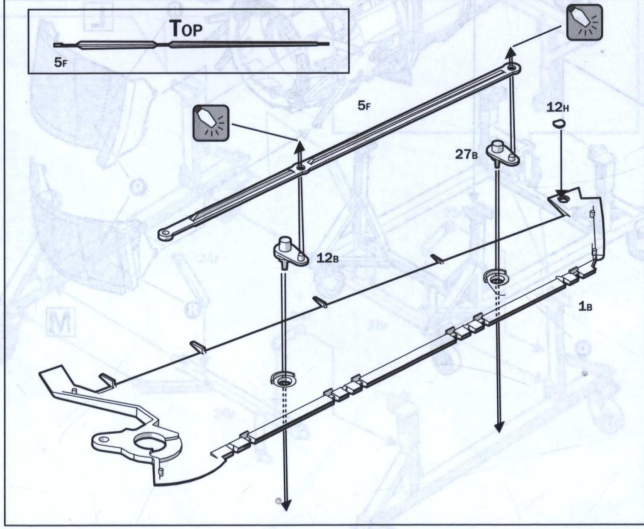
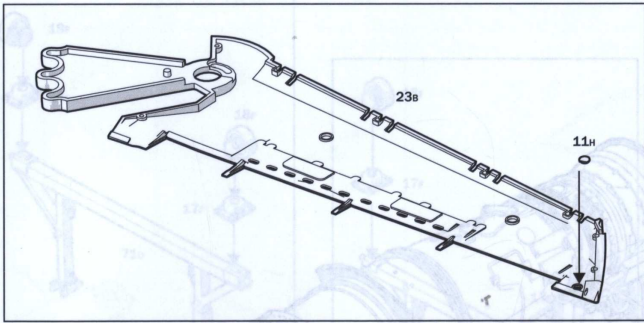
25

RETRACTED THRUST REVERSER CONFIGURATION

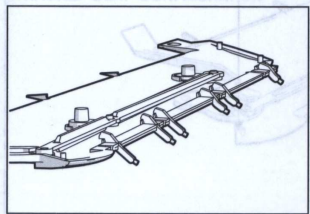
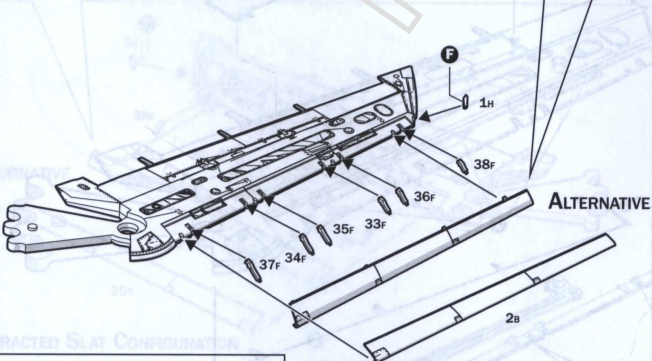
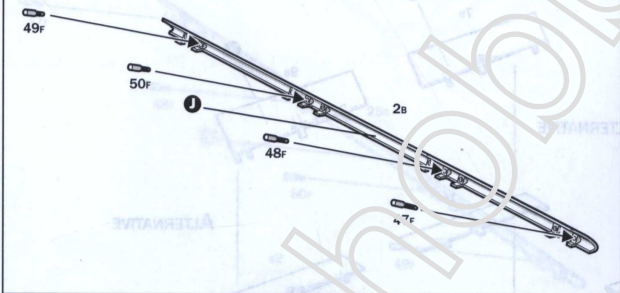


EXTRACTED THRUST REVERSER CONFIGURATION

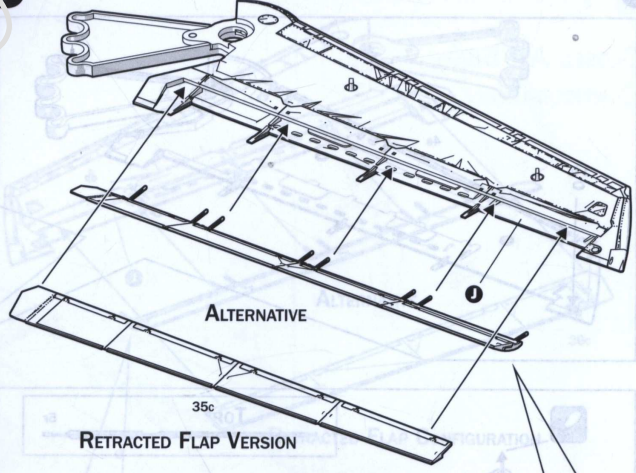




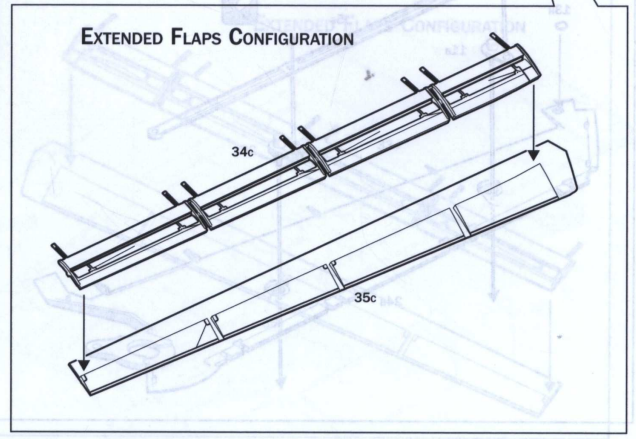
EXTENDED SLATS CONFIGURATION



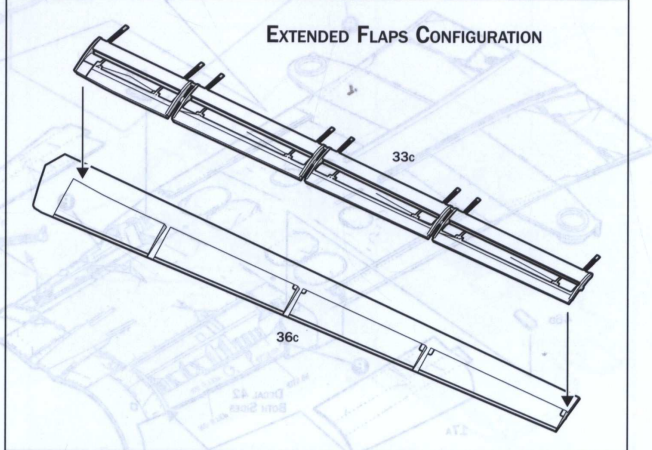
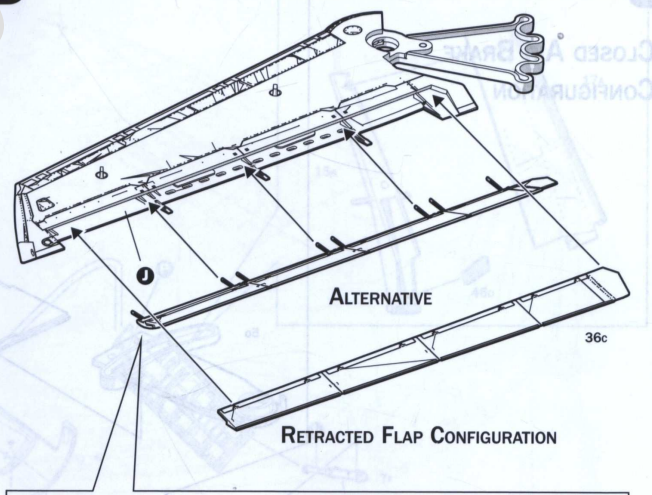
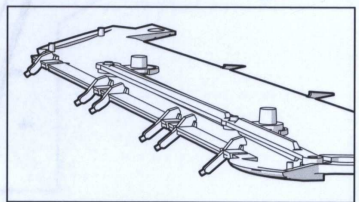
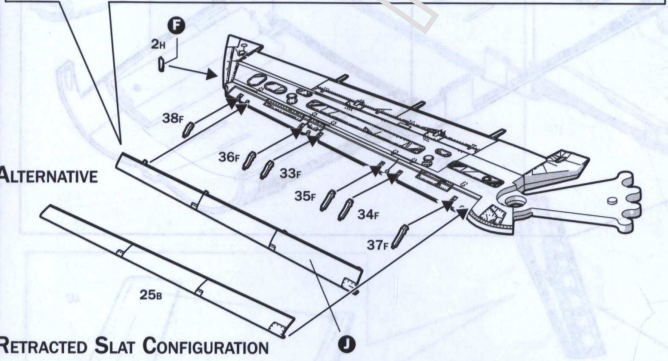
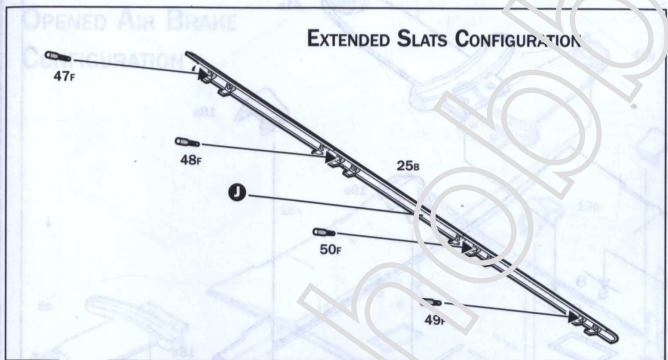
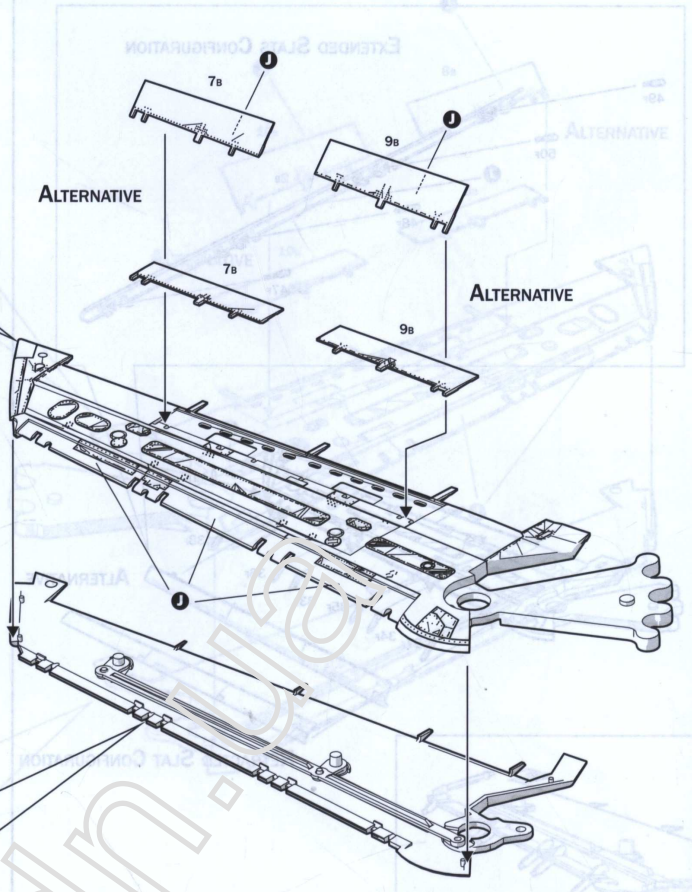
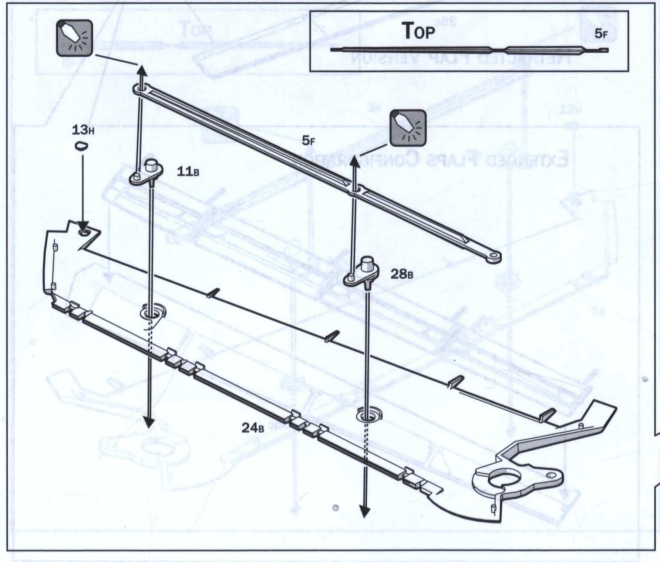
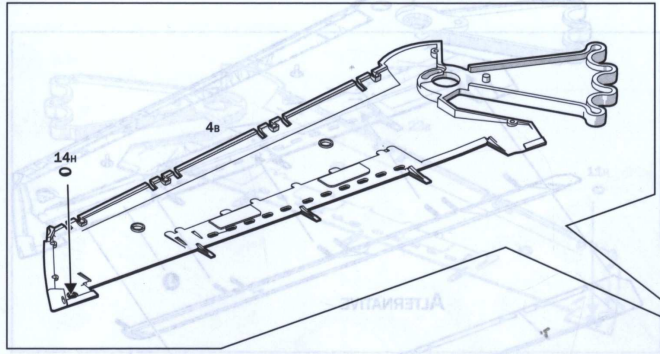
RETRACTED SLAT CONFIGURATION



RETRACTED FLAP VERSION

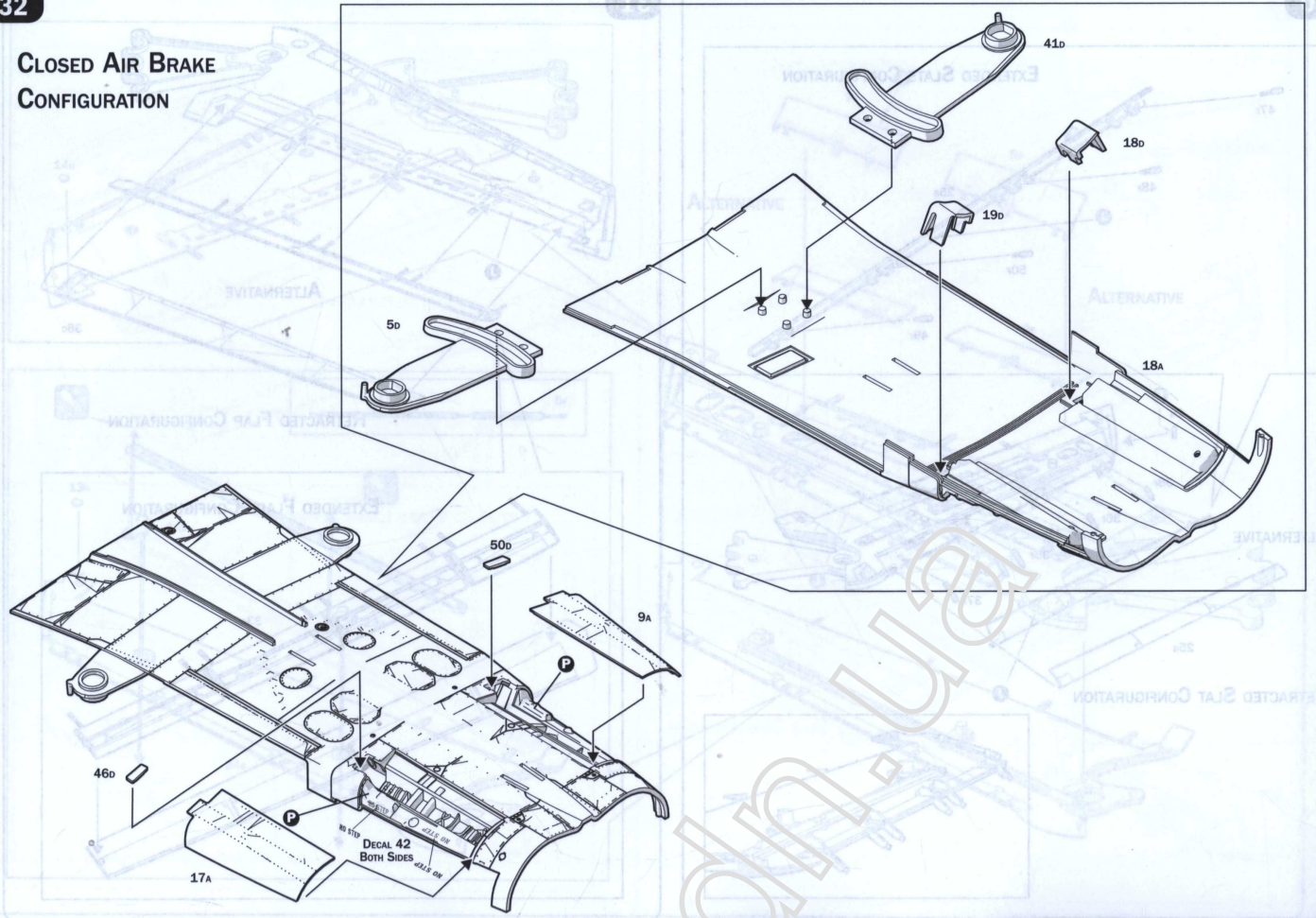


EXTENDED FLAPS CONFIGURATION



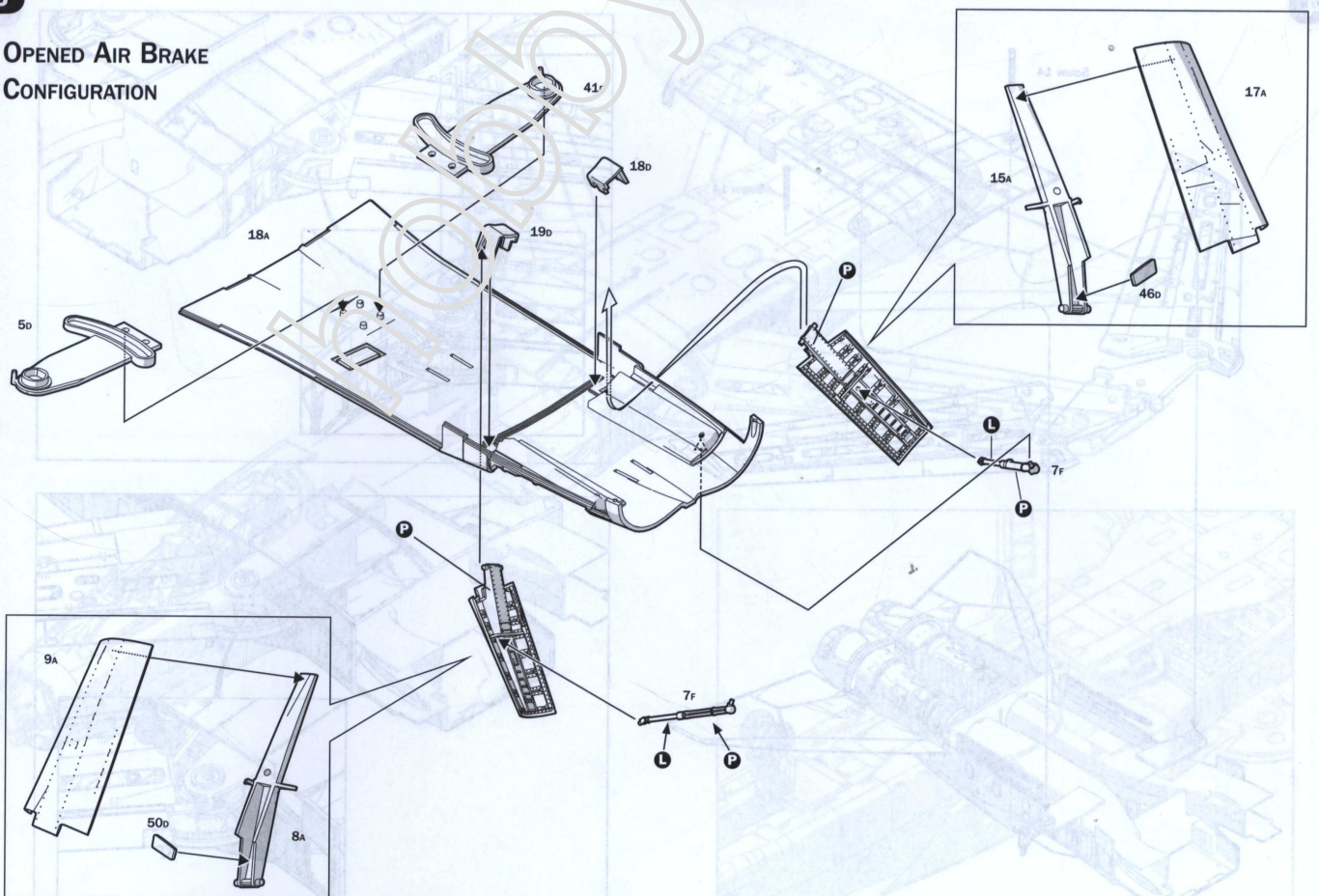
32

CLOSED AIR BRAKE CONFIGURATION



33

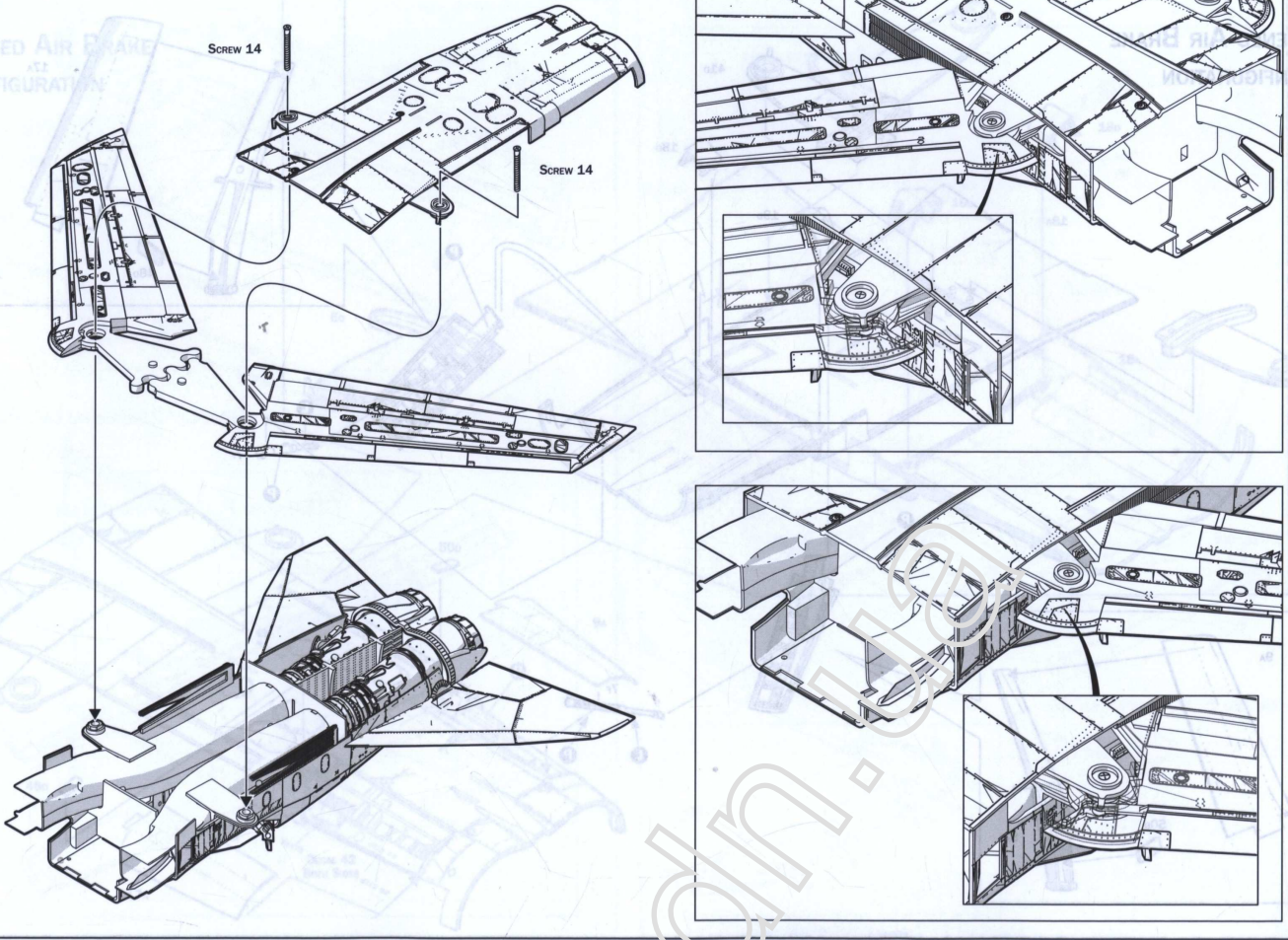
OPENED AIR BRAKE CONFIGURATION



CLOSED AIR BRAKE
CONFIGURATION

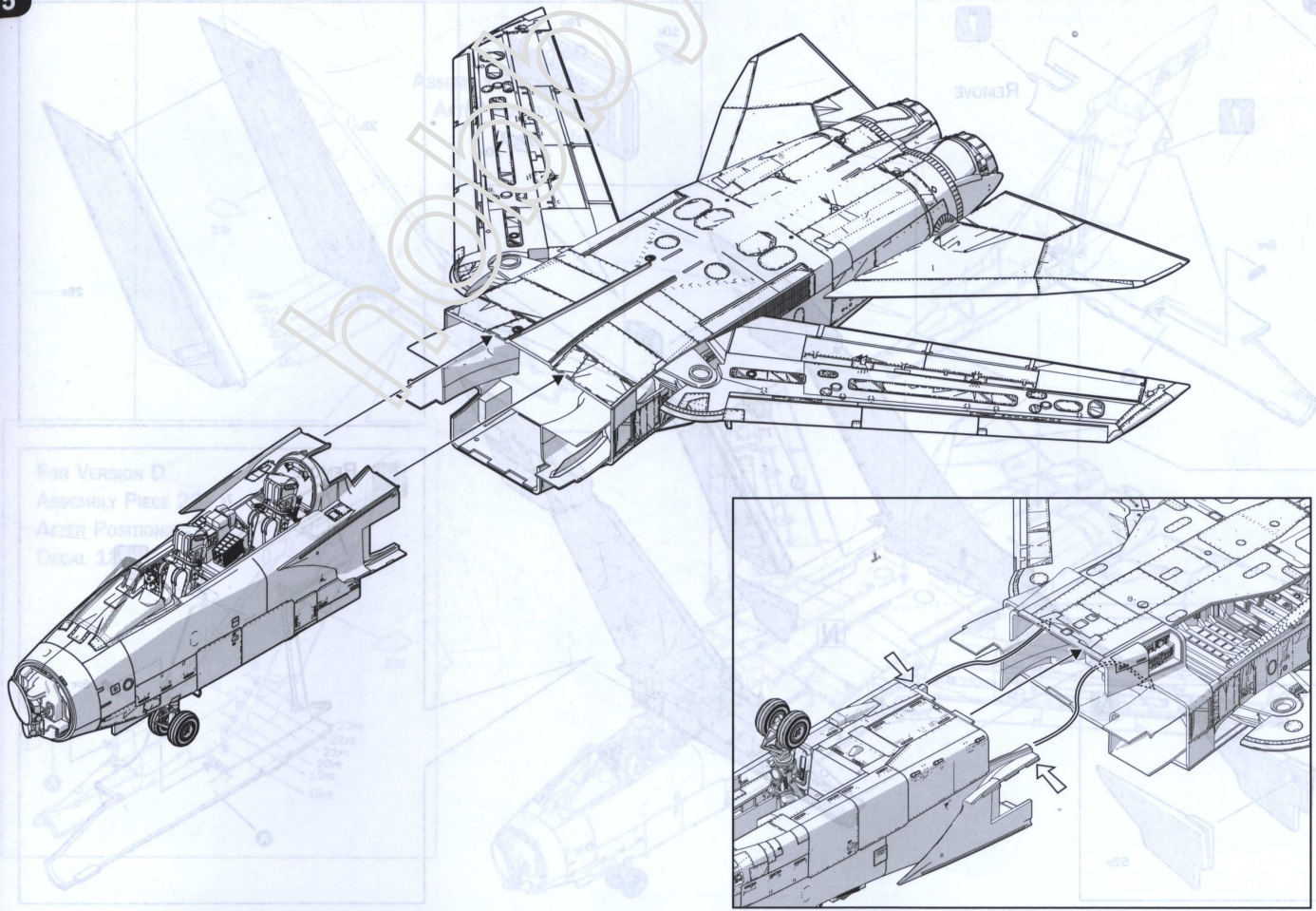
Screw 14

SCREW 14

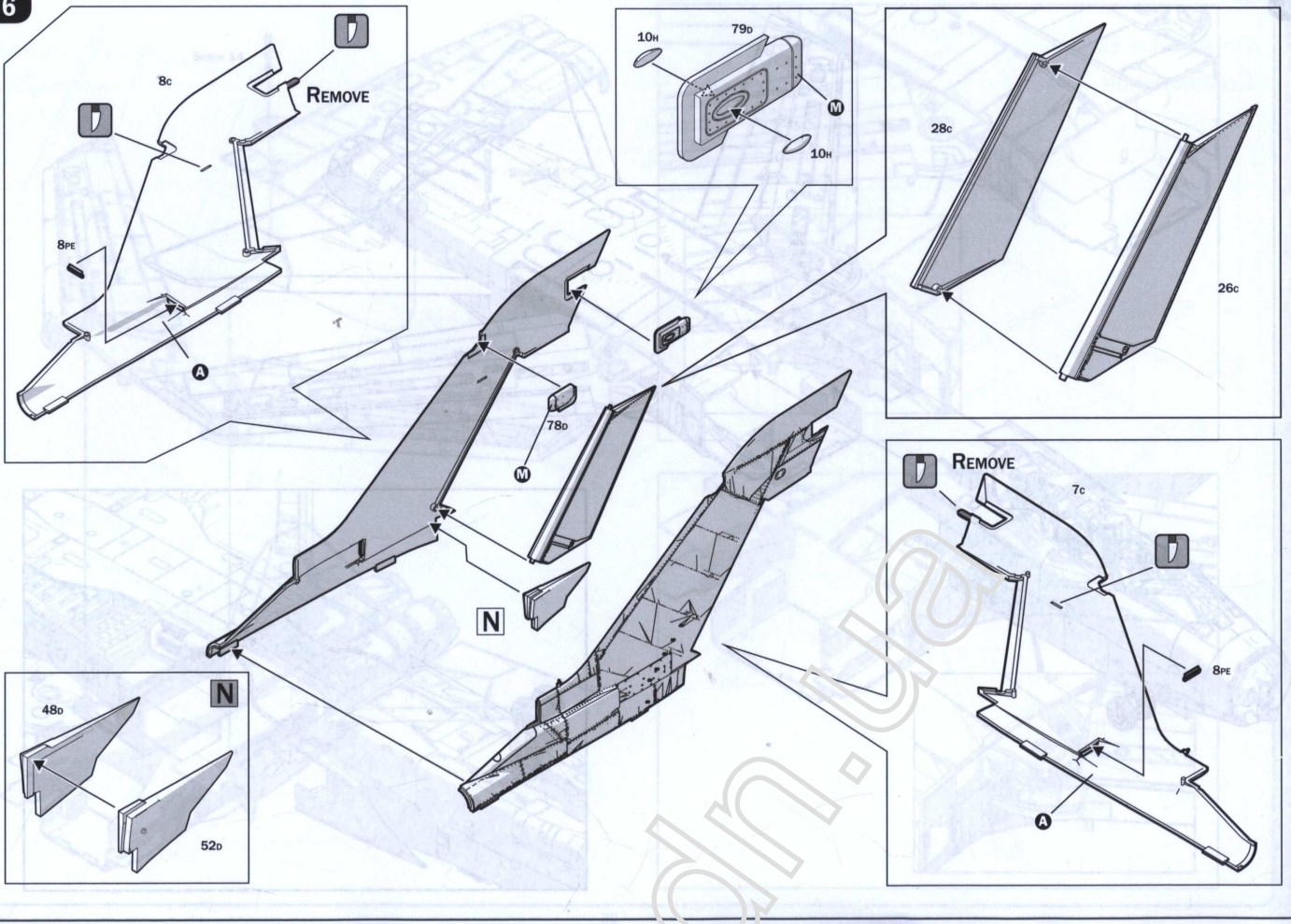


FOR VERSION D
ASSEMBLY PIECE
AFTER POSITIONING
DECAL 15

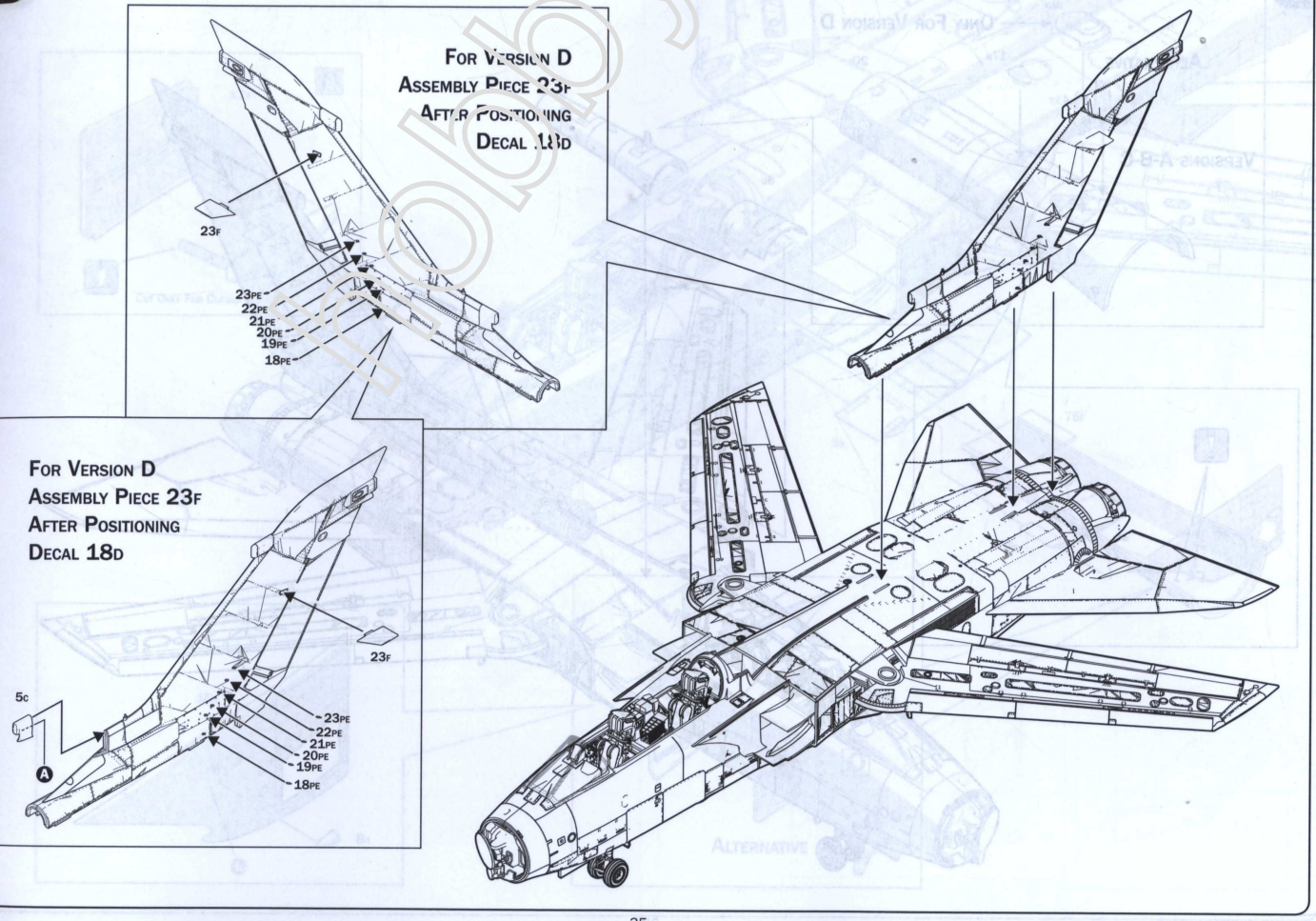
REMOVE

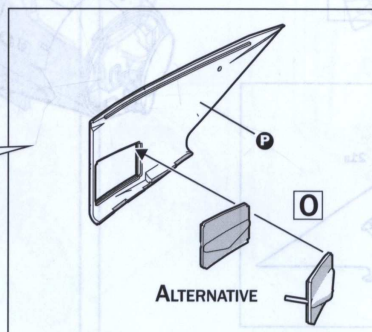
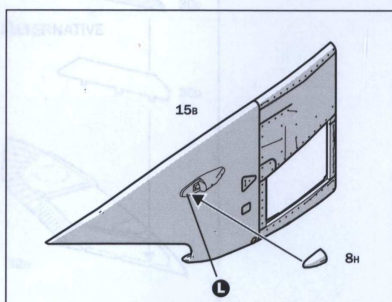
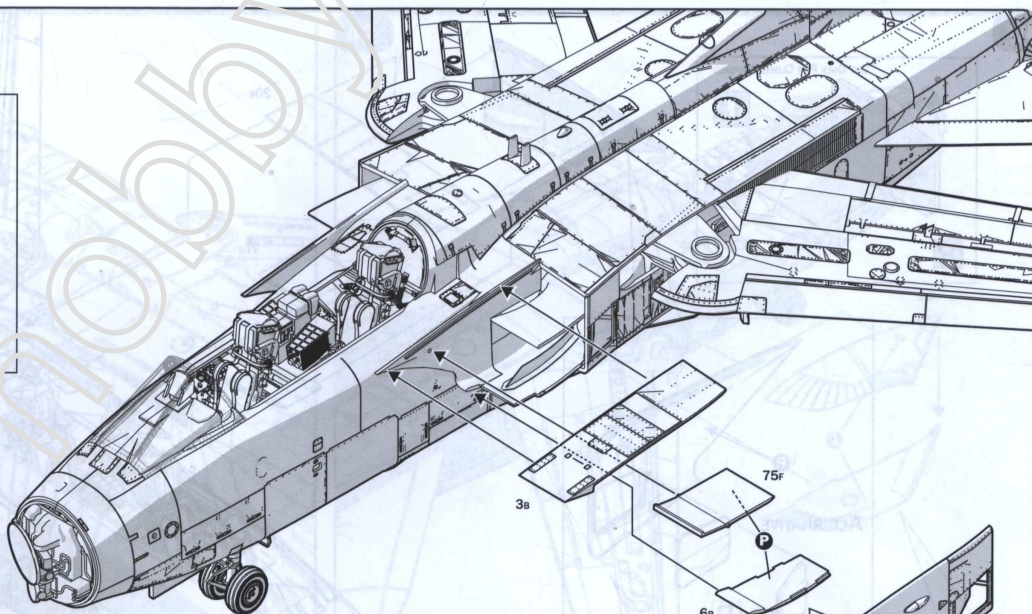
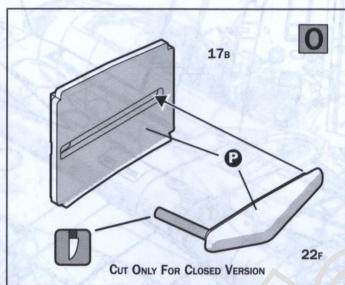
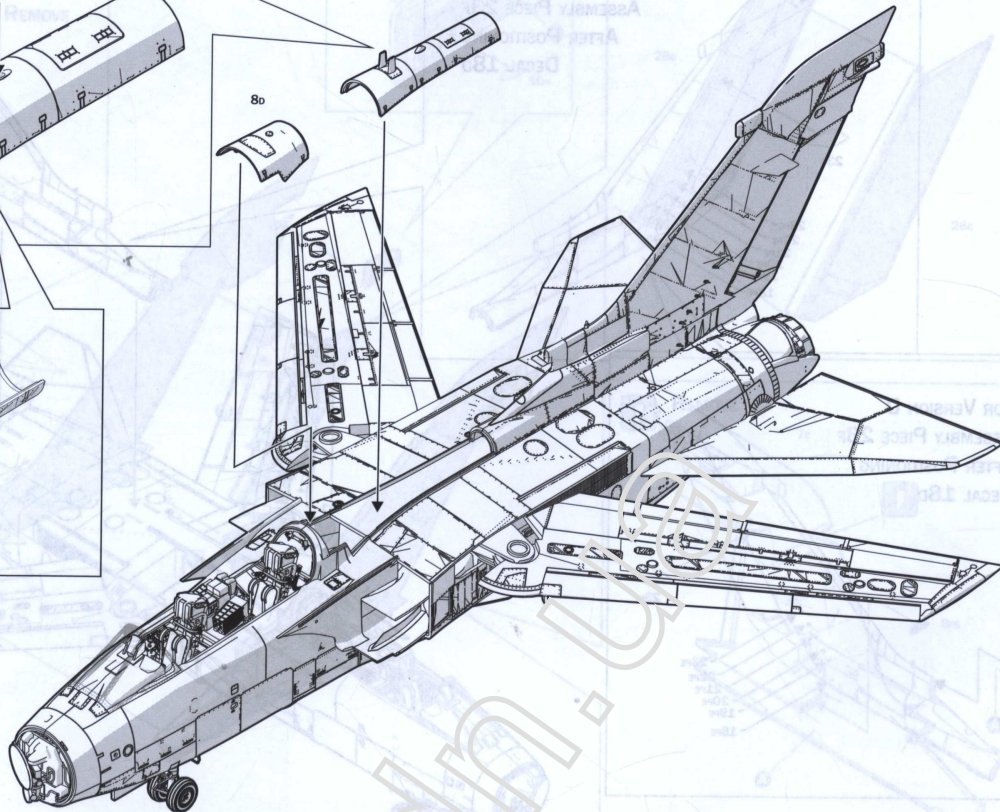
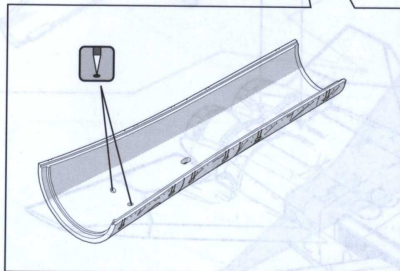
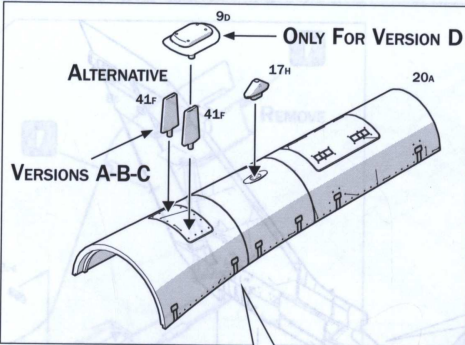


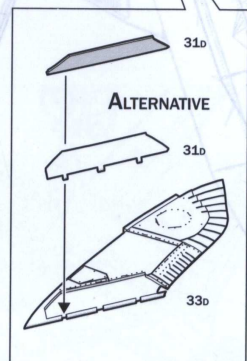
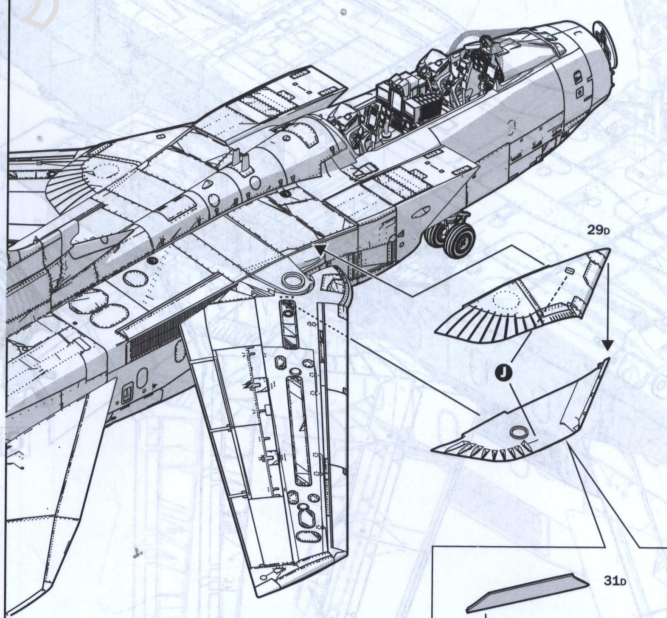
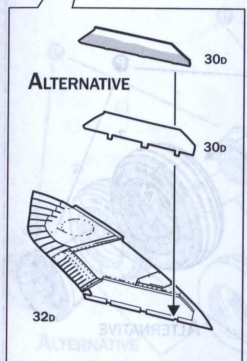
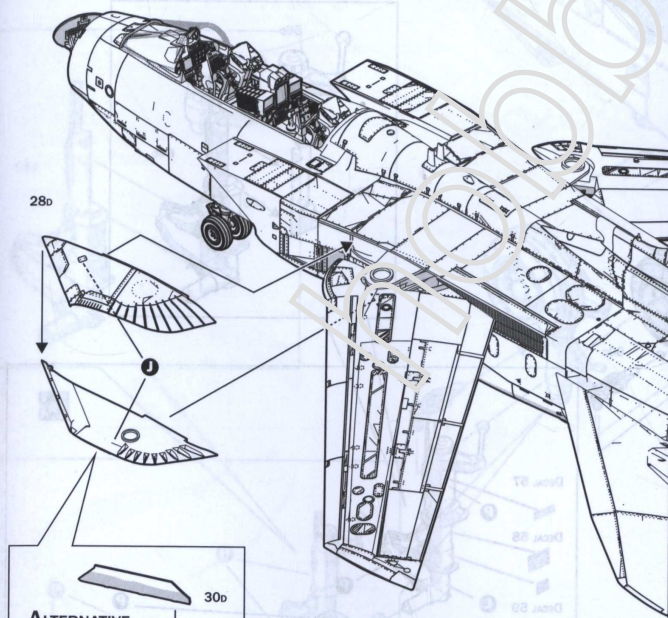
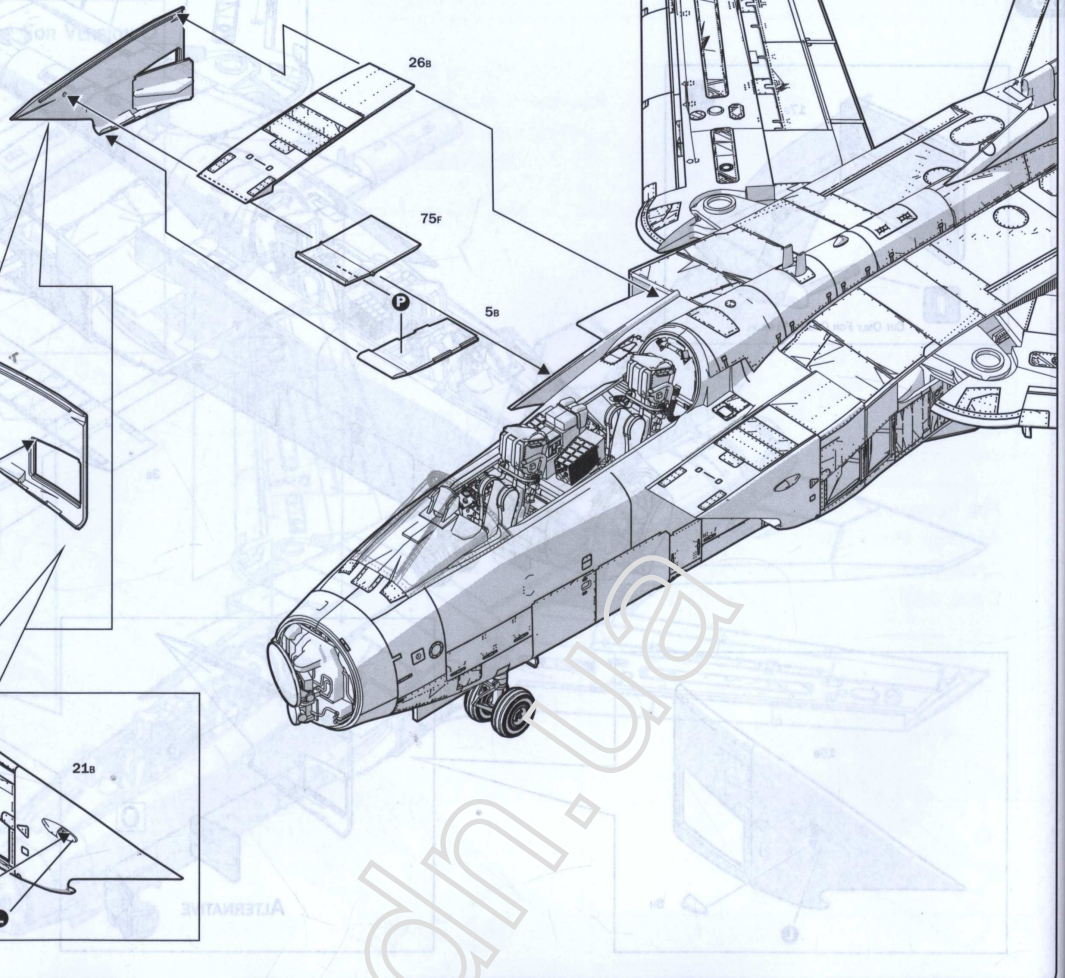
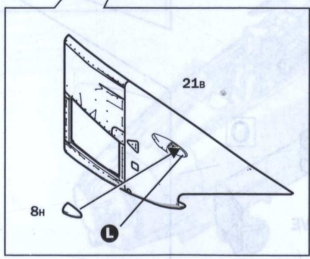
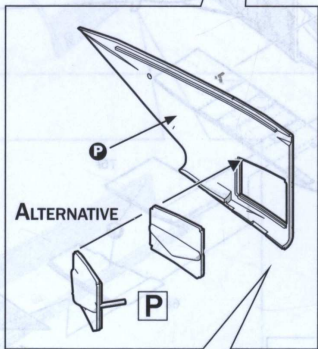
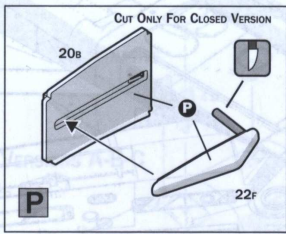
36

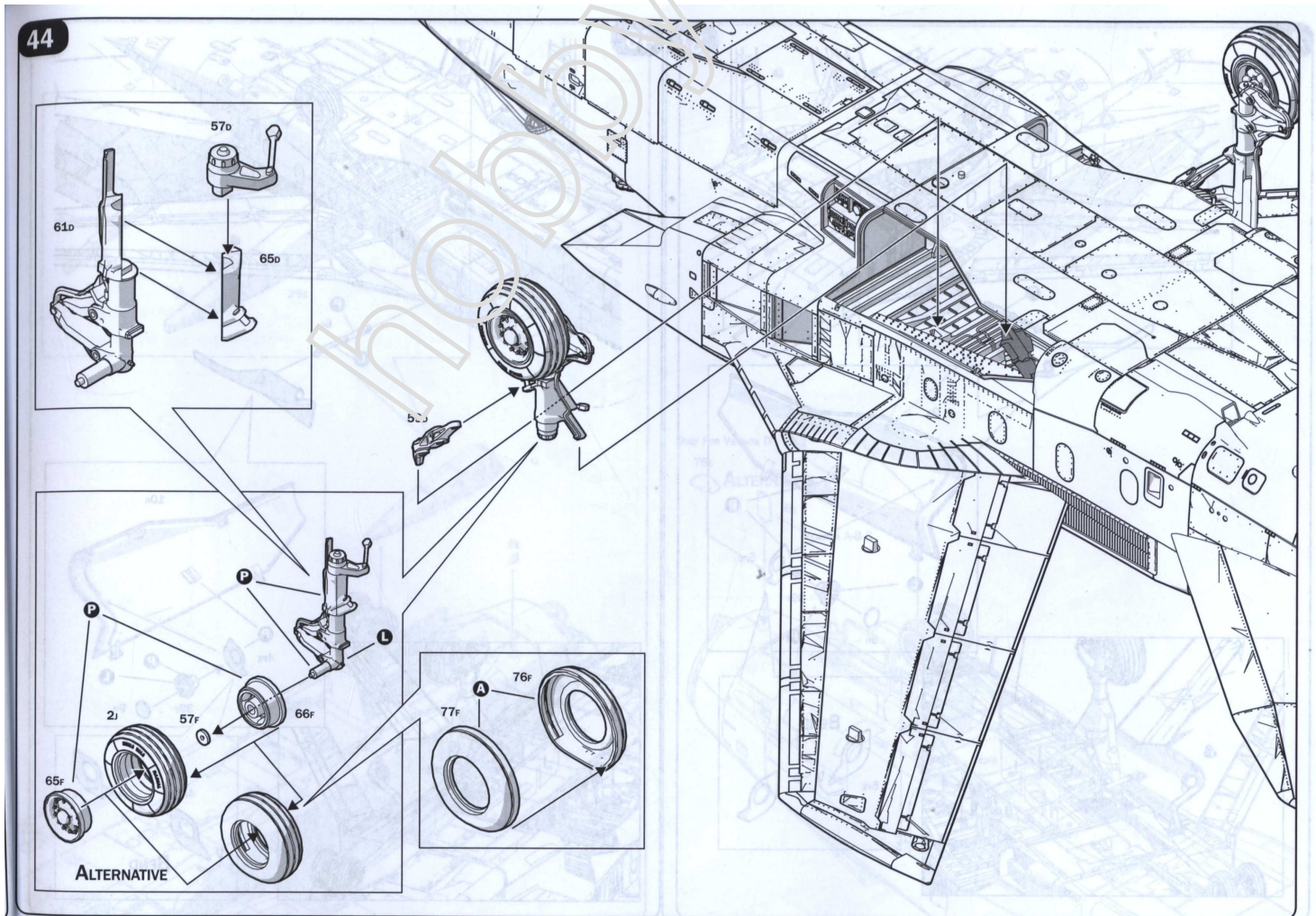
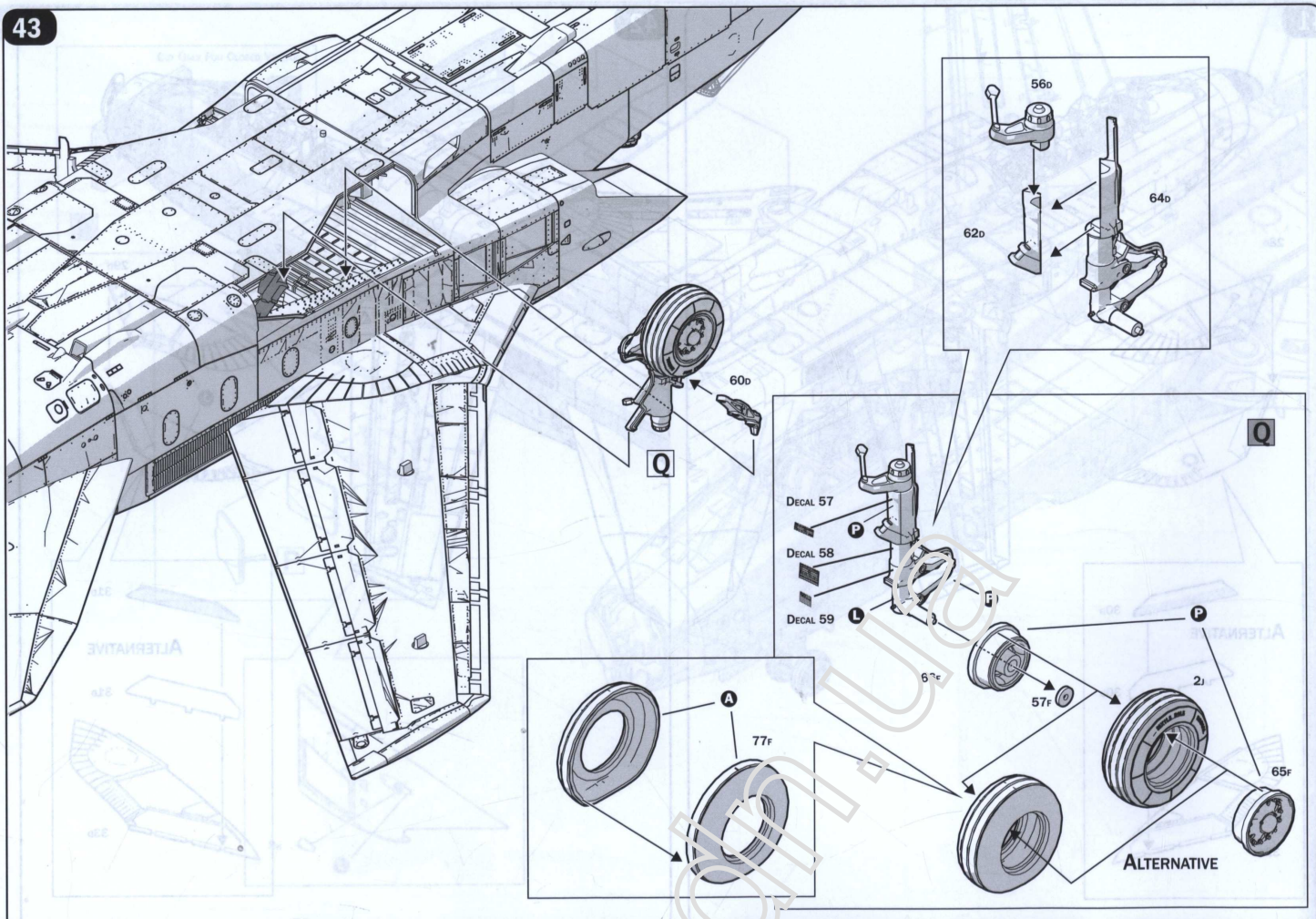


37

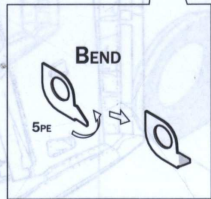
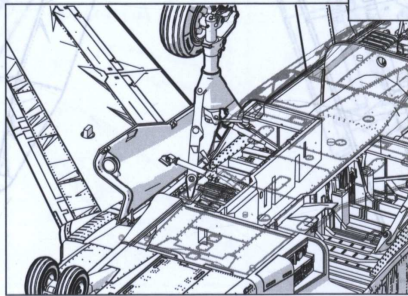
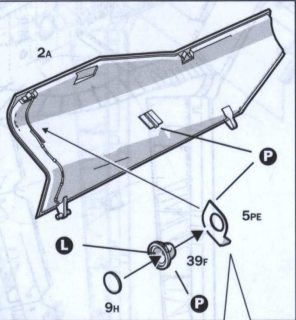
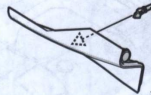
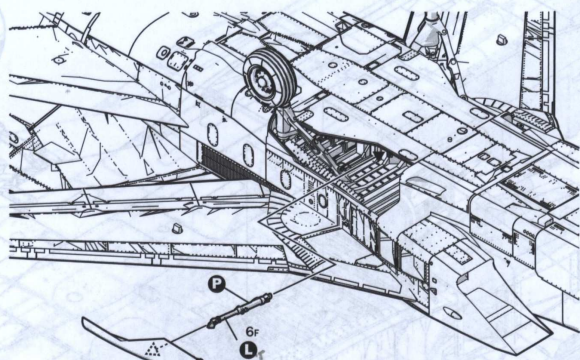




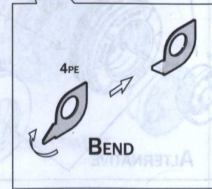
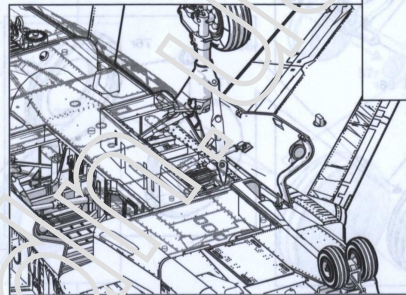
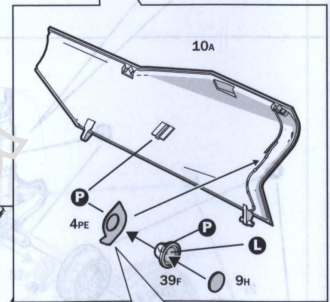
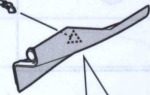
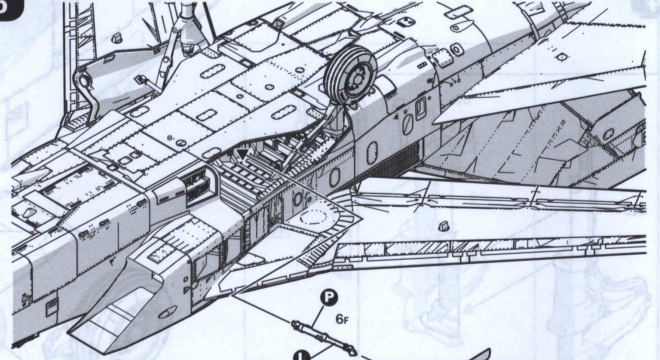




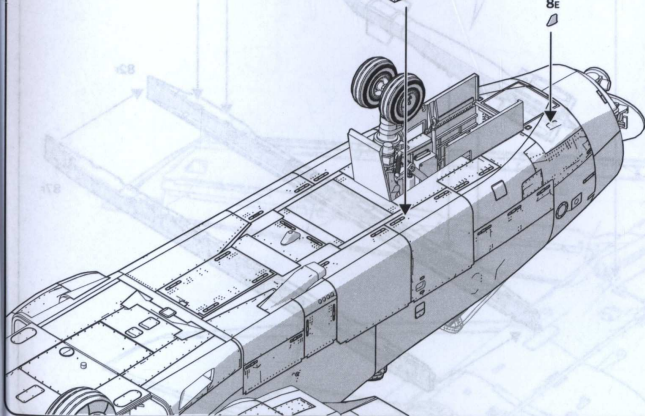
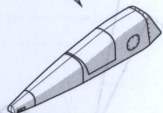
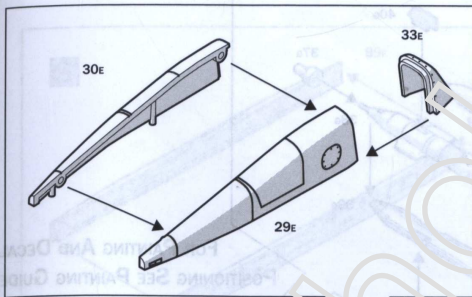
45



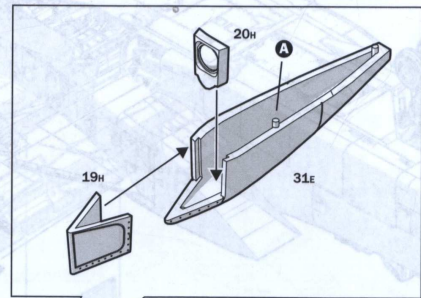
46



47



48



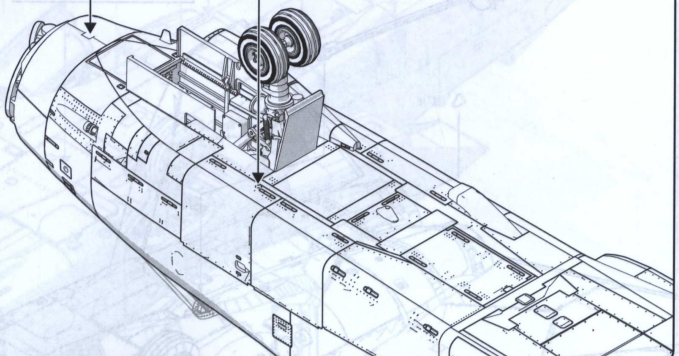
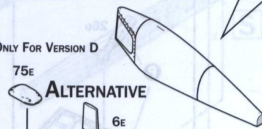
ONLY FOR VERSION D

75E

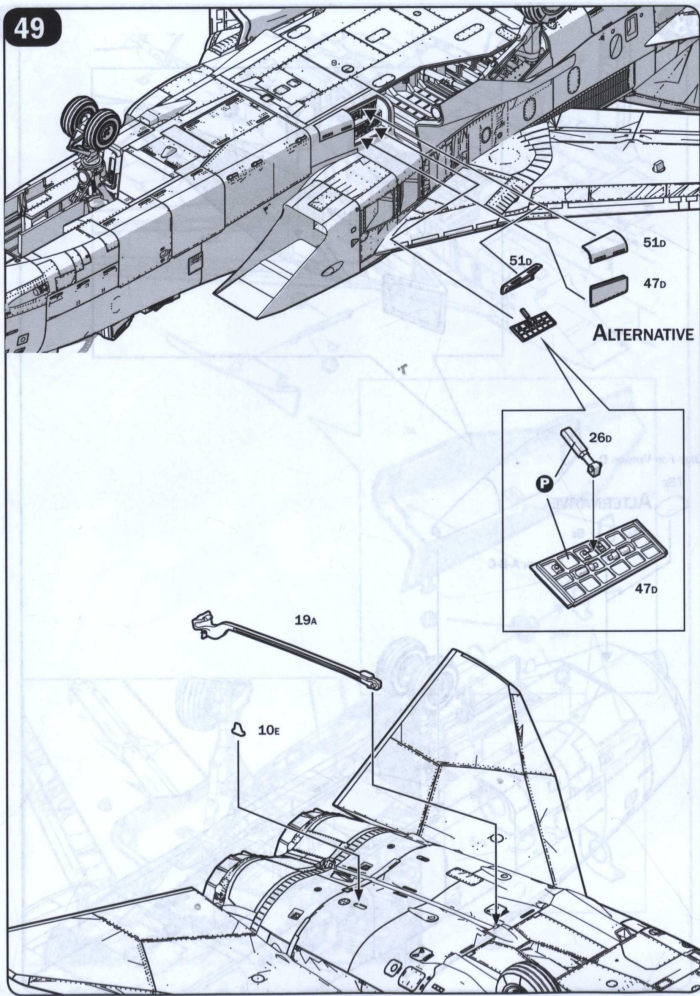
ALTERNATIVE

6E

VERSION A-B-C

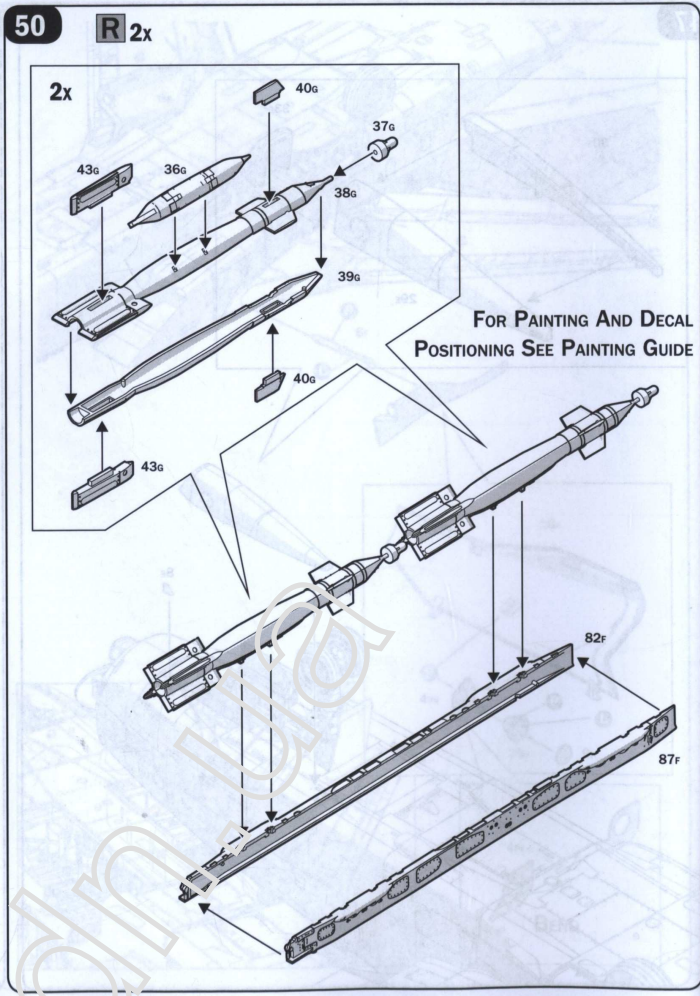


49

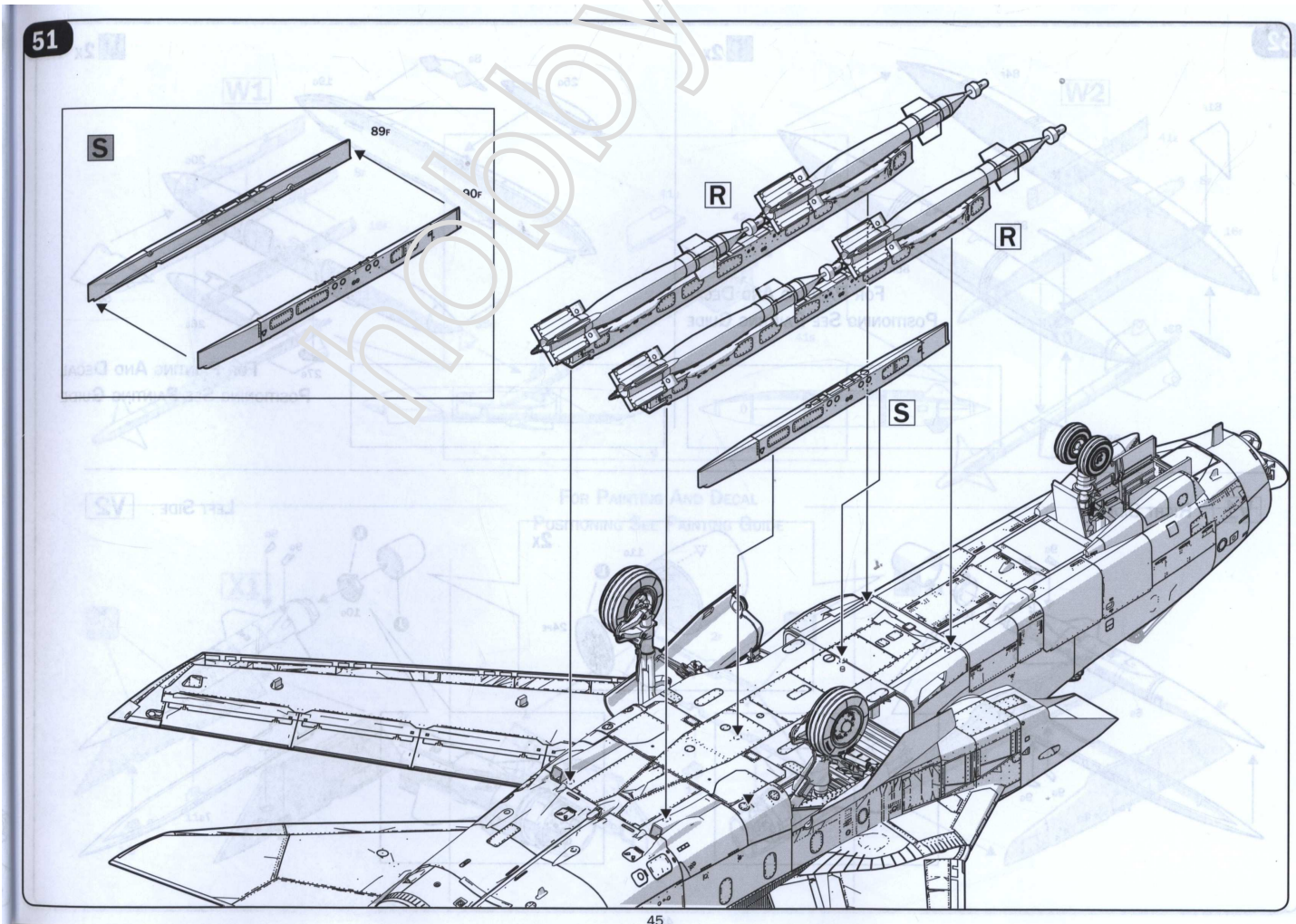


50

R 2x

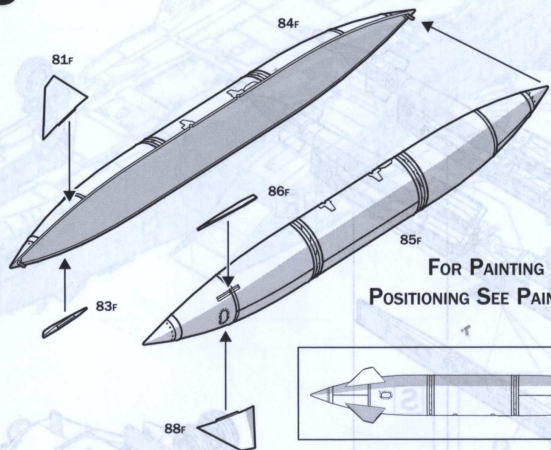


51



T 2x

U 2x

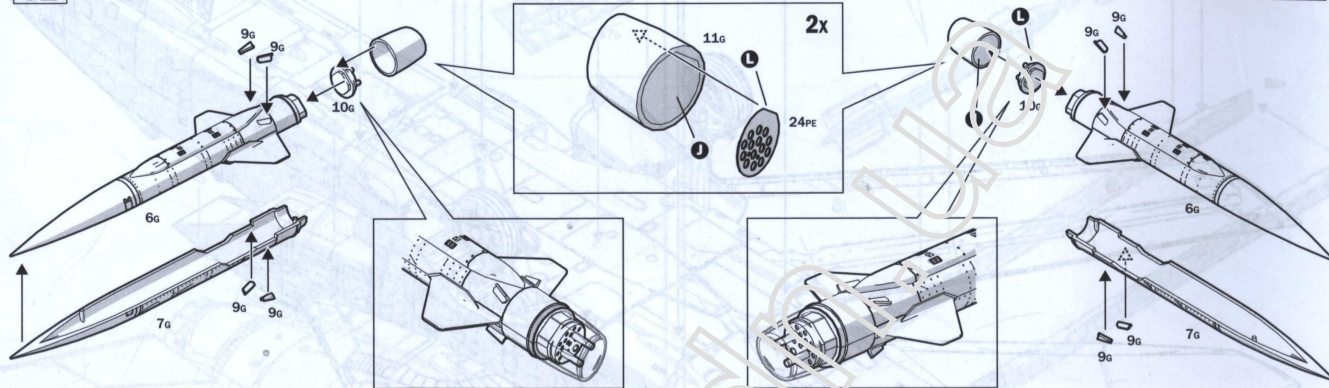


FOR PAINTING AND DECAL POSITIONING SEE PAINTING GUIDE

FOR PAINTING AND DECAL POSITIONING SEE PAINTING GUIDE

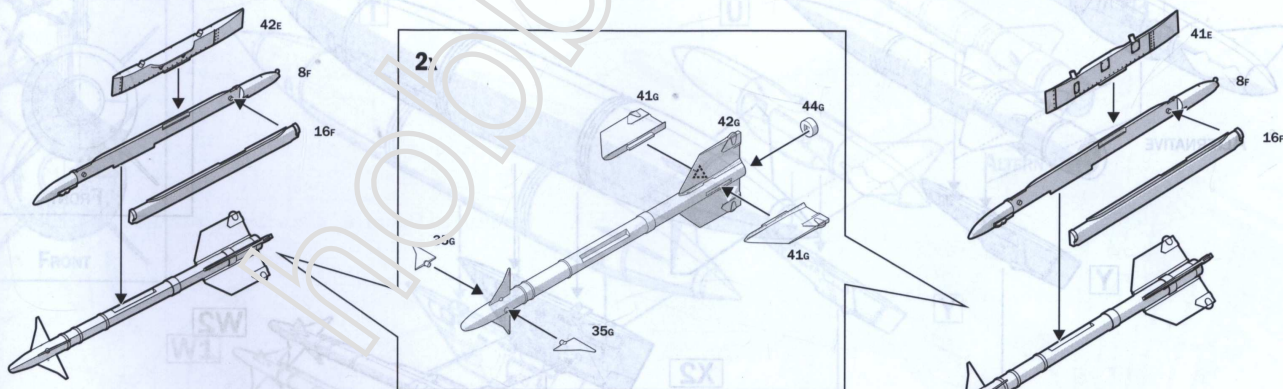
V1 RIGHT SIDE

LEFT SIDE V2



W1

W2

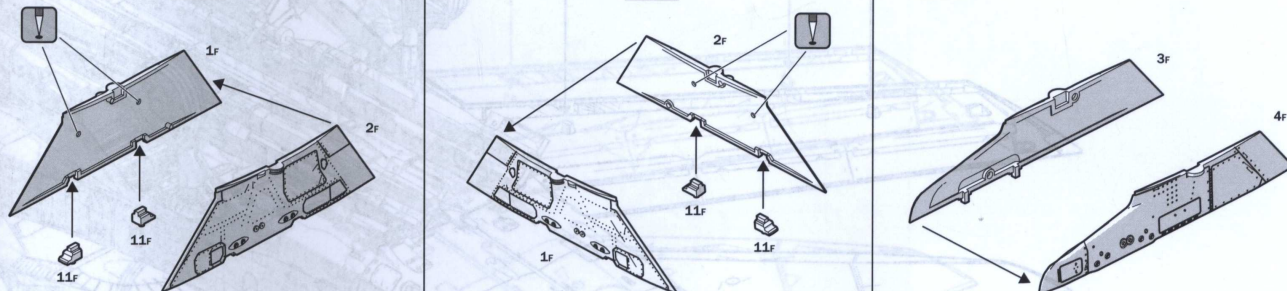


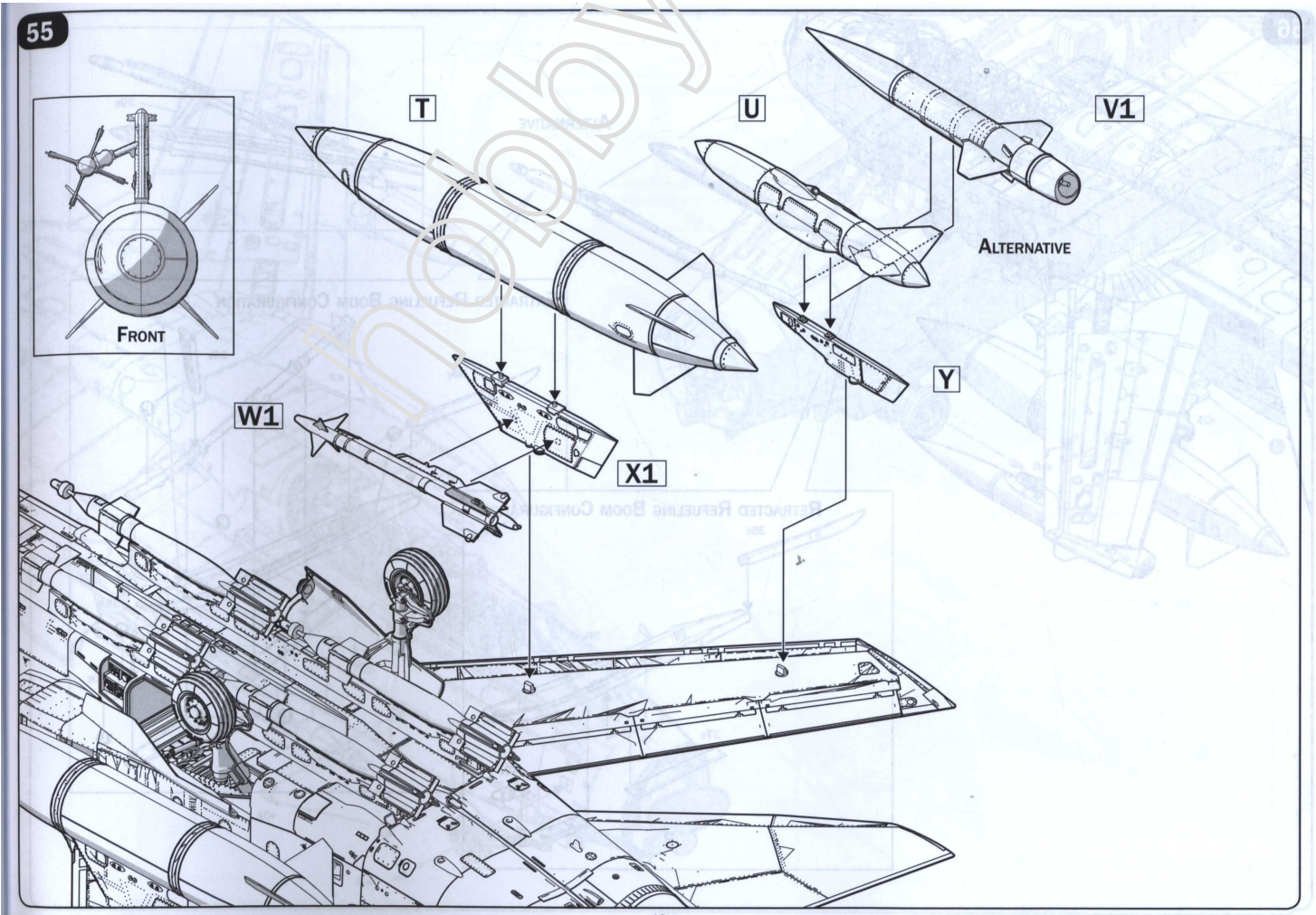
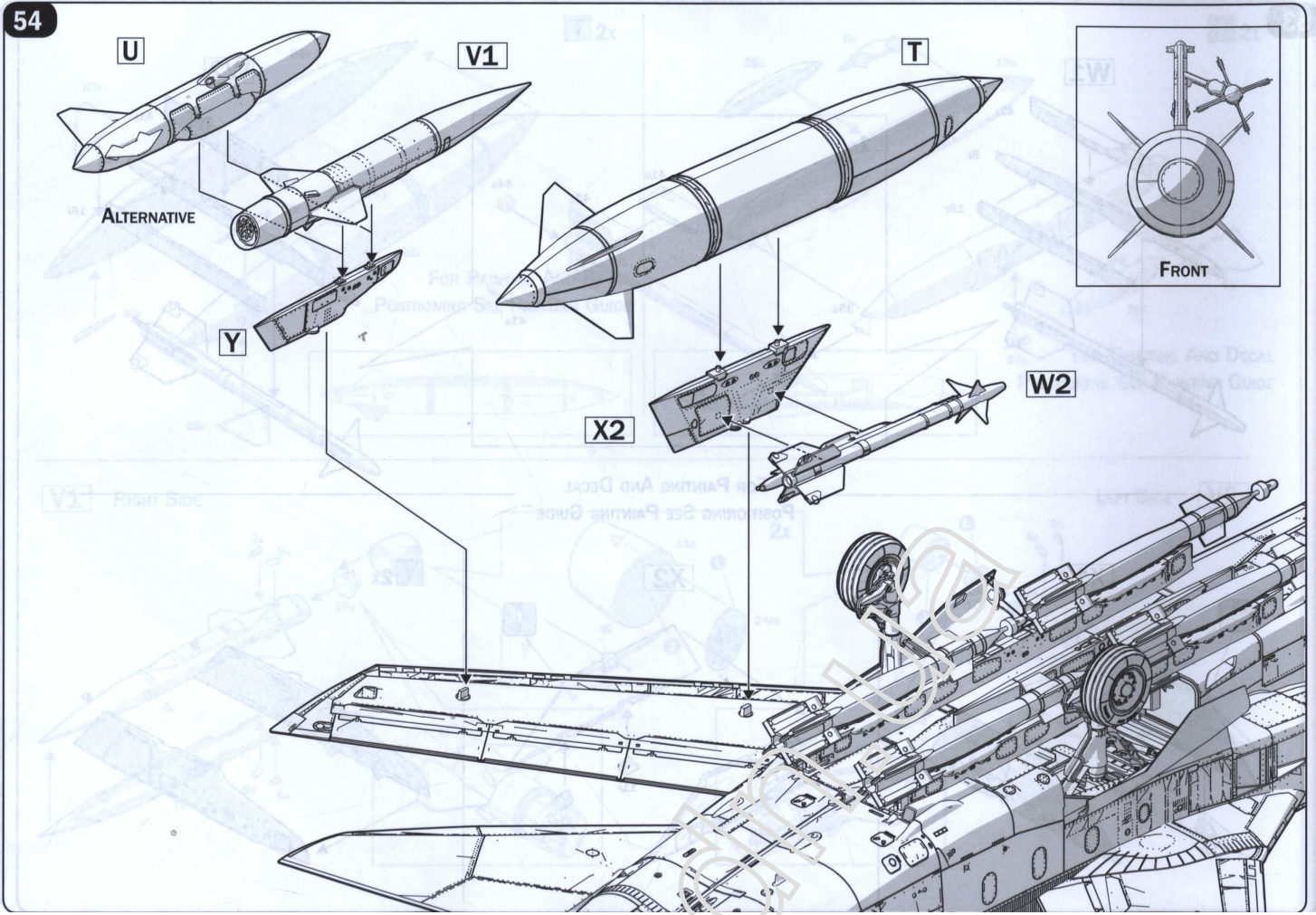
FOR PAINTING AND DECAL POSITIONING SEE PAINTING GUIDE

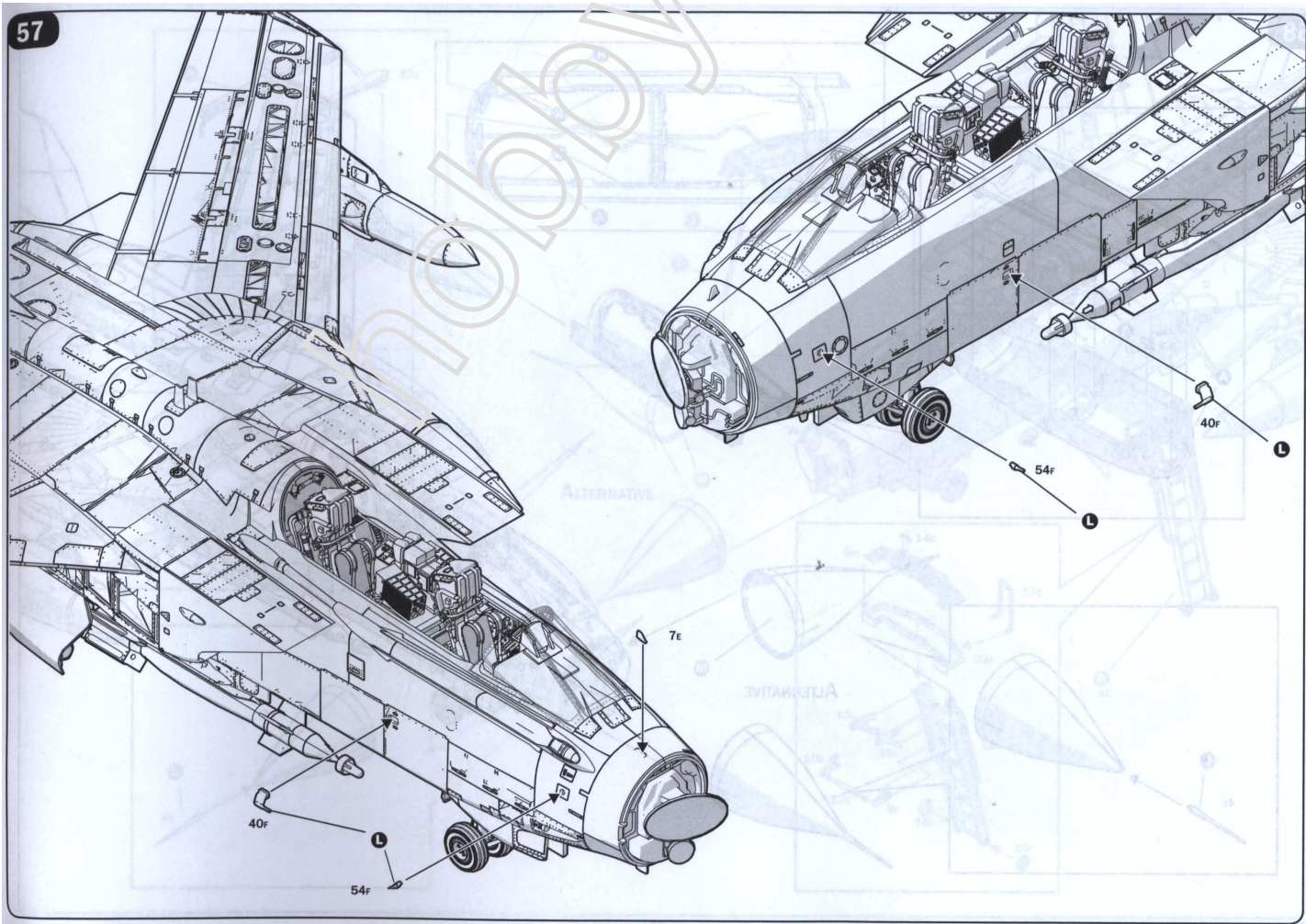
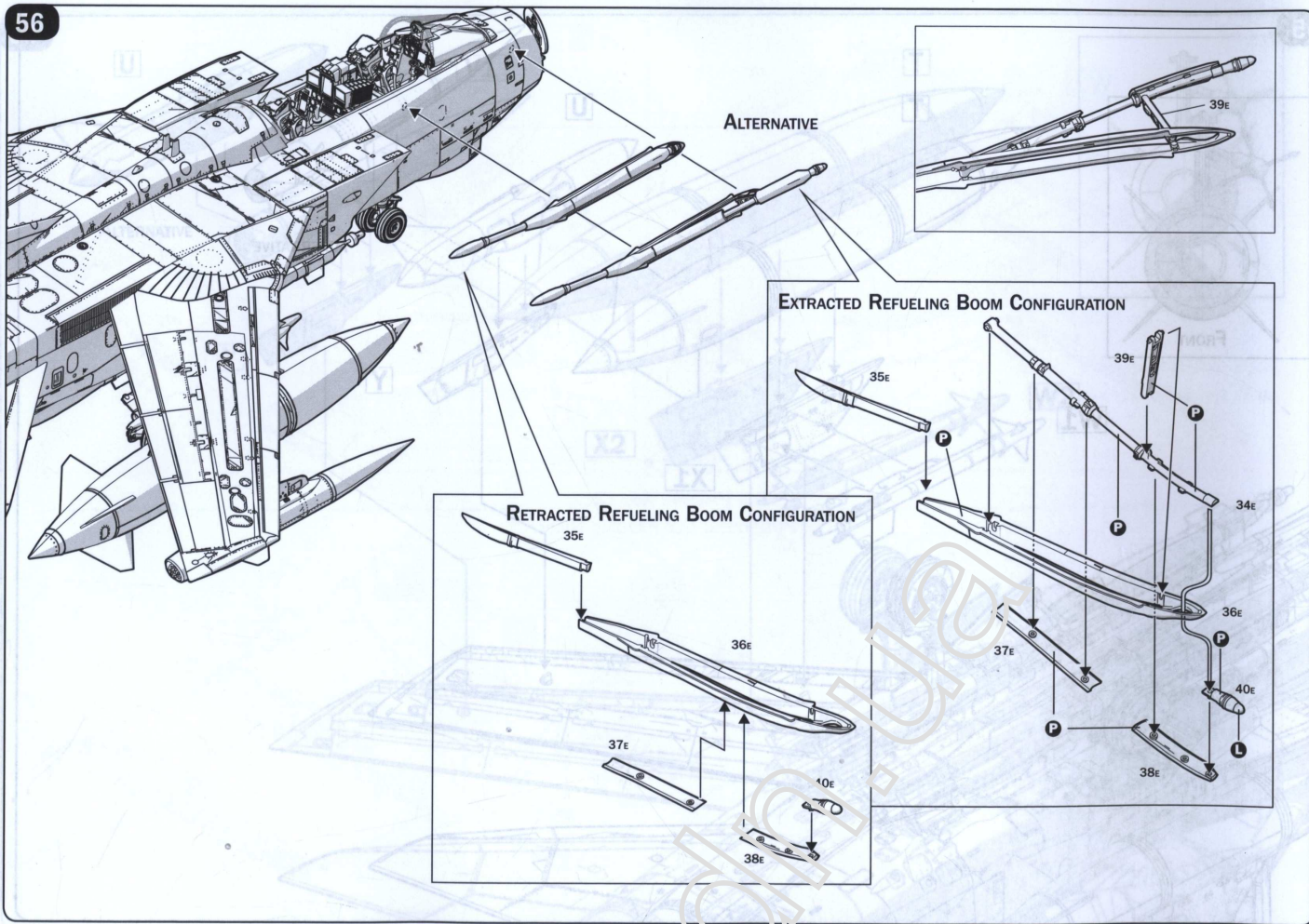
X1

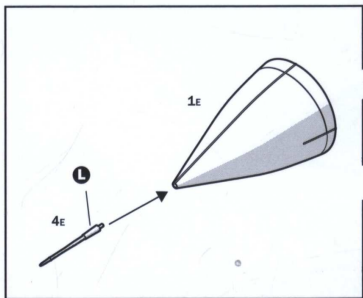
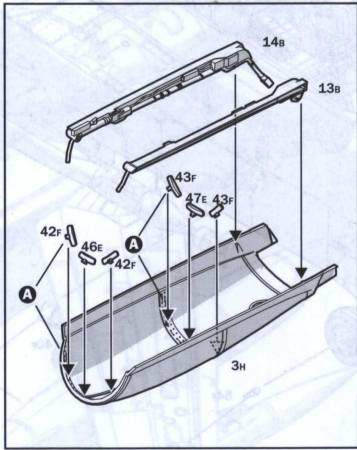
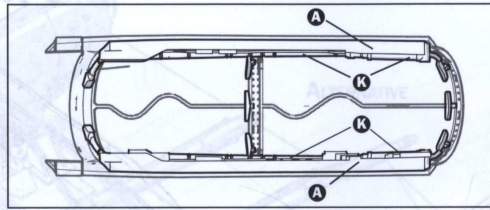
X2

Y 2x

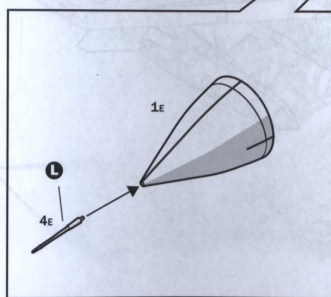
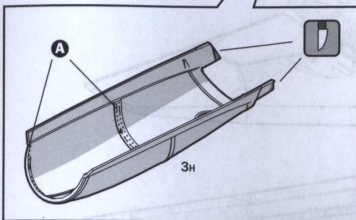
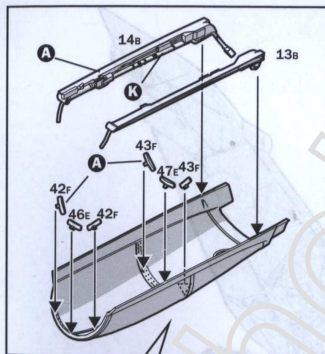
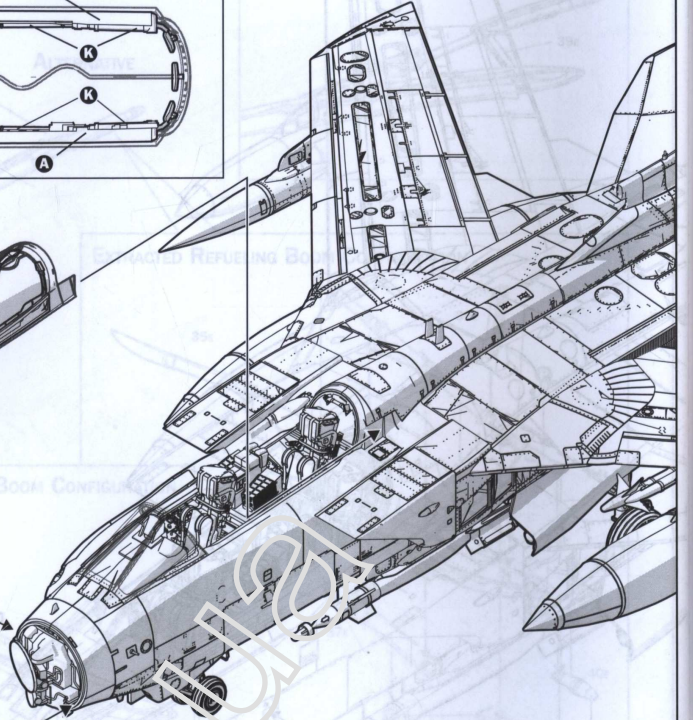
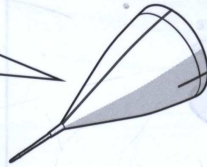
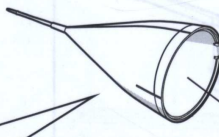
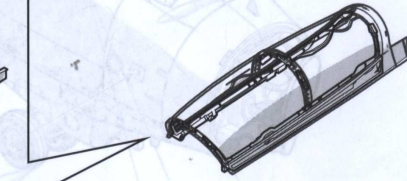




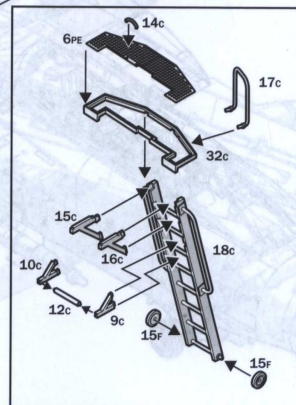
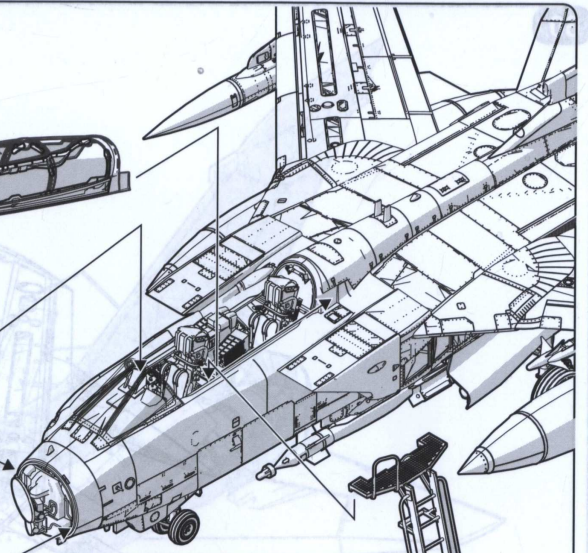
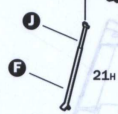




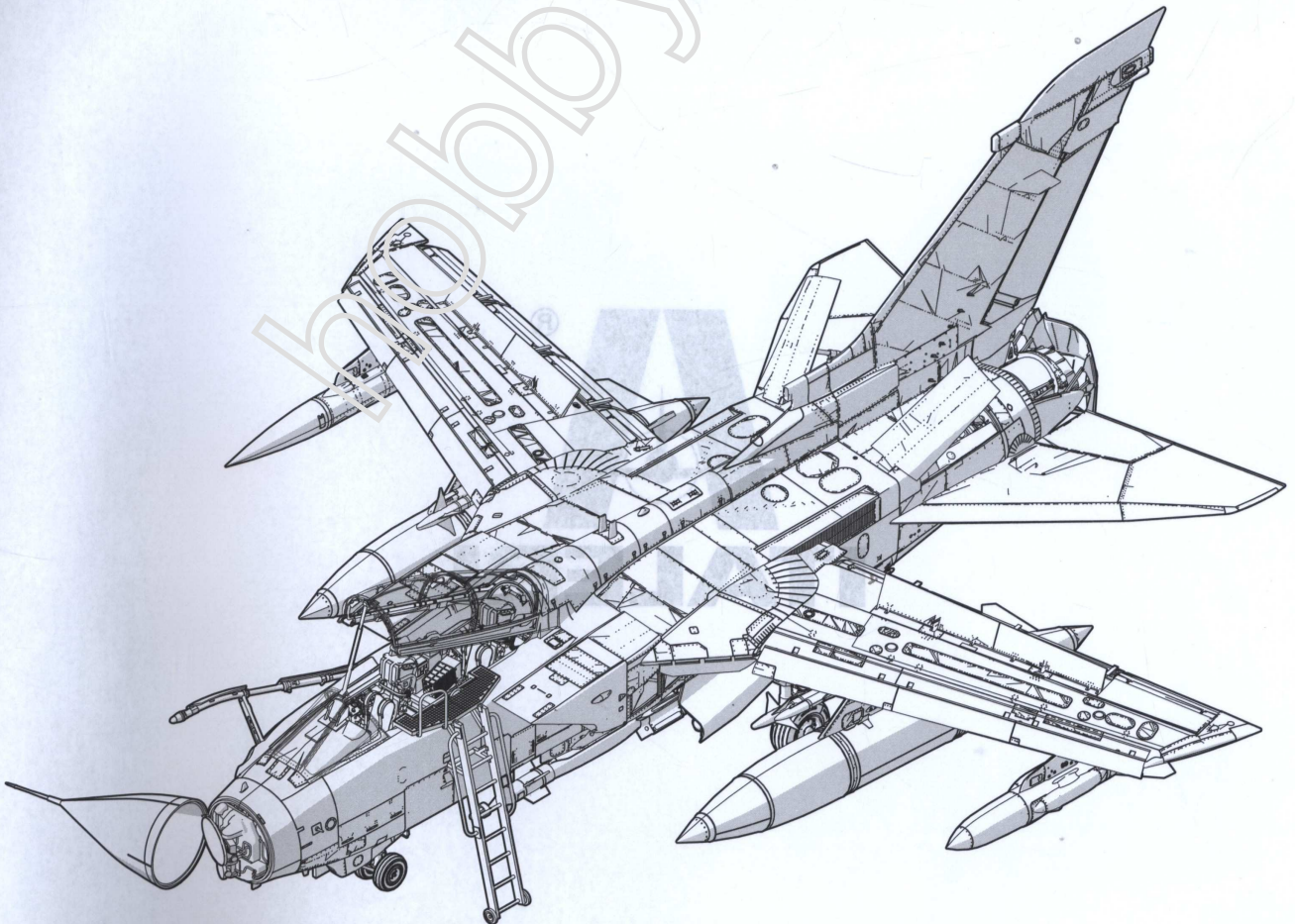
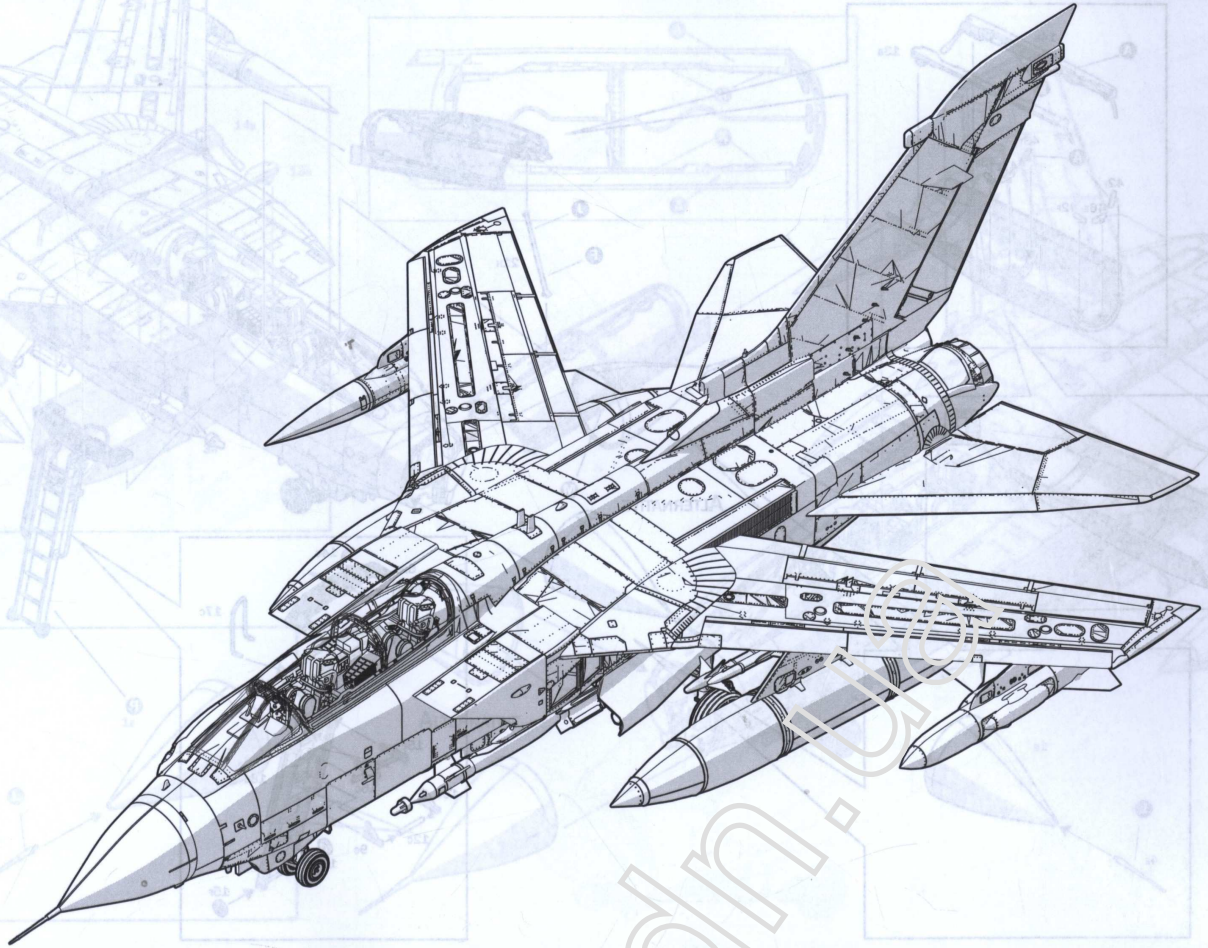
ALTERNATIVE



ALTERNATIVE



P



VERSION A

PANAVIA TORNADO GR.4, ROYAL AIR FORCE "DANGER MOUSE" - ZA 542, OPERATION "TELIC" IRAQ, 2003

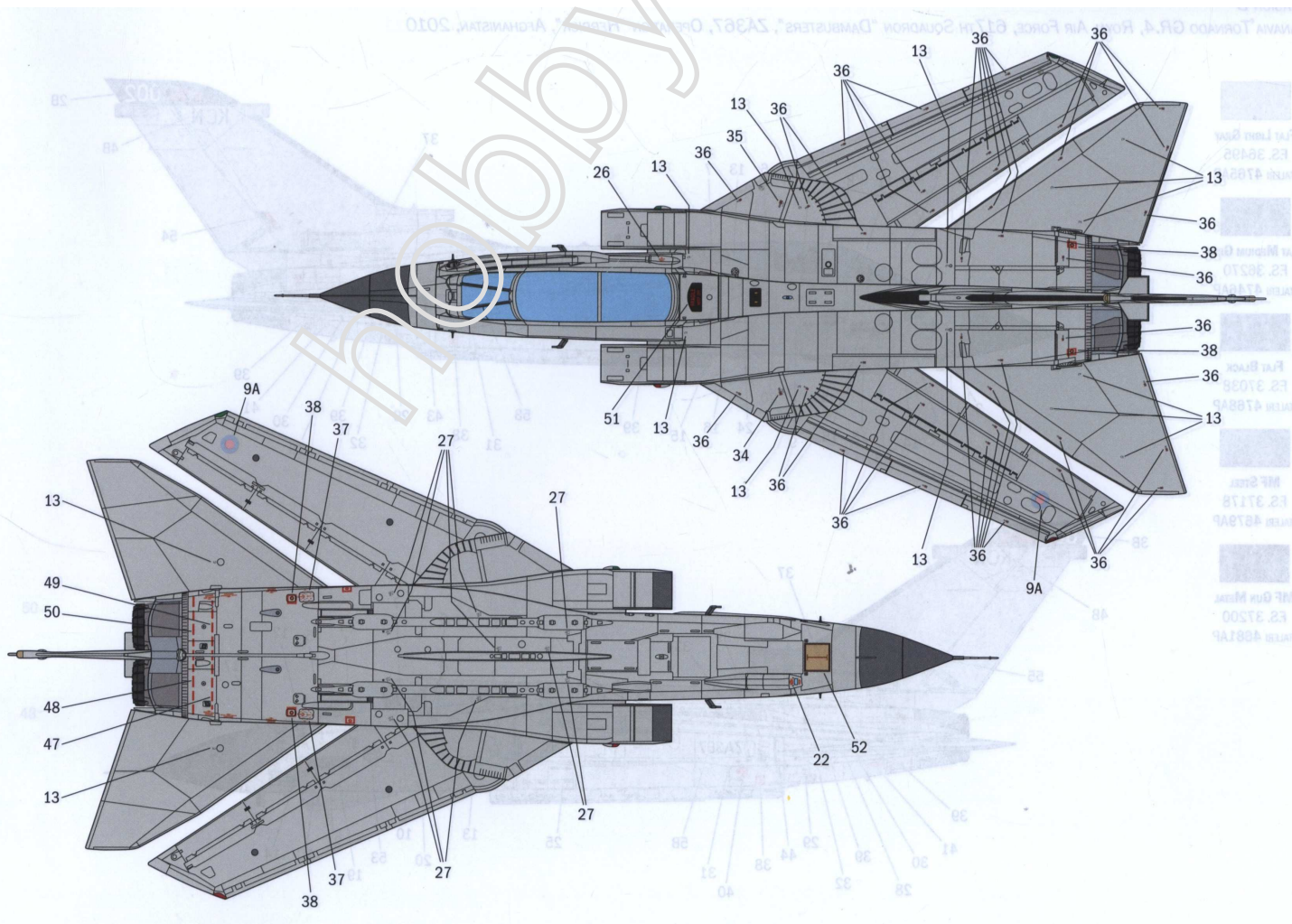
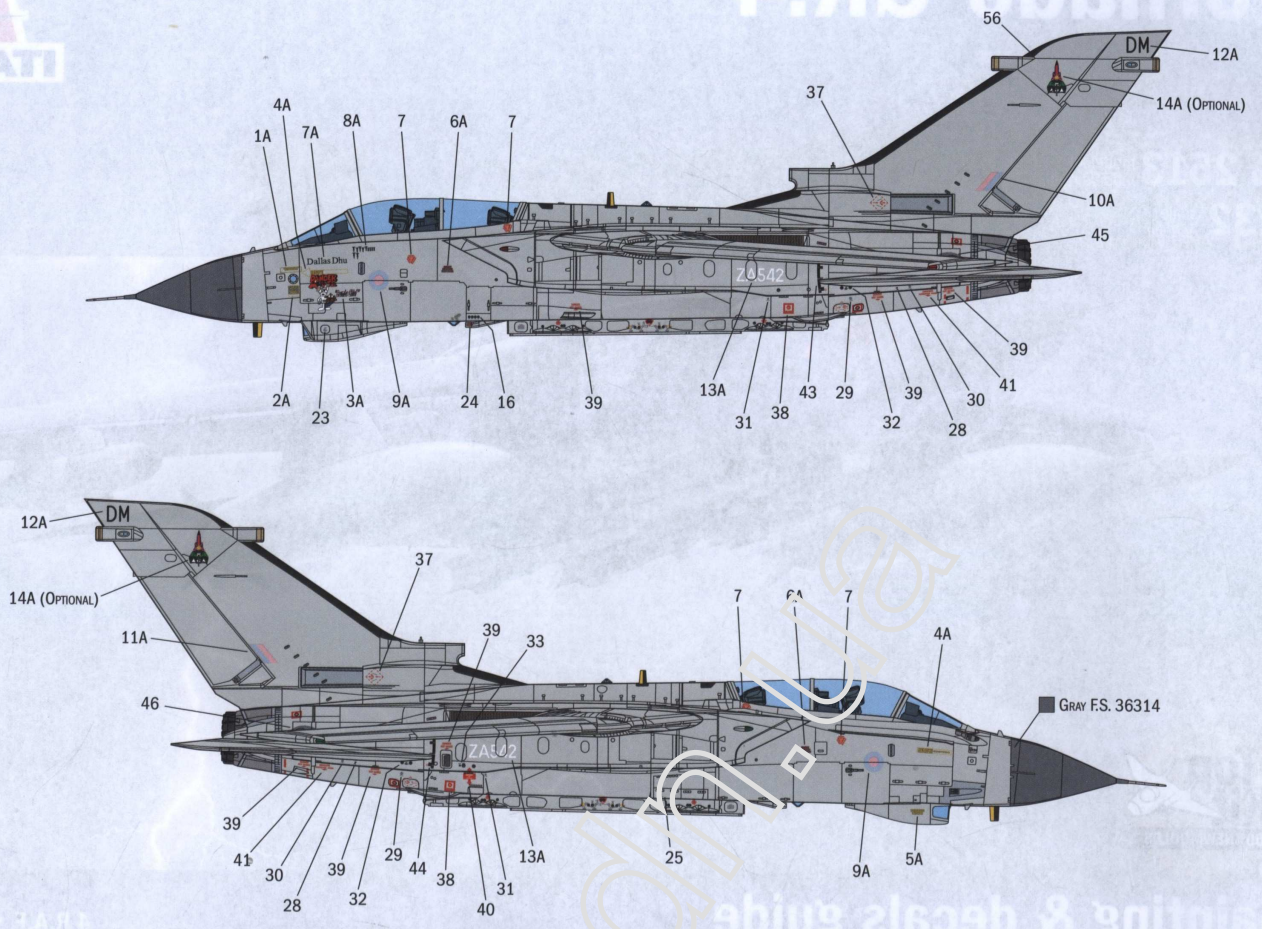

FLAT LIGHT GRAY
F.S. 36495
ITALERI 4765AP


FLAT MEDIUM GRAY
F.S. 36270
ITALERI 4746AP


FLAT BLACK
F.S. 37038
ITALERI 4768AP


MF STEEL
F.S. 37178
ITALERI 4679AP


MF GUN METAL
F.S. 37200
ITALERI 4681AP



VERSION B

PANAVIA TORNADO GR.4, ROYAL AIR FORCE, 617TH SQUADRON "DAMBUSTERS", ZA367, OPERATION "HERRICK", AFGHANISTAN, 2010

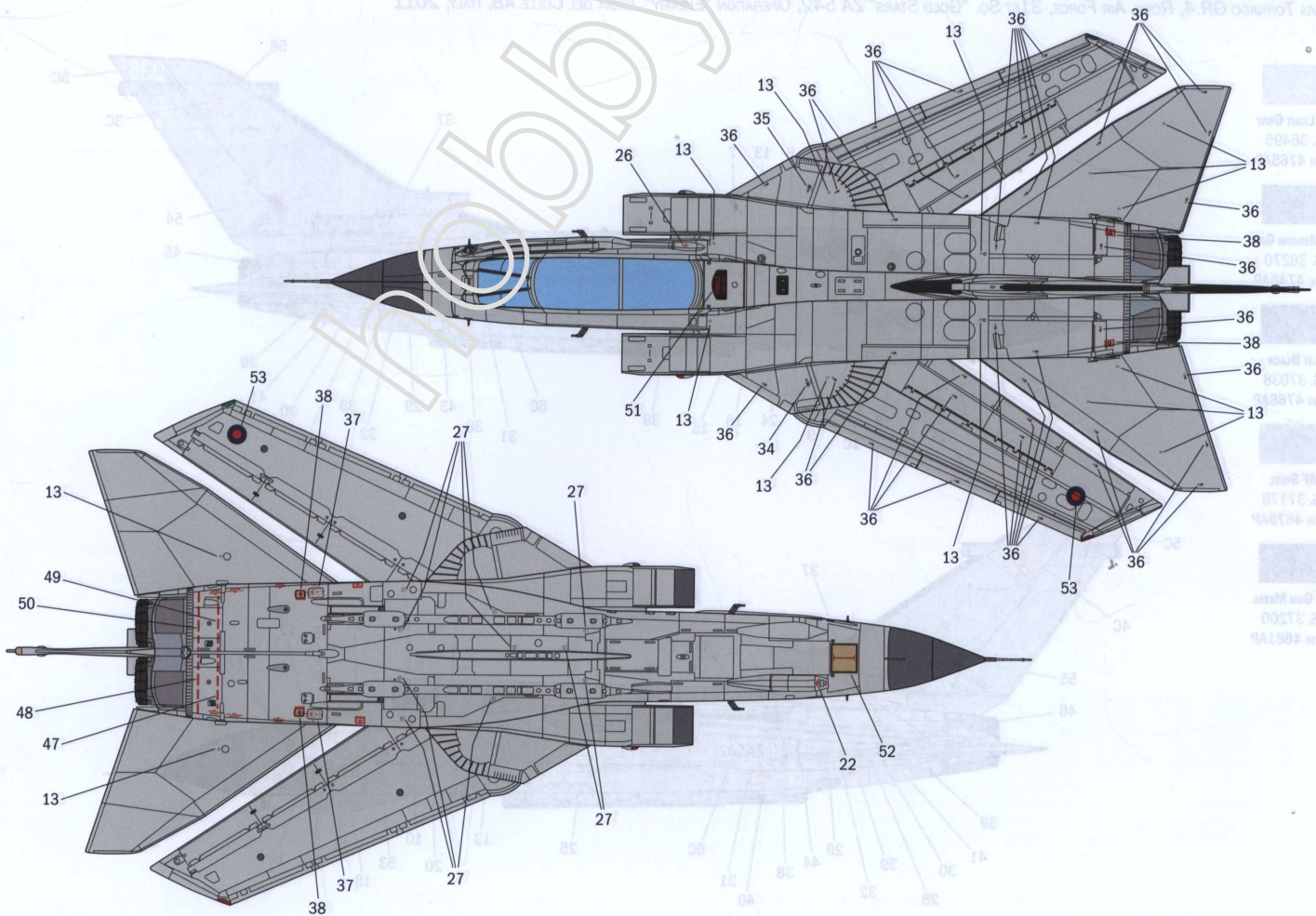
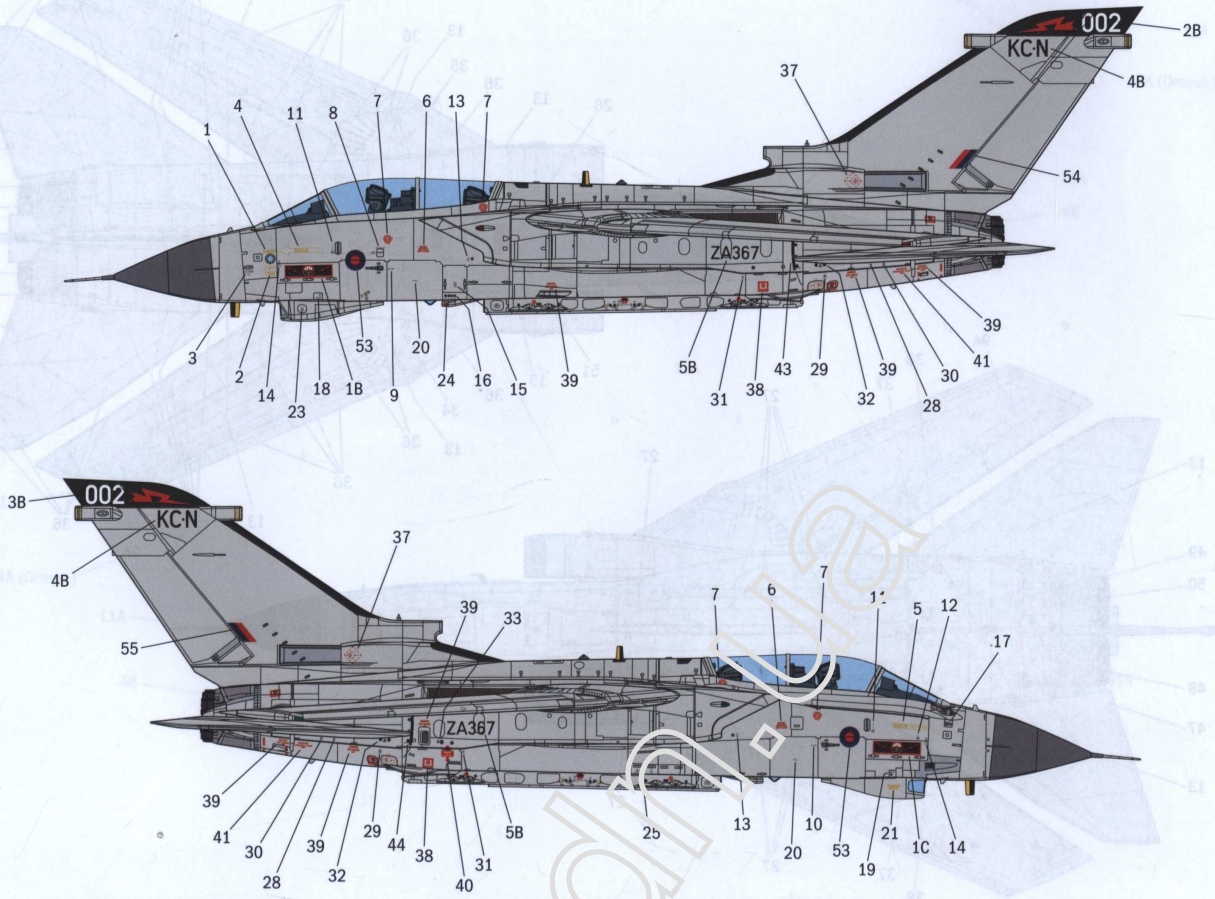
FLAT LIGHT GRAY
F.S. 36495
ITALERI 4765AP

FLAT MEDIUM GRAY
F.S. 36270
ITALERI 4746AP

FLAT BLACK
F.S. 37038
ITALERI 4768AP

MF STEEL
F.S. 37178
ITALERI 4679AP

MF GUN METAL
F.S. 37200
ITALERI 4681AP



VERSION C

PANAVIA TORNADO GR.4, ROYAL AIR FORCE, 31ST SQ. "GOLD STARS" ZA 542, OPERATION "ELLAMY", GIOIA DEL COLLE AB, ITALY, 2011

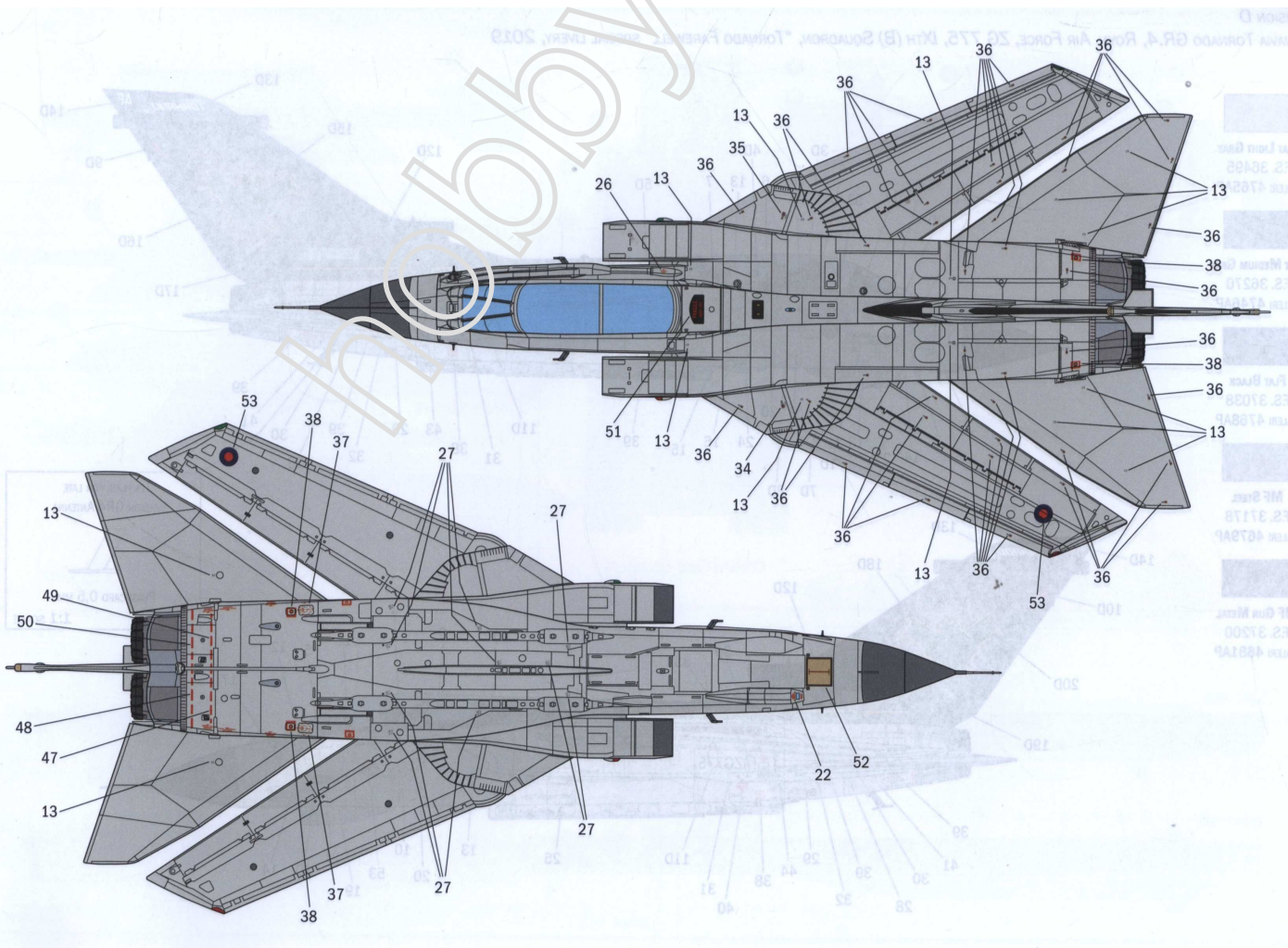
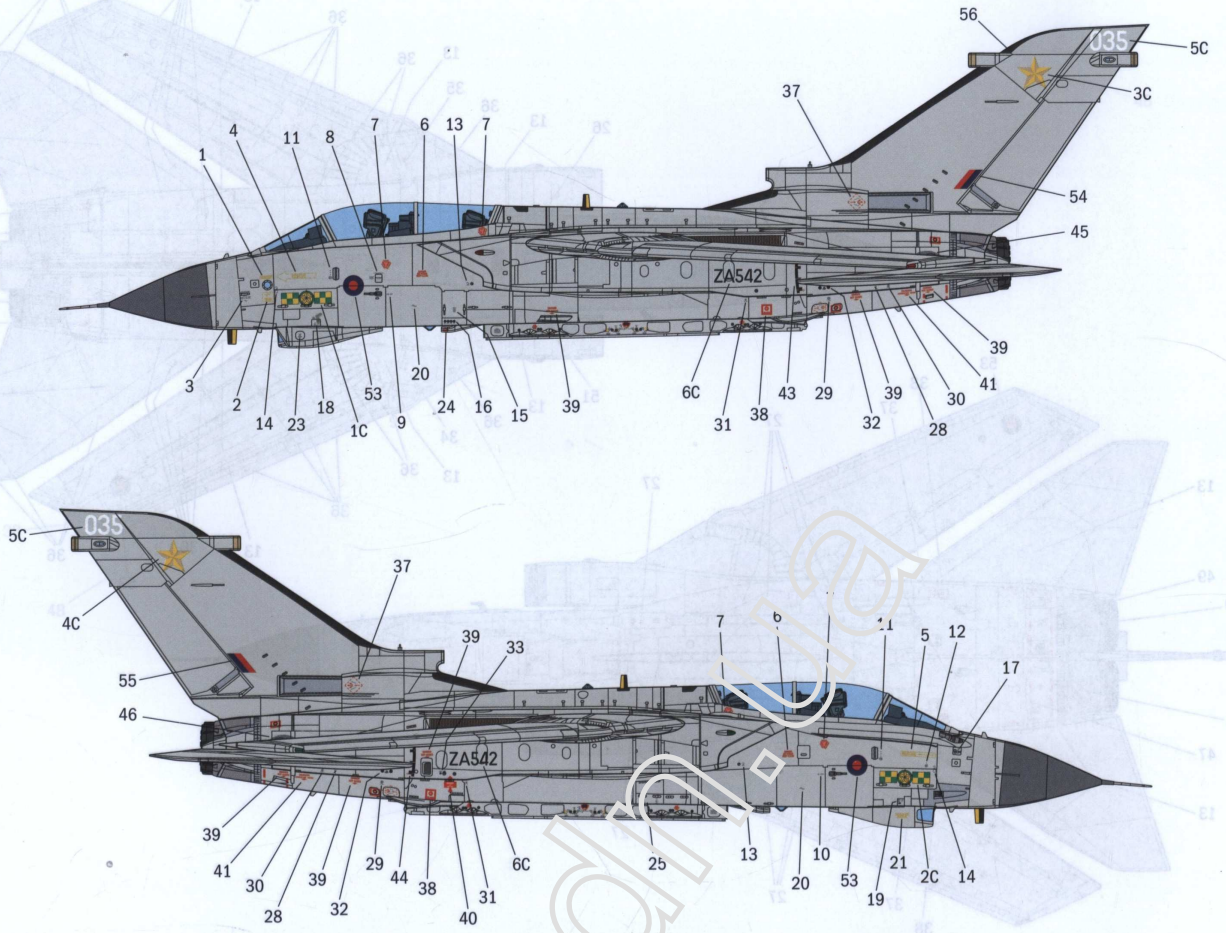
FLAT LIGHT GRAY
F.S. 36495
ITALERI 4765AP

FLAT MEDIUM GRAY
F.S. 36270
ITALERI 4746AP

FLAT BLACK
F.S. 37038
ITALERI 4768AP

MF STEEL
F.S. 37178
ITALERI 4679AP

MF GUN METAL
F.S. 37200
ITALERI 4681AP



VERSION D

PANAVIA TORNADO GR.4, ROYAL AIR FORCE, ZG 775, IXTH (B) SQUADRON, "TORNADO FAREWELL" SPECIAL LIVERY, 2019

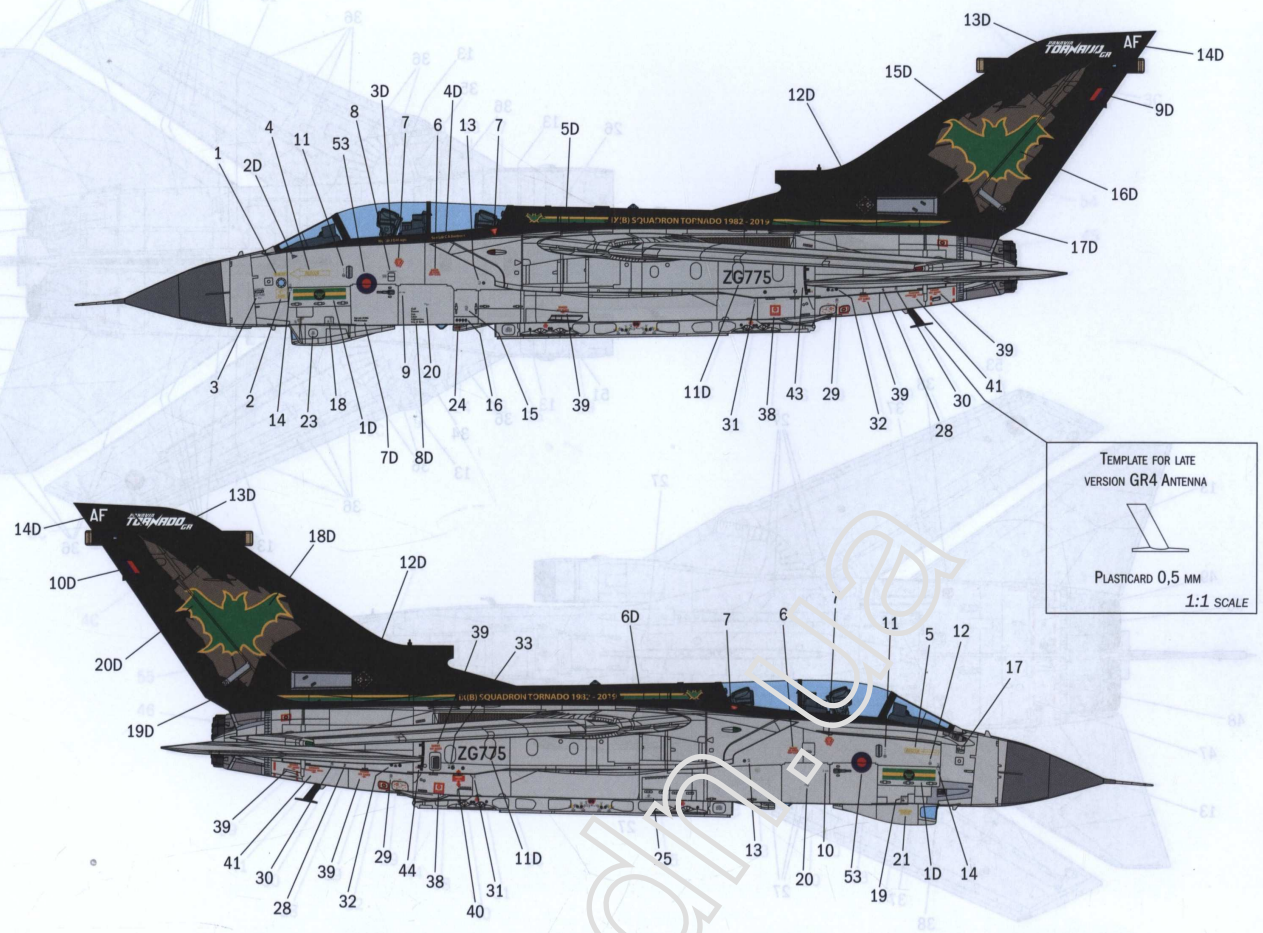
FLAT LIGHT GRAY
F.S. 36495
ITALERI 4765AP

FLAT MEDIUM GRAY
F.S. 36270
ITALERI 4746AP


FLAT BLACK
F.S. 37038
ITALERI 4768AP

MF STEEL
F.S. 37178
ITALERI 4679AP

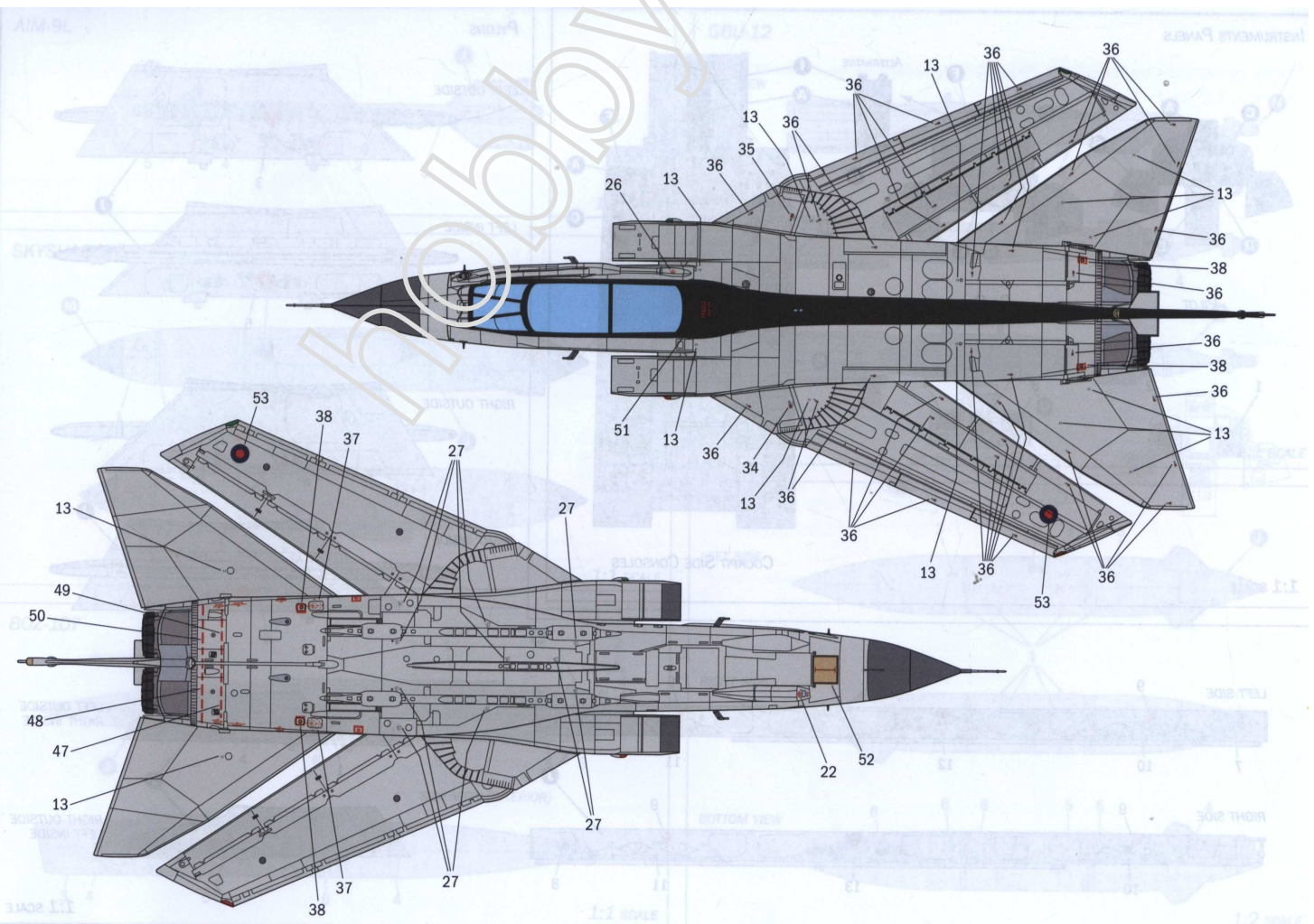
MF GUN METAL
F.S. 37200
ITALERI 4681AP



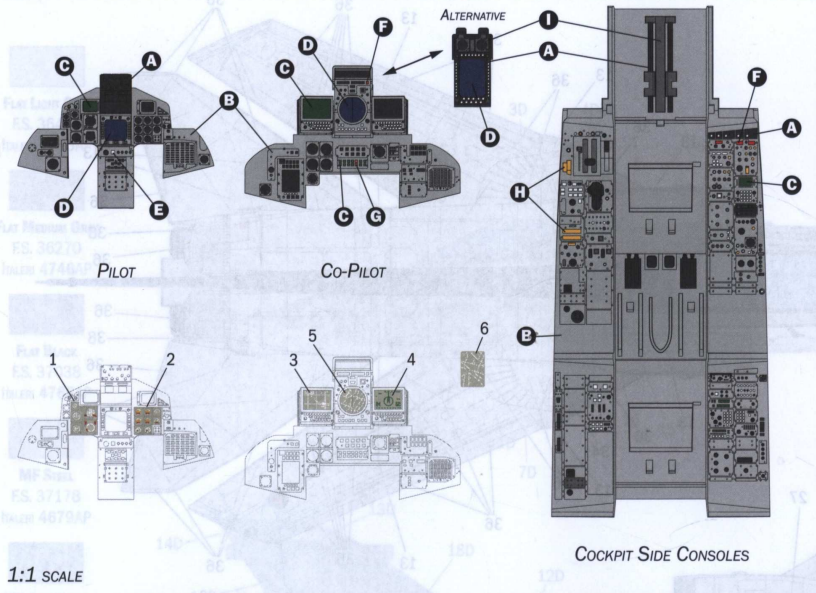
TEMPLATE FOR LATE
VERSION GR4 ANTENNA



PLASTICARD 0,5 MM
1:1 SCALE

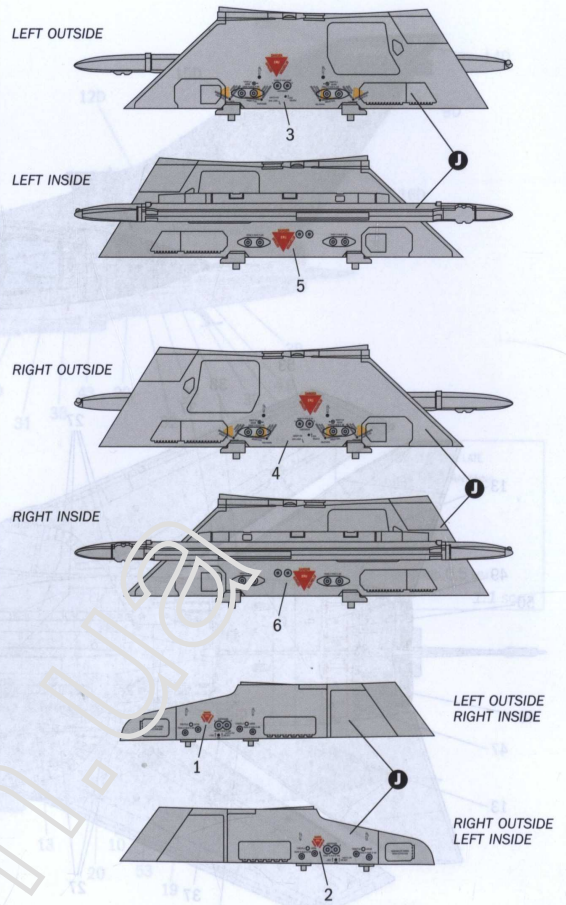


INSTRUMENTS PANELS

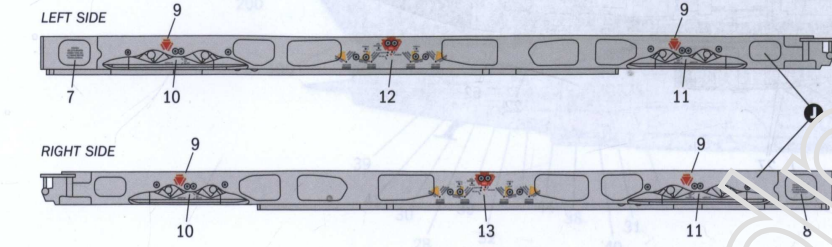


1:1 SCALE

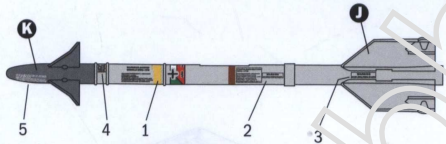
PYLONS



1:1 SCALE

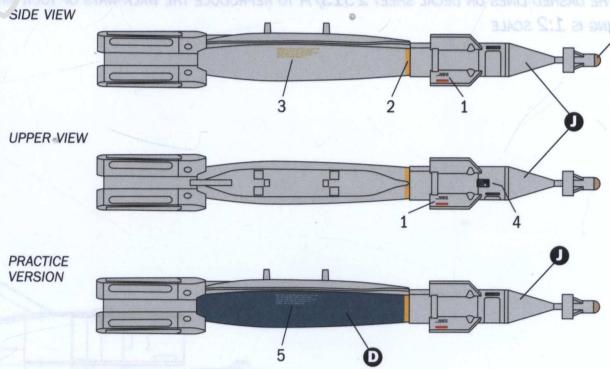


AIM-9L



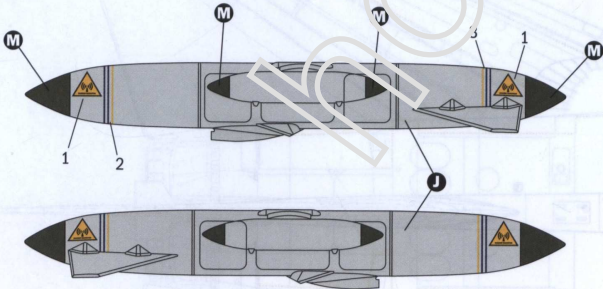
1:1 SCALE

GBU-12



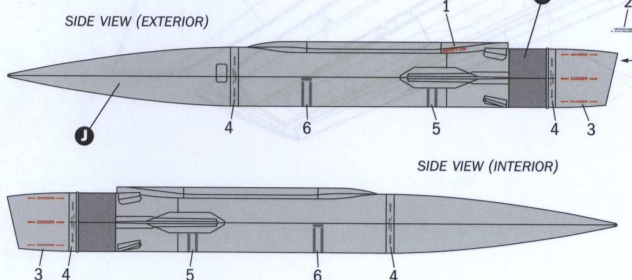
1:1 SCALE

SKYSHADOW



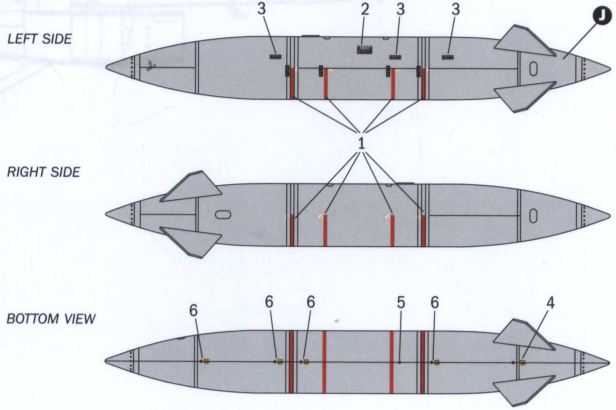
1:1 SCALE

BOZ-107



1:1 SCALE

TANKS



1:2 SCALE

WALK-WAYS

USE THE DASHED LINES ON DECAL SHEET 2513/A TO REPRODUCE THE WALK-WAYS OF YOUR AIRCRAFT
DRAWING IS 1:2 SCALE

