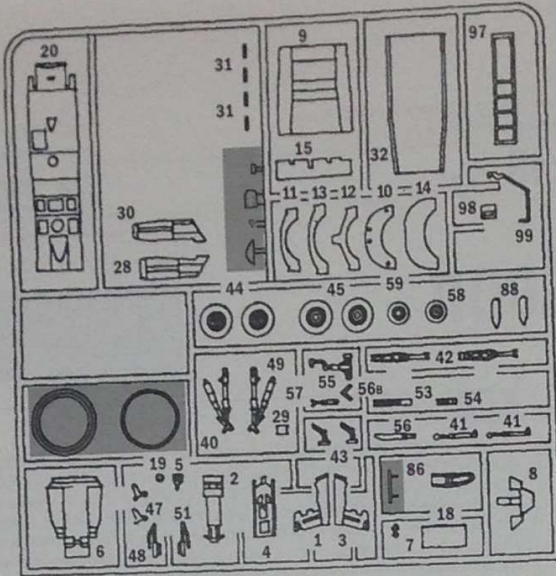
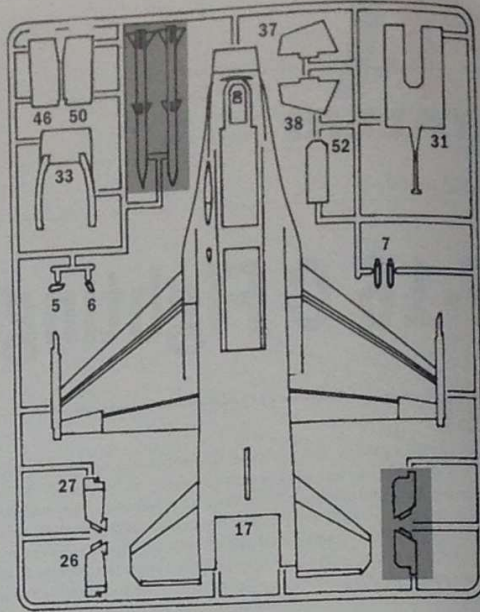




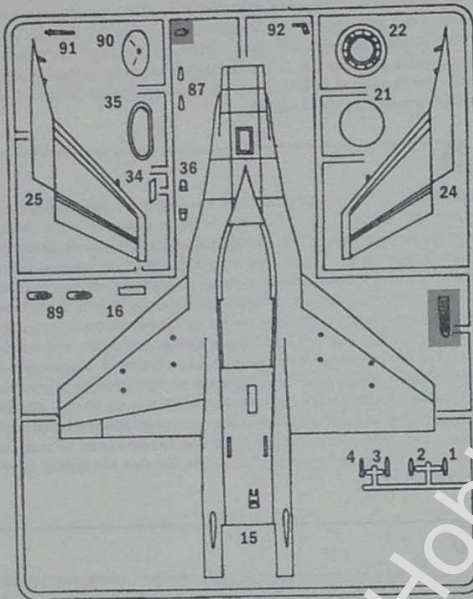
A



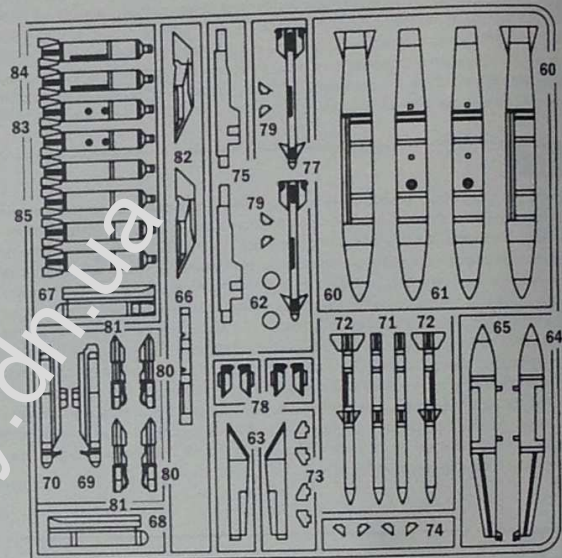
B



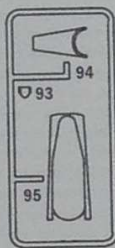
C



D



E



Parti da non utilizzare  
Parts not for use  
Pieces a ne pas utiliser  
Teile werden nichtverwendet



Add a weight  
Fügen Sie ein Gewicht  
Aggiungere un peso  
Ajouter un poids



Aprire i fori  
Drill holes  
Ouvrir les trous  
Die Locher Aushohren



Separare  
Cut  
Retirer  
Entfernen

### SUGGESTED COLORS

**F**  
METAL GLOSS SILVER  
FS. 17178  
ITALERI ACRYLPAINT - 4678AP

**G**  
GLOSS GREEN  
FS. 14090  
ITALERI ACRYLPAINT - 4669AP

**H**  
FLAT GUN METAL  
FS. 37200  
ITALERI ACRYLPAINT - 4681AP

**I**  
GLOSS RED  
FS. 11302  
ITALERI ACRYLPAINT - 4605AP

**K**  
FLAT LIGHT GRAY  
FS. 36485  
ITALERI ACRYLPAINT - 4765AP

**L**  
METAL FLAT ALUMINUM  
FS. 37178  
ITALERI ACRYLPAINT - 4677AP

**A**  
FLAT GUNSHIP GRAY  
FS. 34084  
ITALERI ACRYLPAINT - 4752AP

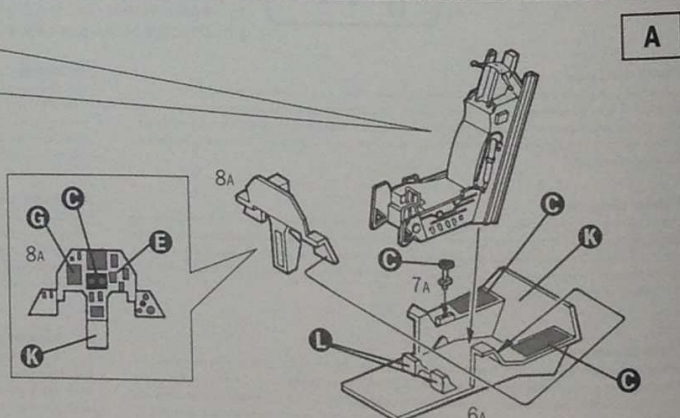
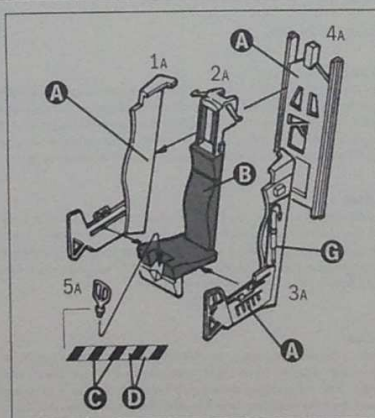
**B**  
FLAT OLIVE DRAB  
FS. 34084  
ITALERI ACRYLPAINT - 4728AP

**C**  
FLAT BLACK  
FS. 37038  
ITALERI ACRYLPAINT - 4768AP

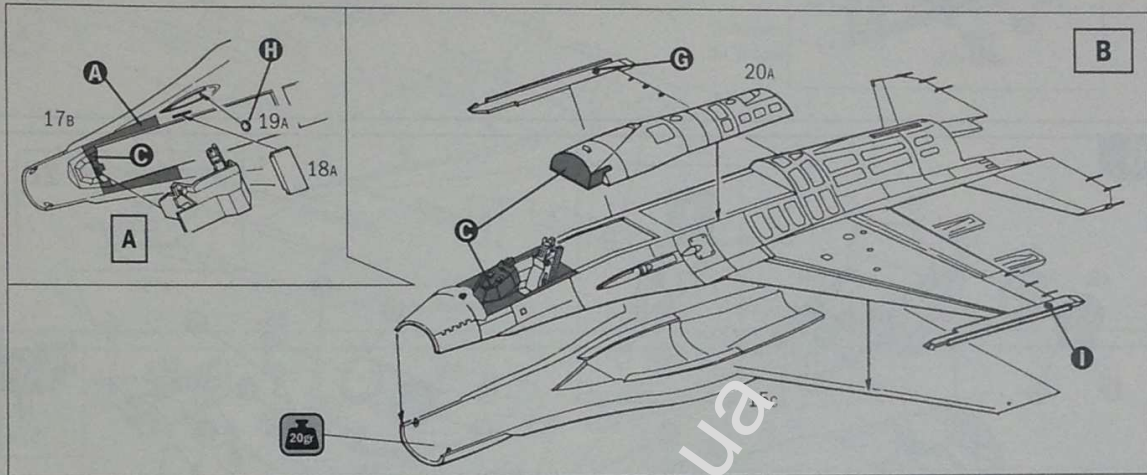
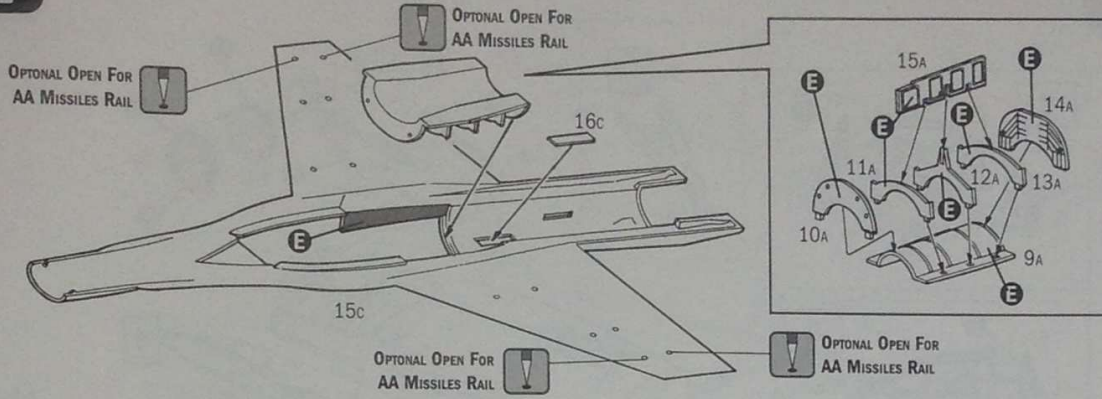
**D**  
FLAT INSIGNA YELLOW  
FS. 33538  
ITALERI ACRYLPAINT - 4721AP

**E**  
FLAT WHITE  
FS. 37875  
ITALERI ACRYLPAINT - 4769AP

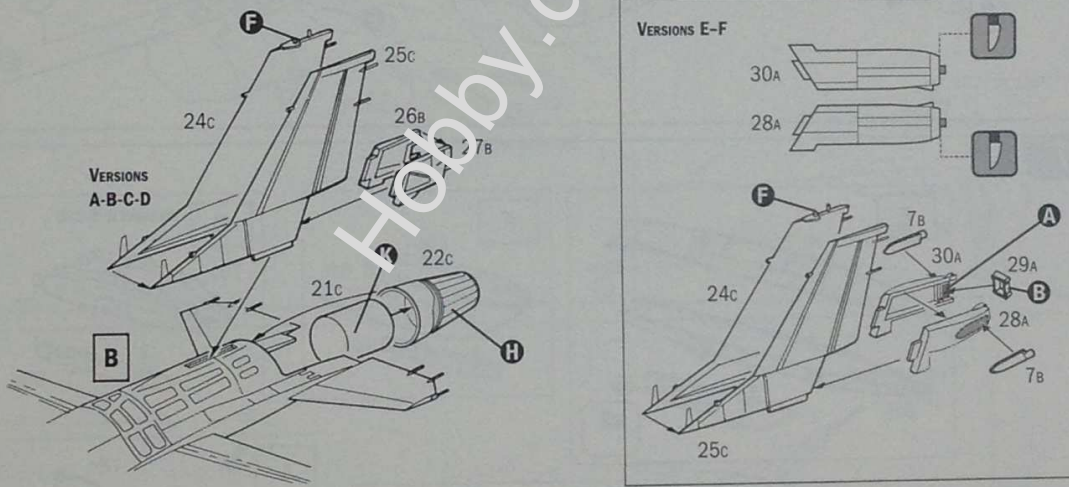
1



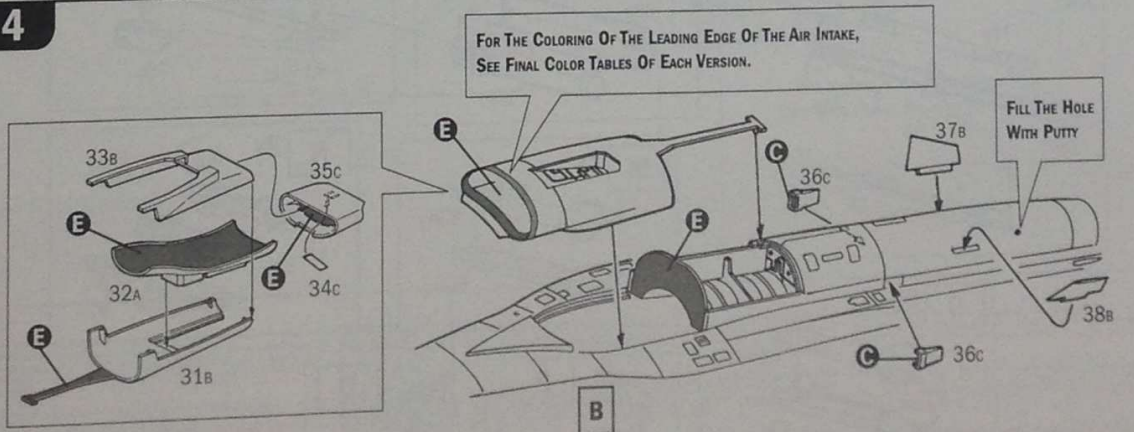
2



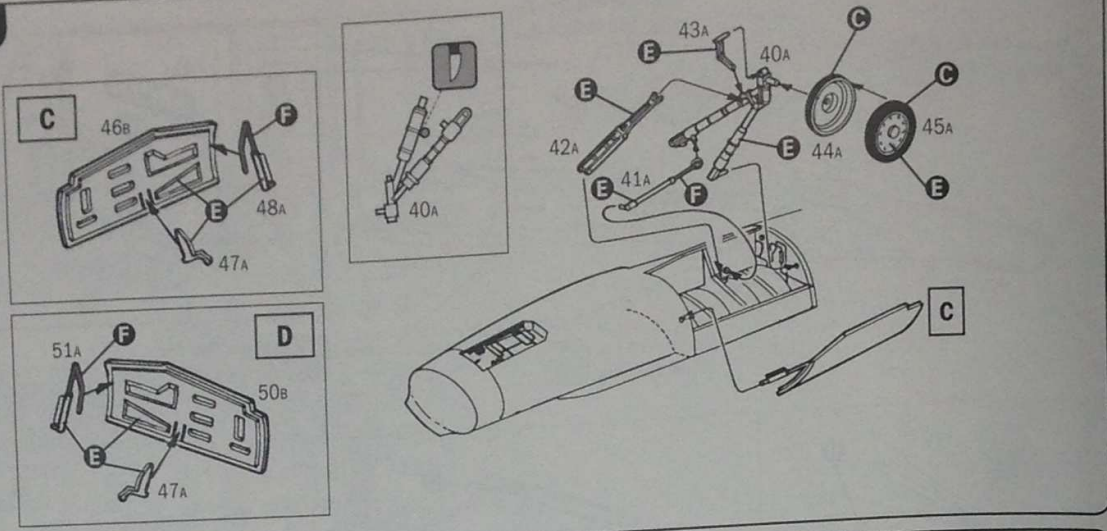
3



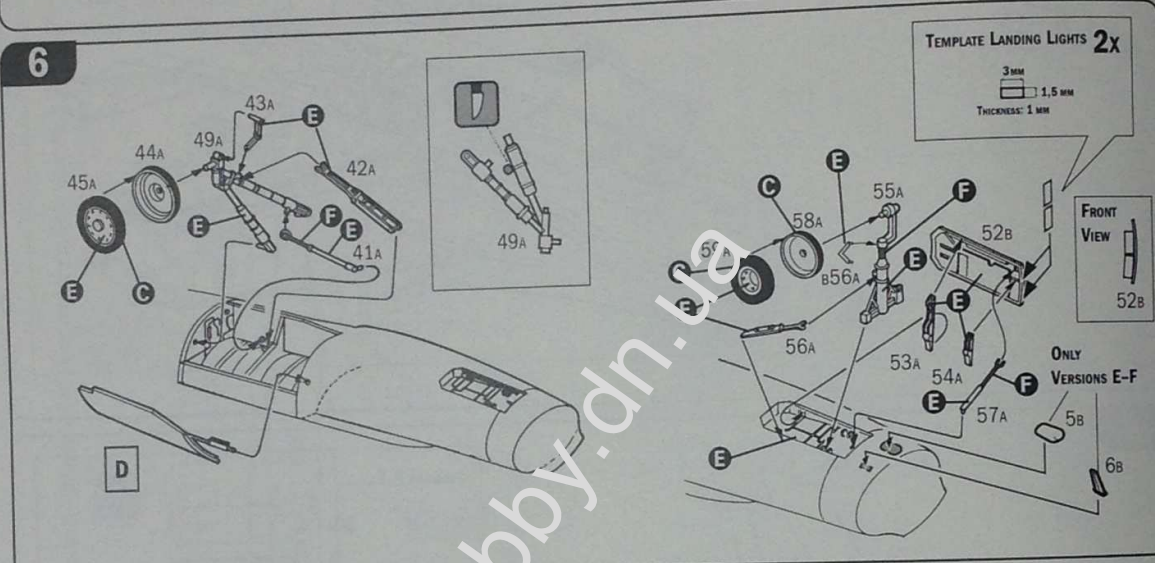
4



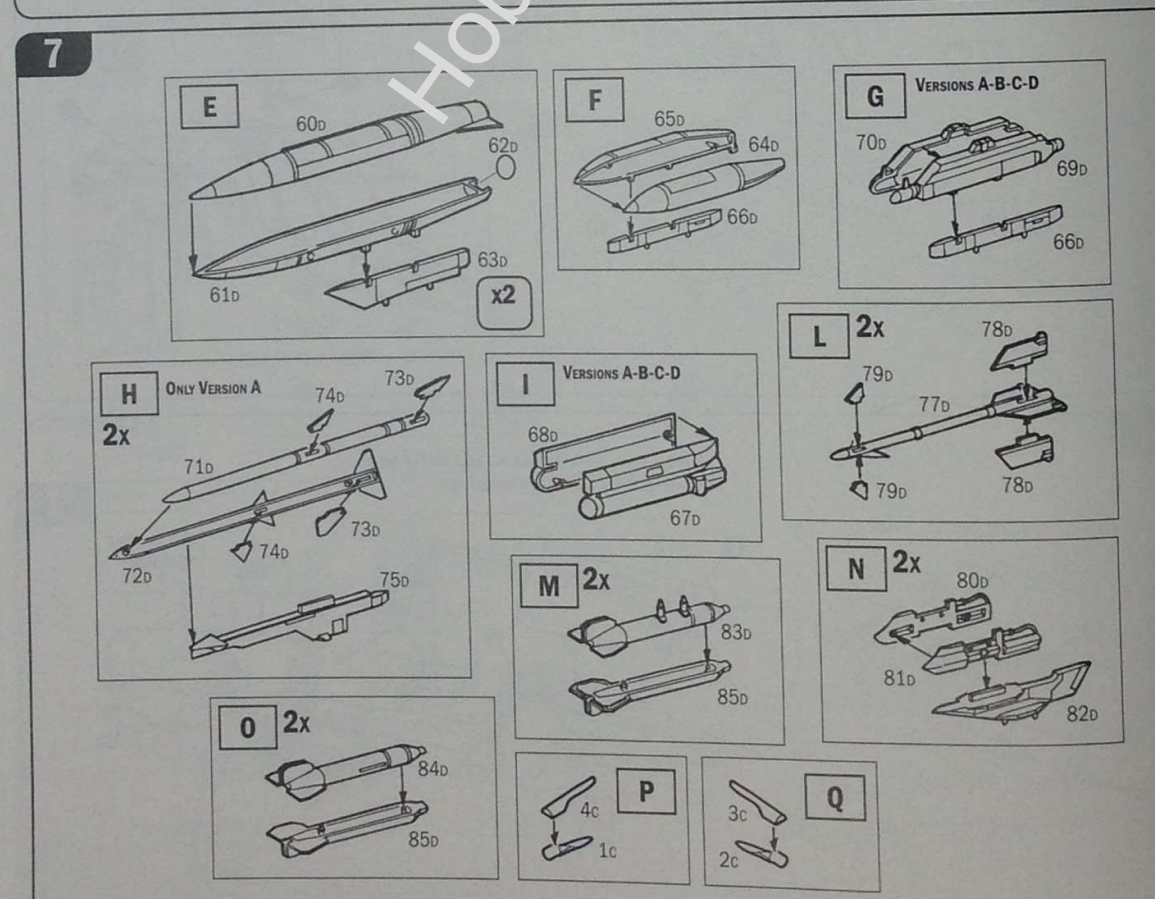
5

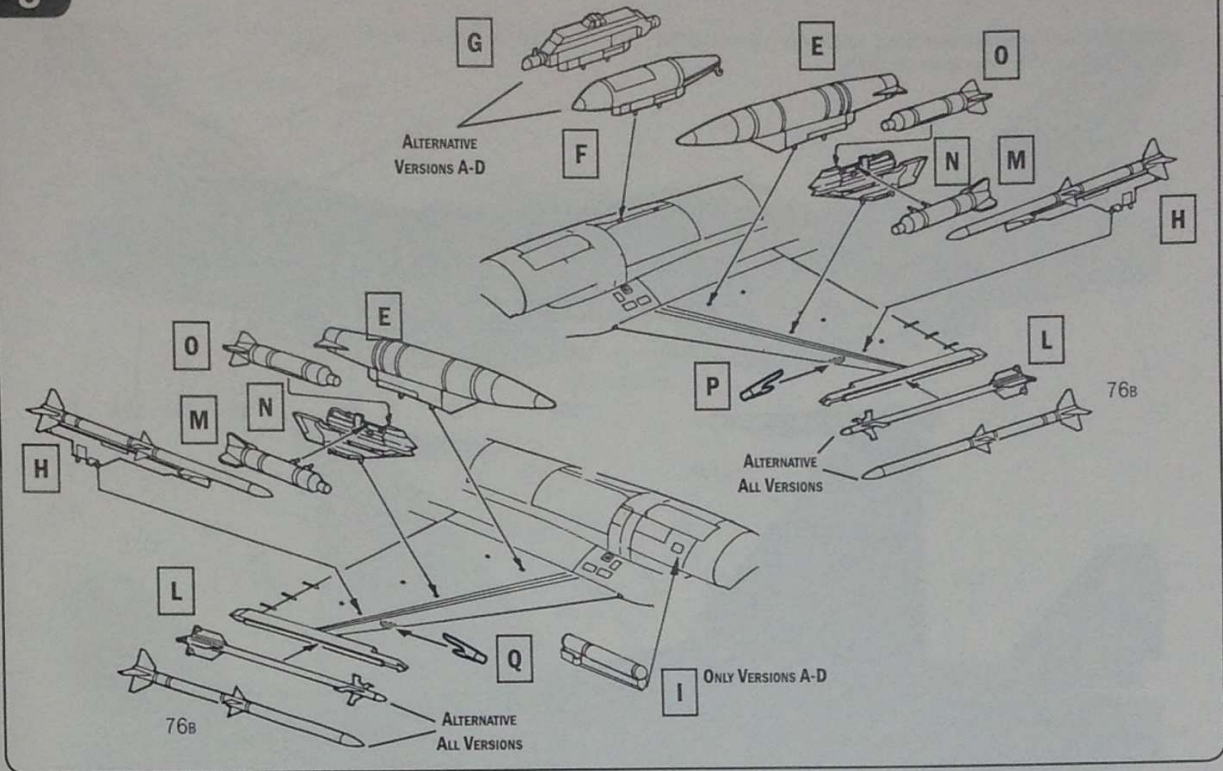


6

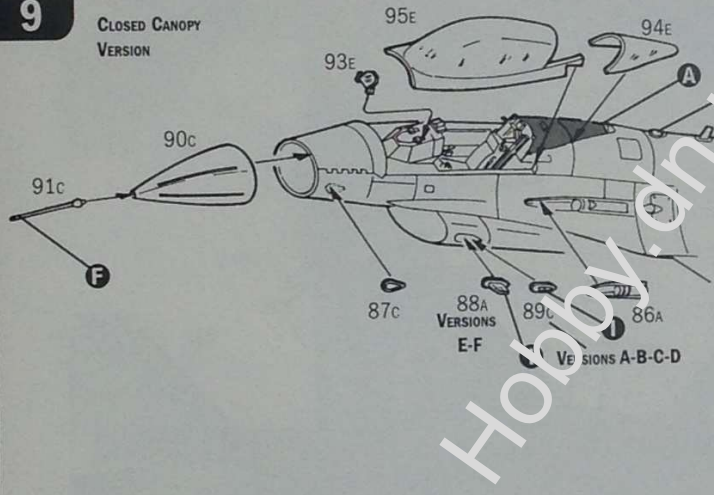


7

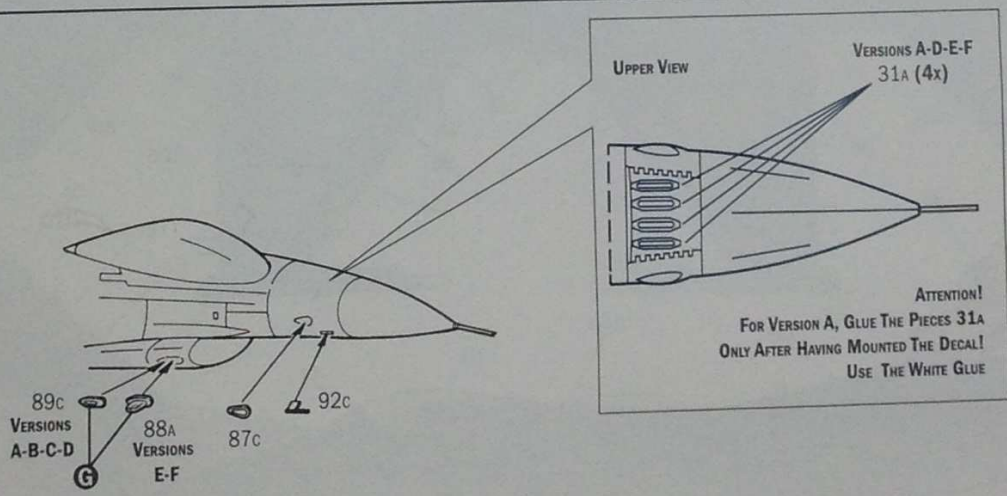
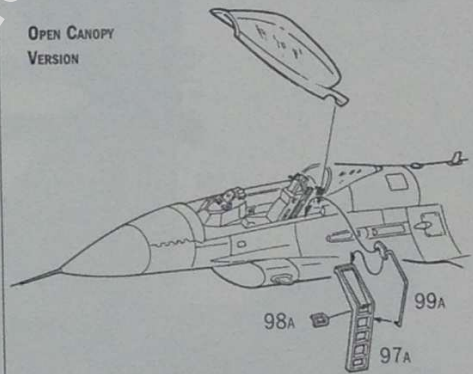




CLOSED CANOPY VERSION



OPEN CANOPY VERSION



Istruzioni per l'applicazione delle decalcomanie. Ritagliare le decalcomanie occorrenti dal foglio, immergerle in un bicchiere di acqua pulita per circa 20", metterle in posizione sul modello e farle scivolare dalla carta: per una migliore aderenza comprimerle con una pezzuola pulita.

Direction for applying the decals: cut the required decals out of the sheet; dip the into a glass of clean water for about 20"; position the decals on the kit, letting them slide from the paper. For a better adesion, press them by means of a clean rag.

Påskärning av decaler: klipp ut den decal som skall användas och doppa den i rent glas vatten under en 20". Sätt decalen på plats på modellen och låt den sakta glida av papper. För att den skall sitta ordentligt, tryck till med en torr duk.



Anweisungen für Abziehbilder-Anbringung: Die benötigten Abziehbilder vom Blatt abschneiden, in ein Glas reines Wasser für etwa 20" eintauchen, auf das Modell legen und dann vom Papierbogen abnehmen. Um eine bessere Haftung zu erzielen, die Abziehbilder mit einem reinen Tuch andrücken.

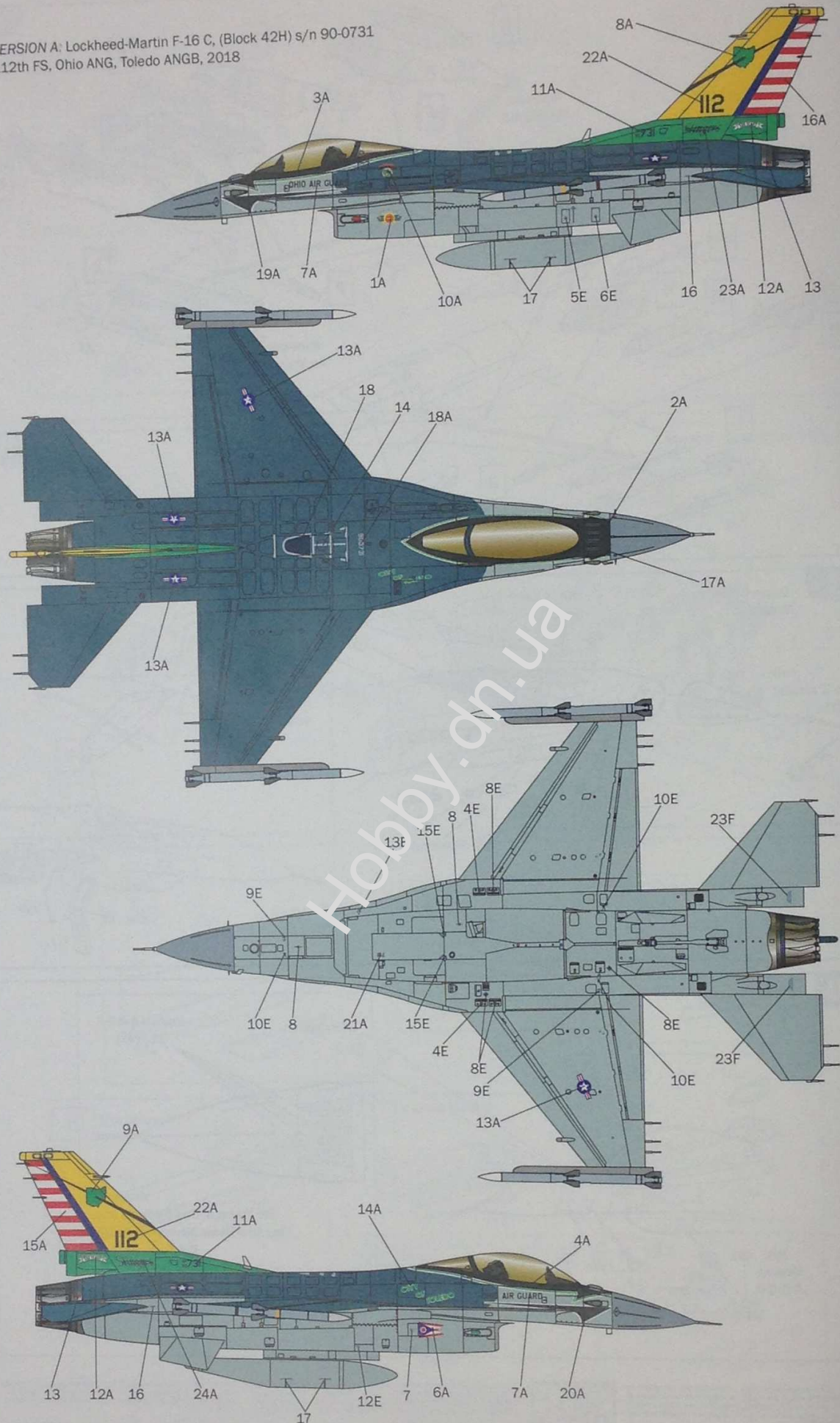
Instruction pour l'application des décalcomanies. Couper les décalcomanies choisies et les plonger environ 20" dans un peu d'eau propre. Les placer sur le modèle et les faire glisser de leur feuille et presser avec un morceau de chiffon pur éliminer les bulles d'air.

Istrucciones Para la aplicación de las decalcomanías: cortar las requeridas, sumergirlas en un recipiente de agua limpia durante 20", colocar las decalcomanías sobre el modelo, haciéndolas deslizar sobre el papel. Para una mejor adherencia, presionarlas con un trapito limpio.

Transfers: knip het benodigde deel uit, dempel et ca. 20" onder water, oet het transfer tegen het model en schuif het vanaf het papier op zijn plaats. Met een schoon doekje aandrukken.

Инструкция по приклеиванию декалей: вырезать необходимые декали из листа, погрузить их на 20" минуты в чистую воду, выложить на модель и аккуратно отделить от бумаги. Для лучшего приклеивания прокатывать декали чистой тряпочкой.

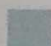





VERSION A: Lockheed-Martin F-16 C, (Block 42H) s/n 90-0731  
 112th FS, Ohio ANG, Toledo ANGB, 2018



Light Compass Gray F.S. 36375	F Gunship Gray 4752AP F.S. 36118	F Medium Gray 4746AP F.S. 36270	MF Gun Metal 4681AP F.S. 37200	Gloss Yellow 4642AP F.S. 13538	Gloss Green 4669AP F.S. 14090
----------------------------------	--	---------------------------------------	--------------------------------------	--------------------------------------	-------------------------------------





VERSION B: Lockheed-Martin F-16 C, (Block 32) s/n 86-0272  
 64th AGRS, Nellis AFB  
 Nevada Red Flag 07-02, 2007



					
F.S. 36375	F.S. 30279	F.S. 30140	F.S. 34092	F.S. 37038	F.S. 37200

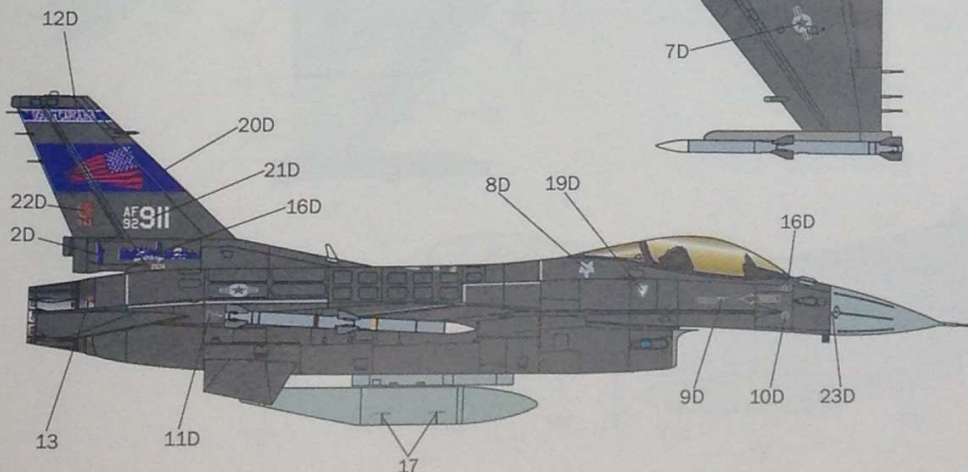
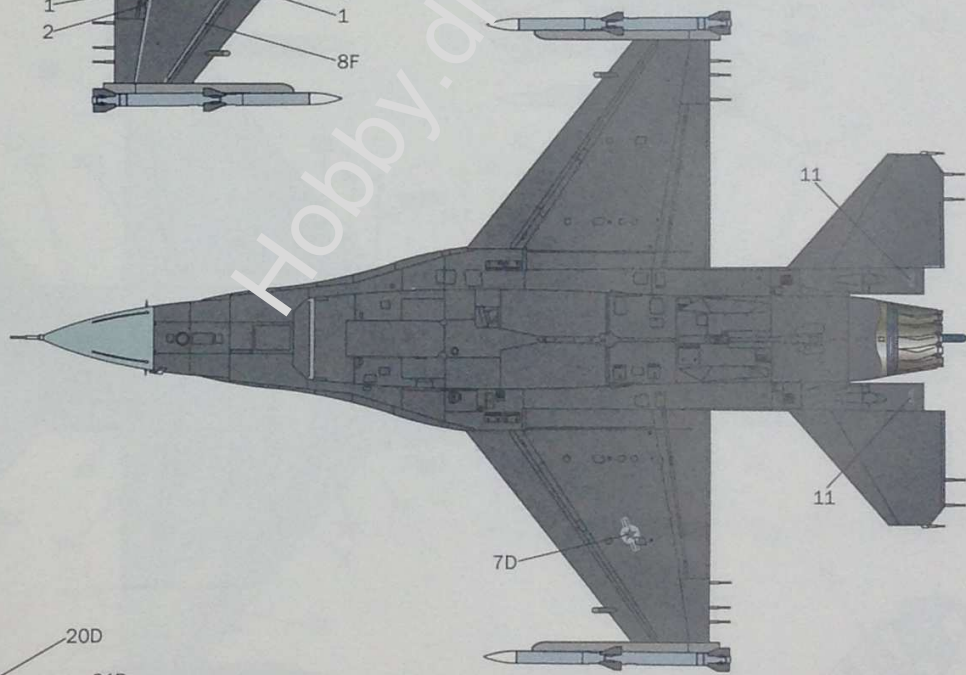
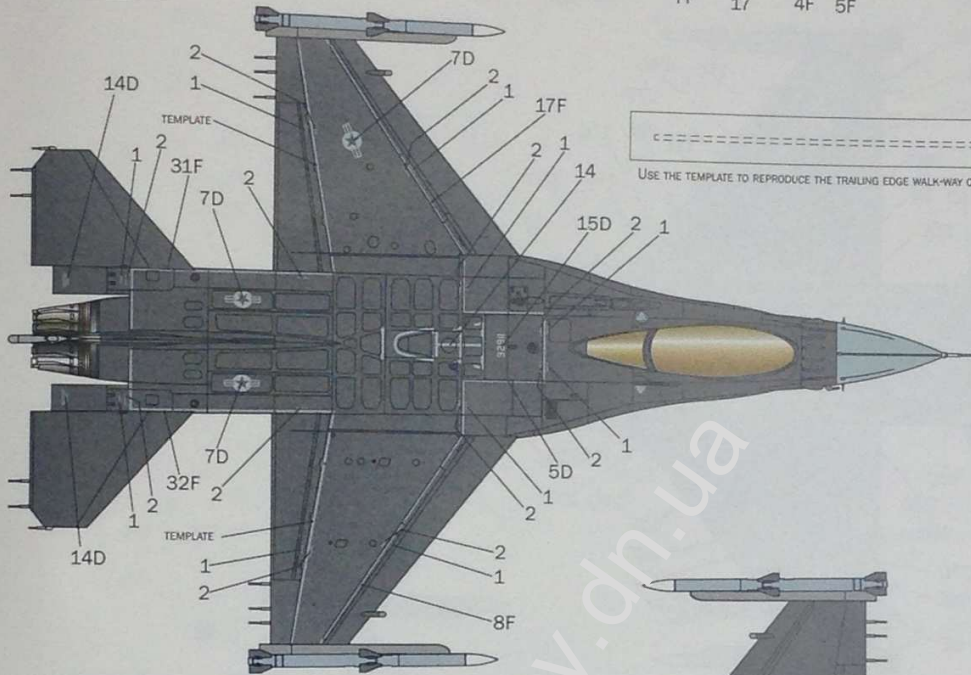
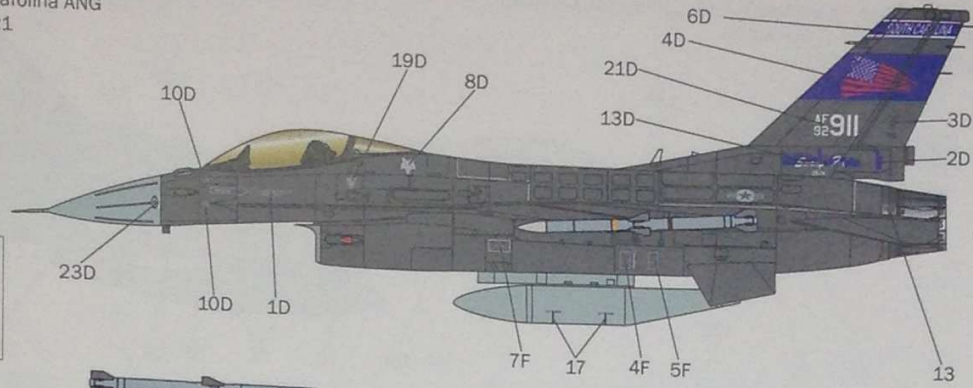
VERSION C: Lockheed-Martin F-16 C, (Block 32) s/n 86-0272  
 64th AGRS, Nellis AFB  
 Nevada 2017



- |   |   |   |   |
|---|---|---|---|
|  |  |  |  |
| F.S. 35450  | F.S. 36118  | F.S. 36375  | F.S. 37200  |

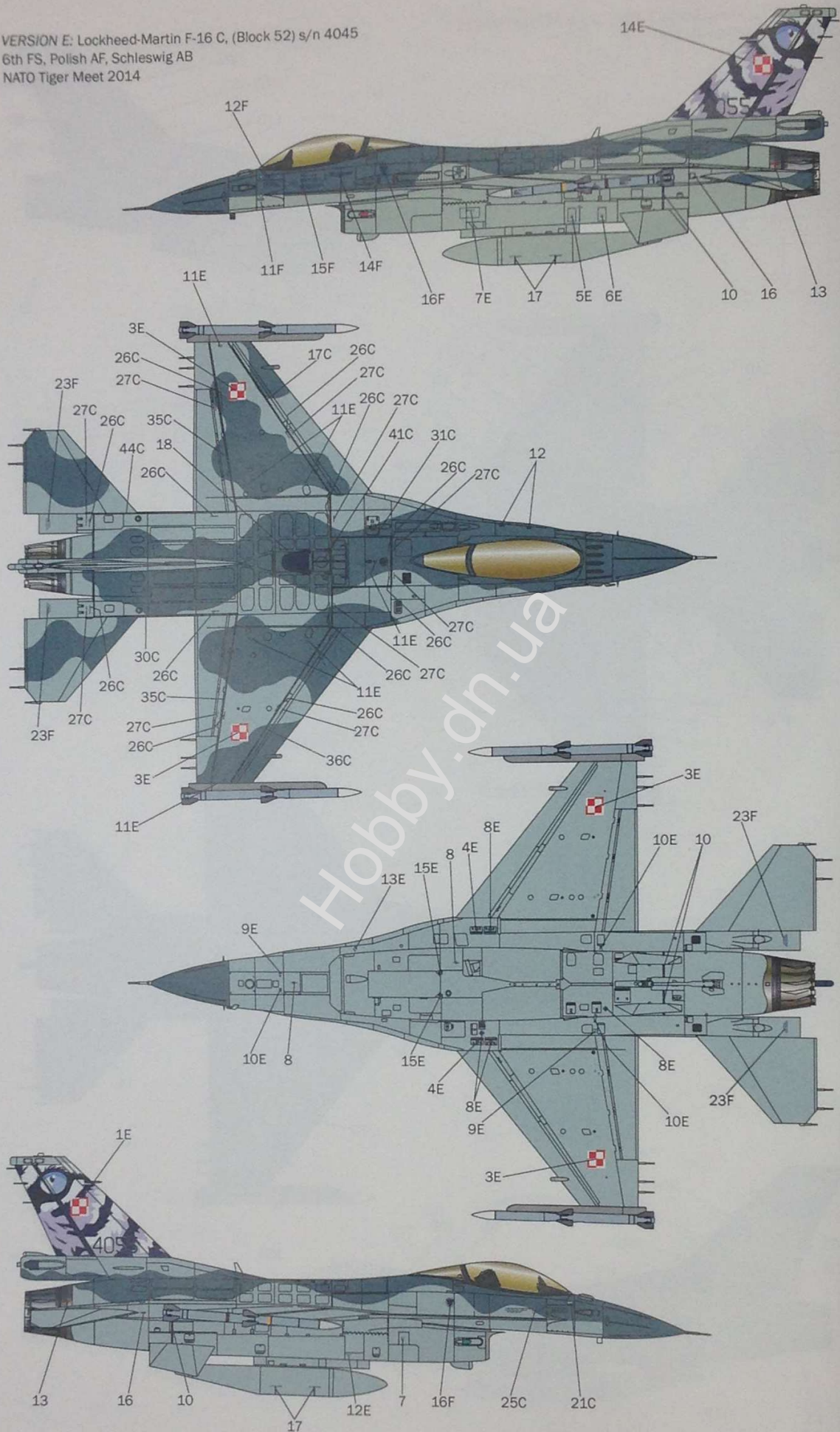


VERSION D: Lockheed-Martin F-16 C, (Block 52P) s/n 92-911  
 157th FS, South Carolina ANG  
 Eastover AFB 2021



- Camouflage Gray
- Light Compass Gray
- MF Gun Metal
- F.S. 36170
- F.S. 36375
- 4681AP
- F.S. 37200

VERSION E: Lockheed-Martin F-16 C, (Block 52) s/n 4045  
 6th FS, Polish AF, Schleswig AB  
 NATO Tiger Meet 2014



- |   |  |  |
|---|--|--|
| <div style="display: inline-block; width: 15px; height: 15px; background-color: #4682B4; border: 1px solid black; margin-bottom: 5px;"></div> F Medium Gray<br>4746AP<br>F.S. 36270 | <div style="display: inline-block; width: 15px; height: 15px; background-color: #A9C9E0; border: 1px solid black; margin-bottom: 5px;"></div> Light Compass Gray<br>F.S. 36375 | <div style="display: inline-block; width: 15px; height: 15px; background-color: #654321; border: 1px solid black; margin-bottom: 5px;"></div> MF Gun Metal<br>4681AP<br>F.S. 37200 |
|---|--|--|

VERSION F: Lockheed-Martin F-16 C, (Block 52) s/n 10904  
 No.5 Squadron "Falcons", Pakistan AF  
 PAF Base, Shahbaz 2017



# 2825 EXTERNAL WEAPONS AND TANKS

### ALQ-131V

(BOTH SIDES)

FLAT BLACK 4768AP  
FLAT OLIVE DRAB 4315AP

### CBU-87 (x4)

FLAT MEDIUM GREEN II 4734AP

### AIM-120C (x2)

FLAT WHITE ITALERI 4769AP  
FLAT LIGHT GRAY ITALERI 4765AP  
MF GUN METAL ITALERI 4681AP

### AIM-9M (x2)

MF GUN METAL ITALERI 4681AP  
FLAT GULL GRAY ITALERI 4763AP  
FLAT BLACK 4768AP

### UNDERWING TANK - LEFT SIDE

### UNDERWING AND BELLY TANKS

### UNDERWING TANK - TOP VIEW

FLAT LIGHT GRAY ITALERI 4765AP

### UNDERWING TANK - RIGHT SIDE

### BELLY TANK - TOP VIEW

#### TEMPLATE FOR FUSelage STIFFENERS

MAKE FROM 0,25 MM PLASTICARD