

Instruction

拼装說明書



KITTY
HAWK

1:32 scale

F-86K "セイバードッグ"

F-86K

"SABRE DOG"



Please visit our web site at
www.kittyhawkmodel.com



F-86K "佩刀狗" 全天候戰鬥機

KH32008

1:32 F-86K "SABRE DOG"

Painting & marking Guide

塗裝與水貼

C128 RLM83 DARK GREEN
RLM83深綠色

A.F-86K, JD-352, 3. JG74. Neuburg der Donau
July 1964.



C83 FLAT BLACK
消光黑

C137 TIRE BLACK
輪胎黑

C128 RLM83 DARK GREEN
RLM83深綠色

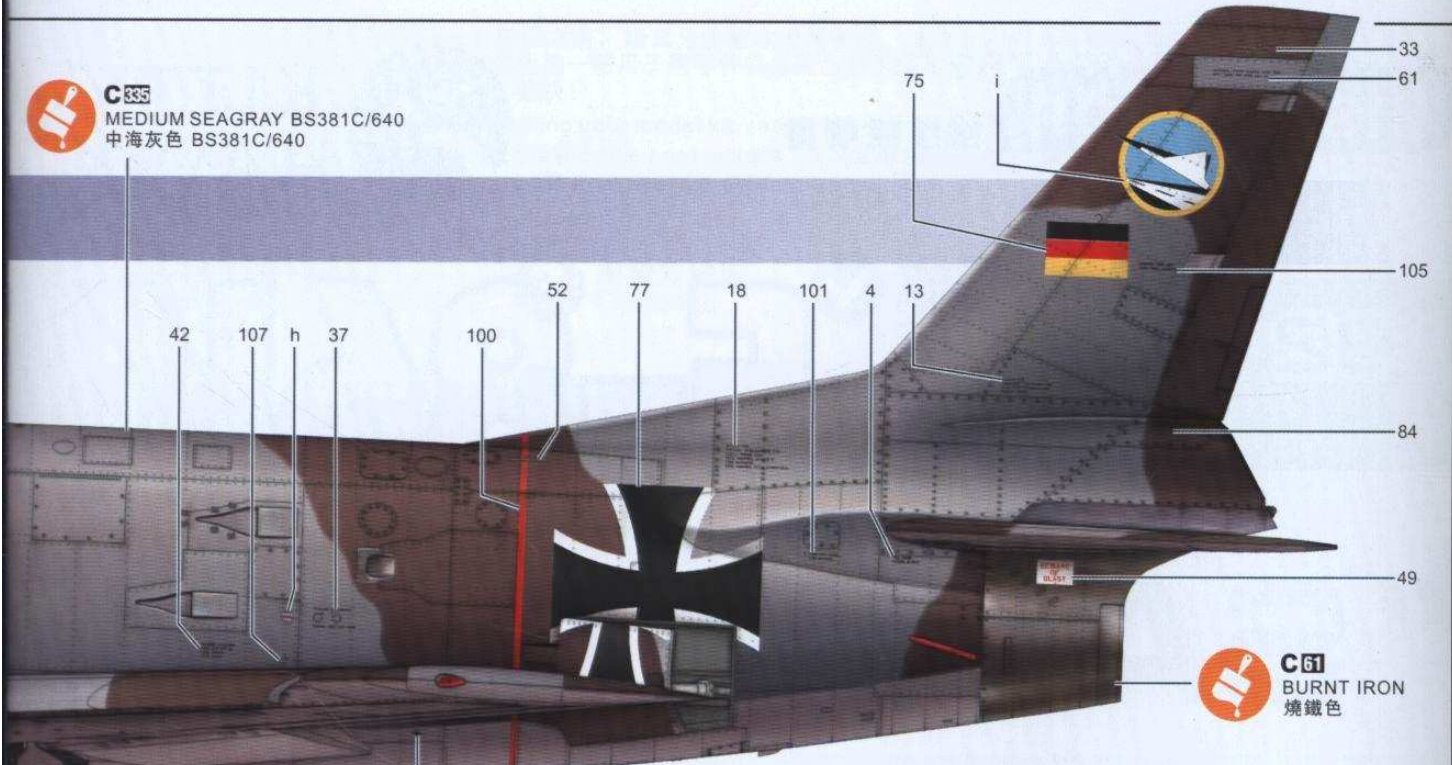
C338 LIGHT GRAY FS36495
FS36495 淺灰色

C335 MEDIUM SEAGRAY BS381C
中海灰色 BS381C/640



C335

MEDIUM SEAGRAY BS381C/640
中海灰色 BS381C/640



C61

BURNT IRON
燒鐵色



C11

WHITE
白色



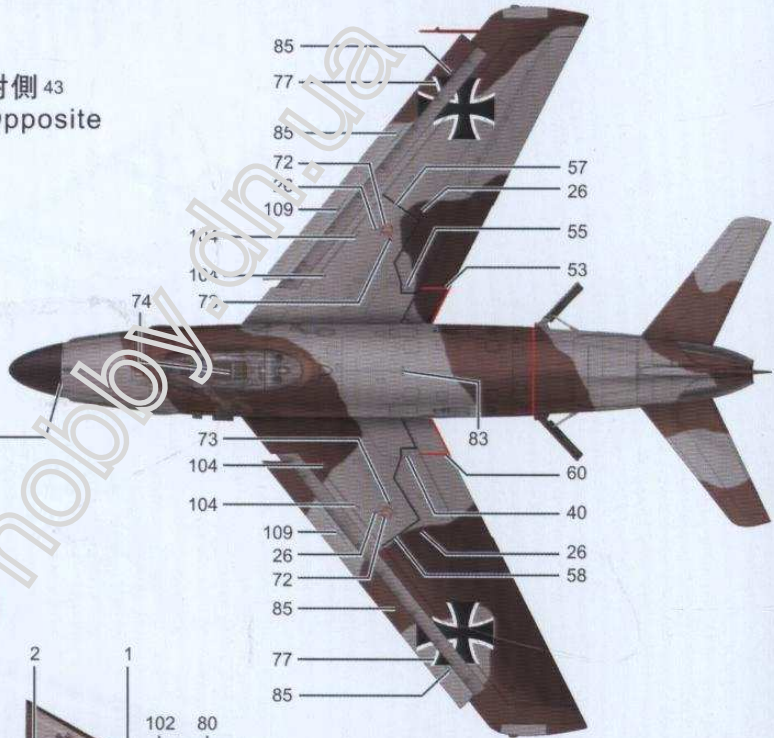
對側 43
Opposite



《AIM-9B》



對側 46
Opposite



C334

BARLEY GRAY BS4800/18B21
大麥灰色

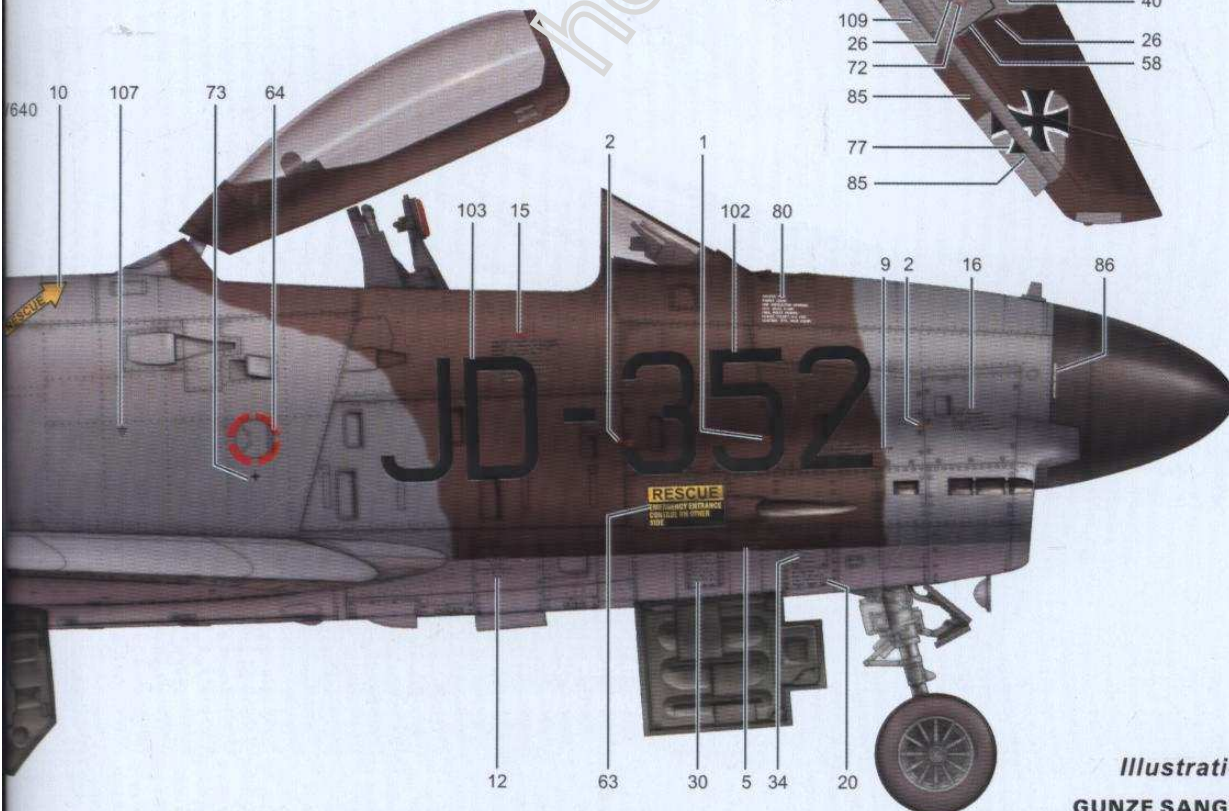
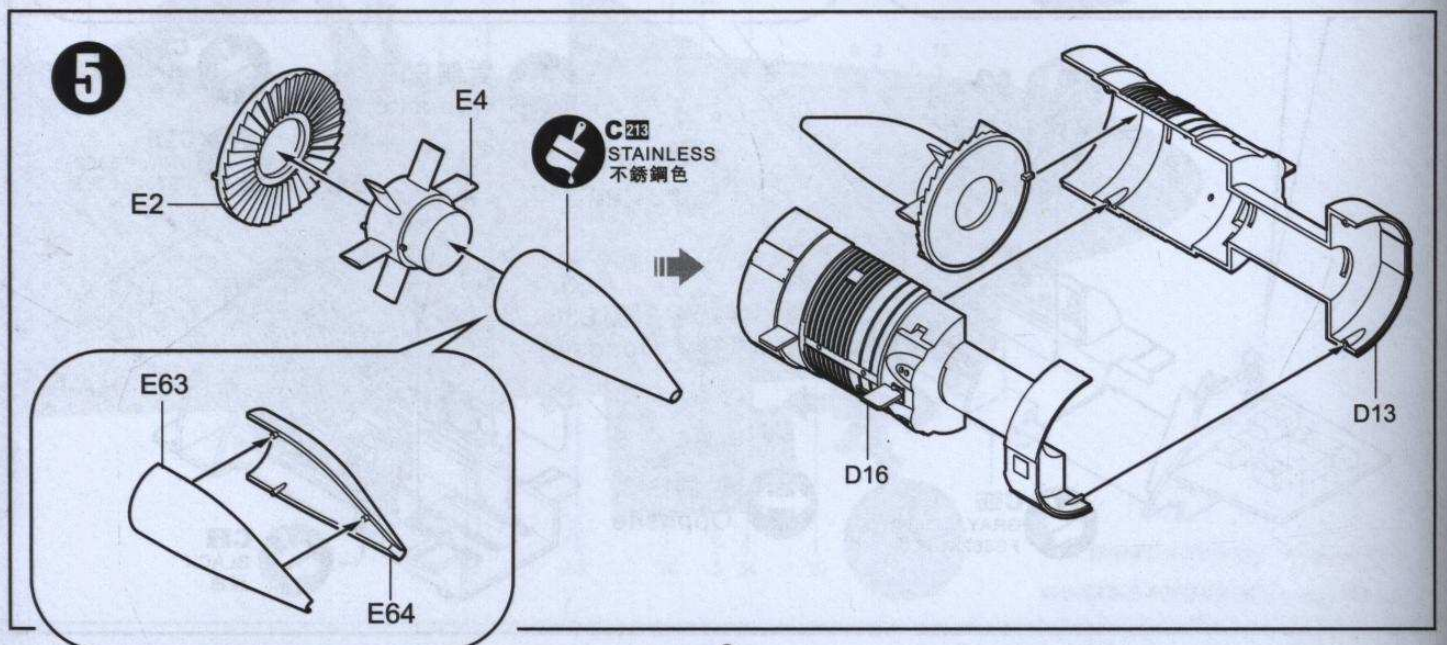
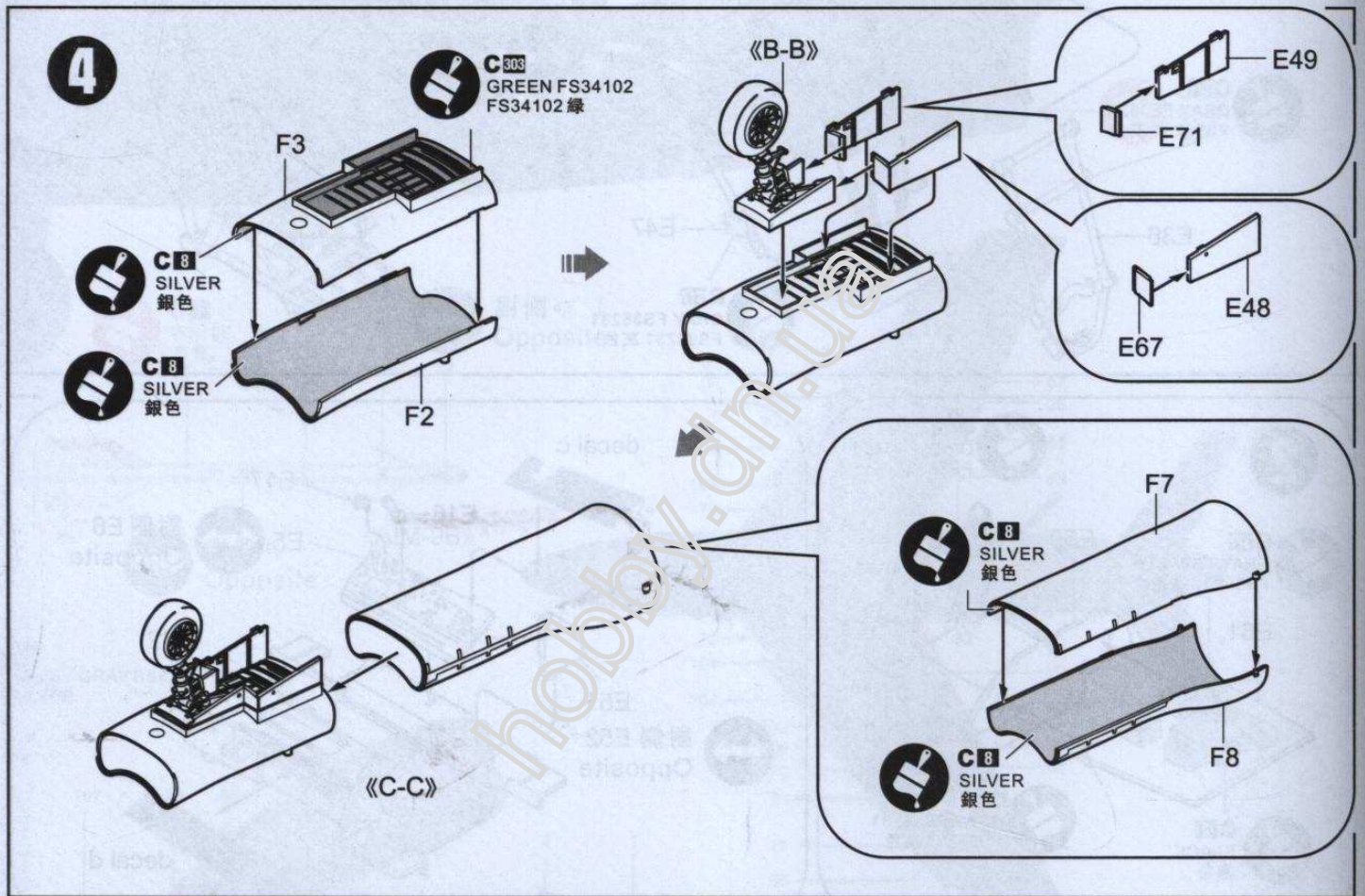
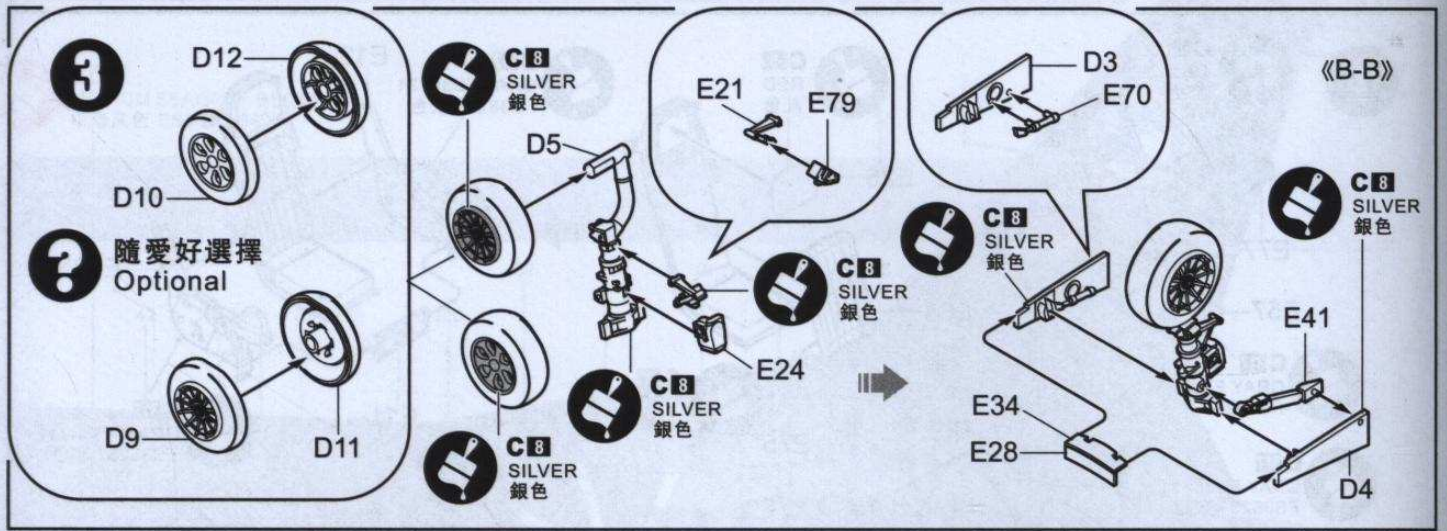


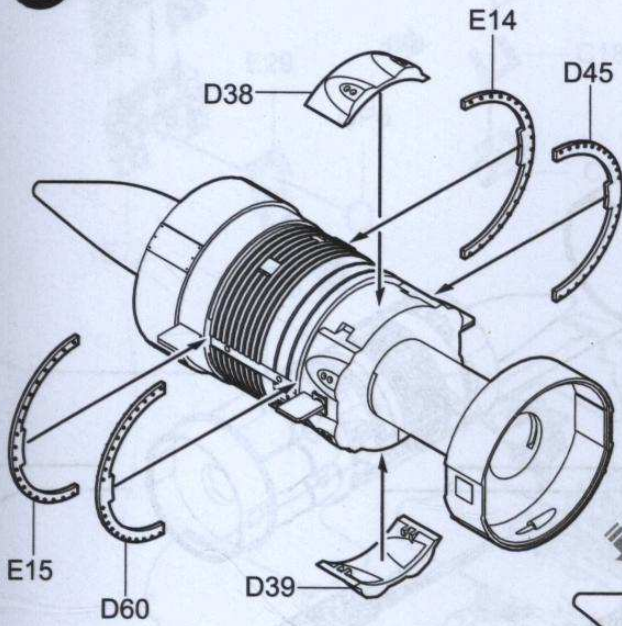
Illustration by Chen Jiali

GUNZE SANGYO Mr. color used

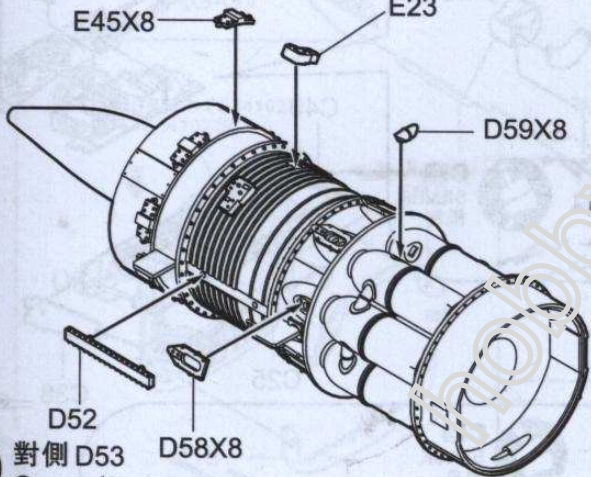


6

《D-D》



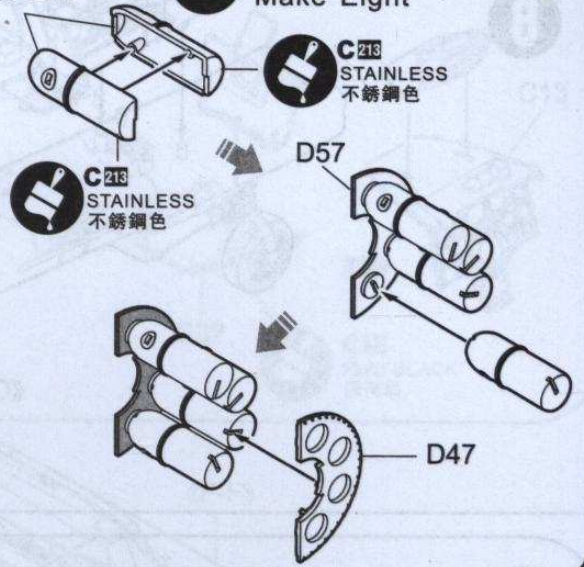
↔ 對側 E22
Opposite
E23



↔ 對側 D53
Opposite

D20-D35

×8 制作八組
Make Eight



C213
STAINLESS
不銹鋼色

C213
STAINLESS
不銹鋼色

D57

D47

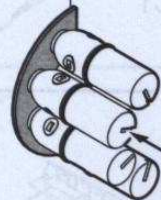
C214
DARK IRON
暗鐵色



C61
BURNT IRON
燒鐵色

C61
BURNT IRON
燒鐵色

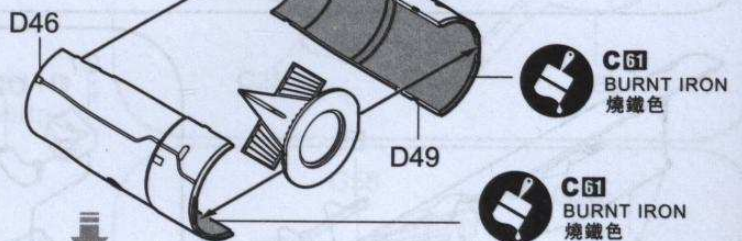
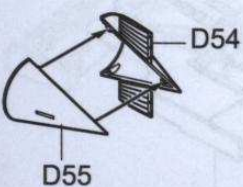
D63



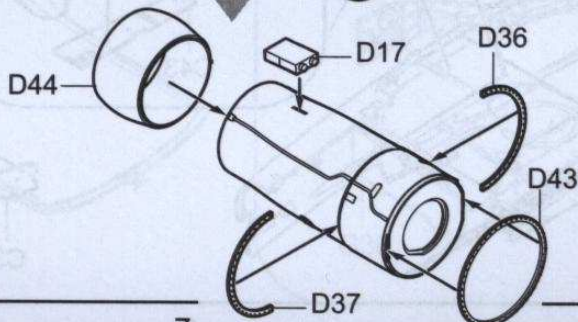
C61
BURNT IRON
燒鐵色

D62

7

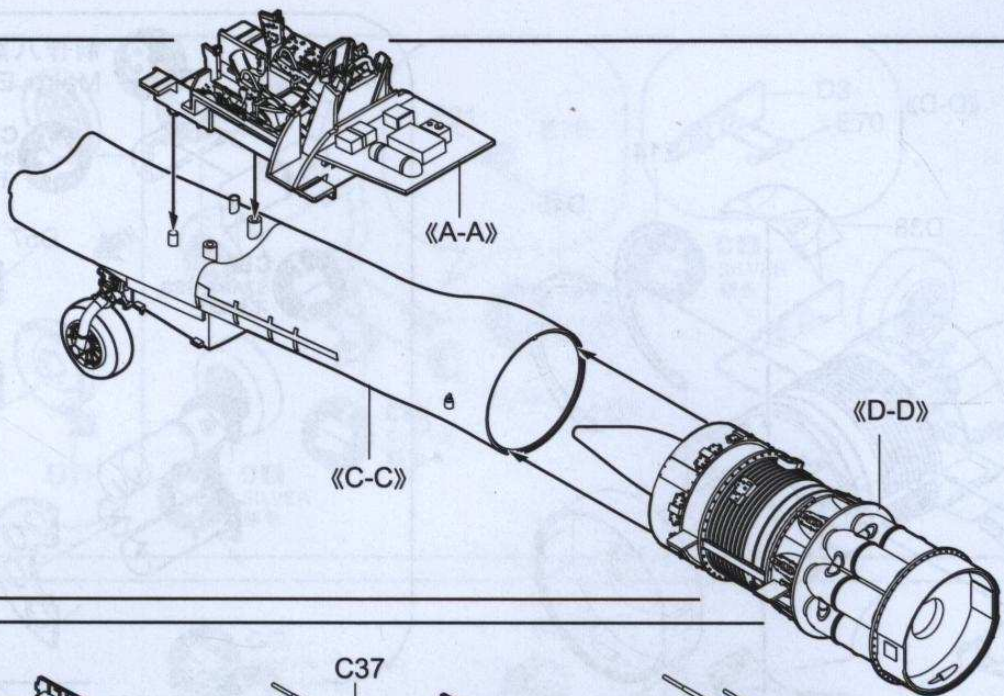


C61
BURNT IRON
燒鐵色

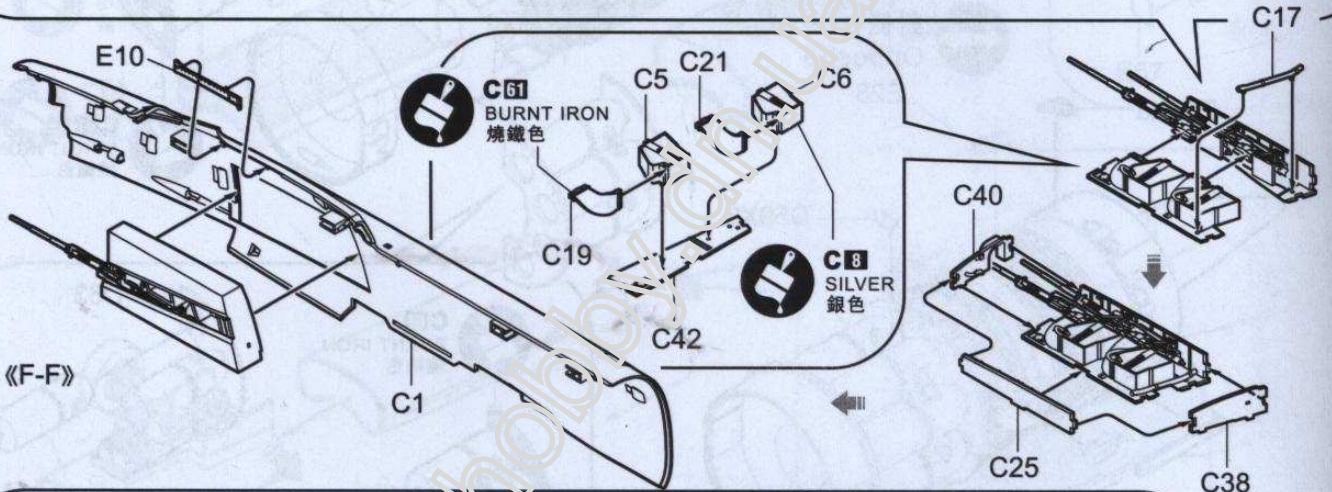
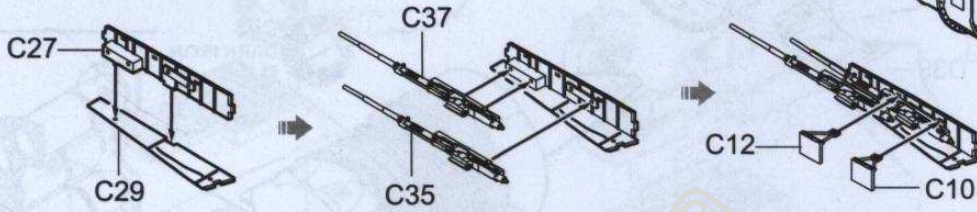


《E-E》

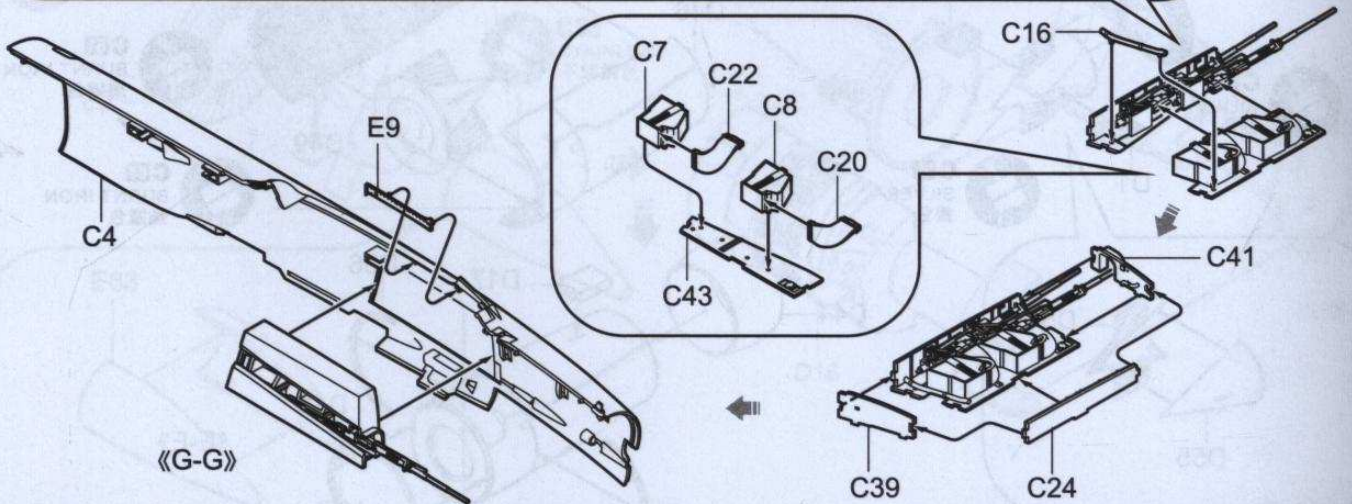
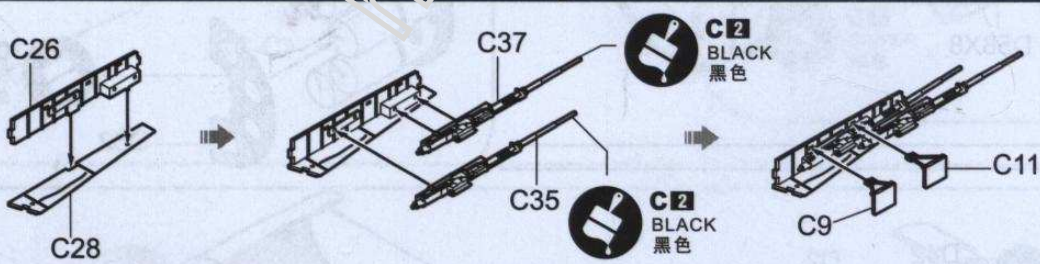
8



9

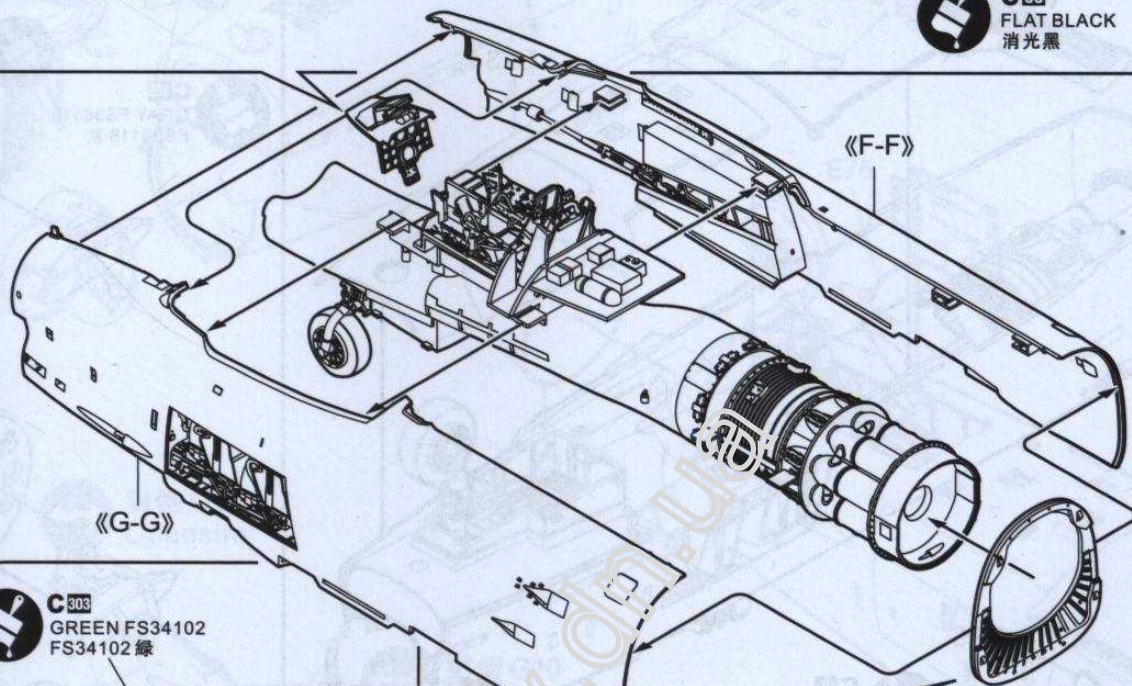
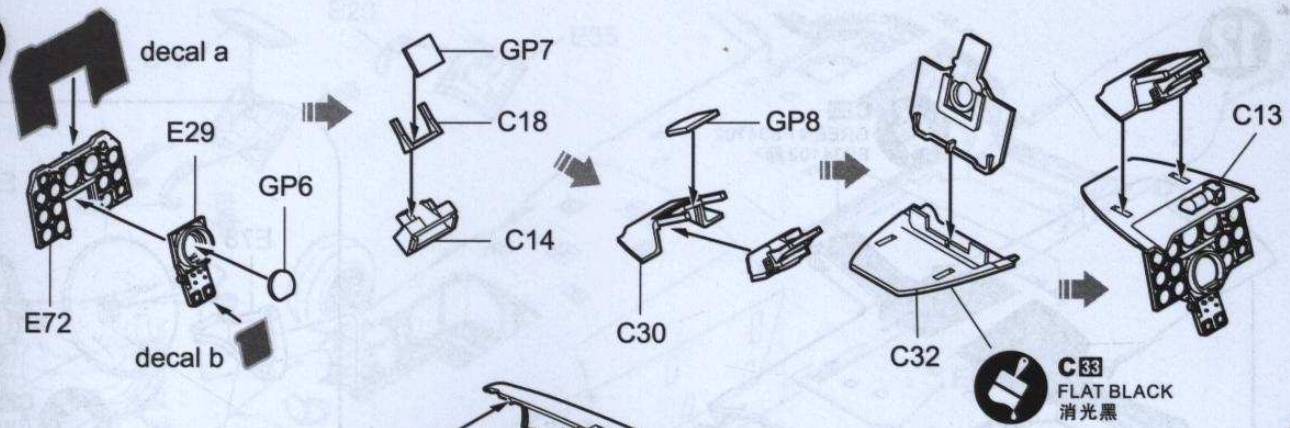


«F-F»

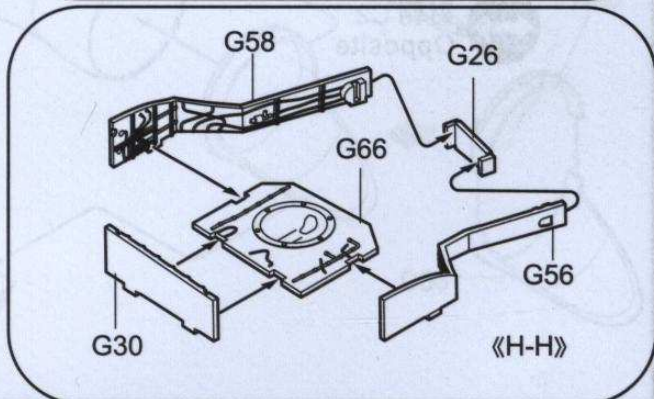
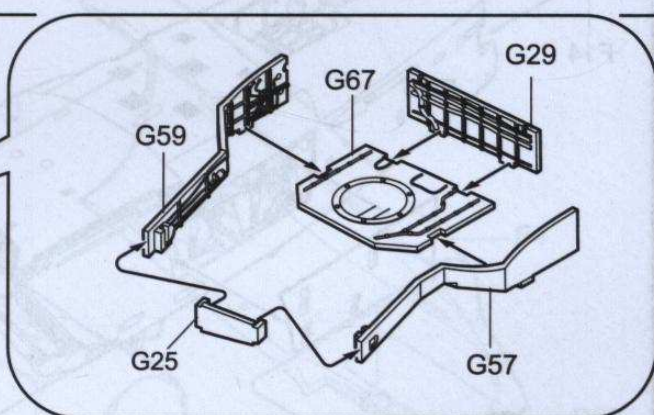
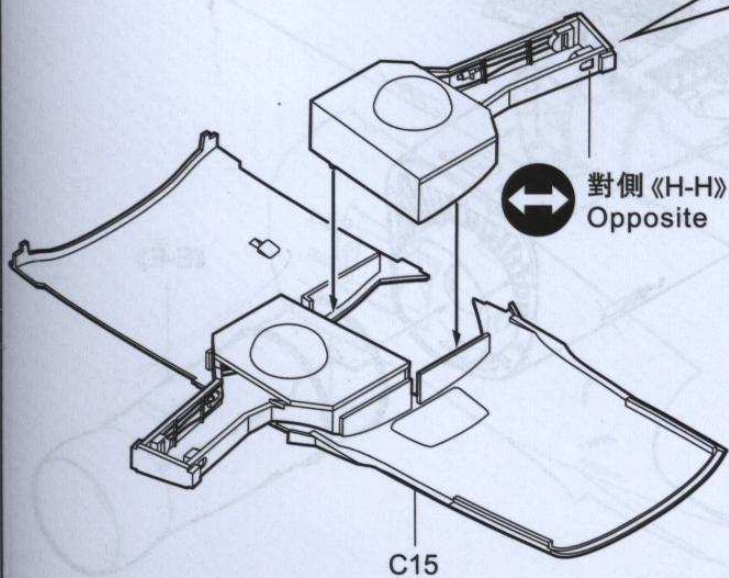


«G-G»

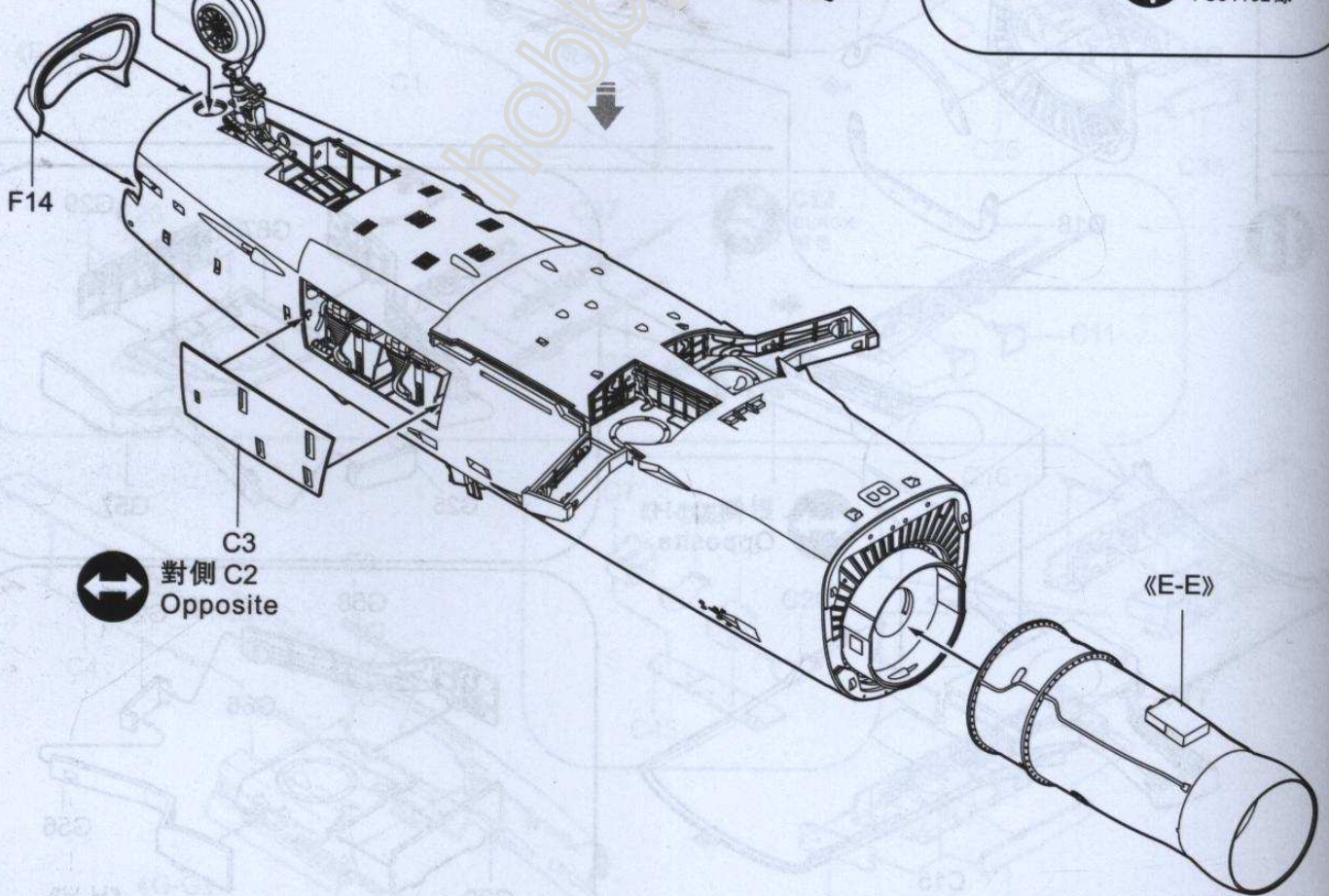
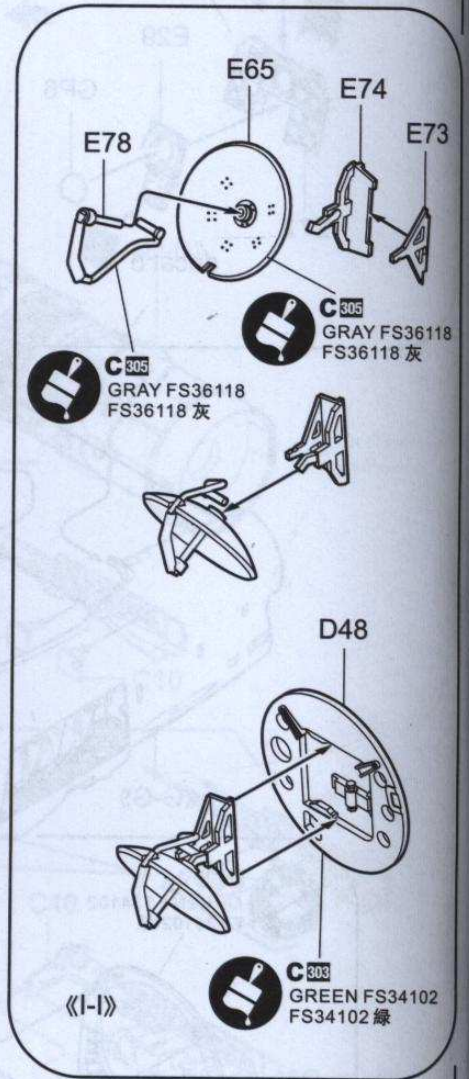
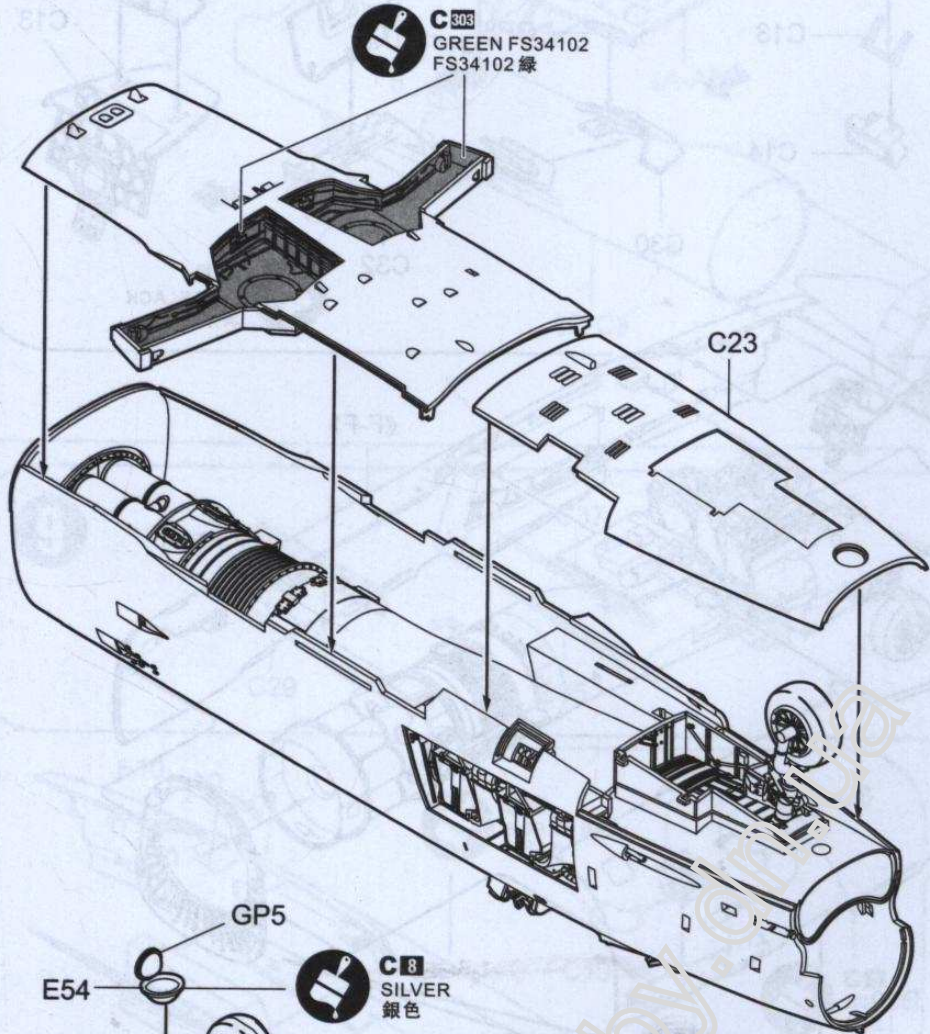
10



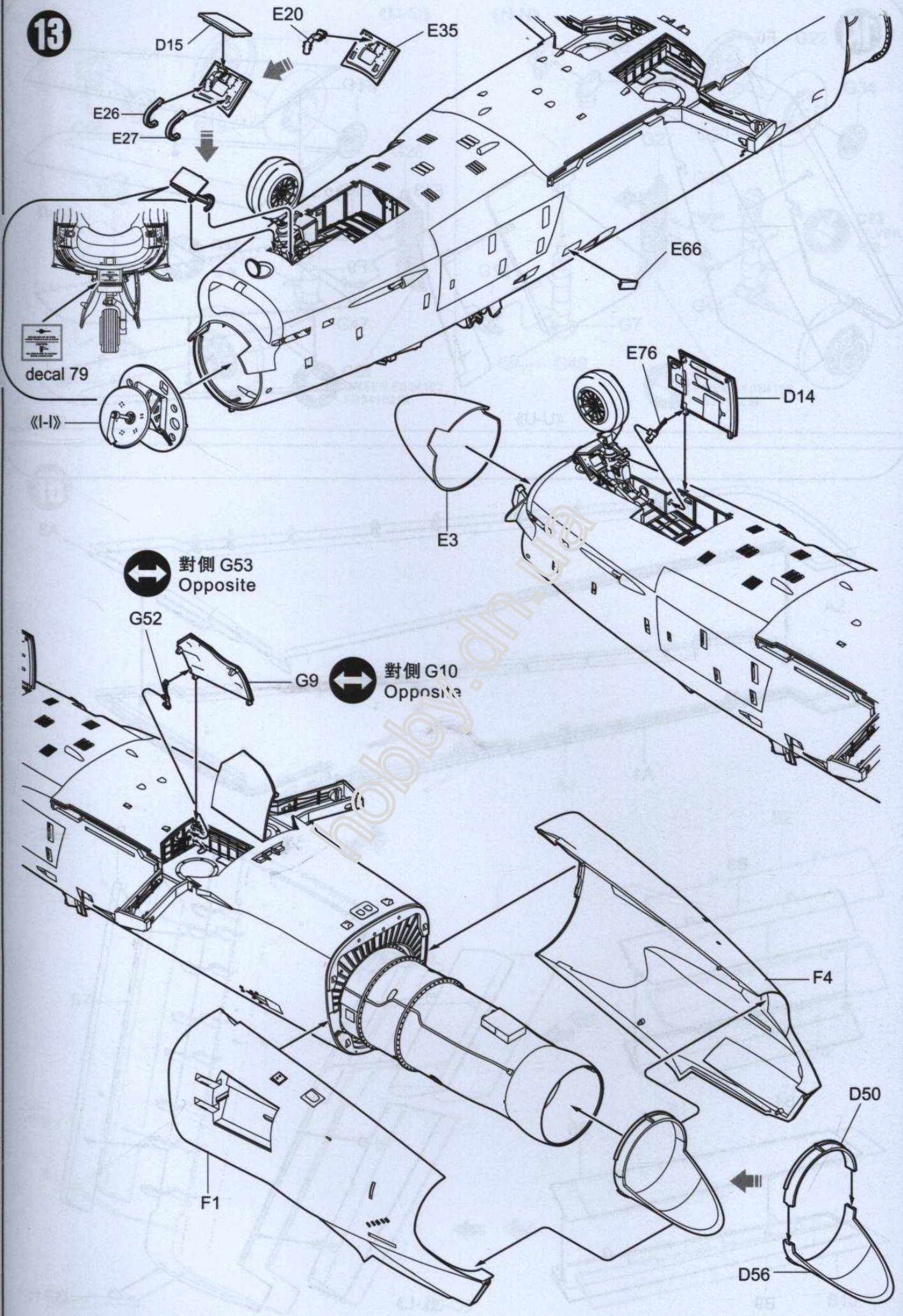
11



12



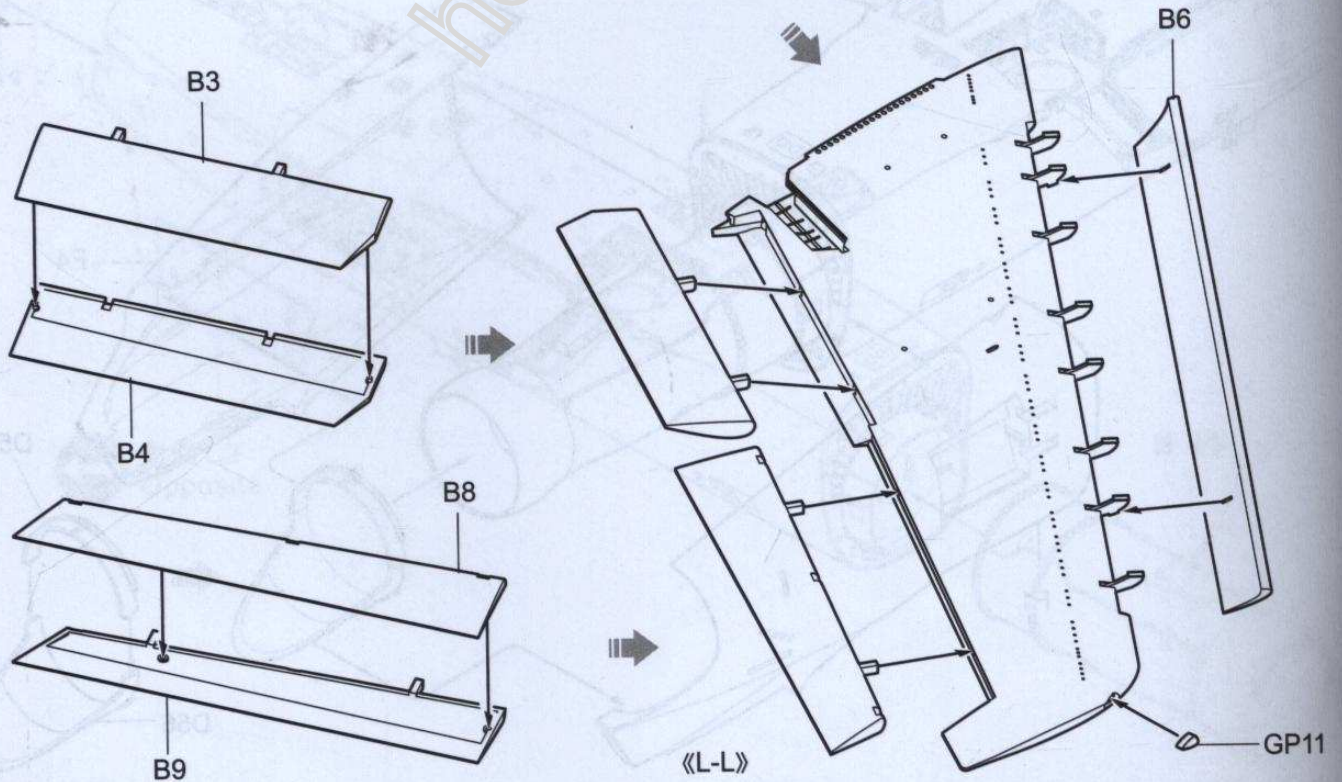
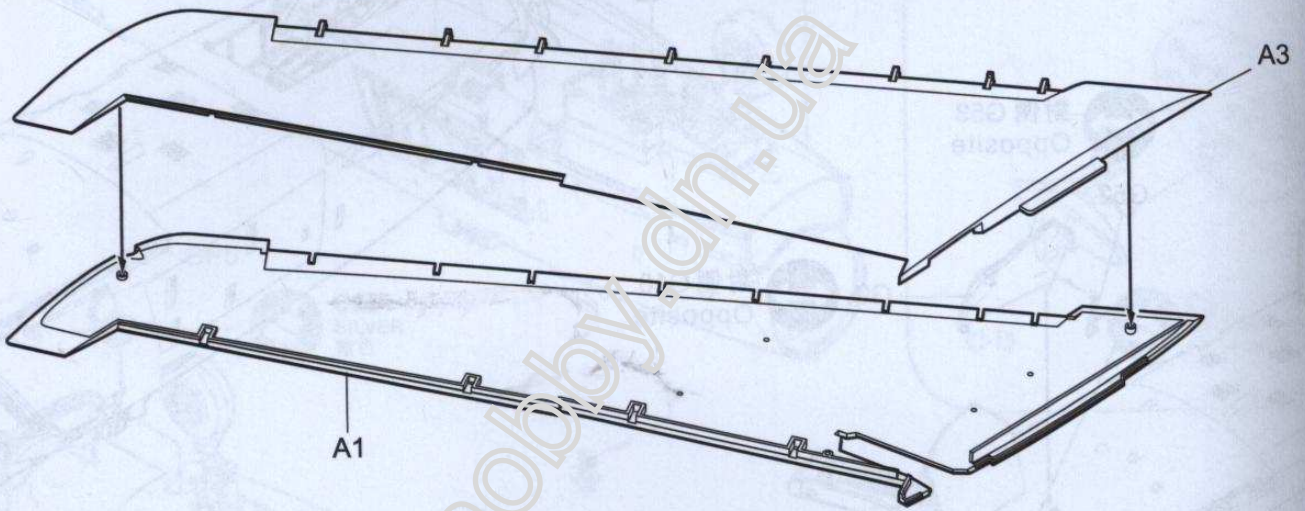
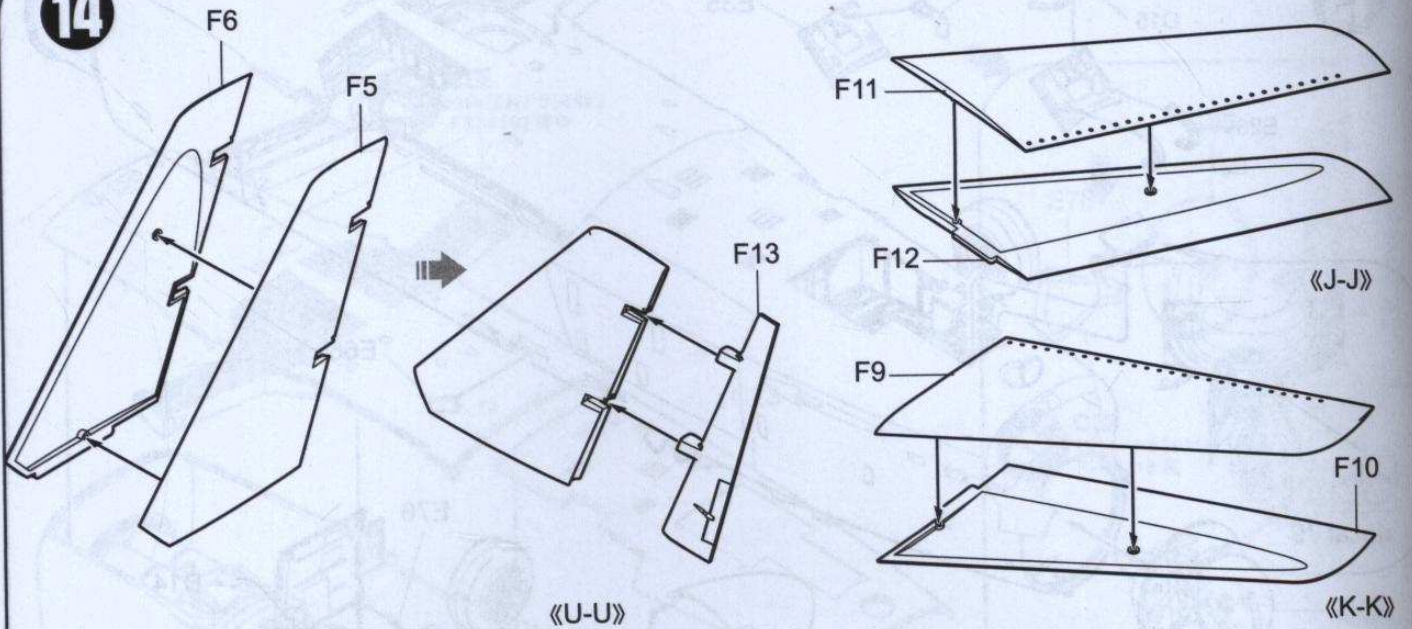
13



↻ 對側 G53 Opposite

↻ 對側 G10 Opposite

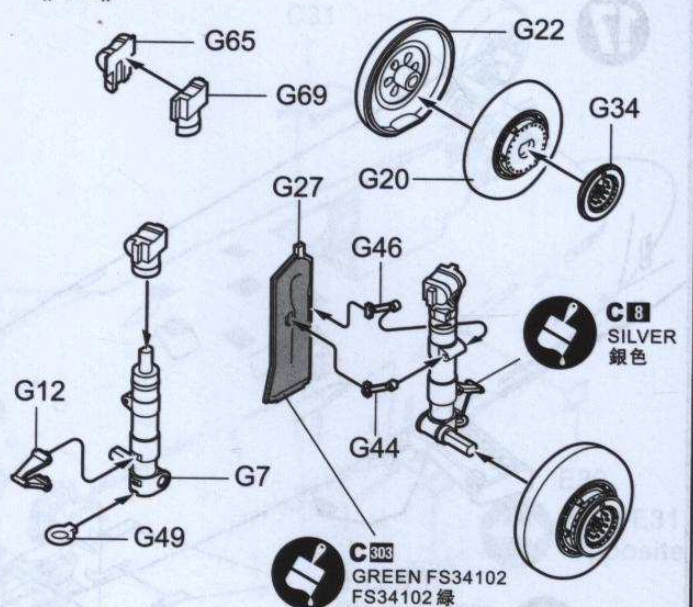
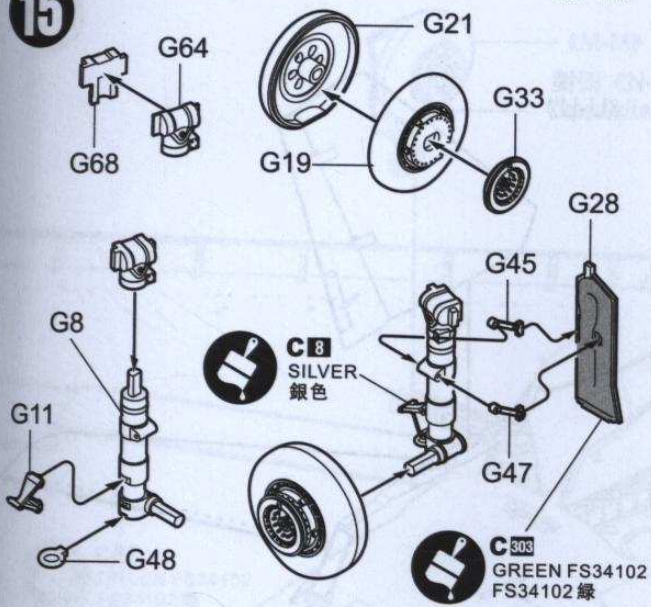
14



15

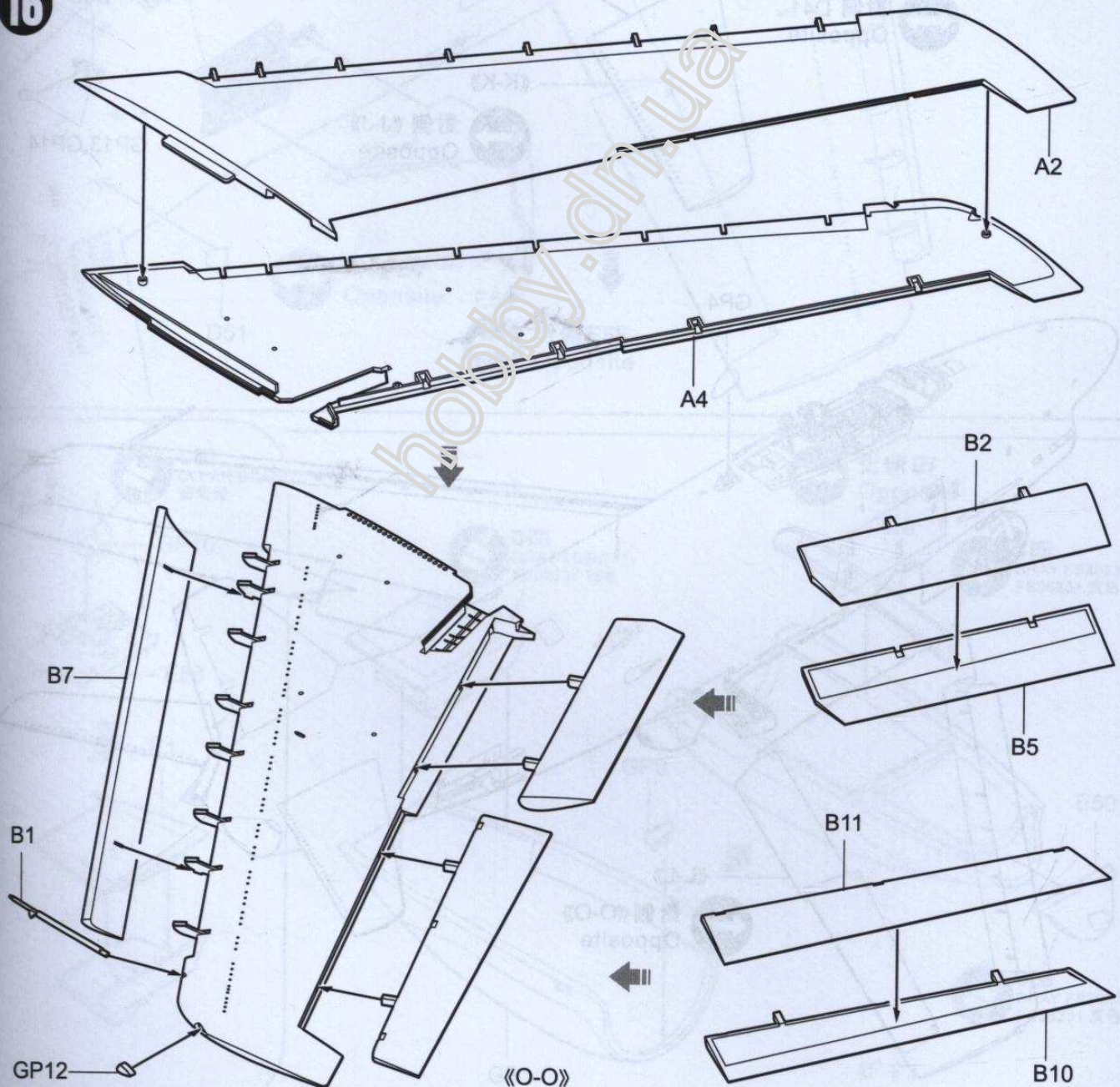
《M-M》

《N-N》

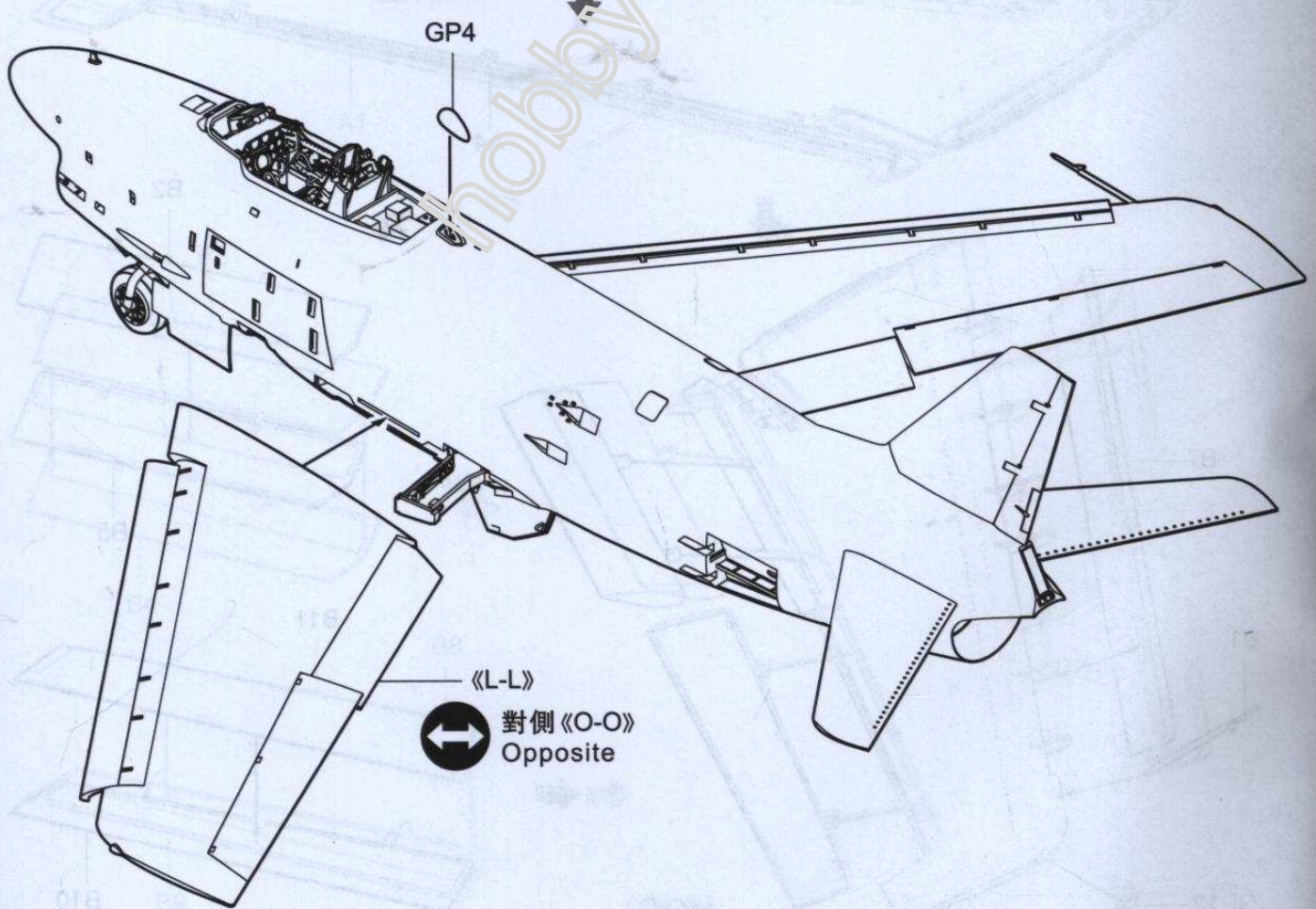
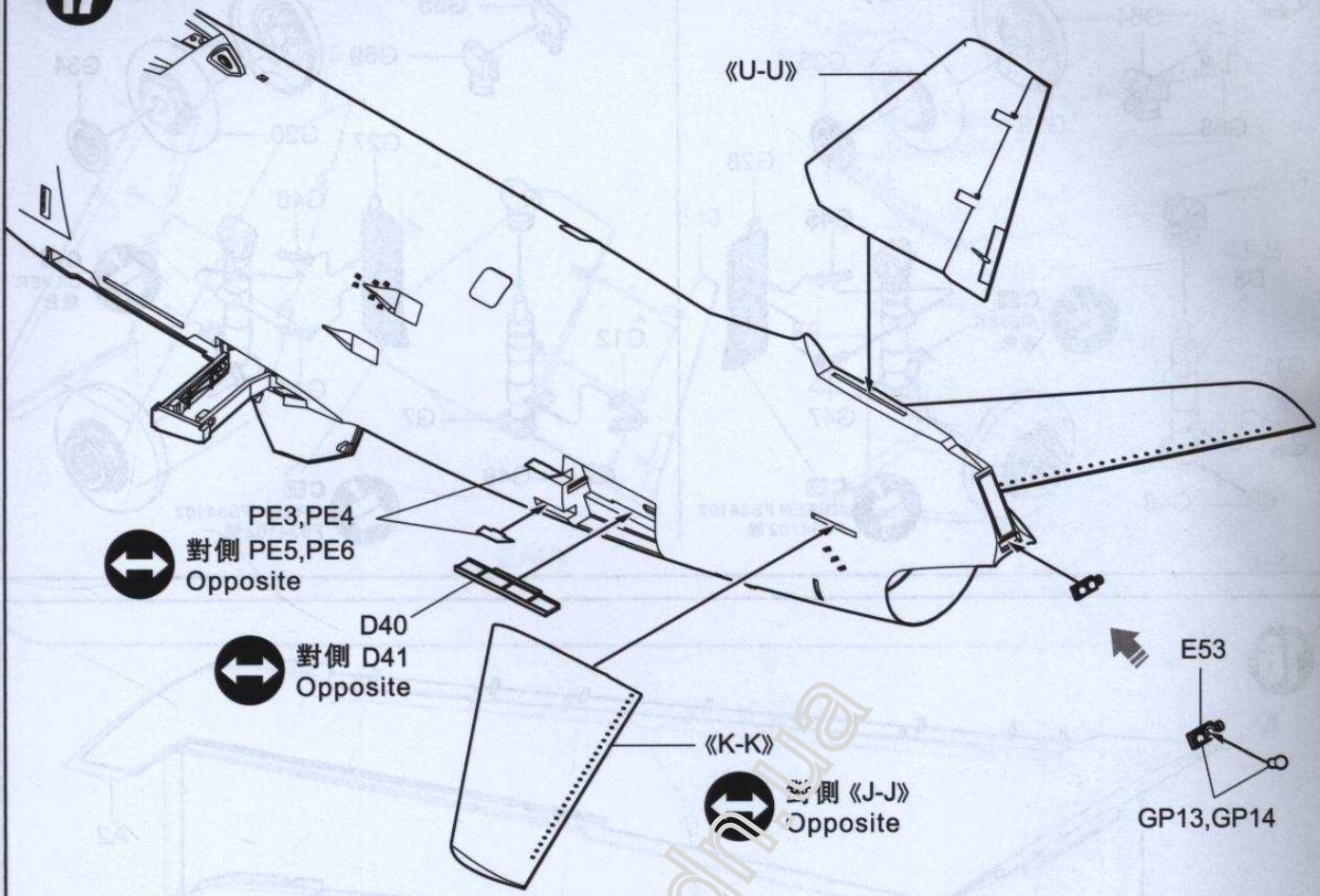


16

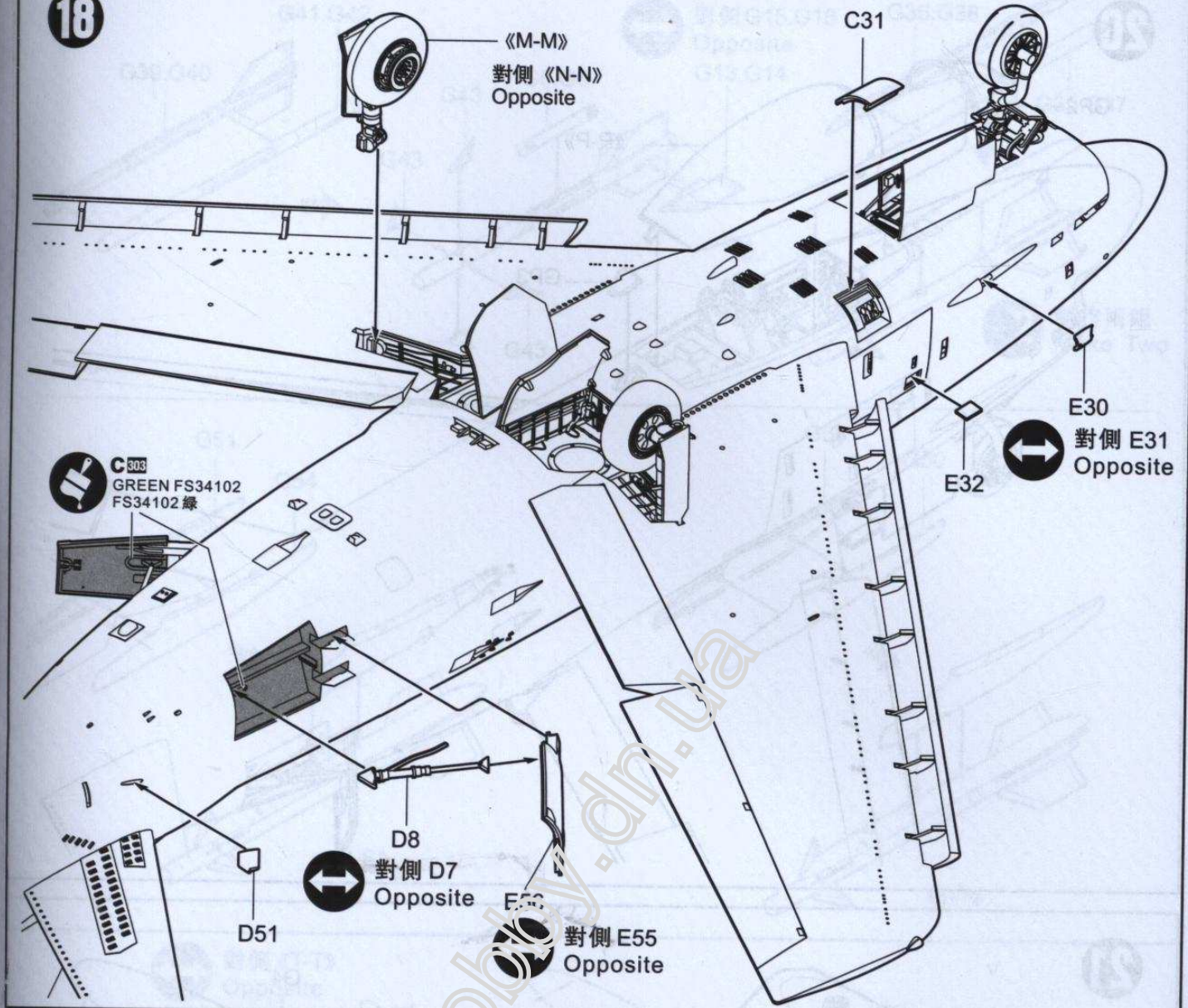
《O-O》



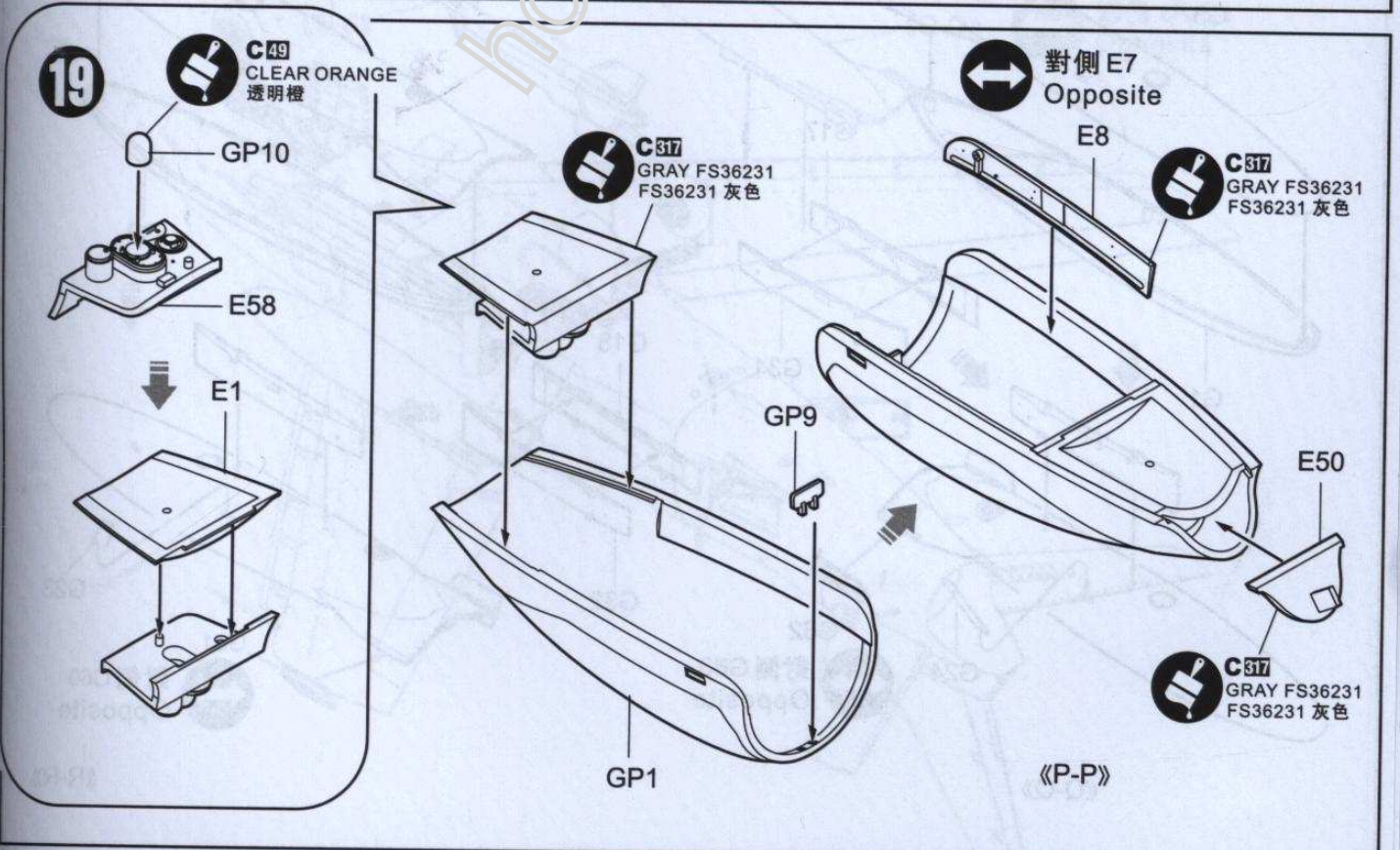
17



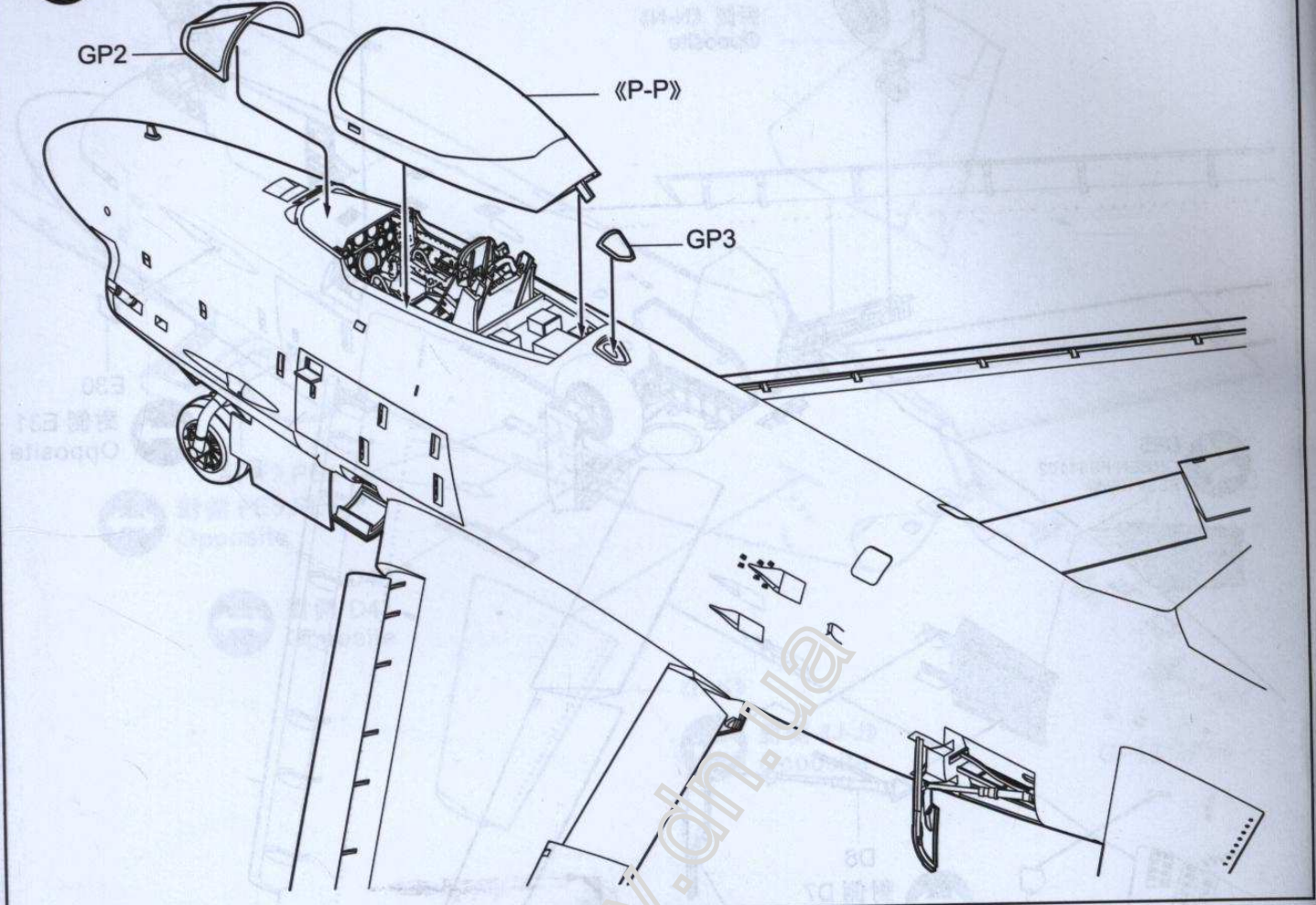
18



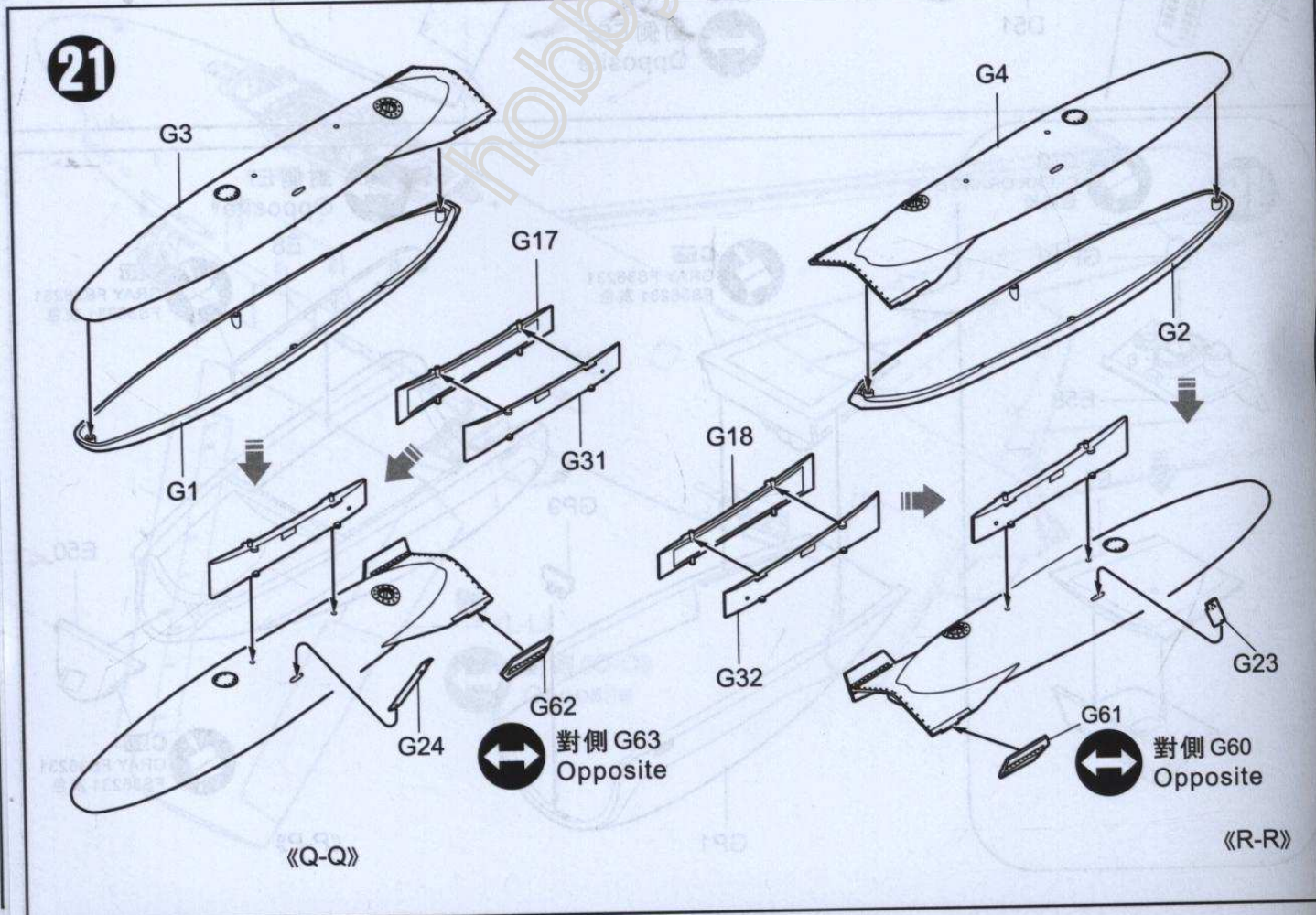
19



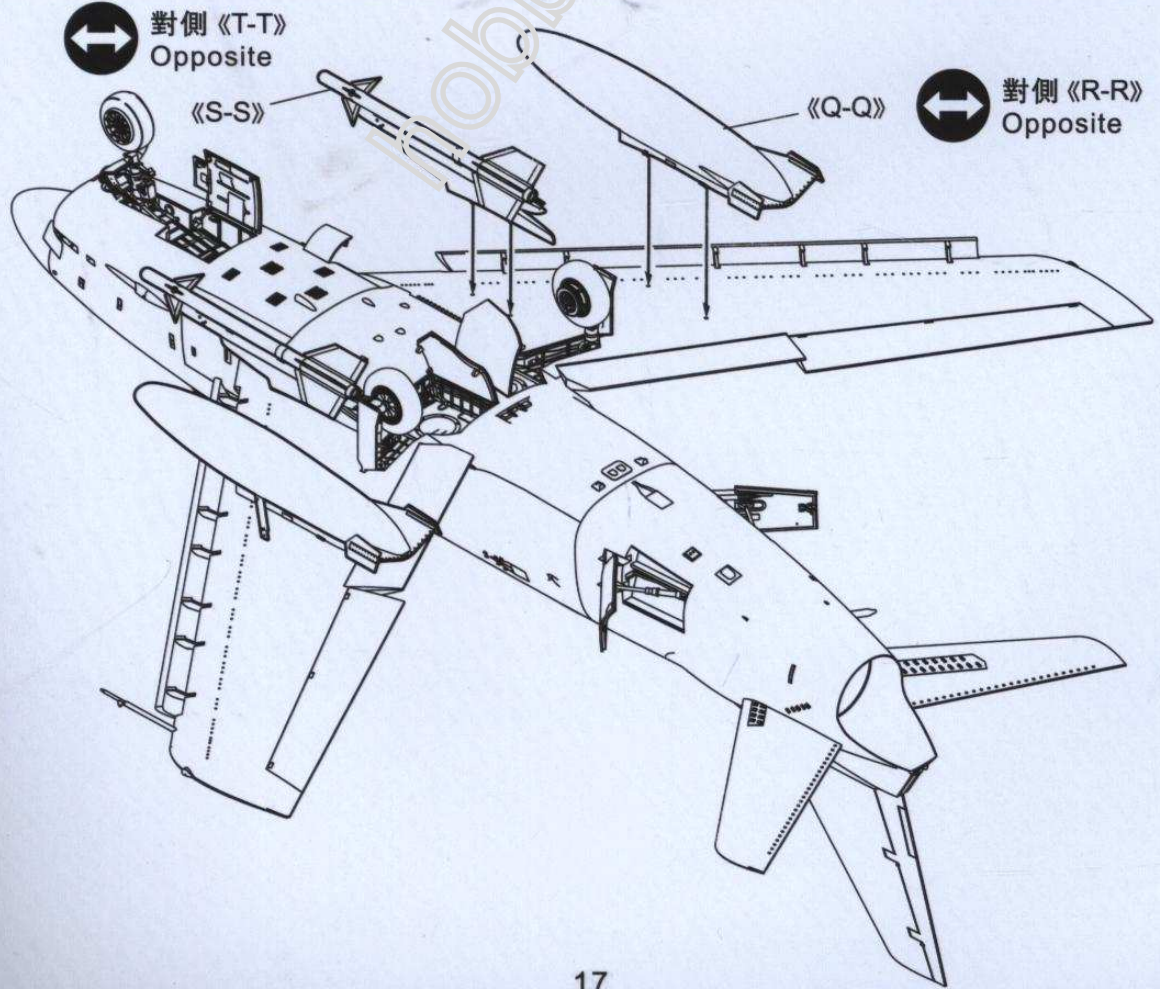
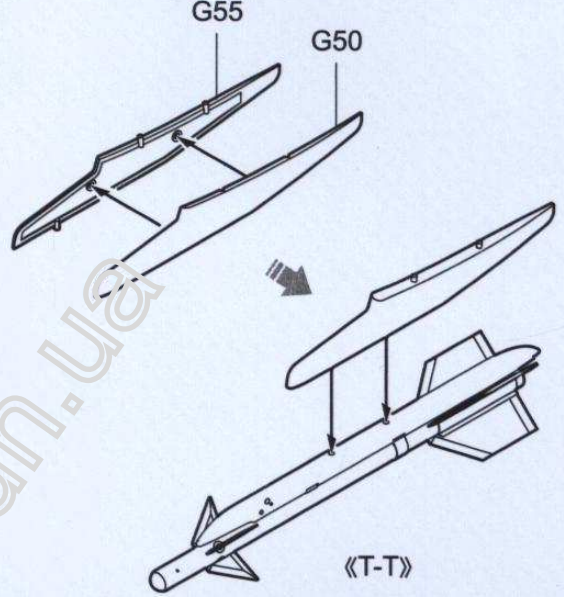
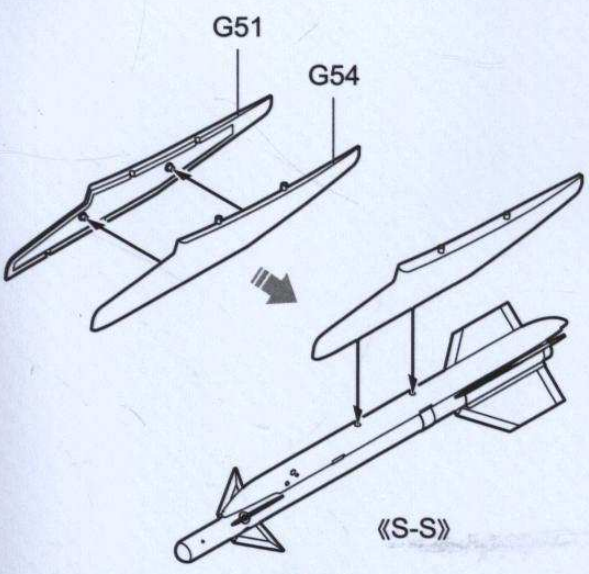
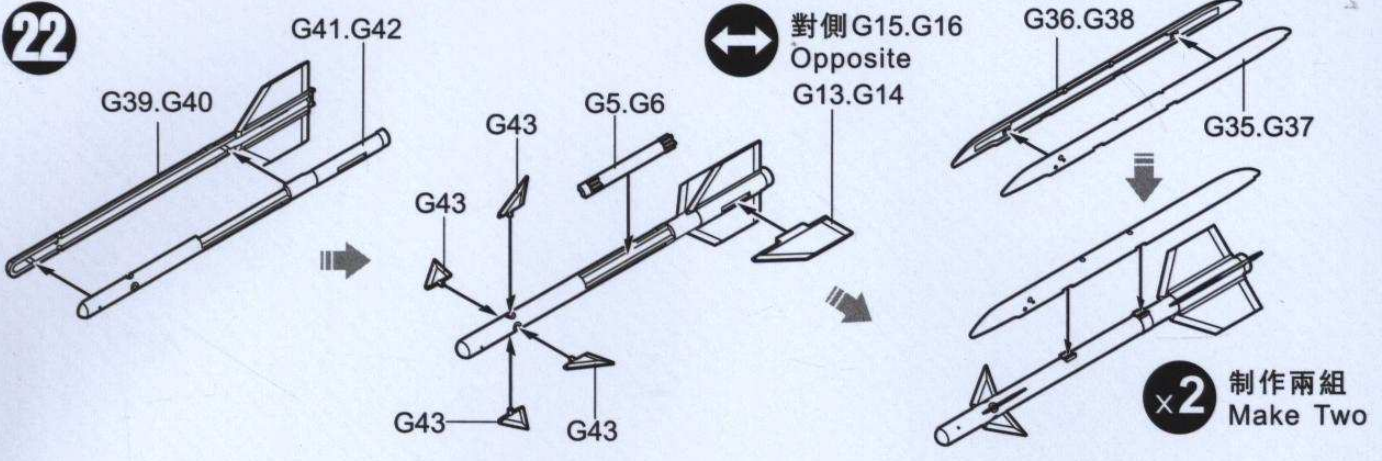
20



21

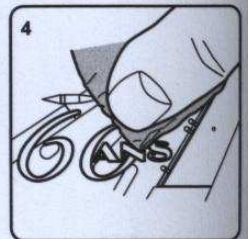
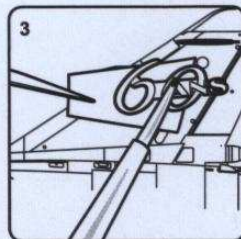
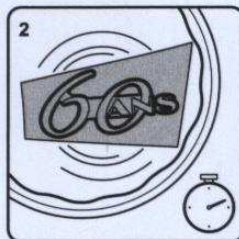
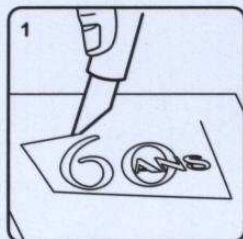


22



hobby.dn.ua

DECAL APPLICATION



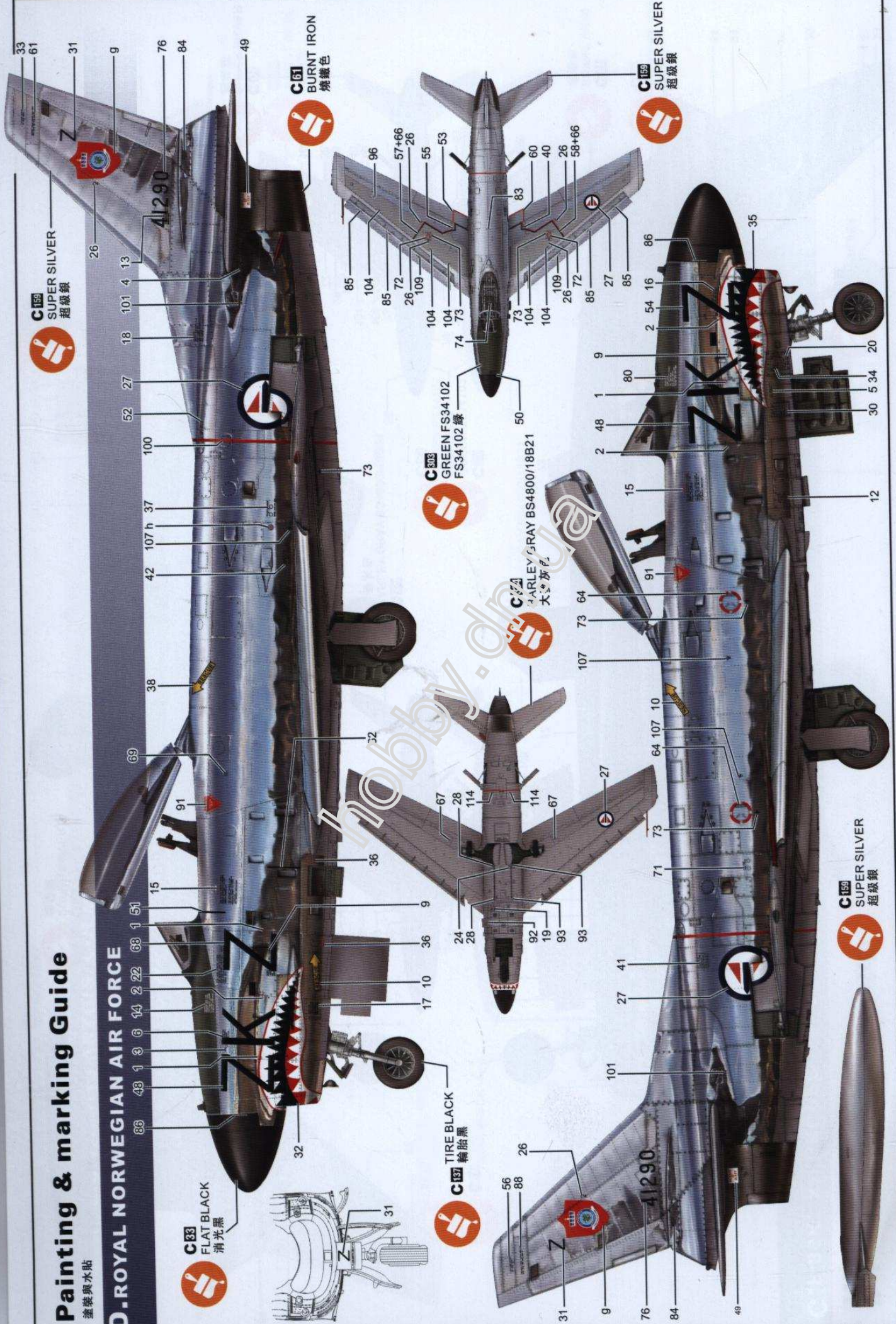
1. Cut off decal from transfer sheet.
2. Dip the decal in water for about 10 seconds (may take more seconds if in low temperature), and place on a clean cloth.
3. Hold the backing paper edge and slide decal onto the model. Then move decal into position by wetting decal with brush or finger.
4. Press decal gently down with a soft cloth until excess water and air bubbles are gone.



Painting & marking Guide

塗裝與水貼

D. ROYAL NORWEGIAN AIR FORCE



C159
SUPER SILVER
超級銀

C161
BURNT IRON
燒鐵色

C103
GREEN FS34102
FS34102 綠

C154
ARLEY GRAY BS4800/18B21
大空灰

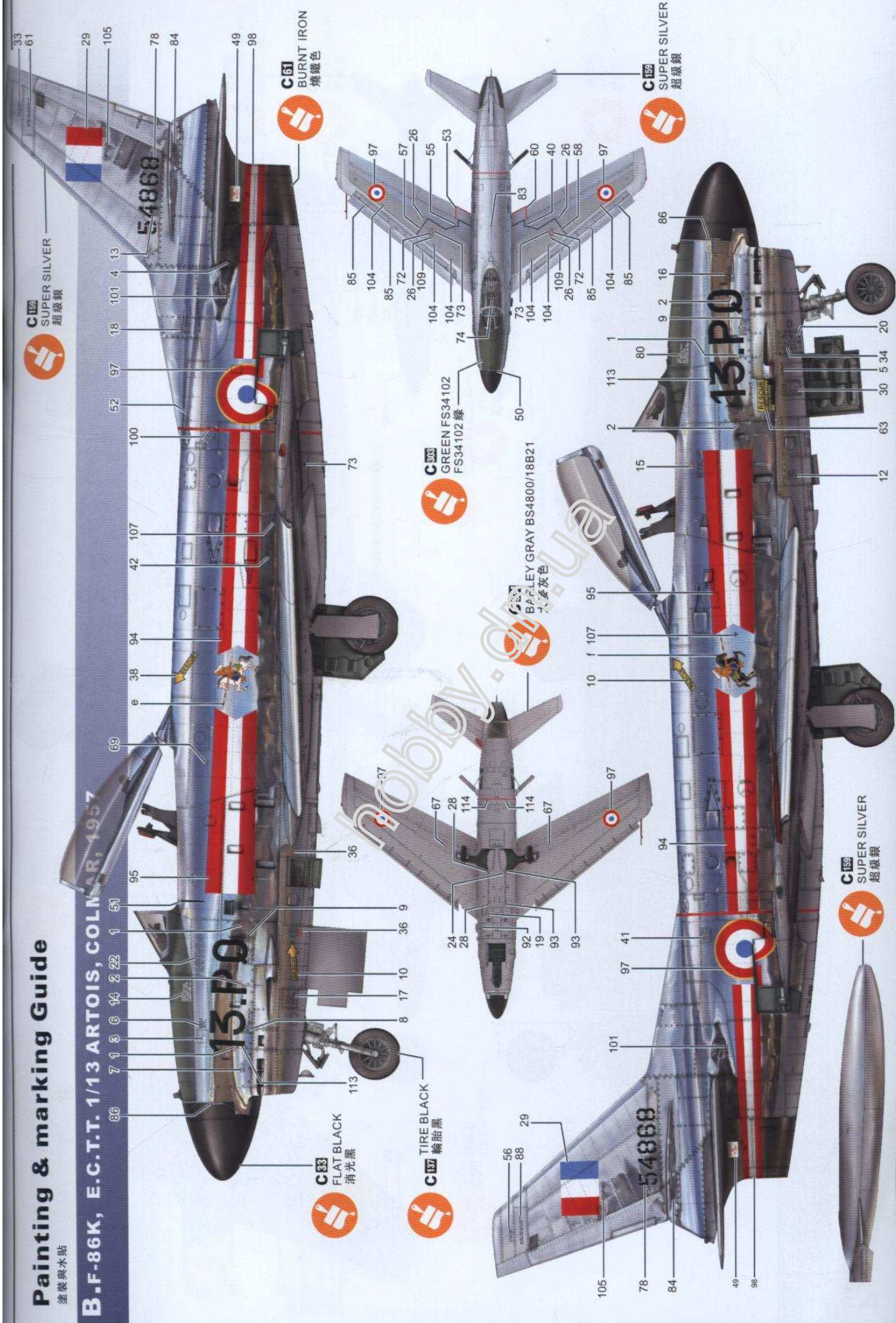
C159
SUPER SILVER
超級銀

C159
SUPER SILVER
超級銀

Painting & marking Guide

塗裝與水貼

B.F-86K, E.C.T.T. 1/13 ARTOIS, COLMAR, 1957



C159
SUPER SILVER
超級銀



C61
BURNT IRON
燒鐵色



C333
GREEN FS34102
FS34102 綠



BARLEY GRAY BS4800/18B21
大麥灰色



C159
SUPER SILVER
超級銀

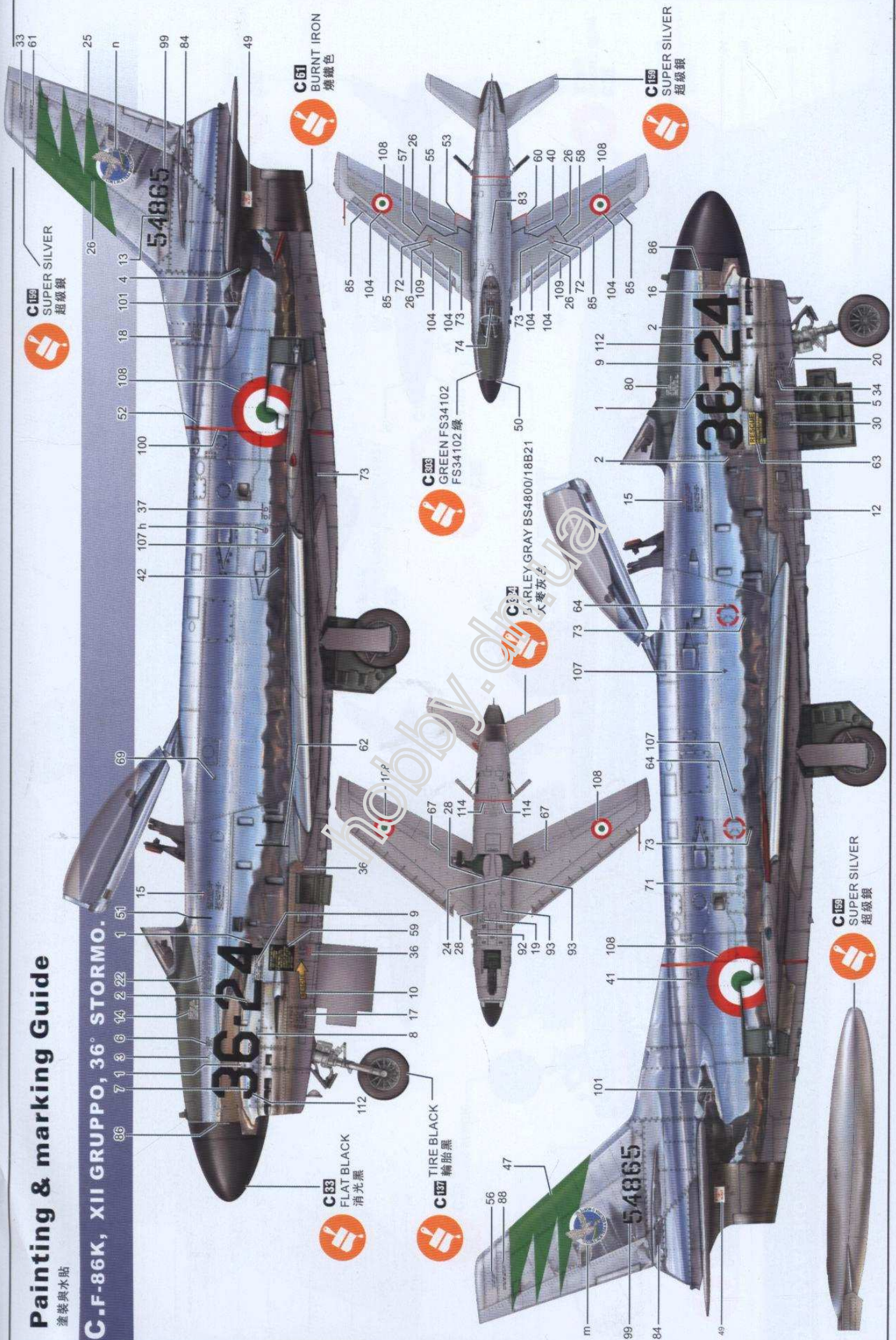


C159
SUPER SILVER
超級銀

Painting & marking Guide

塗裝與水貼

C.F-86K, XII GRUPPO, 36° STORMO.



C159
SUPER SILVER
超級銀

C61
BURNT IRON
燒鐵色

C159
SUPER SILVER
超級銀

C303
GREEN FS34102
FS34102 綠

C171
HARLEY GRAY BS4800/18B21
大藍灰

C83
FLAT BLACK
消光黑

C177
TIRE BLACK
輪胎黑

C159
SUPER SILVER
超級銀