

# READ BEFORE ASSEMBLY

在組合您的模型之前，請充分閱讀本冊說明書。組合模型您需要如下物品（需另購）：模型膠水；一把模型鉗或一把用于將零件從框架上切下的模型筆刀。筆刀同樣可以用來修整零件的合模綫。祝您制作愉快！

Before assembling your model kit, read through these instructions carefully. To assemble this kit, you will need Plastic glue ( not include ). A pair of side cutter or a sharp modelling knife is required for removing parts from the frame. Plastic mould lines can be removed with the modelling knife.



塗色  
Painting



對側  
Opposite



隨愛好選擇  
Optional



鉆孔  
Make Hole

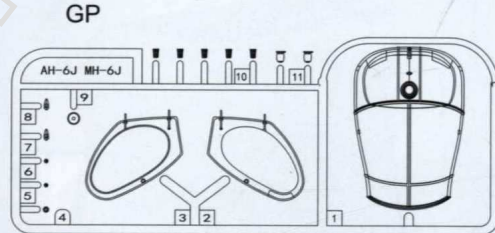
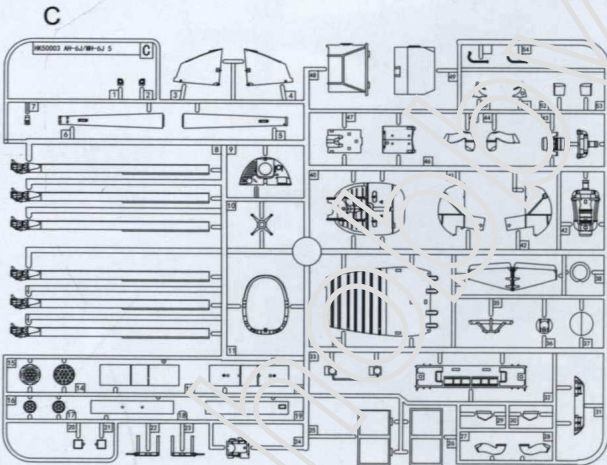
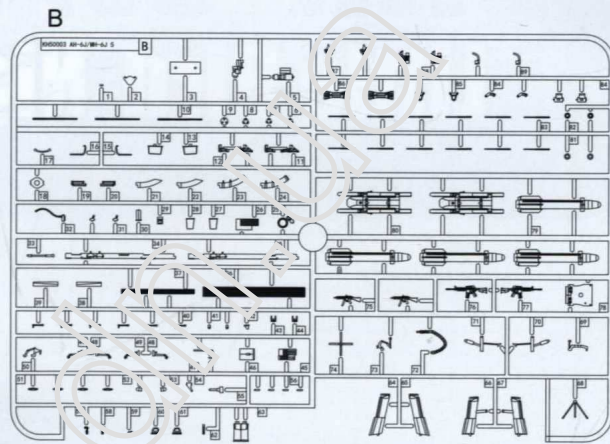
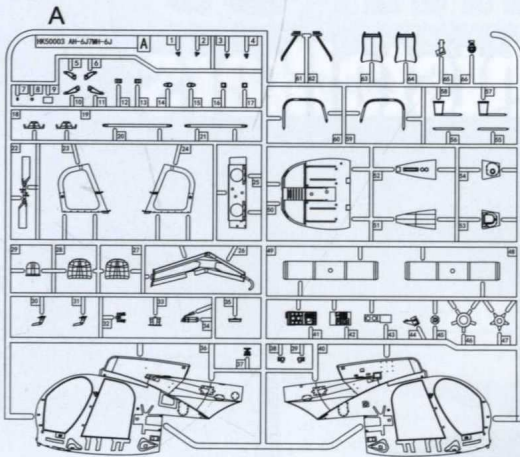


制作兩組  
Make Two

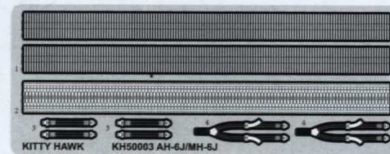


彎曲  
Bend

## 部品图 Parts

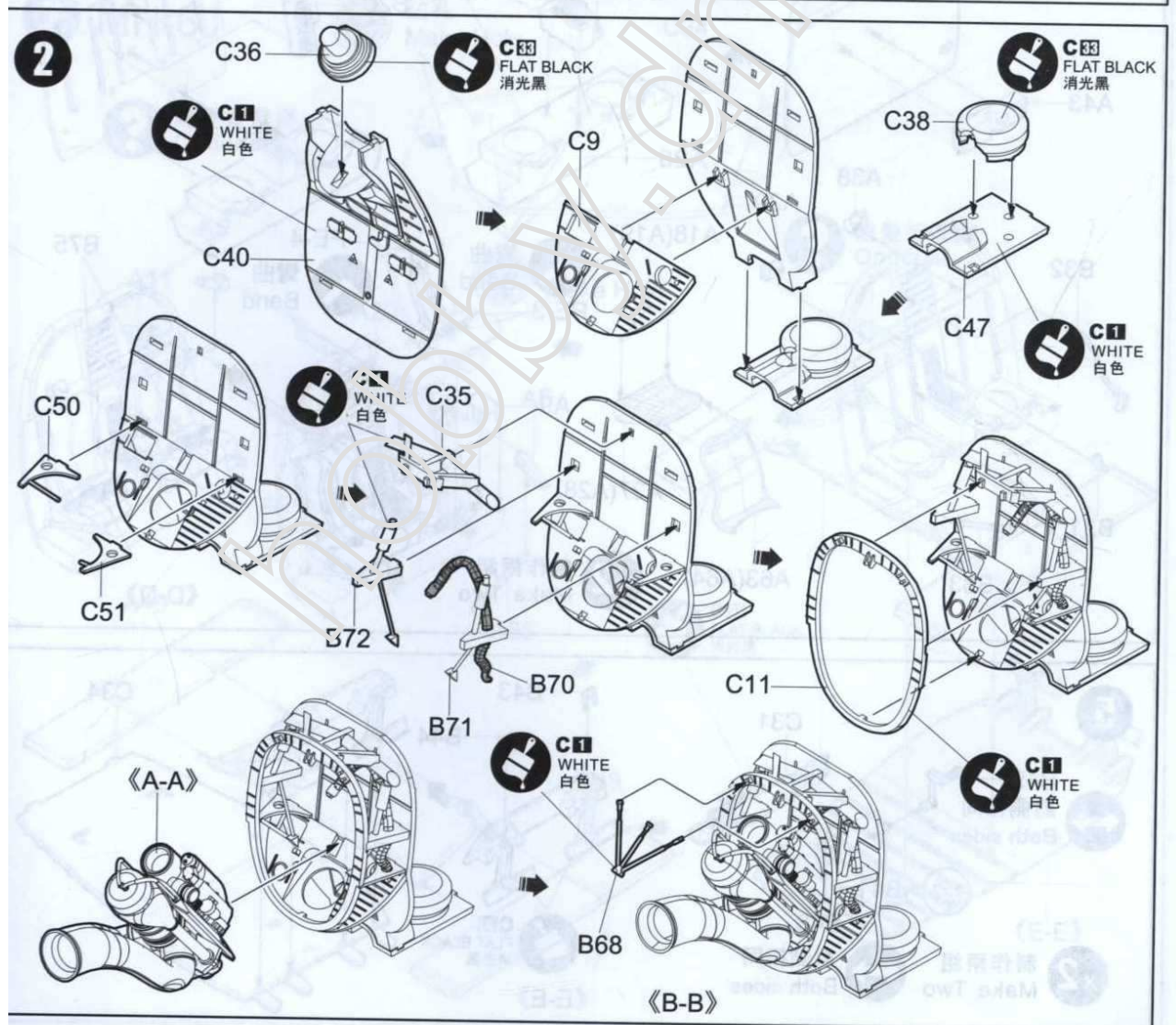
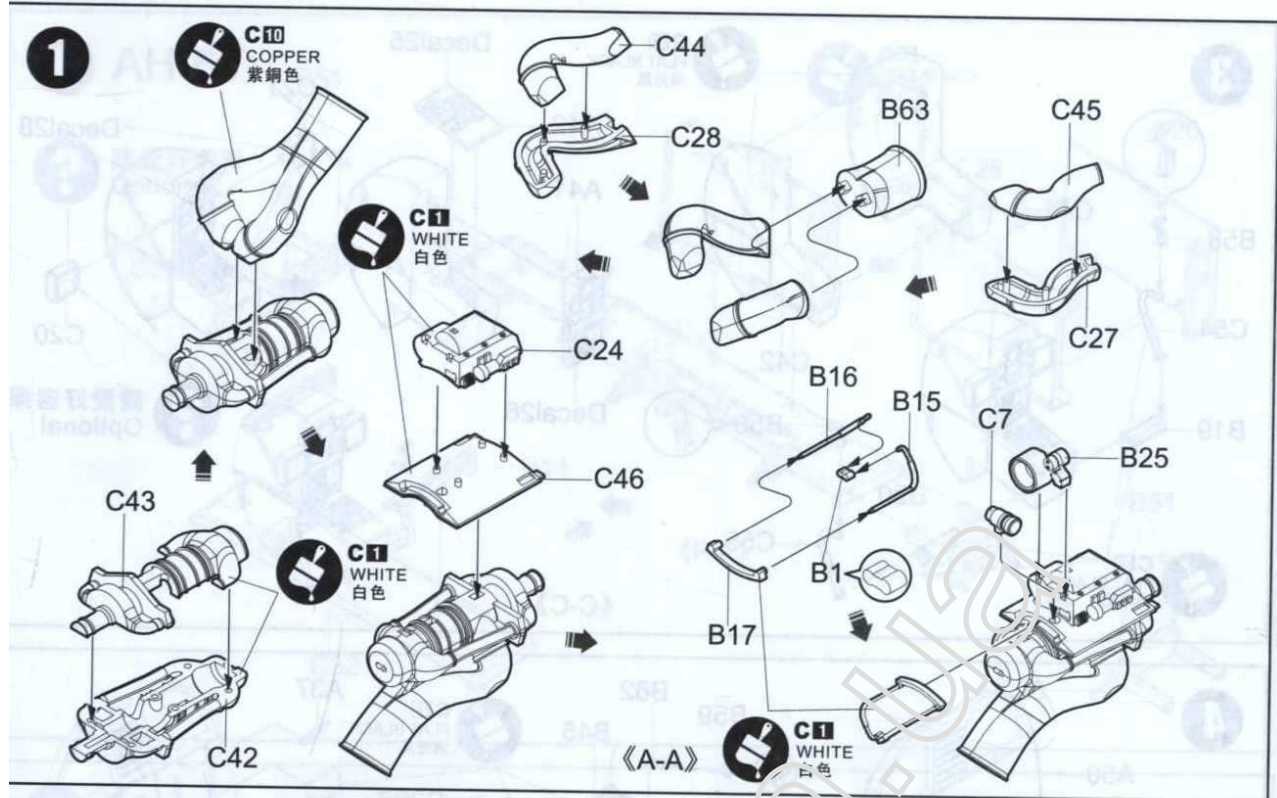


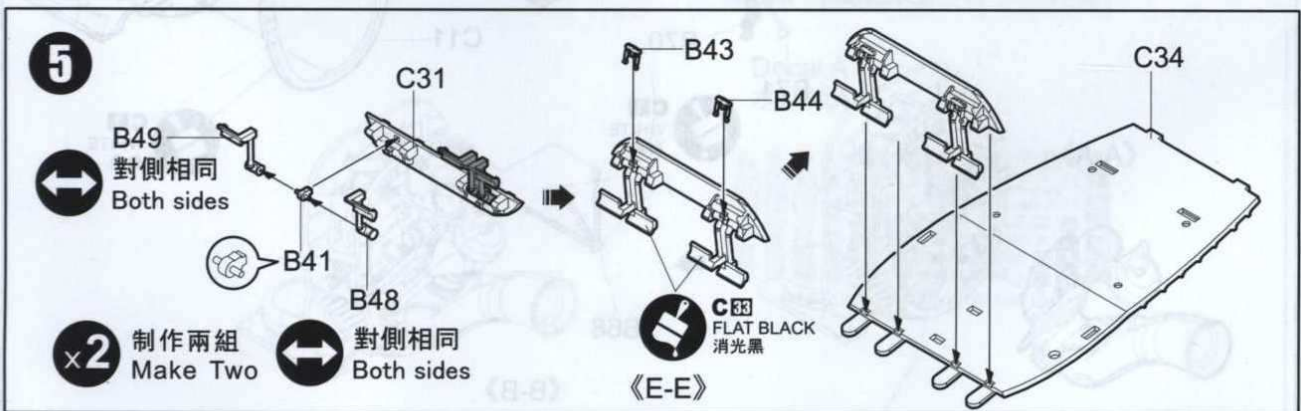
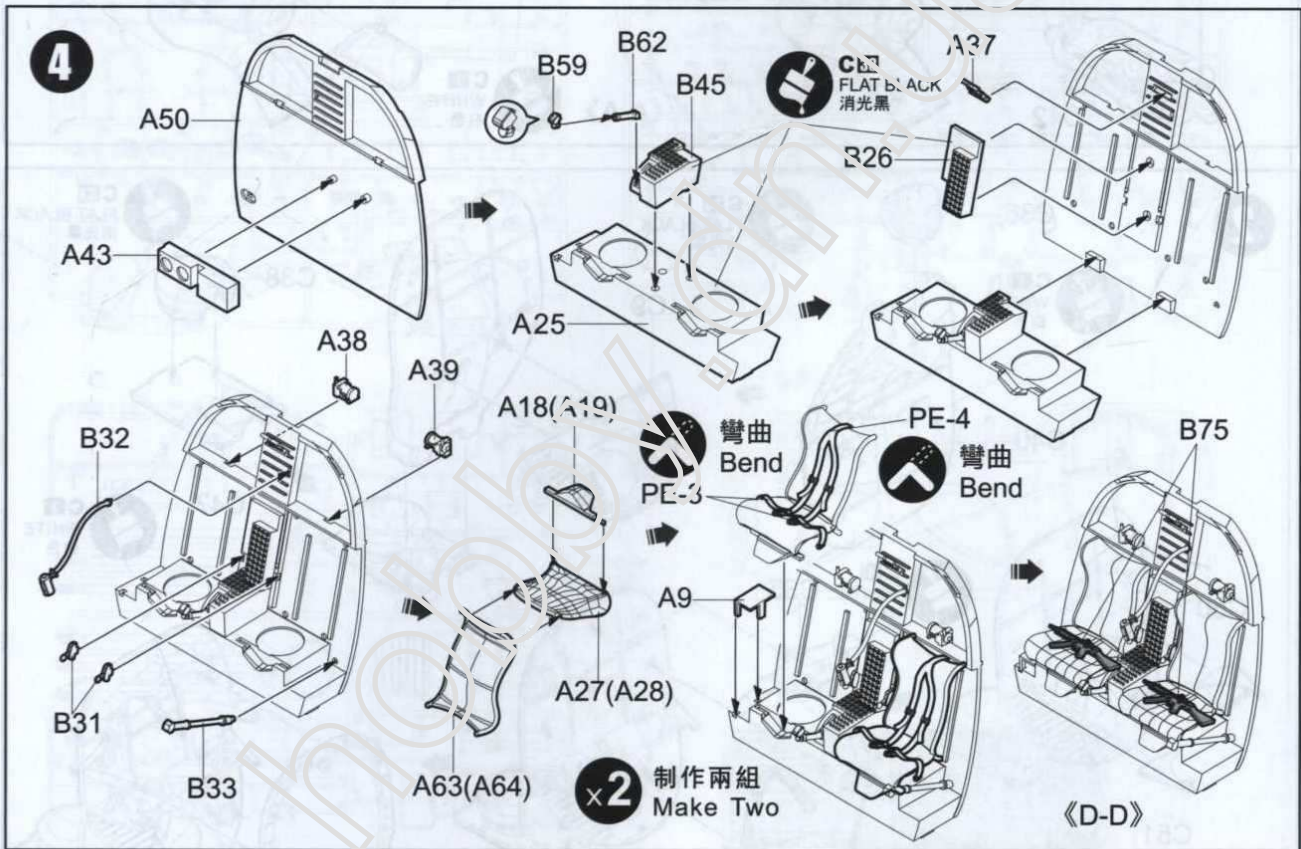
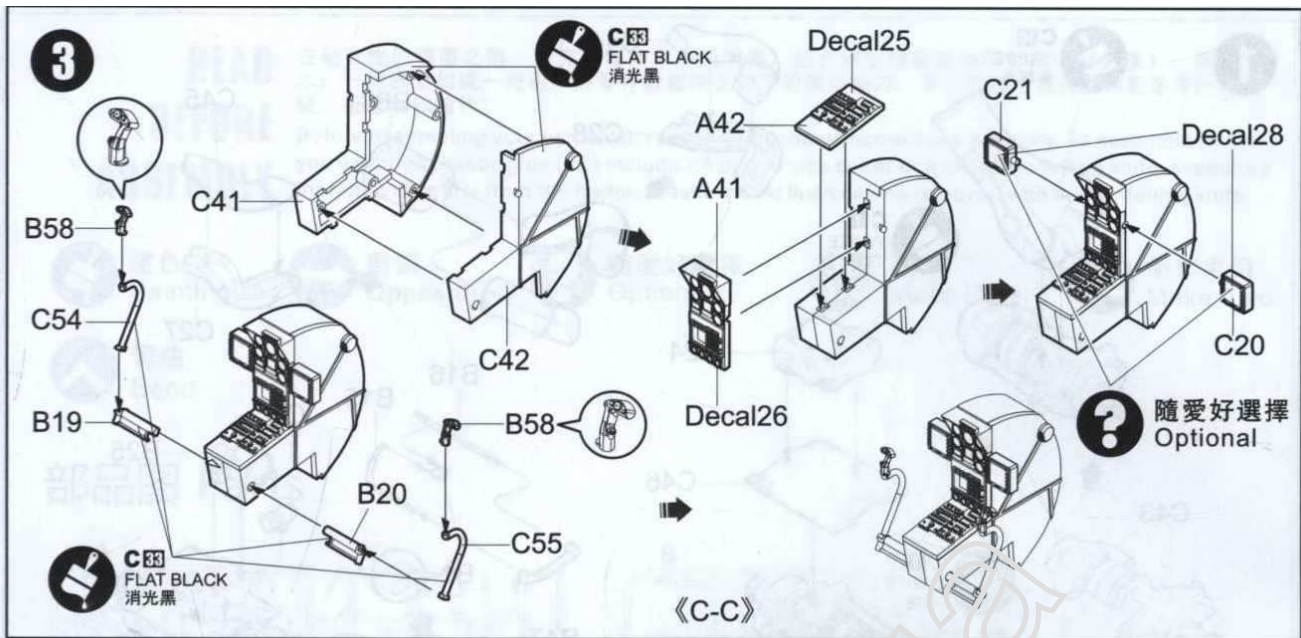
PE  
蚀刻片



Decal A  
水贴纸A

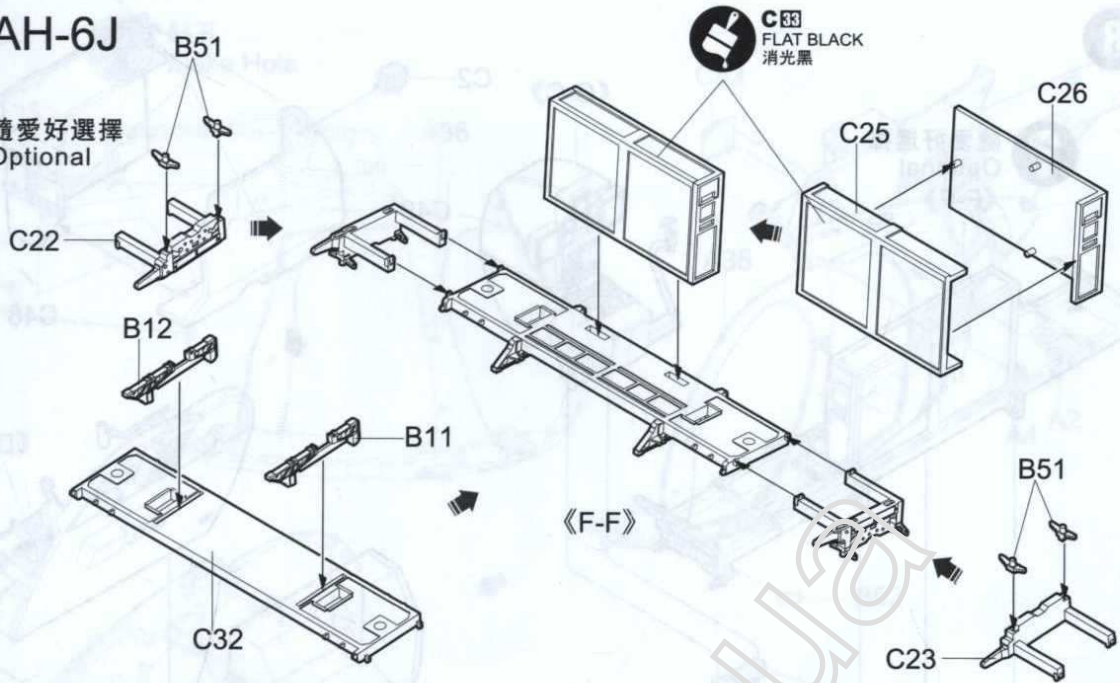






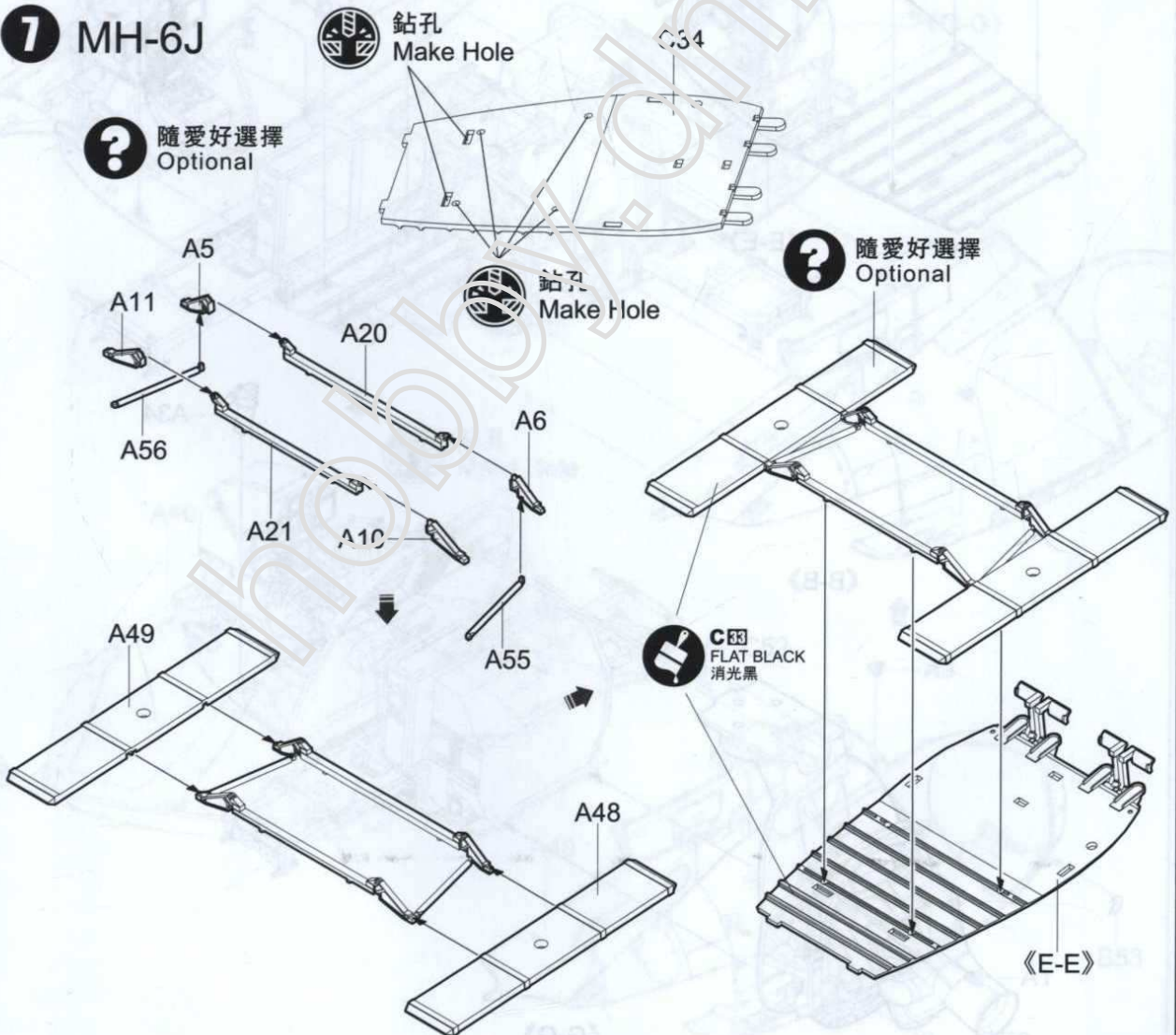
# 6 AH-6J

**?** 隨愛好選擇  
Optional



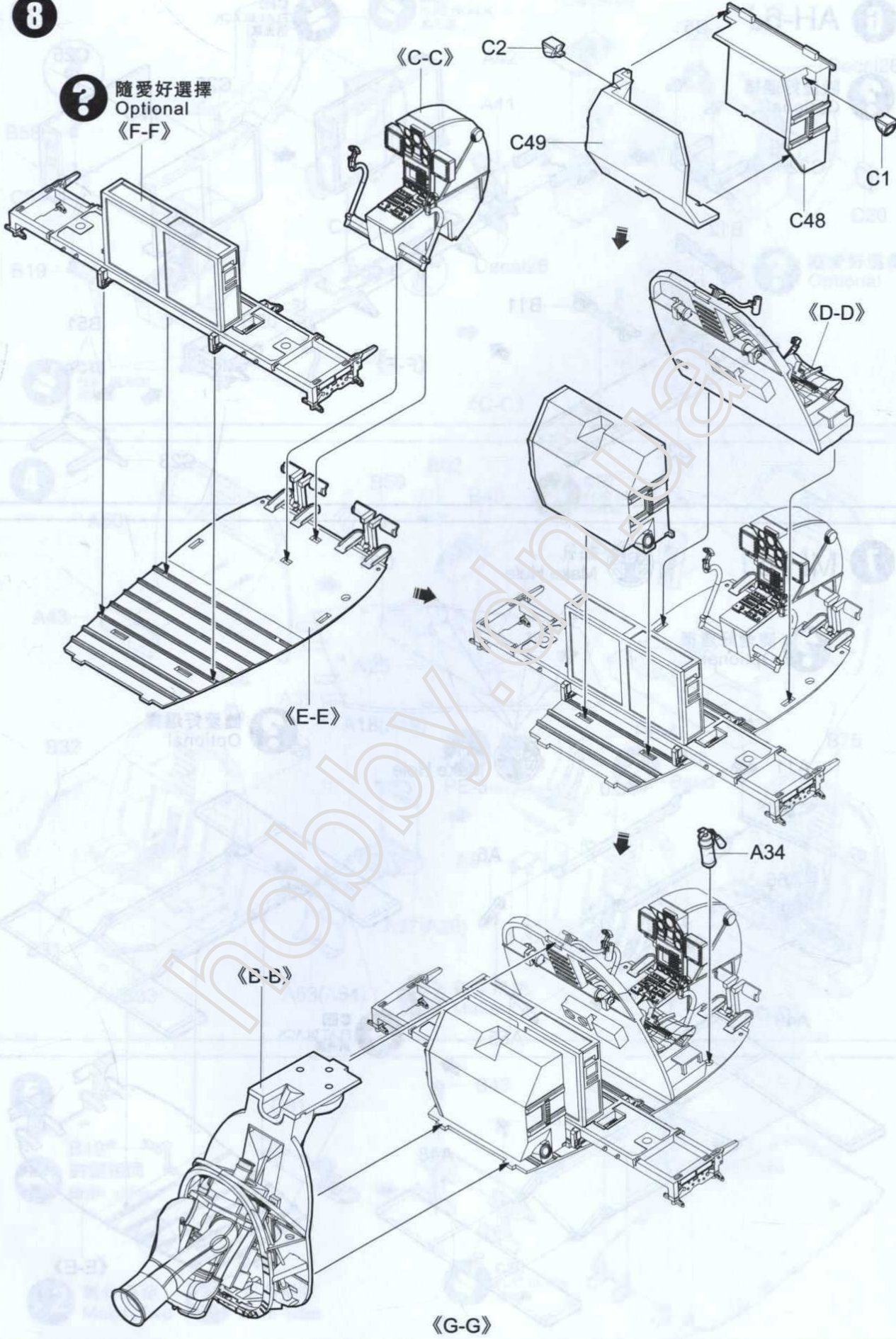
# 7 MH-6J

**?** 隨愛好選擇  
Optional



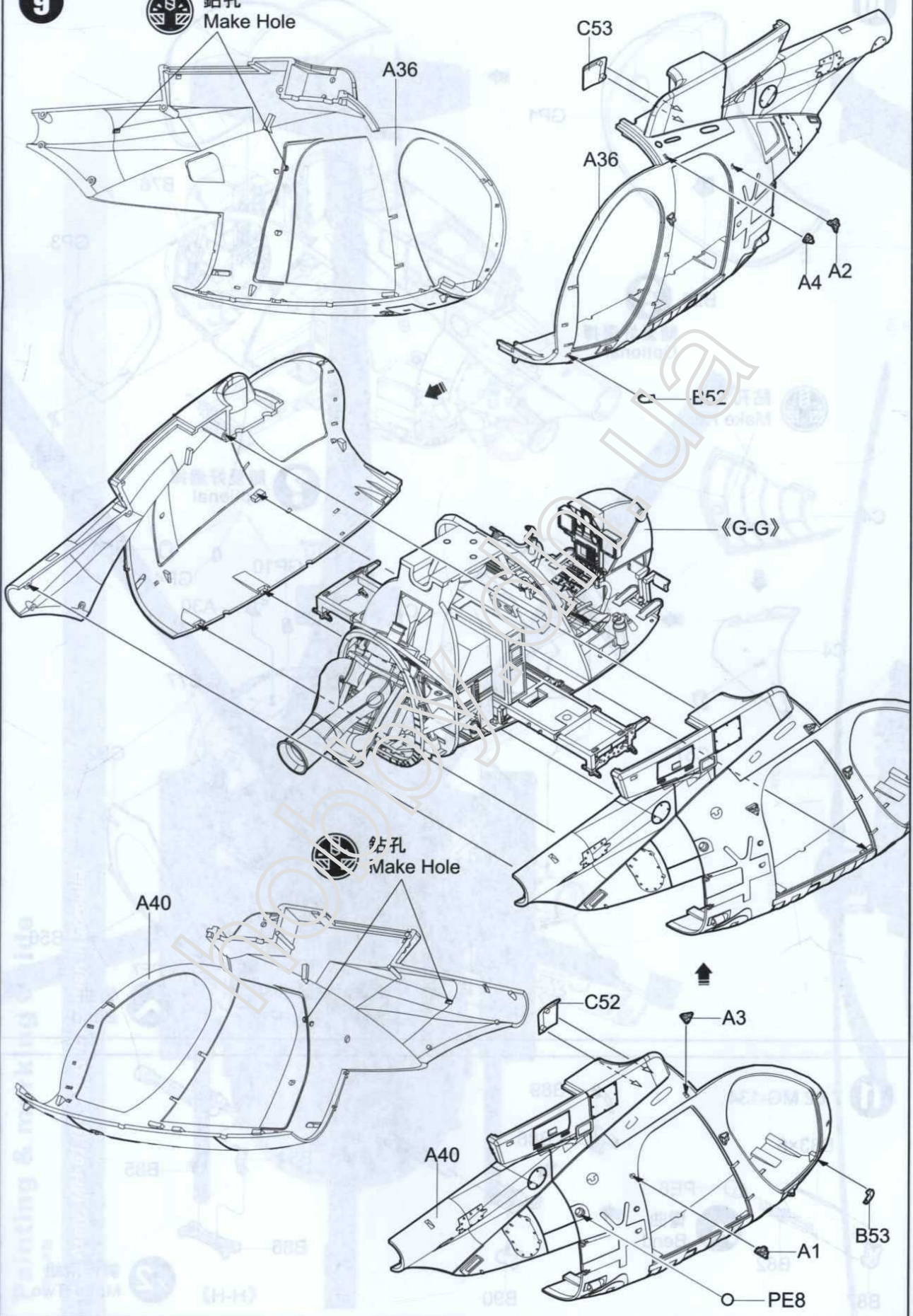
8

隨愛好選擇  
Optional  
《F-F》

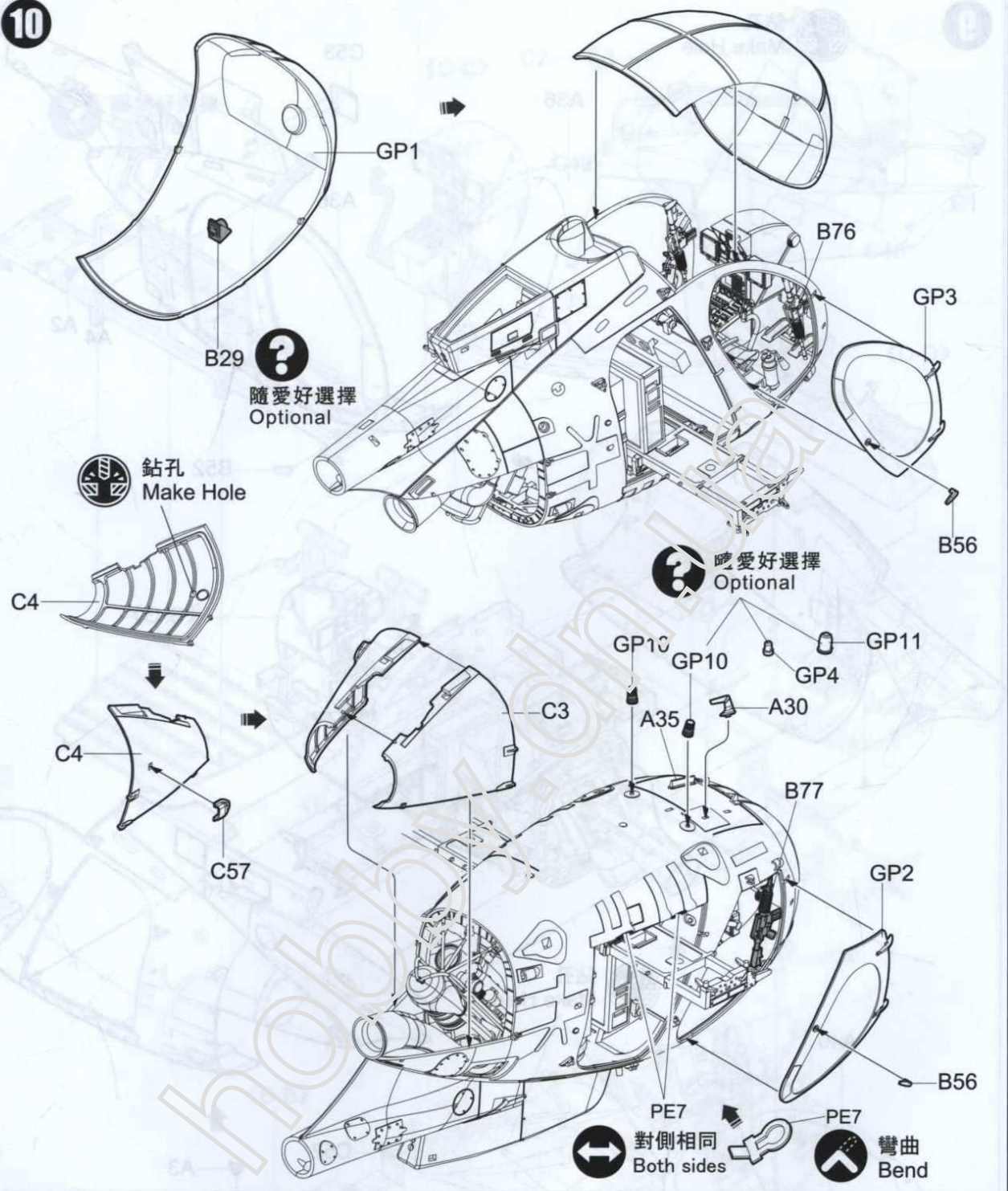


9

鑽孔  
Make Hole

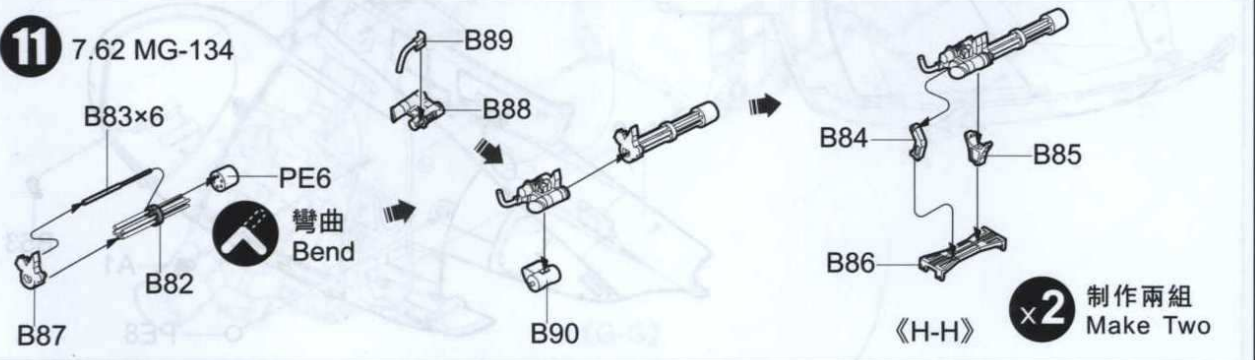


10

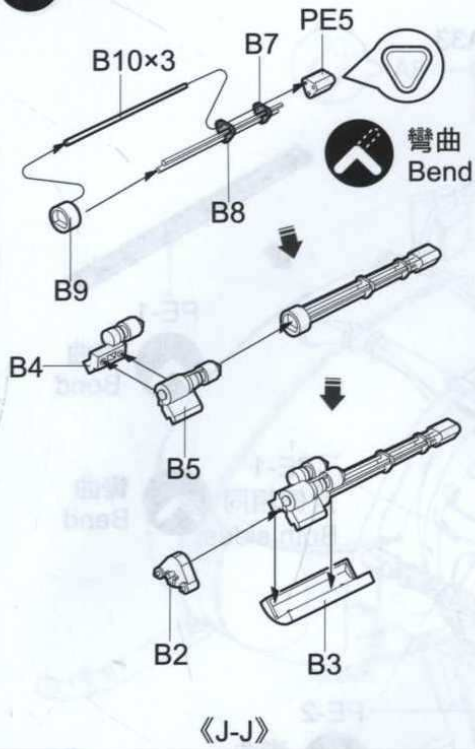


11

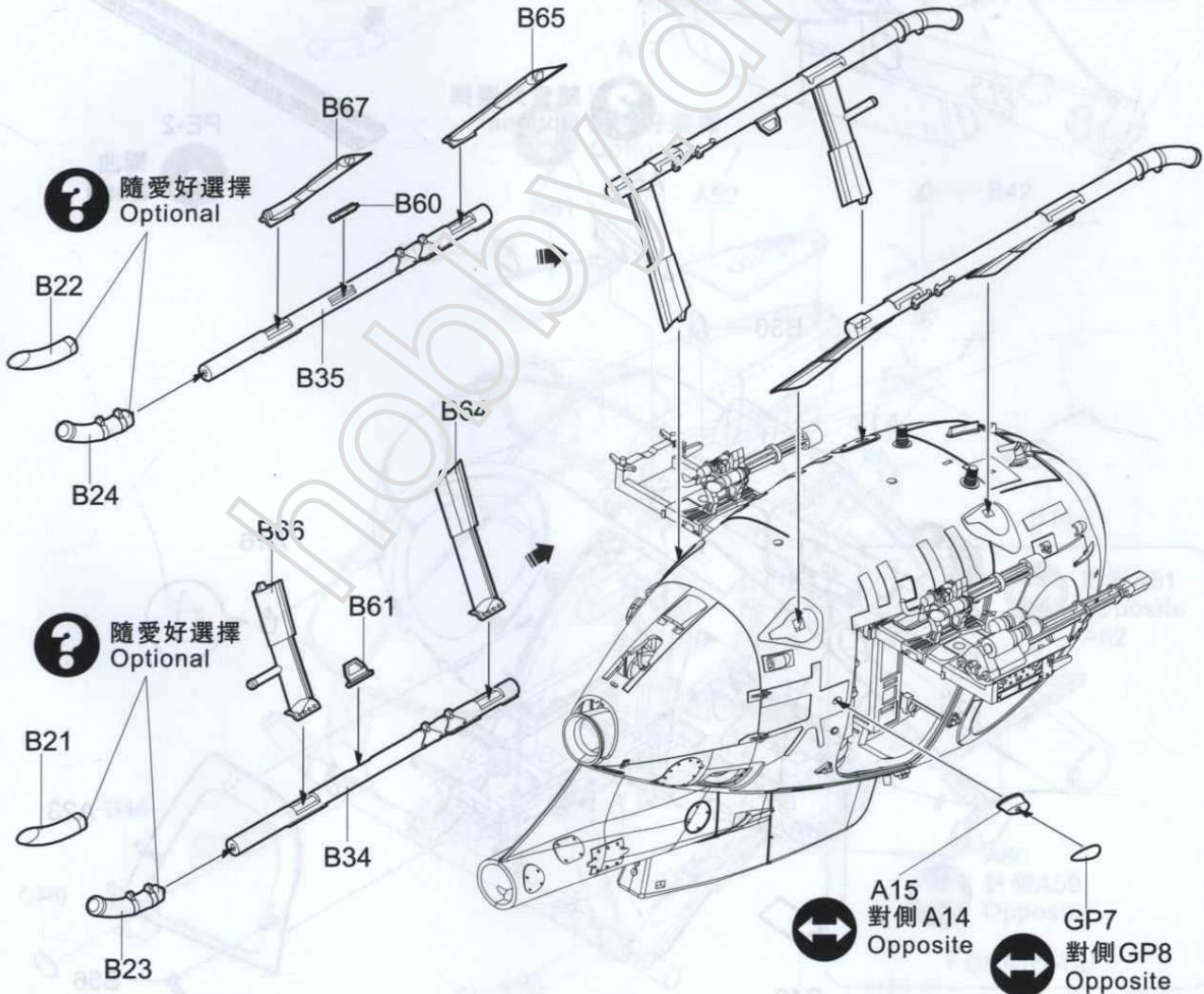
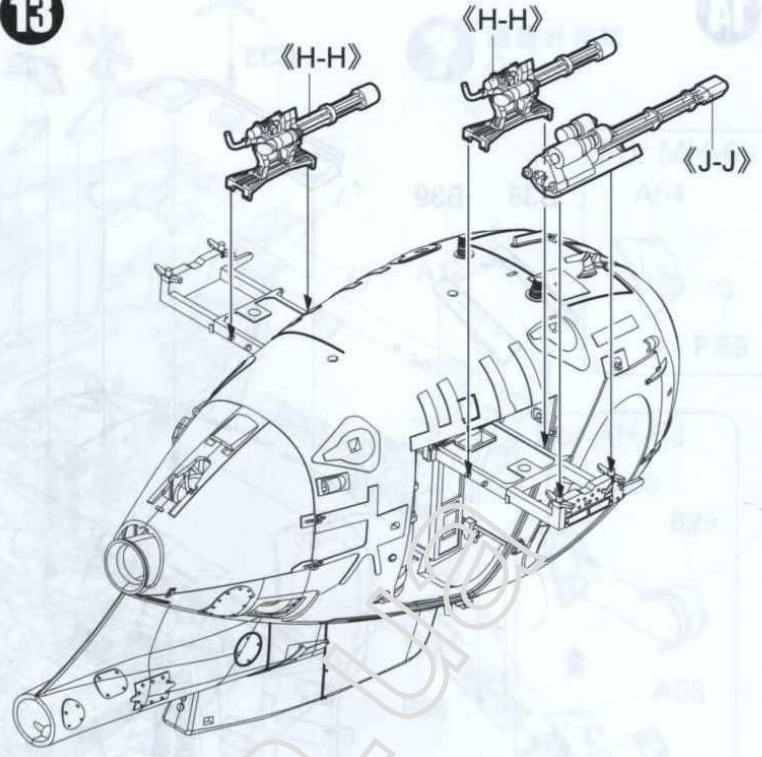
7.62 MG-134



**12** .50BMG GAU-19

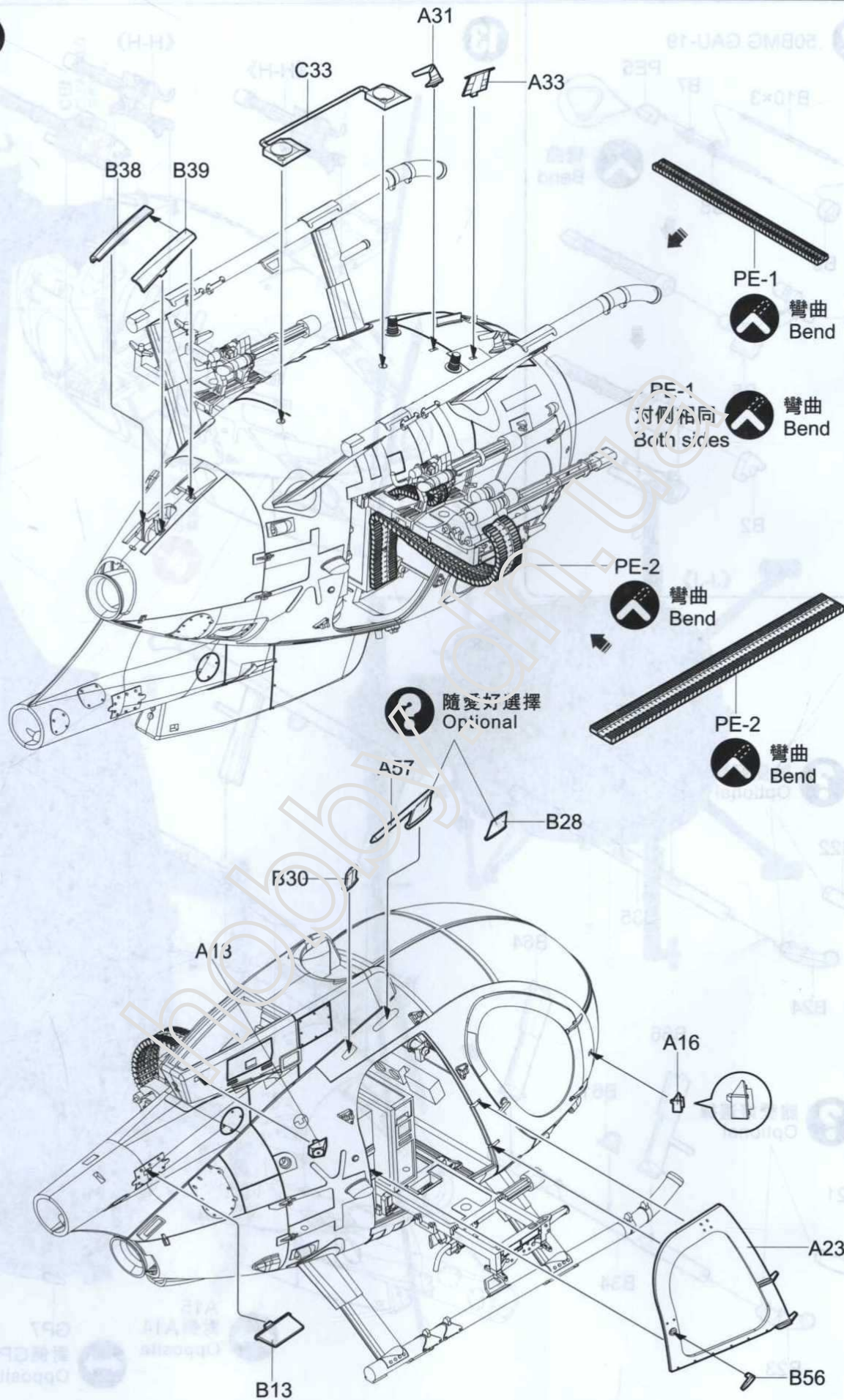


**13**

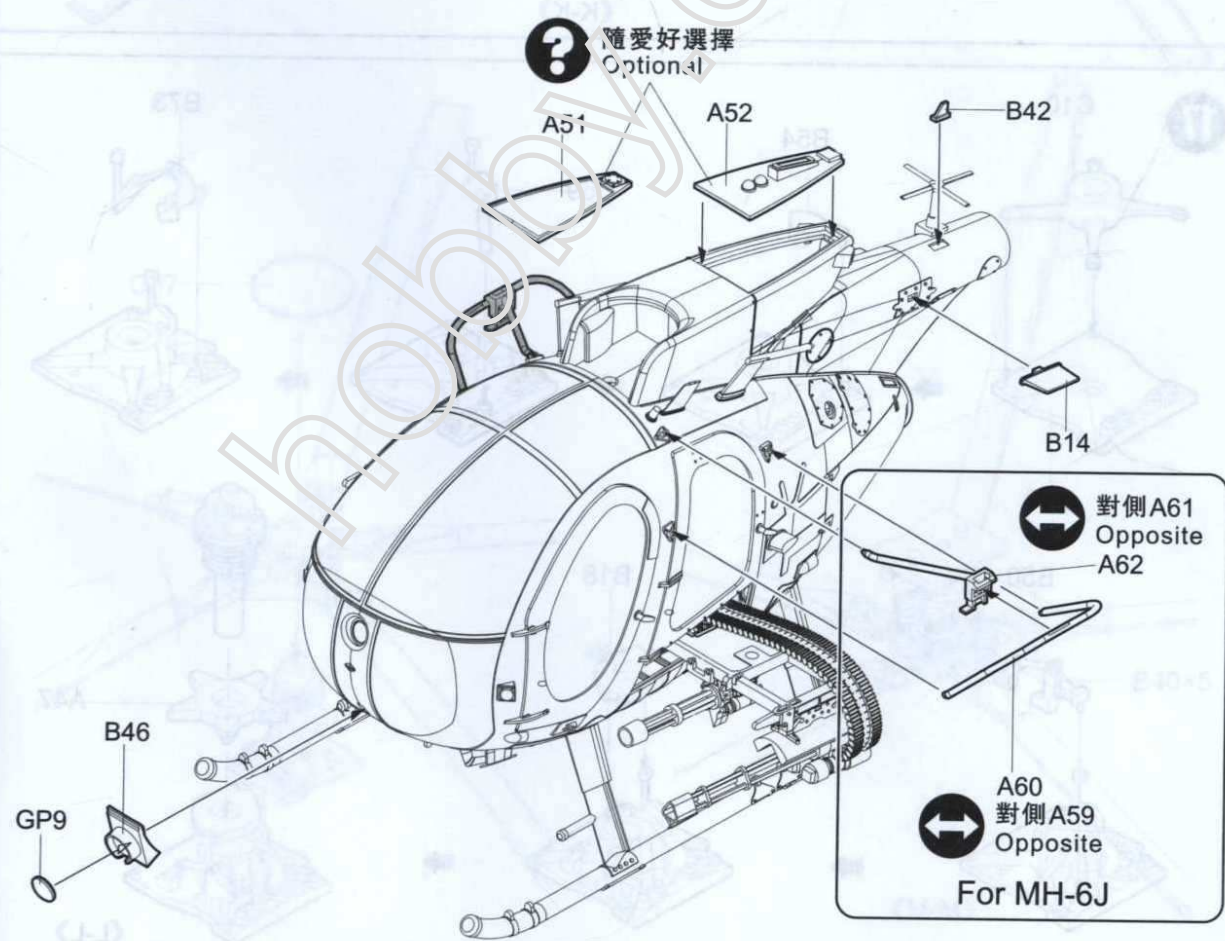
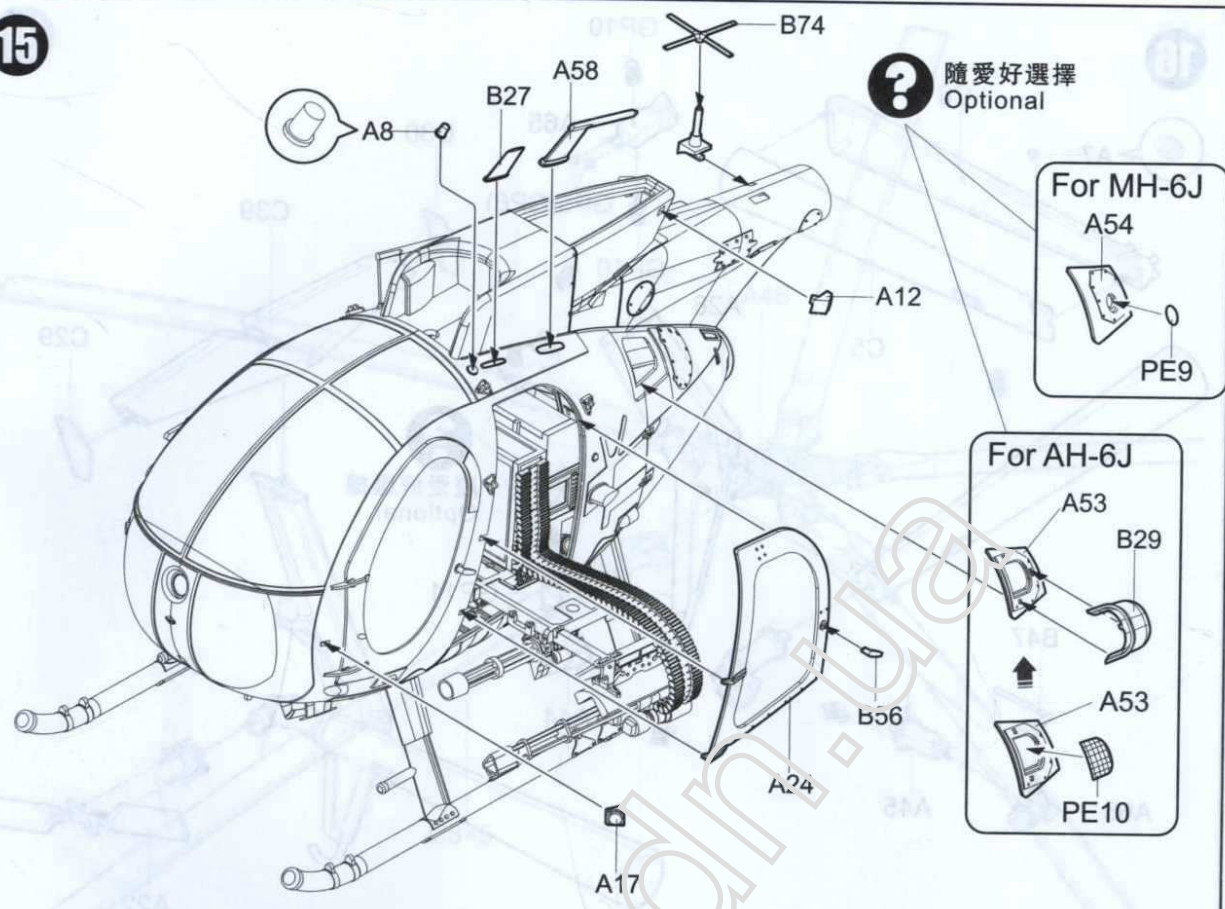




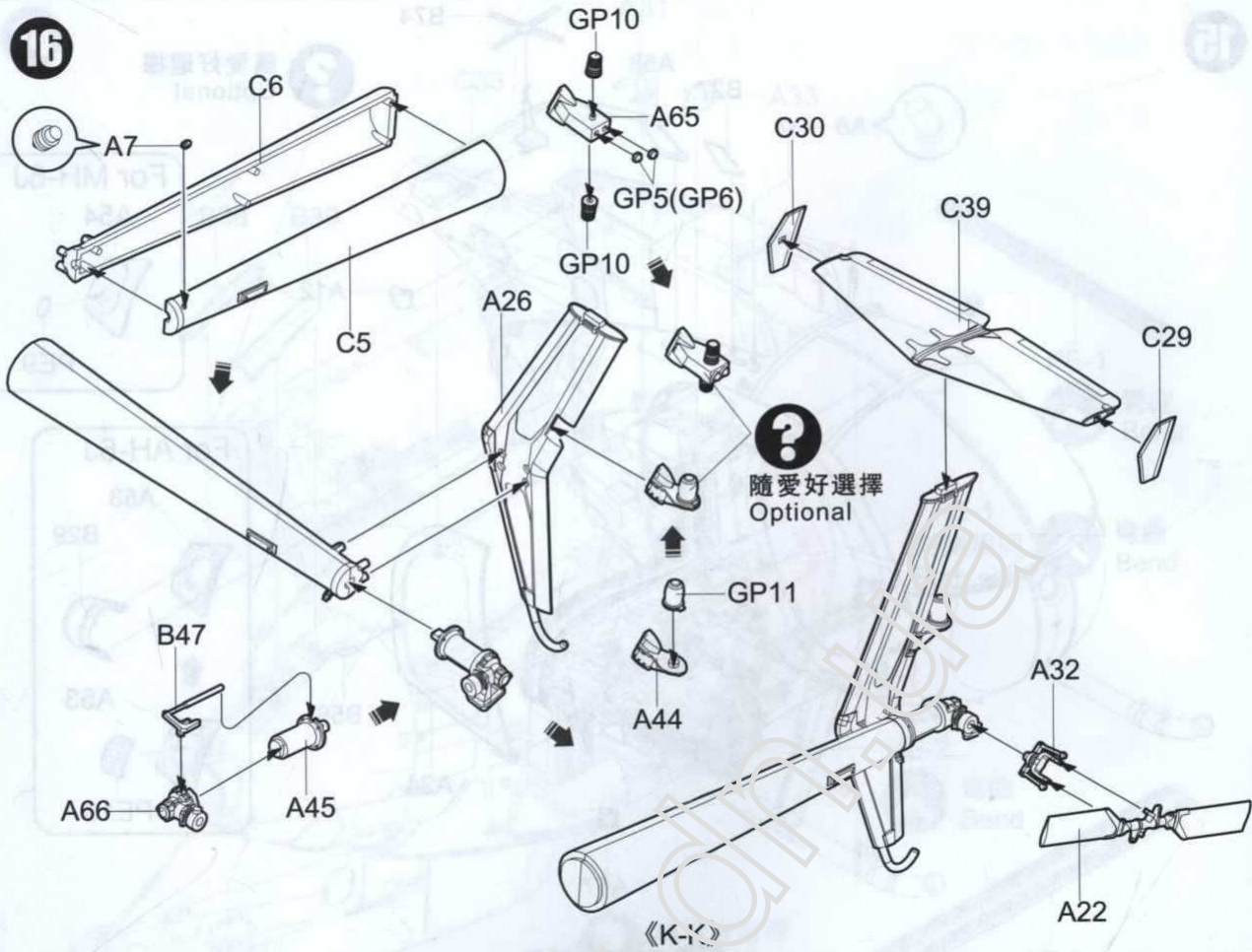
14



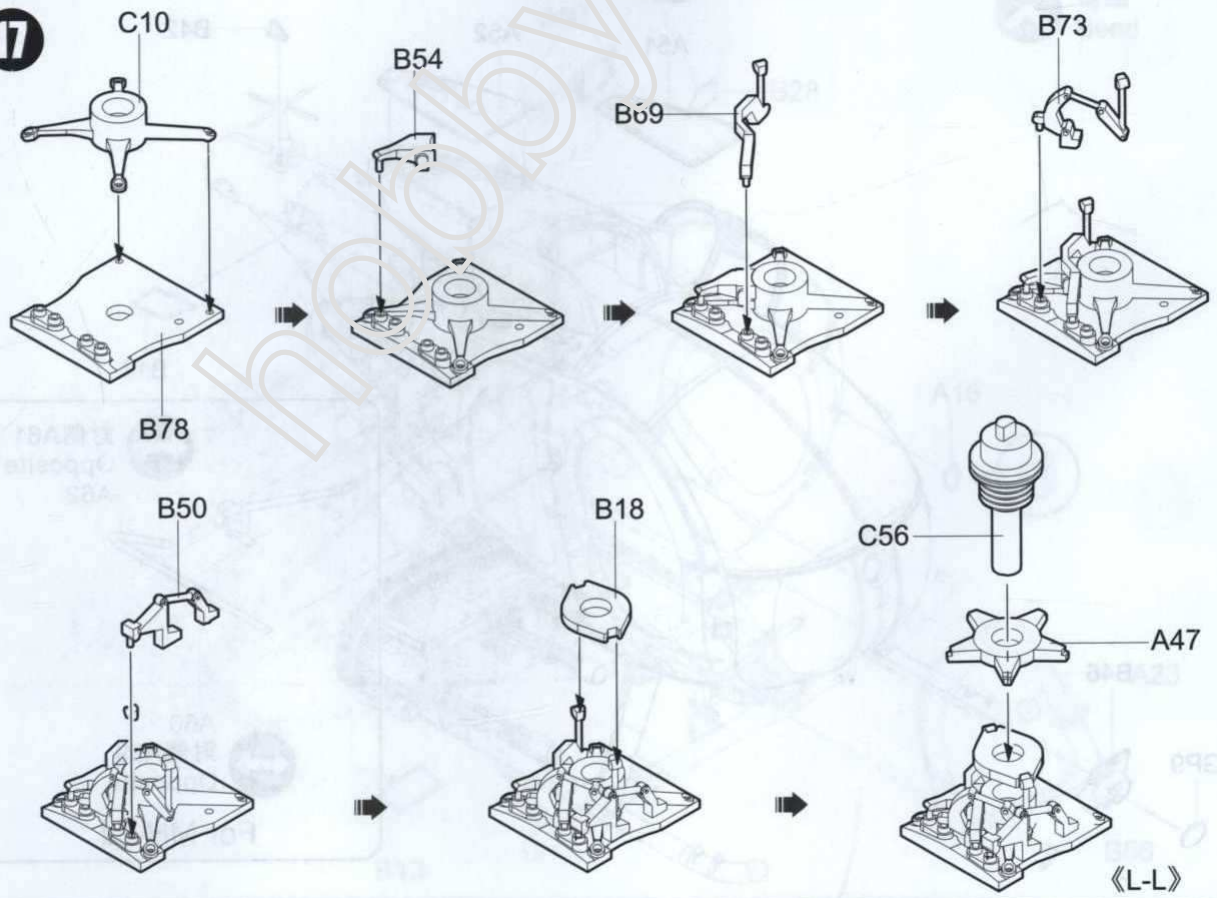
15

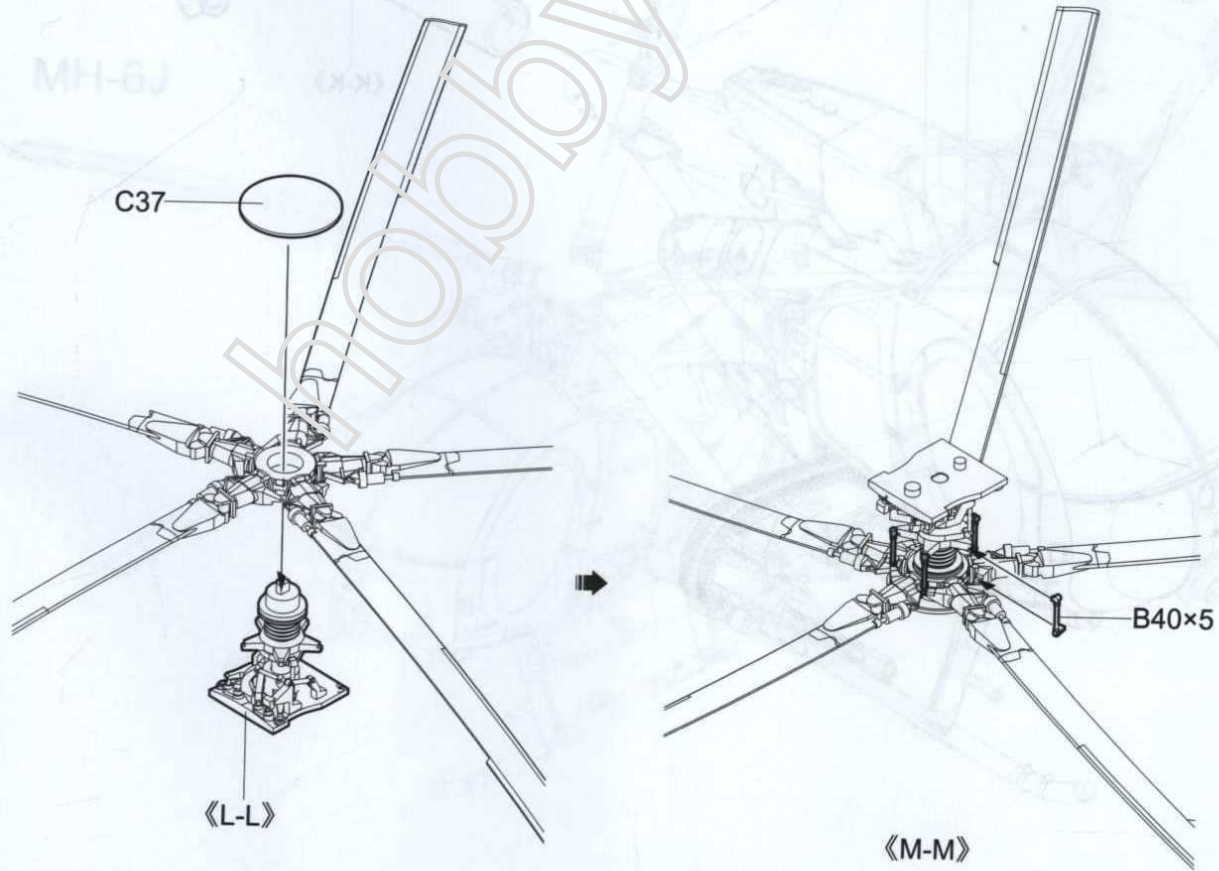
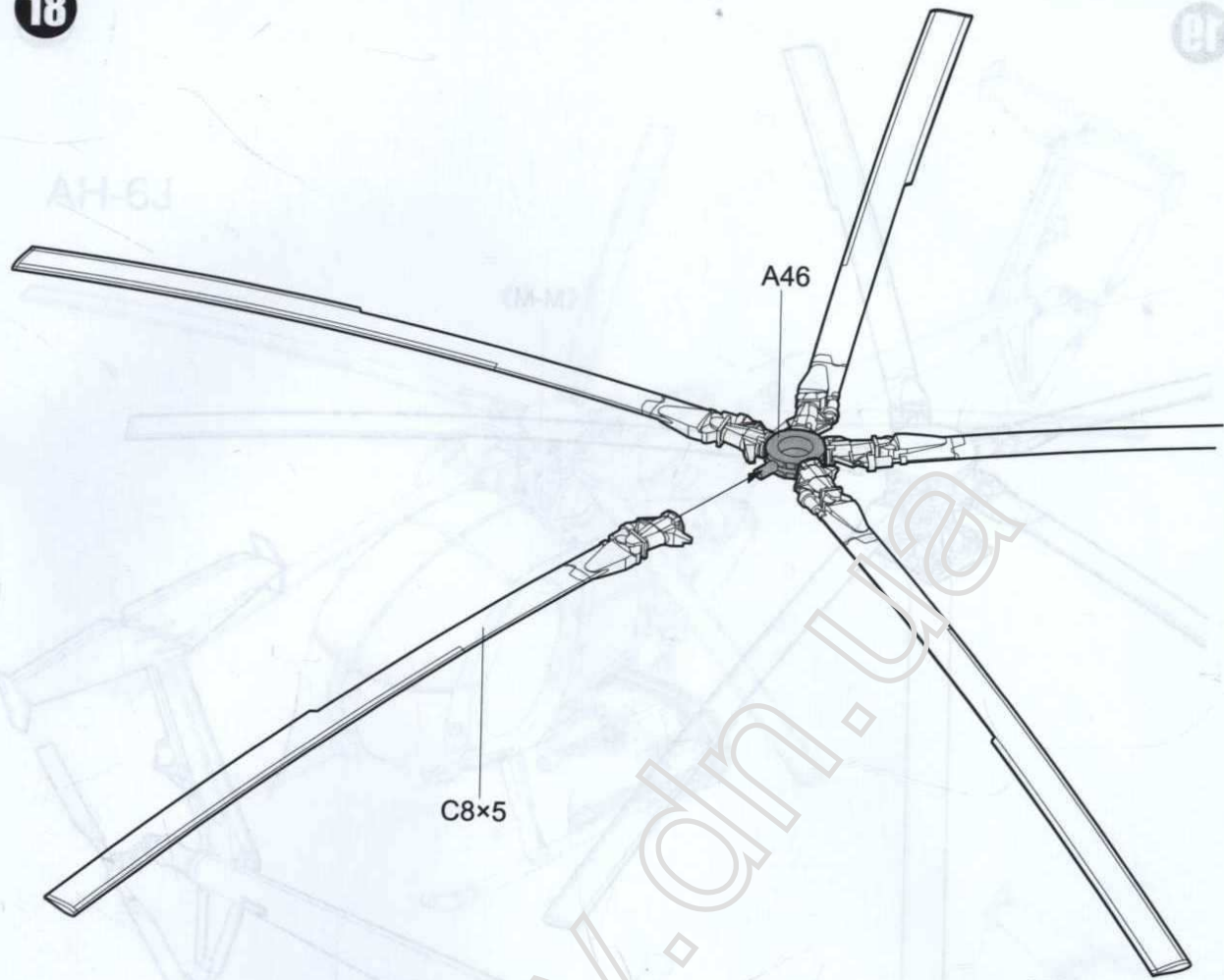


16



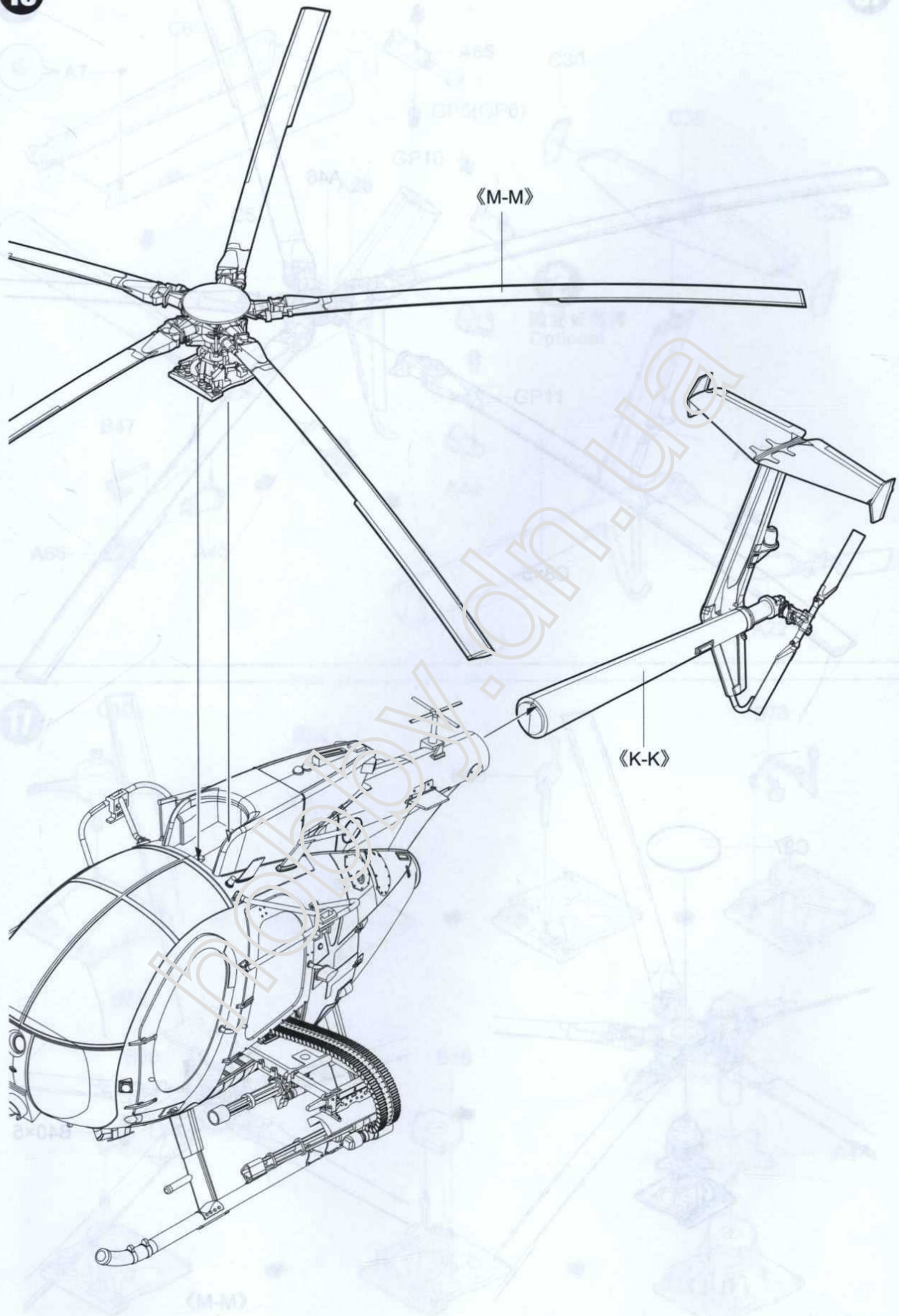
17



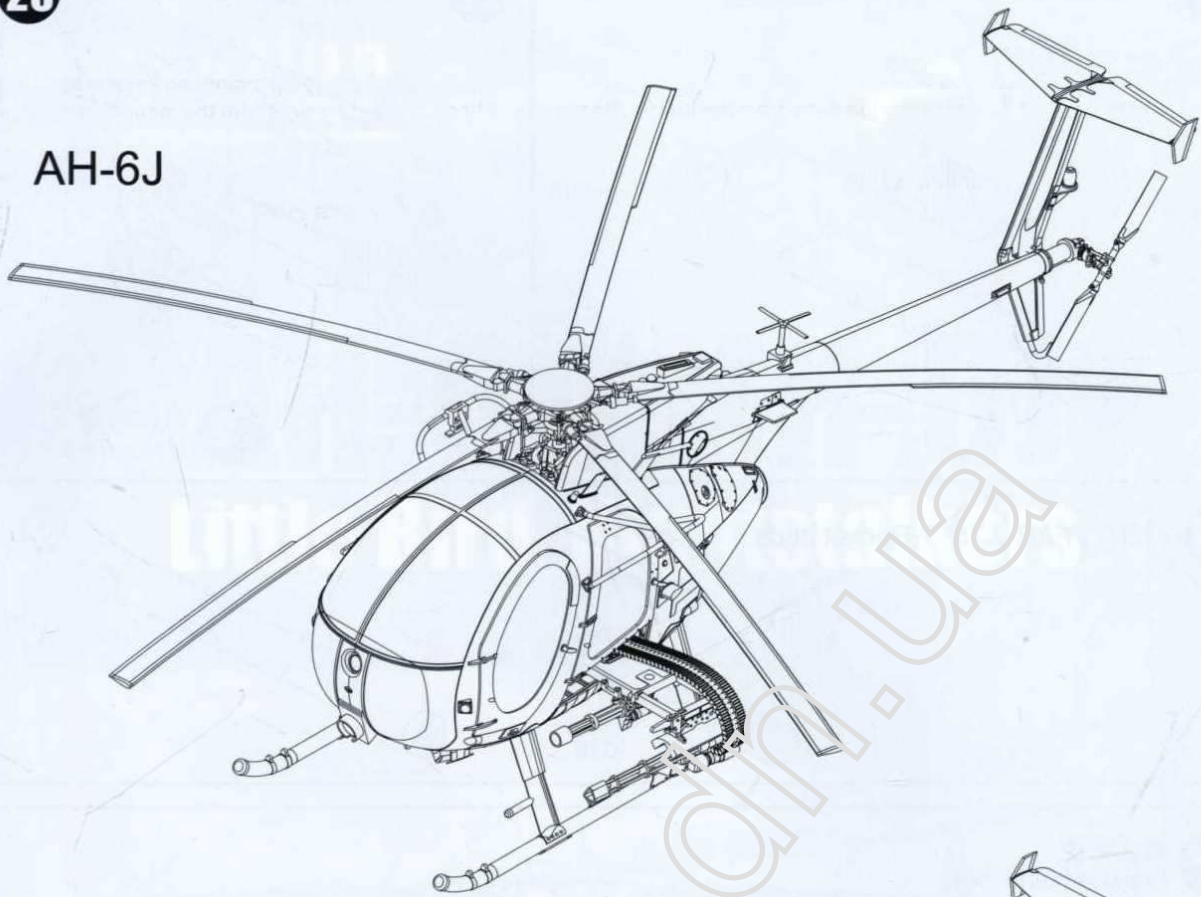


19

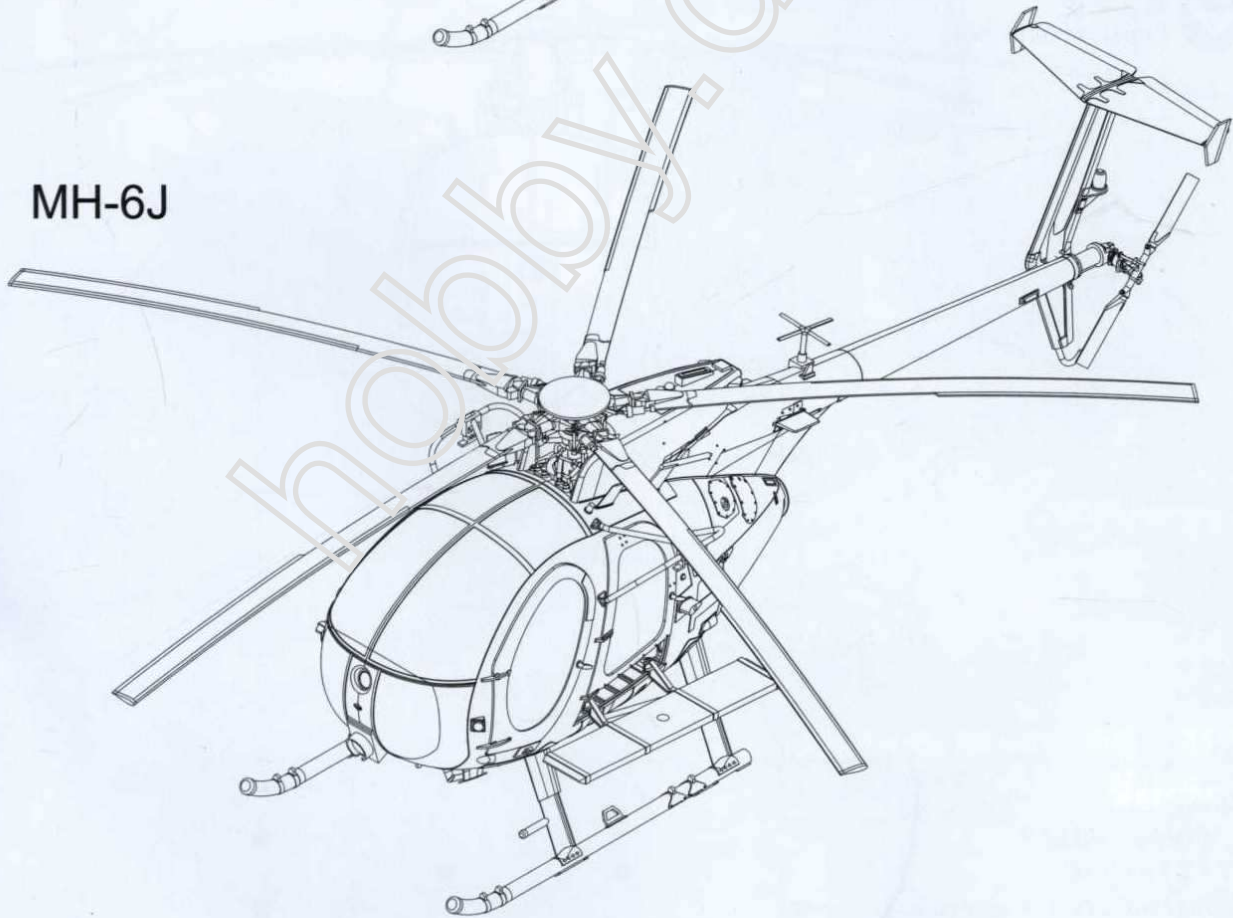
81



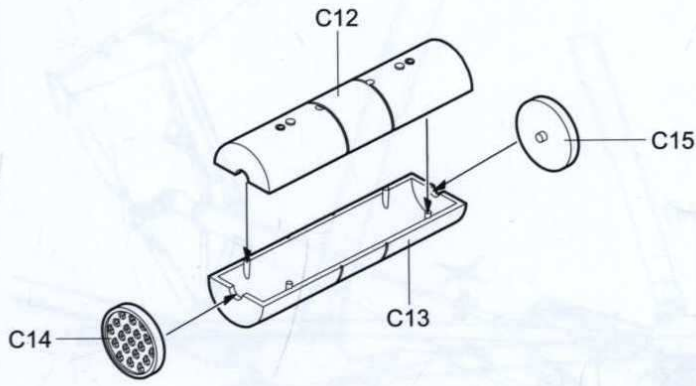
AH-6J



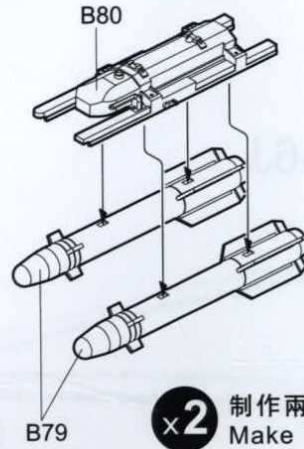
MH-6J



**21** M260 FFAR 2.75" 12-Rocket pods.

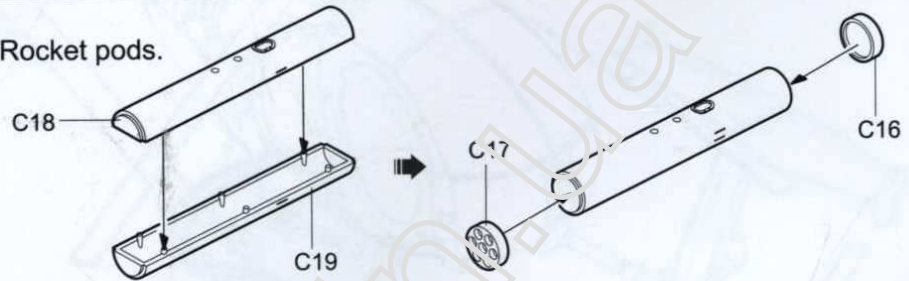


**22** AGM-114 Hellfire

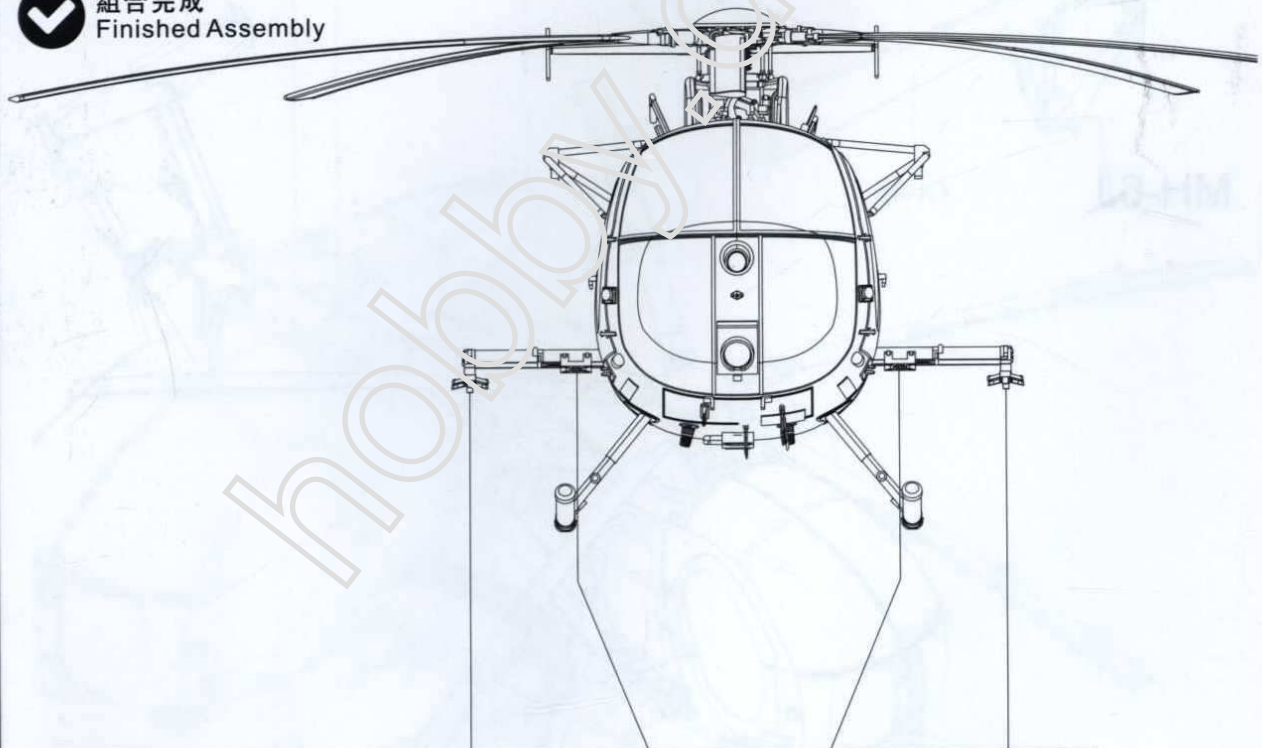


**x2** 制作兩組  
Make Two

**23** M260 FFAR 2.75" 7-Rocket pods.



**✓** 組合完成  
Finished Assembly



Missile	Sta.No	1	2	3	4
.50BMG GAU-19					●
7.62 MG-134			●	●	
M260 FFAR 2.75" 12-Rocket pods.		●			●
M260 FFAR 2.75" 7-Rocket pods.		●			●
AGM-114 Hellfire		●			●