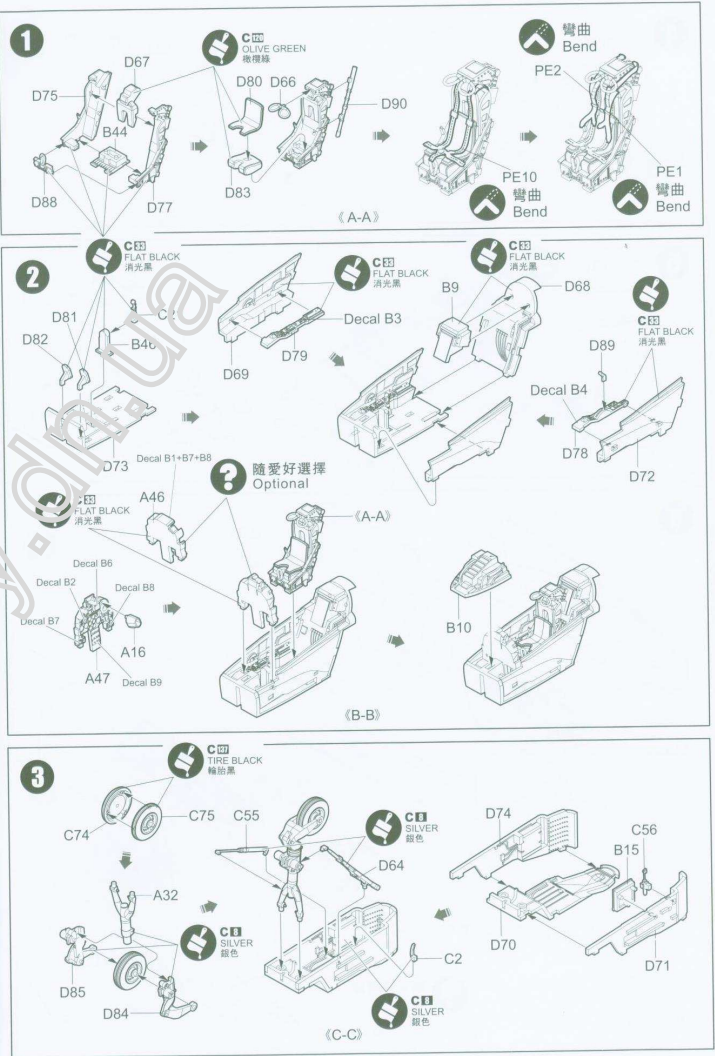
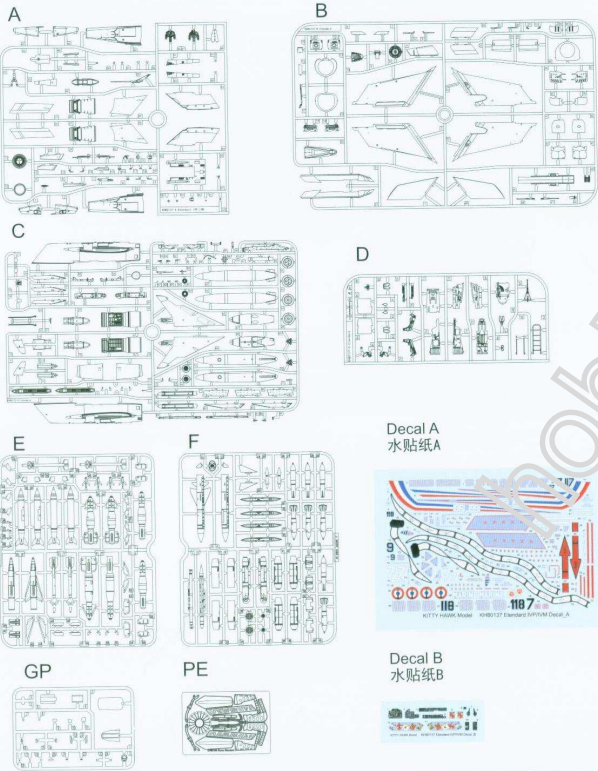


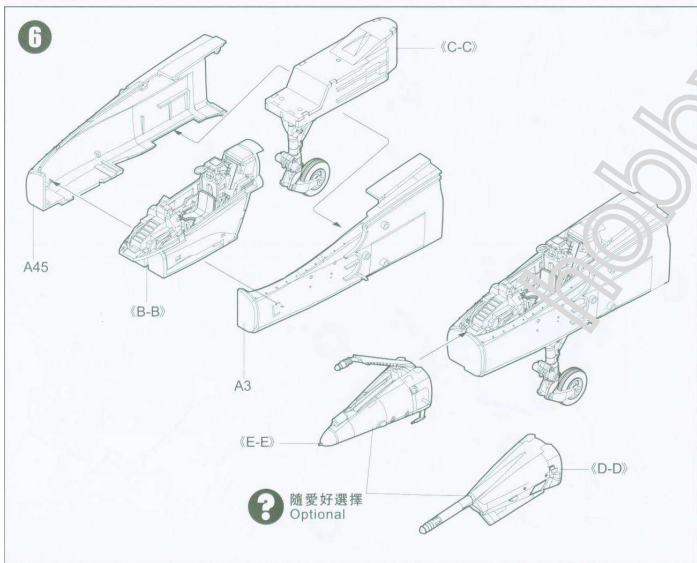
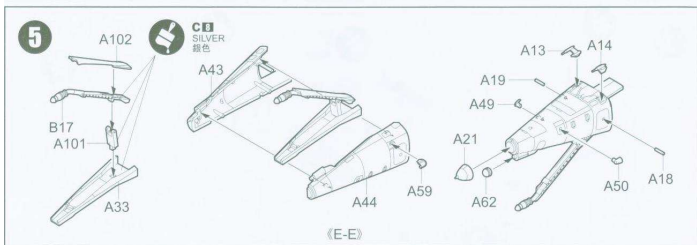
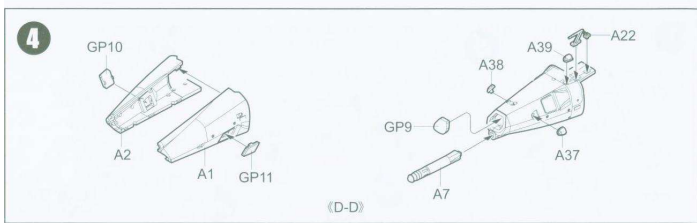
**READ BEFORE ASSEMBLY**

在組合您的模型之前，請充分閱讀本冊說明書。組合模型您需要如下物品（需另購）：模型膠水；一把模型鉗或一把用于將零件從框架上切下的模型筆刀。筆刀同樣可以用來修整零件的合模縫。祝您製作愉快！  
Before assembling your model kit, read through these instructions carefully. To assemble this kit, you will need Plastic glue (not include). A pair of side cutter or a sharp modelling knife is required for removing parts from the frame. Plastic mould lines can be removed with the modelling knife.

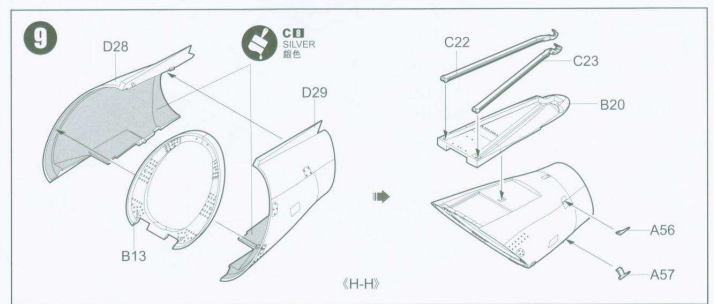
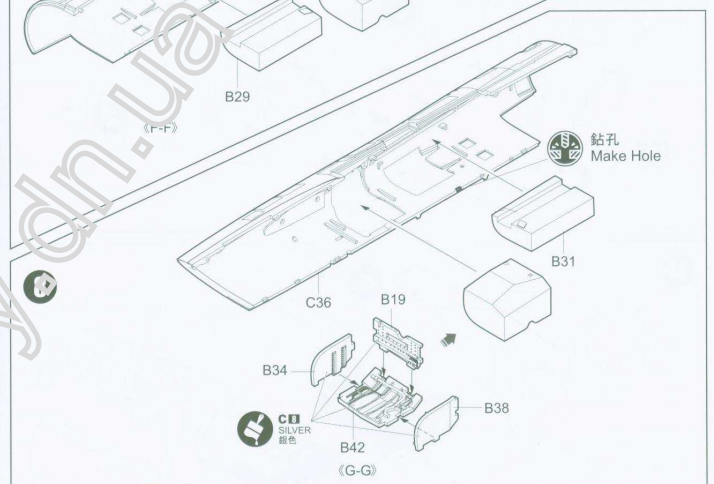
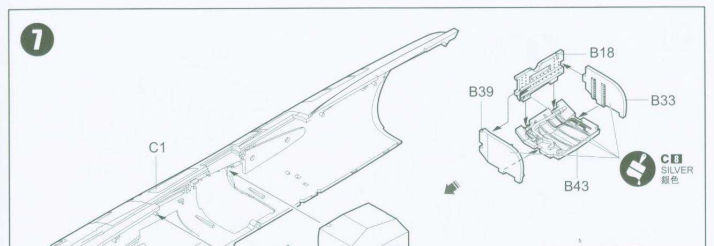
-  塗色  
Painting
-  鉆孔  
Make Hole
-  彎曲  
Bend
-  對側  
Opposite
-  隨愛好選擇  
Optional
-  制作兩組  
Make Two
-  組合完成  
Finished Assembly

**部品圖 Parts**

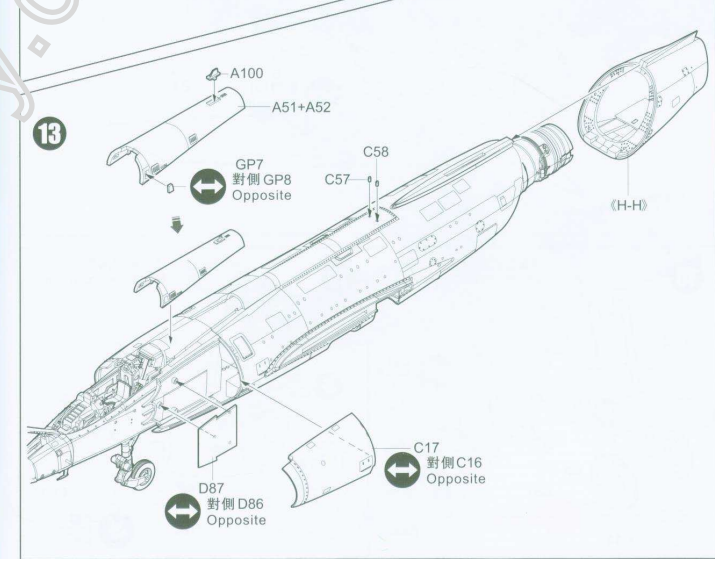
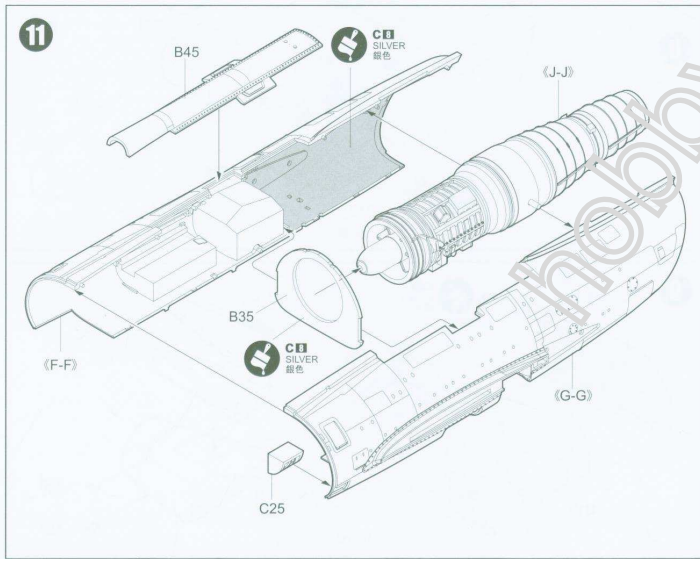
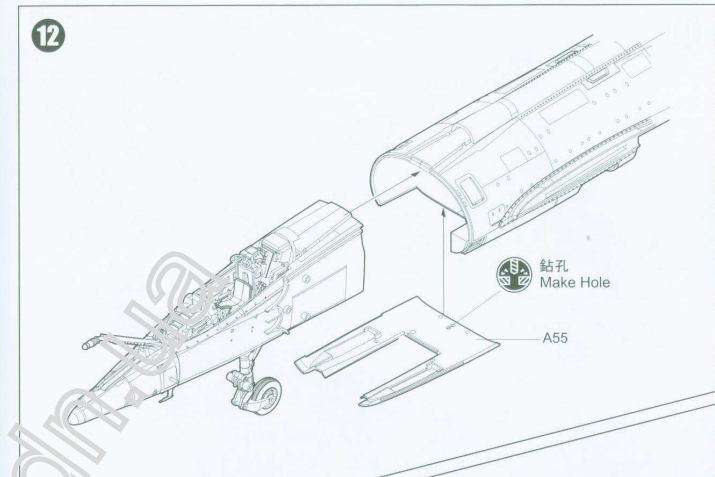
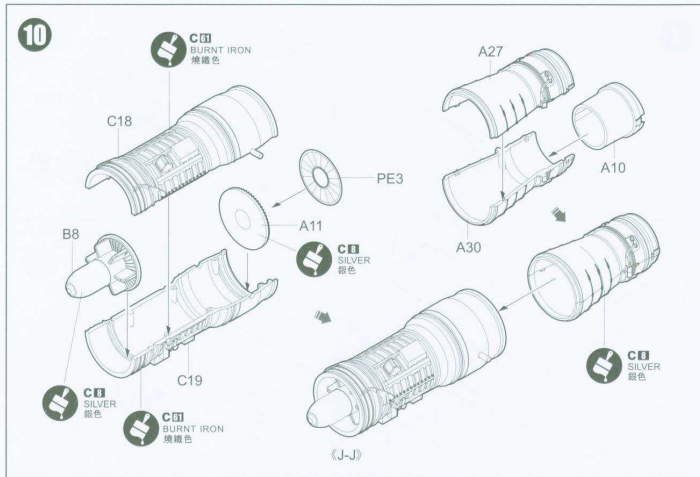




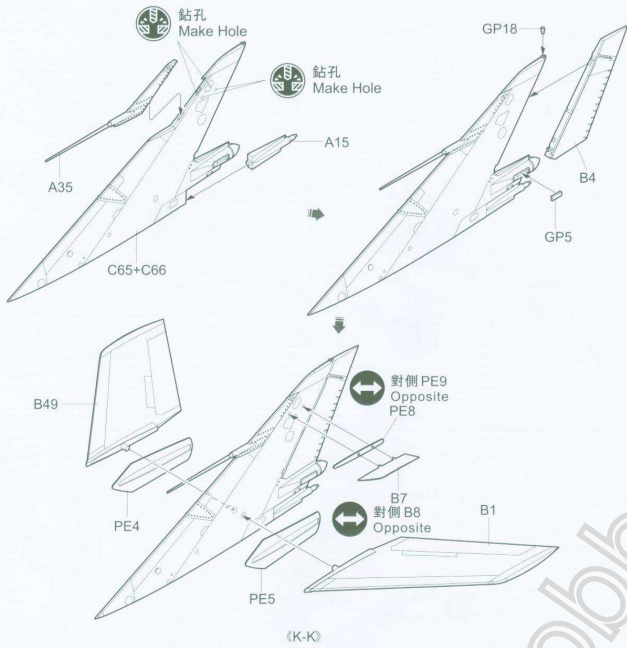
4



5

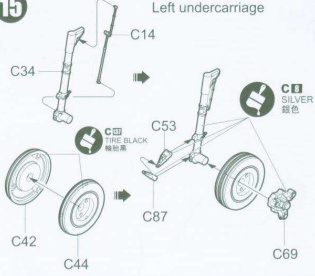


14



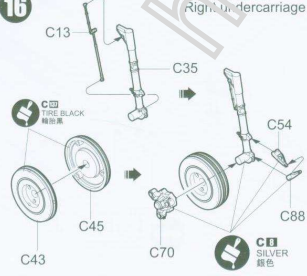
15

《左側起落架》  
Left undercarriage



16

《右側起落架》  
Right undercarriage



8

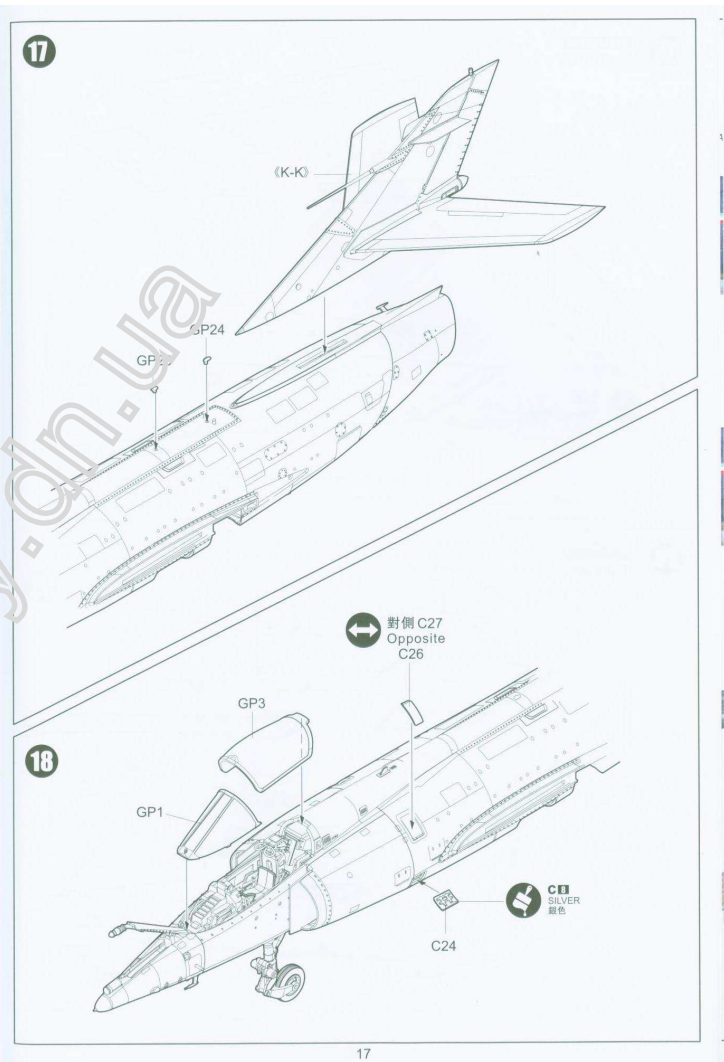
Painting & marking Guide

塗裝與水貼

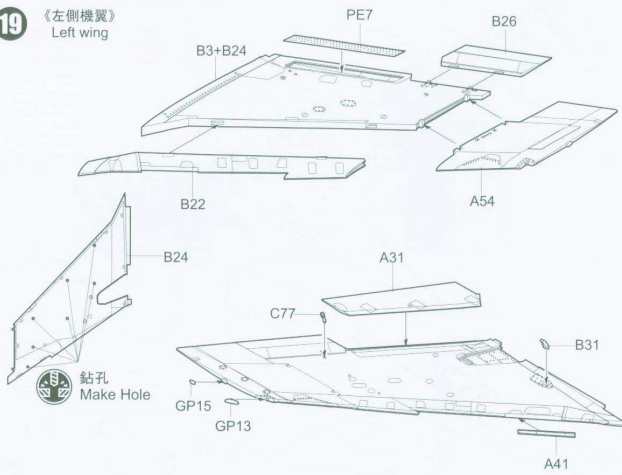
Dassault Etendard IVM, White 117 of Retirement Flotille 16F.



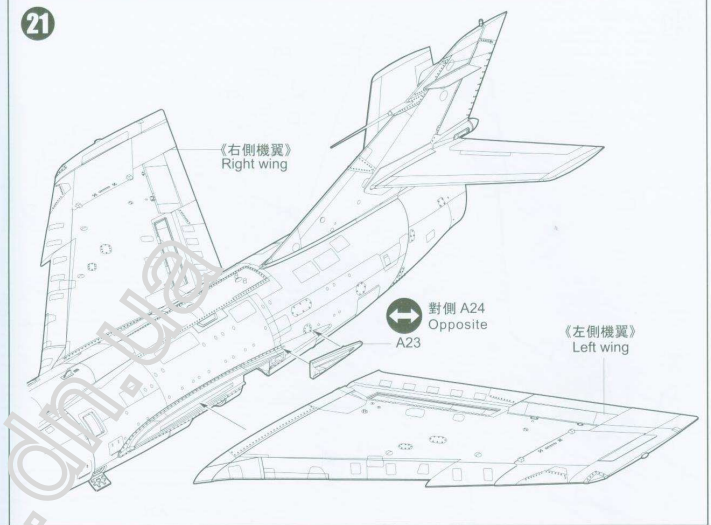
9



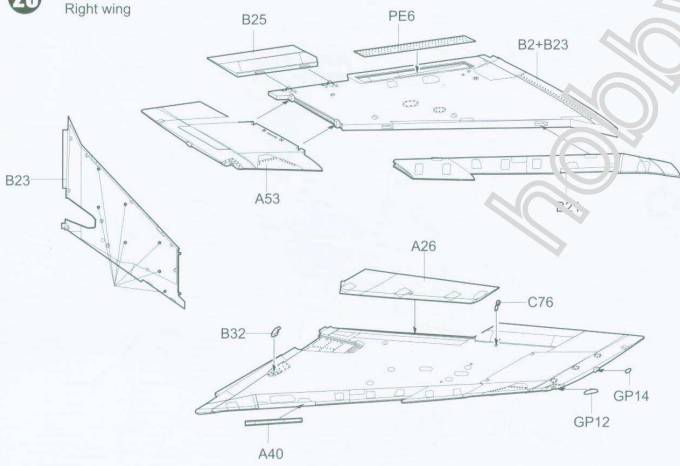
**19** 《左側機翼》  
Left wing



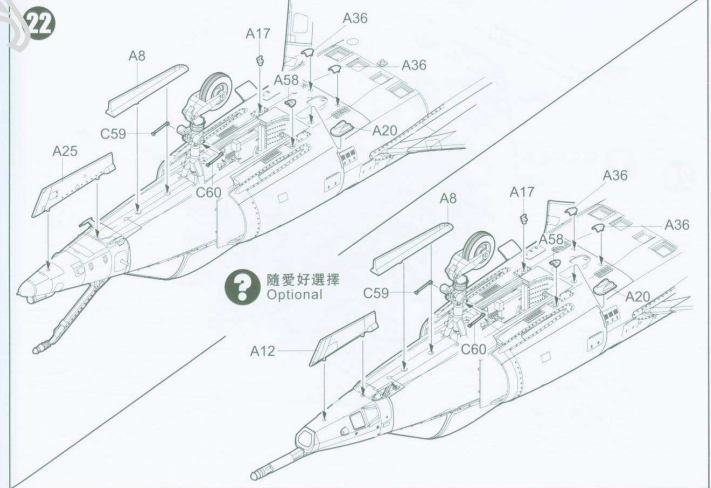
**21**

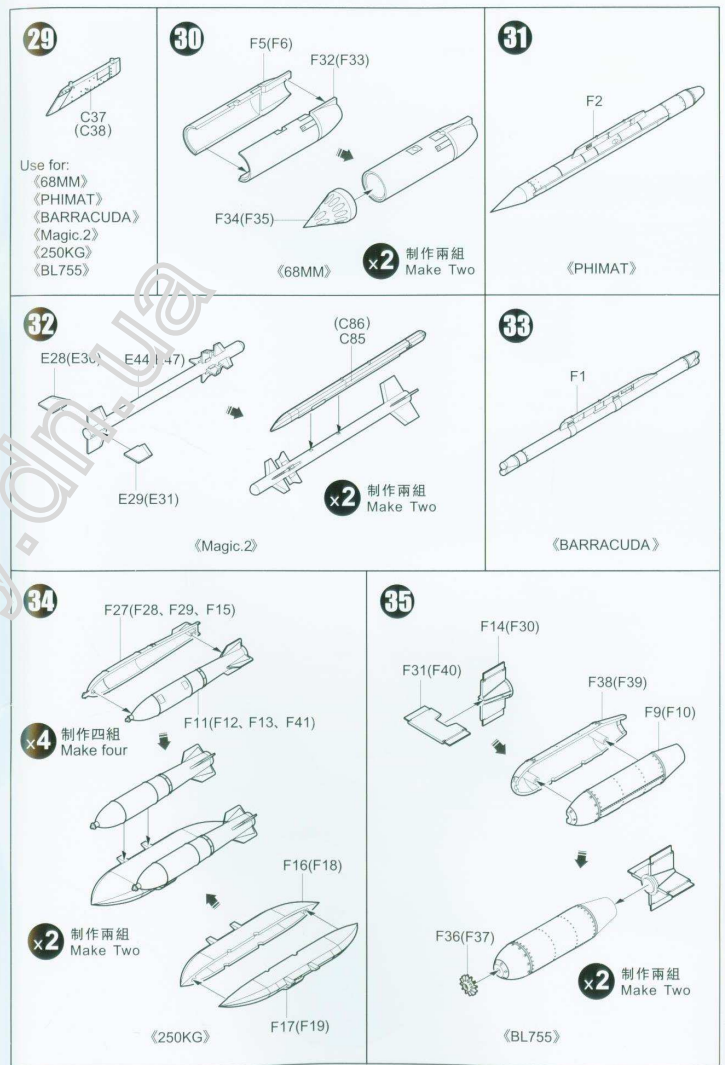
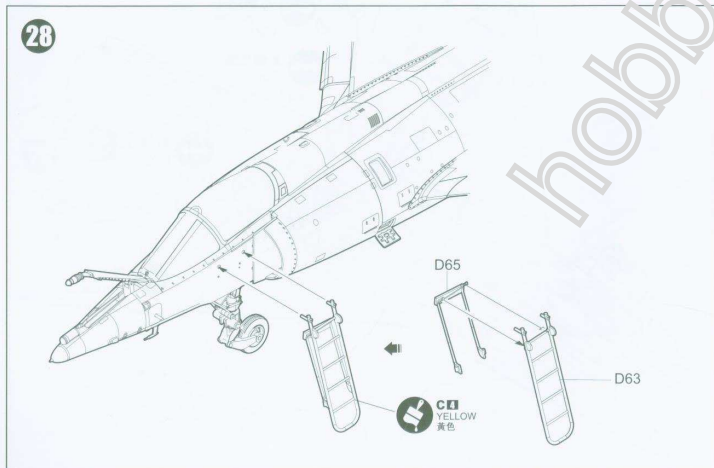
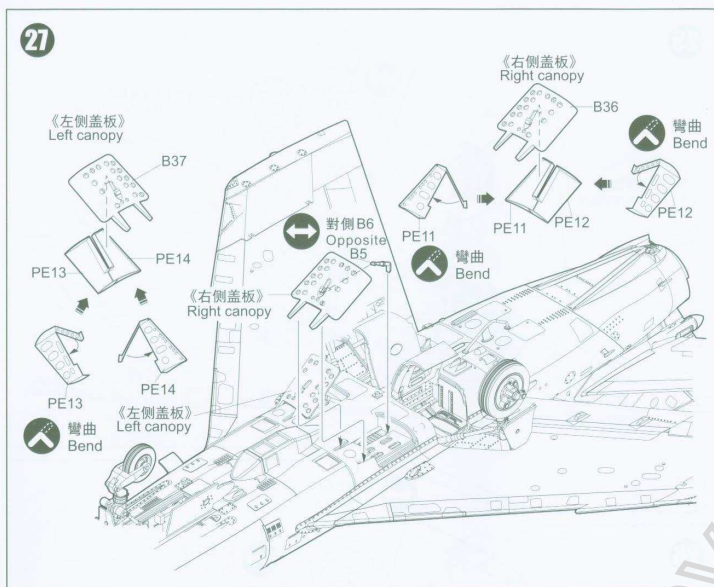


**20** 《右側機翼》  
Right wing



**22**





# Painting & marking Guide

塗裝與水貼

Dassault Etendard IVM - Retirement Escadrille 595 - NAS Hyères

20%  C11 BLUE 藍色 + 80%  C12 INTERMEDIATE BLUE 中藍

