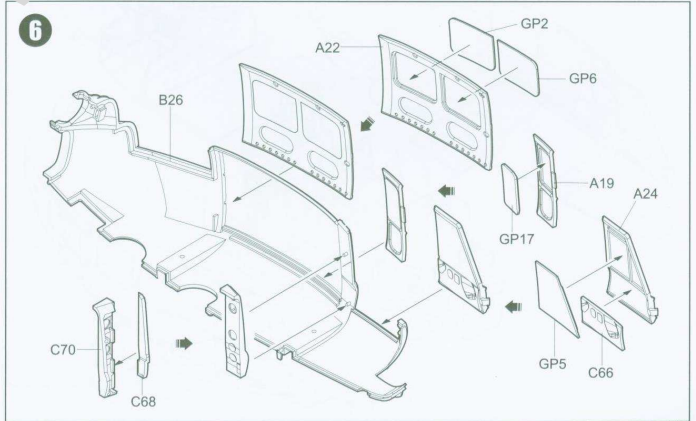
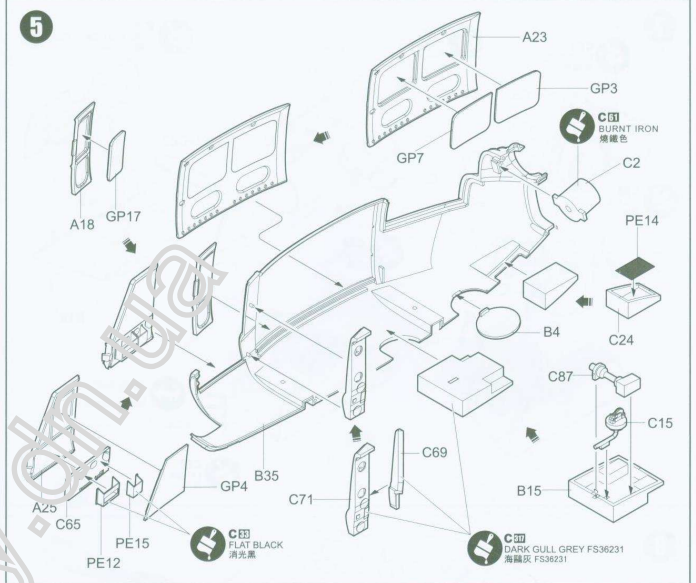
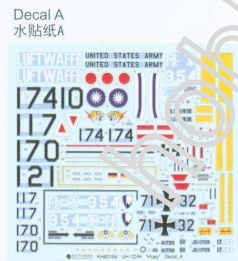
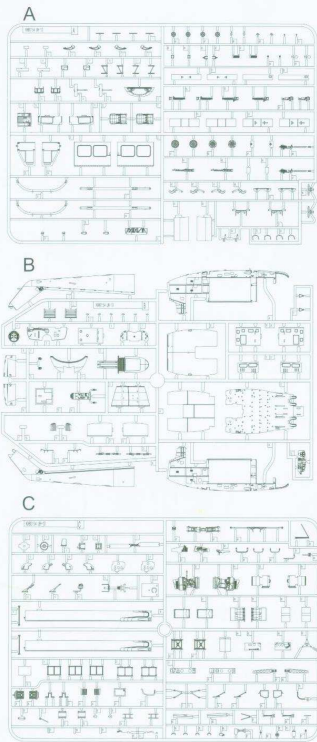


# READ BEFORE ASSEMBLY

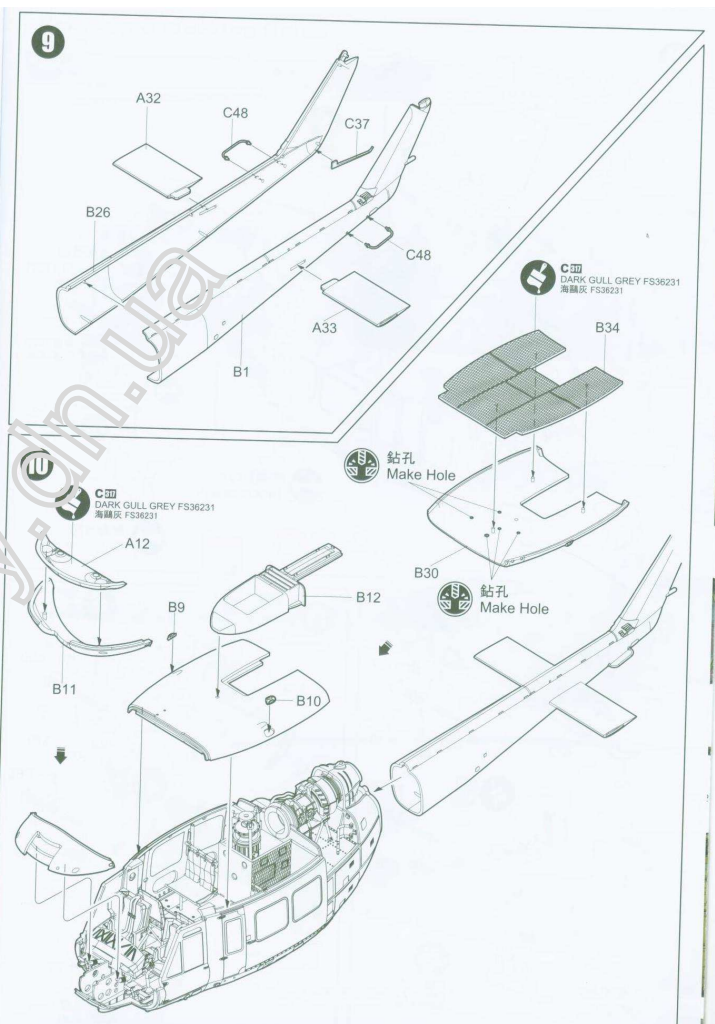
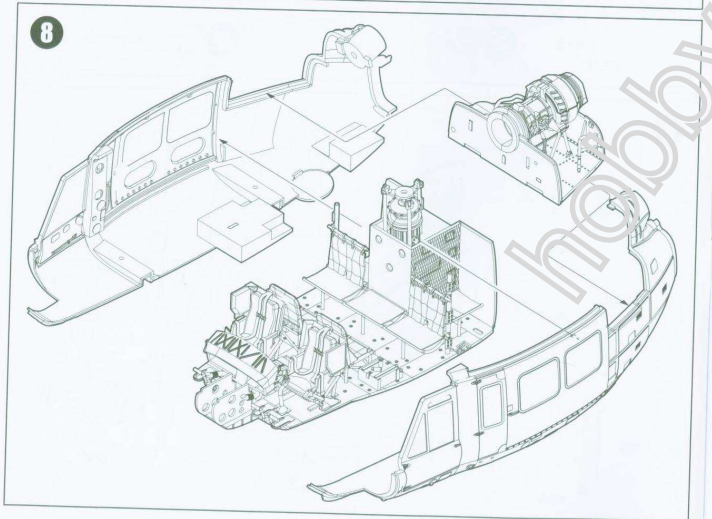
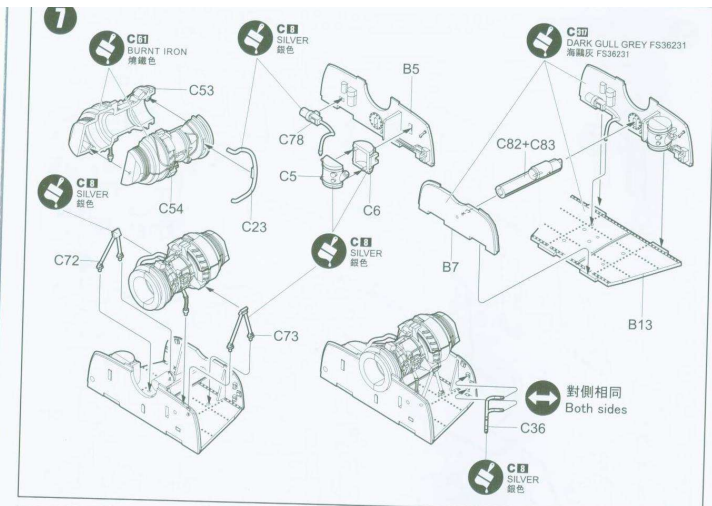
在組合您的模型之前，請充分閱讀本冊說明書。組合模型您需要如下物品（需另購）：模型膠水；一把模型鉗或一把用於將零件從框架上切下的模型筆刀。筆刀同樣可以用來修整零件的合模線。祝您製作愉快！  
Before assembling your model kit, read through these instructions carefully. To assemble this kit, you will need Plastic glue (not include). A pair of side cutter or a sharp modelling knife is required for removing parts from the frame. Plastic mould lines can be removed with the modelling knife.

- 塗色  
Painting
- 對側  
Opposite
- 隨意好選擇  
Optional
- 黏孔  
Make Hole
- 制作兩組  
Make Two
- 彎曲  
Bend

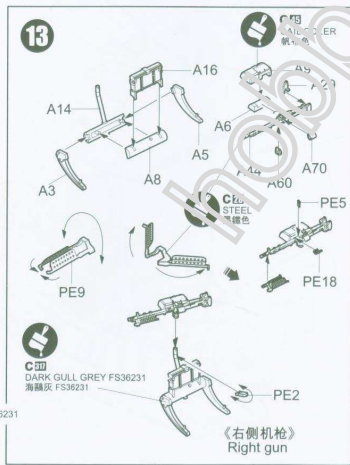
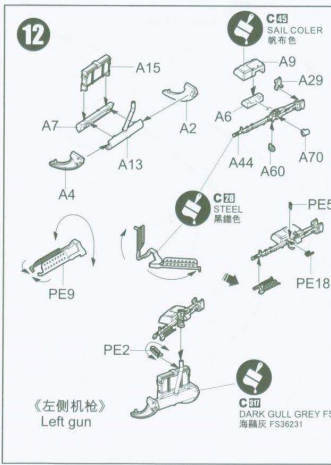
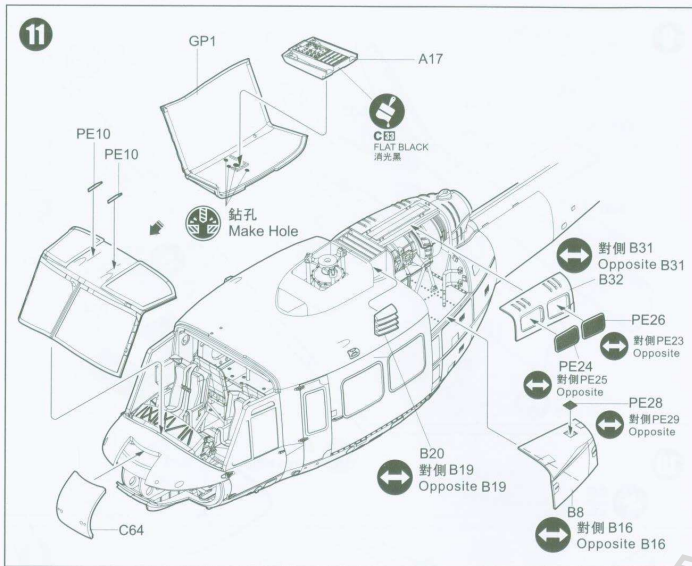
## 部品圖 Parts









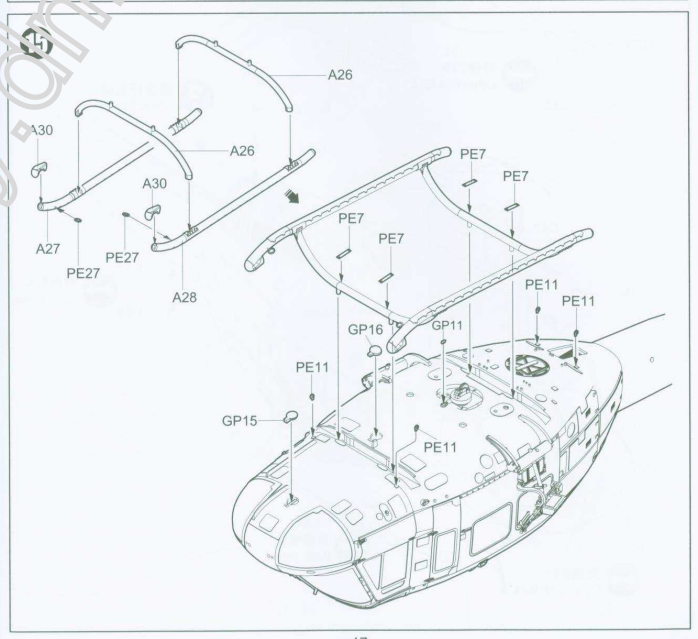
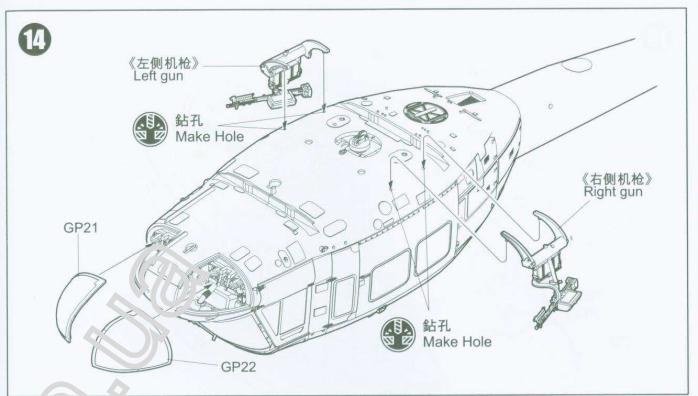


**Painting & marking Guide**

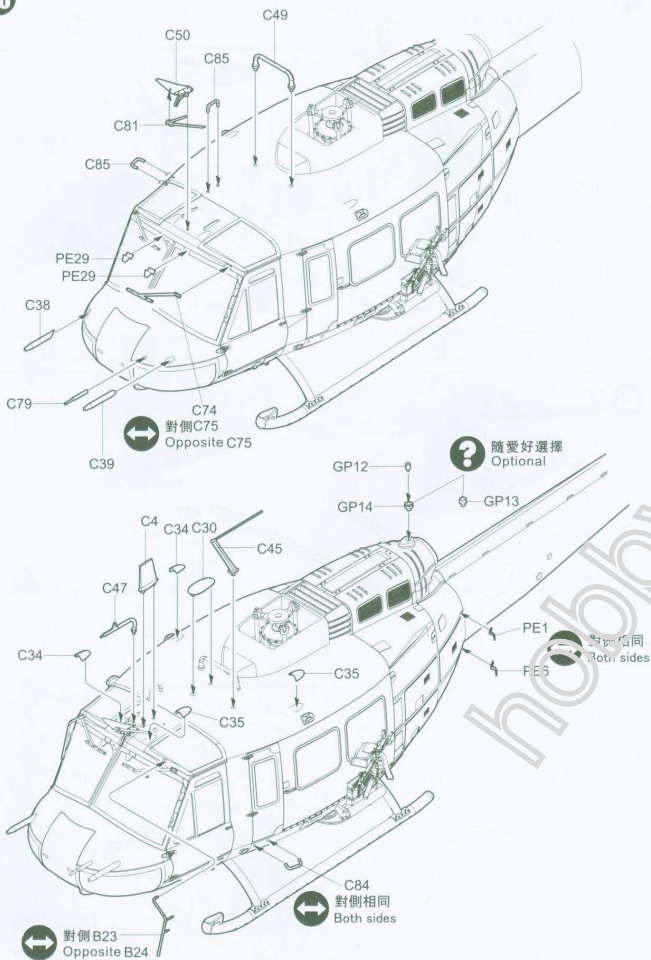
塗裝與水貼

UH-1D, 121st AHC

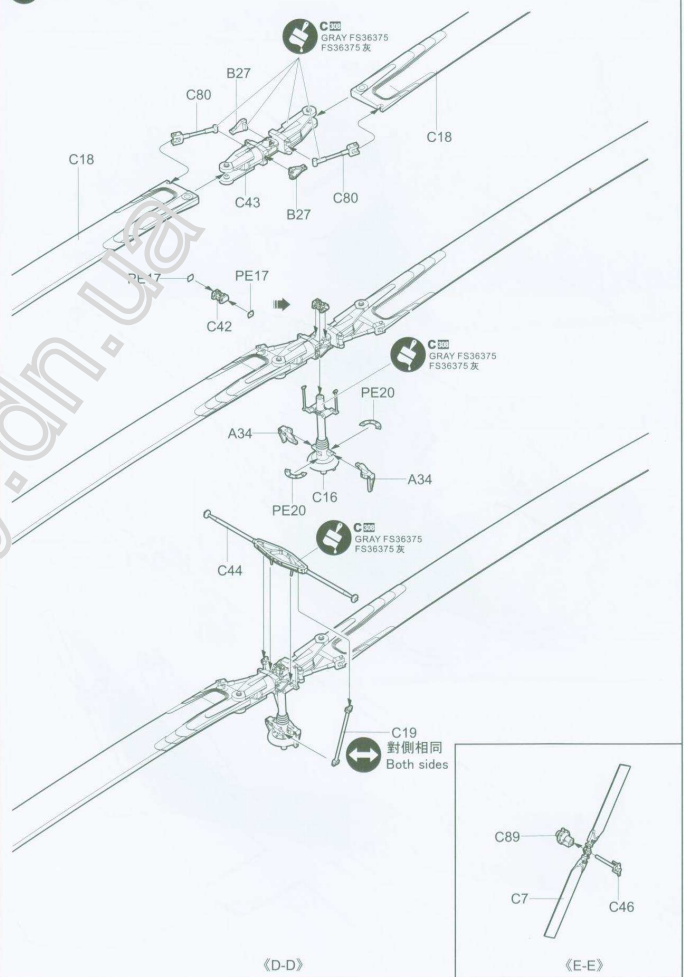




16



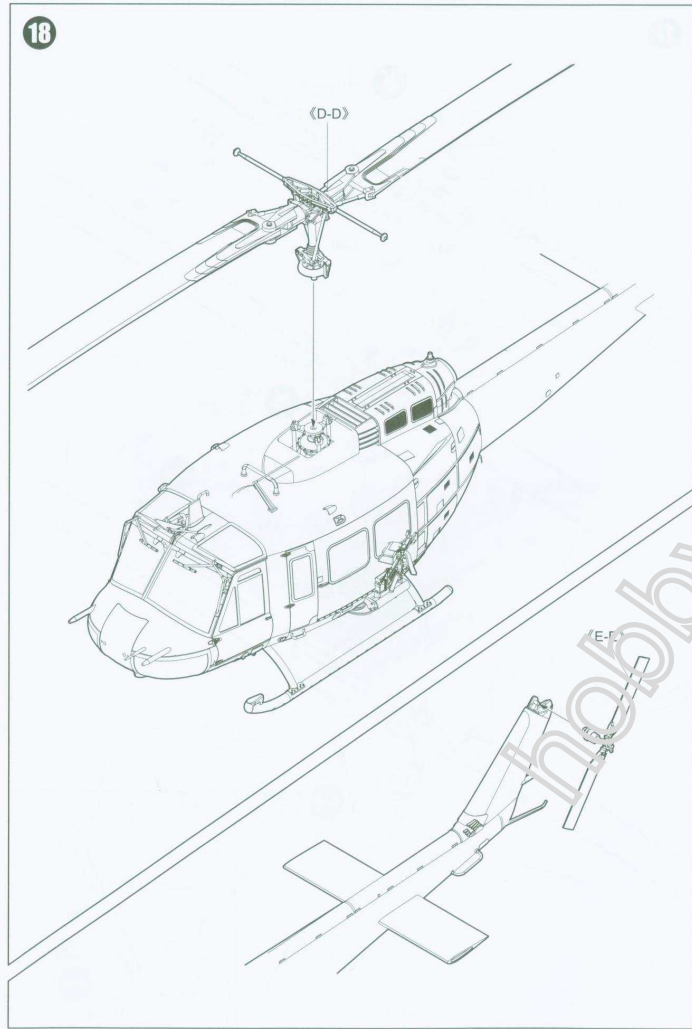
17



(D-D)

(E-E)

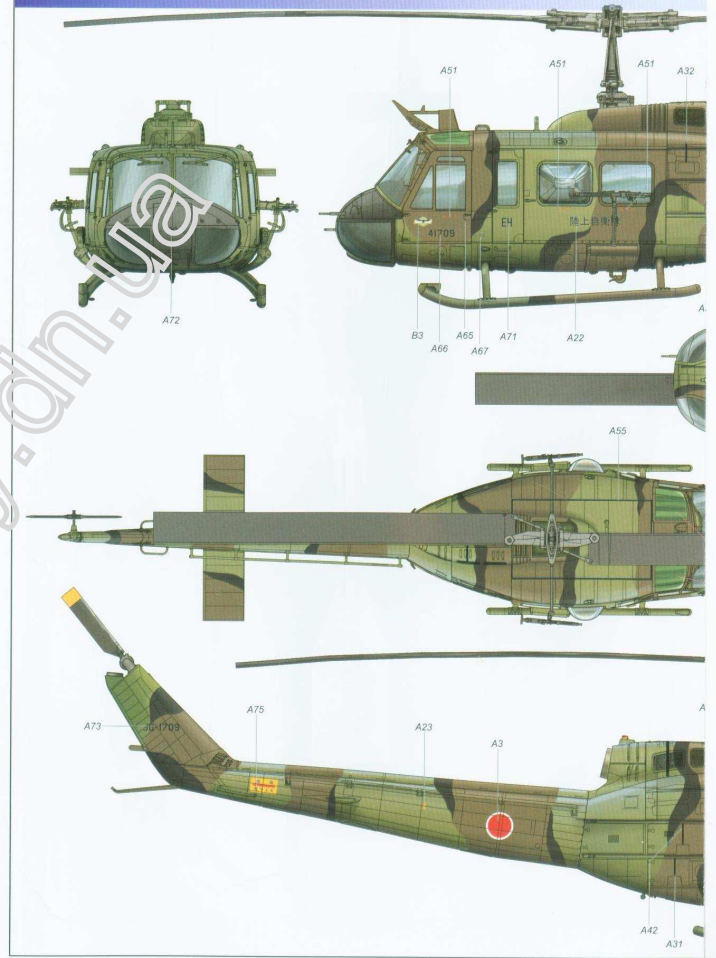




Painting & marking Guide

塗装與水貼

Japan Army, UH-1H Iroquois.



# Painting & marking Guide

塗裝與水貼

UH-1D, 117th AHC

