

Instruction

模型拼裝說明書

1:48 Scale



**KITTY
HAWK**

Russian weapon loading cart



俄罗斯武器装载车系列

KH80161

kittyhawkmodel@vip.sina.com
elitetorn@126.com

READ BEFORE ASSEMBLY

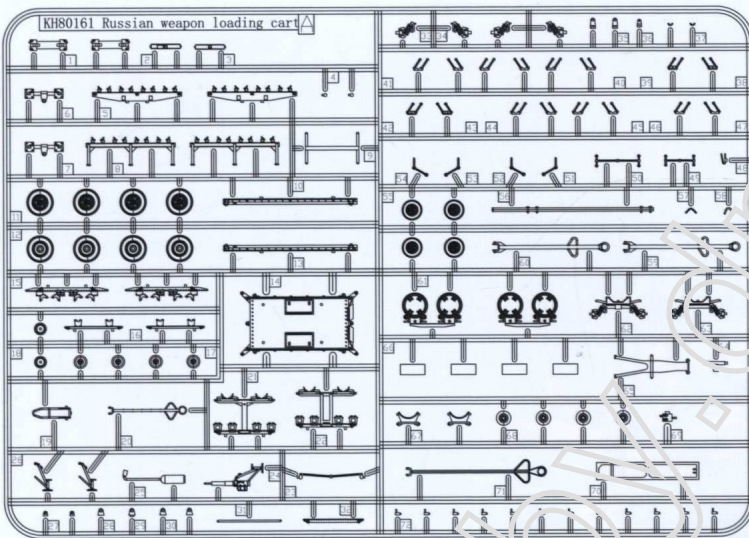
在組合您的模型之前，請充分閱讀本冊說明書。組合模型您需要如下物品（需另購）：模型膠水；一把模型鉗或一把用于將零件從框架上切下的模型筆刀。筆刀同樣可以用來修整零件的合模綫。祝您制作愉快！

Before assembling your model kit, read through these instructions carefully. To assemble this kit, you will need Plastic glue (not included). A pair of side cutter or a sharp modelling knife is required for removing parts from the frame. Plastic mold lines can be removed with the modelling knife.

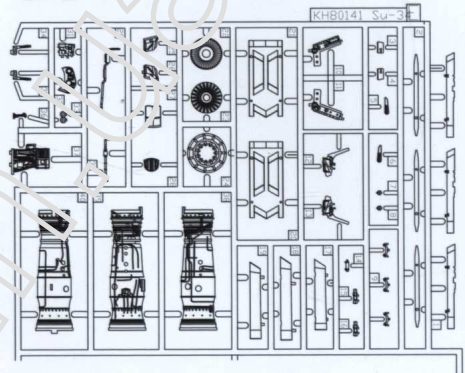
-  **請注意**
Special instructions
-  **隨愛好選擇**
Optional
-  **組合完成**
Finished Assembly
-  **彎曲**
Bend
-  **制作四組**
Make four
-  **鉗孔**
Make Hole
-  **塗色**
Painting
-  **無需膠粘**
Do Not Cement
-  **對側**
Opposite
-  **對側相同**
Both sides

部品图 Part

A×2



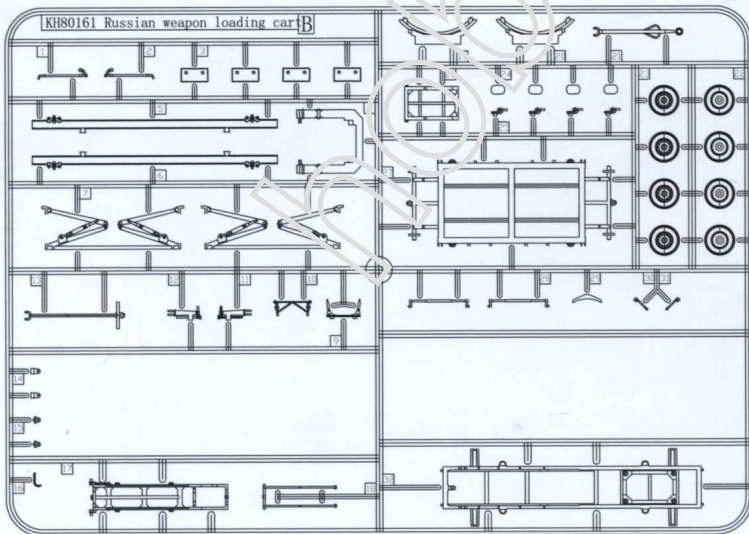
E×2



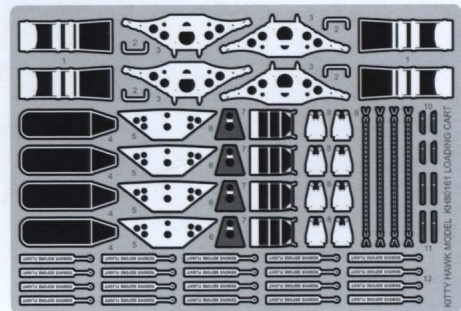
《水贴纸》
Decal

1234567890
1234567890
1234567890
1234567890
KH80161 Russian Loading Car

B×2

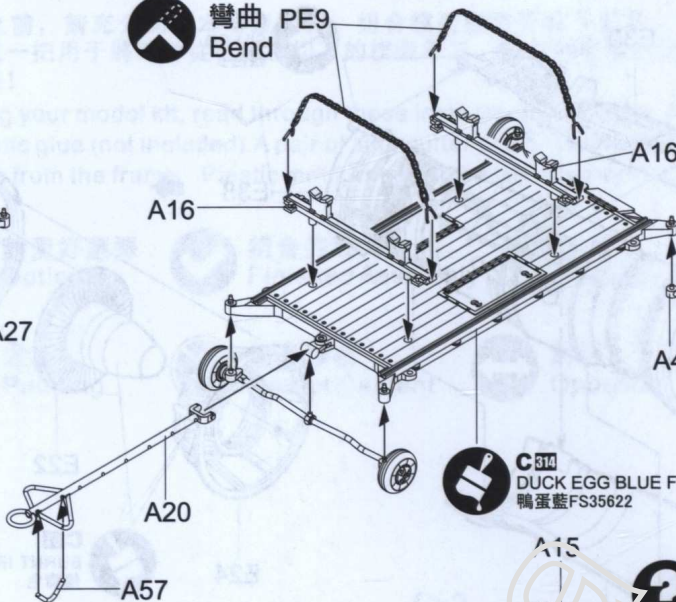
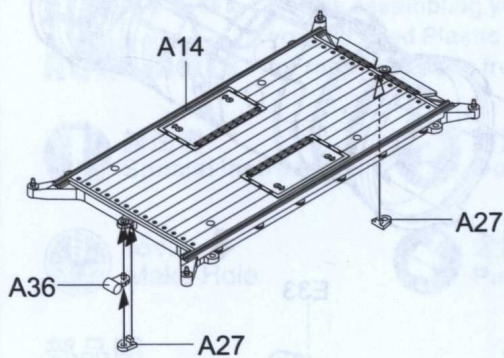


《蚀刻片》
PE



4

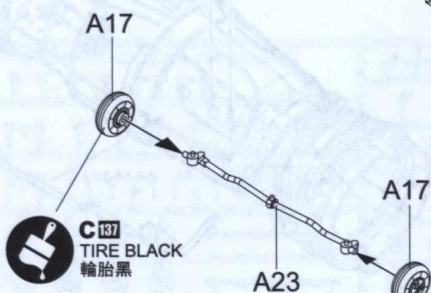
彎曲 PE9
Bend



C137
TIRE BLACK
輪胎黑

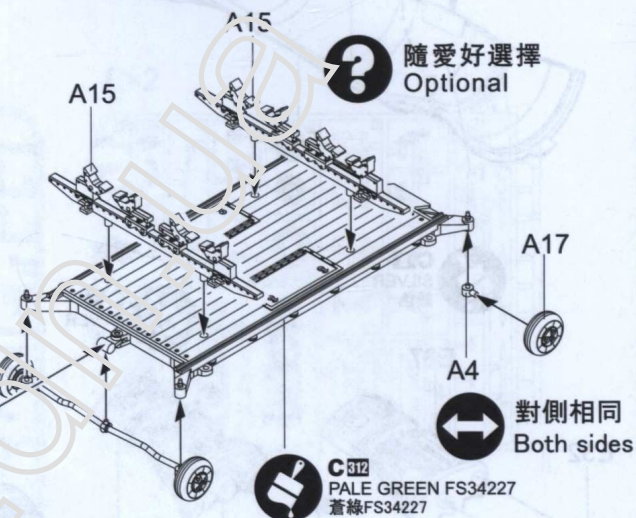
對側相同
Both sides

C314
DUCK EGG BLUE FS35622
鴨蛋藍FS35622



C137
TIRE BLACK
輪胎黑

C137
TIRE BLACK
輪胎黑



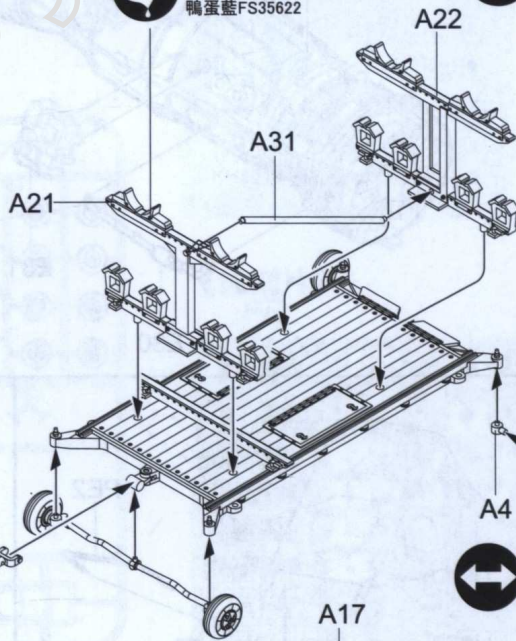
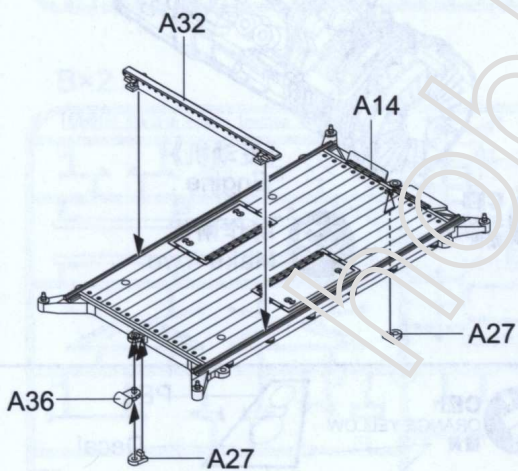
隨愛好選擇
Optional

對側相同
Both sides

C312
PALE GREEN FS34227
蒼綠FS34227

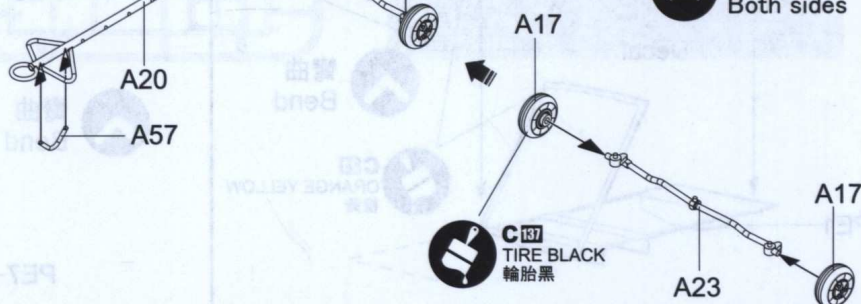
C314
DUCK EGG BLUE FS35622
鴨蛋藍FS35622

隨愛好選擇
Optional

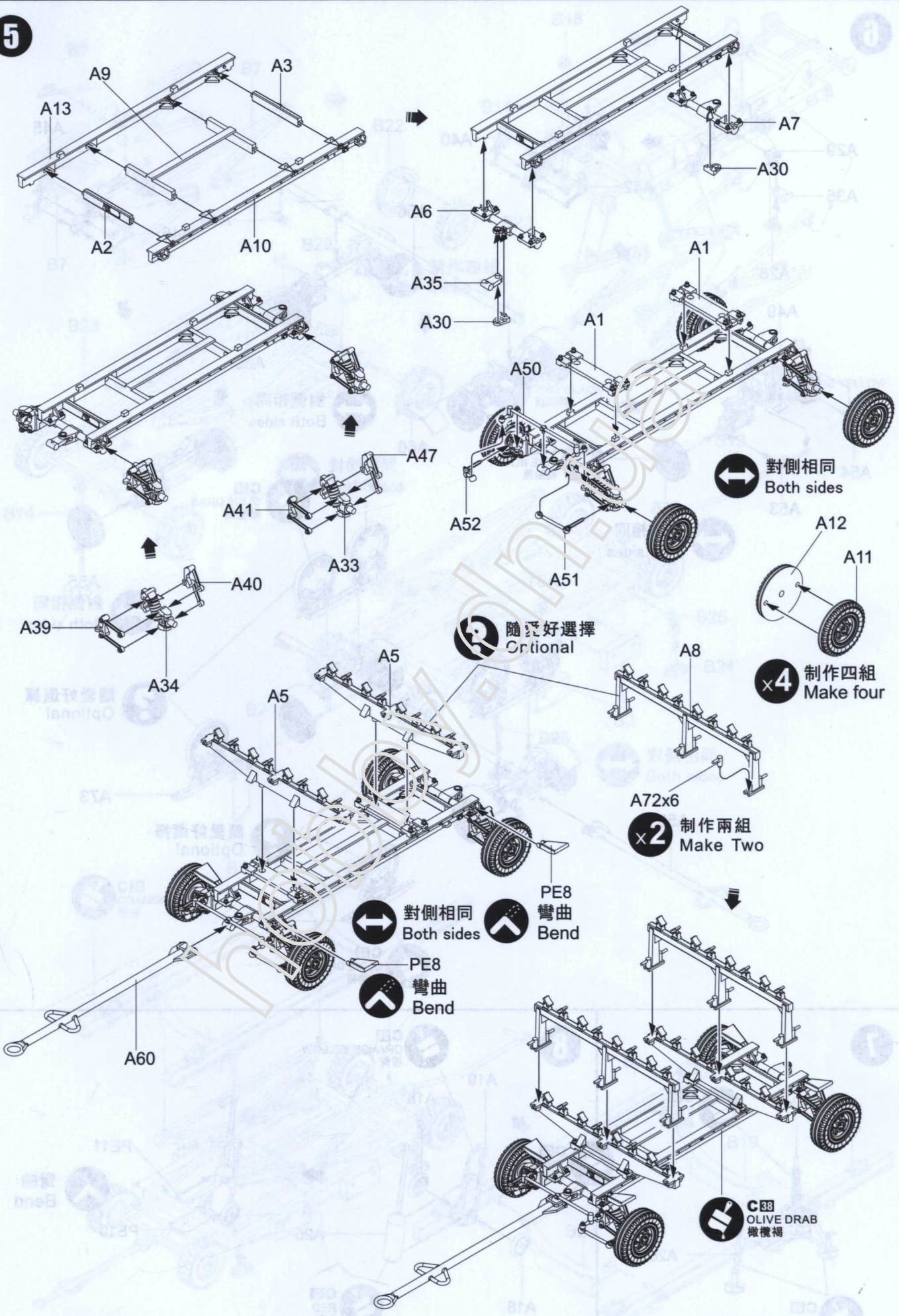


對側相同
Both sides

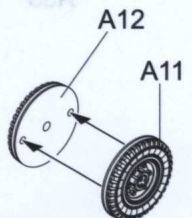
C137
TIRE BLACK
輪胎黑



5



↔ 對側相同
Both sides



×4 制作四組
Make four

🔧 隨意好選擇
Optional

A72x6
×2 制作兩組
Make Two

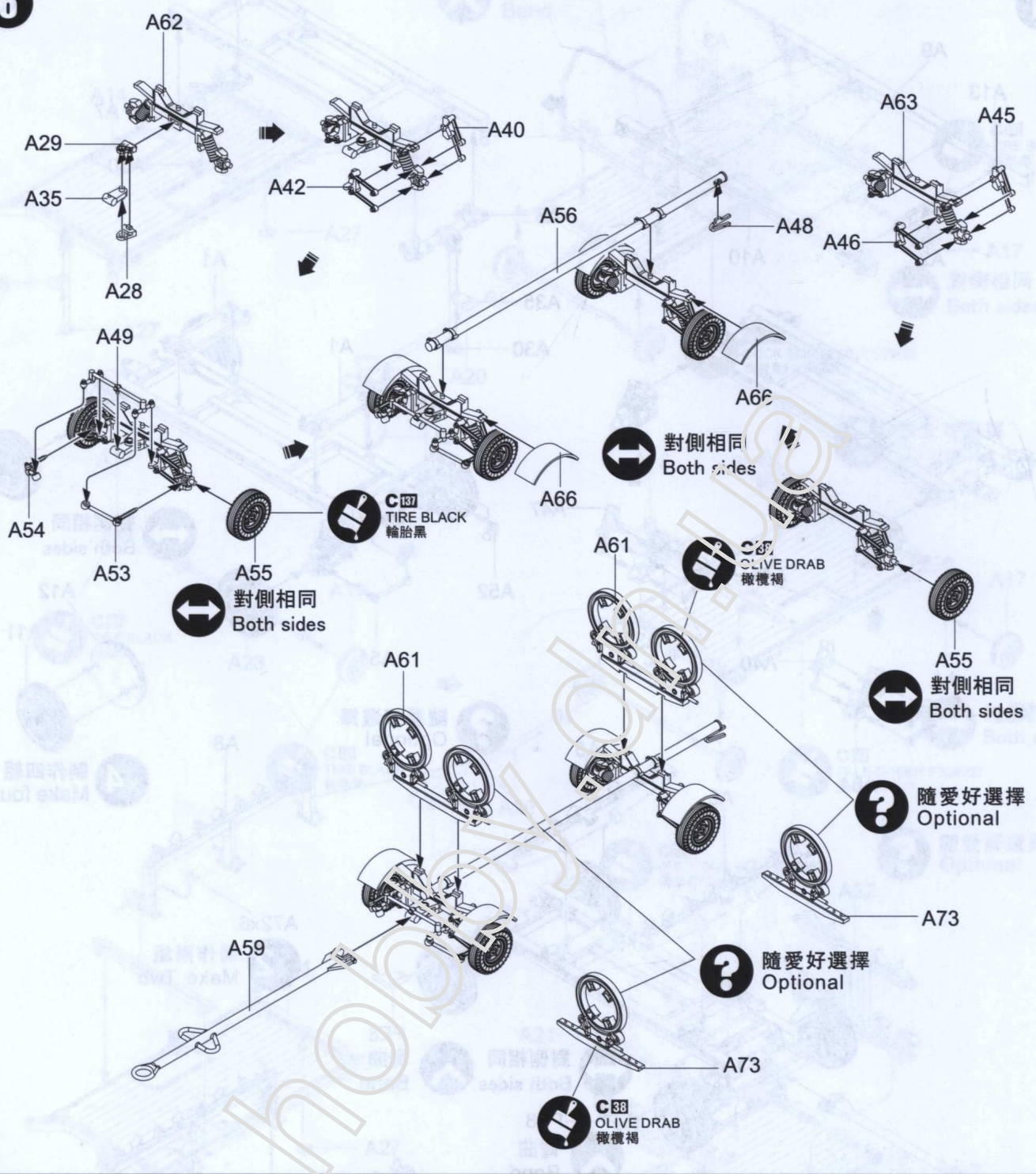
↔ 對側相同
Both sides

↗ PE8
彎曲
Bend

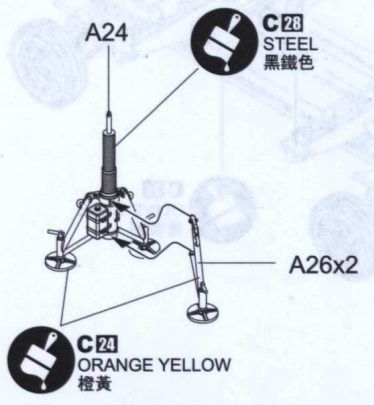
↗ PE8
彎曲
Bend

🔧 C38
OLIVE DRAB
橄欖褐

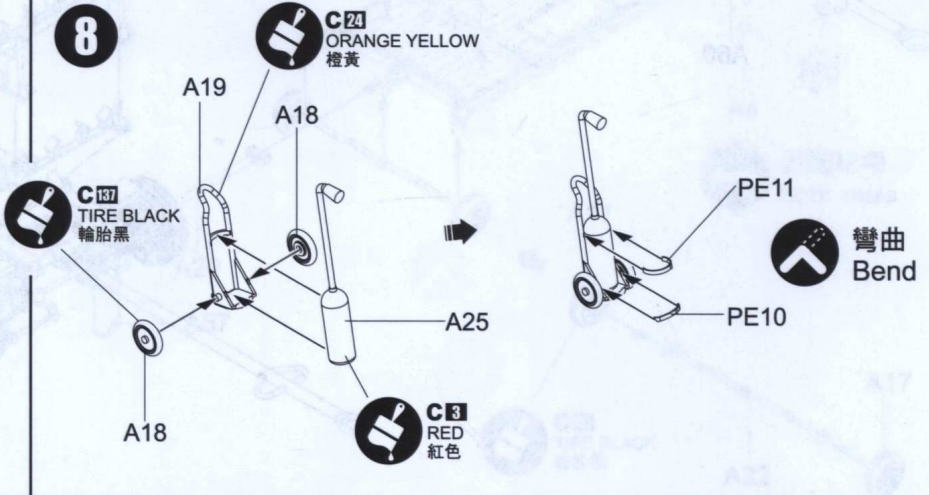
6



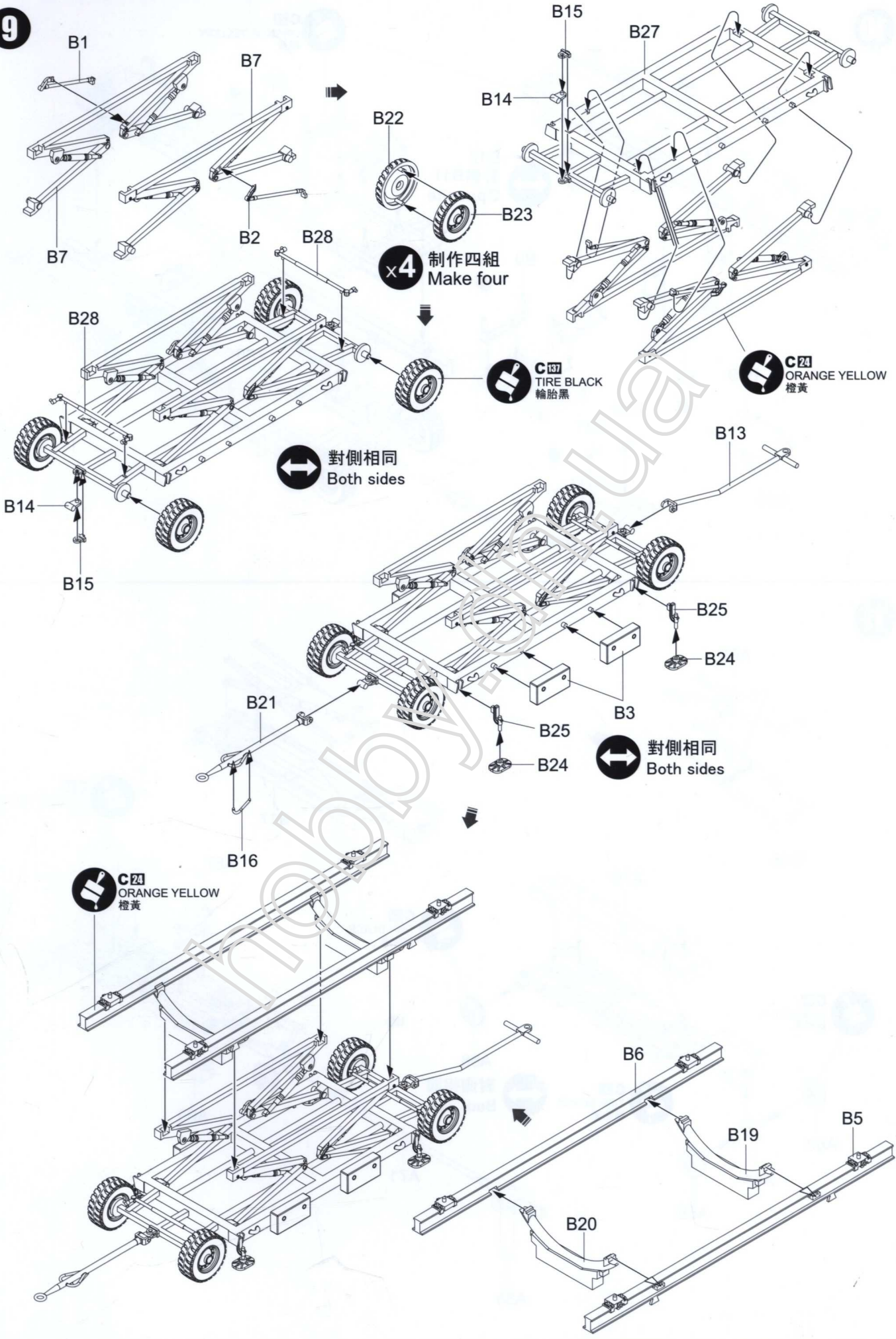
7



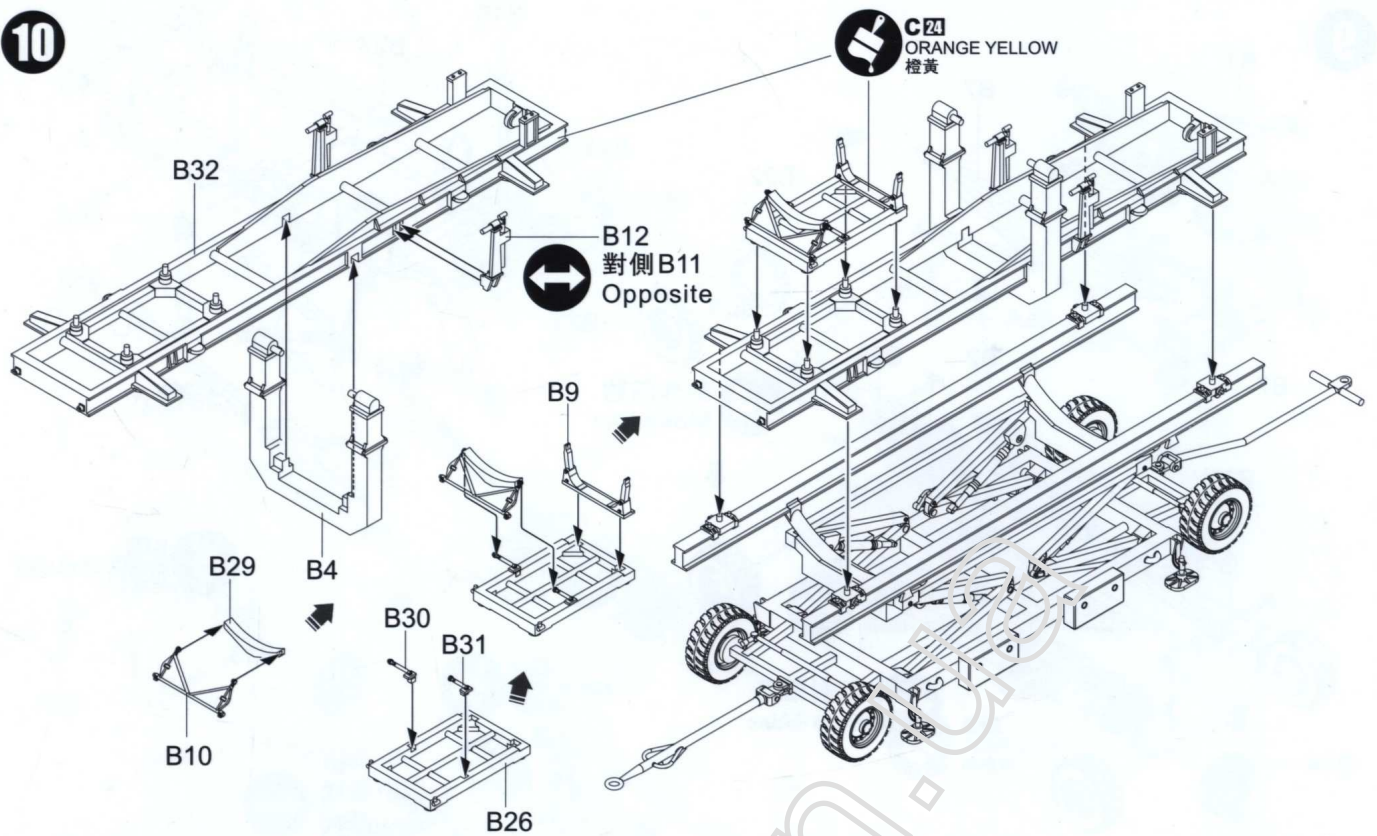
8



9



10



11

