

歼-20



Q-MEN 2019

MIGHTY DRAGON

尺寸: 107X102X74mm

Dimension: 107 X102 X74 mm

零件数: 26+15个

Number Of Parts: 26+15 PCS

免胶快速拼装

Glue-free Quick Assembly

附赠中国空军飞行员玩偶

PLAAF Pilot Figure Is Included

可选择两种涂装

Two Schemes Are Available



J-20 is a stealth fifth generation air fighter developed by AVIC Chengdu Aircraft Industry Group Co., Ltd. with high stealth, high situational awareness, high mobility and other capabilities. It is a representative of China's modern air force, and has entered the world's most advanced fifth generation fighter row. It is a symbol of China's rapid development of national defense capabilities.

歼-20是中航工业成都飞机工业集团公司研制的一款具备高隐身性、高态势感知、高机动性等能力的隐形第五代制空战斗机，是中国现代空中力量的代表作，也进入了世界最先进的第五代战斗机行列，它是中国国防能力高速发展的一个象征。



14+

ITEM NO. 01001

CAUTION

Make sure to read instructions listed below before assembling:

1. Please read the illustration first, grasp the whole order before assembling.
2. Please use the specialized plastic tools such as super glue and coating, and keep away from the fire.
3. Throw away the plastic bags as children may be suffocated by swallowing or wearing over head.
4. Some parts are too sharp, please keep away from children and avoid contacting.

组装前请务必阅读下面列出的说明:

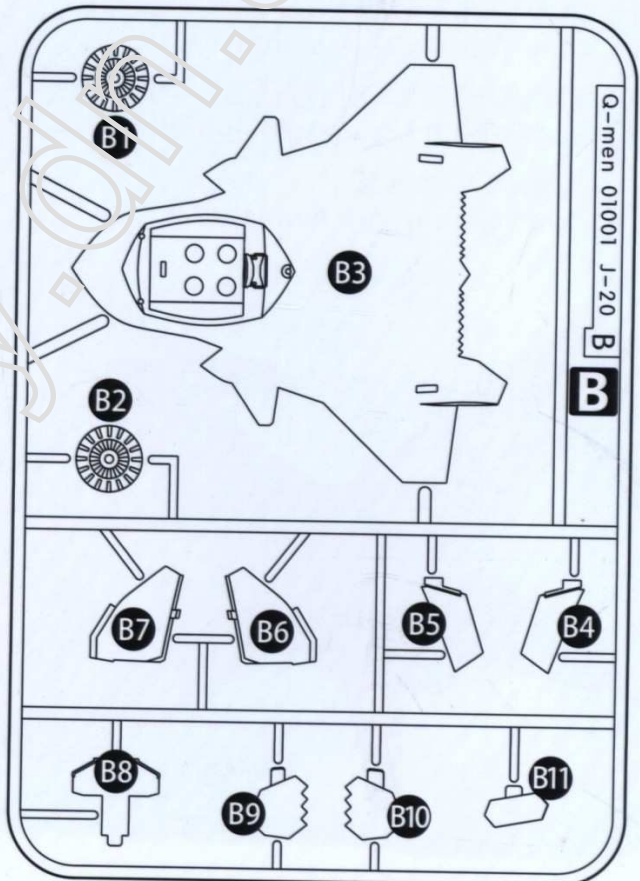
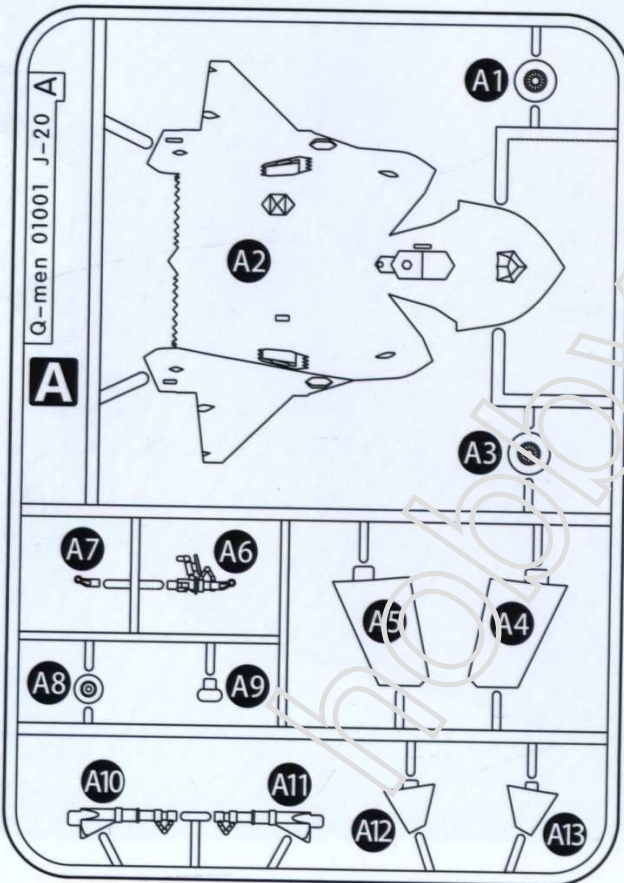
1. 组装前请先看说明图示, 把握整体顺序后再进入组装。
2. 请使用强力胶、涂料等塑胶专用工具, 远离火源。
3. 撕开并扔掉装零件的塑料包装袋, 避免儿童可能会因吞咽或戴在头上造成的窒息。
4. 有些零件过于锋利, 请远离儿童, 避免其接触。



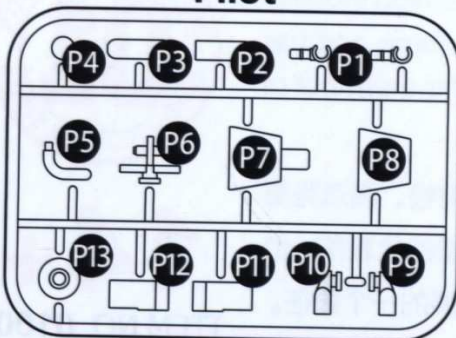
注意
Be Careful



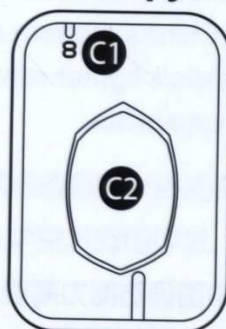
贴上贴纸
Apply Decal



Pilot



Canopy



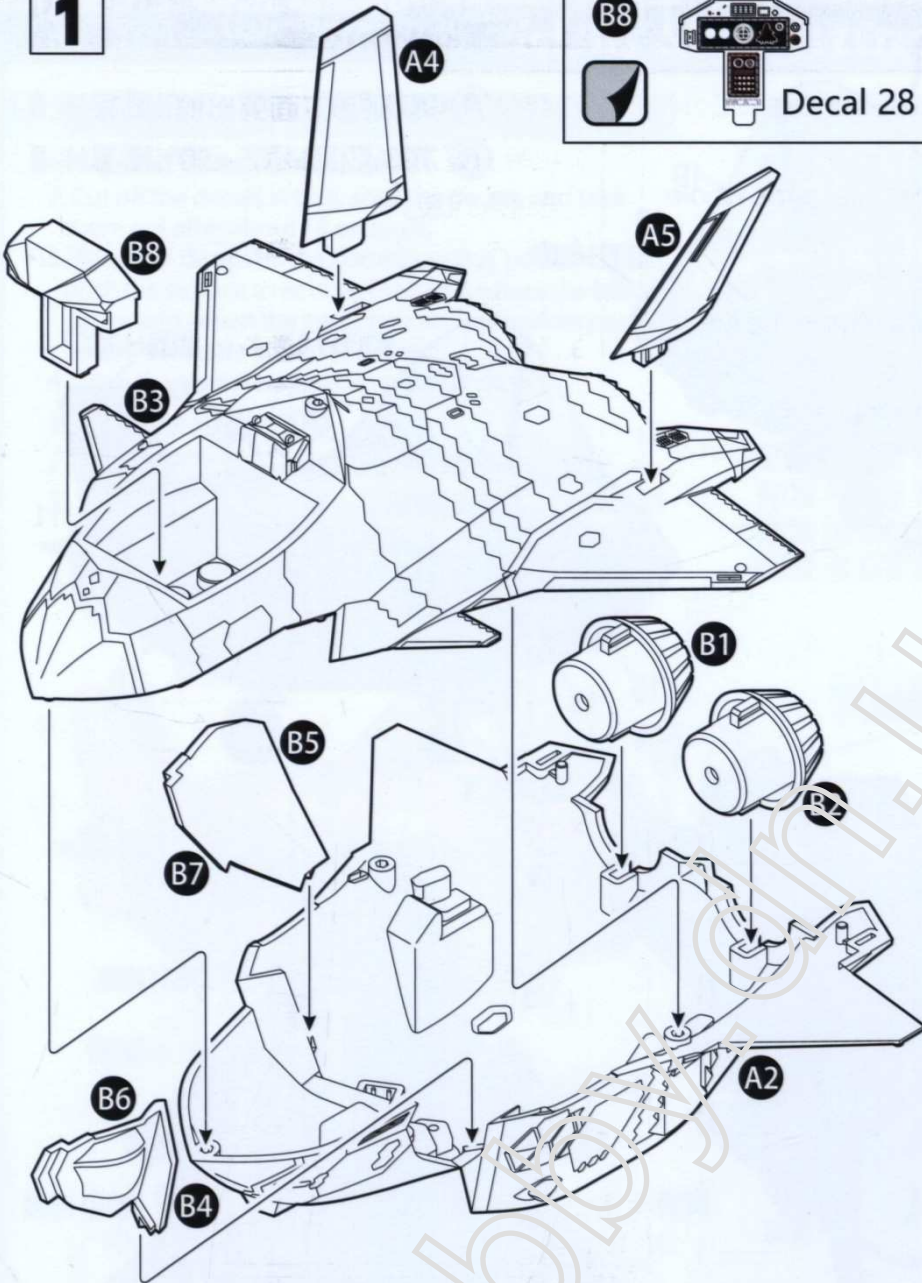
Head



Decal



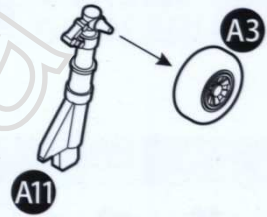
1



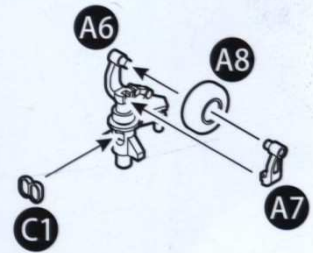
3



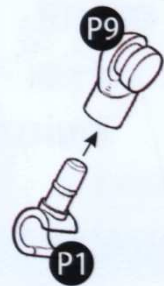
4



5



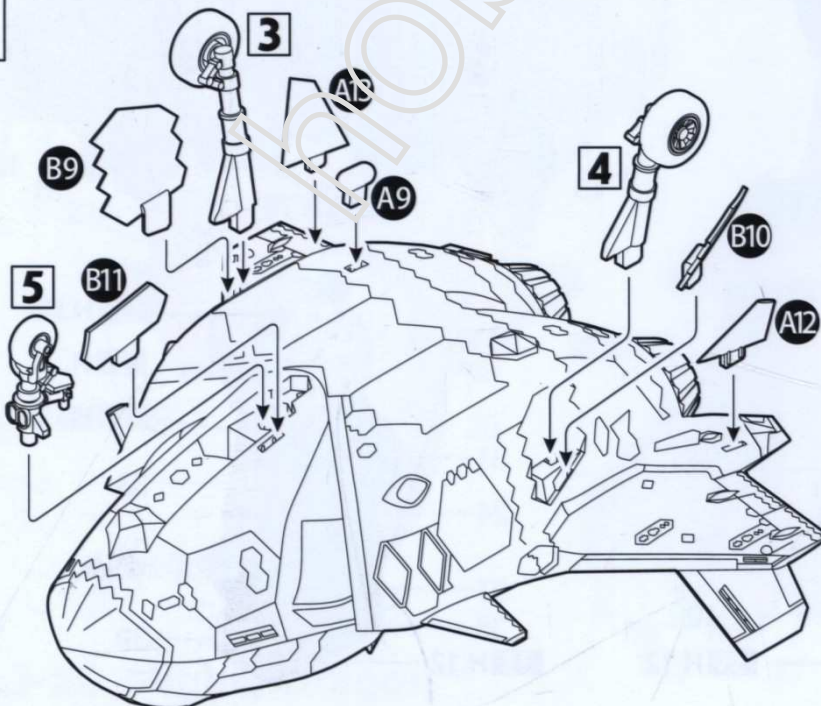
6



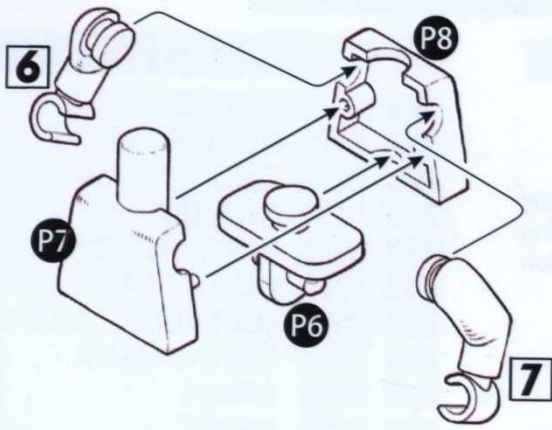
7



2



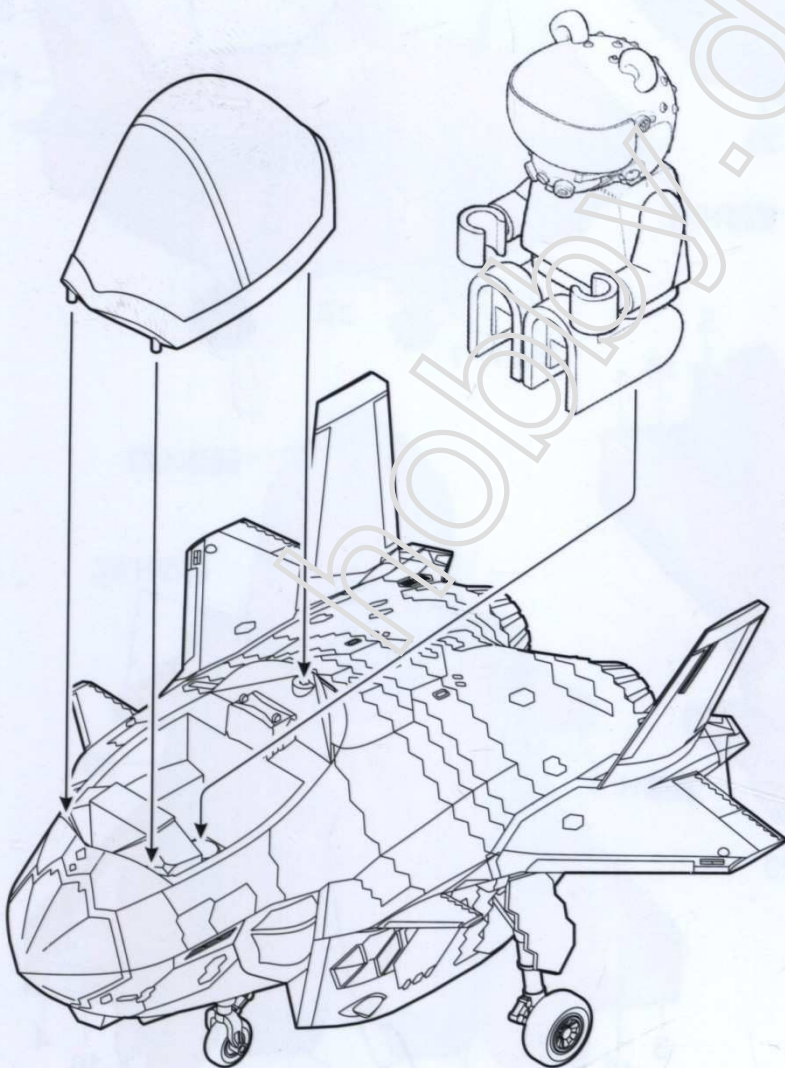
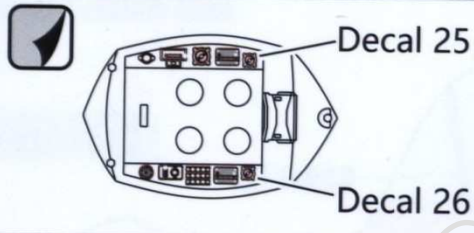
8



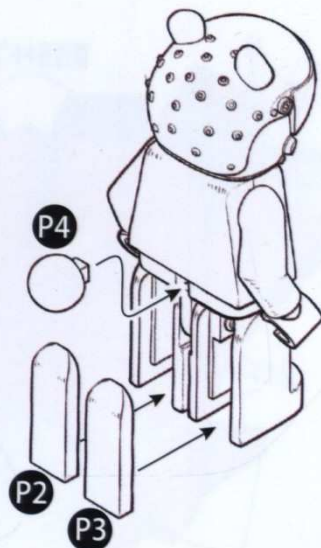
9



10



11



坐姿飞行员无需安装
P2-P4

Sitting pilot doesn't need
to install P2-P5

Marking & Painting

水贴使用说明

1. Wipe the surface of the model.
2. Cut off the decals in turn, soak the decals, and take them out after about 15 seconds.
3. Place the decals in the corresponding position, gently push the surface to remove the pattern from the backing paper, and adjust the pattern to an appropriate position before the water is dry.
4. Wipe the excess water stain and then finish!

1. 将模型表面擦拭干净
2. 将贴纸依次剪下，泡湿贴纸，约15秒后取出
3. 将贴纸放在相应位置，轻推贴纸表面，使图案脱离底纸，在水干之前将图案调整至适当位置
4. 擦拭多余水渍，完成！

Color Guide

1	H 1	WHITE	光泽白
2	H 2	BLACK	光泽黑
3	H 3	RED	光泽红
8	H 8	SILVER	银
33	H 12	FLAT BLACK	消光黑
61	H 76	BURNT IRON	烧铁色
75	H 87	METALLIC RED	金属红
137	H 77	TIRE BLACK	轮胎黑
305	H 305	GRAY	灰色
307	H 307	GRAY	灰色
336	H 336	FLAXEN GREEN	亚麻绿
338	H 338	LIGHT GRAY	浅灰色

Scheme 1

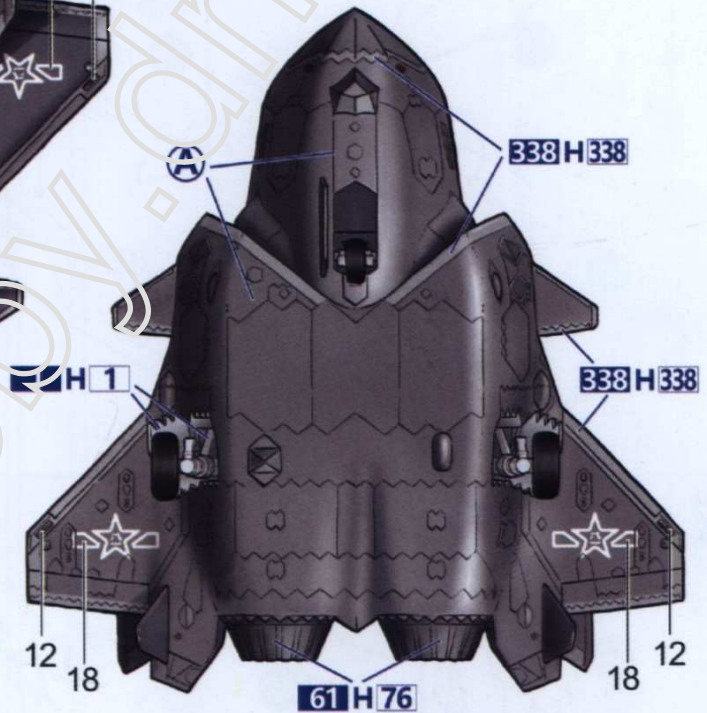
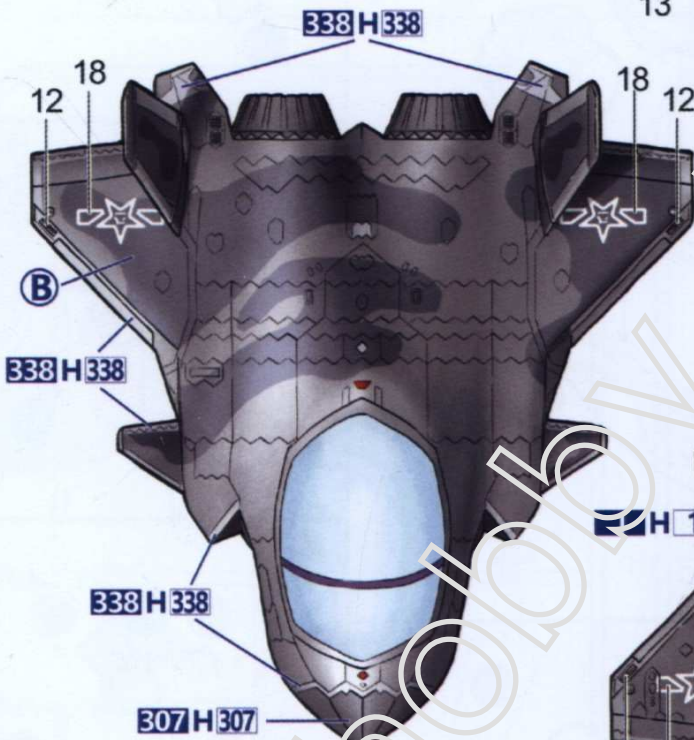
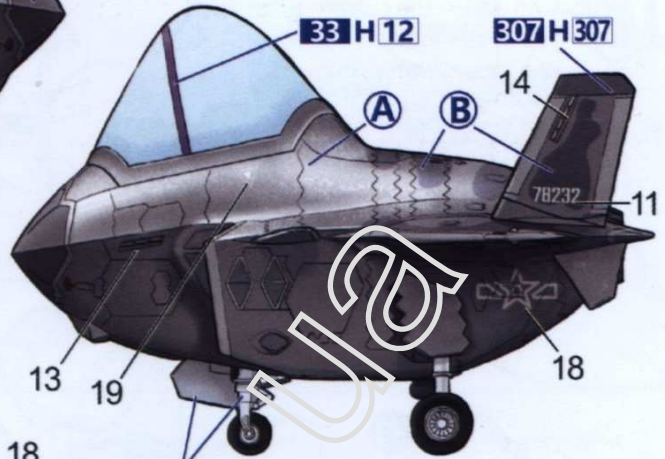
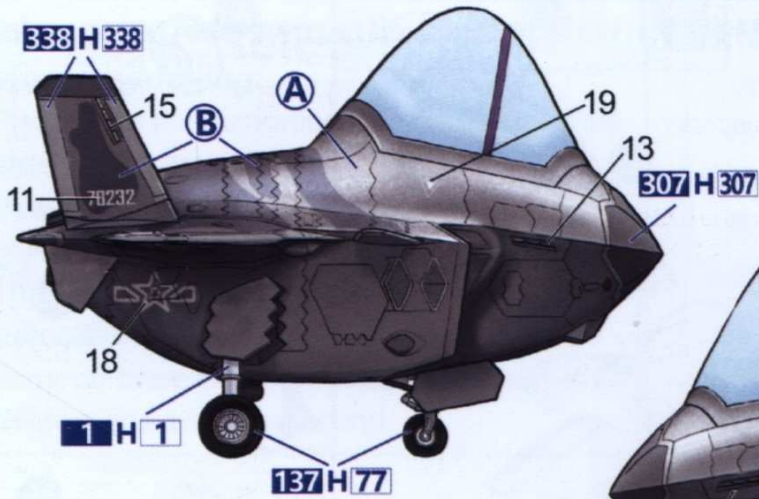


J-20 Mighty Dragon

Scheme 2

(A) 70% **307 H 307** + 30% **8 H 8**

(B) 70% **305 H 305** + 30% **8 H 8**



PLAAF Pilot Figure

