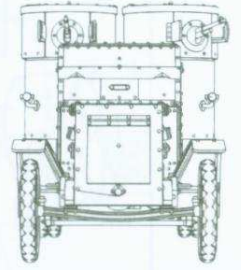
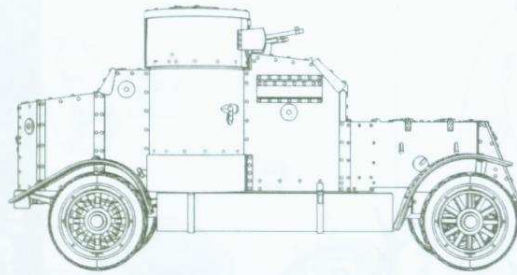
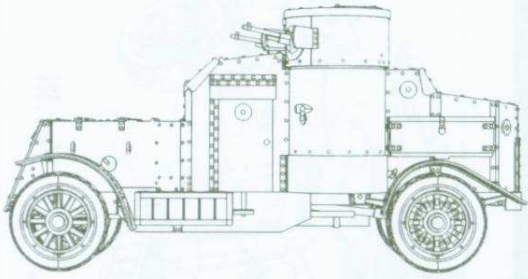
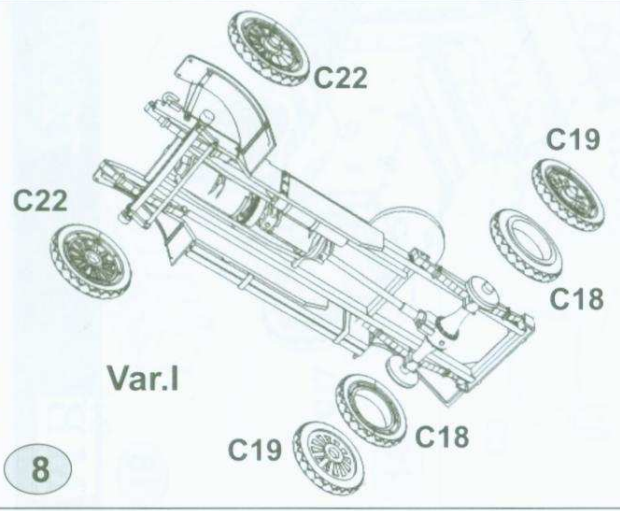
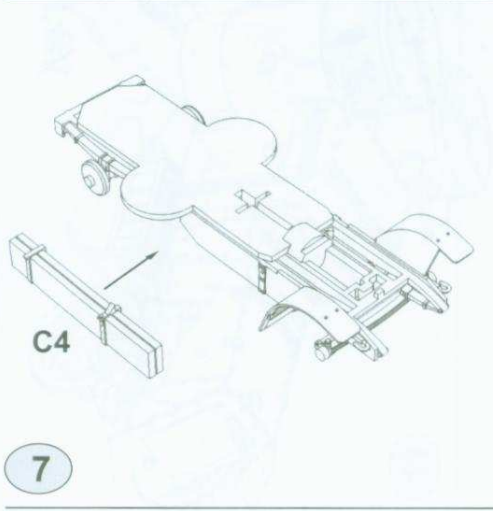
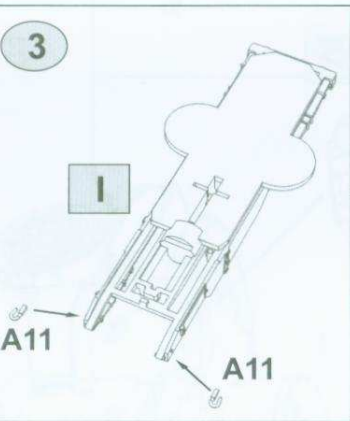
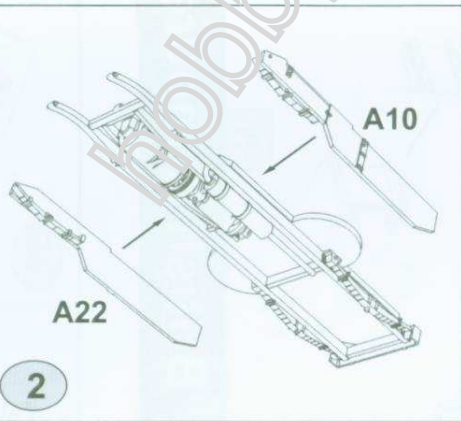
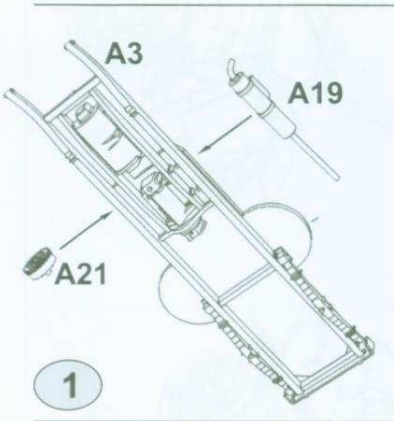
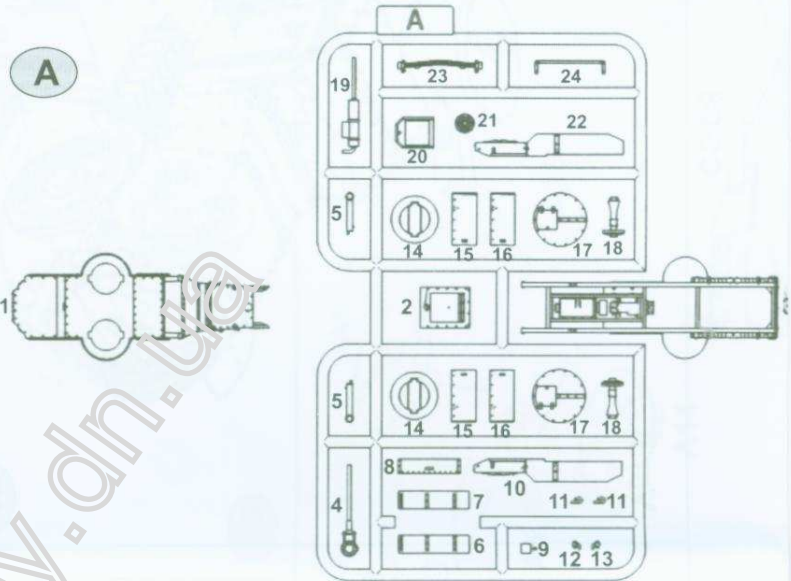


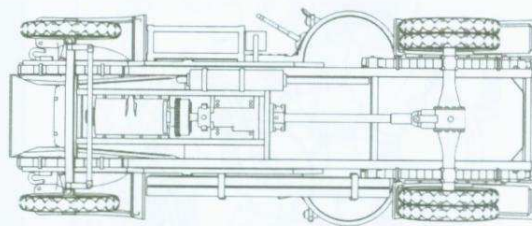
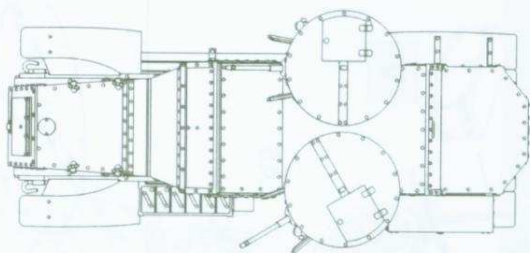
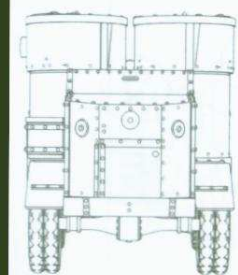
Many thanks to Valeriy Sorokin, Moscow, Russia



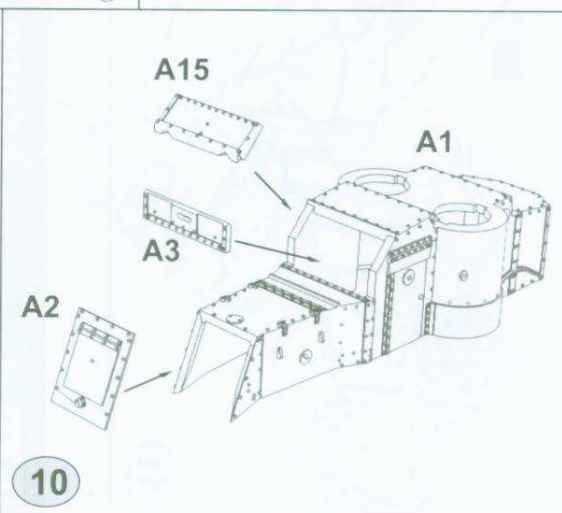
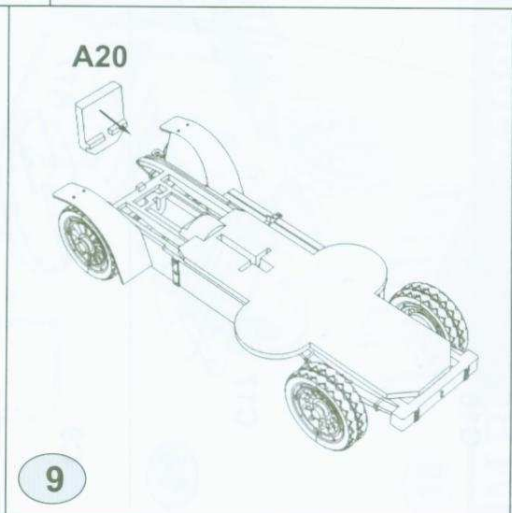
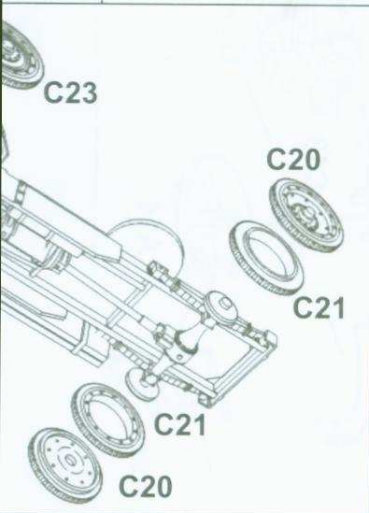
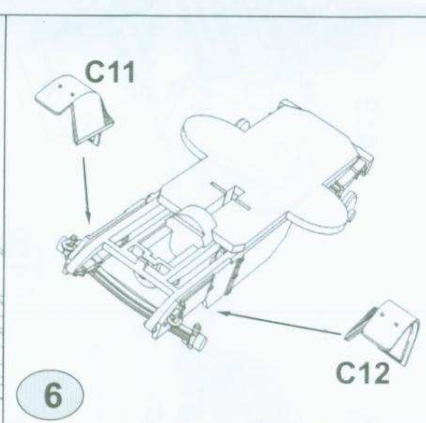
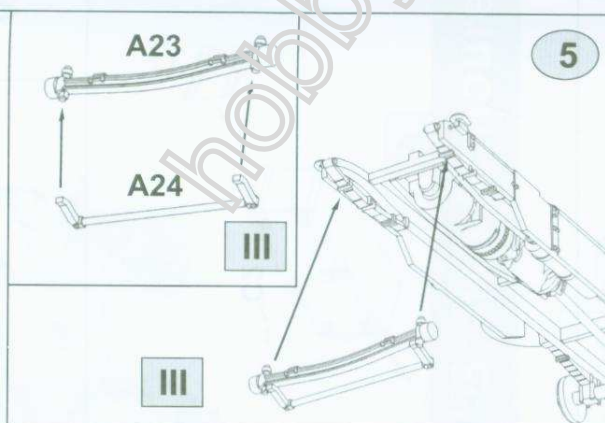
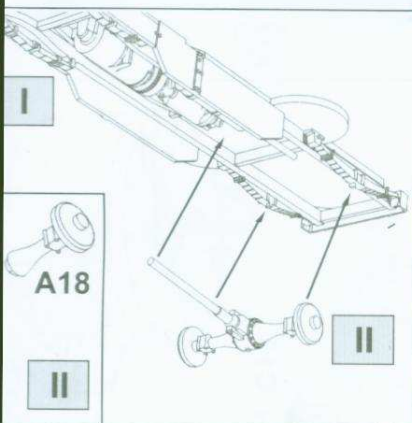
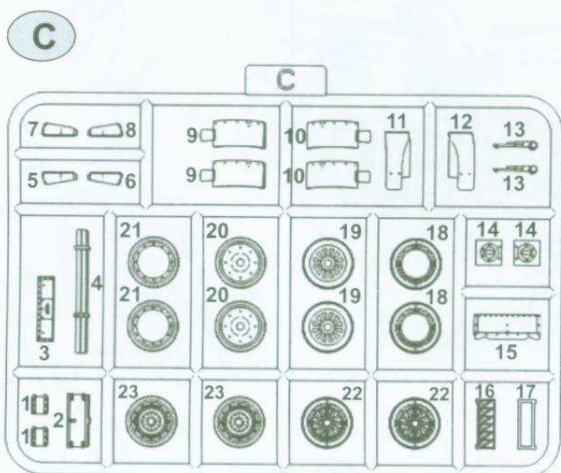
# 72008 "British Armoured Car"

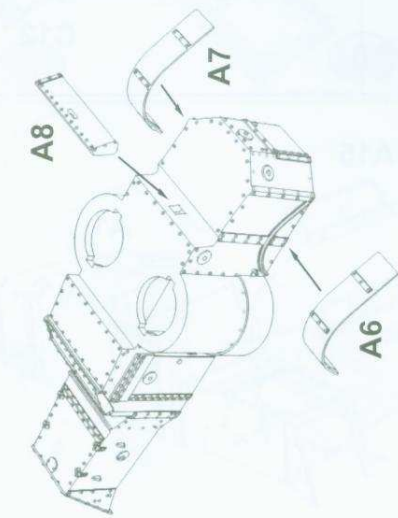


an Federation for help in the creation of this kit.

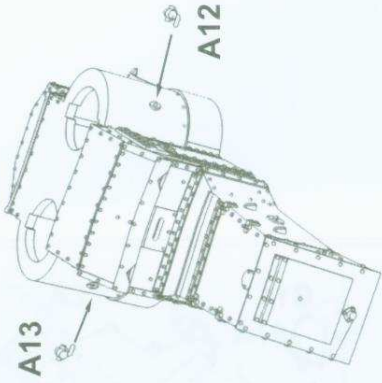


# ar, Austin, MK IV, WW I Era”

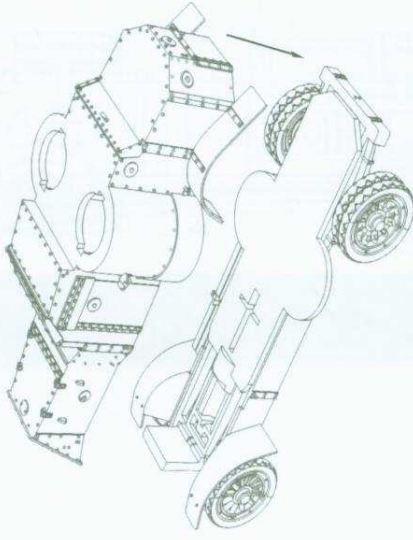




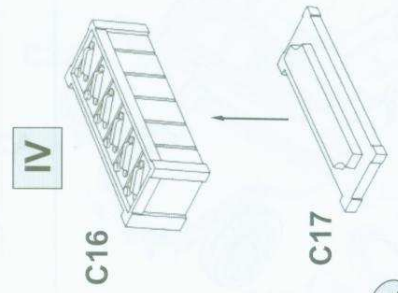
11



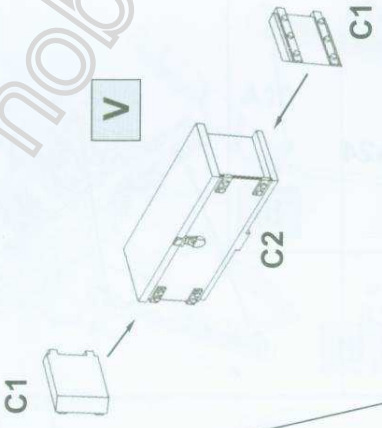
12



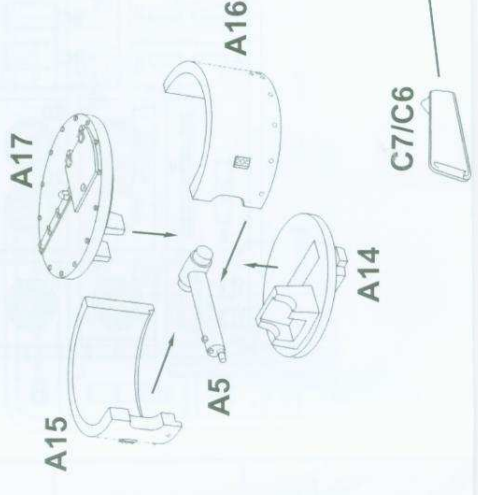
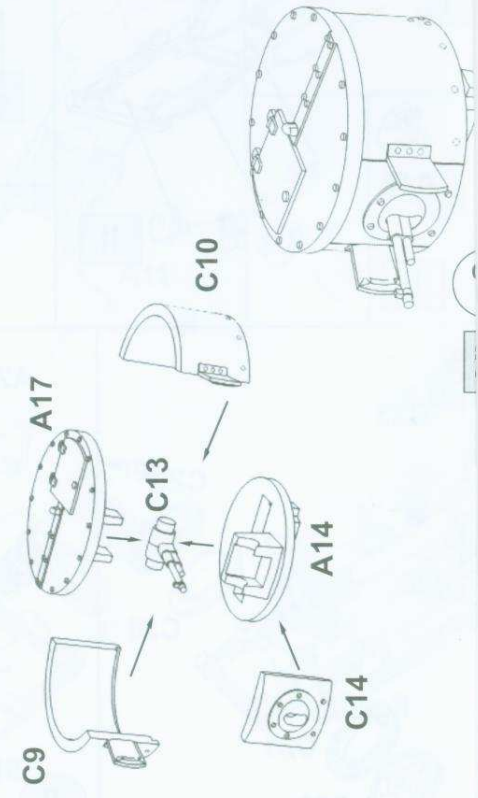
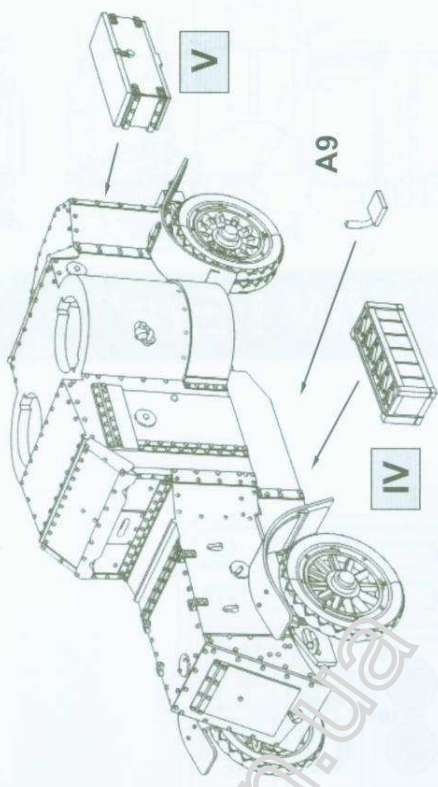
13



14

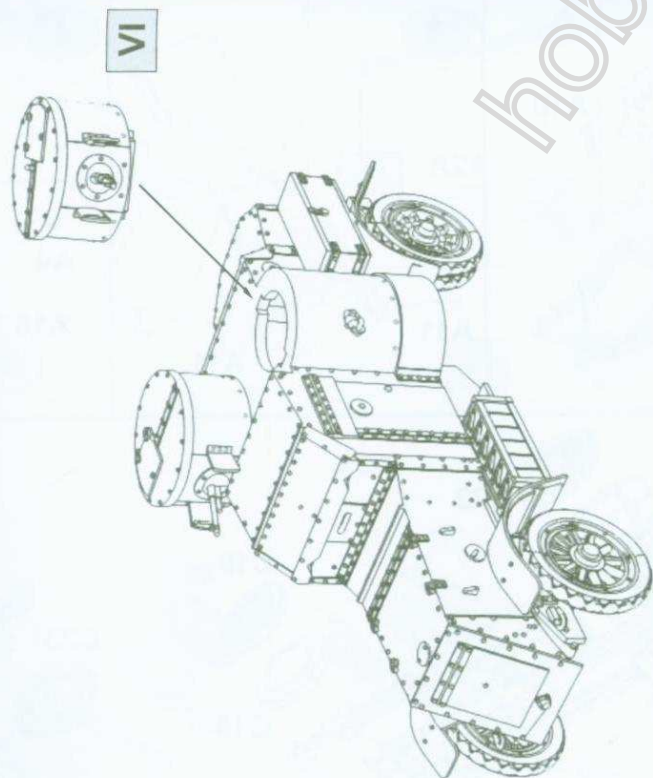


15

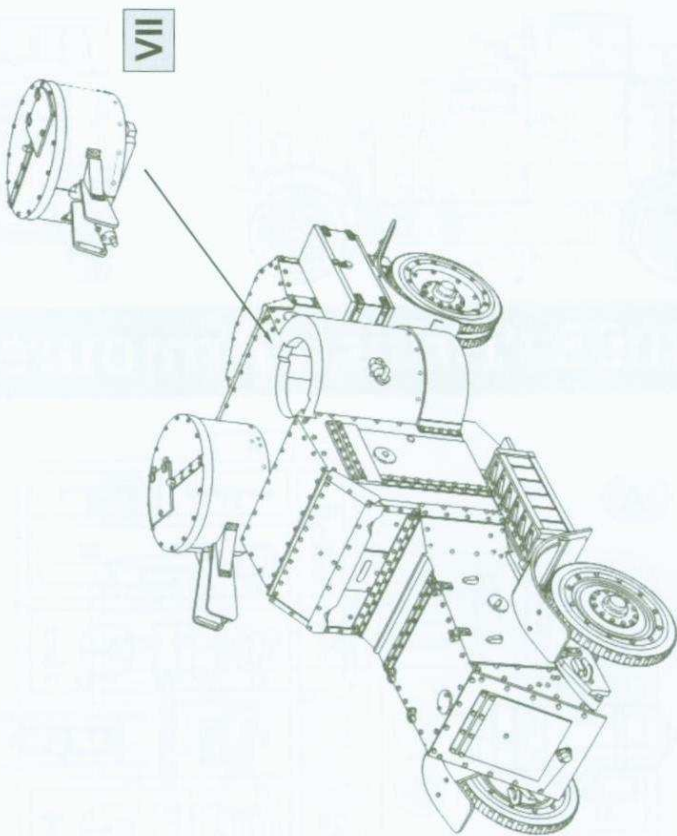


VII x2

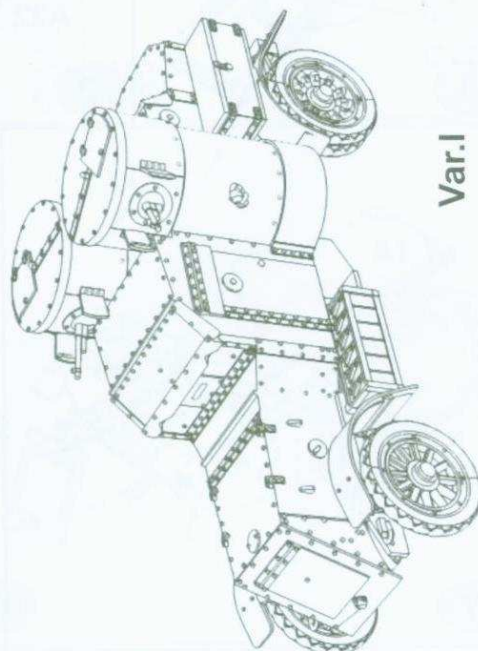
Var.I



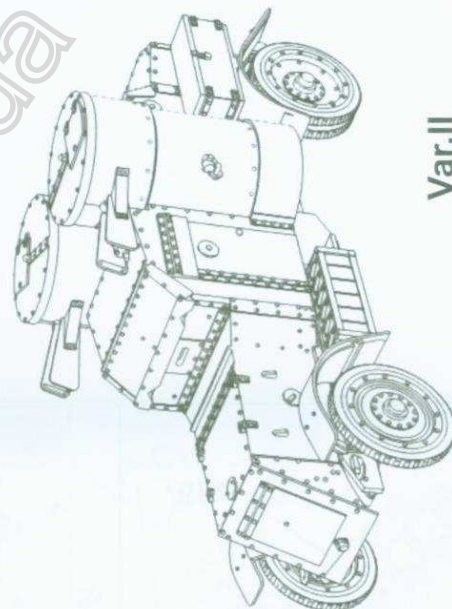
Var.II



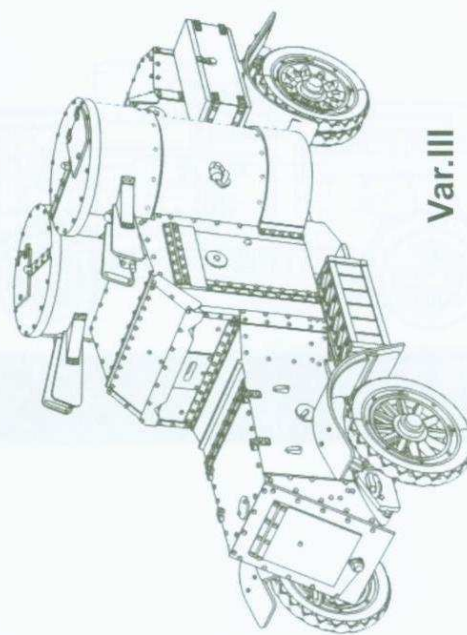
72008 "British Armoured Car, Austin, MK IV, WW I Era"



Var.I



Var.II



Var.III