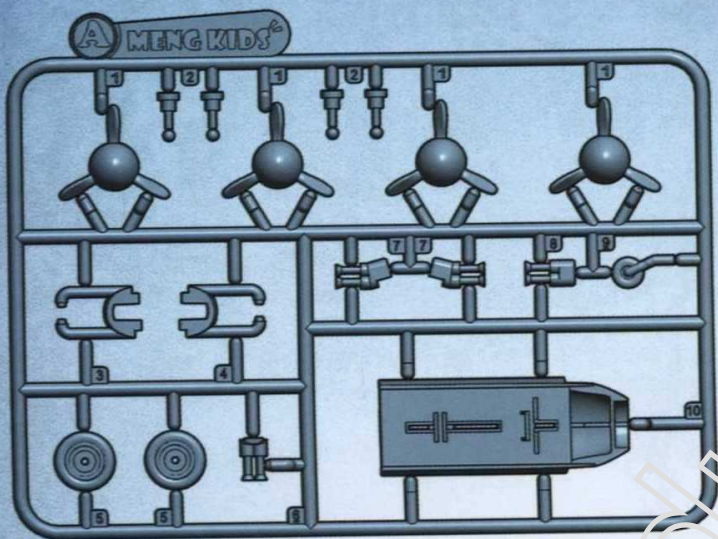


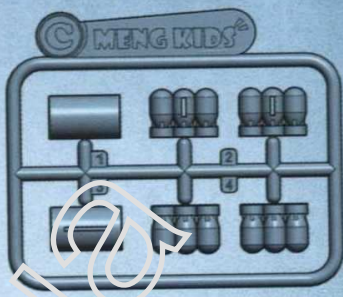


零件图 PARTS

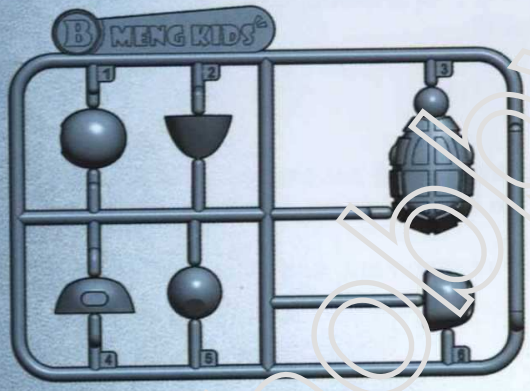
A PARTS



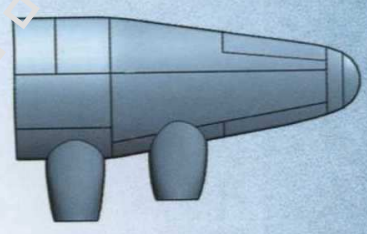
C PARTS



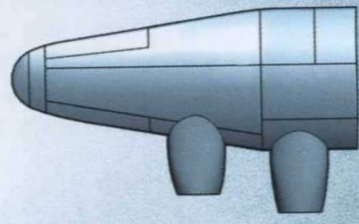
B PARTS



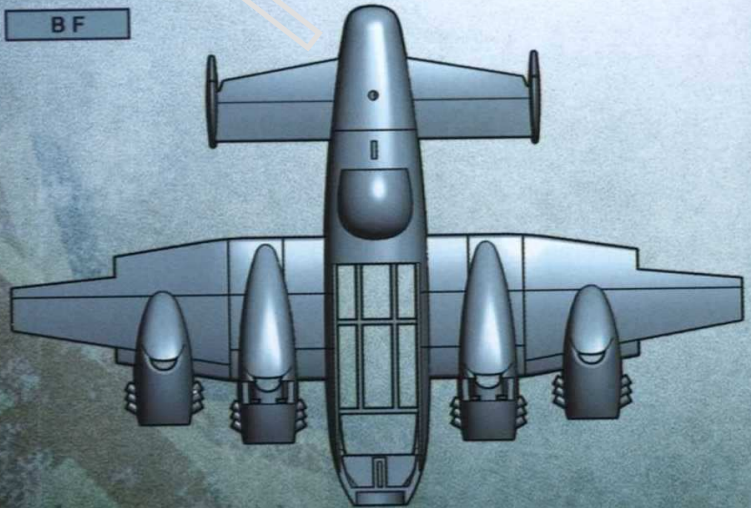
FW



RW



BF



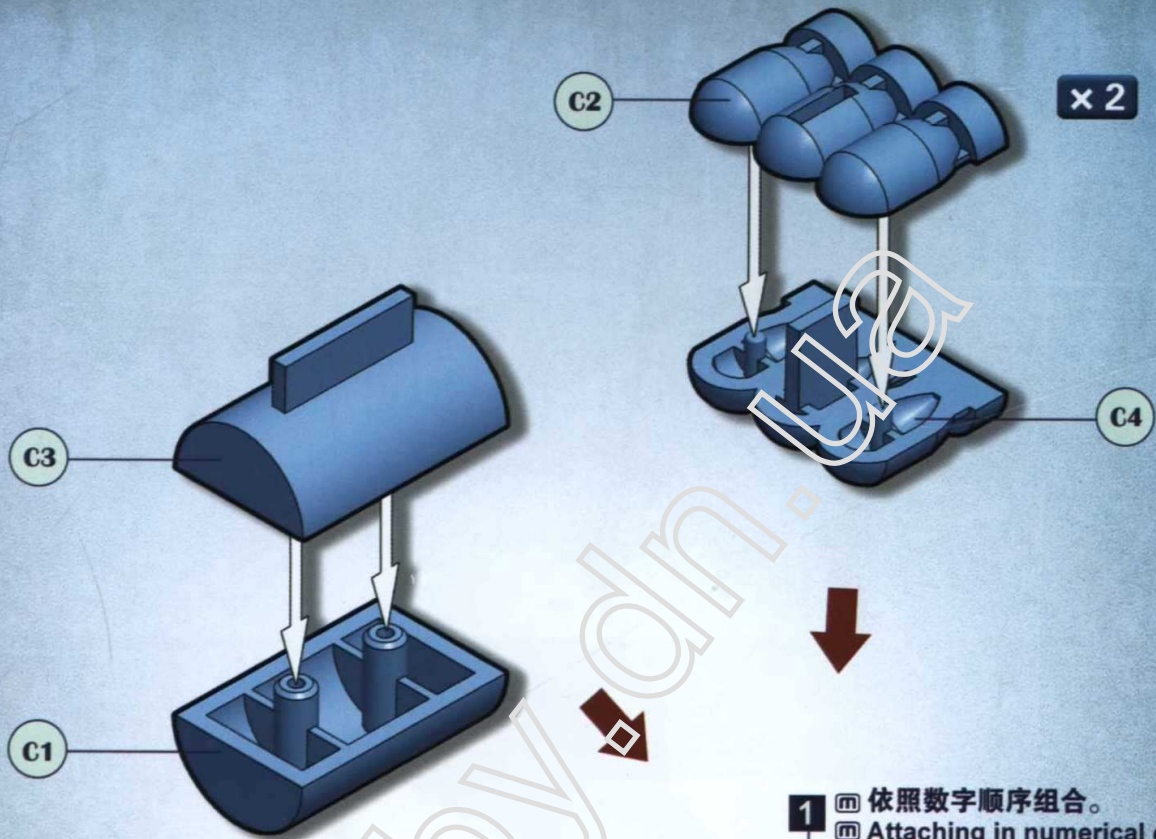
TF



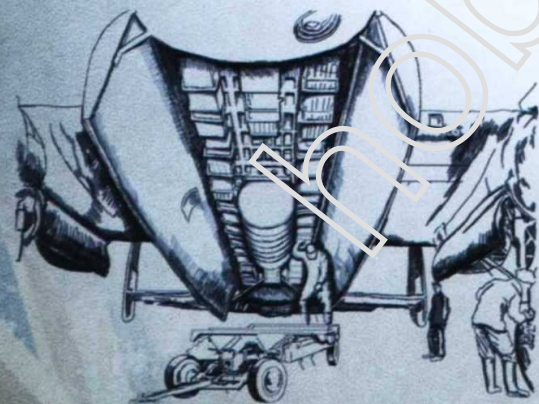
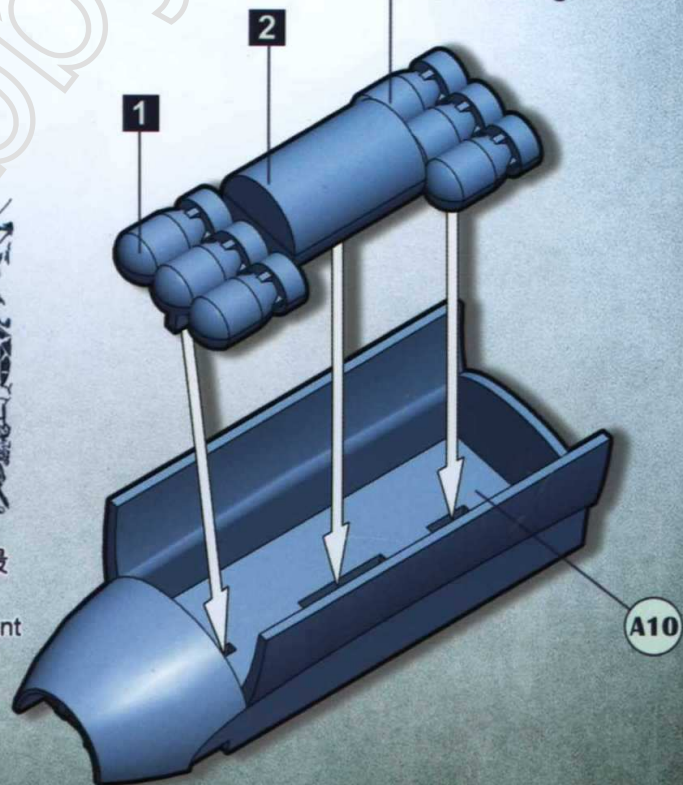


炸弹及弹舱组装

BOMB AND BOMB BAY ASSEMBLY



1 依照数字顺序组合。
1 Attaching in numerical order.

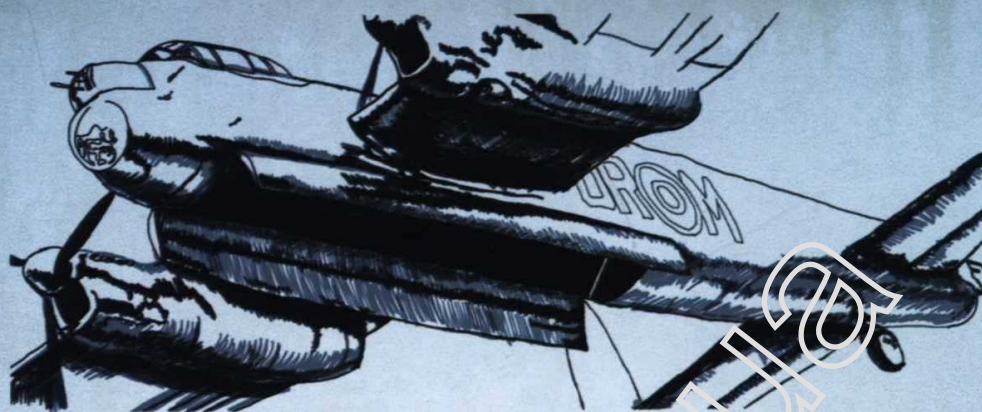


“兰开斯特”一般会混合挂载多种炸弹，最大的那个被戏称为“小馅饼”。

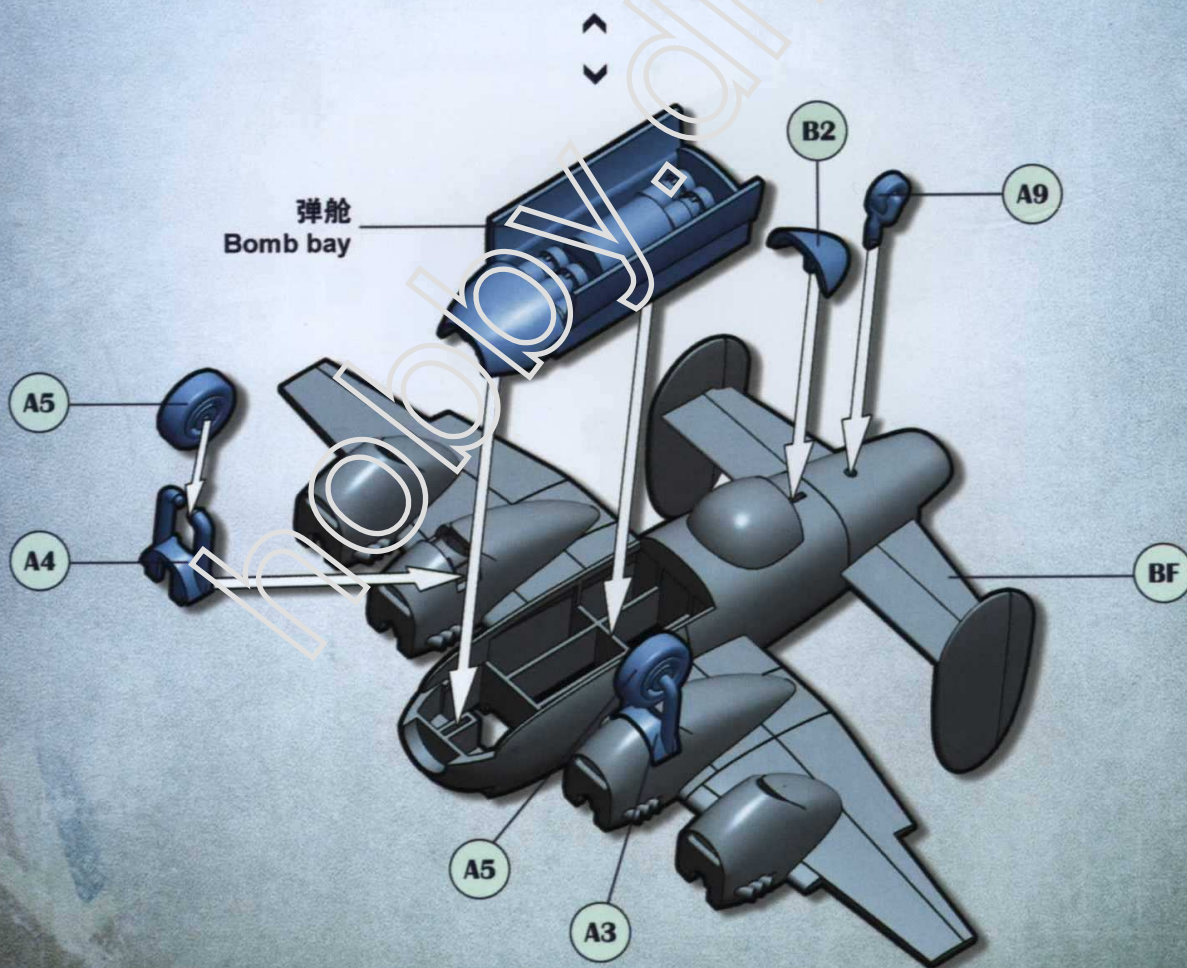
The Lancaster usually carried a mix of different bombs. The biggest one was called "Cookie".

机腹设备组装

BELLY EQUIPMENT ASSEMBLY



“兰开斯特”的弹舱尺寸巨大，长达十余米，几乎相当于飞机全长的一半。
 The Lancaster's huge bomb bay was more than 10m long. That's almost half the length of the bomber.

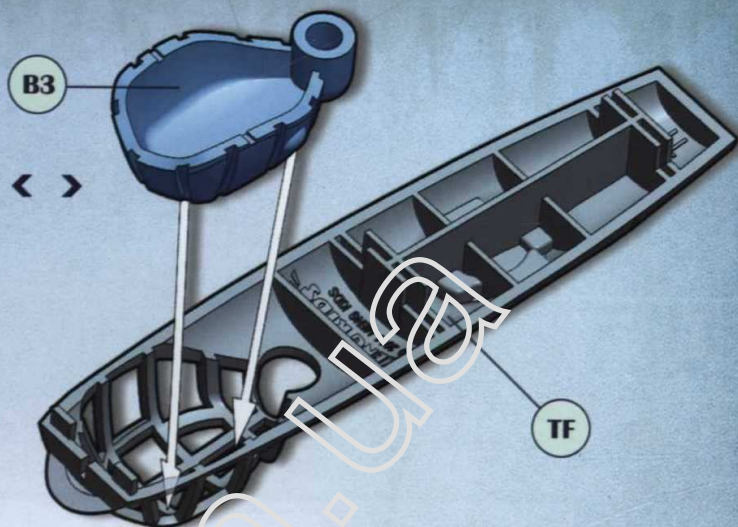


3

机身顶部组装 FUSELAGE TOP ASSEMBLY



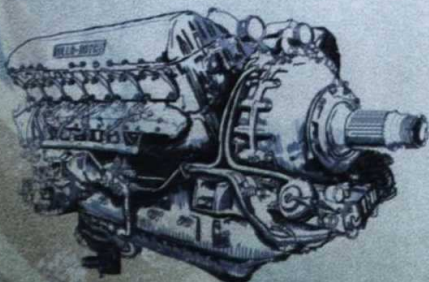
“兰开斯特”采用“花房”式座舱，外观就像一个玻璃暖房。
The Lancaster had a distinctive greenhouse cockpit.



4

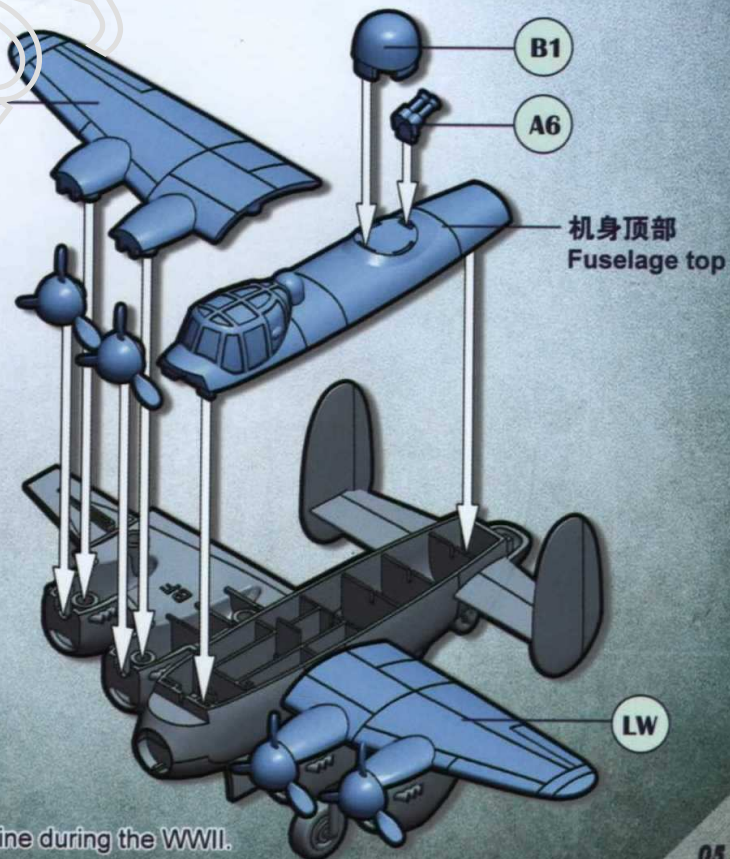
机身及机翼组装 FUSELAGE AND WING ASSEMBLY

× 4



“兰开斯特”装备四台“灰背隼”发动机，这款发动机是二战中最著名的液冷发动机。

The Lancaster was fitted with four Merlin engines. The engine was the most famous liquid-cooled engine during the WWII.

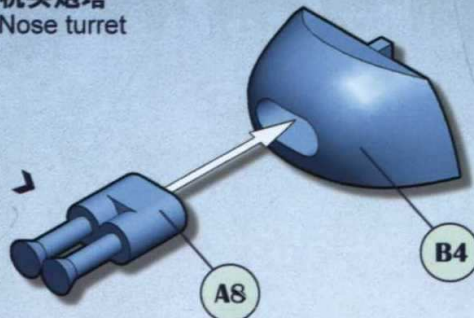


5

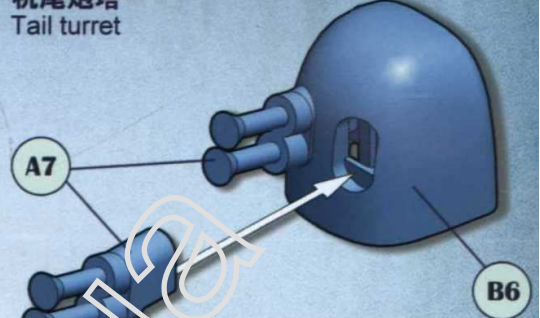
机枪组装 MACHINE GUN ASSEMBLY



机头炮塔
Nose turret



机尾炮塔
Tail turret



二战中英国轰炸机一直使用高射速的布朗宁7.7mm机枪作为自卫武器。

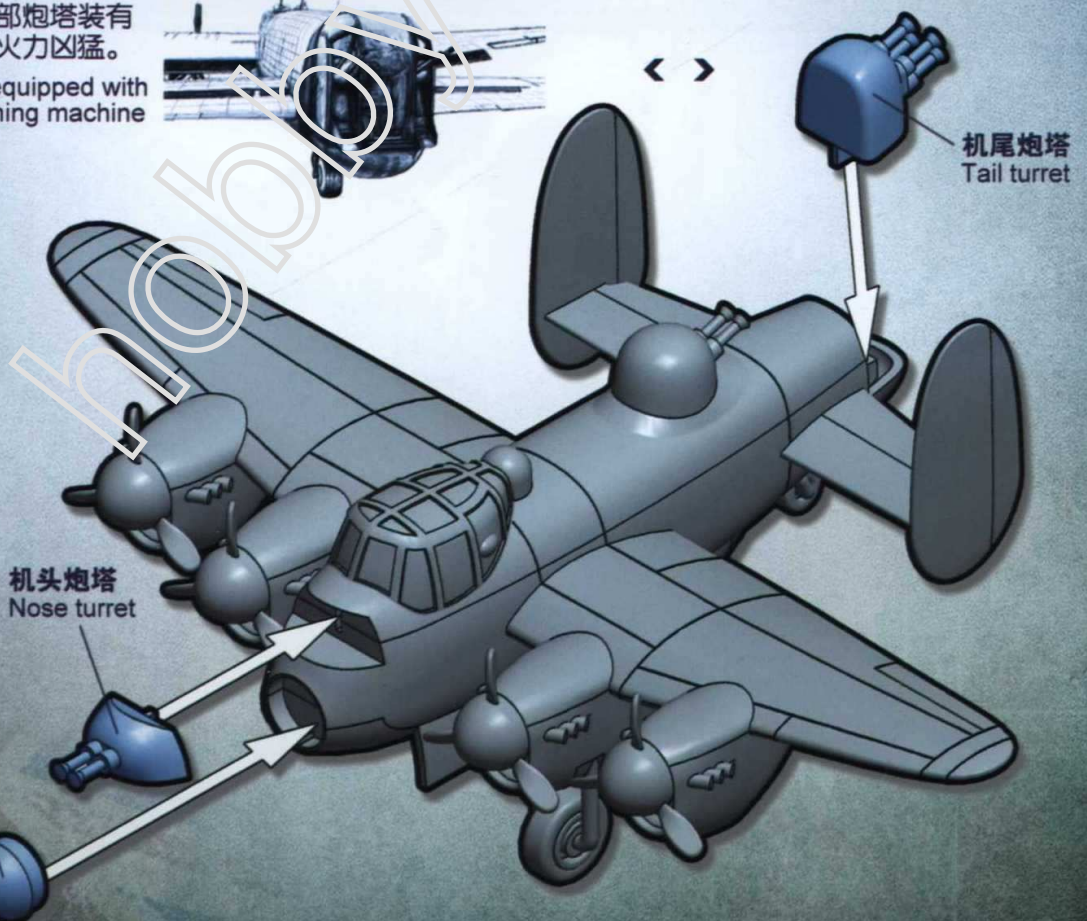
The defensive armament of WWII British bombers was the Browning 7.7mm machine gun. This machine gun had a high rate of fire.

6

炮塔组装 TURRET ASSEMBLY

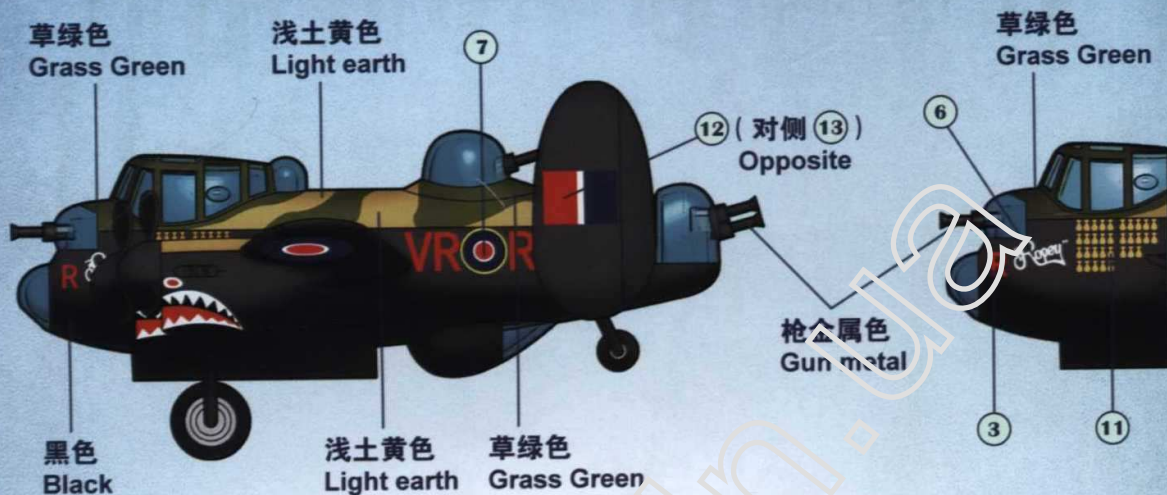
“兰开斯特”的尾部炮塔装有四挺布朗宁机枪，火力凶猛。

The tail turret was equipped with four powerful Browning machine guns.



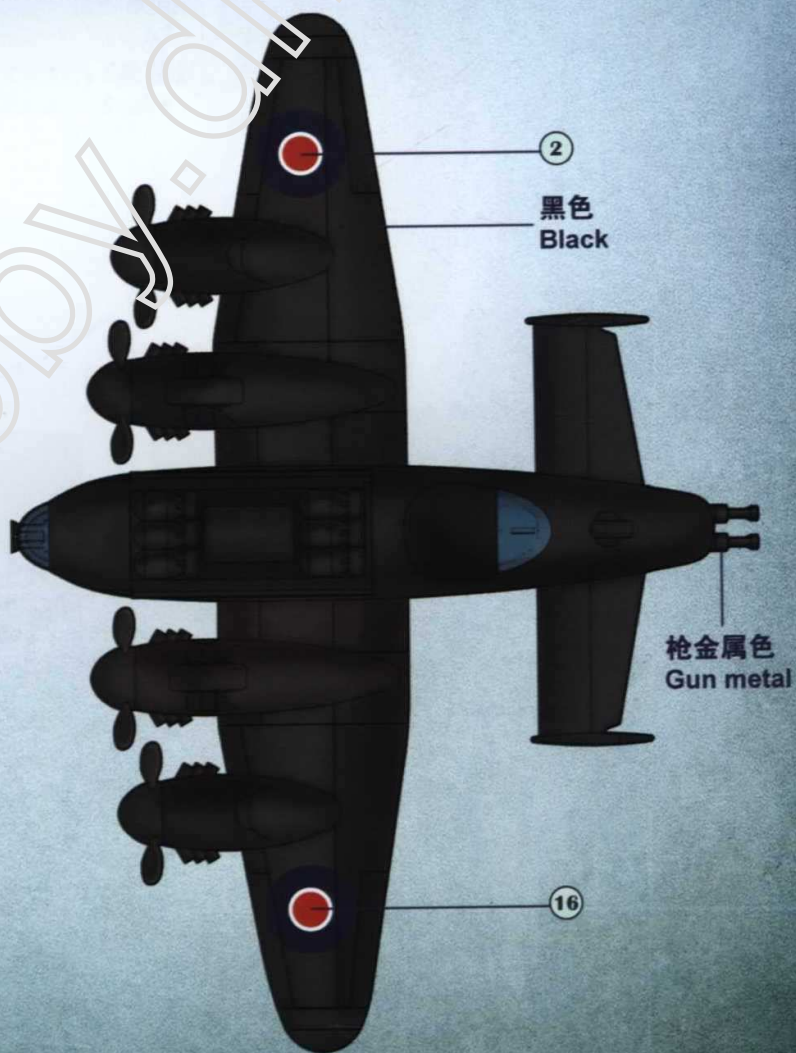


涂装指示 PAINTING



1. 可参照图示的色彩使用涂料进行涂装，以获得更精美的视觉效果。
2. 涂装时需要使用塑料模型专用喷涂工具、毛笔或塑料模型专用马克笔。
3. 在涂装时请遵从涂料及涂装工具的使用说明。
4. 本产品不含涂料及涂装工具。

1. You can paint the model with the suggested colors to achieve better visual effect.
2. You need paint spraying tools, paint brushes or special markers for plastic models.
3. Please follow the instructions of paints and painting tools when you paint the model.
4. Paints and painting tools are not included in this product.





涂装指示 PAINTING

