

INTERIOR KIT
INTERIOR IS ACCURATELY REPRESENTED

WWI MILITARY MINIATURES SERIES

AUSTIN ARMoured CAR 1918 PATTERN

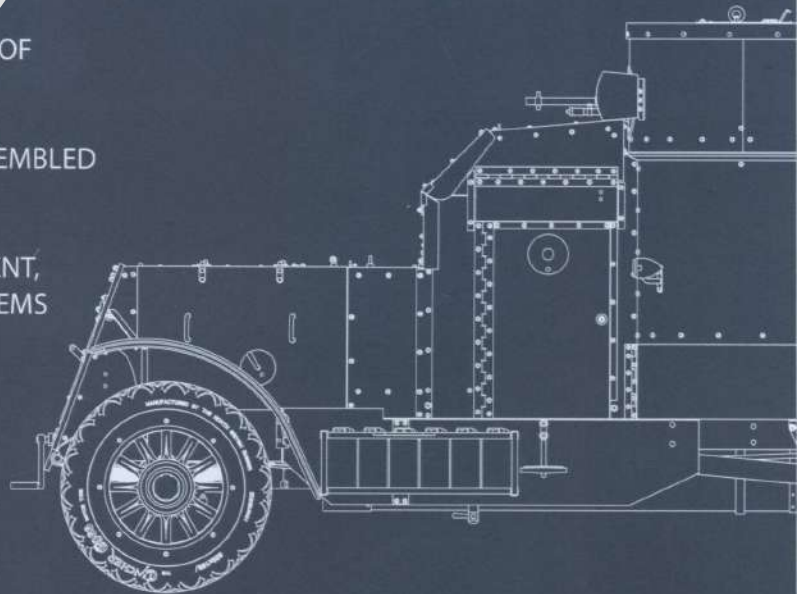
BRITISH SERVICE. WESTERN FRONT

39009



GENERAL INSTRUCTION

- HIGHLY DETAILED PLASTIC MODEL KIT
- DRIVER COMPARTMENT AND INTERIOR OF TURRET ACCURATELY REPRESENTED
- ALL HATCHES AND DOORS CAN BE ASSEMBLED IN OPEN OR CLOSED POSITION
- HIGHLY DETAILED ENGINE COMPARTMENT, TRANSMISSION, BRAKE, STEERING SYSTEMS
- PHOTO-ETCHED PARTS INCLUDED
- CLEAR PLASTIC PARTS INCLUDED
- DECAL SHEET INCLUDED
- 7 MARKING & PAINTING OPTIONS

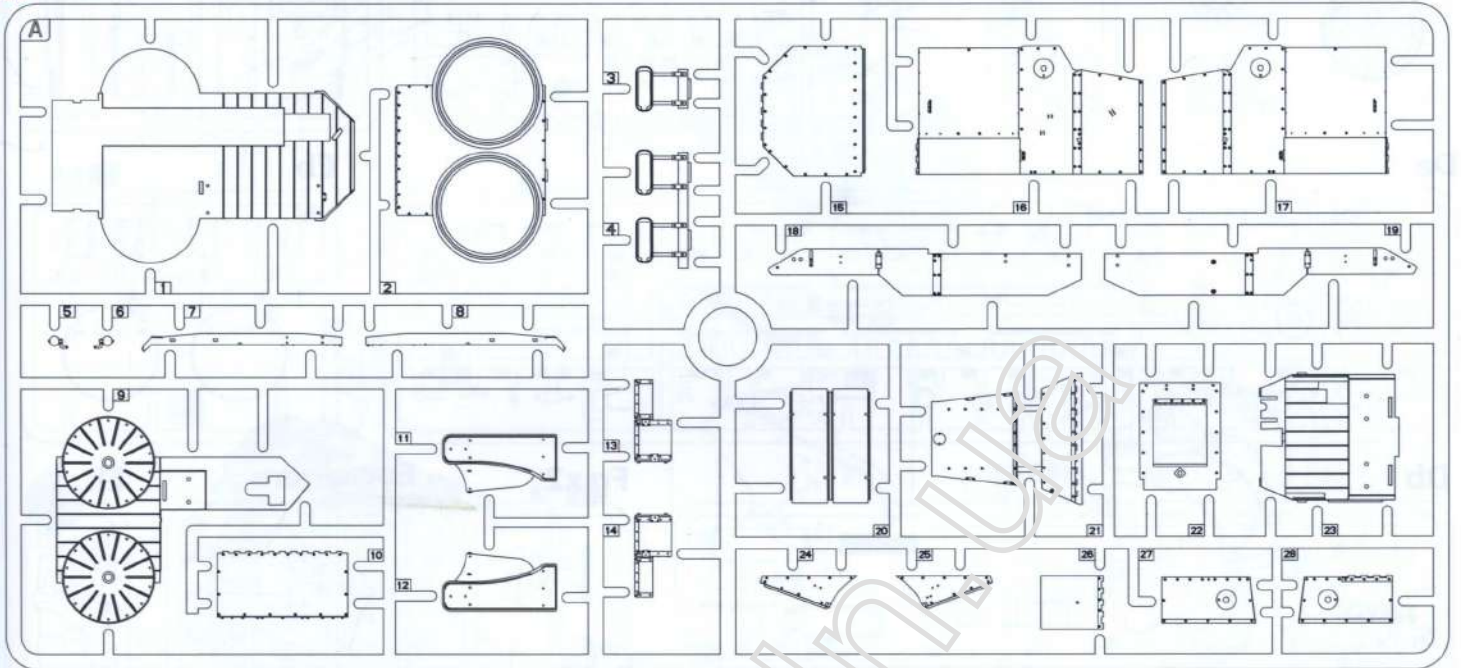


SCALE
1:35

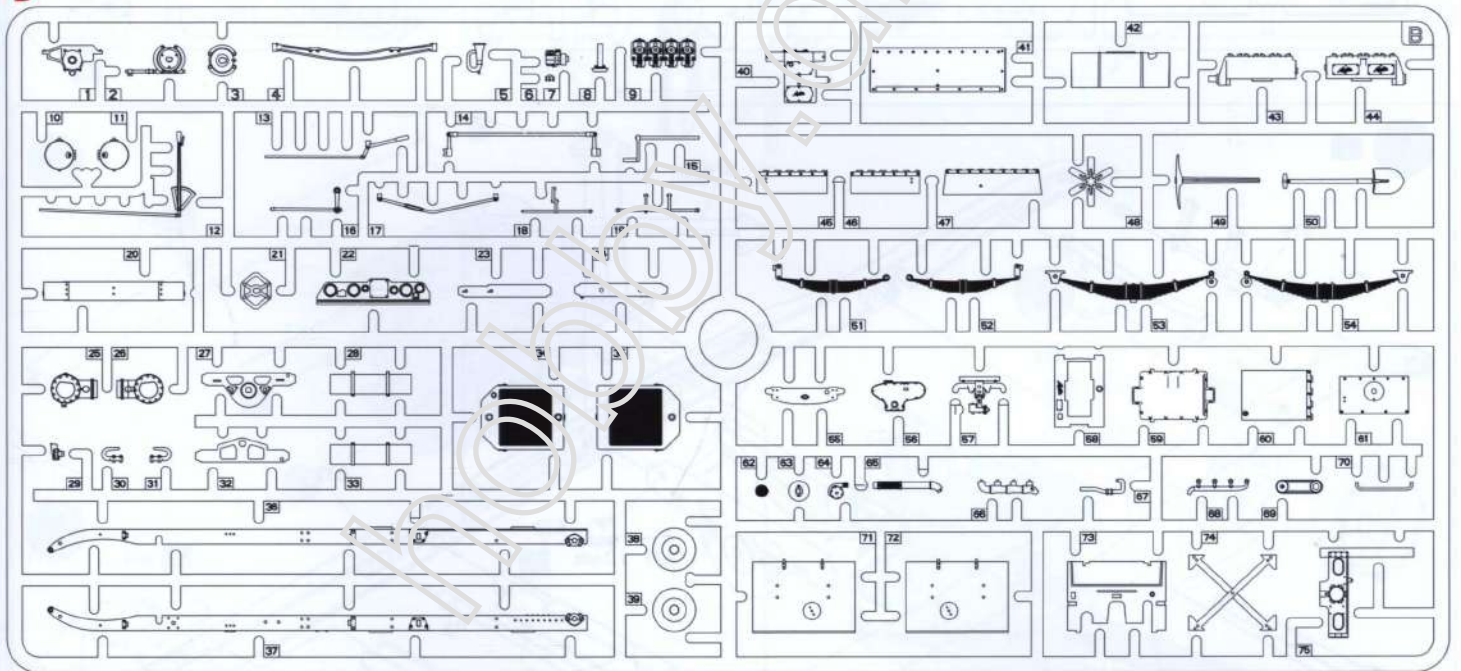
MiniArt

PARTS

A



B

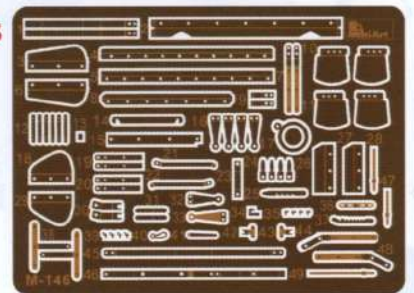


Decal Sheet

39009 Austin Armoured Car 1918 Pattern. British Service. Western Front. SCALE 1:35
INTERIOR KIT

4	6	1	9	3	2.2	4	4	11
5	7	2	9	3	2.2	8	3	3
3	3	3	13	14	2.2	12	9	10
			15	15				

**PE parts
M-146**





MAKE 2 pcs
2 TEILE FERTIGEN
EFFECTUER 2 PIÈCES
FARE DUE PEZZI
TEE 2 KPL
GOR 2 ST
ПОВТОРИТЬ ДВА РАЗА
КІЛЬКІСТЬ РАЗІВ



DO NOT CEMENT
NICHT KLEBEN
NE PAS COLLER
NON INCOLLARE
EKLIMMA
LIMMEJ
НЕ ИСПОЛЬЗОВАТЬ КЛЕЙ
НЕ КЛЕТИ



OPTIONAL
NACH BELIEBEN
FACILITATIF
FACOLTATIVO
VALINNANVARAINEN
VALSAR
ВАРИАНТЫ
ВАРИАНТИ



OPEN HOLE
OFFNEN
FAIRE UN TROU
FORO APERTO
AVAA REKA
OPPIA-HALET
СДЕЛАТЬ ОТВЕРСТИЕ
ЗРОБИТИ ОТВІР



REMOVE
ENTFERNEN
RETIRER
SEPARARE
POISTA
AVLAGSNA
ОТРЕЗАТЬ
ВІДРЕЗАТИ



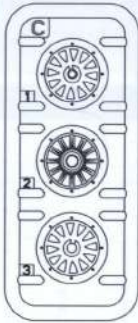
BEND
BITTE BIEGEN
PLIER S'IL VOUS PLAÎT
PIEGARE
TAITA
BOCKA
ВИГНУТЬ
ВИГНУТИ



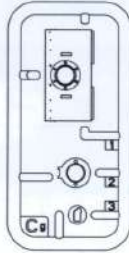
SCRATCHBUILD
AM MEISTEN ZU MACHEN
FAIRE LE PLUS
RENDITI
TEE ITSE
GOR DIG SJÄLV
СДЕЛАТЬ САМОМУ
ЗРОБИТИ САМОМУ

PARTS

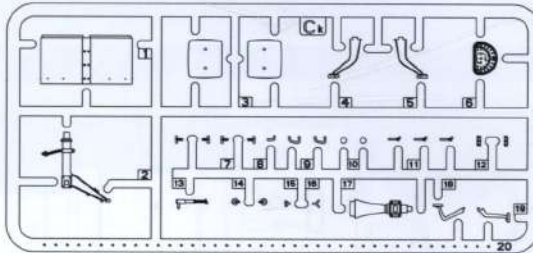
C x2



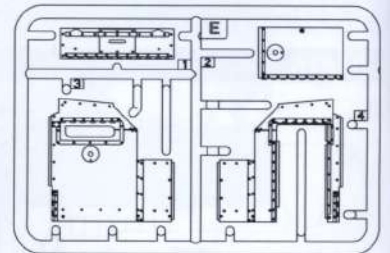
Cg x2



Ck x2



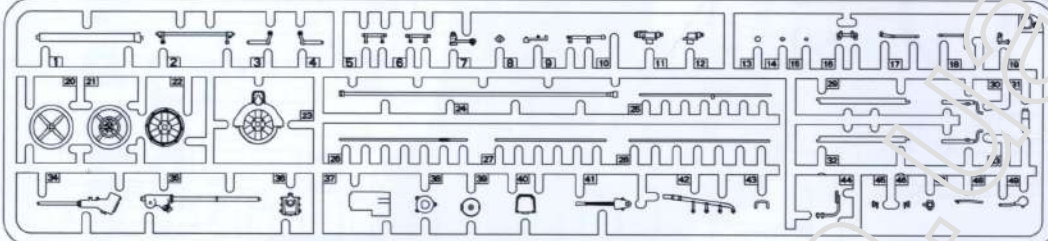
E



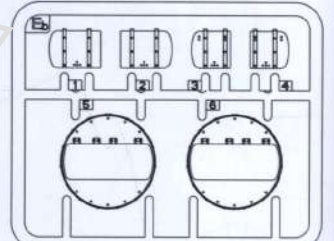
W x6



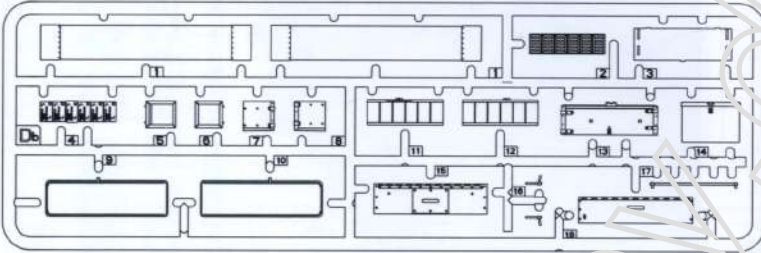
Da



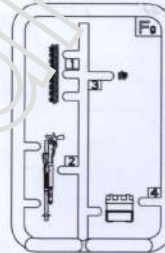
Eb



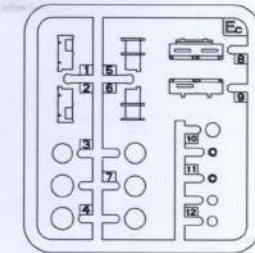
Db



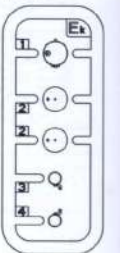
Eg x2



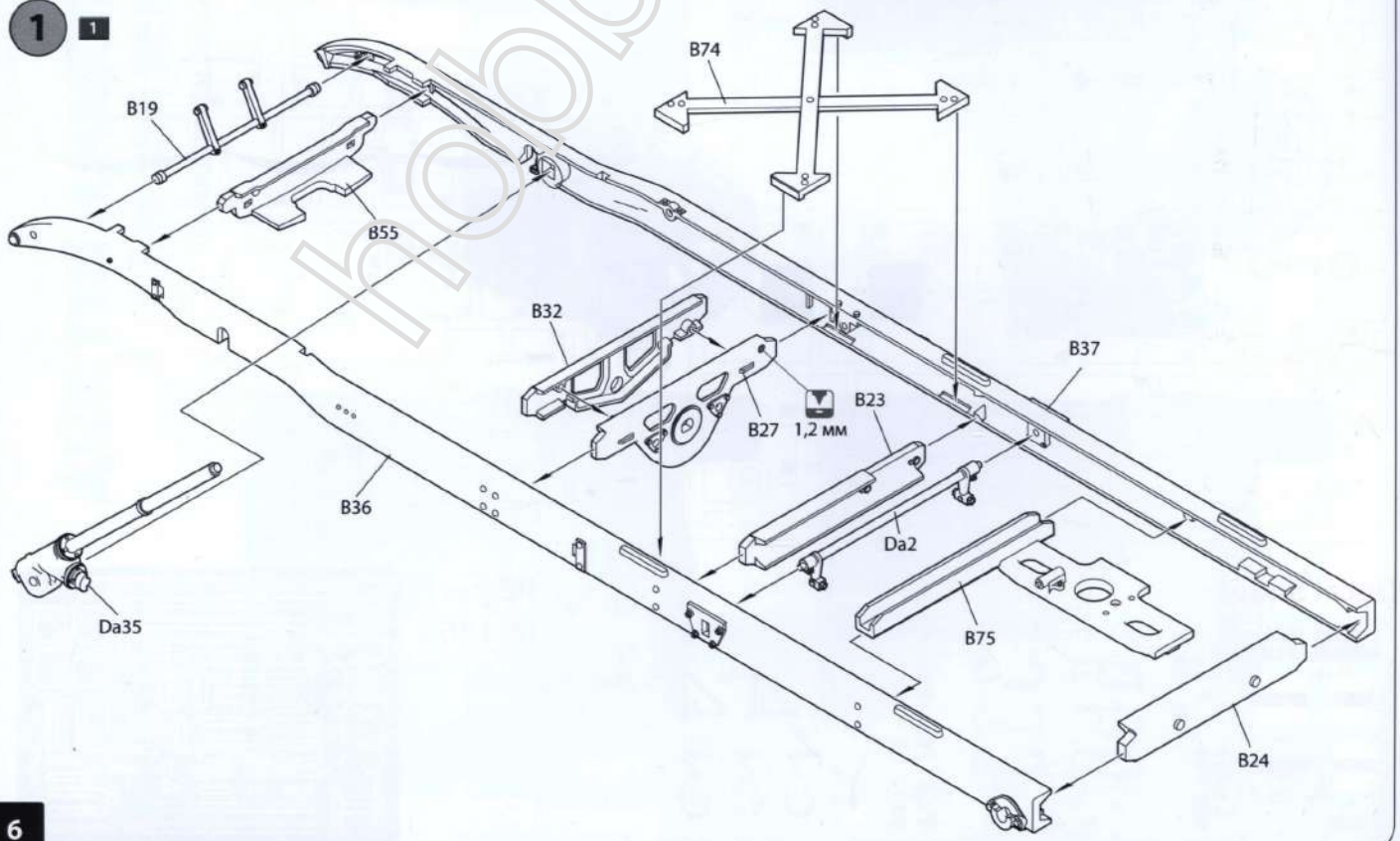
EC Clear parts



Ek

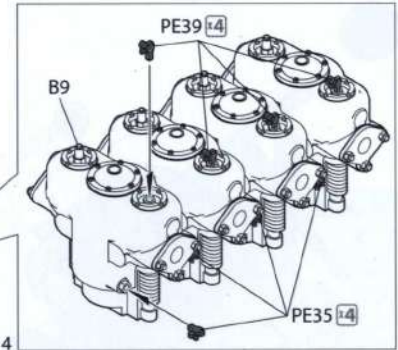
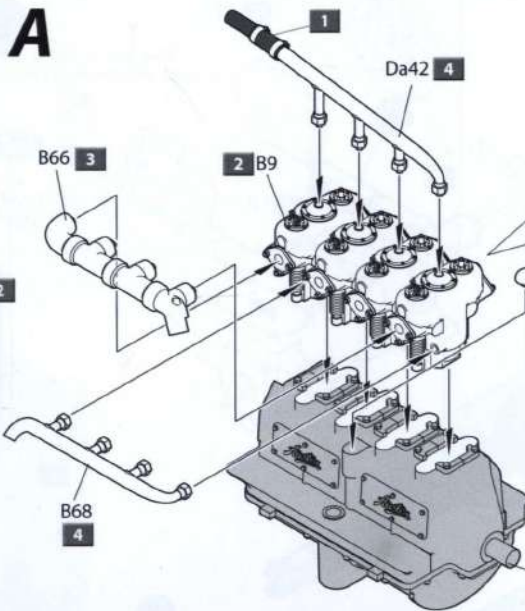
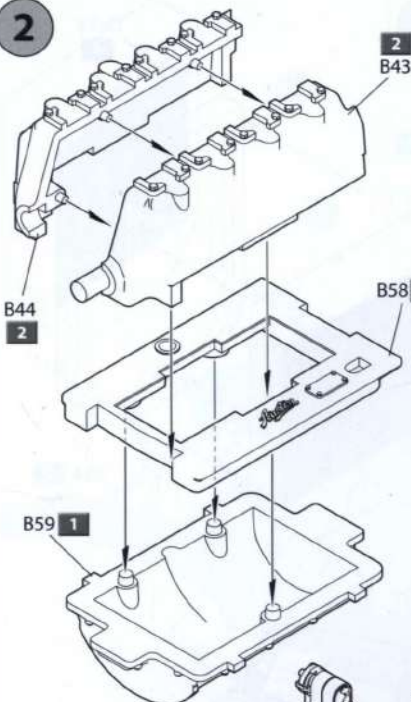


1

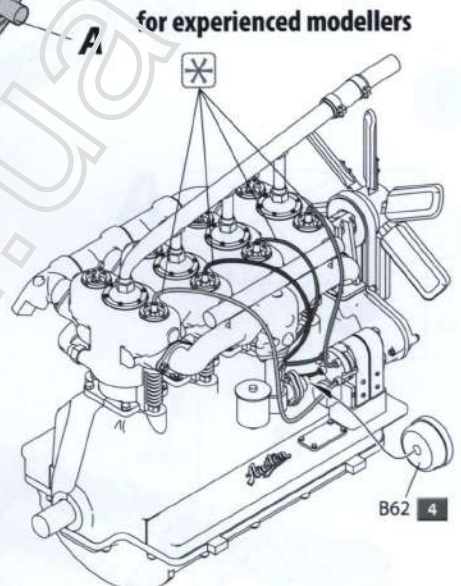
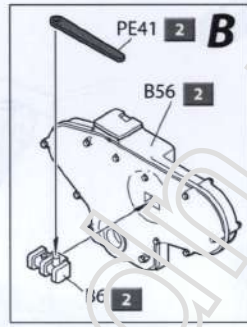
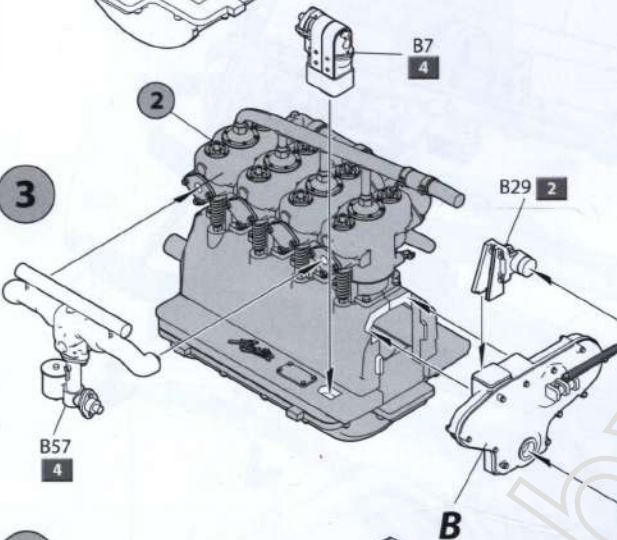


6

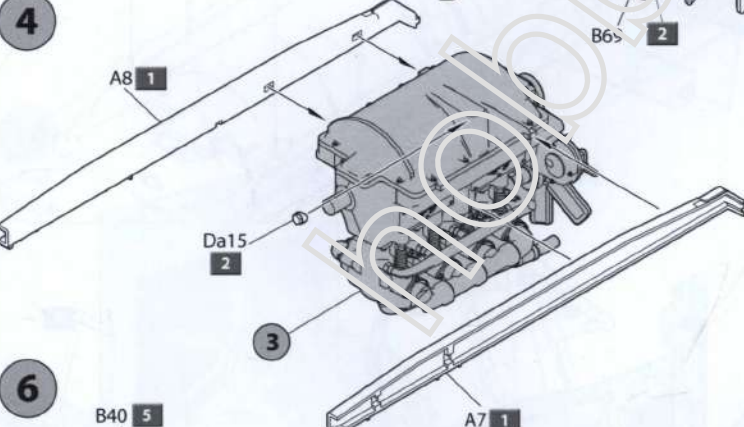
2



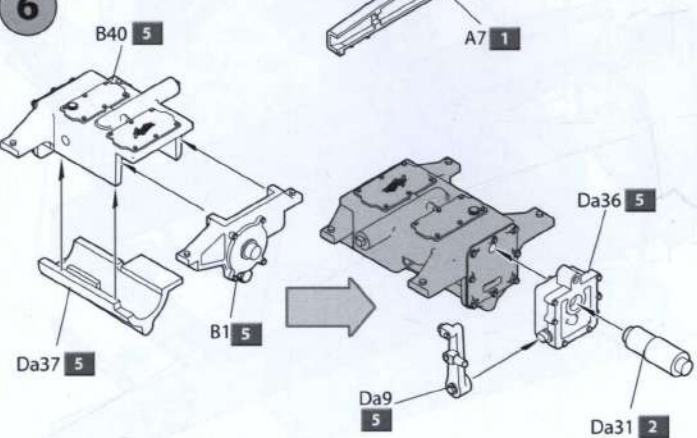
3



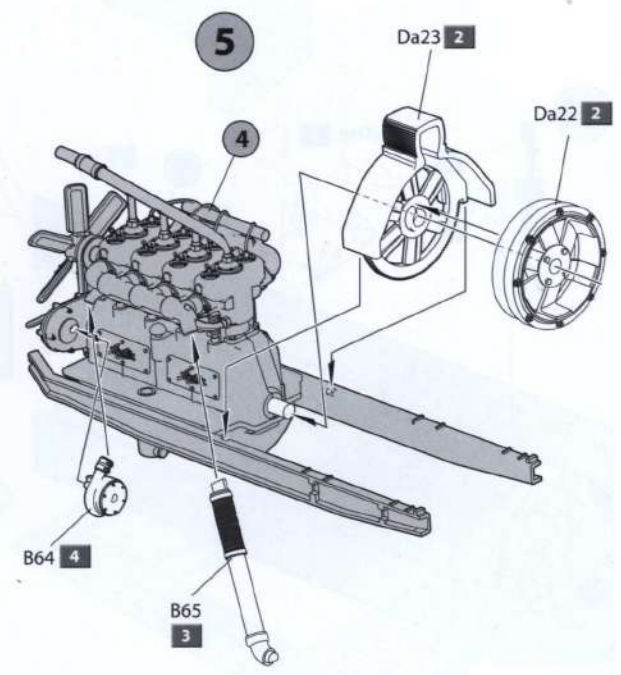
4



6

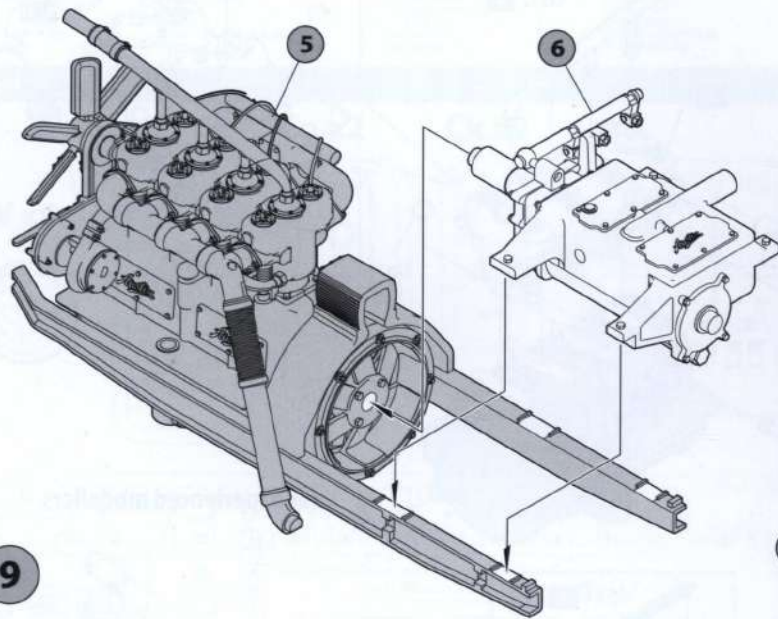


5

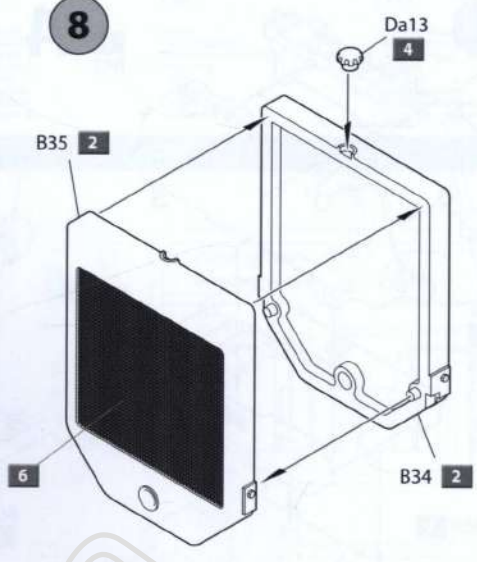


7

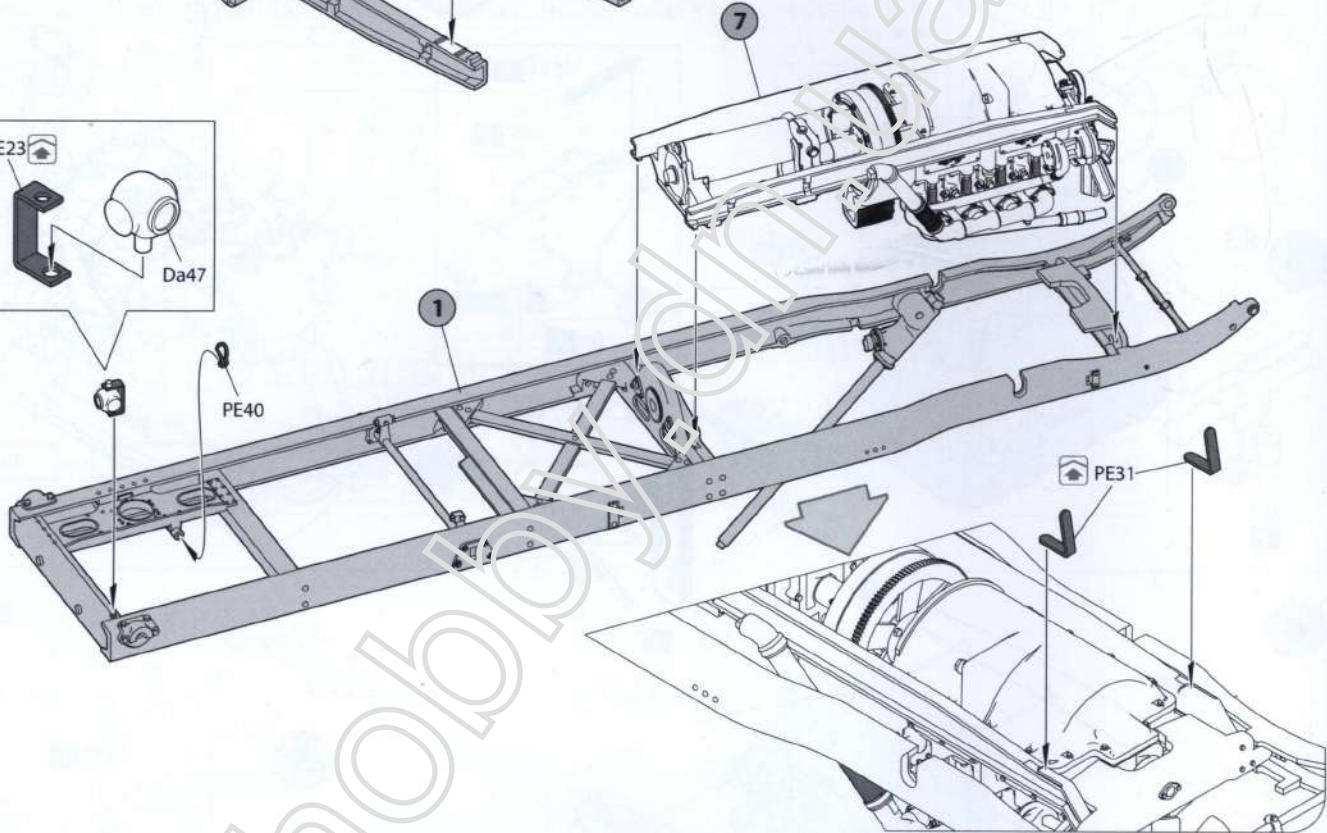
7



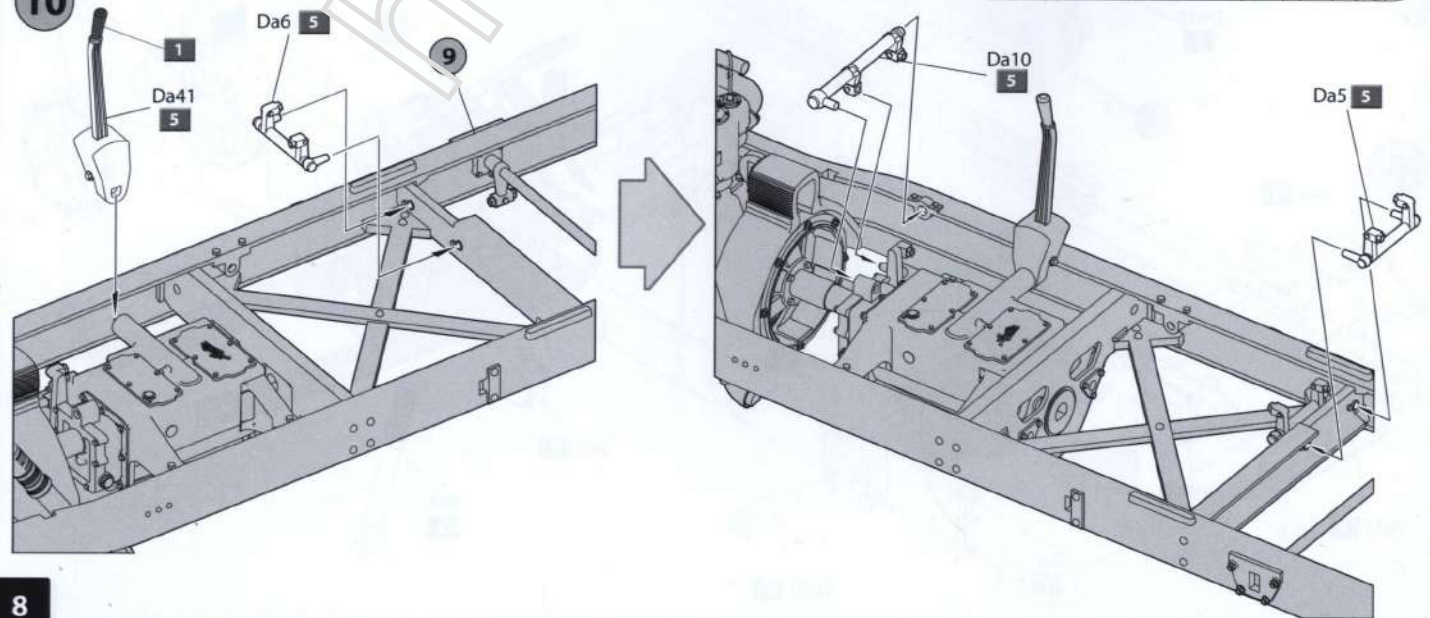
8



9

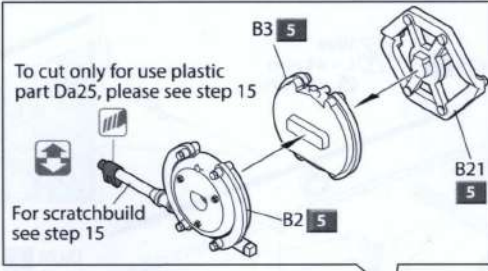
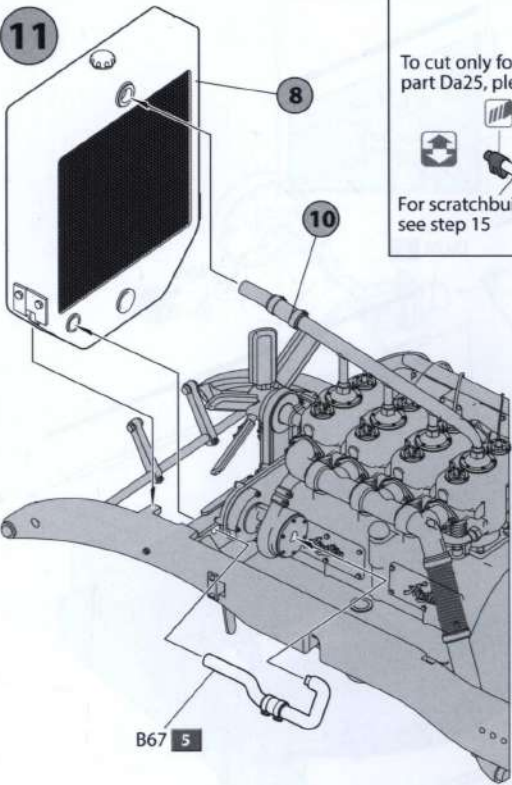


10

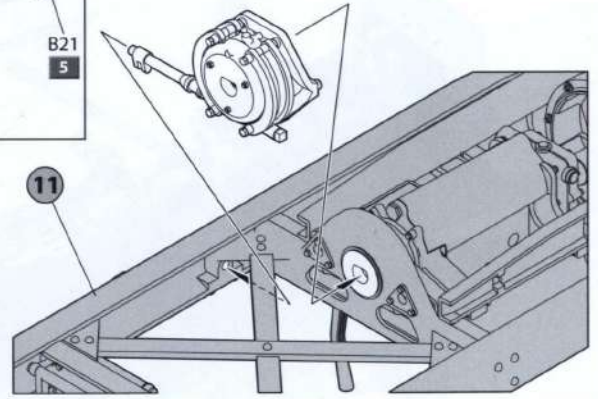


8

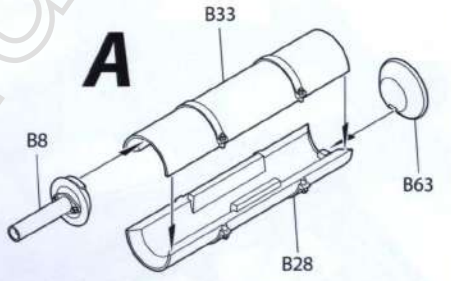
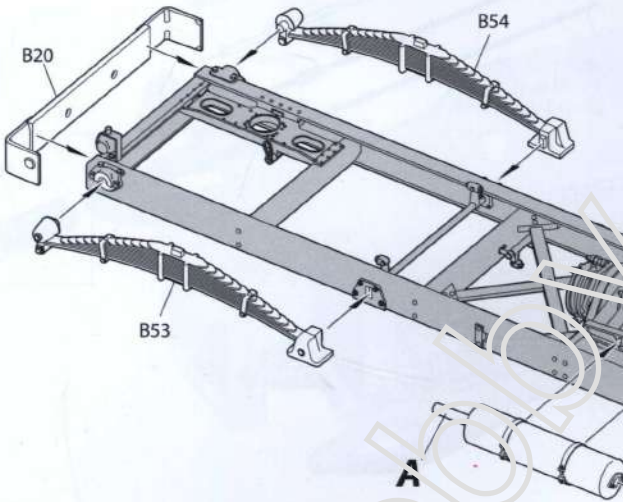
11



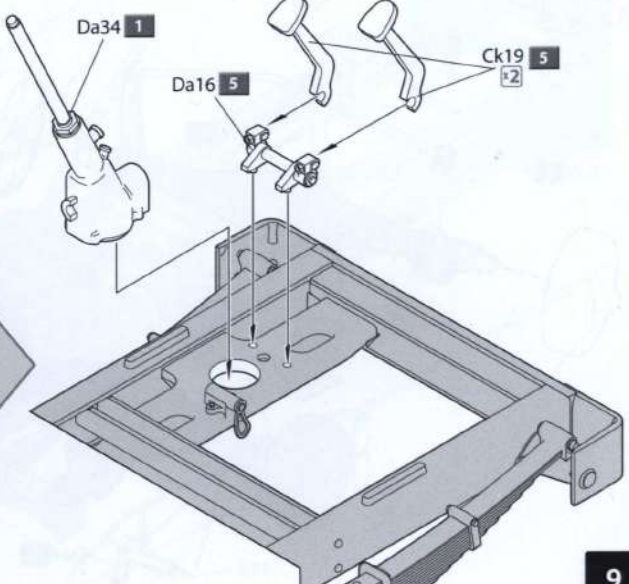
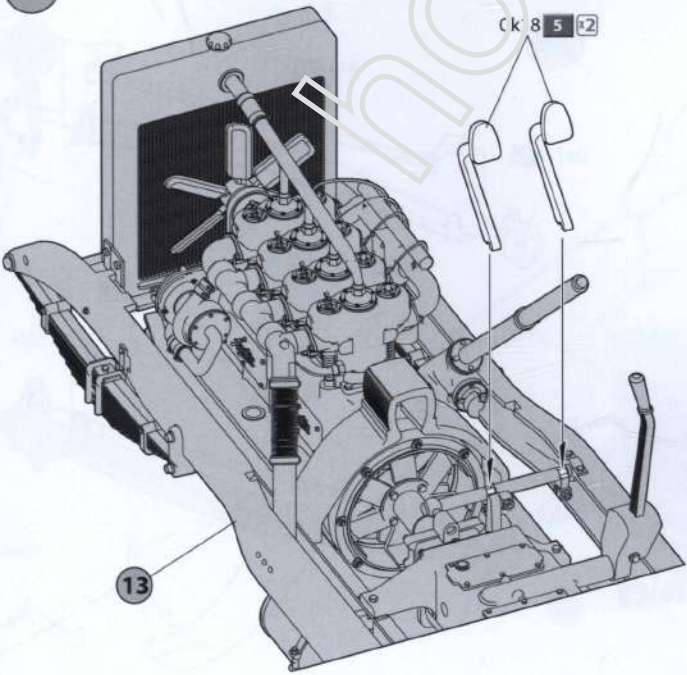
12



13

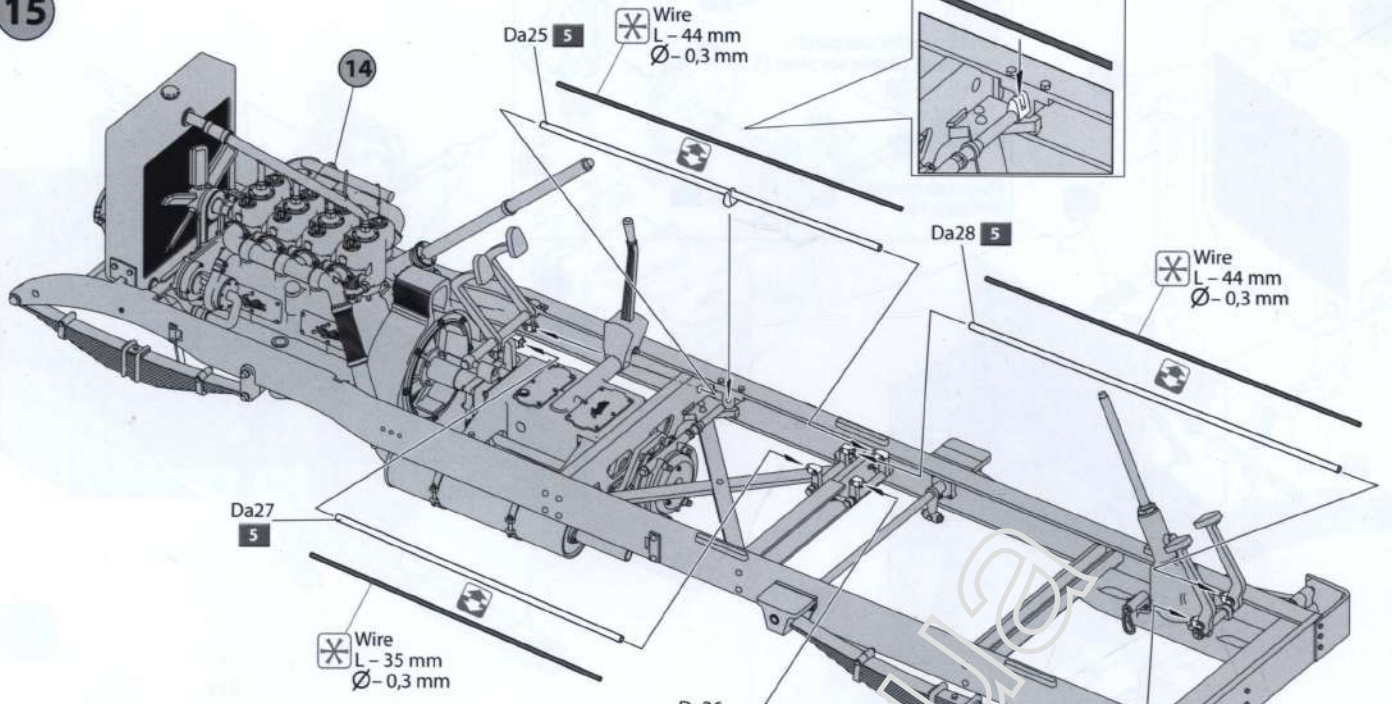


14

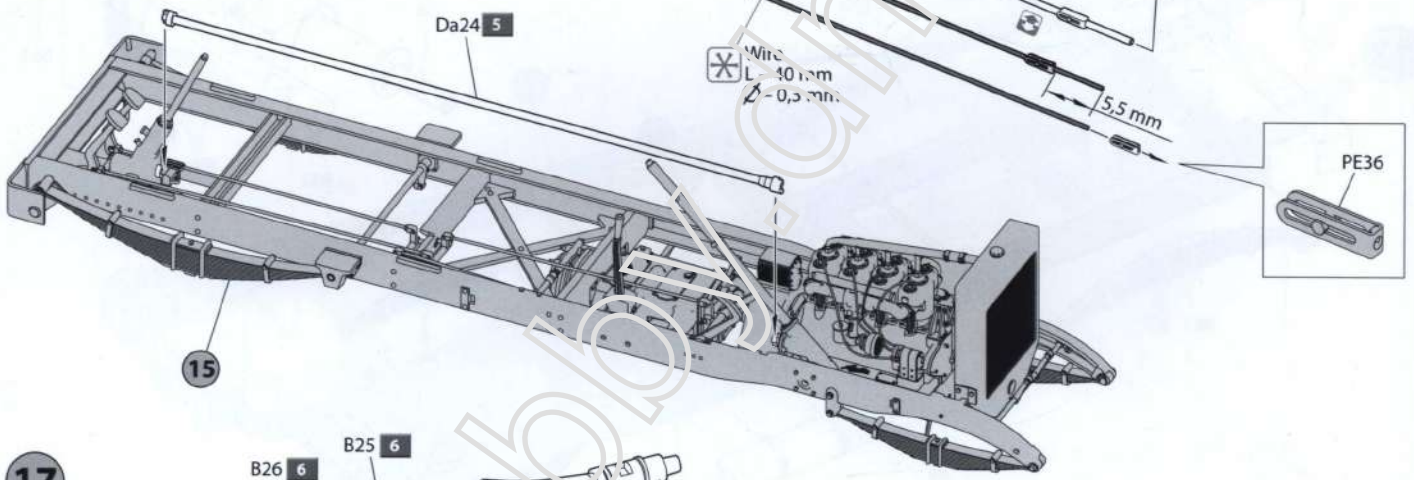


9

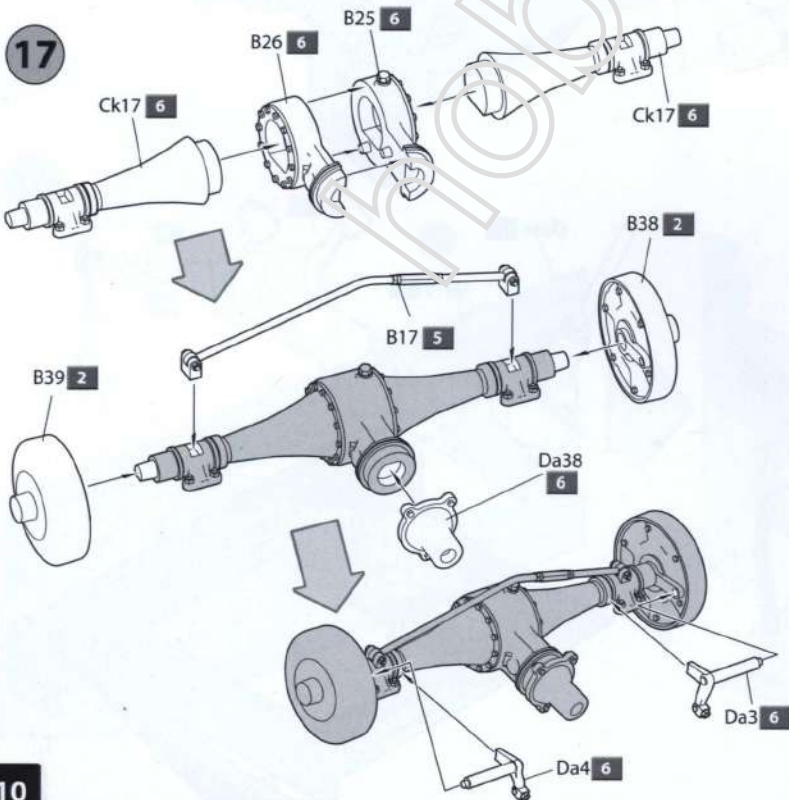
15



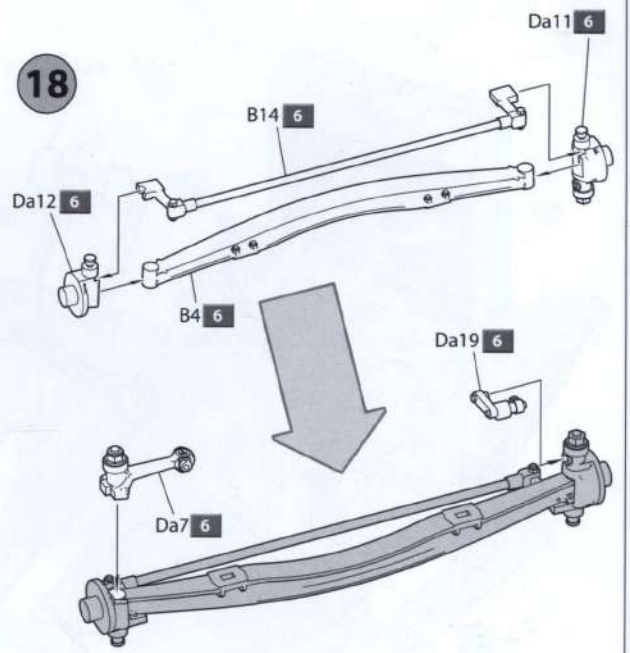
16



17

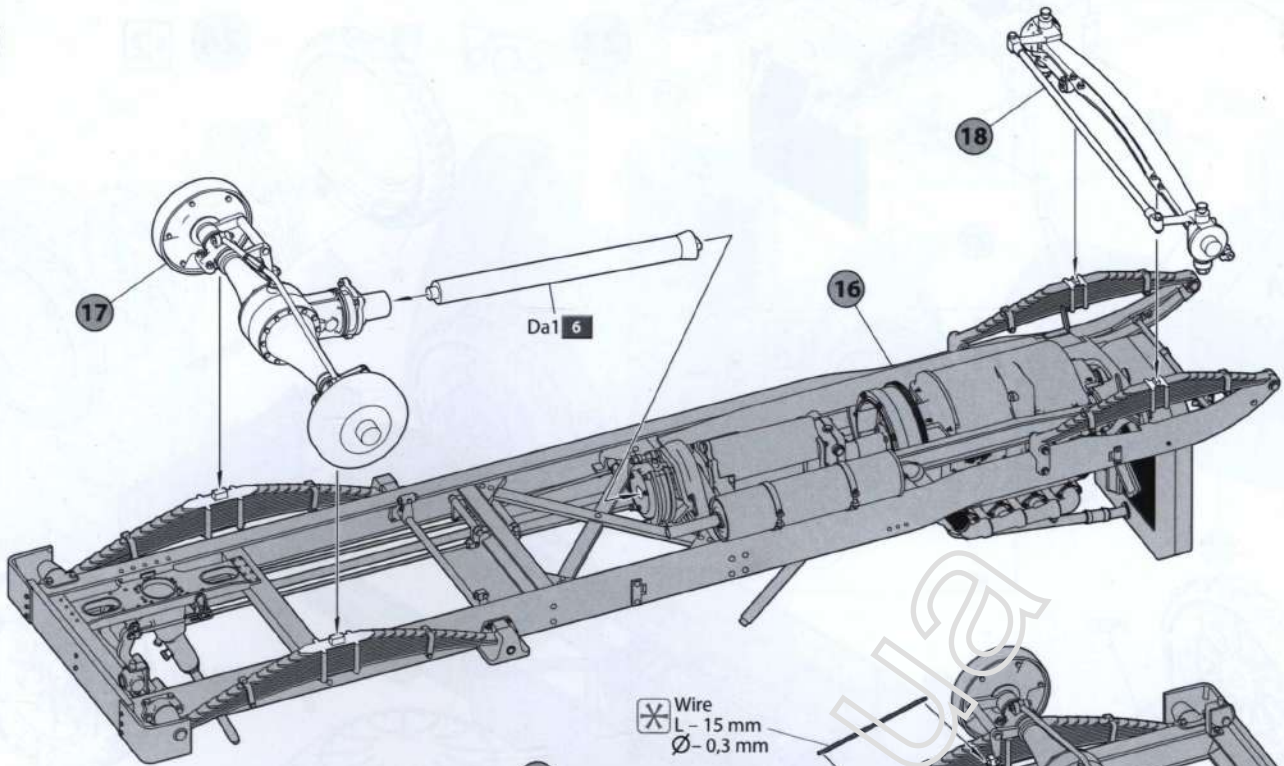


18

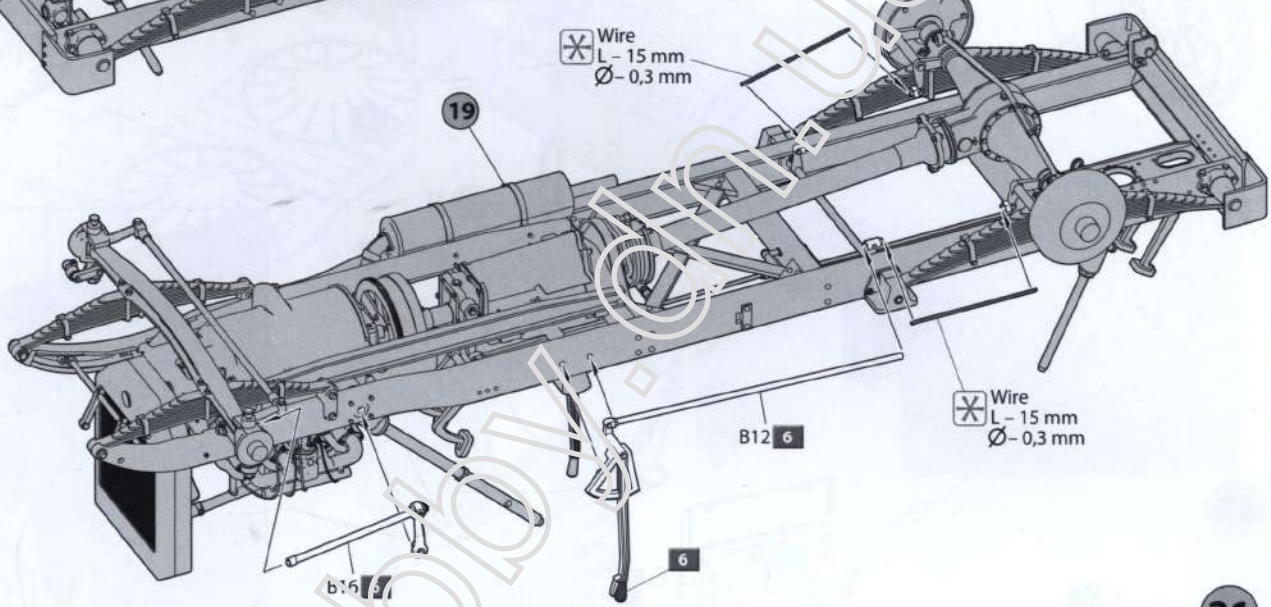


10

19

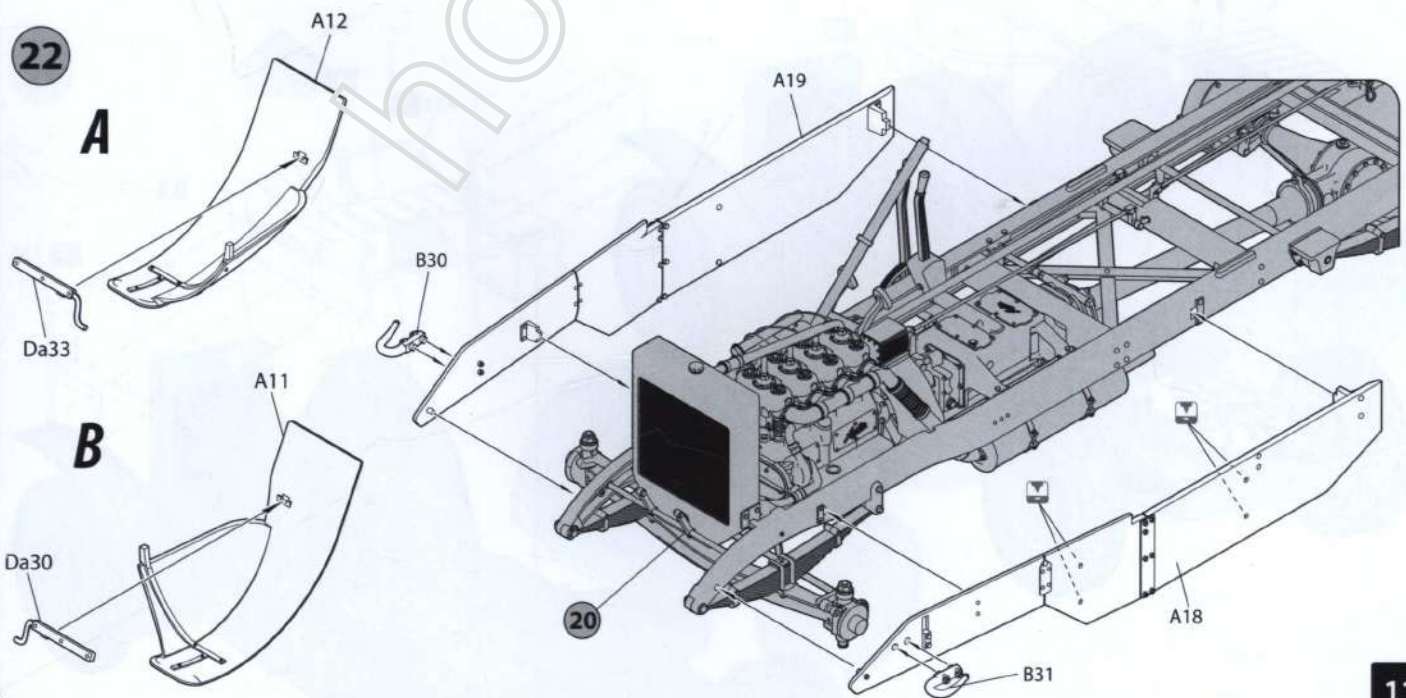


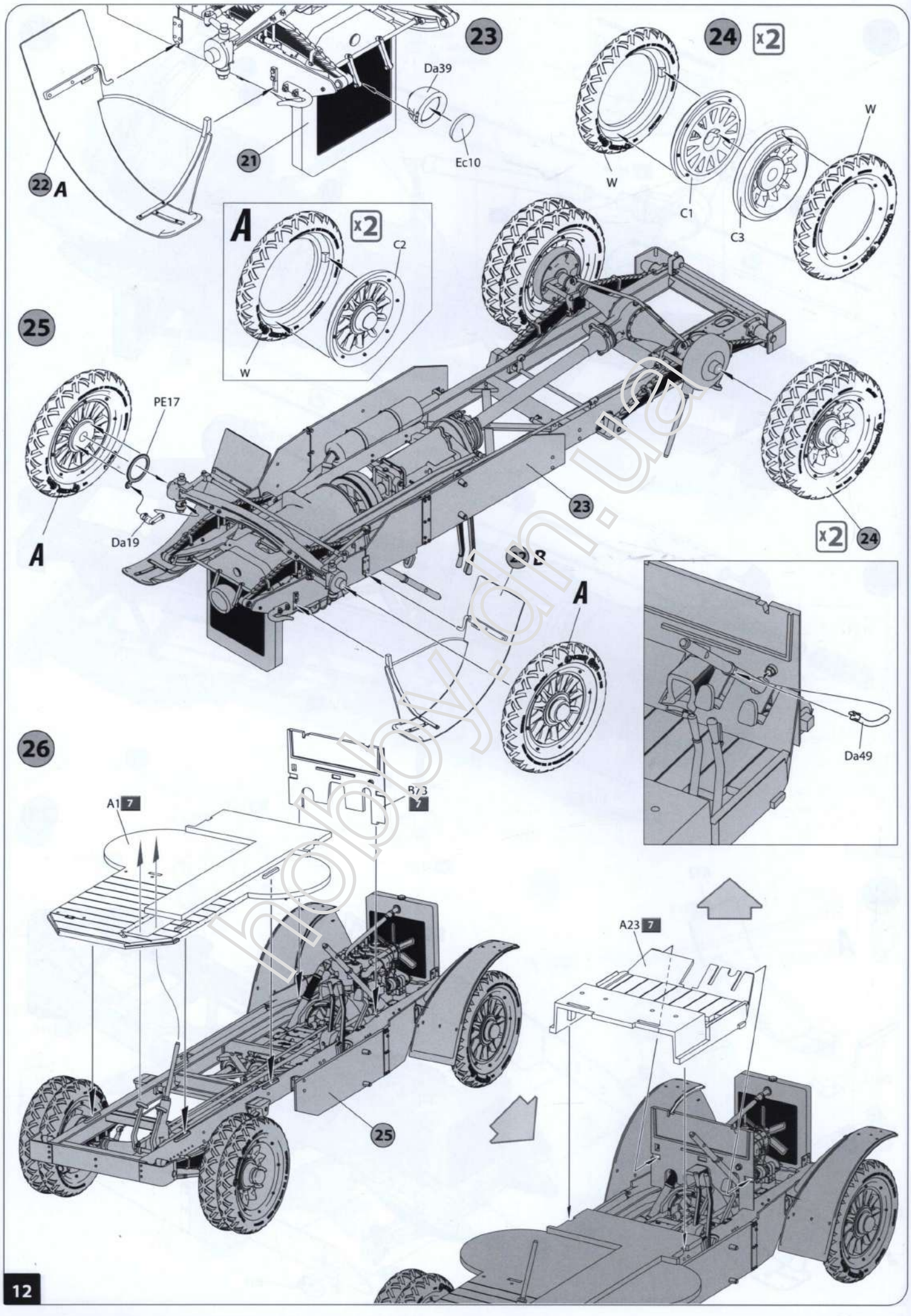
20



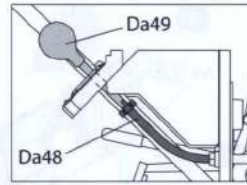
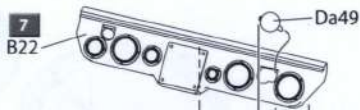
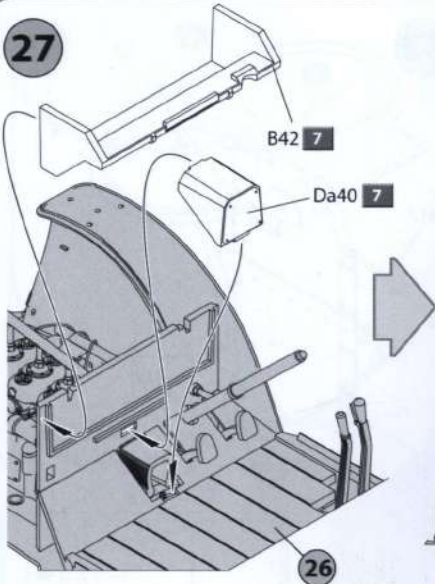
21

22

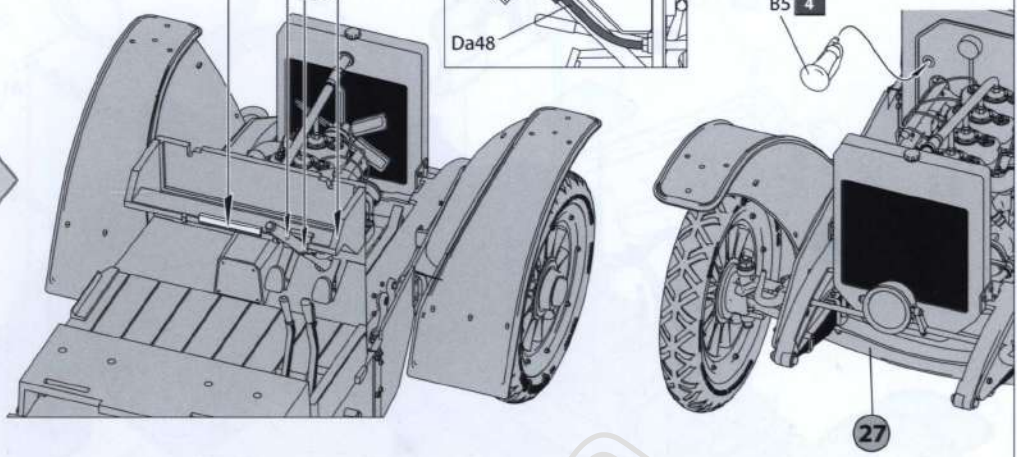




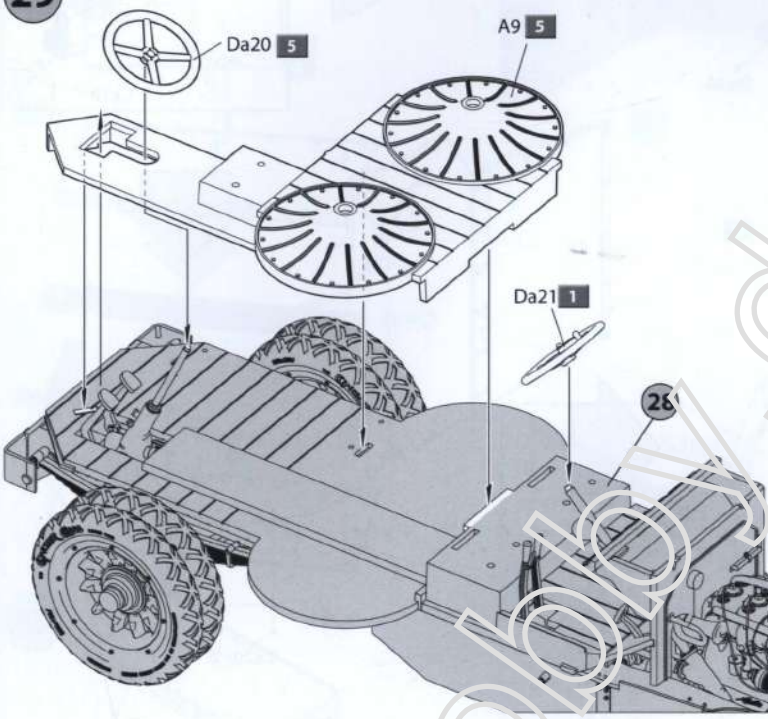
27



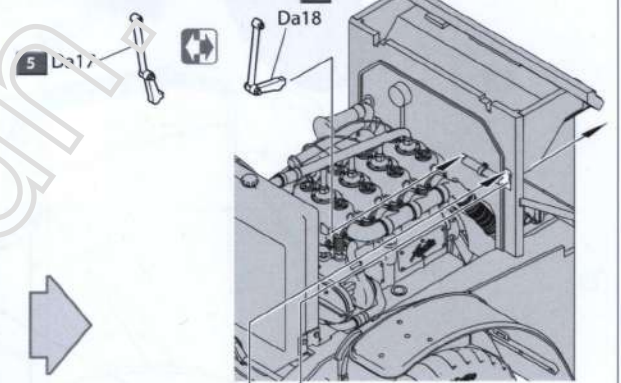
28



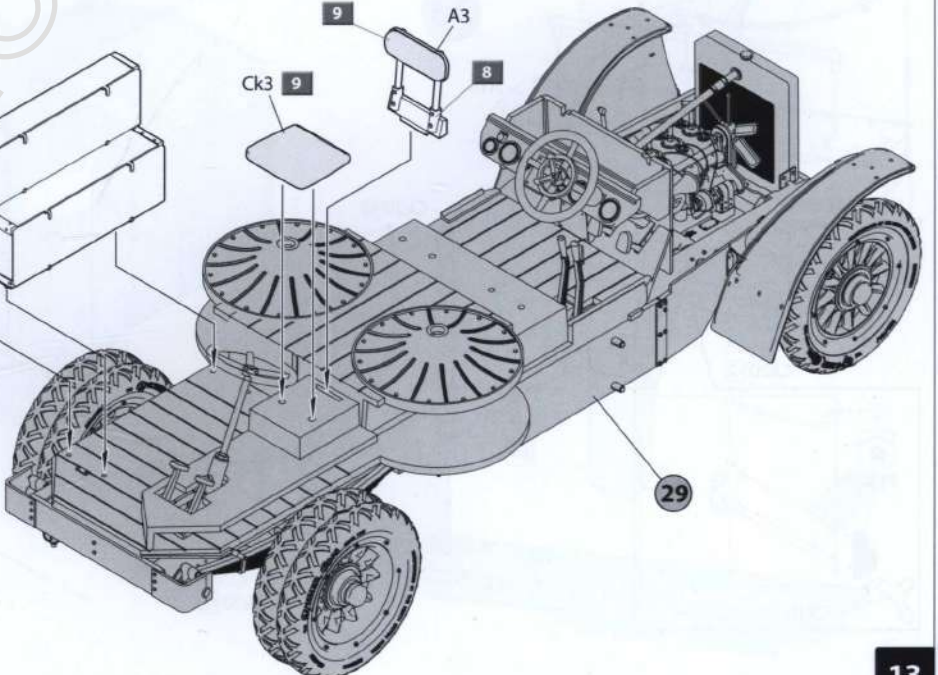
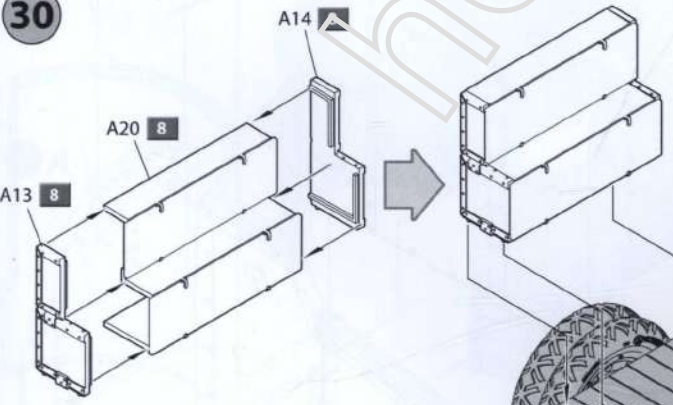
29



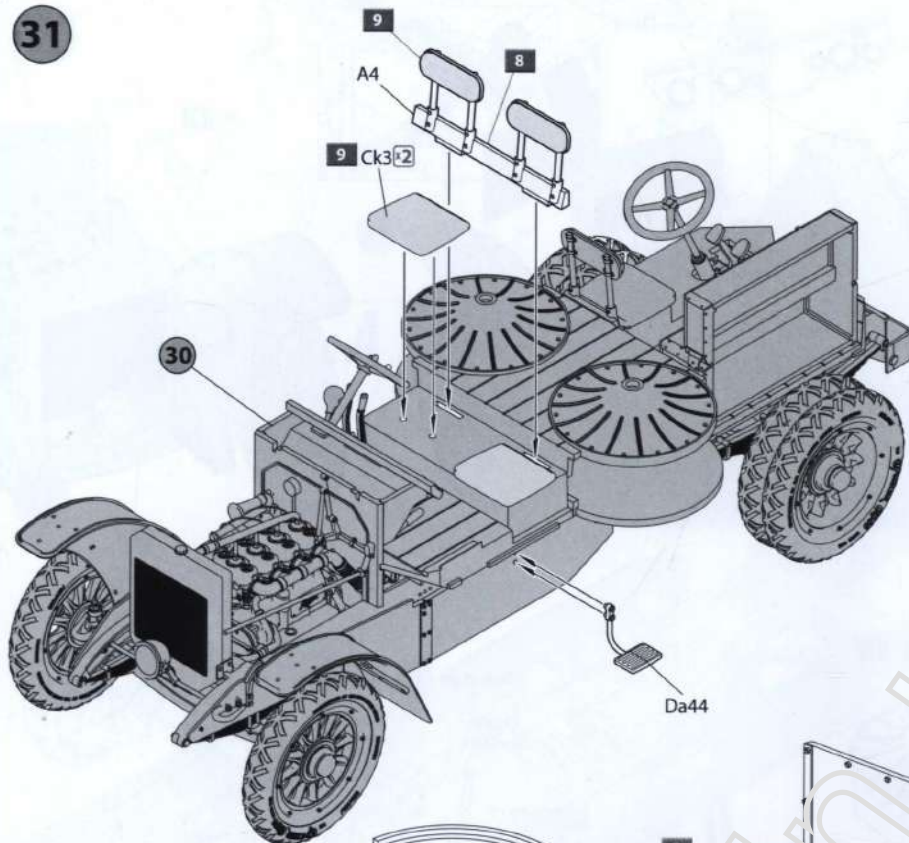
See step 52 for choice
 Open variant Closed variant



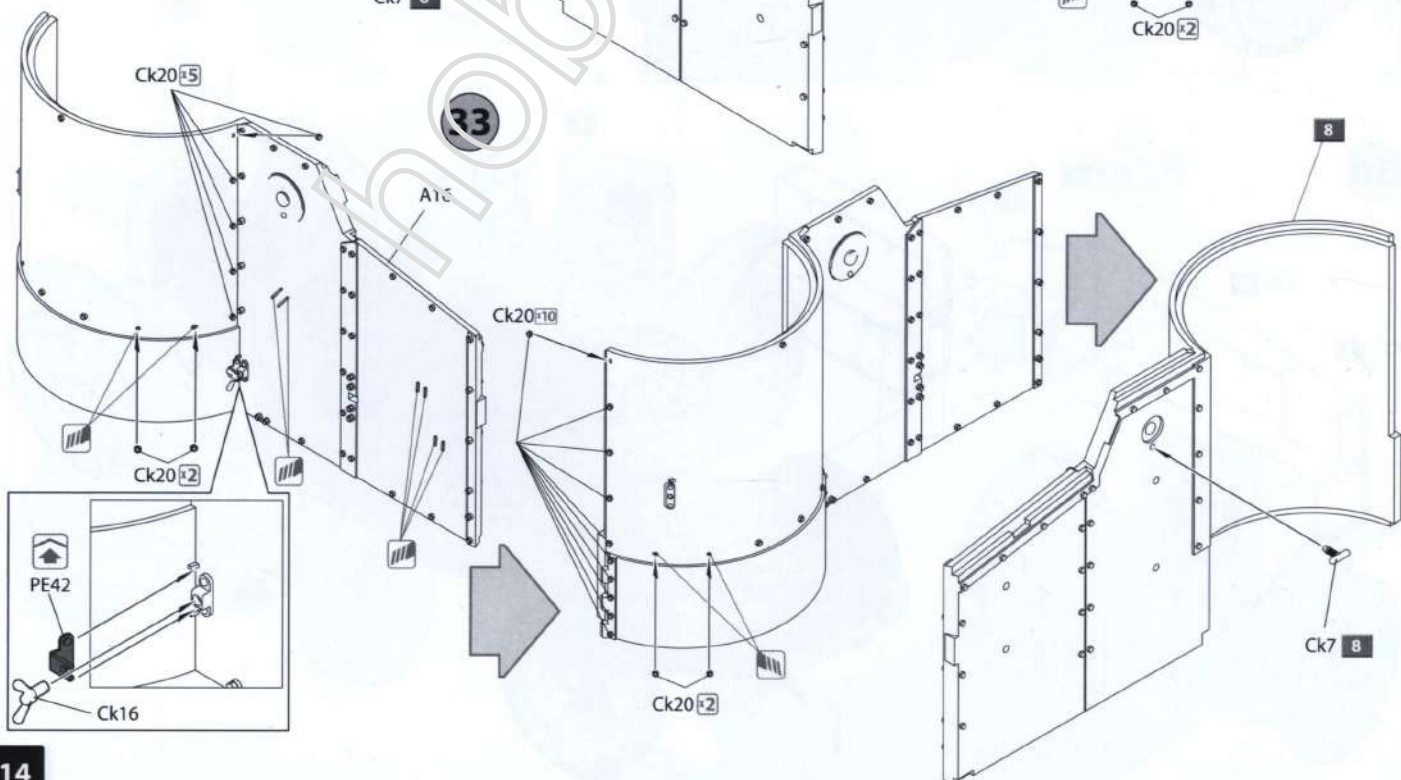
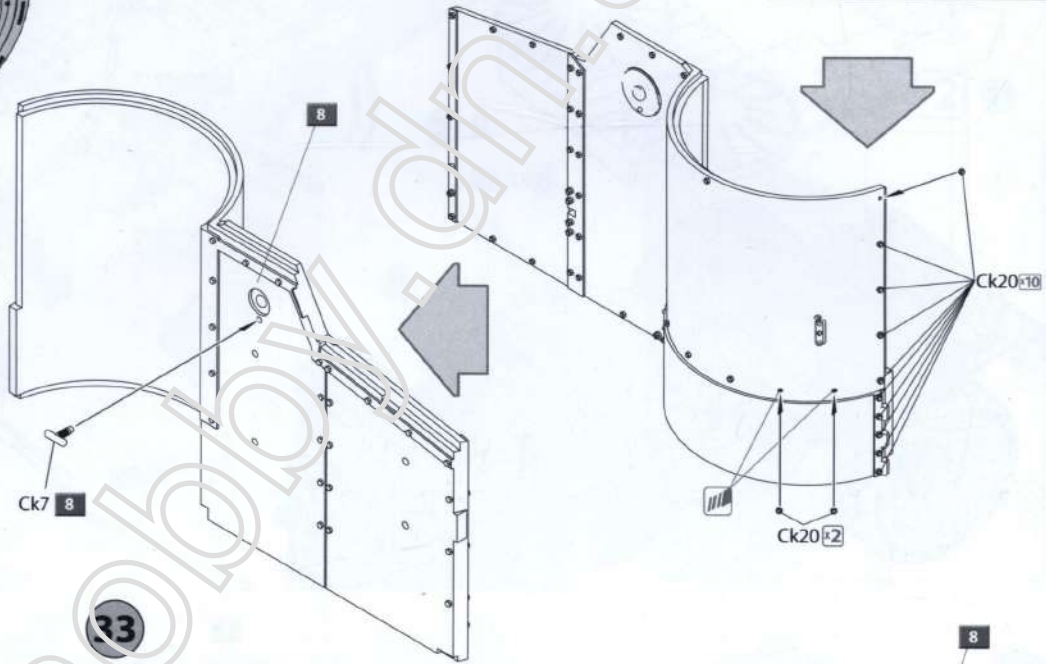
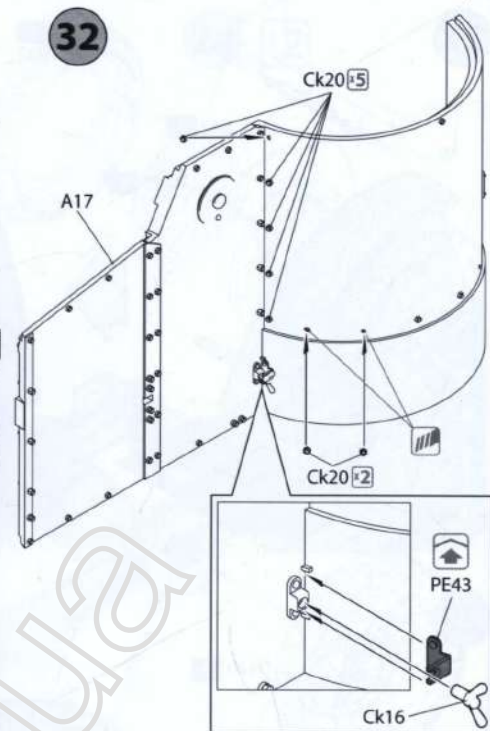
30

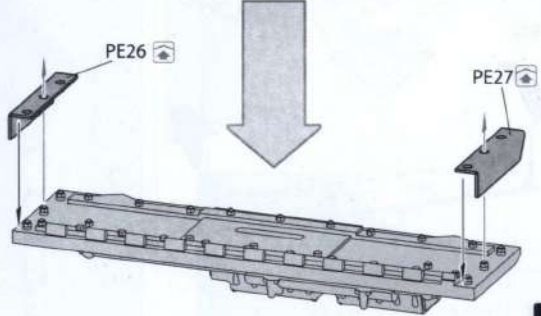
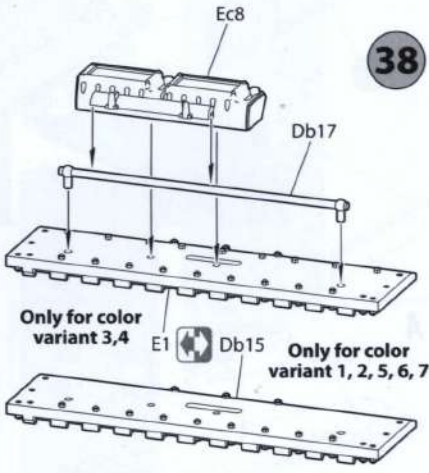
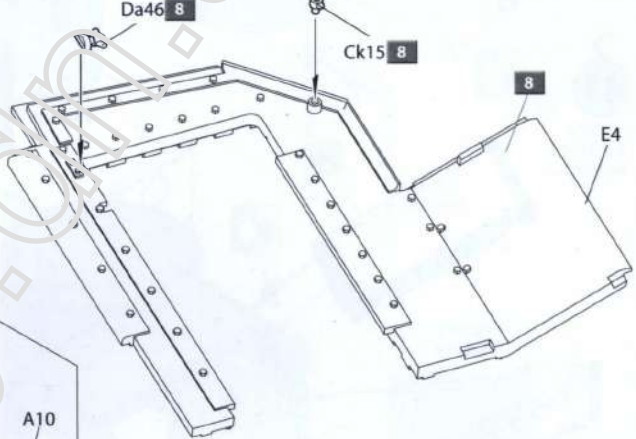
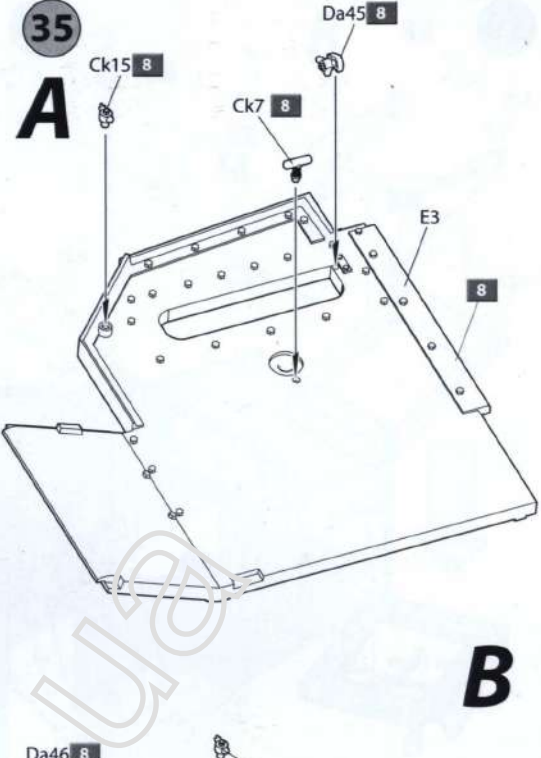
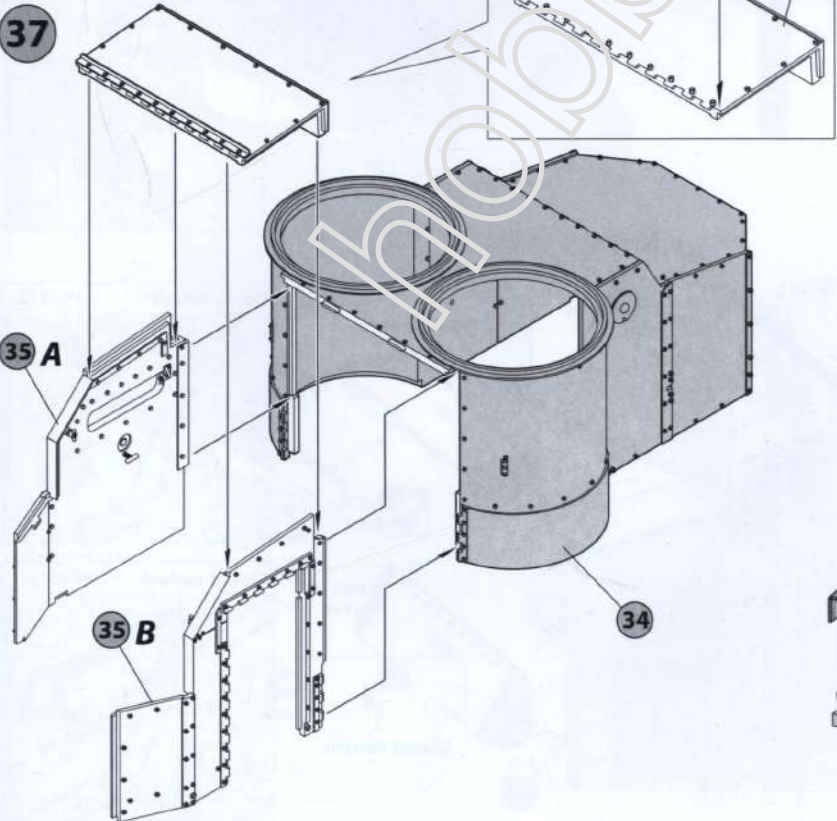
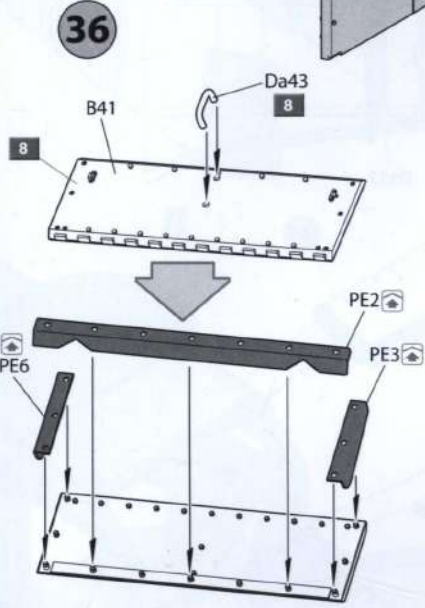
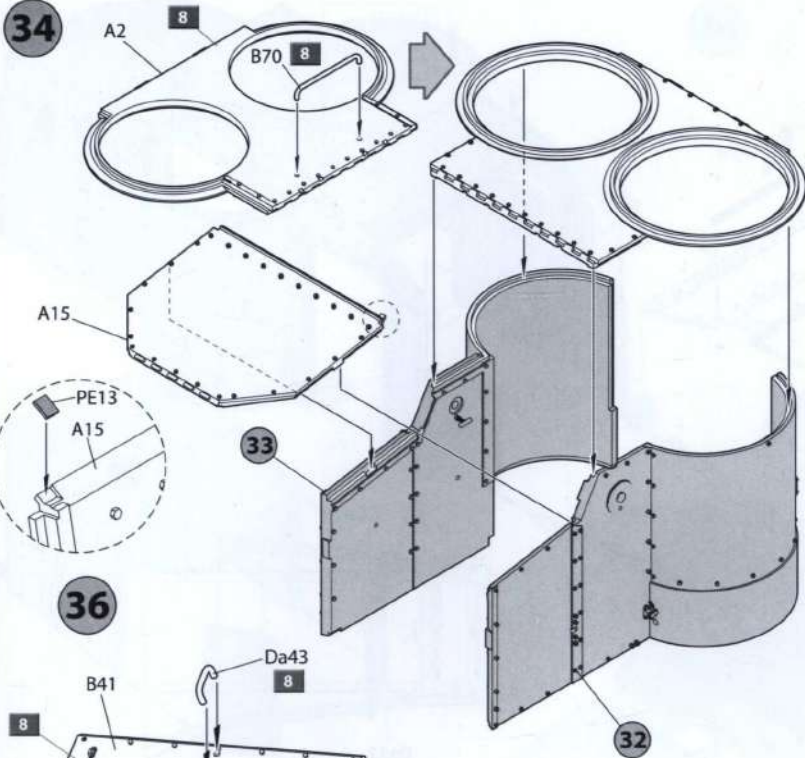


31

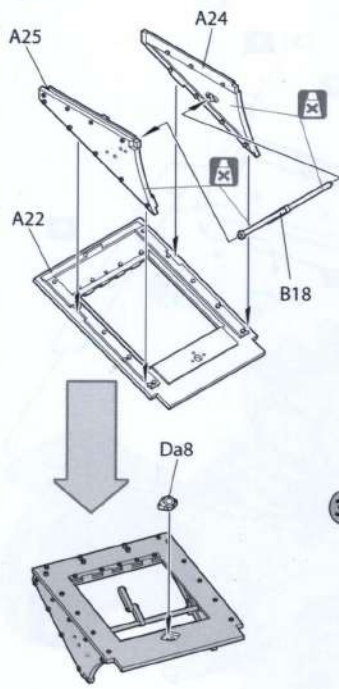


32

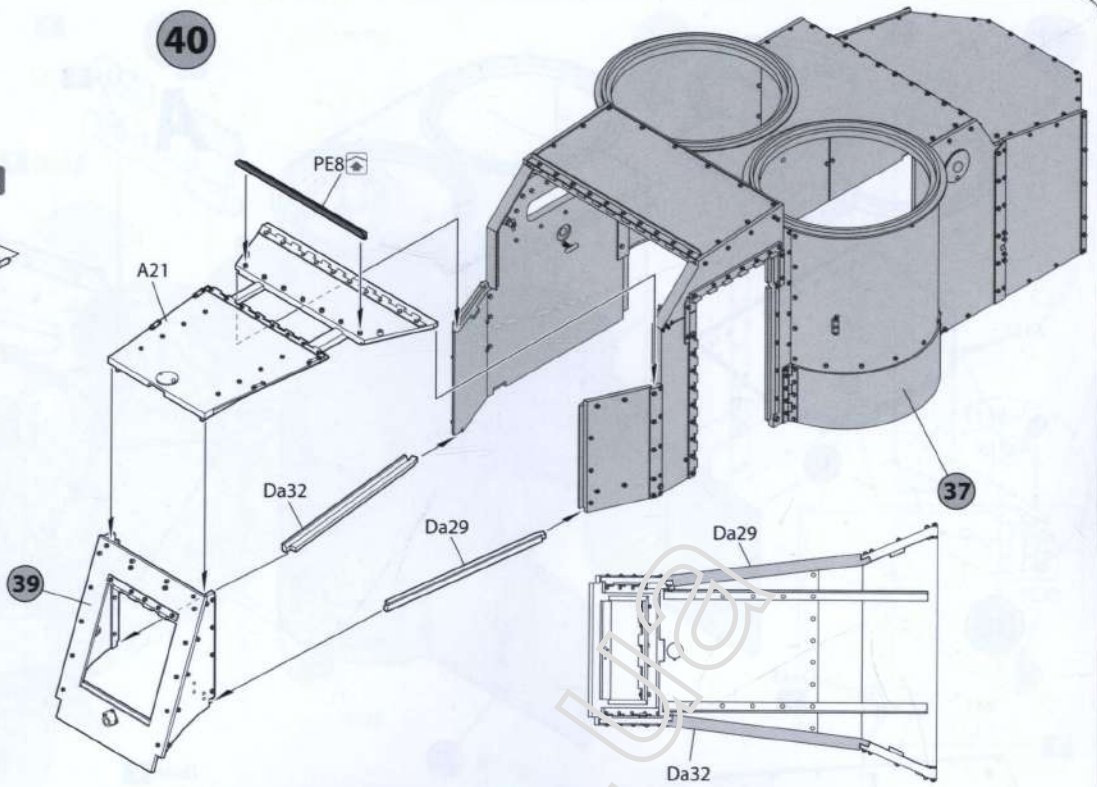




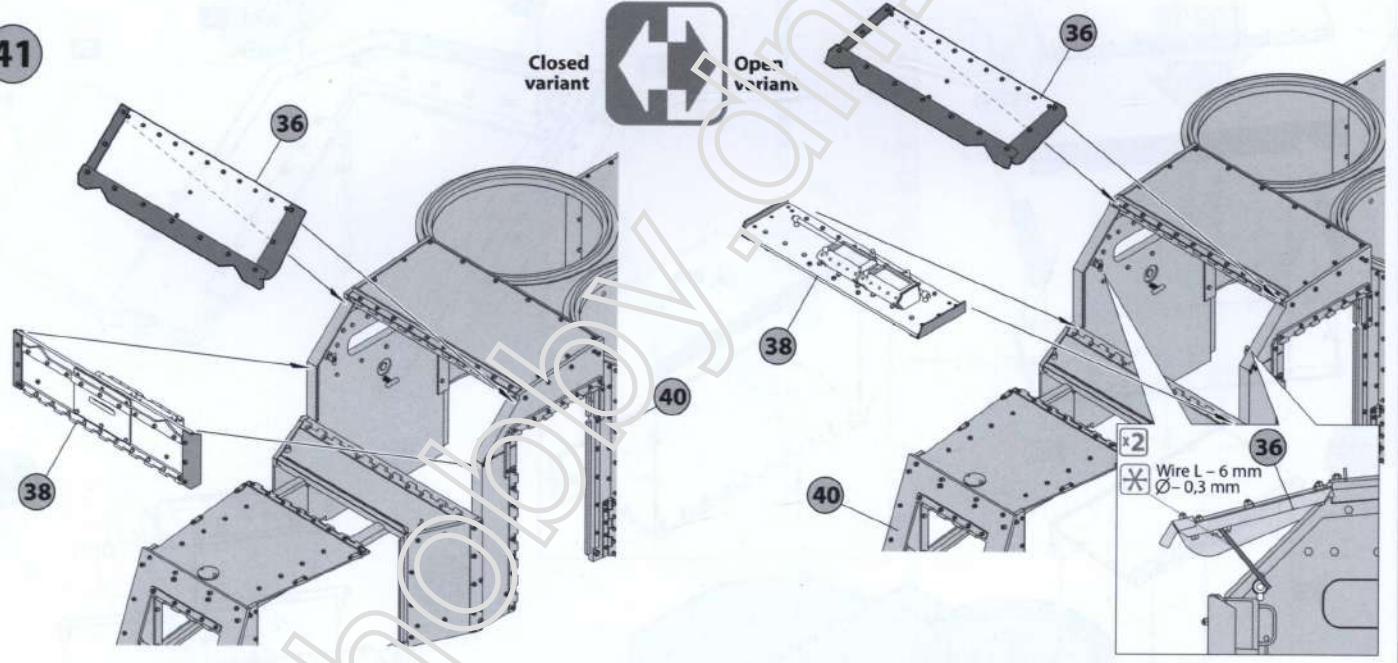
39



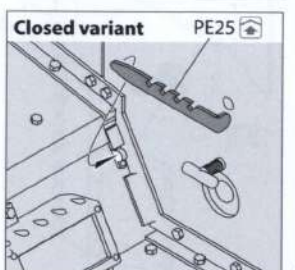
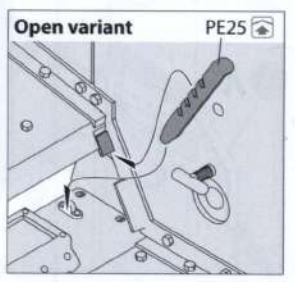
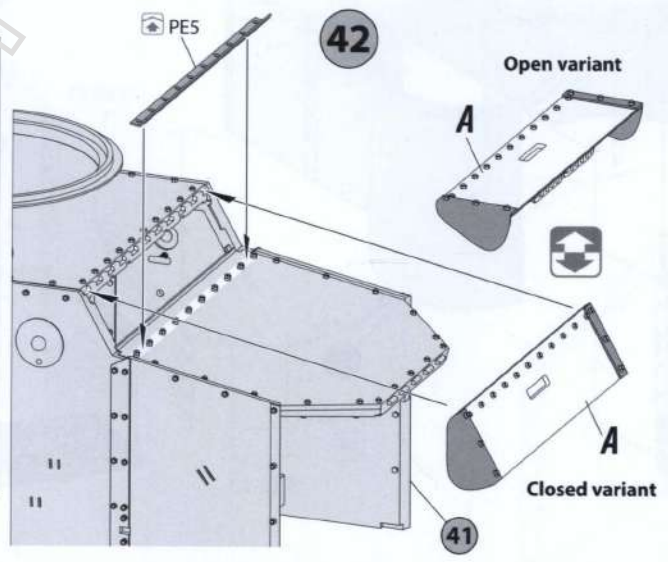
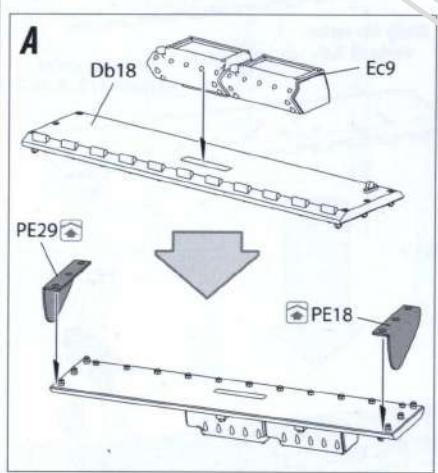
40

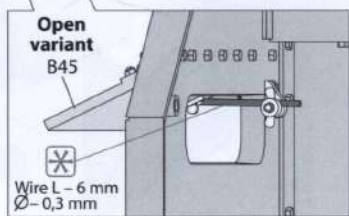
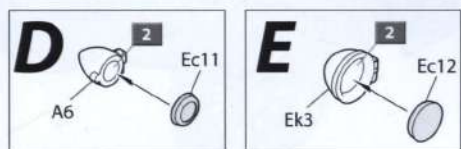
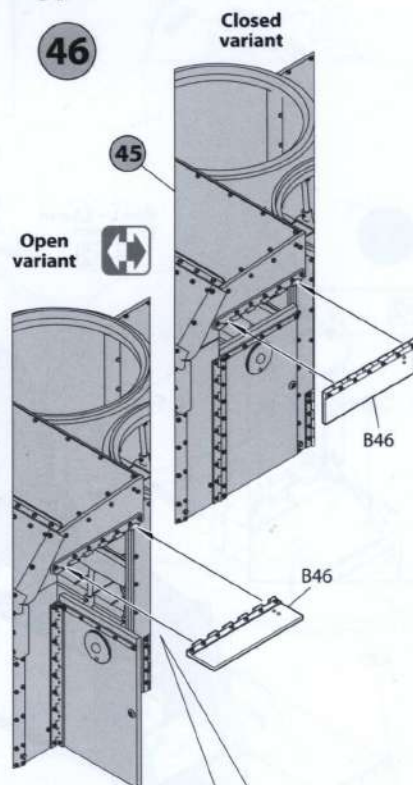
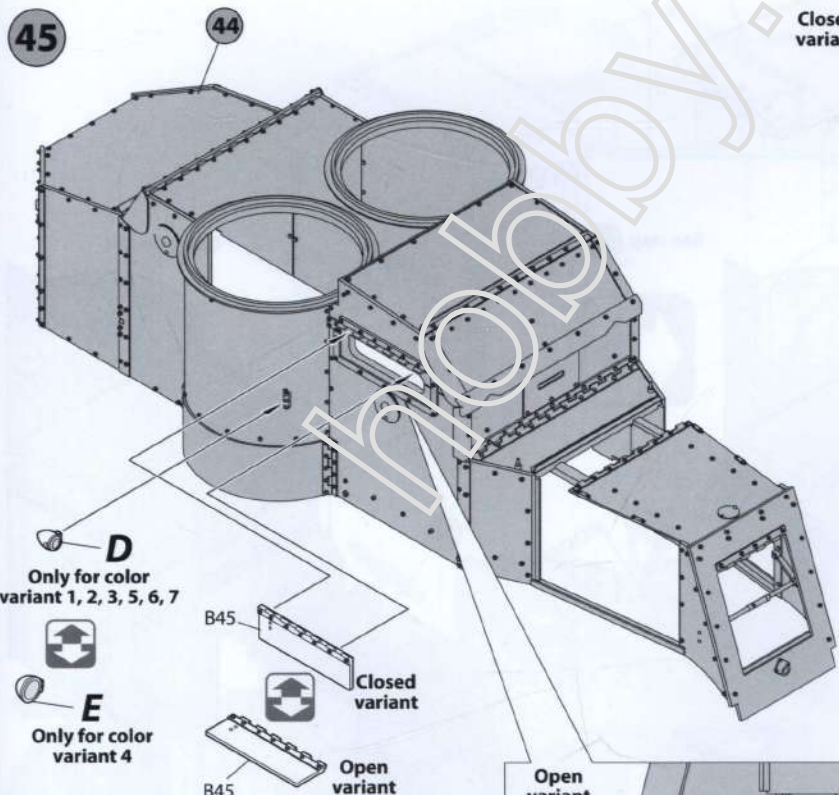
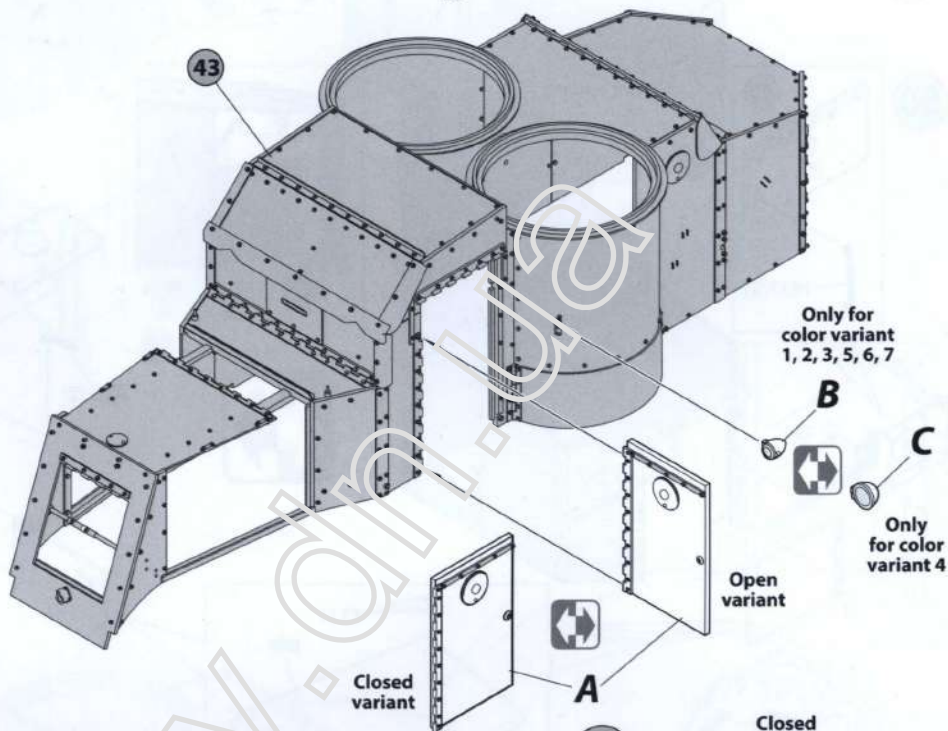
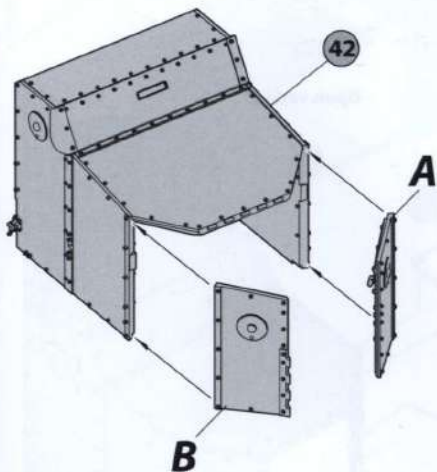
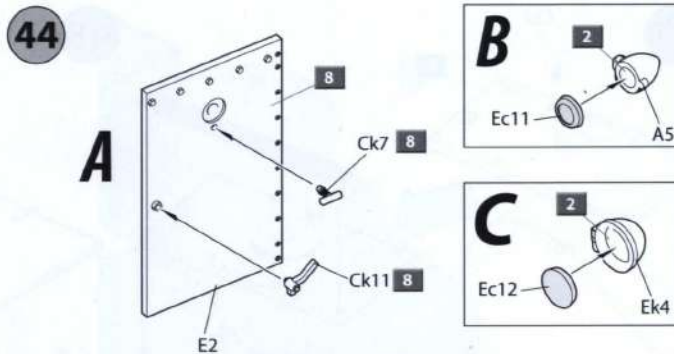
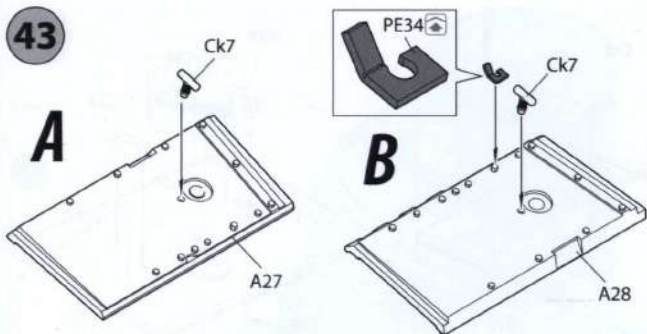


41

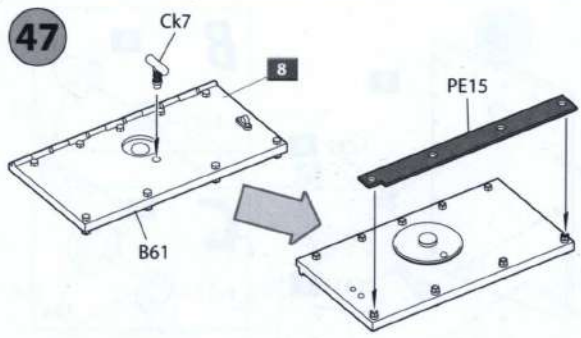


42

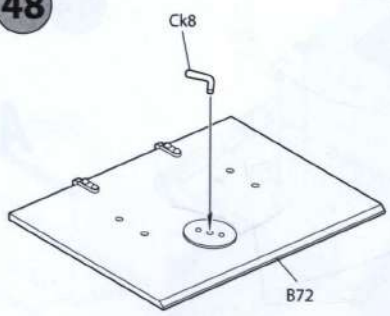




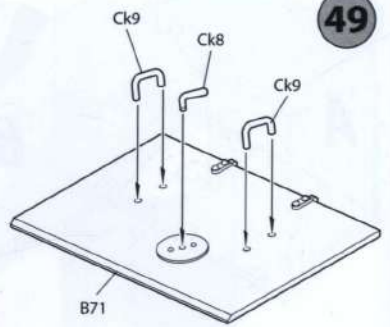
47



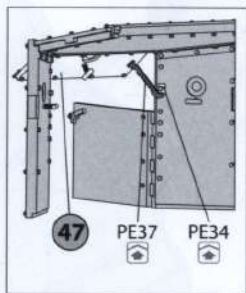
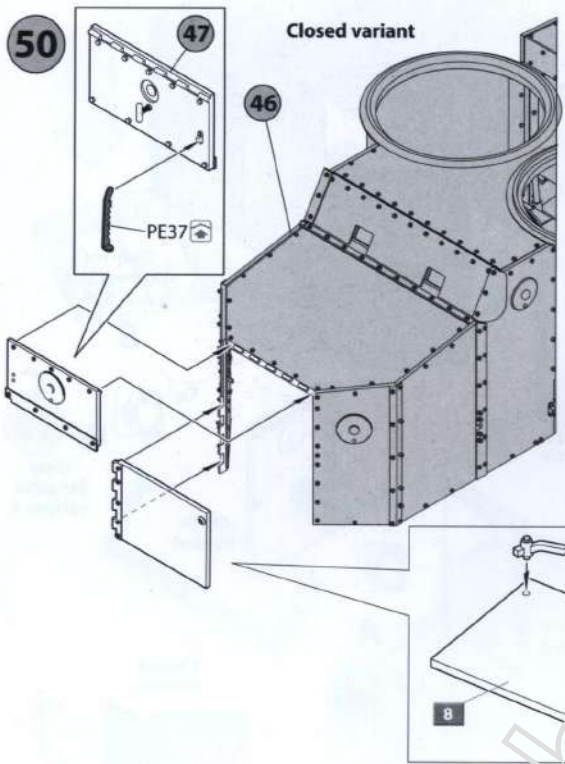
48



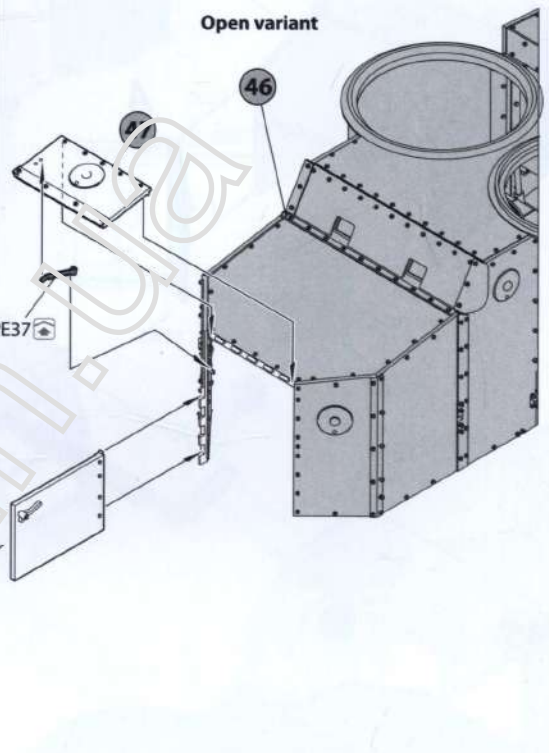
49



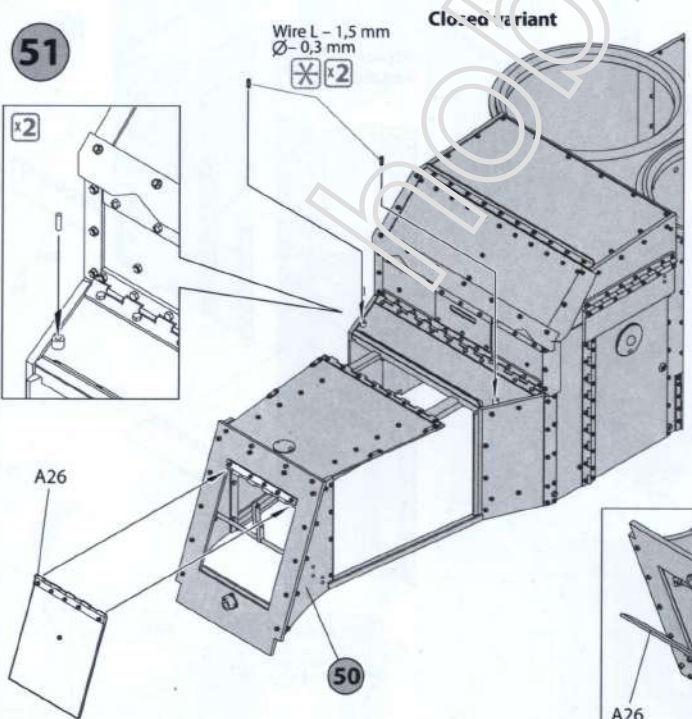
50



Open variant



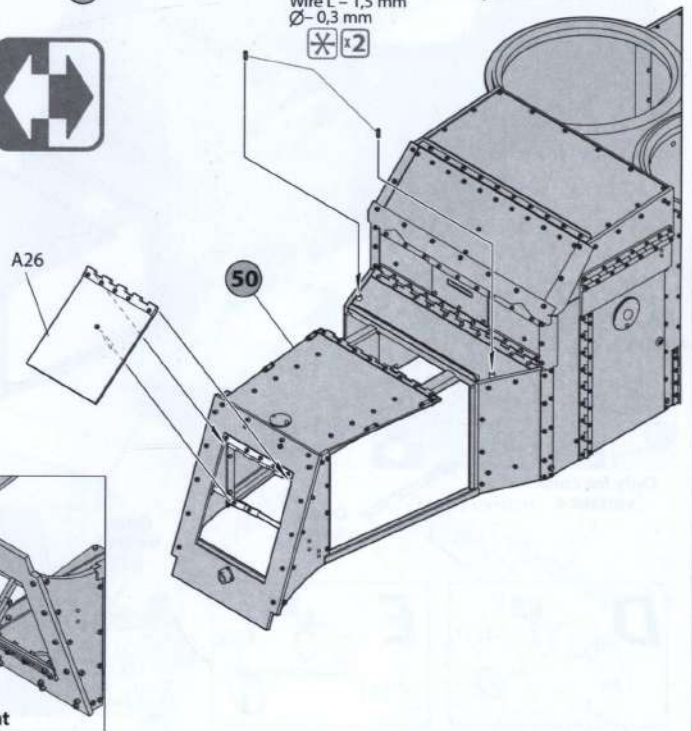
51



See step 55

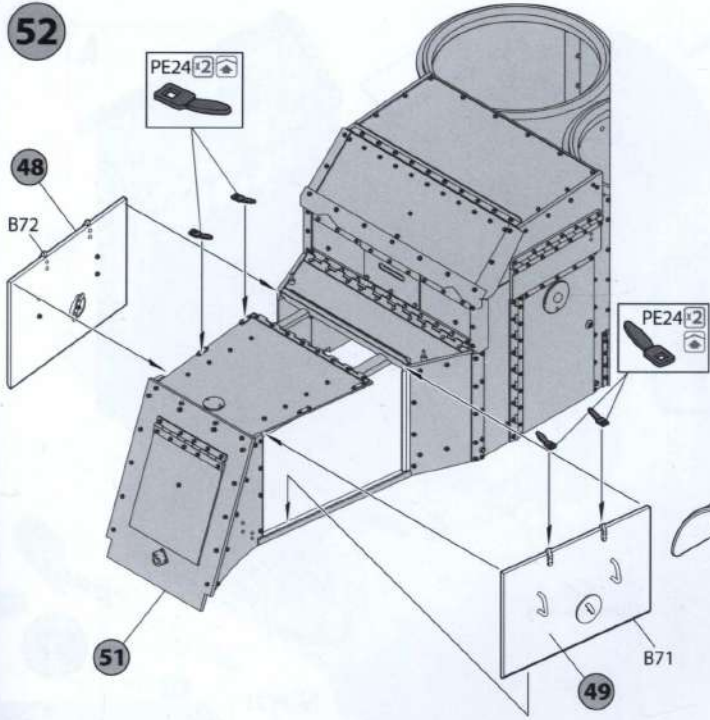


Open variant

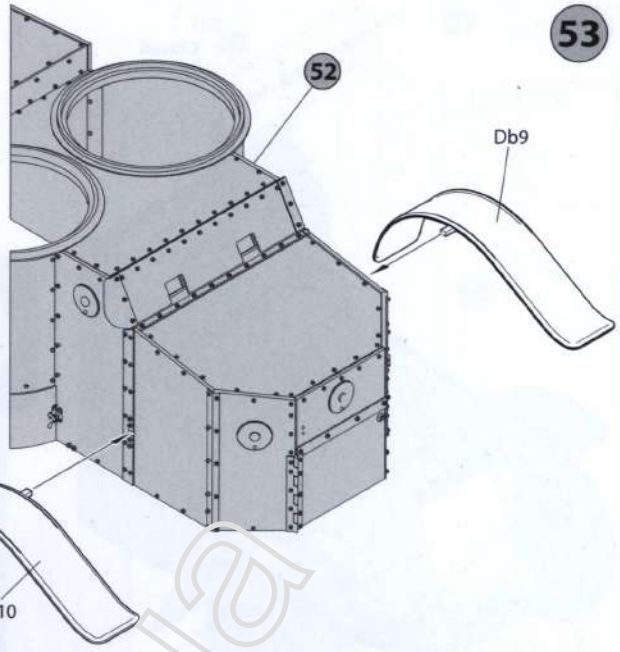


Open variant

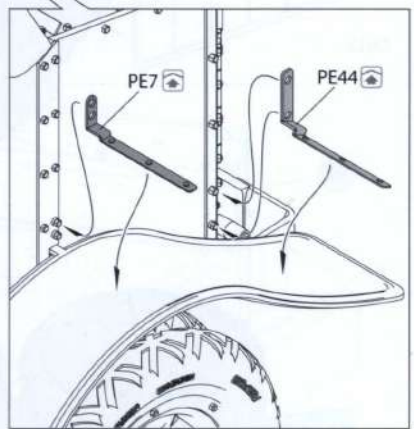
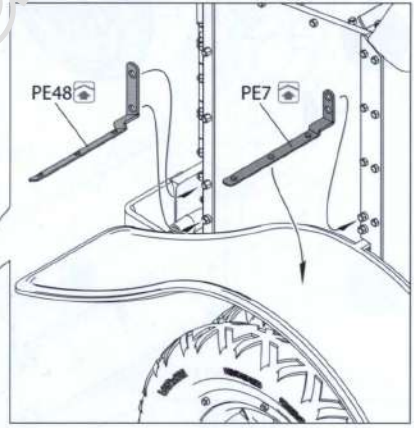
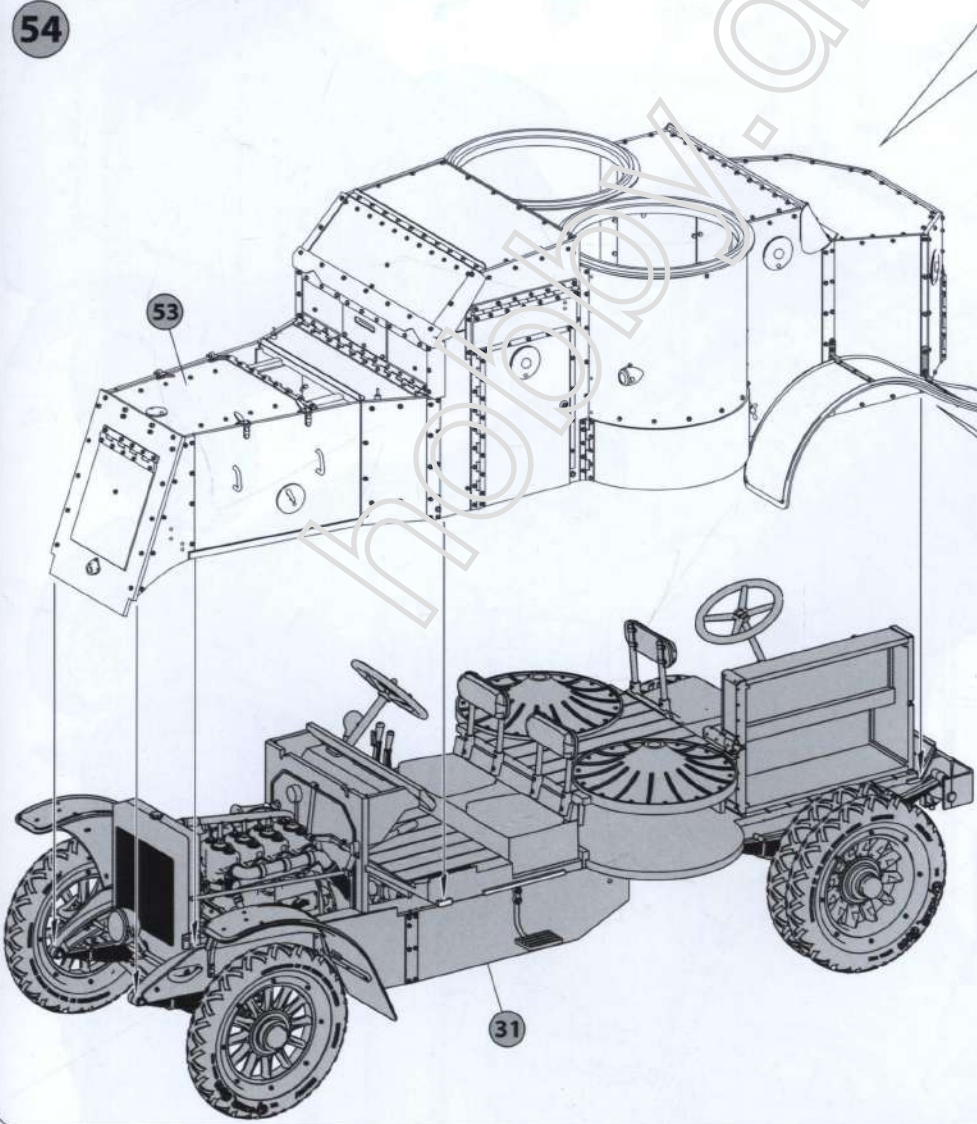
52



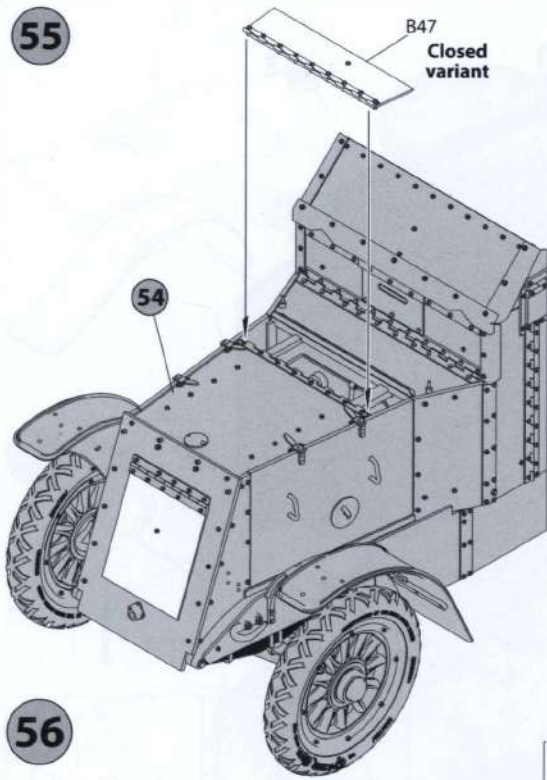
53



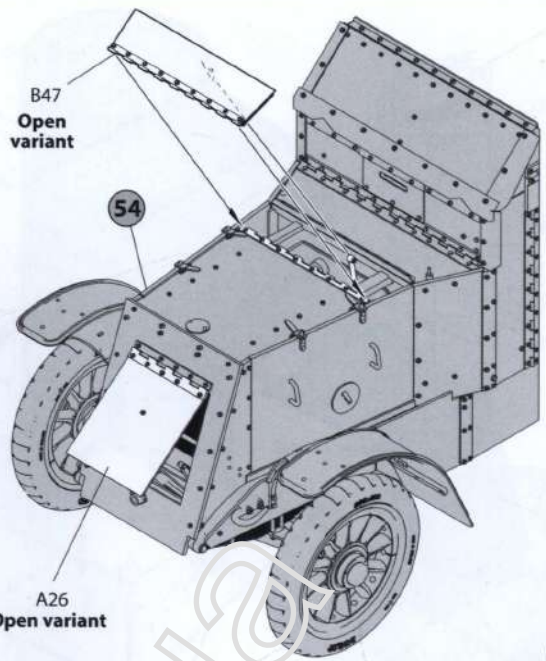
54



55



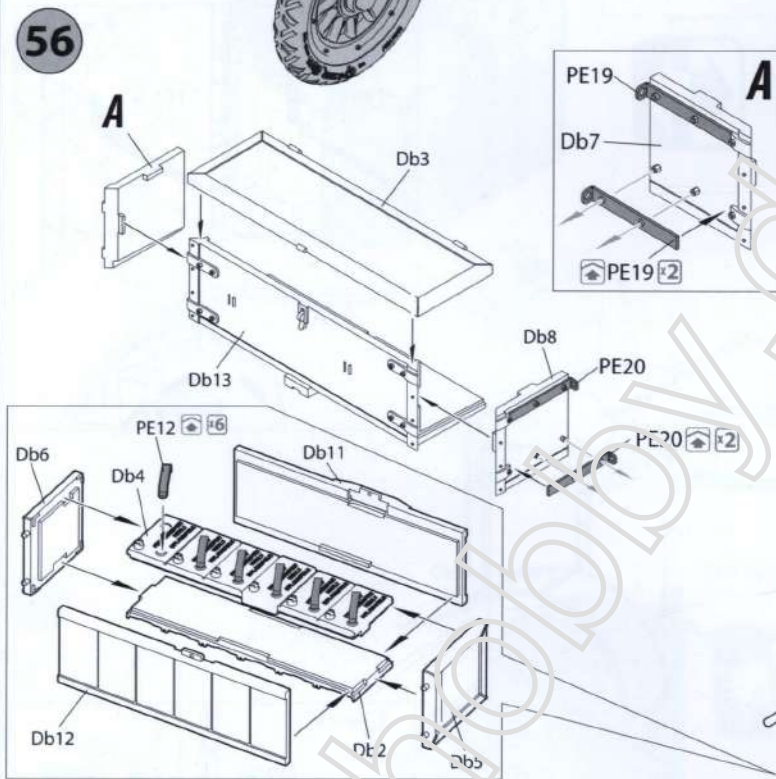
B47
Closed
variant



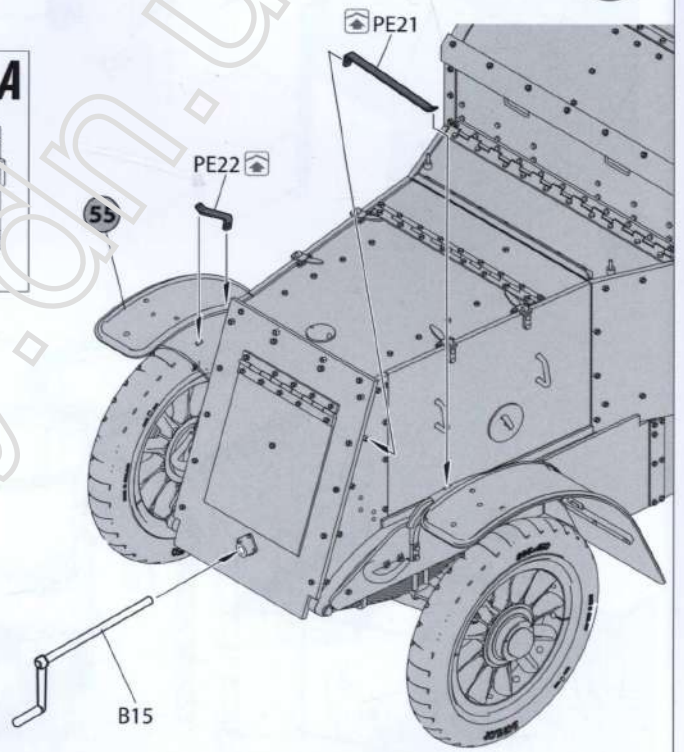
B47
Open
variant

A26
Open
variant

56



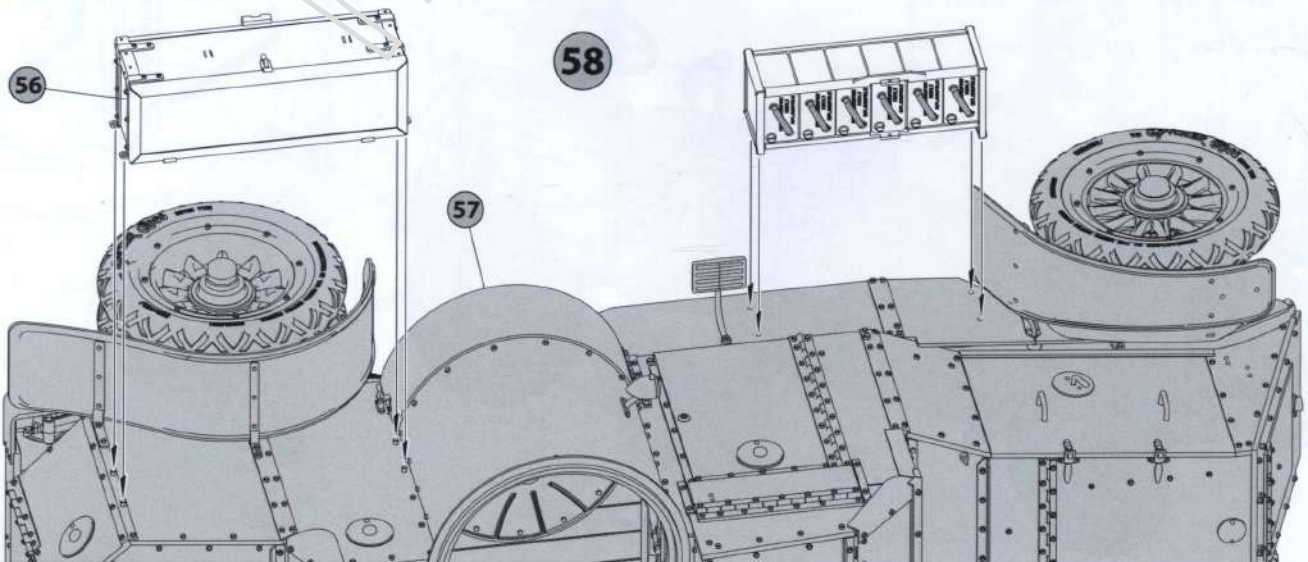
57



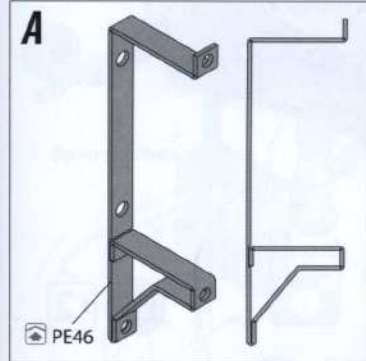
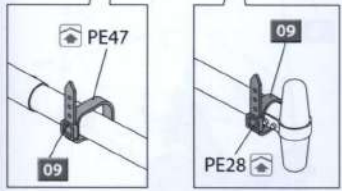
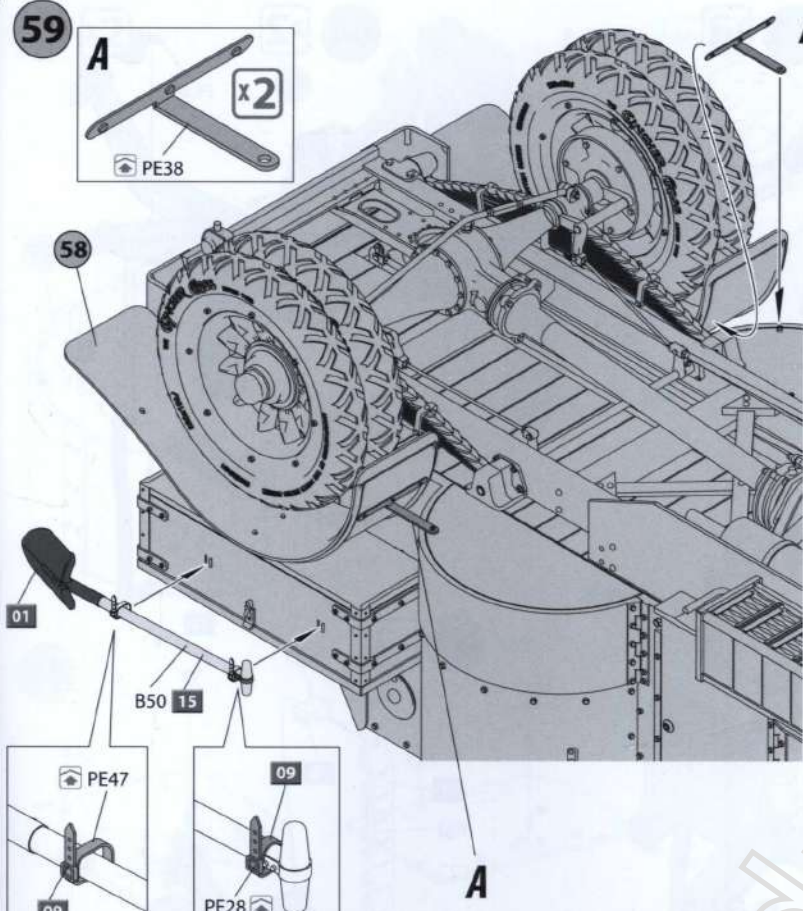
56

58

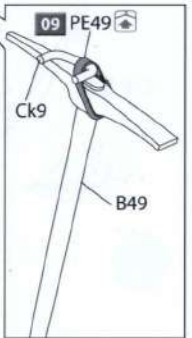
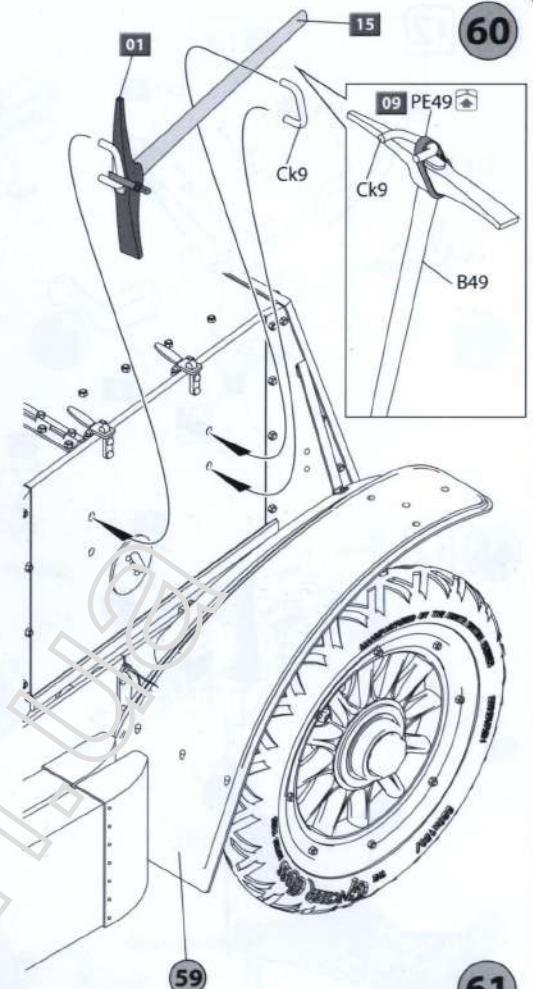
57



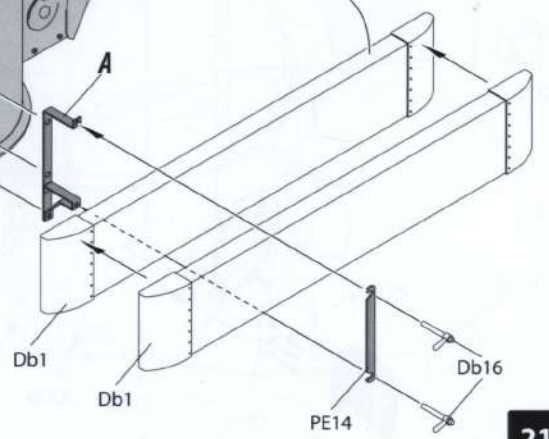
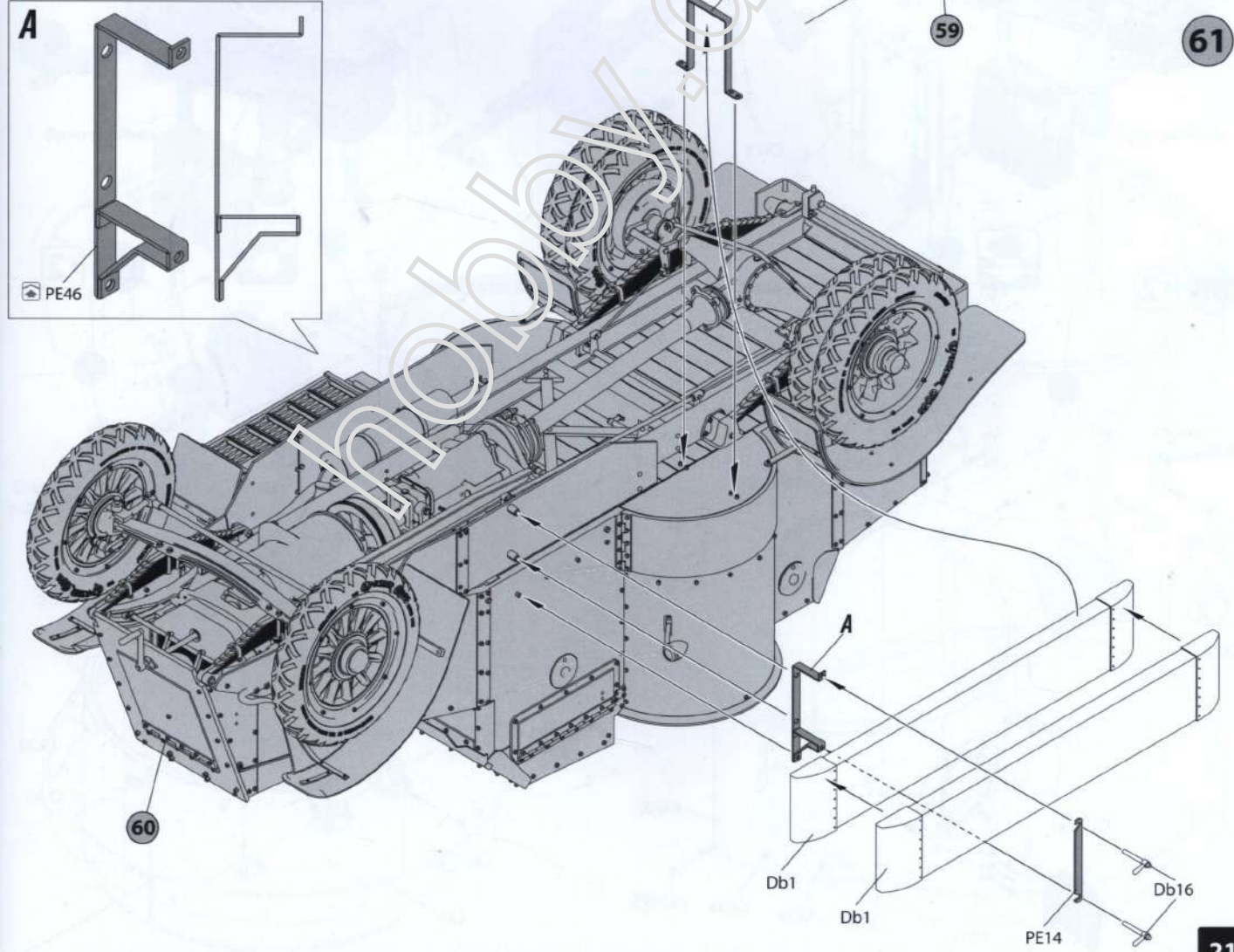
59



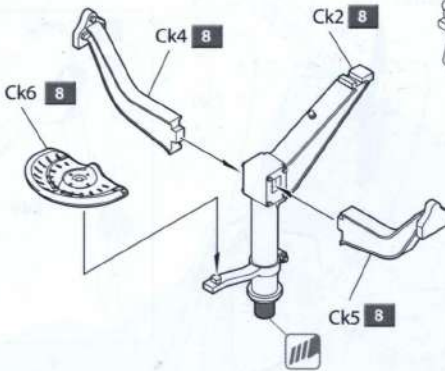
60



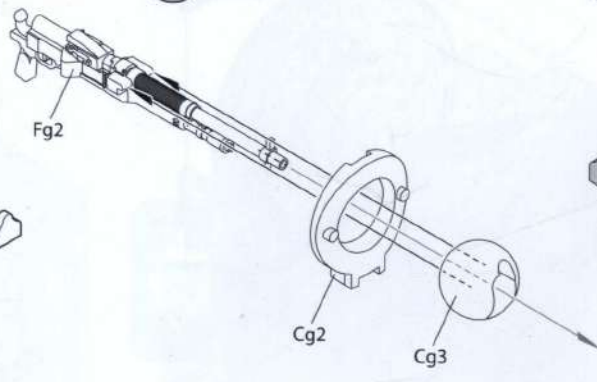
61



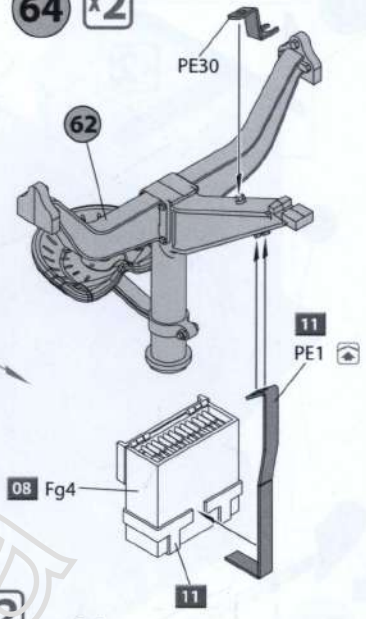
62 x2



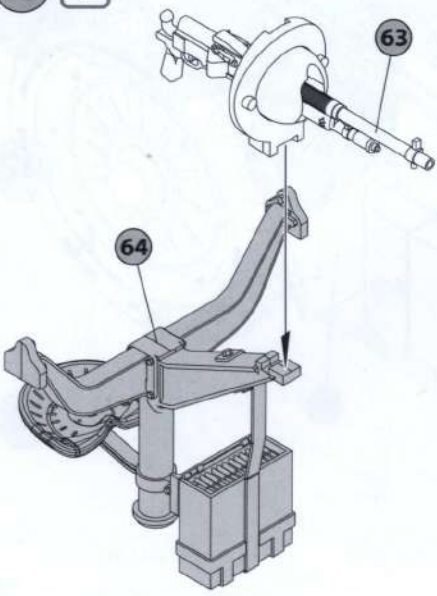
63 x2



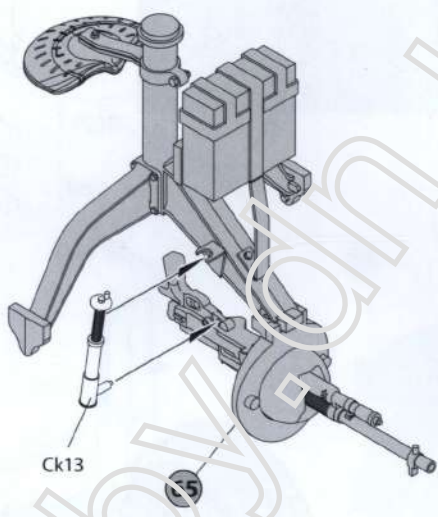
64 x2



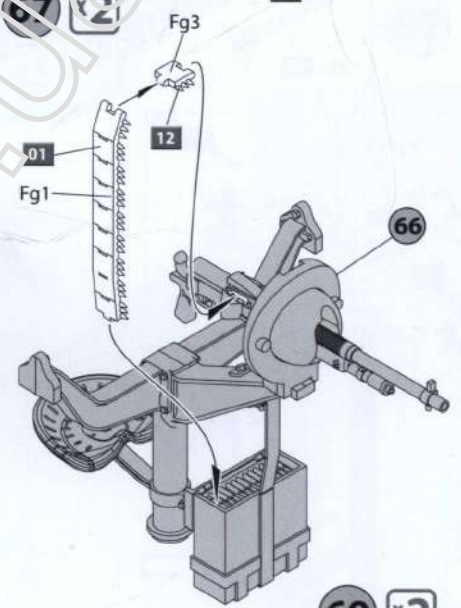
65 x2



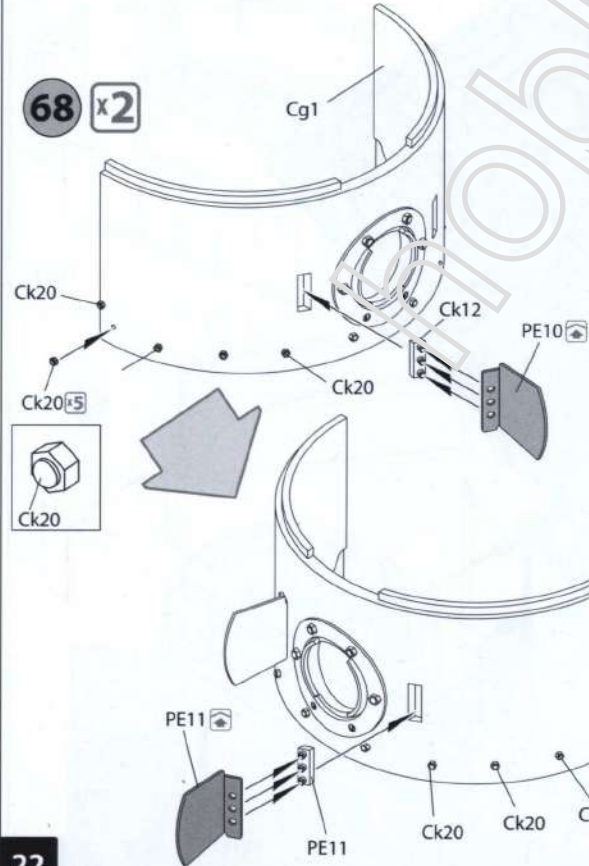
66 x2



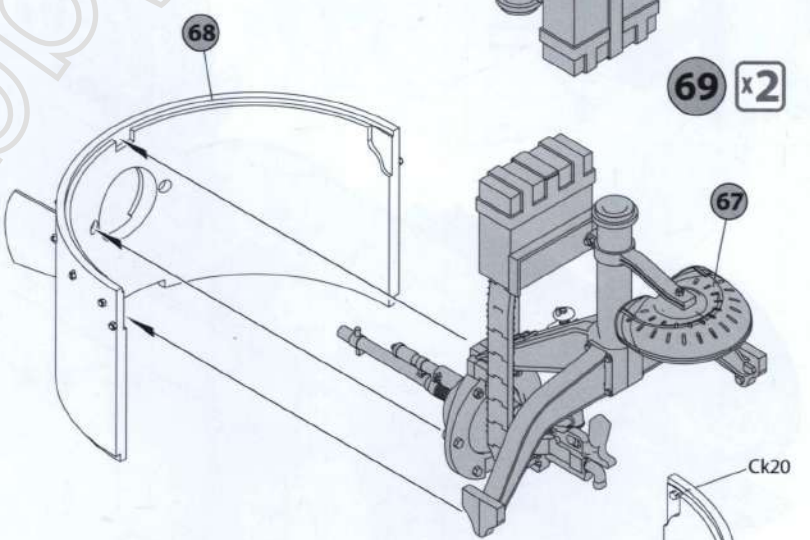
67 x2



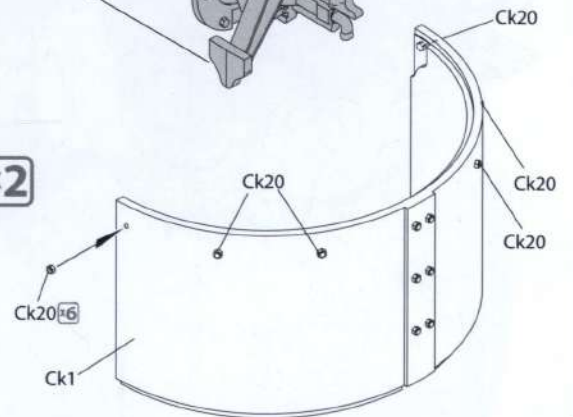
68 x2



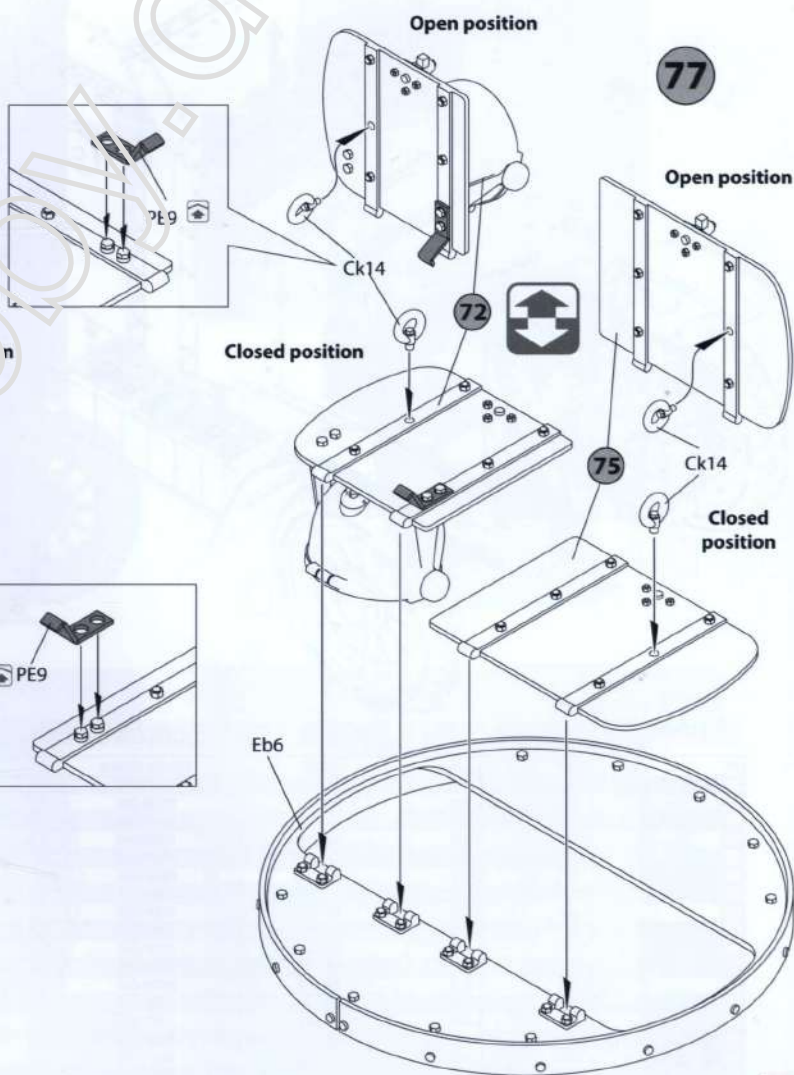
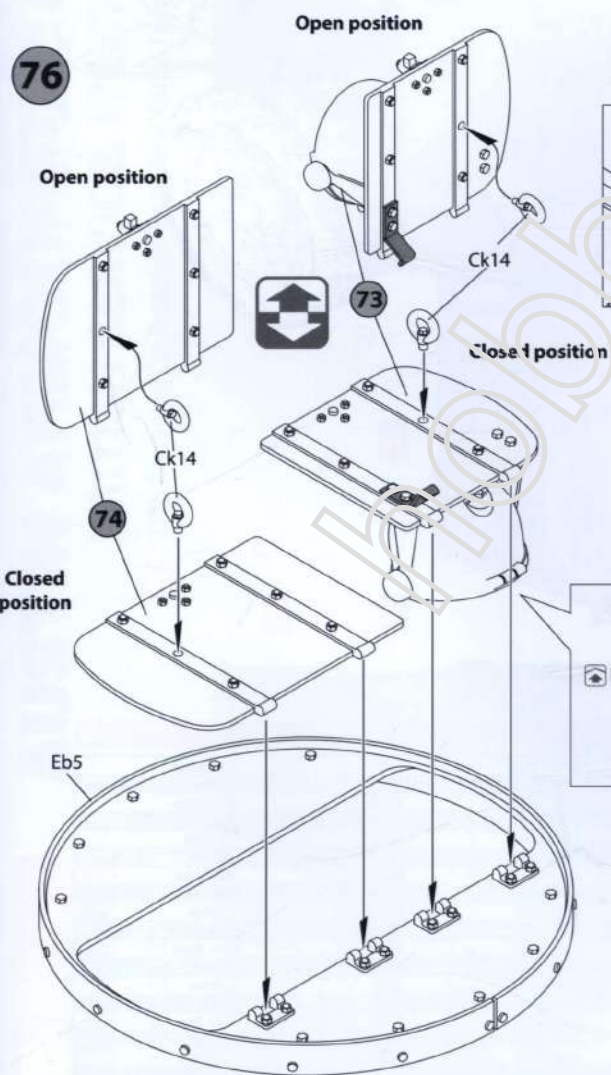
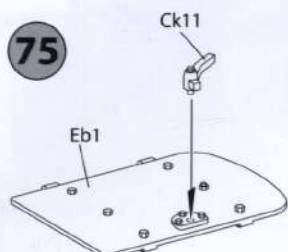
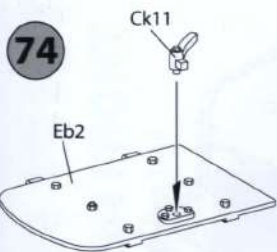
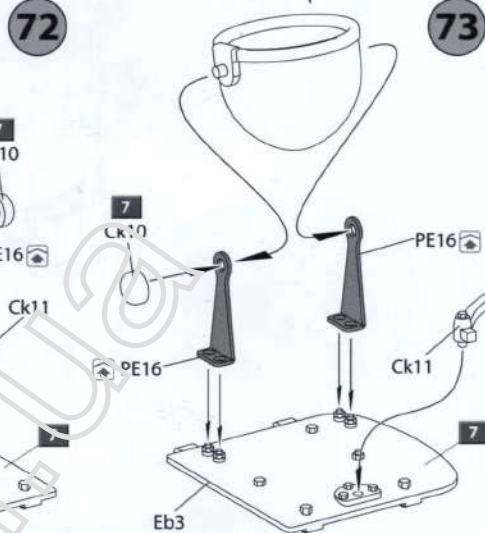
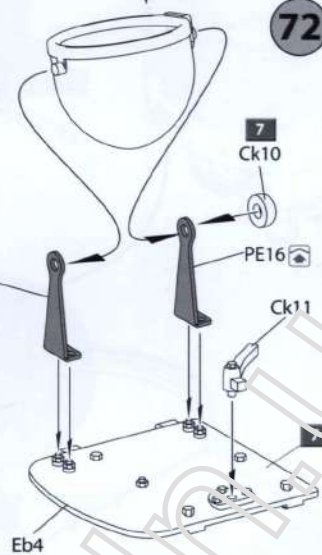
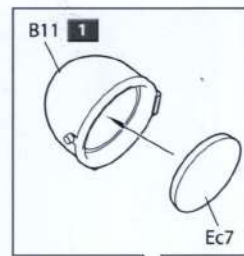
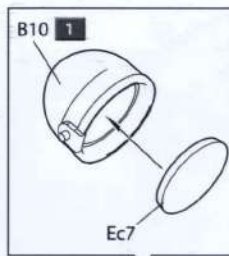
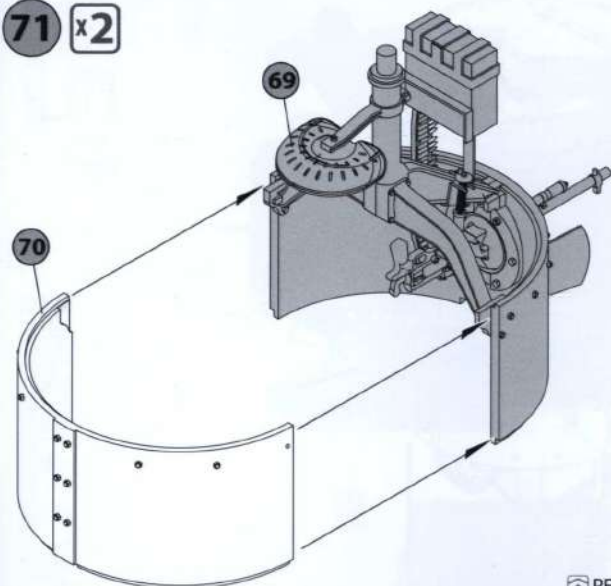
69 x2

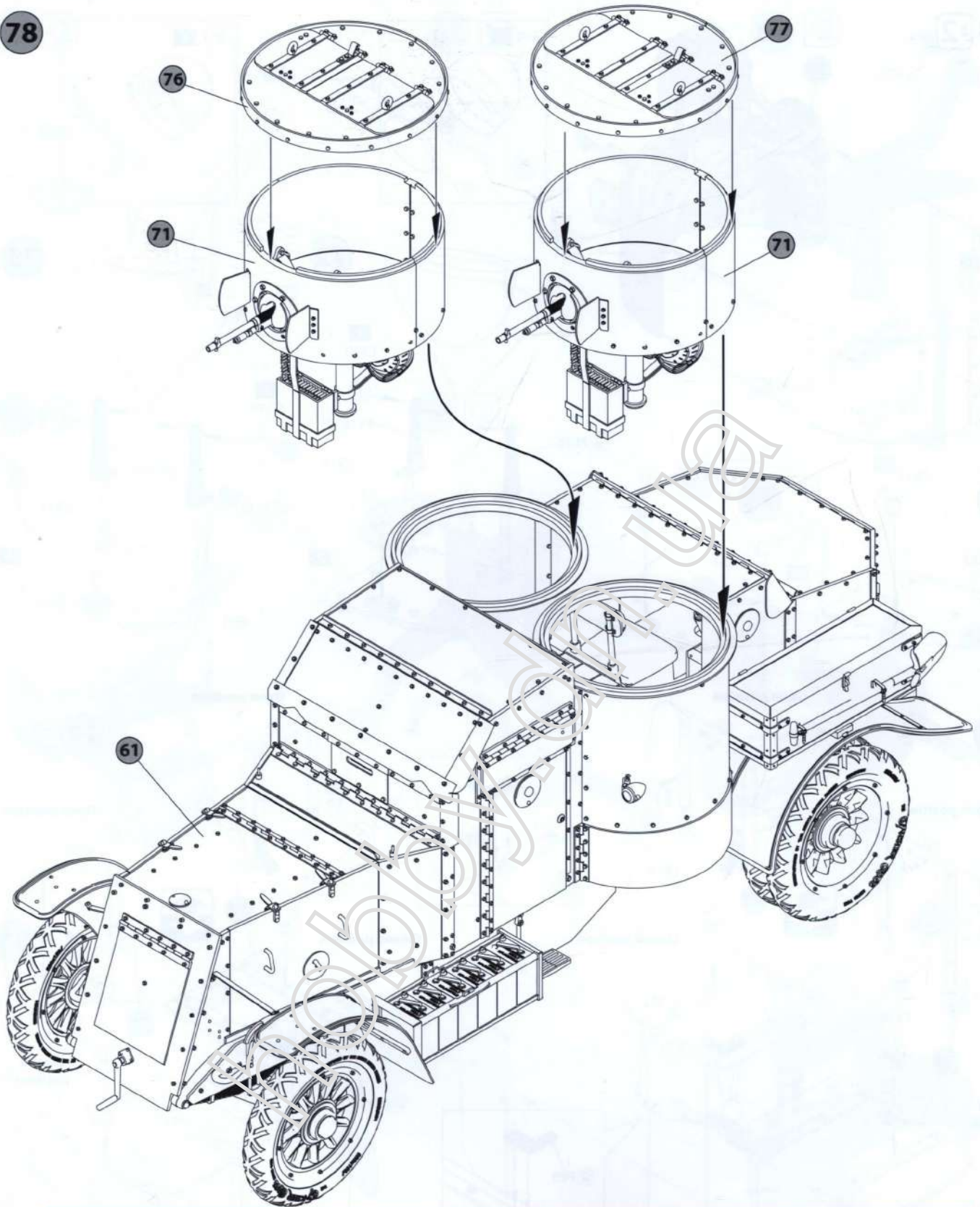


70 x2



71 x2





COLOR CHART

Nº	Color	Vallejo	Mr. Color	AK RC	Mission Models	AMMO MIG	Tamiya	Color name
01		71.057	C-033	RC-001	MMP-047	A.MIG-0046	XF-01	Black
02		71.062	C-090	RC-020	MMM-008	A.MIG-0194	XF-16	Aluminium
03		71.080	C-131	AK-709	MMW-001	A.MIG-0041	XF-10	Dark Rust
04		71.068	C-010	RC-016	MMM-004	A.MIG-0199	XF-06	Copper
05		71.072	C-028	AK-476	MMM-002	A.MIG-0191	XF-56	Steel
06		71.073	C-078	RC-015	MMM-001	A.MIG-0045	XF-84	Gun Metal
07		71.010	C-012	RC-033	MMP-024	A.MIG-0074	XF-82	Green Moss
08		71.001	C-062	RC-004	MMP-001	A.MIG-0050	XF-02	White
09		71.041	C-310	RC-035	MMP-033	A.MIG-0076	XF-10	Brown
10		71.007	C-038	RC-023	MMP-025	A.MIG-0081	XF-62	Olive Green
11		71.016	C-012	RC-024	MMP-020	A.MIG-0071	XF-49	Khaki
12		70.801	C-219	AK-460	MMM-009	A.MIG-0197	X-12	Brass
13		71.251	C-137	RC-022	MMP-040	A.MIG-0033	XF-85	Tire Black
14		71.008	C-029	RC-271	MMP-061	A.MIG-0231	XF-82	Pale Blue
15		71.027	C-043	RC-030	MMP-076	A.MIG-0037	XF-79	Wood
16		71.084	C-132	RC-006	MMP-111	A.MIG-0121	XF-07	Dark Red
17		71.137	C-027	RC-028	MMP-059	A.MIG-0220	XF-4	US Light Green
18		71.106	C-039	RC-075	MMP-086	A.MIG-0222	XF-59	Sand
19		71.078	C-004	RC-007	MMP-041	A.MIG-0125	XF-03	Yellow



AUSTIN ARMoured CAR 1918 PATTERN

BRITISH SERVICE. WESTERN FRONT

SCALE
1:35

PAINTING GUIDE

5 17th Armoured Car Battalion Royal Tank Corps, France, August 1918



8807420

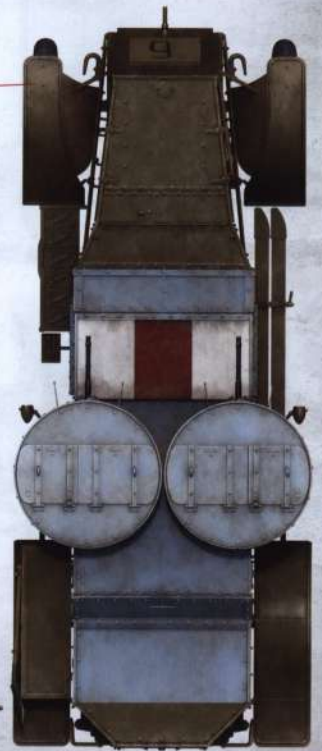
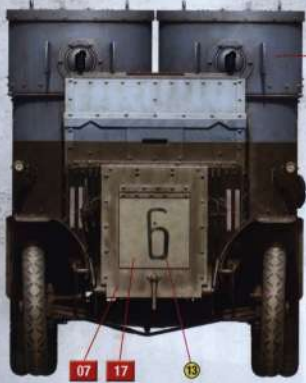


PAINTING GUIDE

AUSTIN ARMoured CAR 1918 PATTERNS BRITISH SERVICE. WESTERN FRONT

SCALE
1:35

6 17th Armoured Car Battalion Royal Tank Corps. Germany, Cologne, December 1918





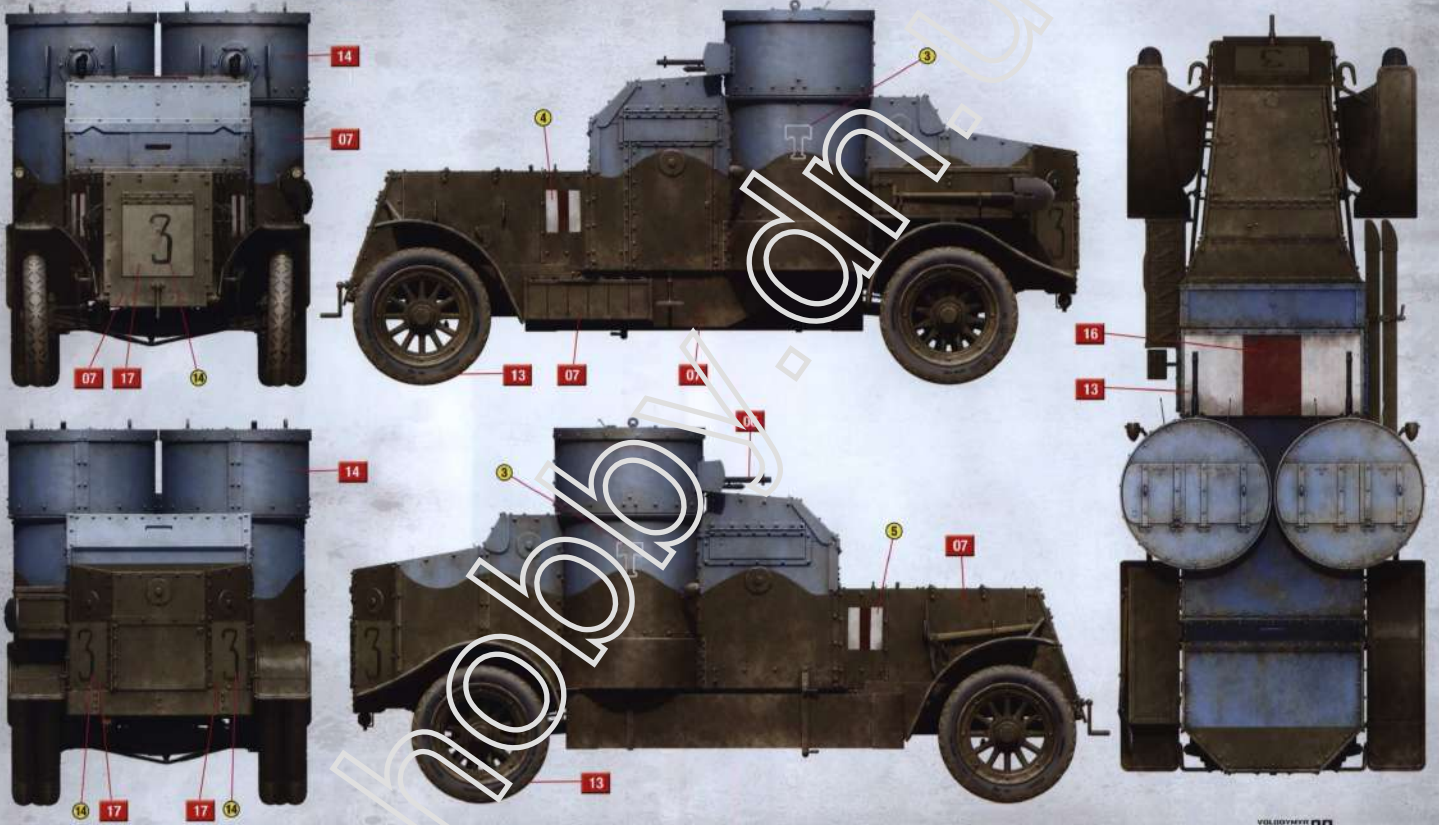
AUSTIN ARMoured CAR 1918 PATERN

BRITISH SERVICE. WESTERN FRONT

SCALE
1:35

PAINTING GUIDE

7 17th Armoured Car Battalion Royal Tank Corps. Germany, Cologne, December 1918



VALIANT
800TH20



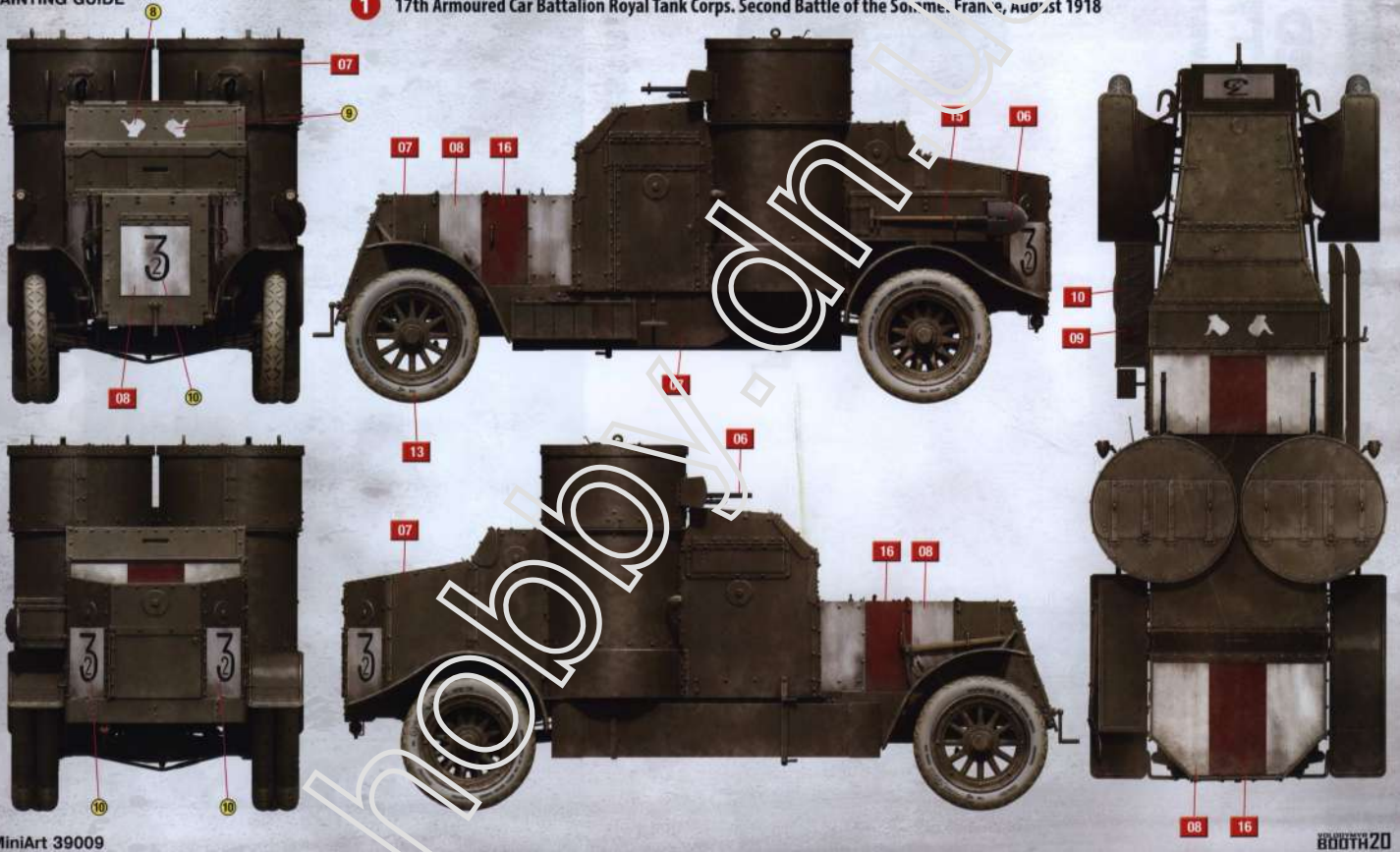
AUSTIN ARMoured CAR 1918 PATTERN

BRITISH SERVICE. WESTERN FRONT

SCALE
1:35

PAINTING GUIDE

1 17th Armoured Car Battalion Royal Tank Corps. Second Battle of the Somme. France, August 1918



MiniArt 39009

BOOTH 20

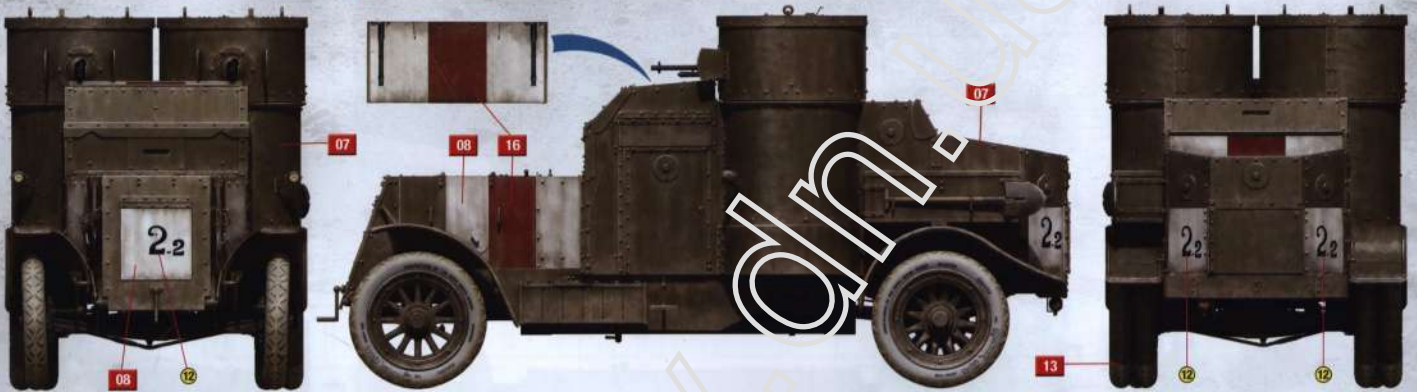


AUSTIN ARMoured CAR 1918 PATTERN BRITISH SERVICE. WESTERN FRONT

SCALE
1:35

PAINTING GUIDE

2 17th Armoured Car Battalion Royal Tank Corps. France, Summer 1918



3 17th Armoured Car Battalion Royal Tank Corps. Second Battle of the Somme. France, Harbonnières, Summer 1918





PAINTING GUIDE

AUSTIN ARMoured CAR 1918 PATTER

BRITISH SERVICE. WESTERN FRONT

SCALE
1:35

4 17th Armoured Car Battalion Royal Tank Corps. France, Summer 1918



MiniArt 39009

BOOTH20