

SOD BUSTER

CHEVY 4x4 PICKUP

mpe
M972-200

STEP NUMBERS FOR CHROMED PARTS 10

STEP NUMBERS FOR NON-CHROMED PARTS 10

PART NUMBERS 37

CEMENT ----->

DO NOT CEMENT ----->

CLEAR PLASTIC PARTS CLEAR

RED CLEAR PLASTIC PARTS RED CLEAR

IMPORTANT! READ THIS FIRST

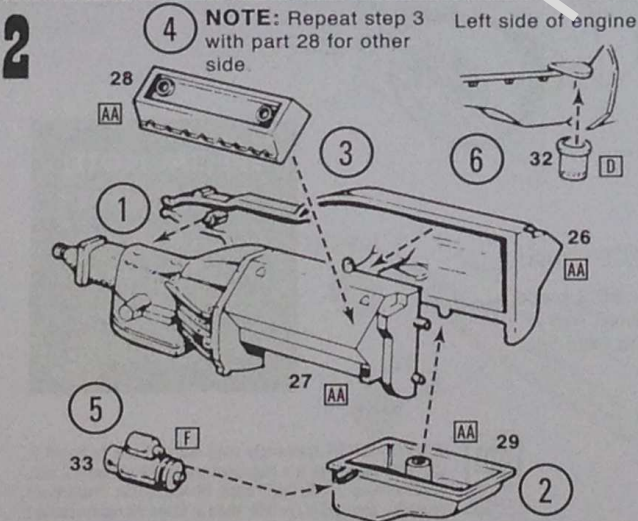
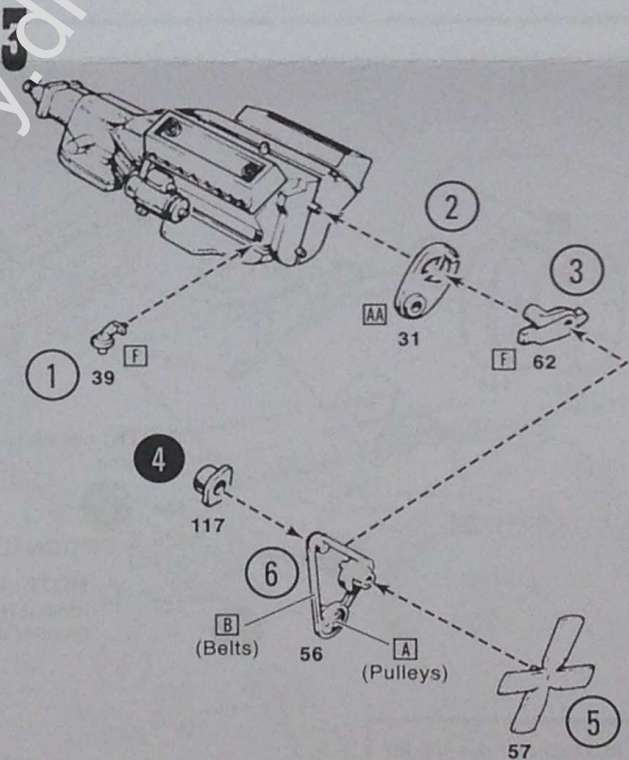
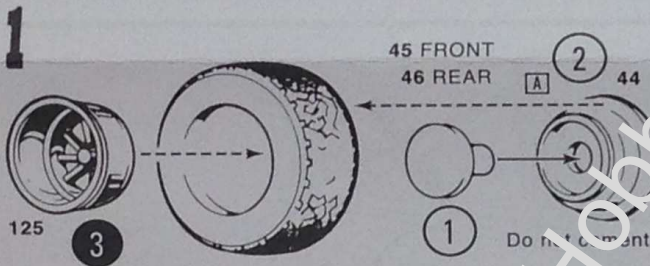
Before you begin building, look over the instructions carefully. Following the procedure given, test-fit parts together without cementing. This way you will be more familiar with the location of parts when it becomes time to use cement.

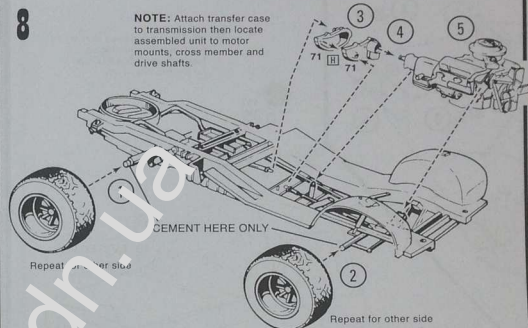
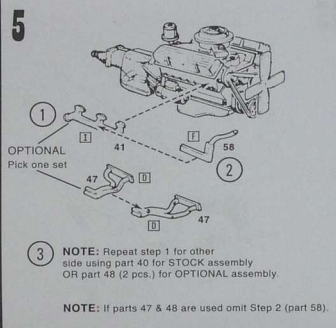
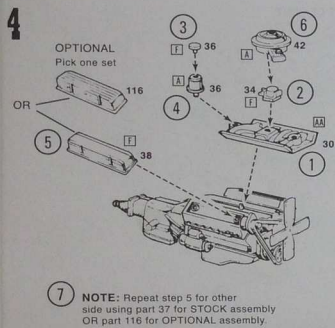
For removing small parts from the "runners" it is best to use a modelers knife, do not attempt to "twist" them off.

The highest quality styrene plastic goes into the making of each MPC® model. Only paint and cement

made for styrene should be used. Before joining parts, trim off excess plastic or "flash" Scrape plating from chromed parts where they are to be joined with other parts. Be careful not to get cement on exposed areas. To join parts, use cement sparingly. Apply cement to very small parts with a toothpick.

You should have no trouble assembling your kit if the instructions are followed properly. The parts are numbered in order of assembly.





PAINT COLORS

[A] Black	[I] Yellow
[B] Flat Black	[J] Tan
[C] Semi Gloss Black	[K] Brown
[D] White	[L] Light Blue
[E] Flat White	[M] Red Blue
[F] Silver	[N] Dark Blue
[G] Chrome (Bright Silver)	[O] Transparent Blue
Aluminum	[P] Light Green
[H] Steel	[Q] Optional Color
[I] Brass	[R] Argyle Gray
[J] Gold	[S] Chevy/Ford Orange
[K] Nickel	[T] Interior Color
[L] Transparent Amber	[U] Body Color
[M] Red	[V] Semi Gloss
[N] Transparent Red	[W] Gloss
[O] Orange	[X] Metallic

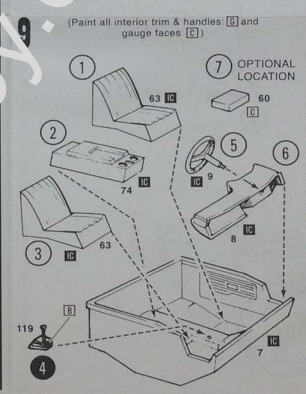
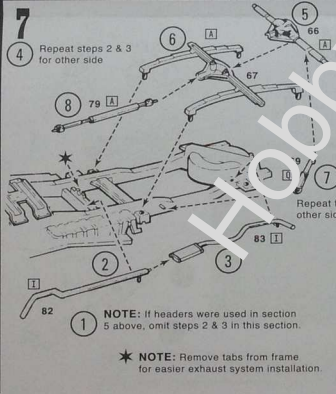
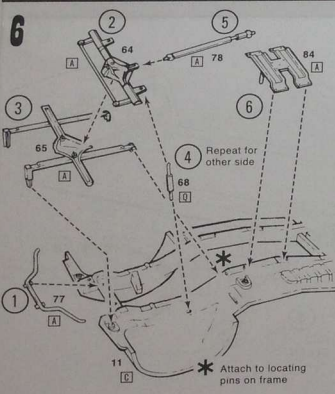
EXTERIOR COLORS

Standard Colors Include: White, Silver, Charcoal, Modern Blue, Bright Blue, Dark Blue, Blue, Medium Green, Bright Green, Dark Green, Yellow, Natural, Candy Orange, Candy, Saddle, Camrose, Dark Carmine, Red, Russet, Brown, Midnight Black, Wheelband Yellow and Tanager Orange.

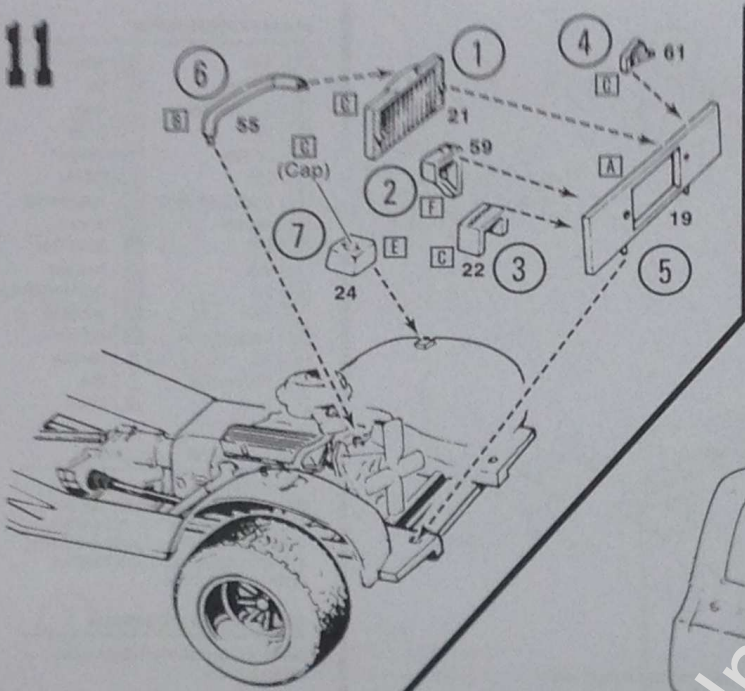
INTERIOR COLORS

Standard Colors Include: Black, Blue, Grey, Red, and Saddle.

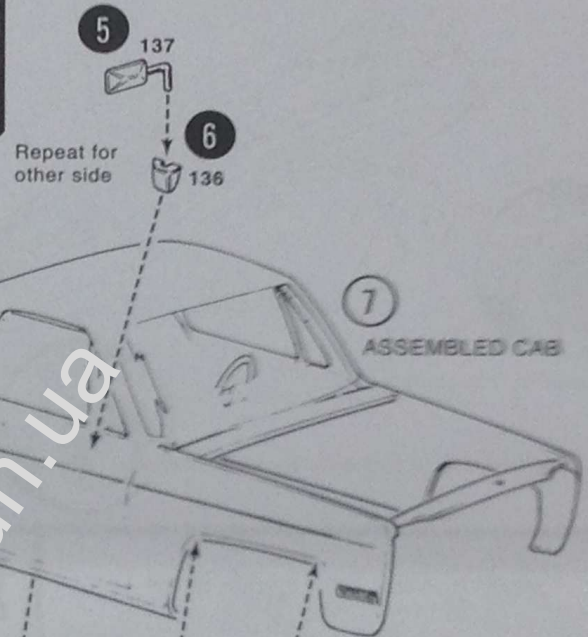
It is recommended that you search the Internet for additional color references and details.



11

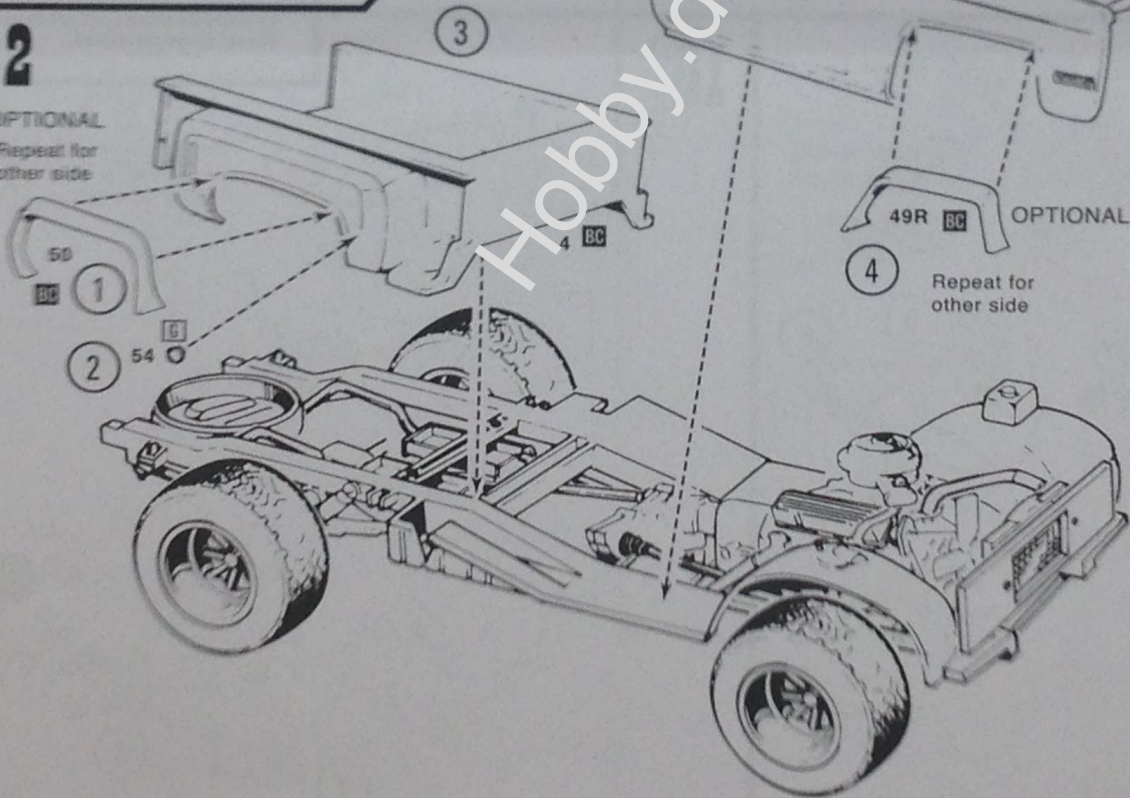


* NOTE: Apply decals to rear fenders before putting on fender flares. (See box top for decal placement.)



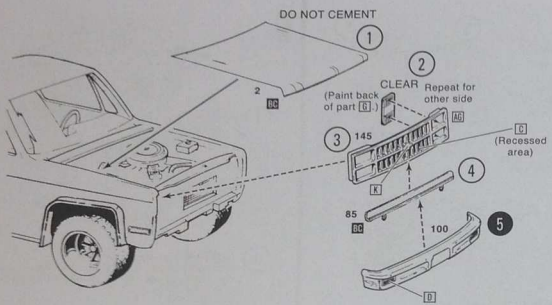
12

OPTIONAL
Repeat for other side

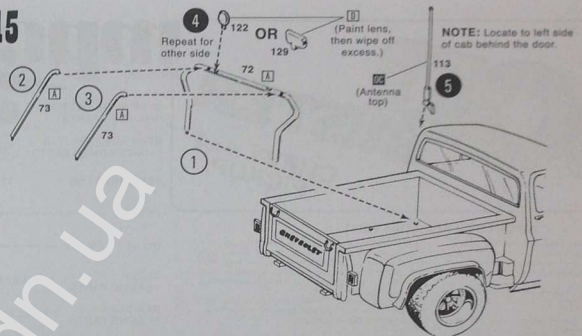


Hobby.dn.ua

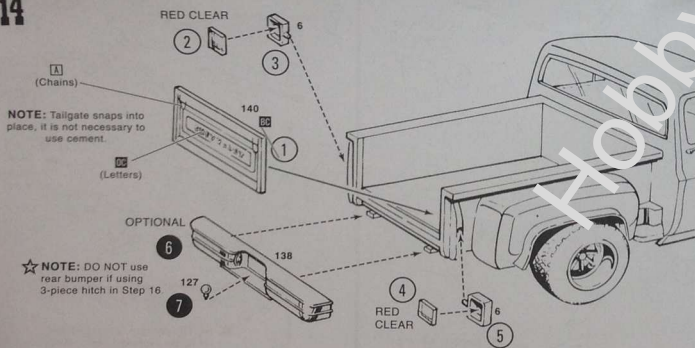
13



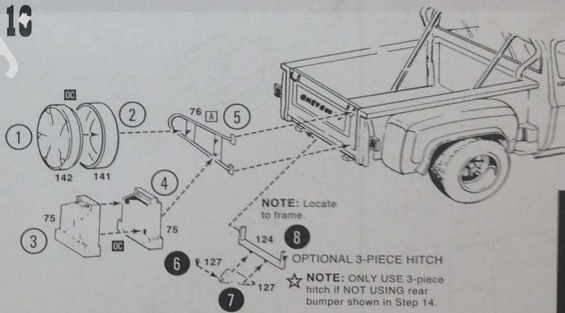
15



14



16



SPECIAL NOTE:
This kit contains extra parts that may be used as desired for custom projects.

NOTE: See box top for decal placement.

gm OFFICIAL
GENERAL MOTORS Trademarks used under license to Round 2, LLC. MPC and Design is a registered trademark of Round 2, LLC. ©2023 Round 2, LLC, South Bend, IN 46628 USA. Product and packaging designed in the USA. Made in China. All rights reserved.