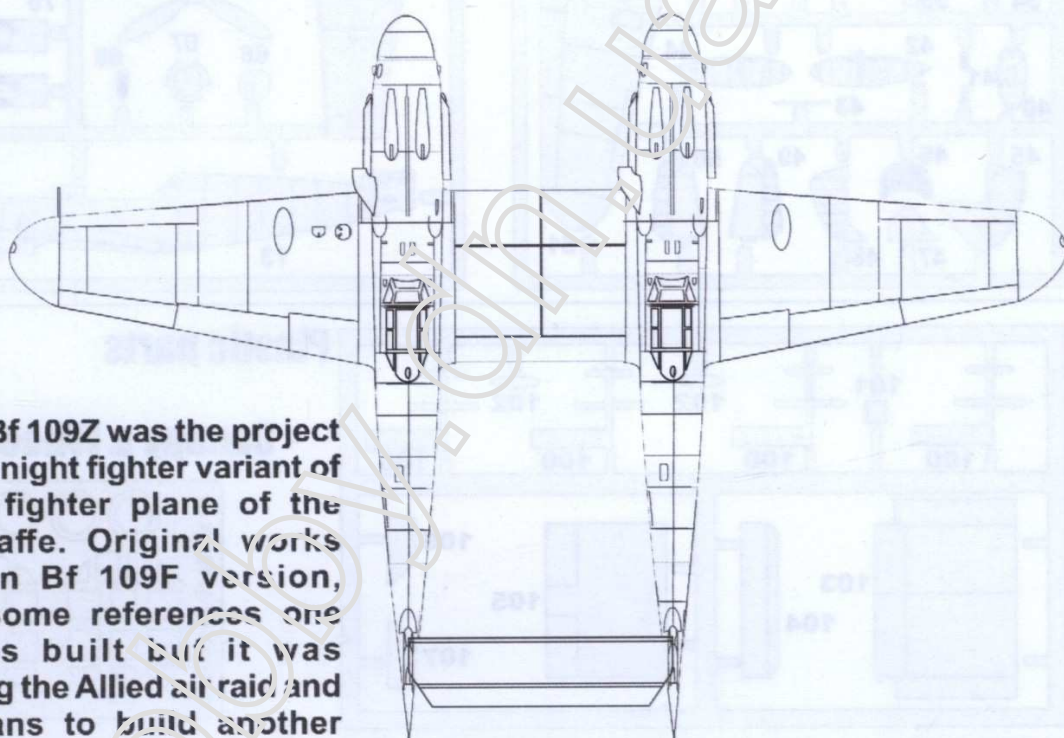
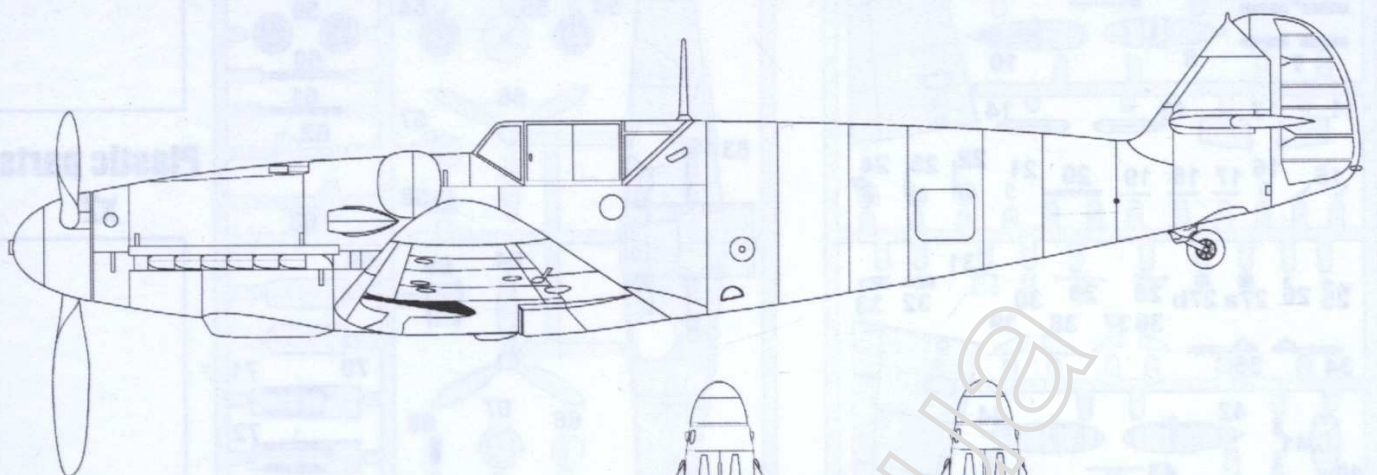


# RETROWINGS

RTW 7201 RTW 7202

## Messerschmitt Bf 109Z-1/Z-2



Messerschmitt Bf 109Z was the project of long range or night fighter variant of then standard fighter plane of the German Luftwaffe. Original works were based on Bf 109F version, according to some references one prototype was built but it was destroyed during the Allied air raid and never flew. Plans to build another prototype, based on more modern Bf 109G were never realised.

### Symbols



Open hole



Cyanoacrylate



Remove



Reduce



To make new



Option



To bend



Putty

Colour name	
A	RLM 22 Black
B	RLM 21 White
C	RLM 02 Grey
D	Gunmetal
E	RLM 70 BlackGreen
F	RLM 04 Yellow

Colour name	
G	Aluminium
H	RAL 01 Silver
I	RLM 24 Blue
J	RLM 23 Red
K	RLM 66 BlackGrey
L	RLM 26 Brown

### References:

Drawings:

The last of the Eagles/J.R.Beaman JR.

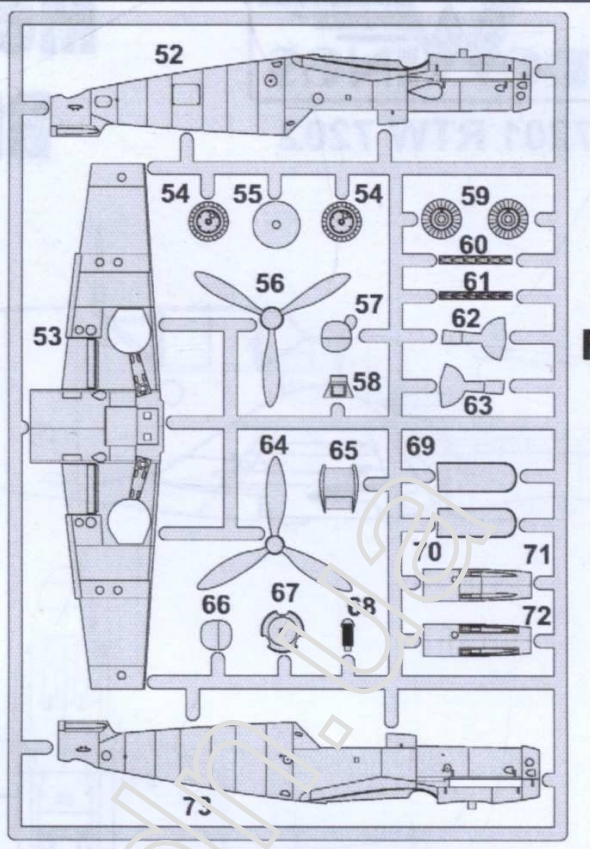
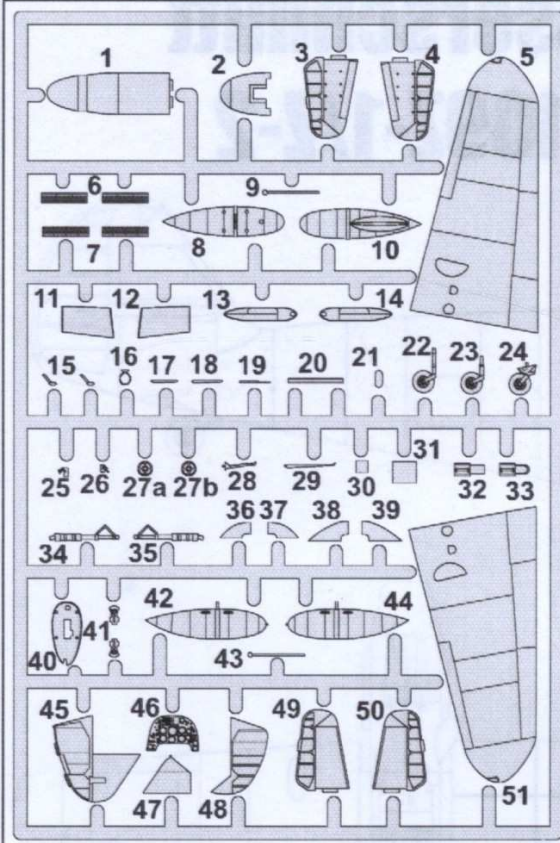
Bf 109 in action part.2

Bf 109G/K Kagero

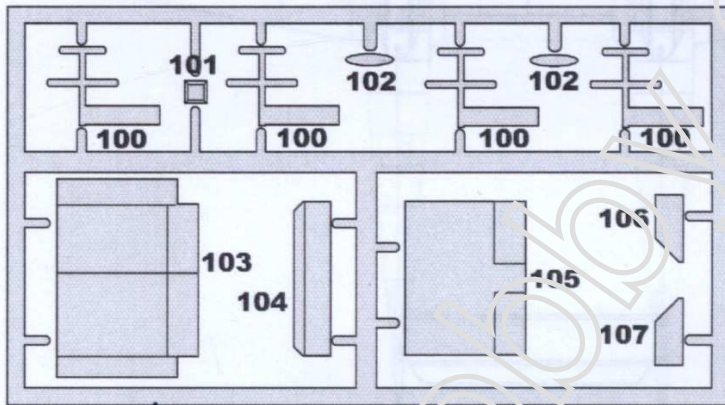
Aero detail 5 Bf 109G

Suomen Ilmailuhistoriallinen Lehti

internet



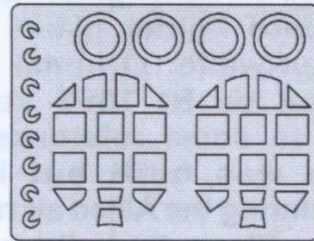
Plastic parts  
x2



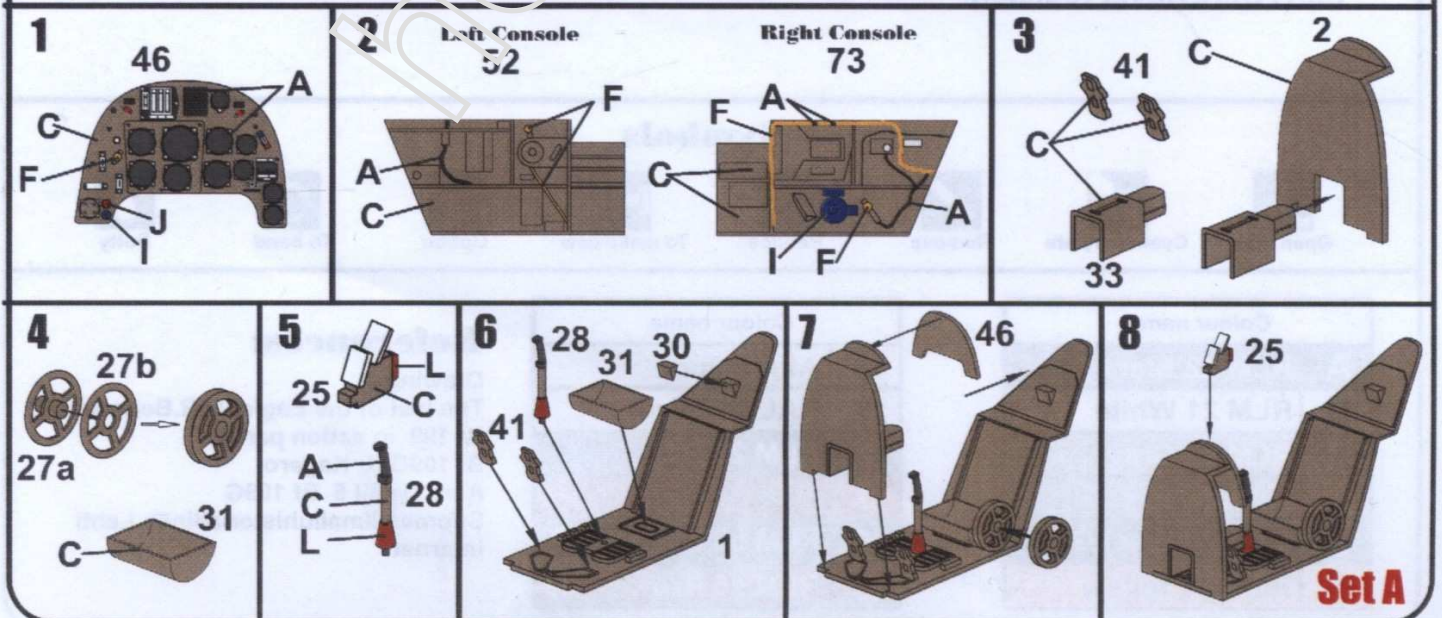
Plastic parts

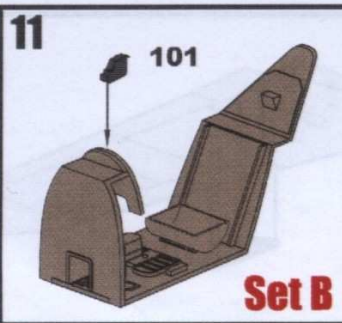
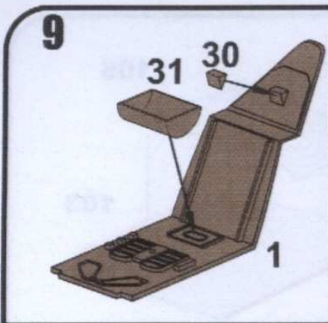
Clear parts

Canopy & Wheels mask

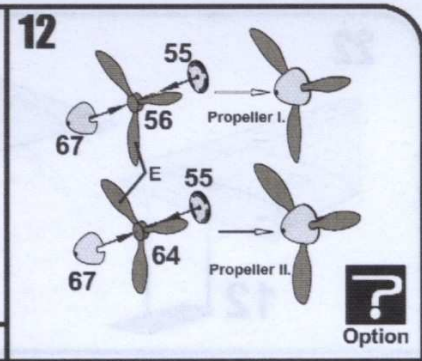


### Cockpit assembly - left fuselage, both versions

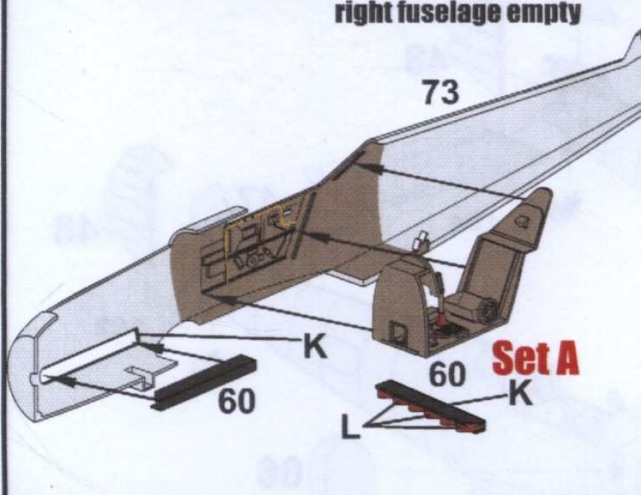




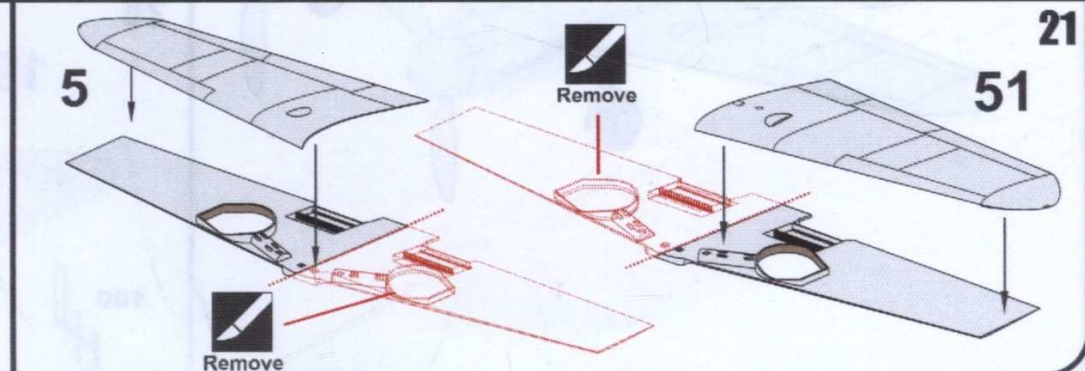
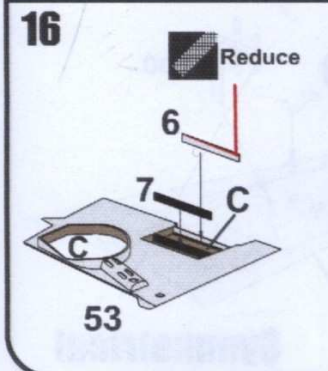
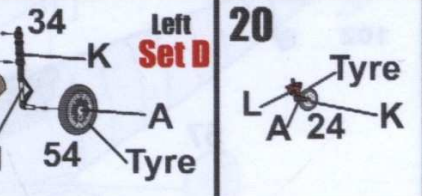
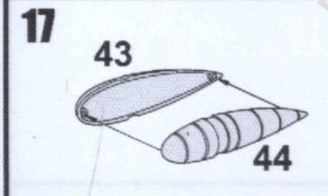
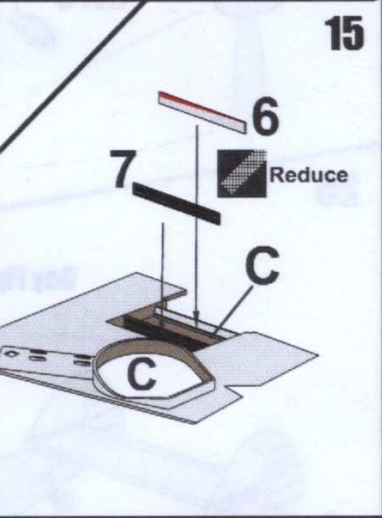
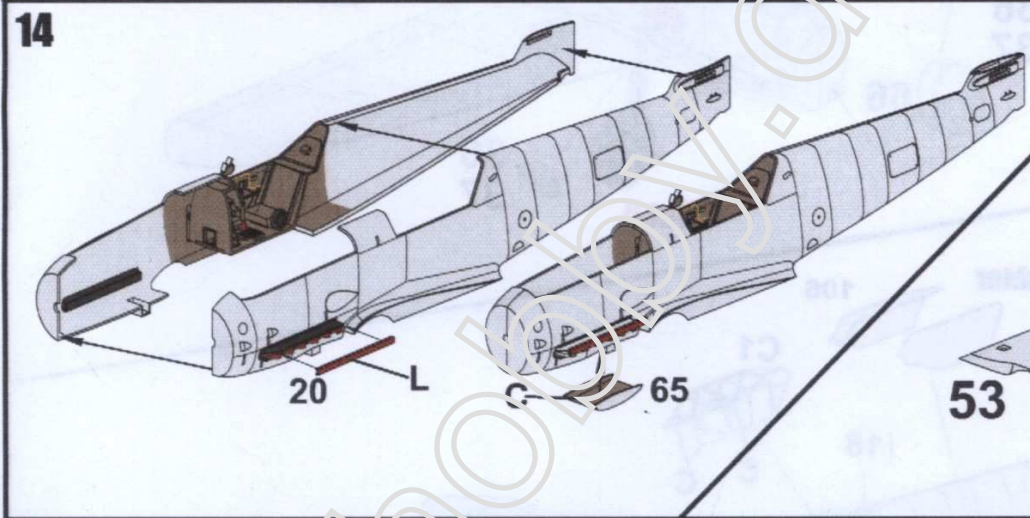
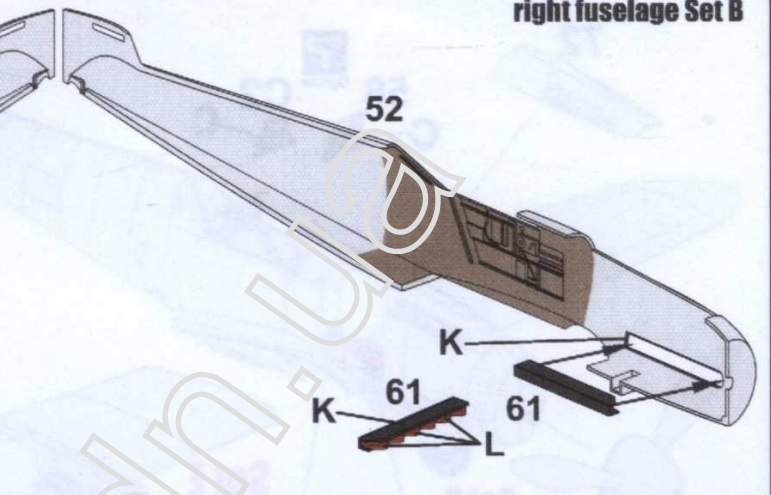
Bf 109Z-2 Night Fighter right cockpit assembly



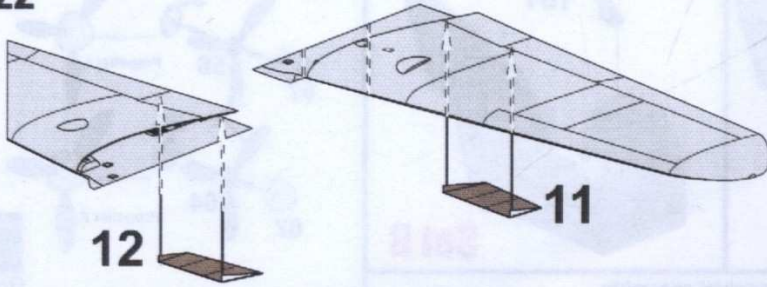
**13** Bf 109Z-1 Day Fighter - left fuselage Set A  
right fuselage empty



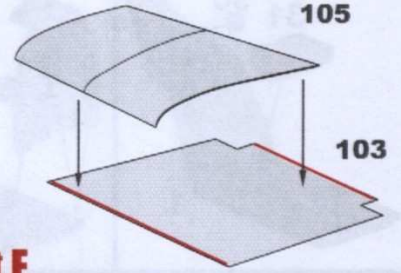
Bf 109Z-2 Night Fighter - left fuselage Set A  
right fuselage Set B



22

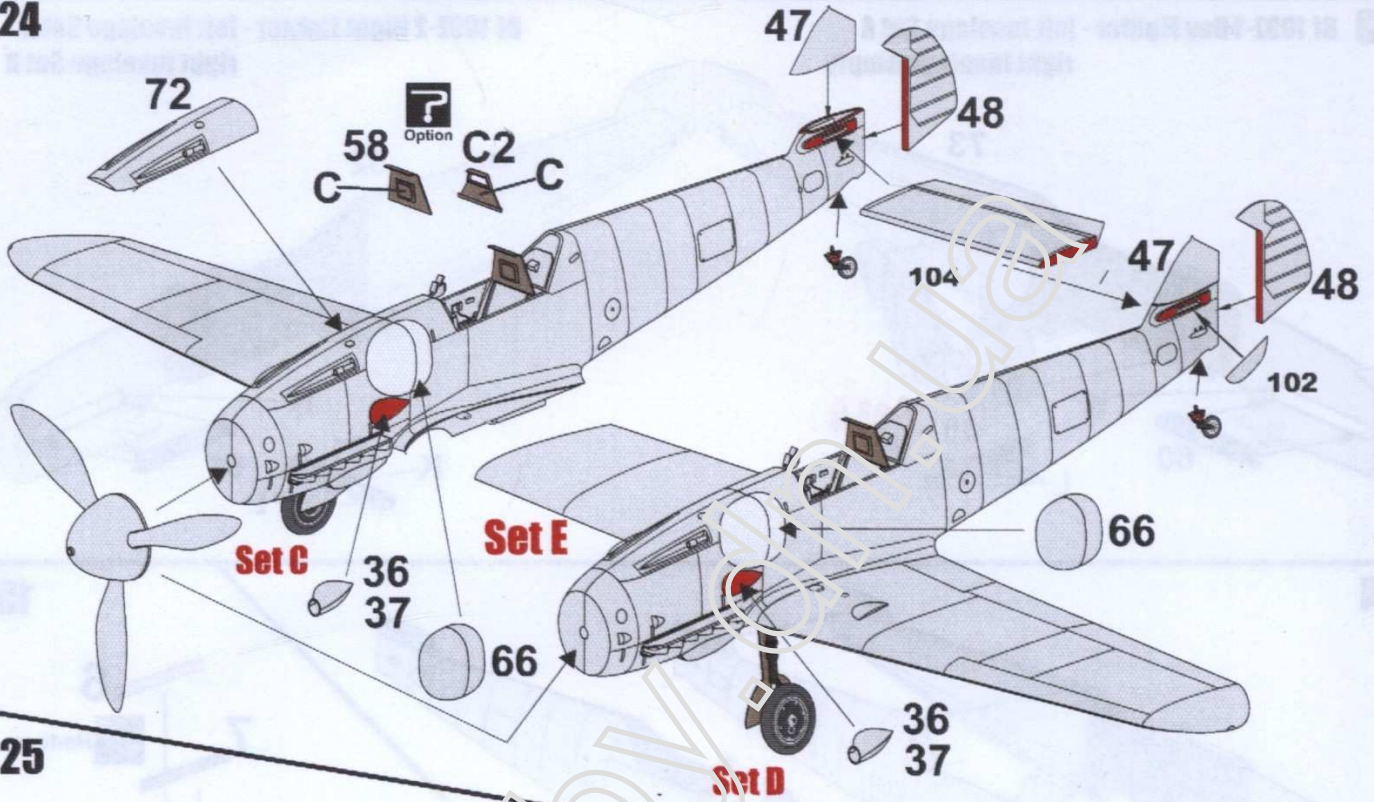


23

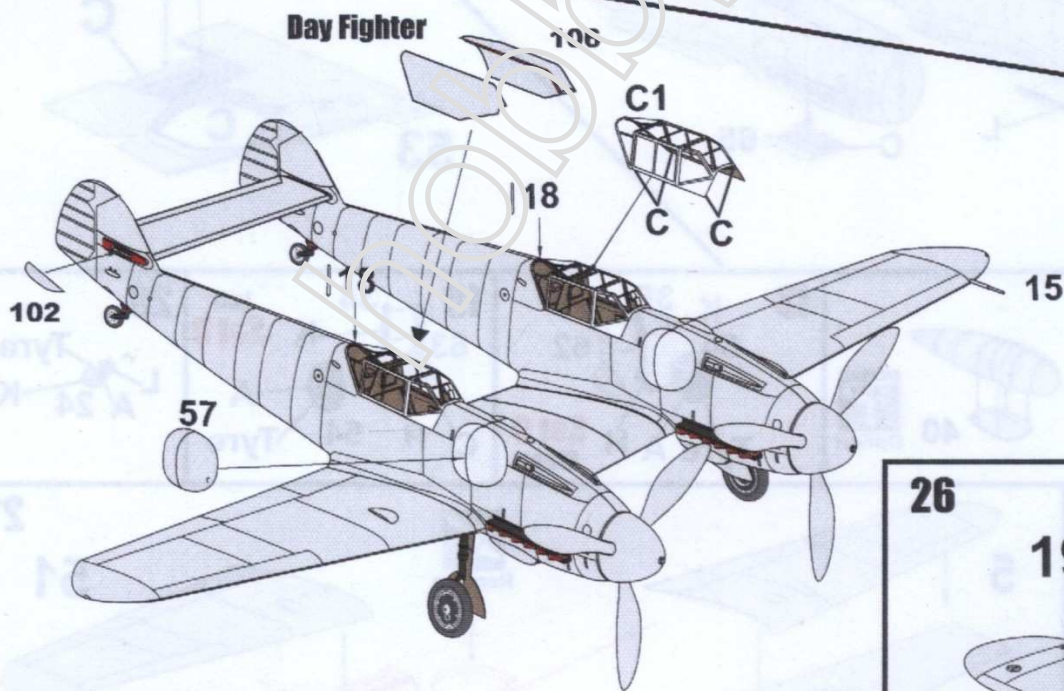


Set E

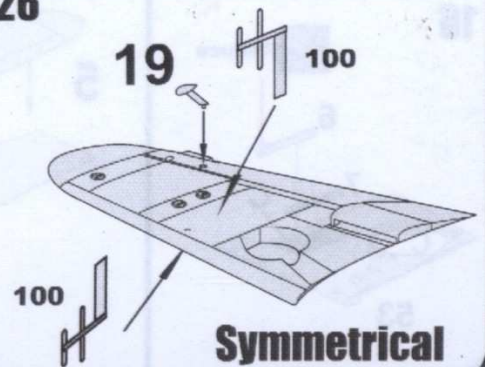
24



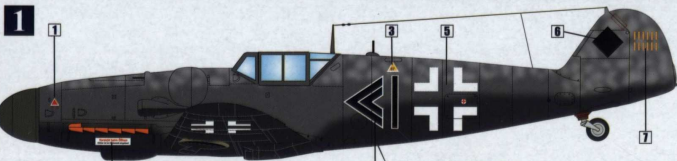
25



26

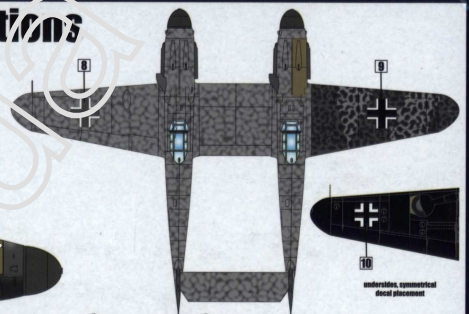


# Camouflage options

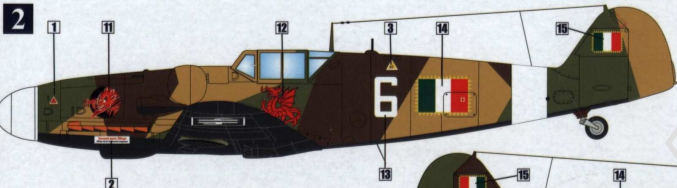


**1**  
Messerschmitt Bf 109Z-2, „Double Chevron“, III/NJG 2, Bonn - Hangelar airfield, November 1944.  
This Bf 109Z is camouflaged in RLM 74 Dark Grey with RLM 75 Mid Grey mottles on topsides and Black undersides. Note the replaced starboard wing painted in standard RLM 74/75 camouflage mottled in Black and engine cover left in RLM 02 base colour.

71.021 RLM 70 Black Green	71.044 RLM 02 Grey Green	71.258 RLM 74 Dark Grey	71.491 RLM 75 Mid Grey
	71.257 RLM 76 Light Grey	70.950 Black	

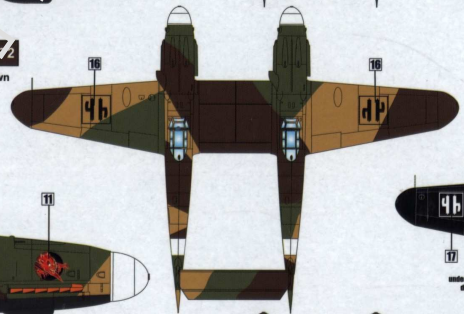


undersides, symmetrical  
dead placement



**2**  
Messerschmitt Bf 109Z-2, „White 6“, Milano Air Defense Flight, II Gruppo, Italian Air Force (ANR), 1944.  
Aircraft painted in Sand, Dark Green and Brown topsides, undersides painted in Black. Spinners and fuselage stripes in White. Of note is the Red dragon below the cockpit, personal emblem of the crew.

70.872 Sand	70.993 Dark Green	70.832 Brown
	70.954	



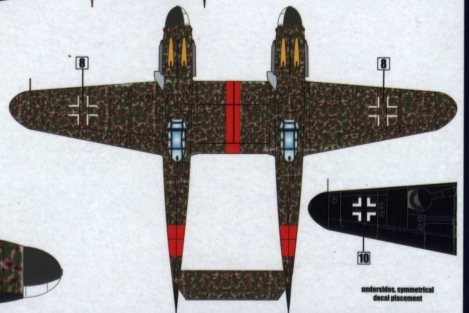
undersides, symmetrical  
dead placement



**3**  
Messerschmitt Bf 109Z-2, „Red 15“, JG 300, flown by Hptm. Erich von Alpenmlich, Deutsch Brod airfield, April 1945.  
Very light topsides painted in RLM 76 Light Grey were darkened by relatively small mottles of RLM 83 Dark Green and RLM 81 Red Brown. Undersides in Black. Spinners in RLM 76 Dark Green with White segments.

71.011 RLM 83 Dark Green	71.264 RLM 81 Brown Violet	70.817 RLM 23 Red	71.033 RLM 04 Yellow
--------------------------------	----------------------------------	-------------------------	----------------------------

Paint Codes  
AV  
vallejo



undersides, symmetrical  
dead placement

Please note - all camouflage schemes are fictitious.