

Pz.Kpfw.VI Ausf.E Sd.Kfz.181



RM-5005

Tiger I Gruppe "Fehrmann"

April 1945 Northern Germany



Assembly Icon



OPTIONAL
选择



CEMENT
膠水



DO NOT CEMENT
不使用膠水



INSTANT CEMENT
瞬間接著劑



BEND
彎折



MAKE 2pcs
製作2組



OPEN HOLE
鑽孔



CAT
切除



BE CAREFUL
注意



APPLY DECAL
貼上水貼紙

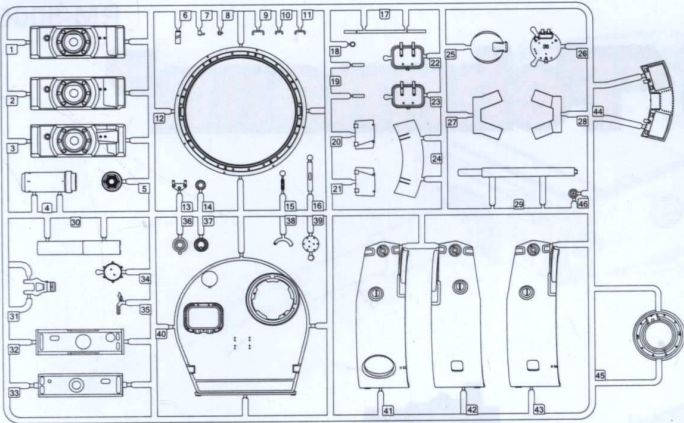


Read carefully and fully understand the instructions before commencing assembly.
Supervising adult should also read the instructions if a child assembles the model.
When you used glue or paint, do not use near a naked flame, and use in a well-ventilated room.
When assembling this kit, tools including knives are used. Extra care should be taken to avoid personal injury.
Read and follow the instructions supplied with paints and/ or cement. Use plastic cement and paints only.
Keep out of reach of small children. Children must not be allowed to suck any part, or pull vinyl bag over the head.

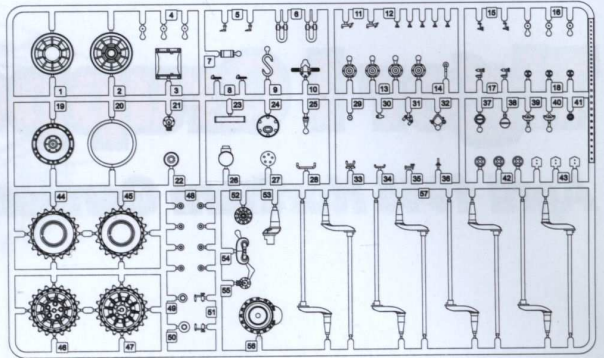
在裝配前仔細閱讀說明並完全理解。小孩裝配時需成人看護且需仔細閱讀說明。
使用膠水和油漆時，應遠離火源並打開窗戶保持空氣流通。
製作時請格外注意工具刀和零件的鋒利尖銳部分，避免對身體造成傷害。
在使用膠水和油漆前仔細閱讀注意事項，按照說明正確使用膠水和油漆。
請將本品放在兒童接觸不到的地方，套件中的塑膠包裝袋會對兒童造成窒息的危險。

Parts

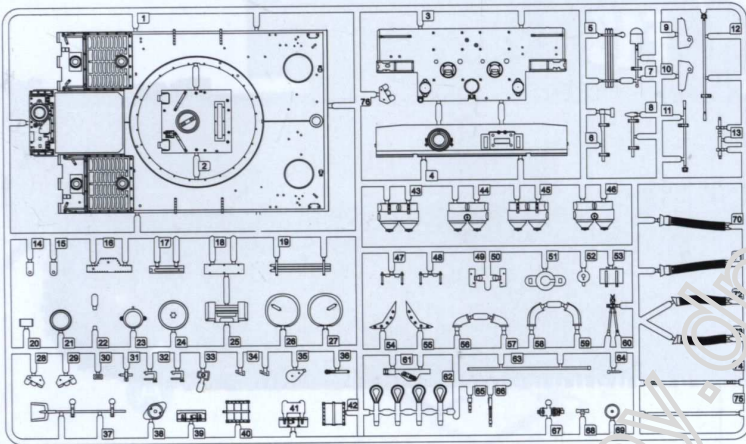
A x1



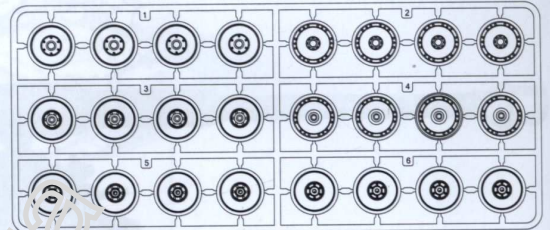
D x2



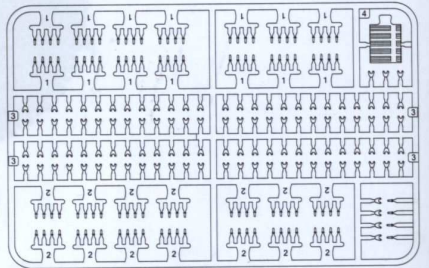
B x1



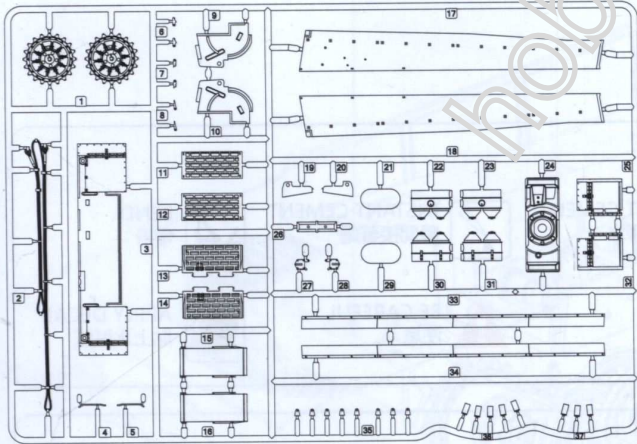
C x2



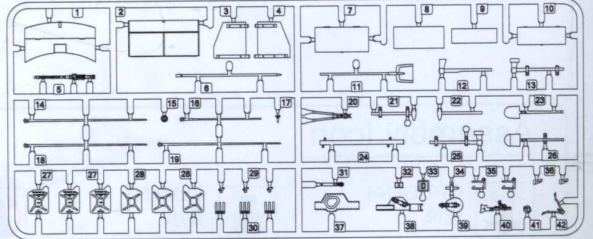
N x4



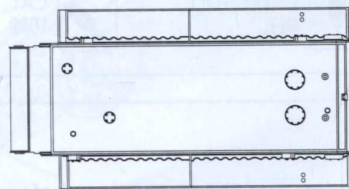
F x1



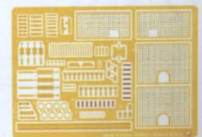
O x1



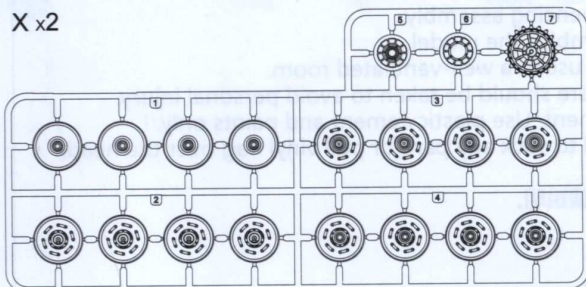
Lower hull x1



P x1



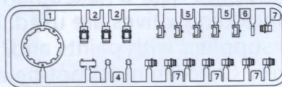
X x2



Y x1



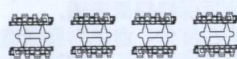
T x1



Decal x1

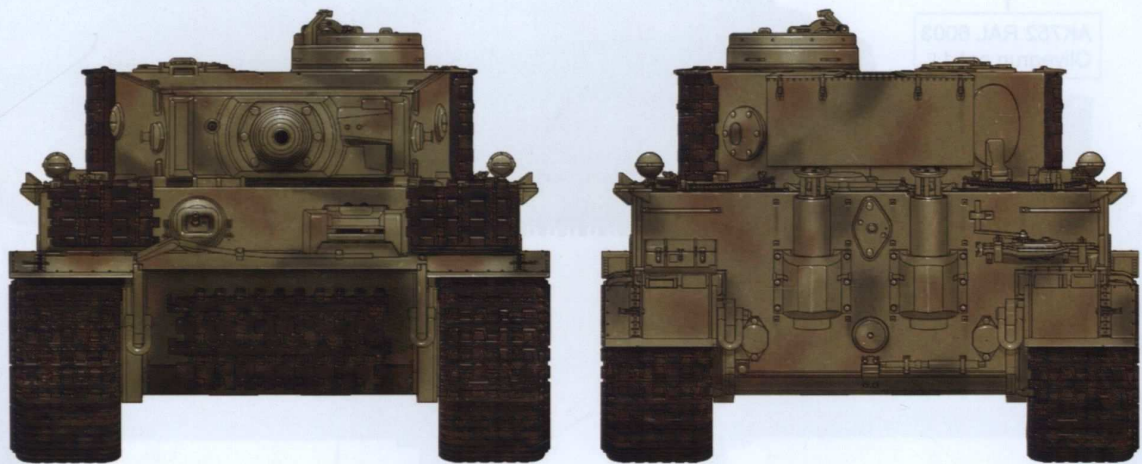
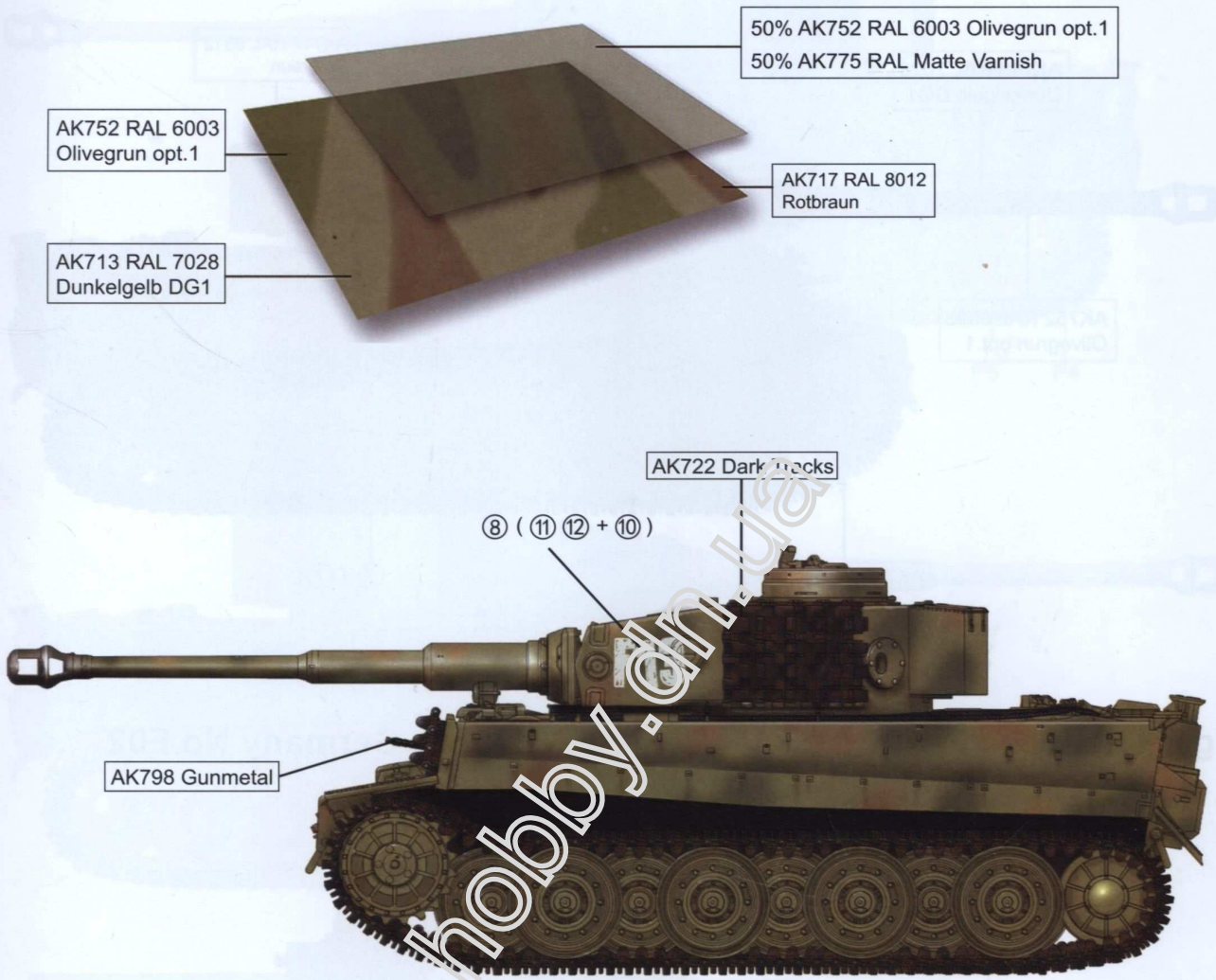


Track x192



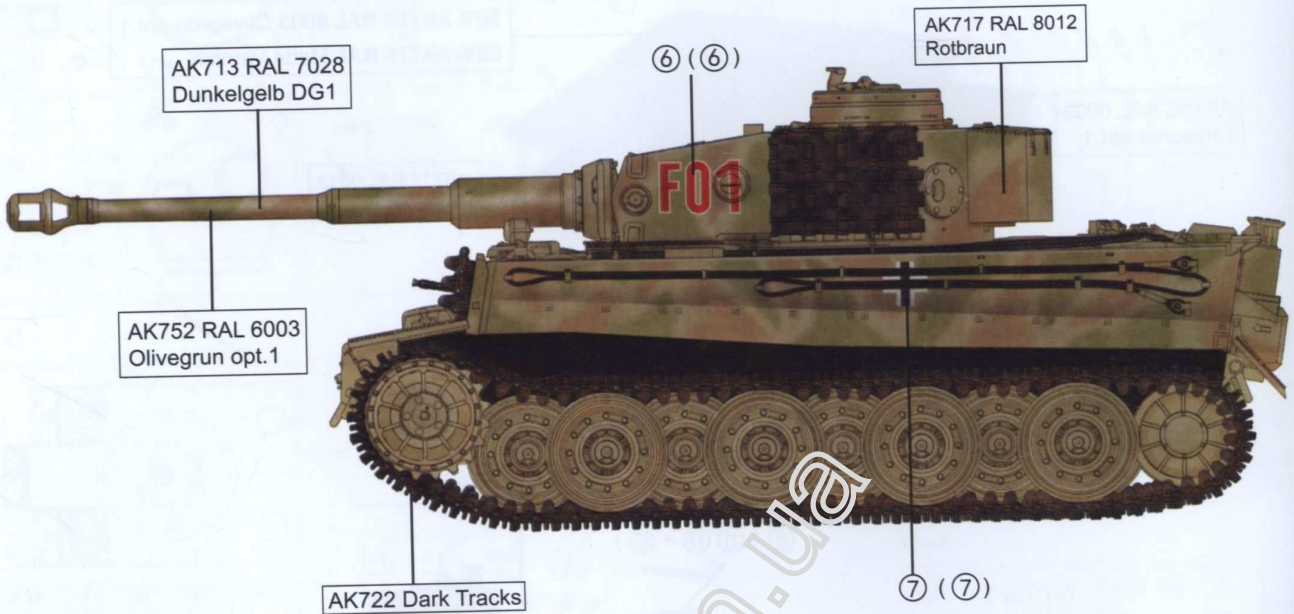
Painting and Marking Guide

Tiger I Gruppe "Fehrmann" April 1945 Northern Germany No.F13

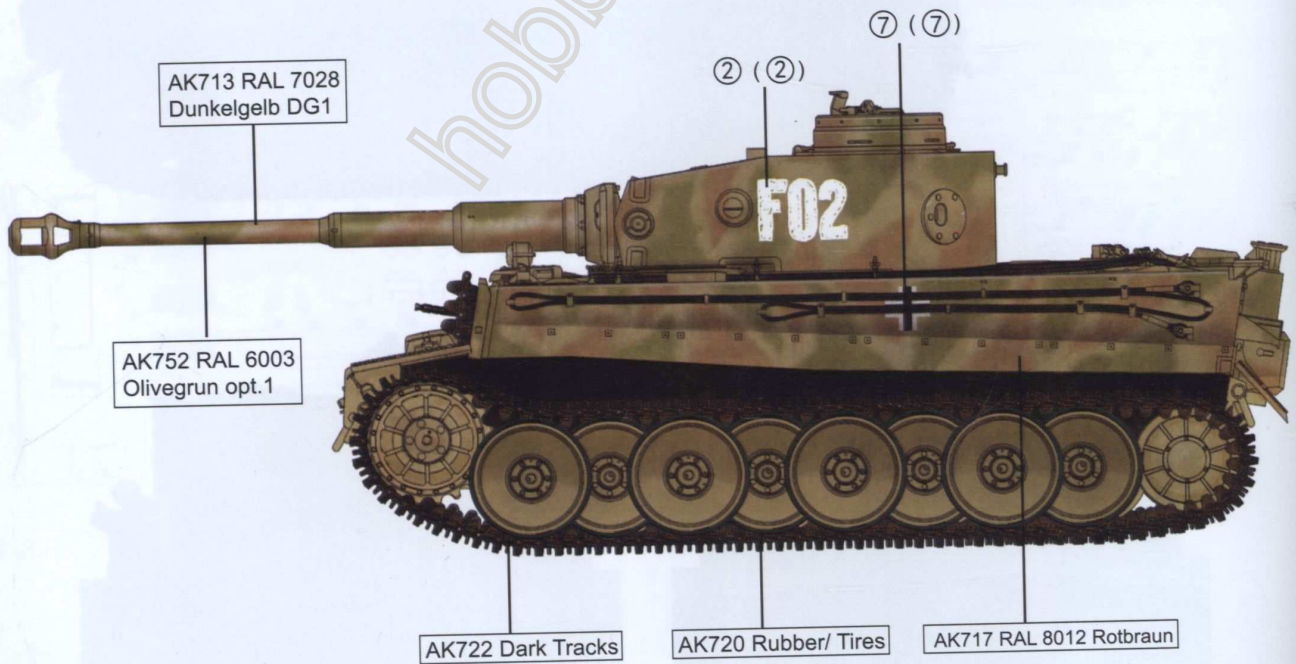


Painting and Marking Guide

Tiger I Gruppe "Fehrmann" April 1945 Northern Germany No.F01



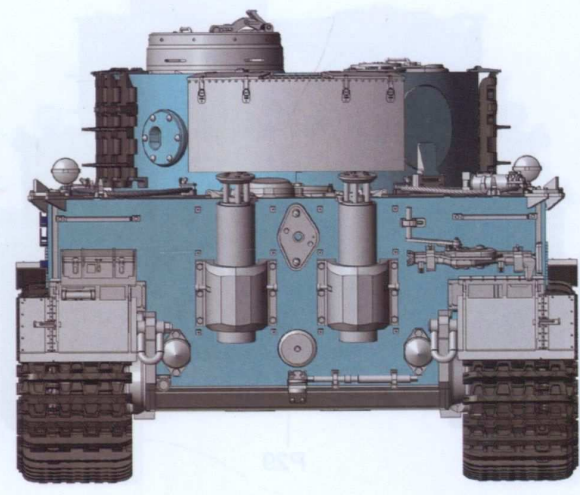
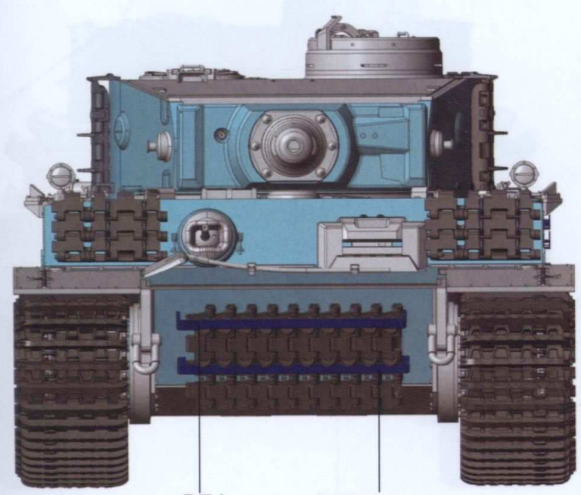
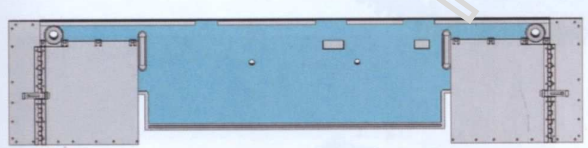
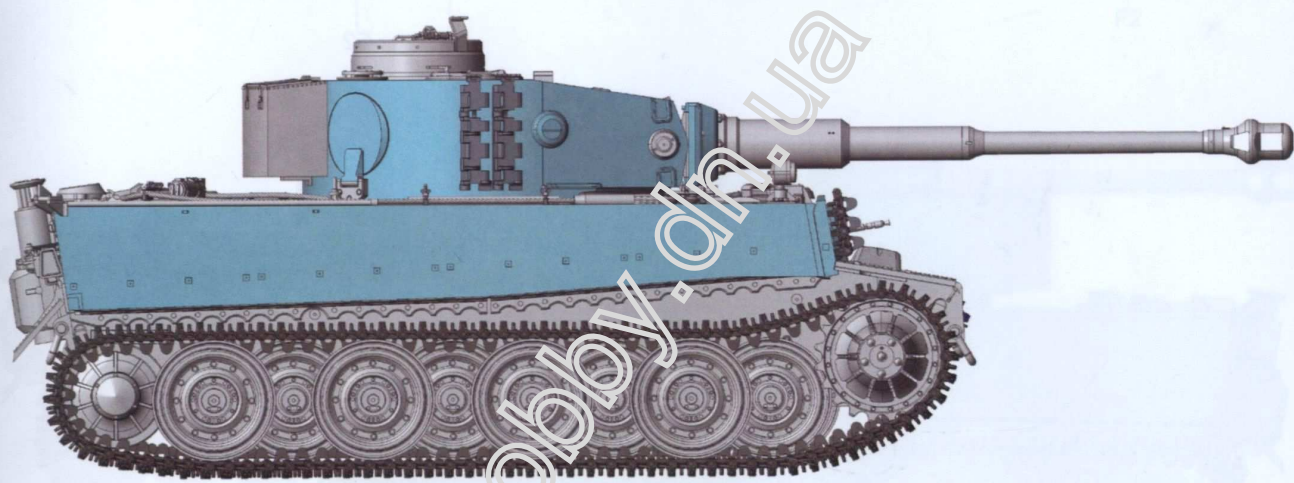
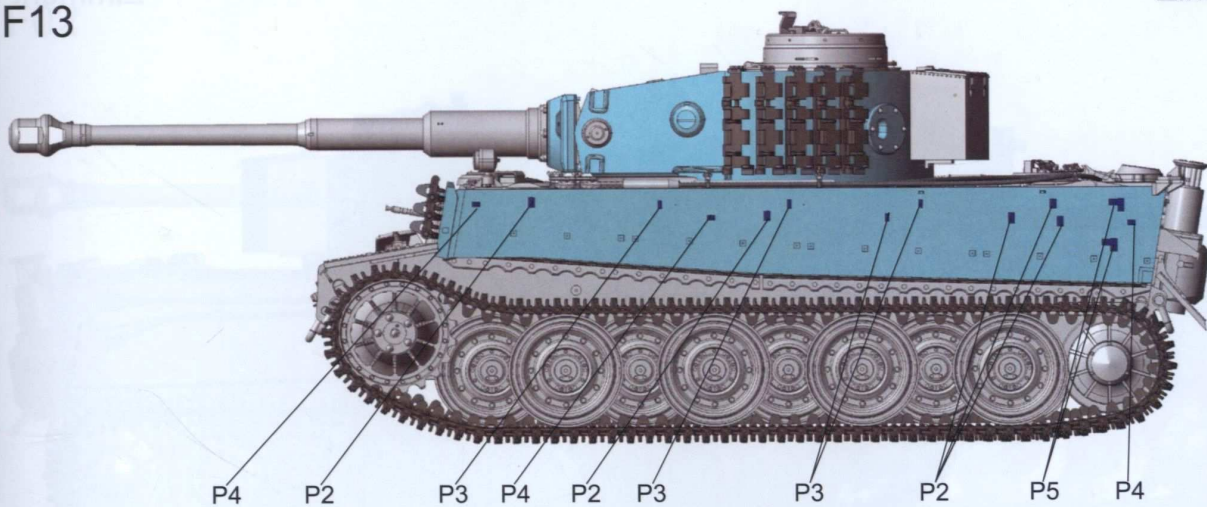
Tiger I Gruppe "Fehrmann" April 1945 Northern Germany No.F02



Zimmerit & Other Parts Assembly

Zimmerit

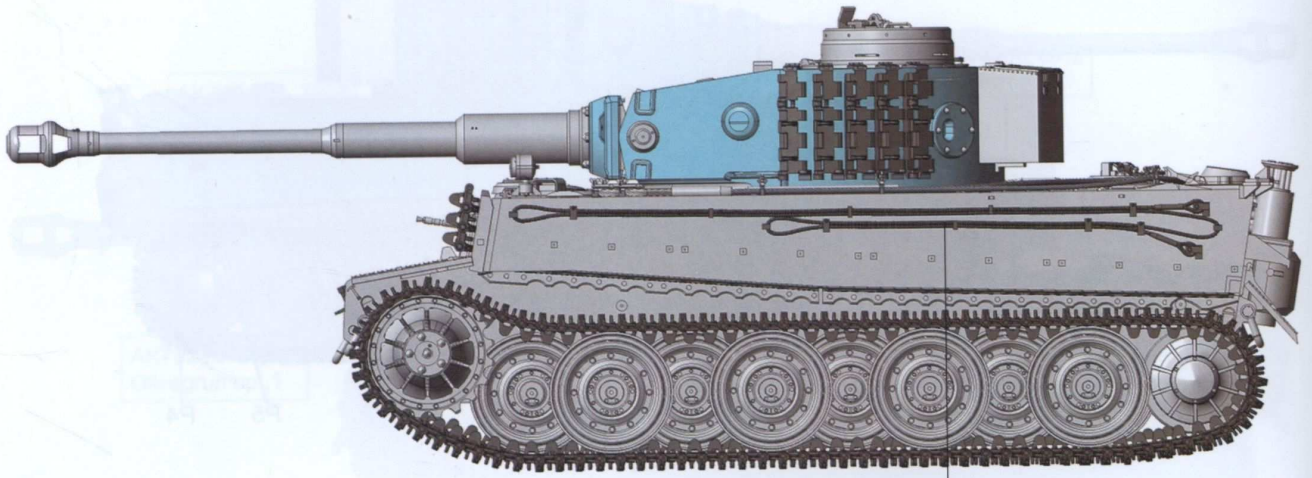
F13



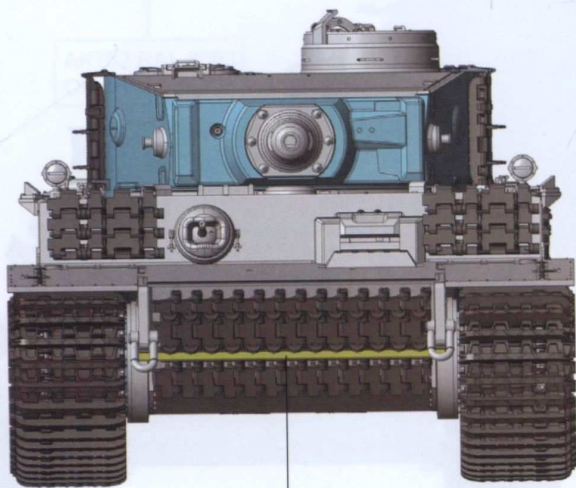
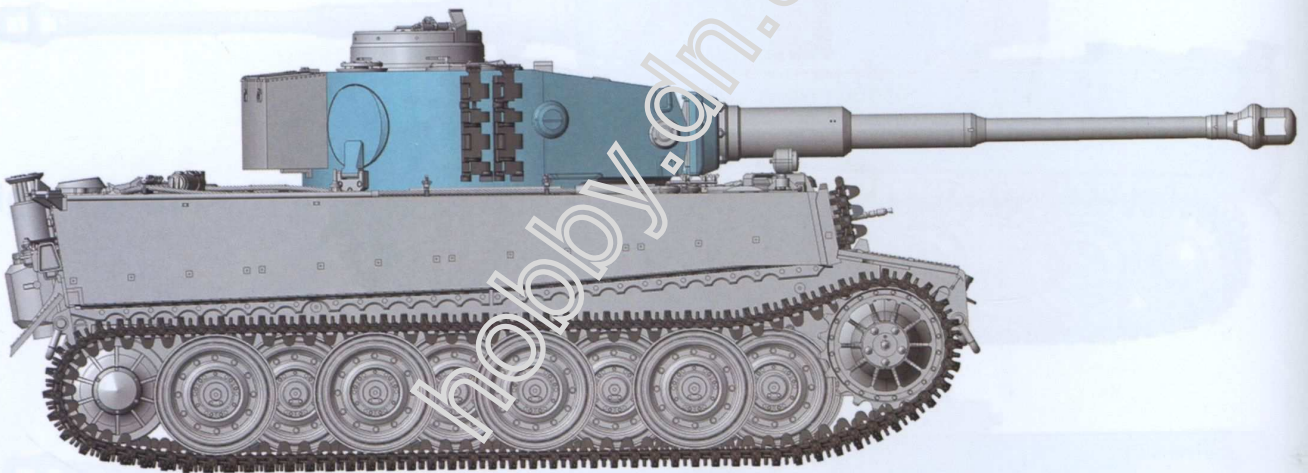
Zimmerit & Other Parts Assembly

Zimmerit

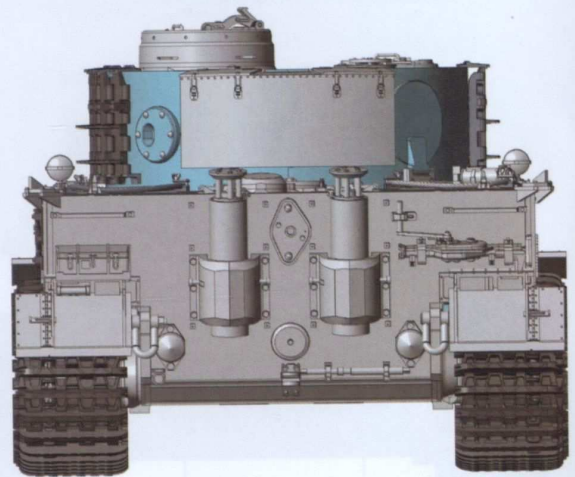
F01



F2



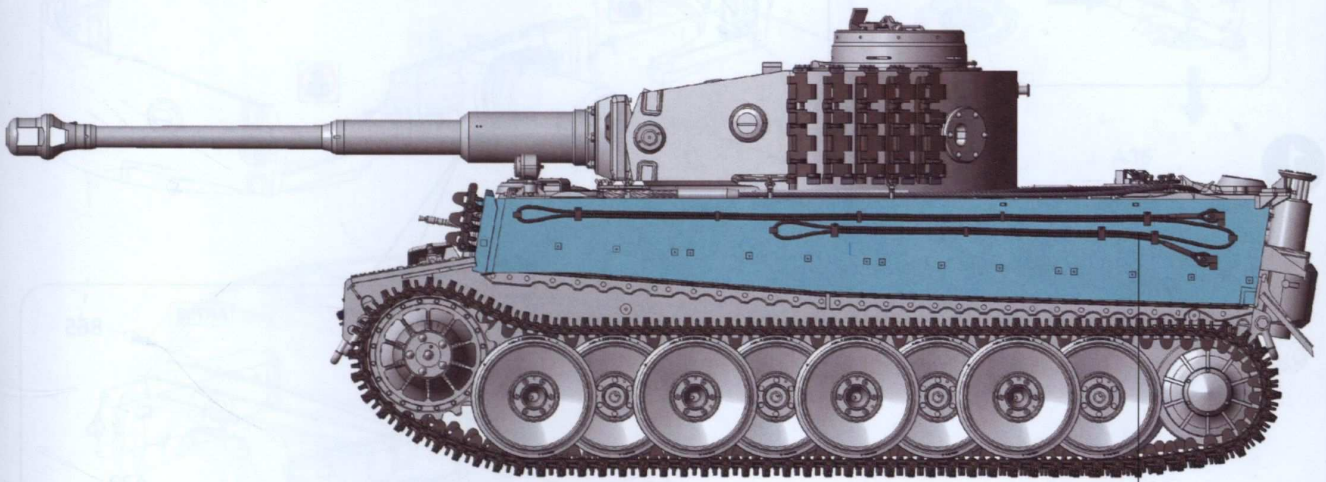
P29



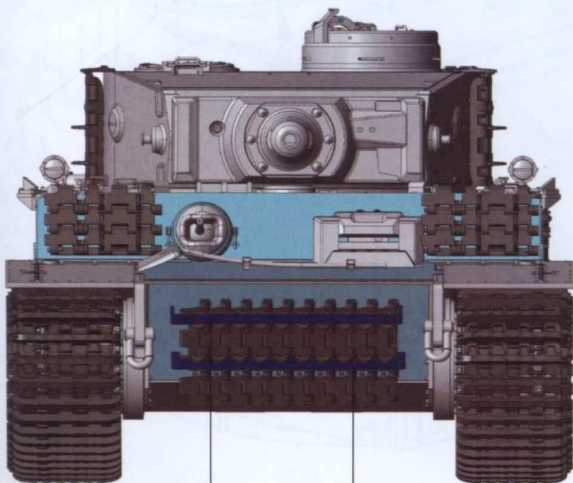
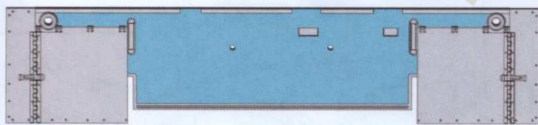
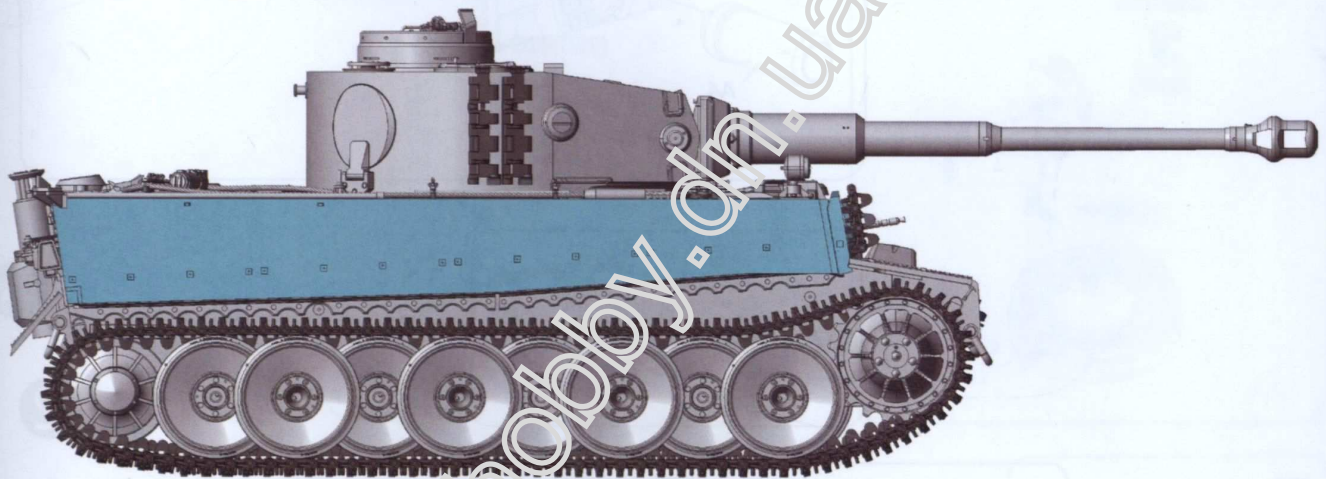
Zimmerit & Other Parts Assembly

Zimmerit

F02

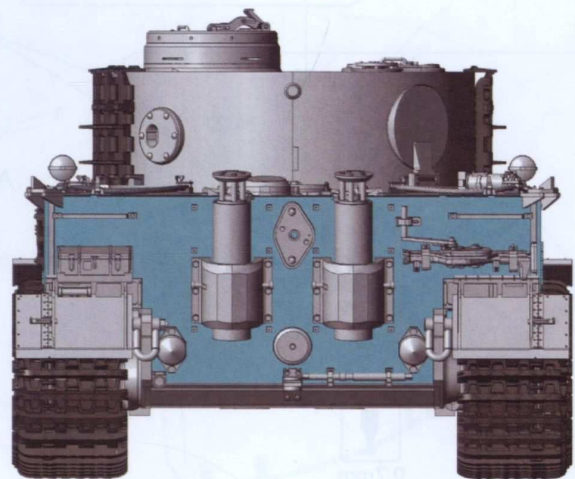


F2

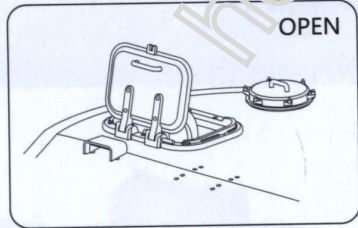
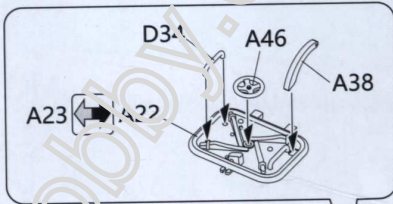
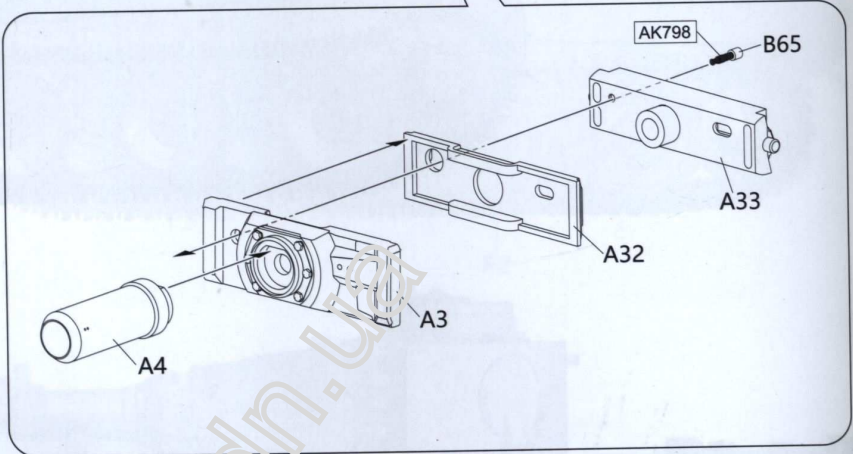
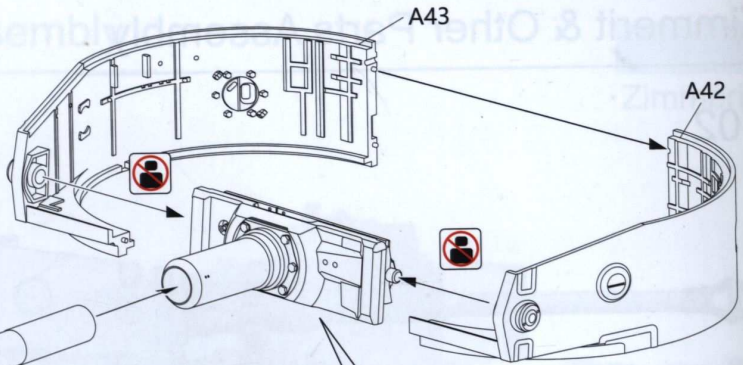
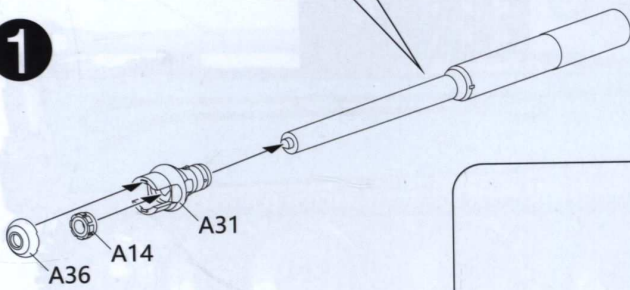
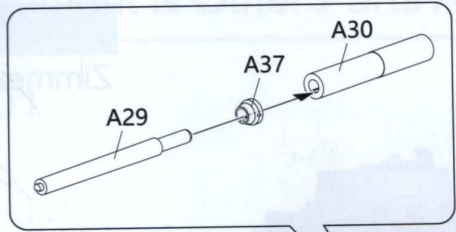


B74

B75



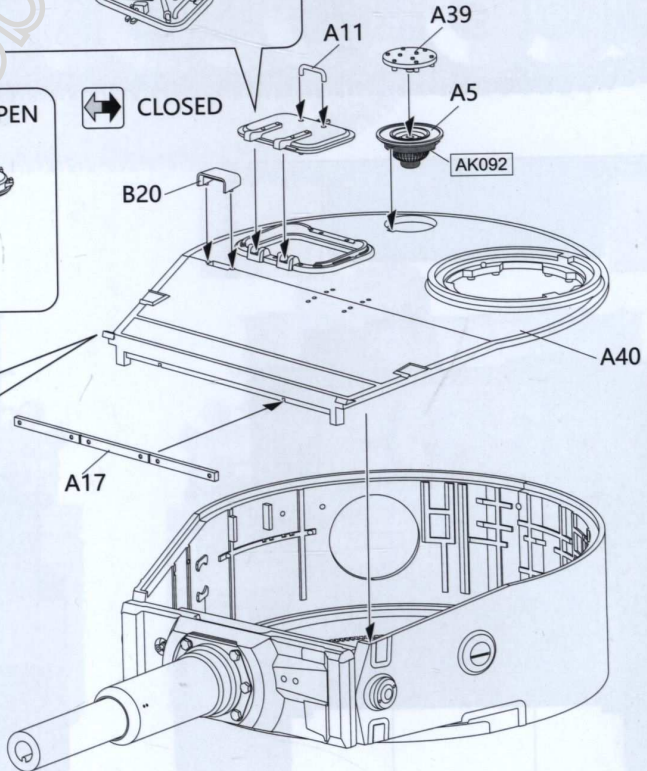
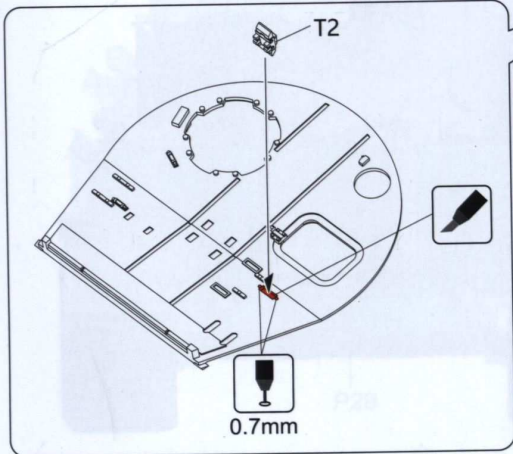
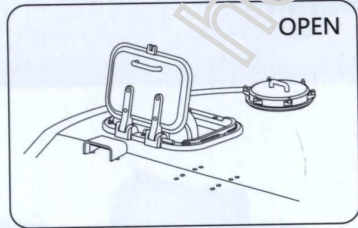
1



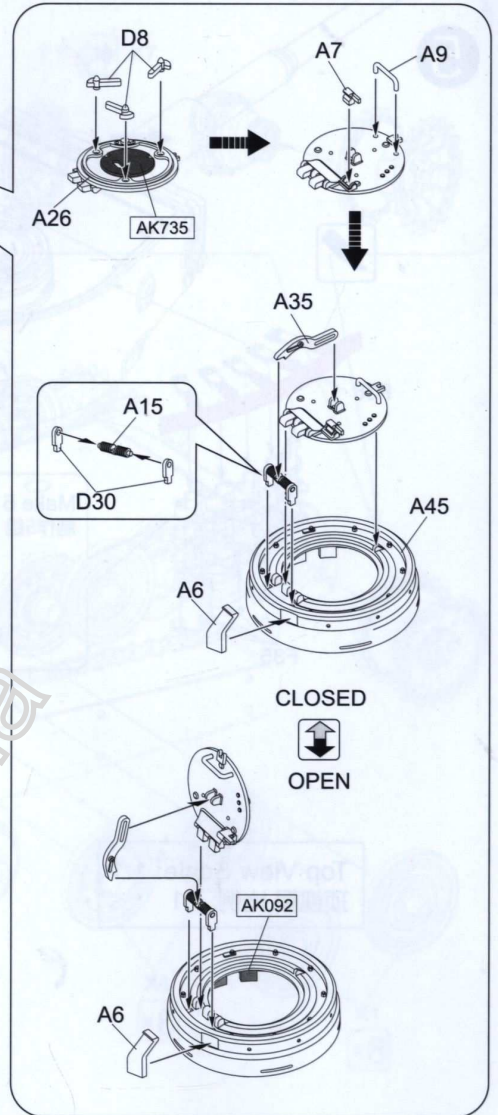
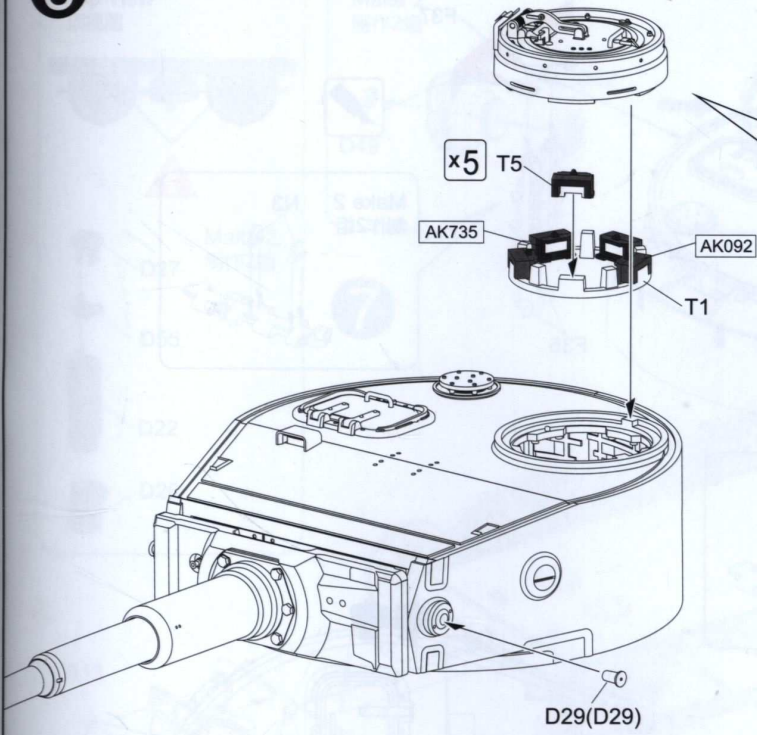
2

OPEN

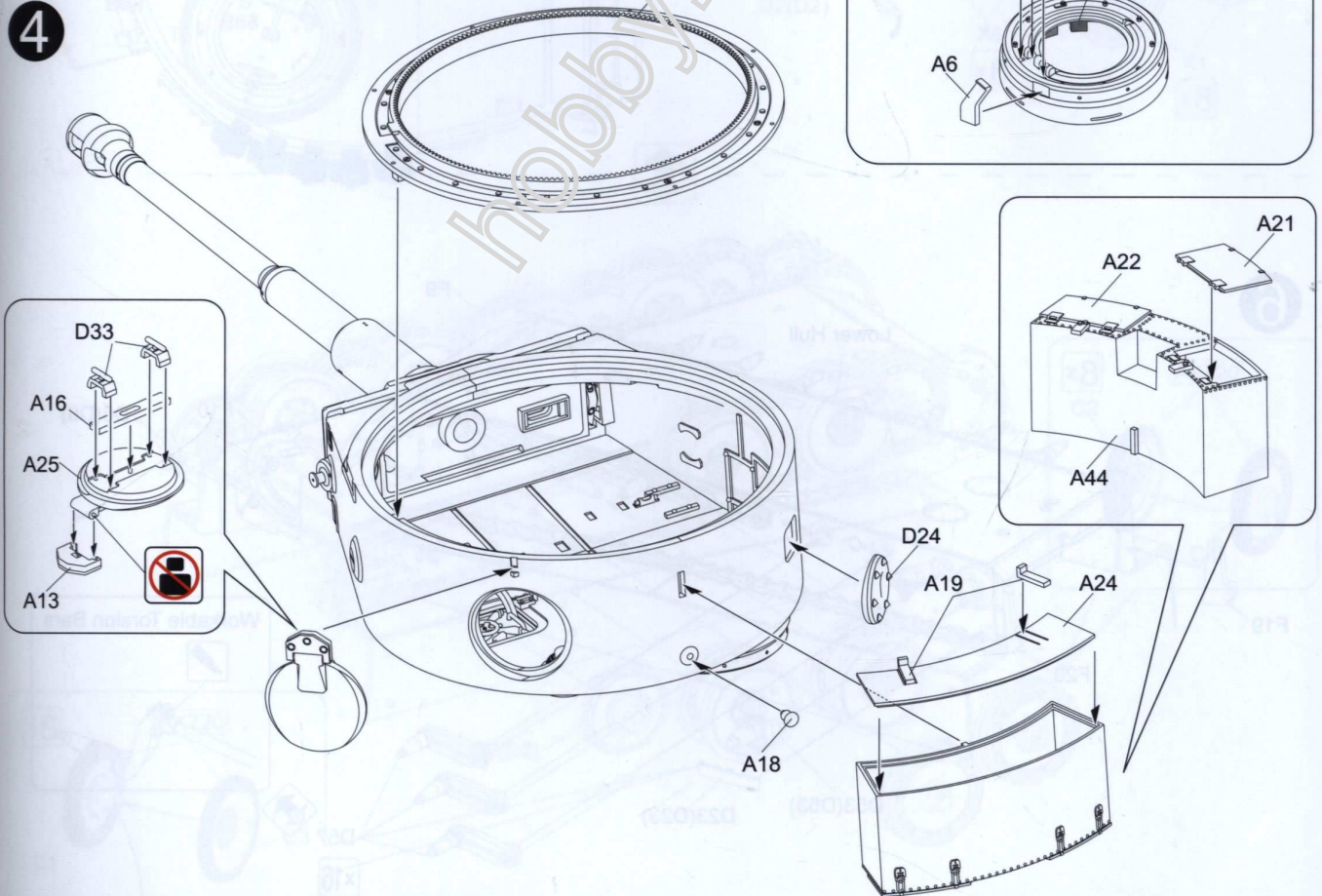
CLOSED



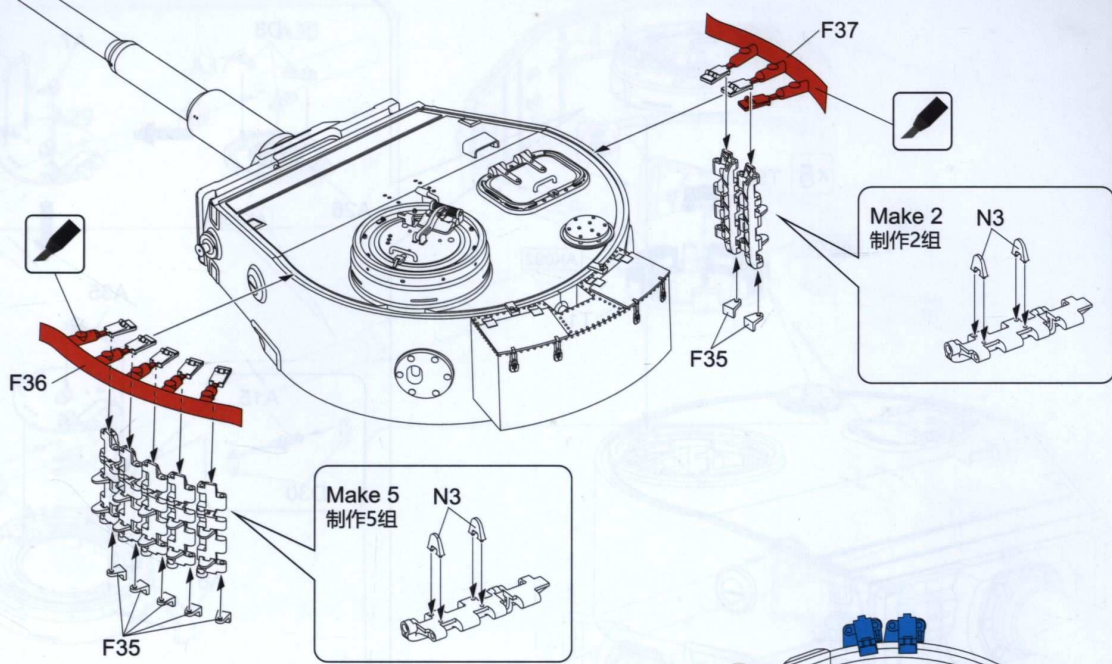
3



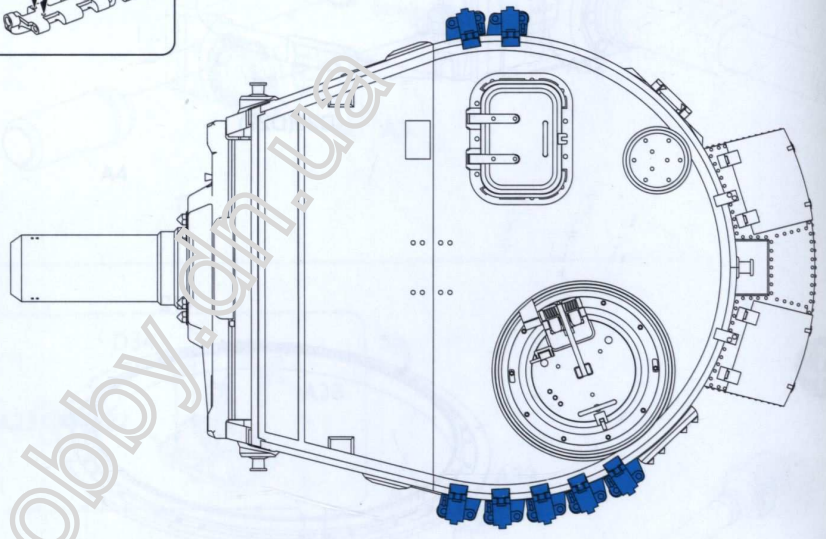
4



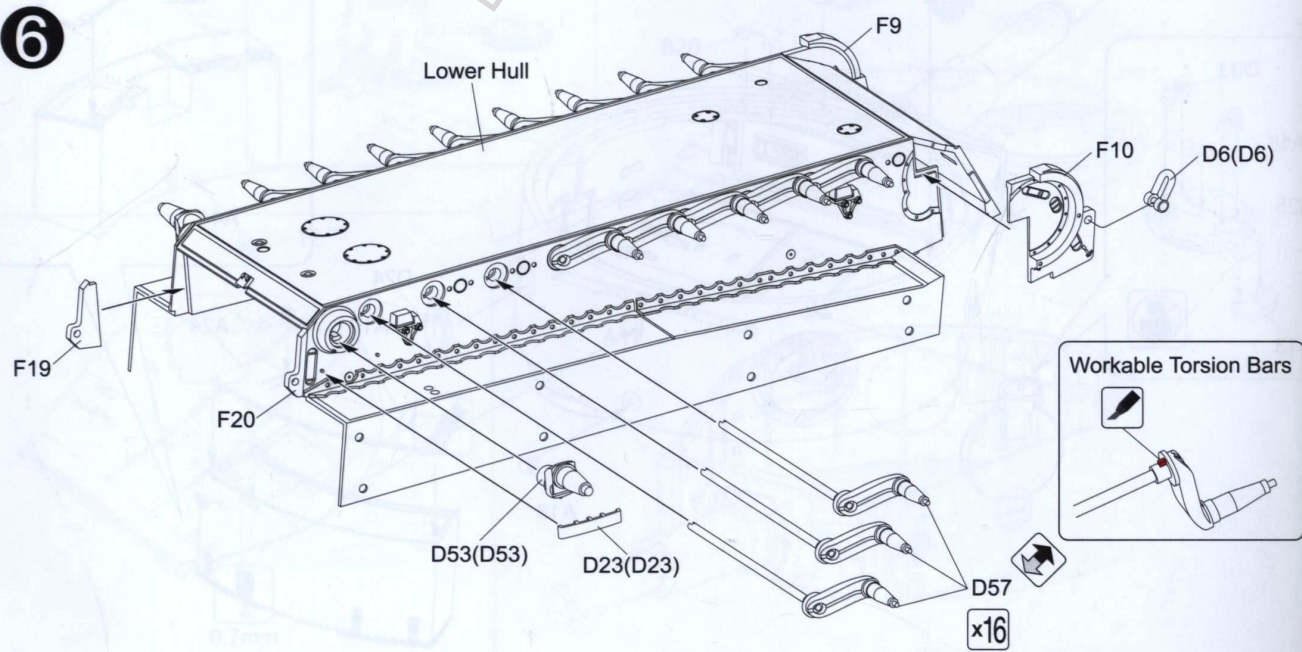
5



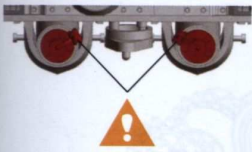
Top View Scale: 1:1
顶视图 比例: 1:1



6



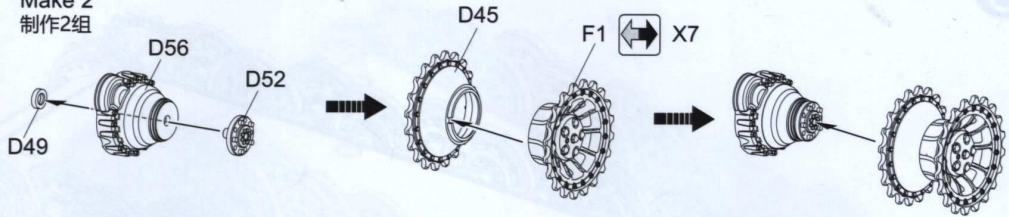
Top View
顶视图



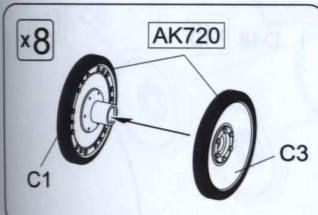
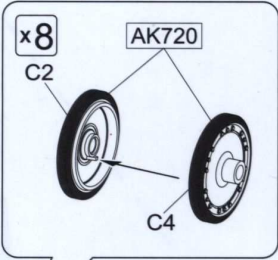
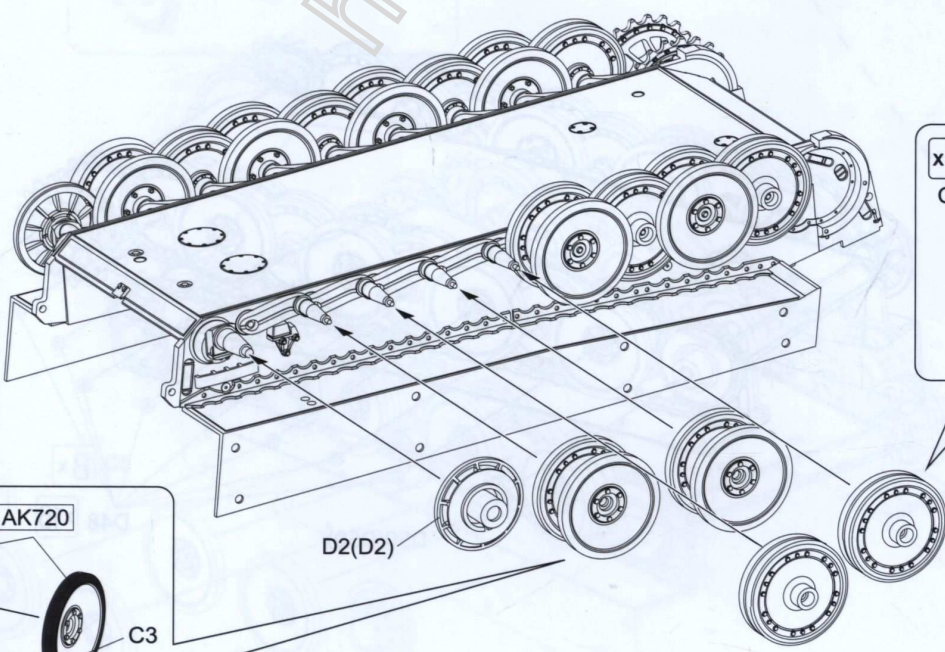
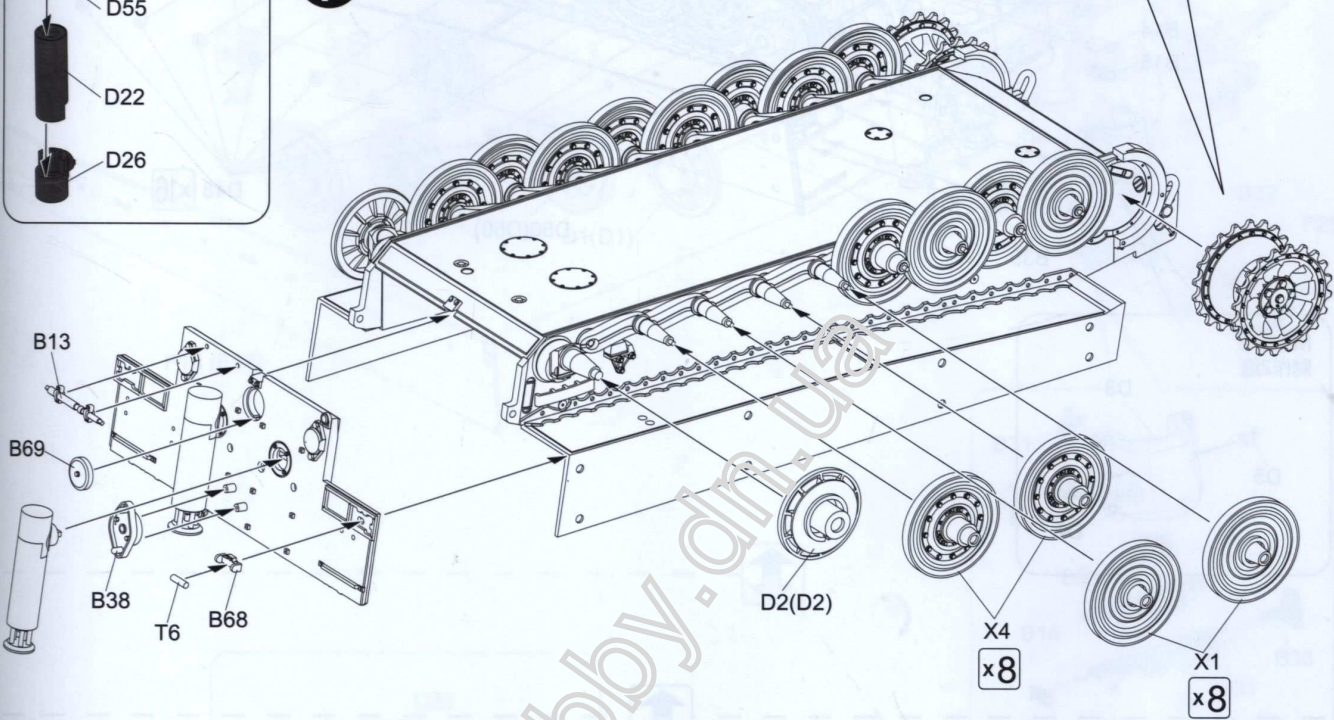
Make 2
制作2组



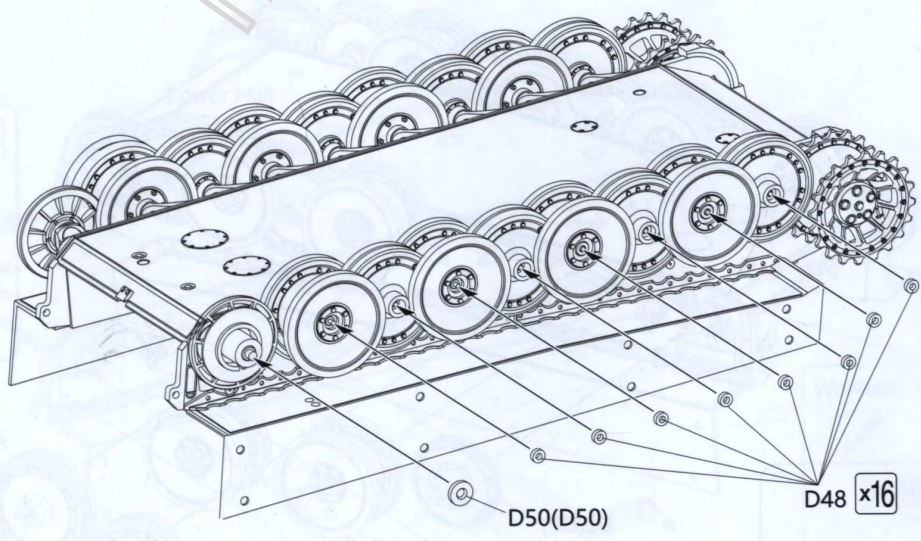
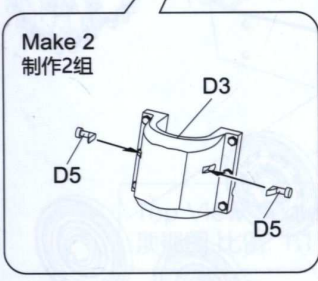
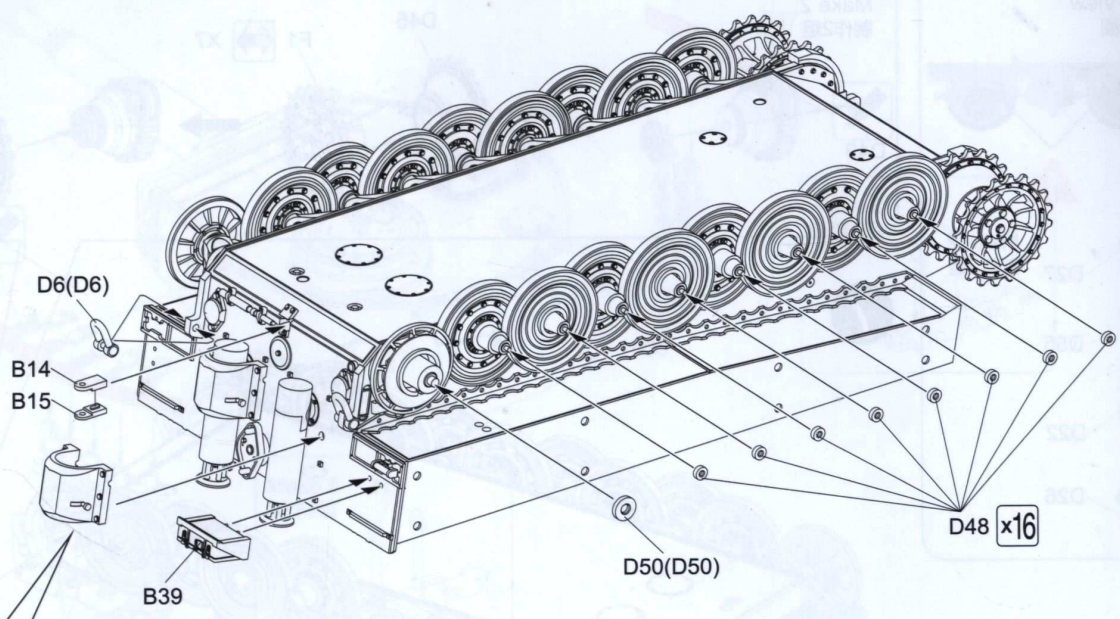
Make 2
制作2组



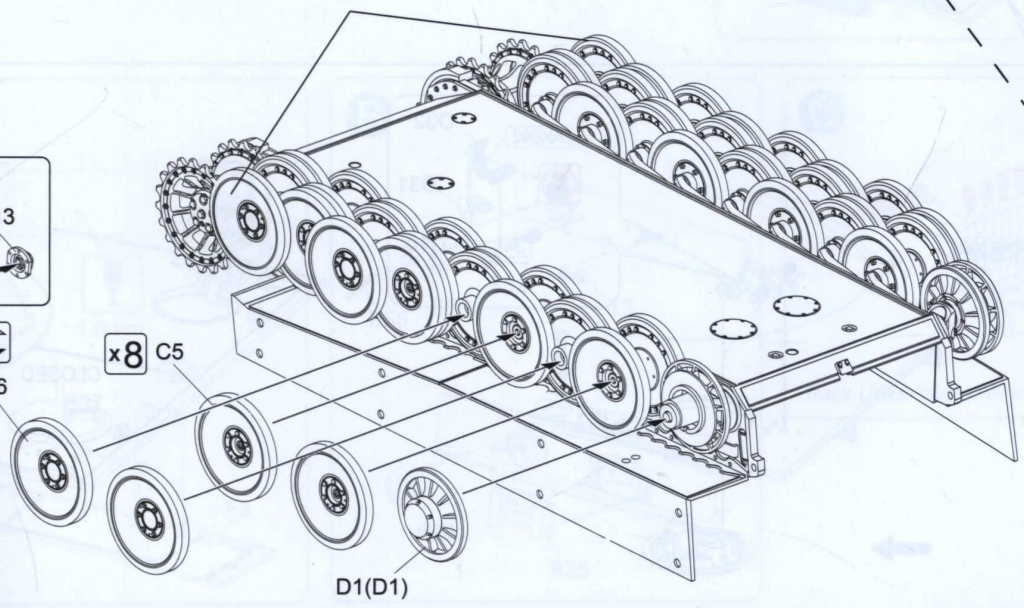
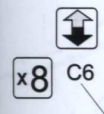
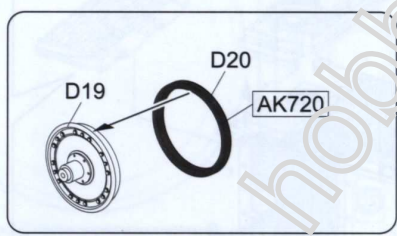
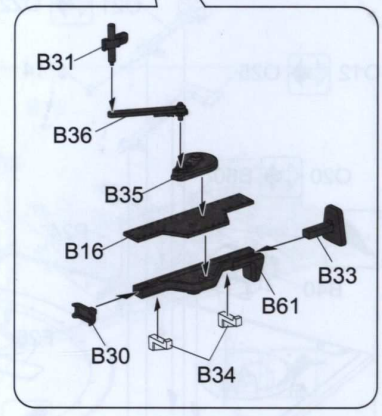
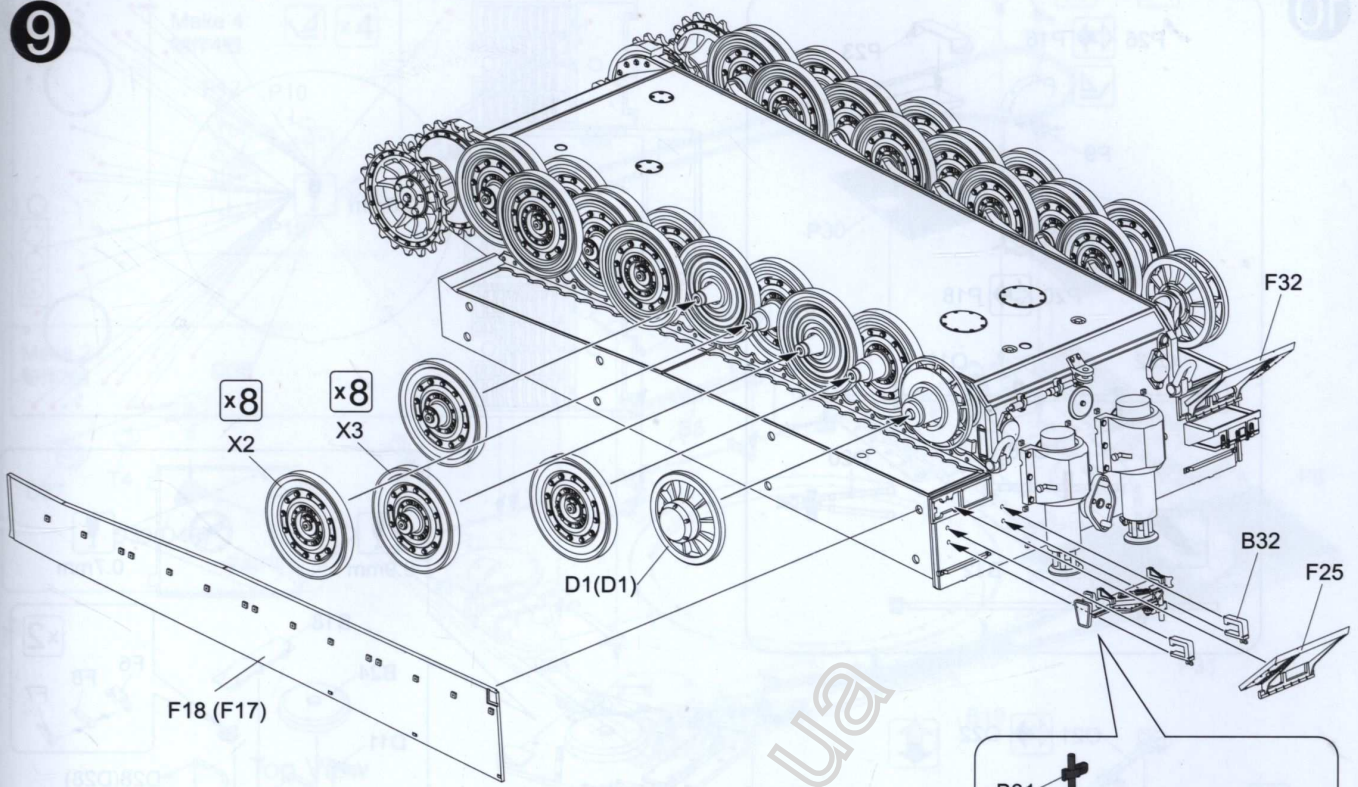
7



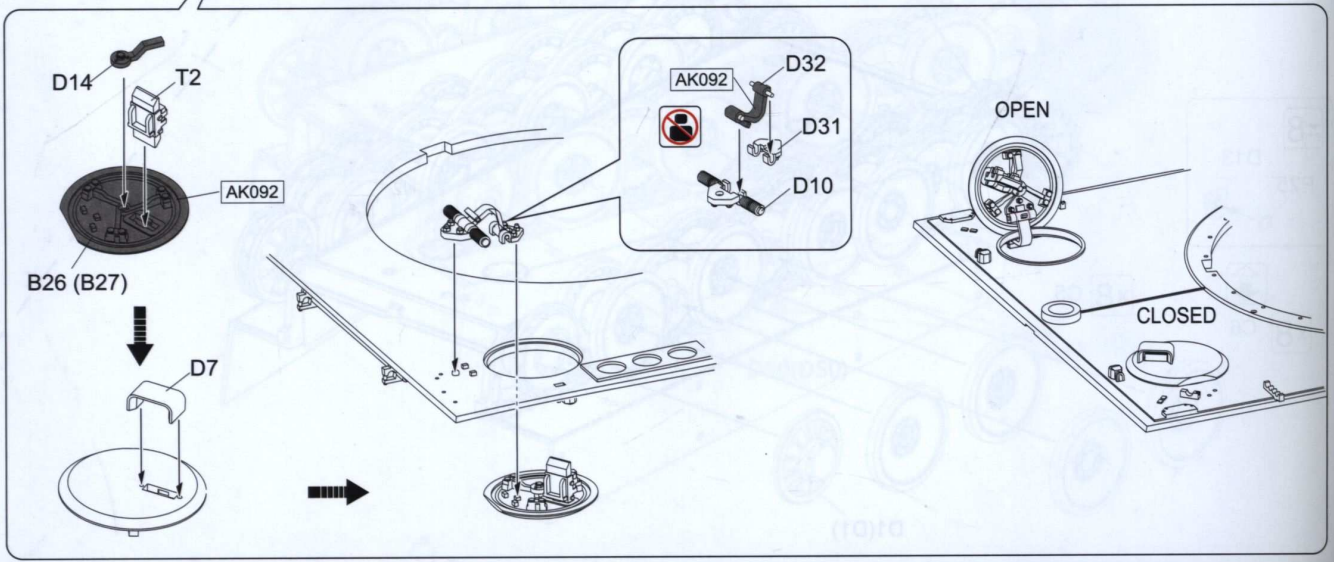
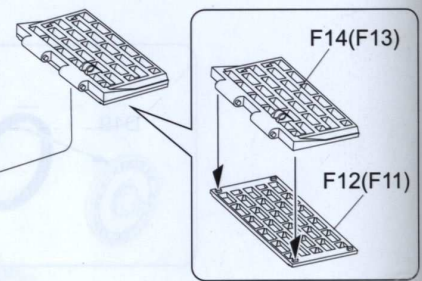
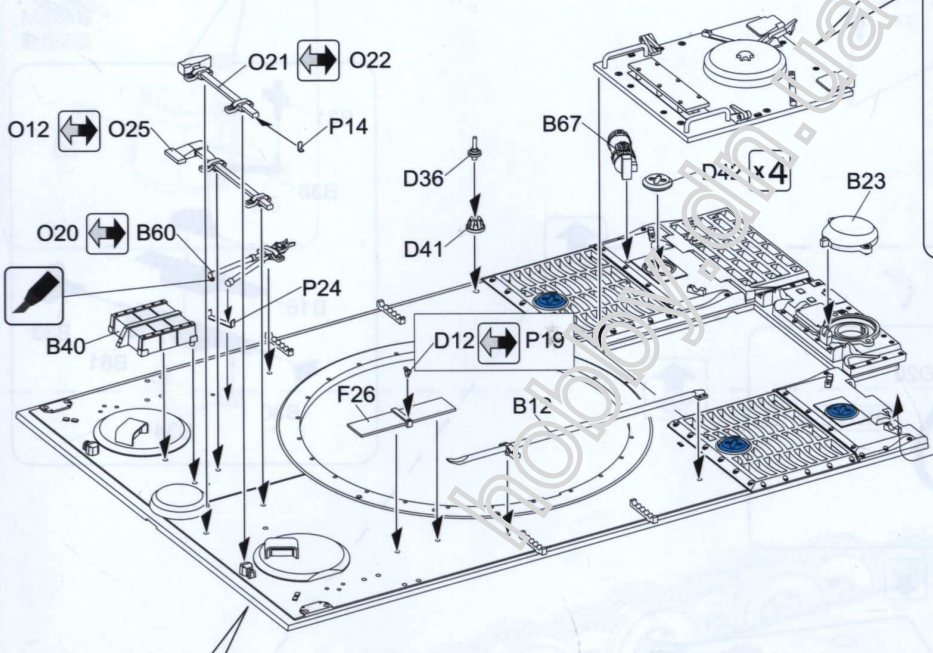
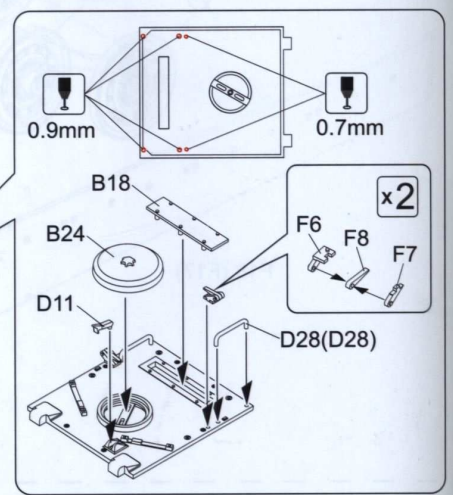
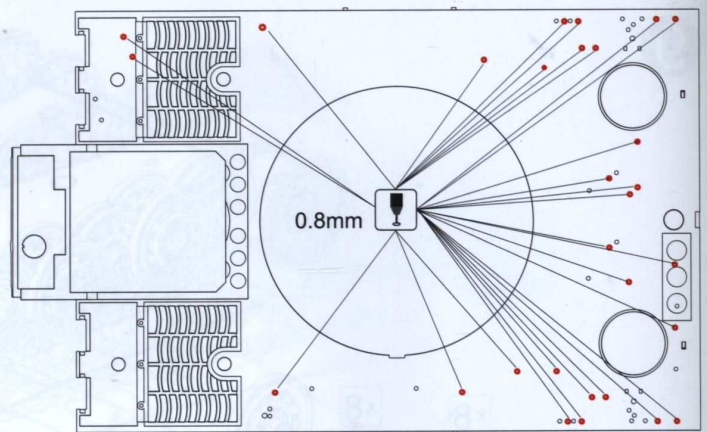
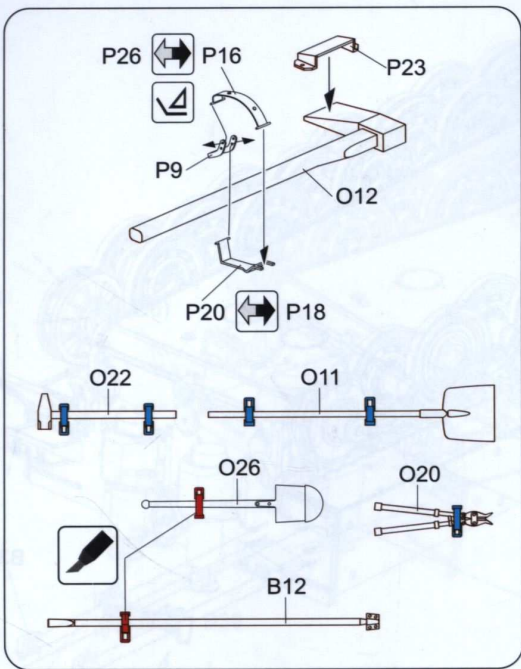
8



9



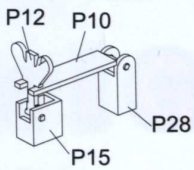
10



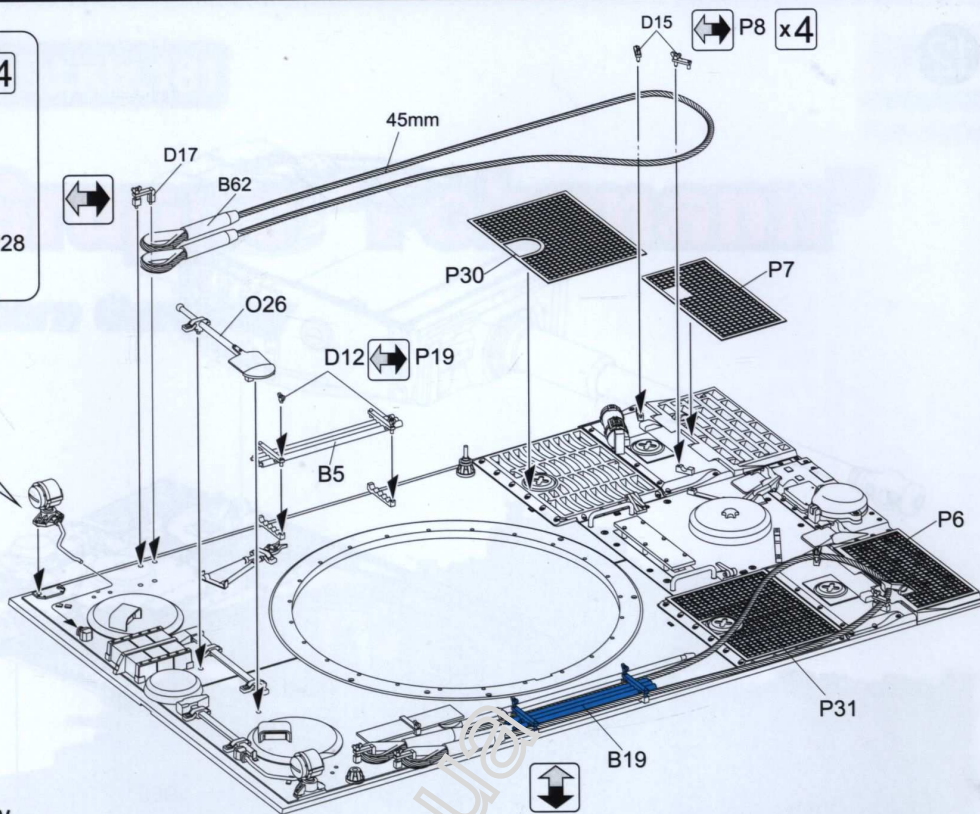
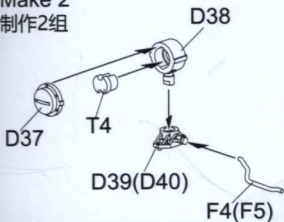
11

Make 4
制作4组

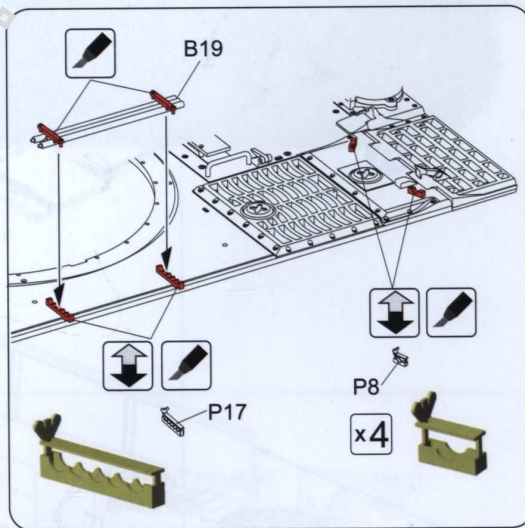
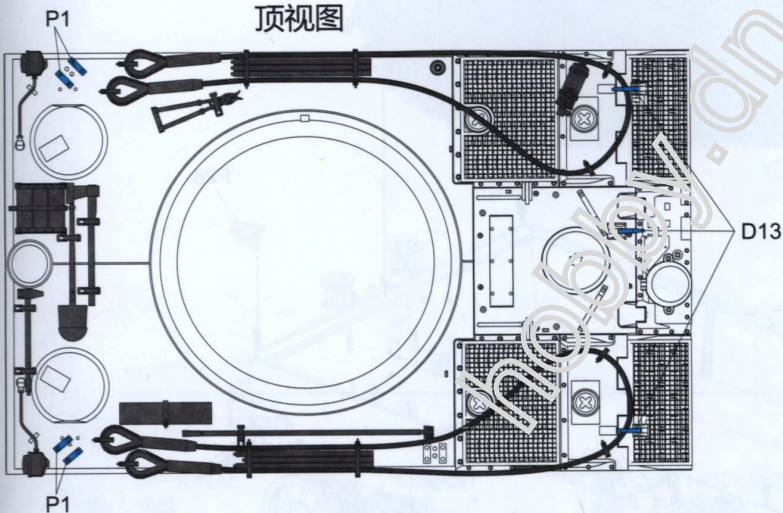
x4



Make 2
制作2组



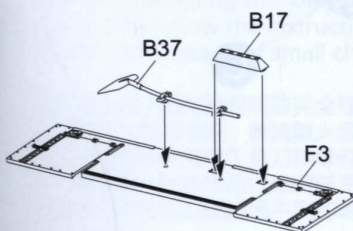
Top View
顶视图



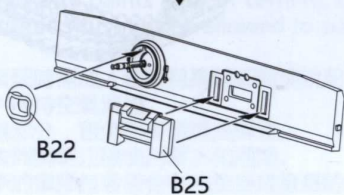
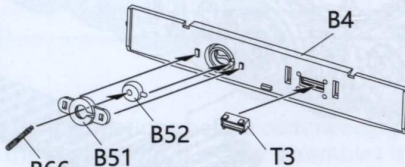
A



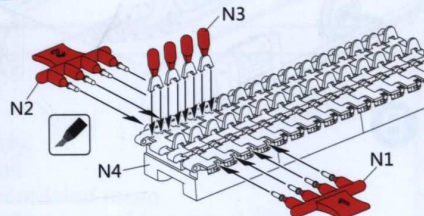
1.0mm



B



C



Track Links: 96pcs for each side.

12

