



WITH FULL INTERIOR KIT

2IN1

Pz.Kpfw. **IV** Ausf. G/H

ASSEMBLY ICONS



OPTIONAL
选择



CEMENT
膠水



DO NOT CEMENT
不使用膠水



INSTANT CEMENT
瞬間接著劑



BEND
彎折



MAKE 2
製作2組



OPEN HOLE
鑽孔



REMOVE
切除



BE CAREFUL
注意



APPLY DECAL
貼上水貼紙

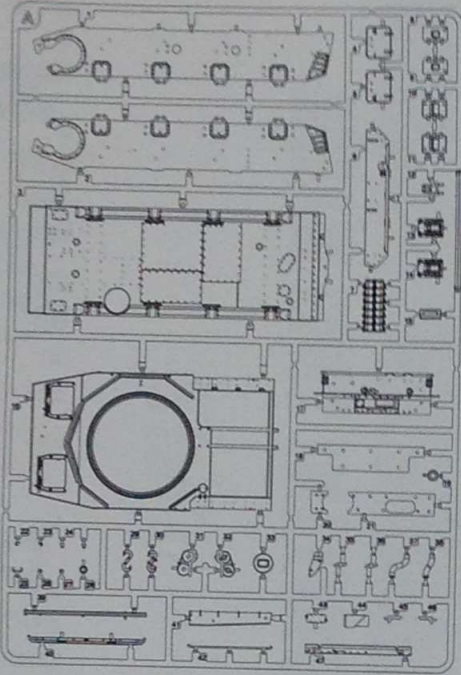
CAUTION!

Read carefully and fully understand the instructions before commencing assembly. Supervising adult should also read the instructions if a child assembles the model. When you used glue or paint, do not use near a naked flame, and use in a well-ventilated room. When assembling this kit, tools including knives are used. Extra care should be taken to avoid personal injury. Read and follow the instructions supplied with paints and/ or cement. Use plastic cement and paints only. Keep out of reach of small children. Children must not be allowed to suck any part, or pull vinyl bag over the head.

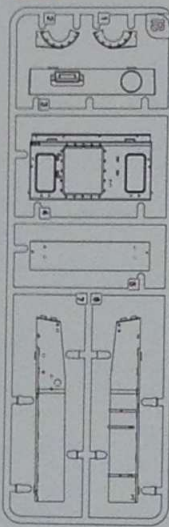
在裝配前仔細閱讀說明並完全理解。小孩裝配時需成人看護且需仔細閱讀說明。使用膠水和油漆時，應遠離火源並打開窗戶保持空氣流通。製作時請格外注意工具刀和零件的鋒利尖銳部分，避免對身體造成傷害。在使用膠水和油漆前仔細閱讀注意事項，按照說明正確使用膠水和油漆。請將本品放在兒童接觸不到的地方，套件中的塑膠包裝袋會對兒童造成窒息的危險。

PARTS · 部品图

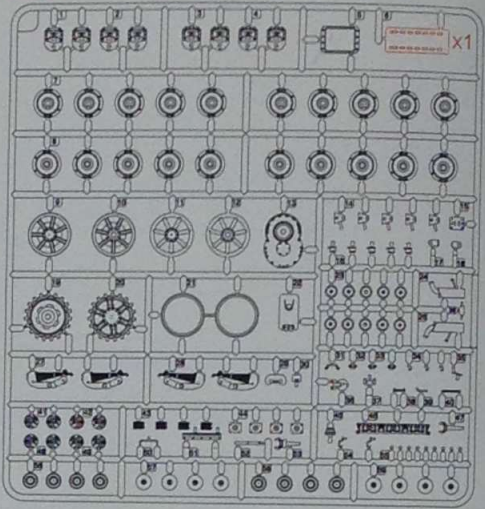
A x1



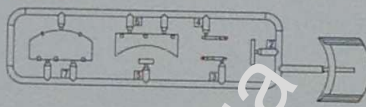
B x1



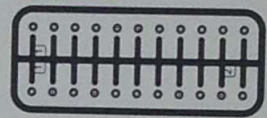
C x2



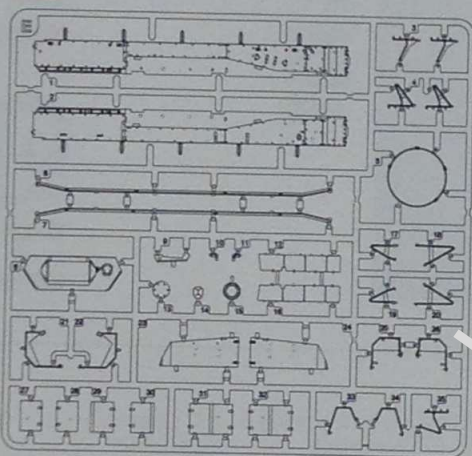
J4 x1



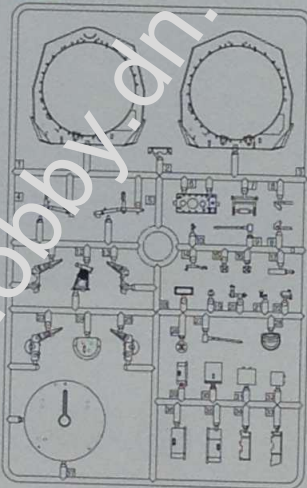
Poly Cap



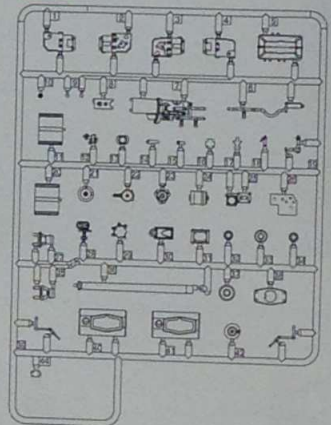
E x1



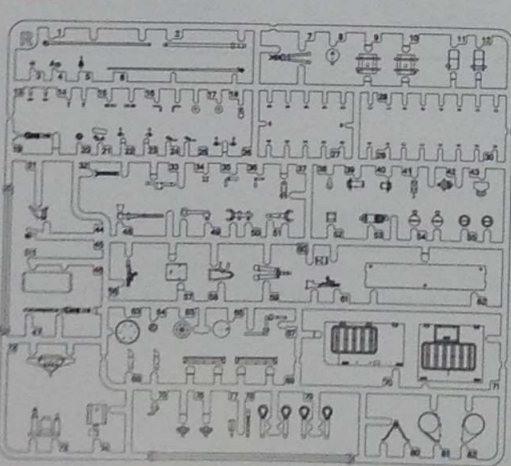
F x1



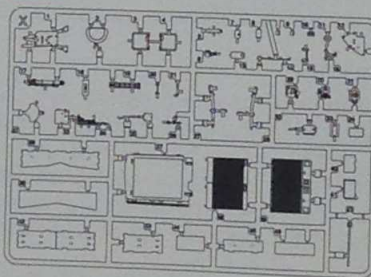
H x1



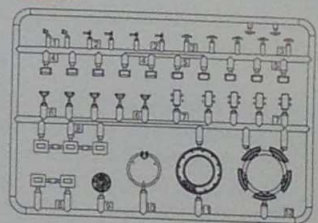
R x1



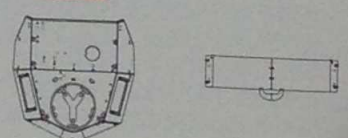
X x1



J1 x1

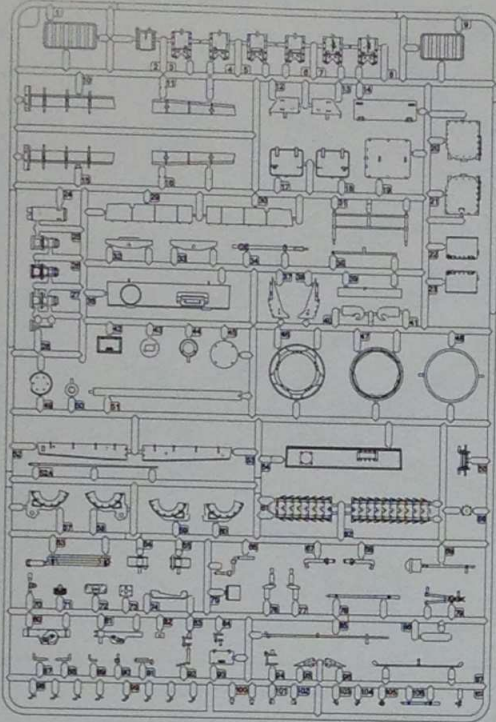


Turret

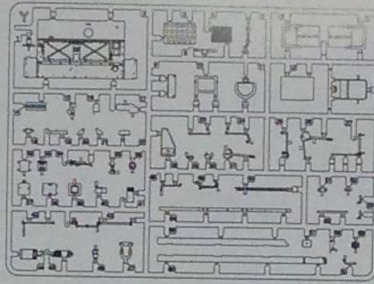


PARTS · 部品图

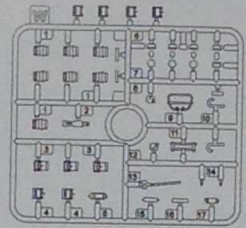
K x1



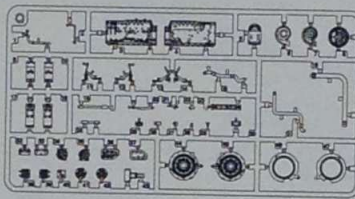
Y x1



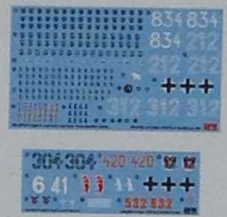
W x1



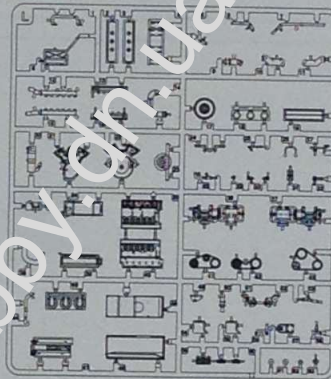
Q x1



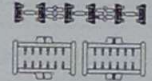
Decal



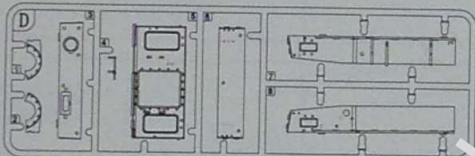
L x1



Tracks x 216



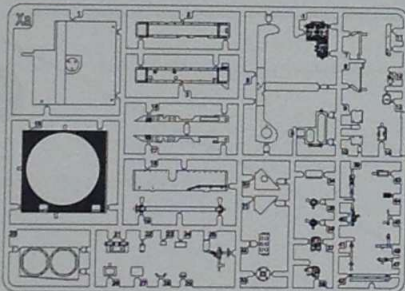
D x1



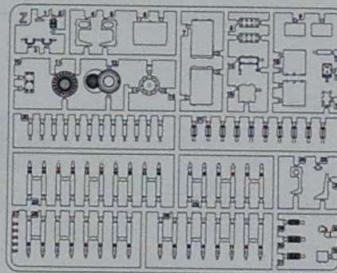
String x 1 300mm



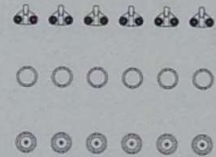
Xa x1



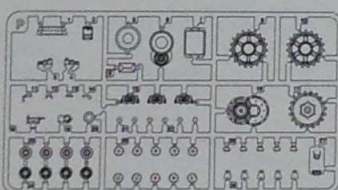
Z x2



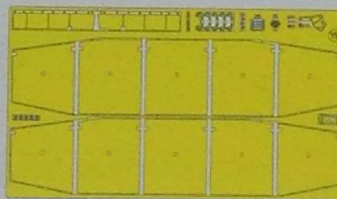
3D printed part
3D打印件



P x2

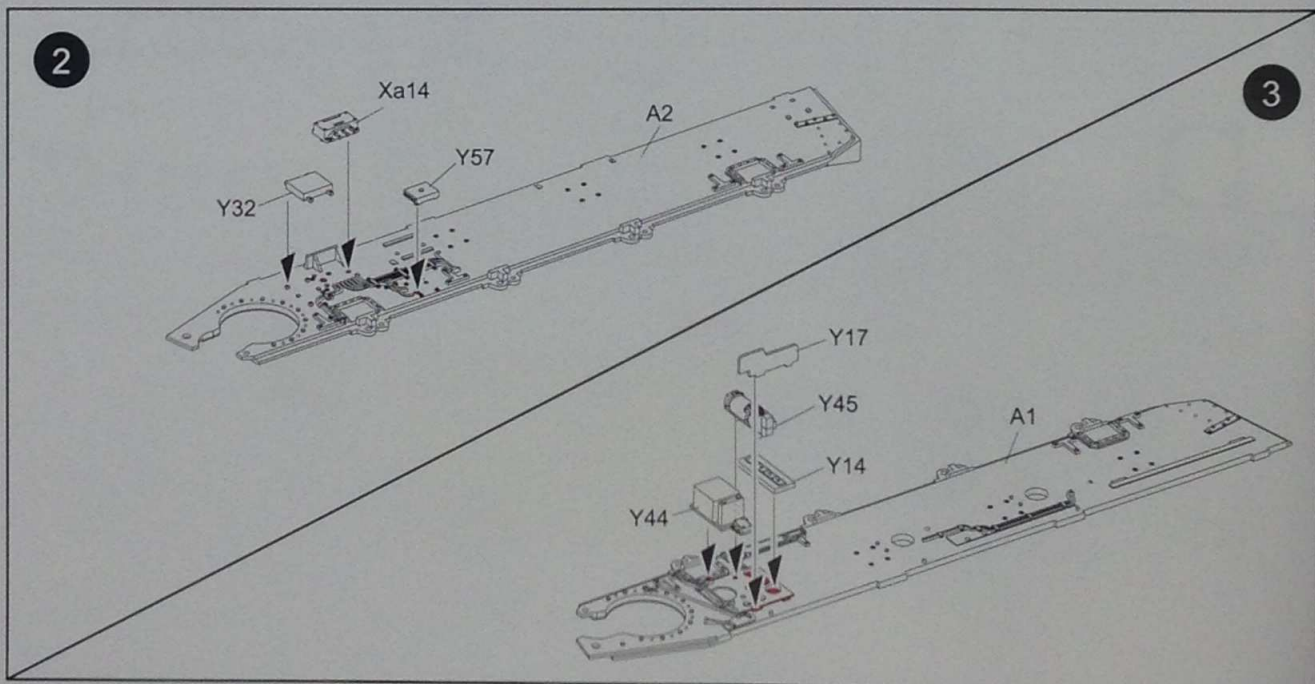
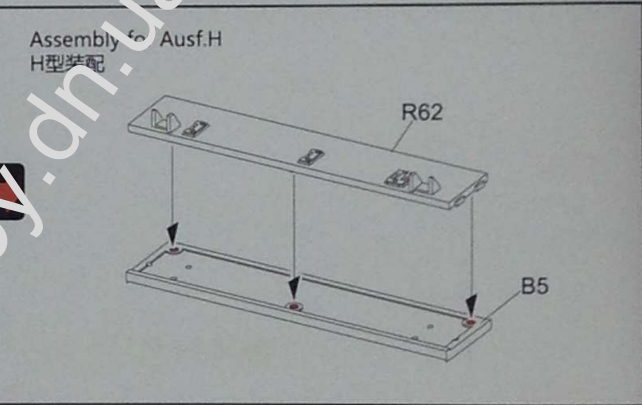
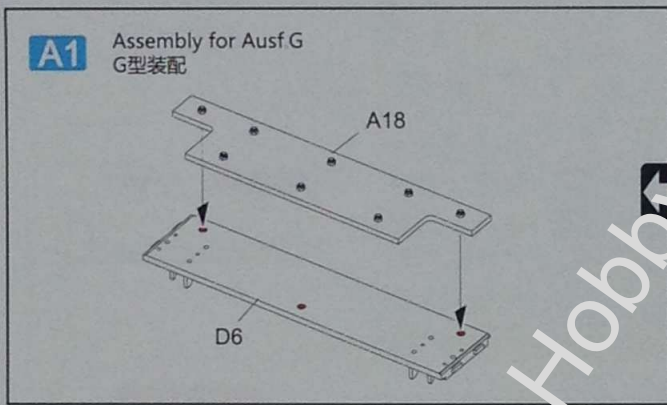
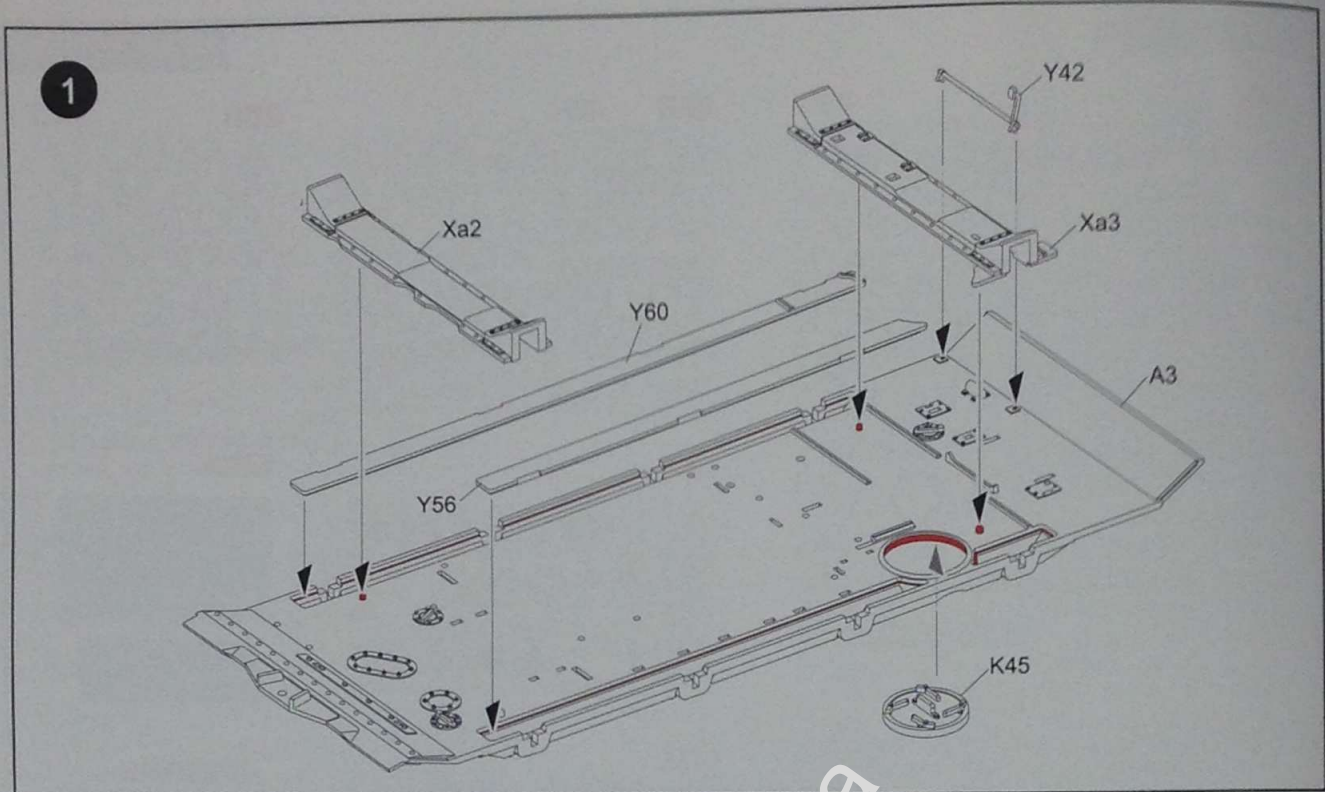


Yb x1

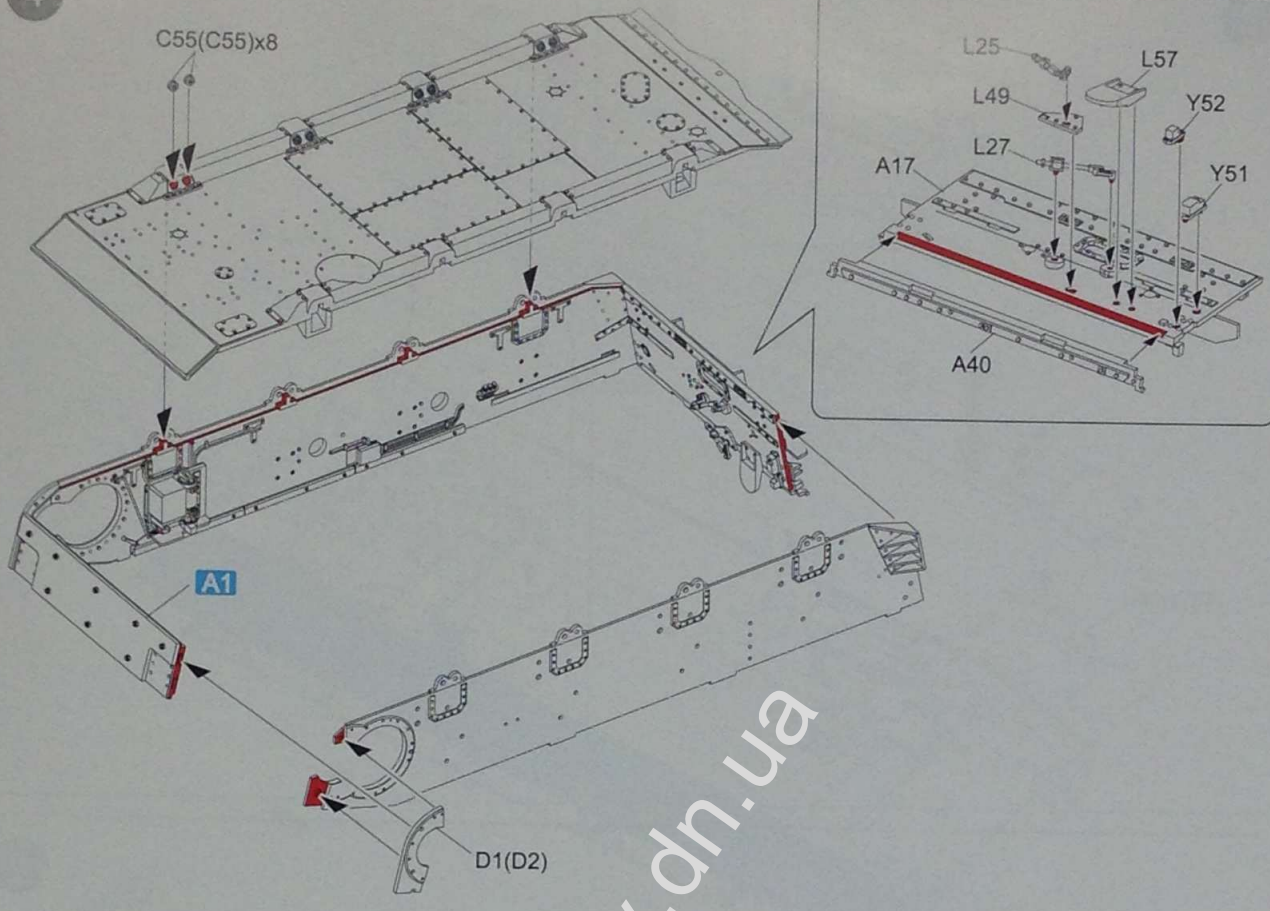


Ya x1

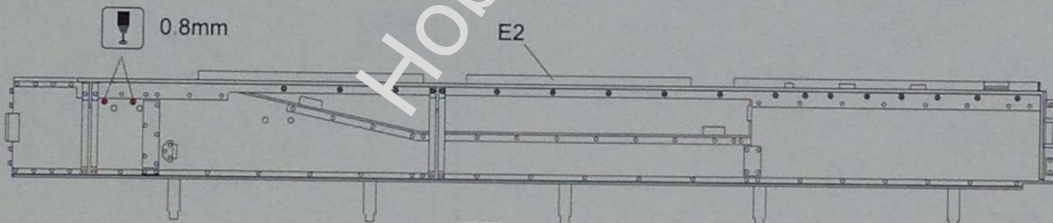




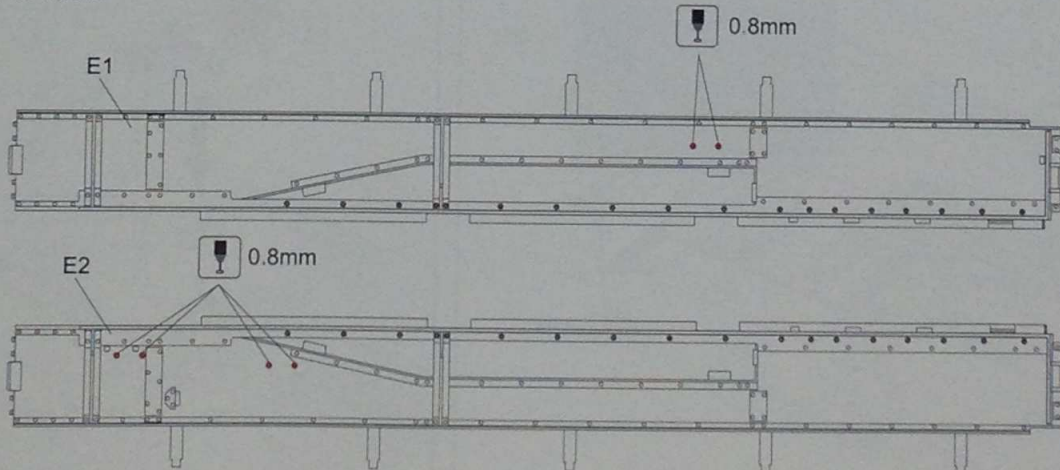
4



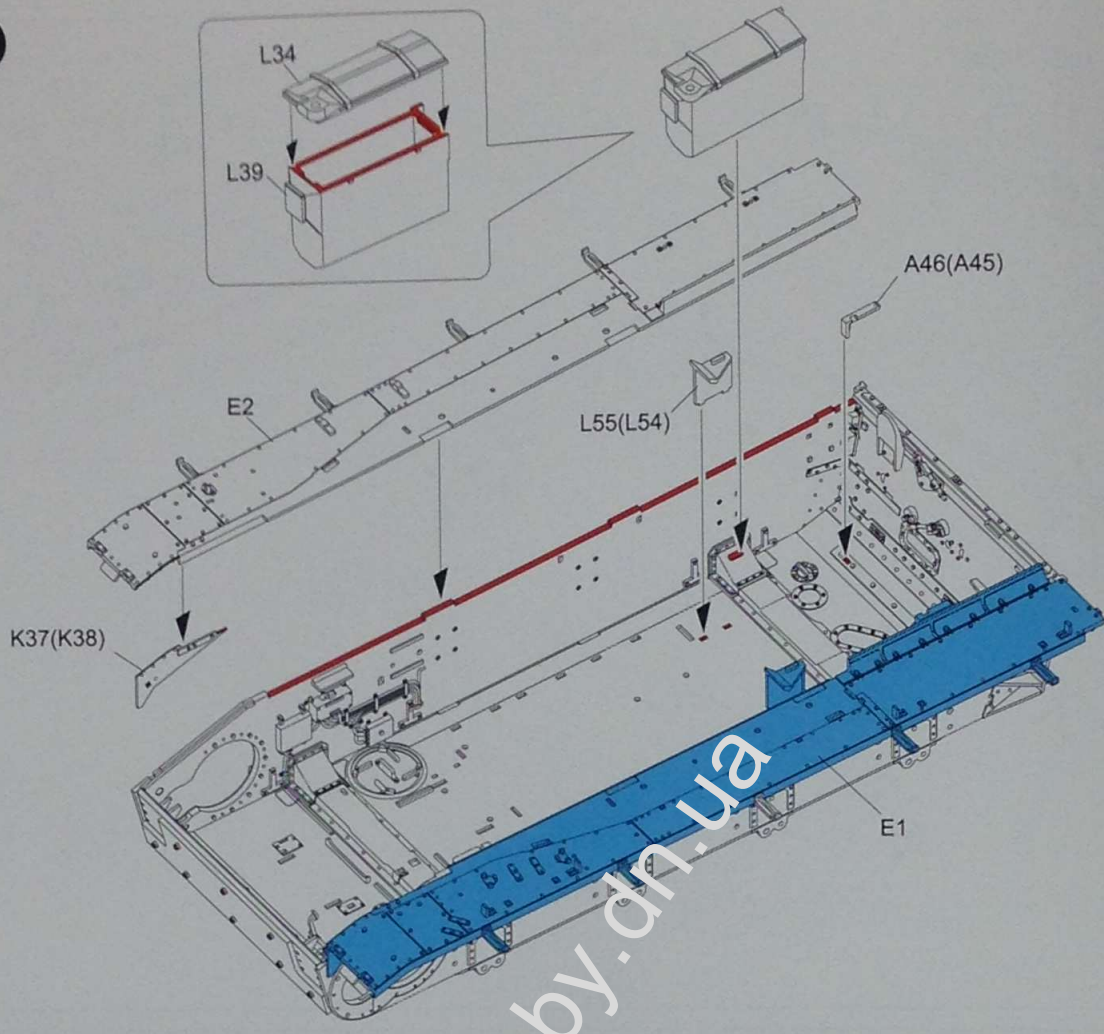
Assembly for Ausf.G
G型装配



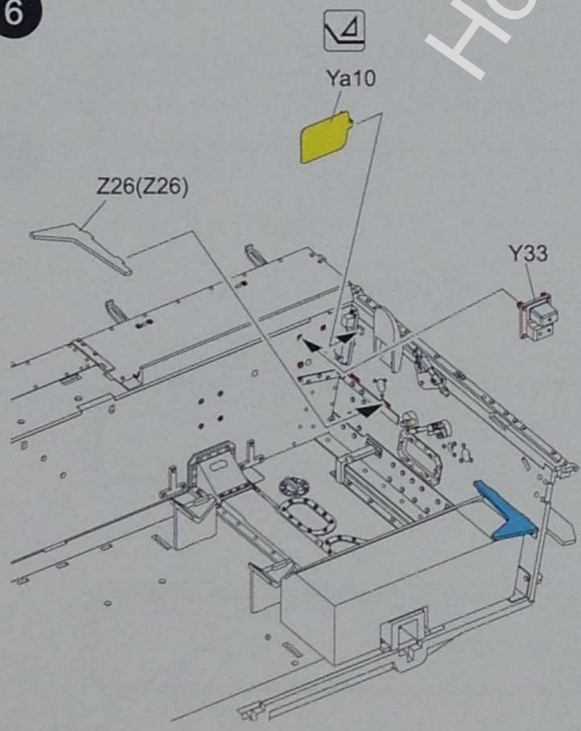
Assembly for Ausf.H
H型装配



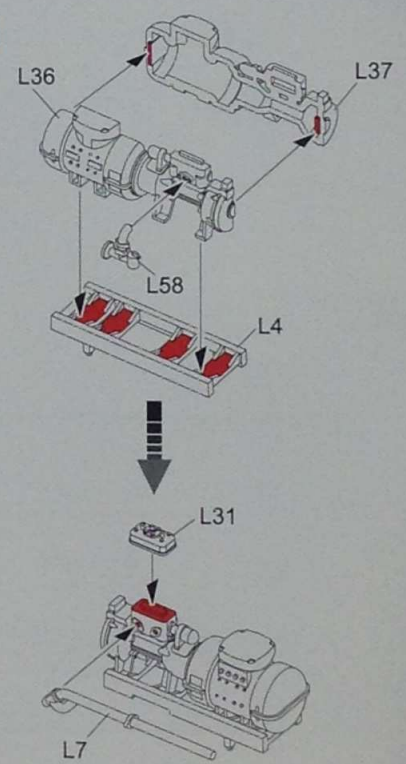
5

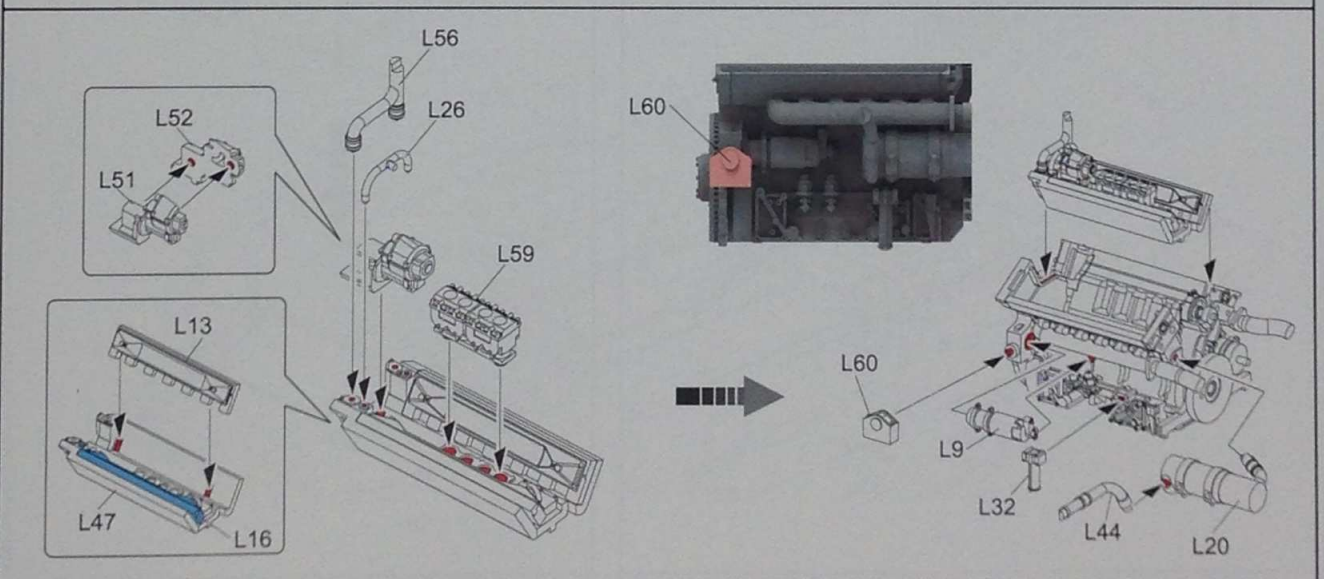
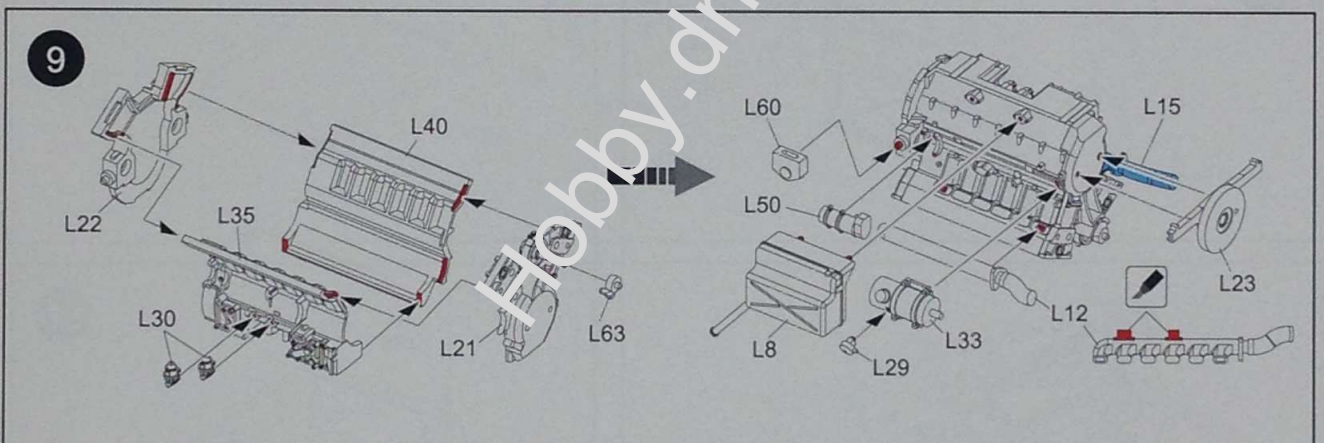
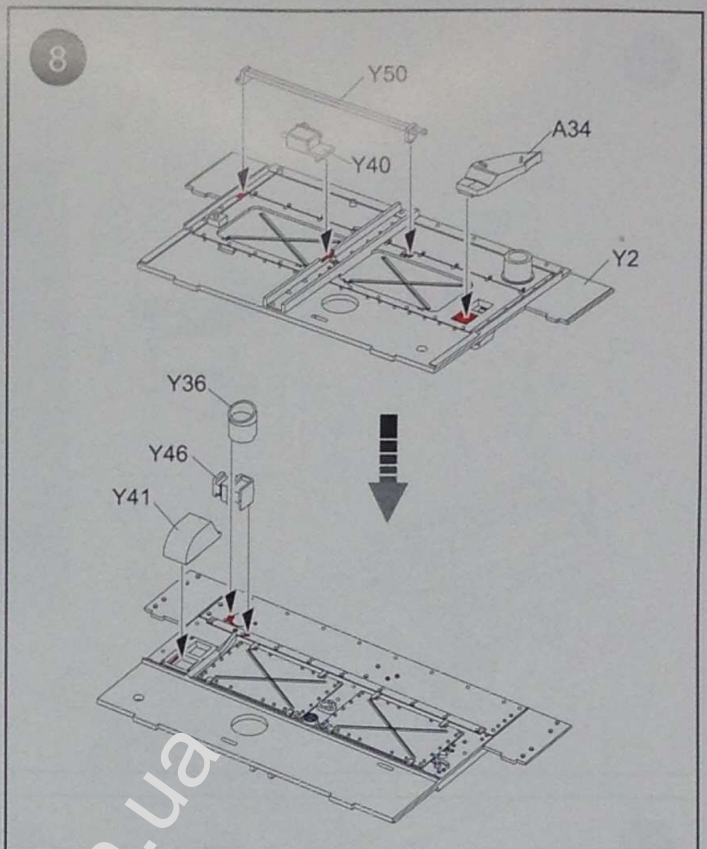
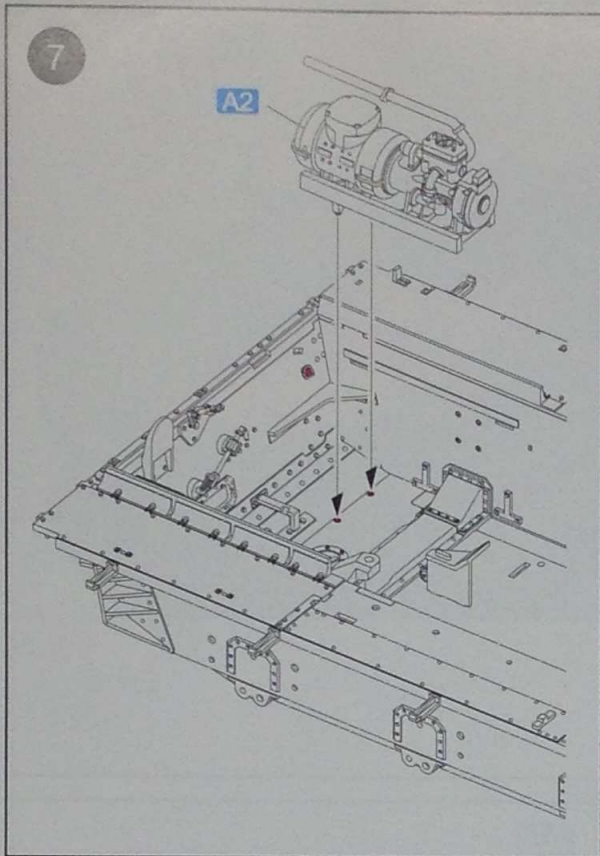


6

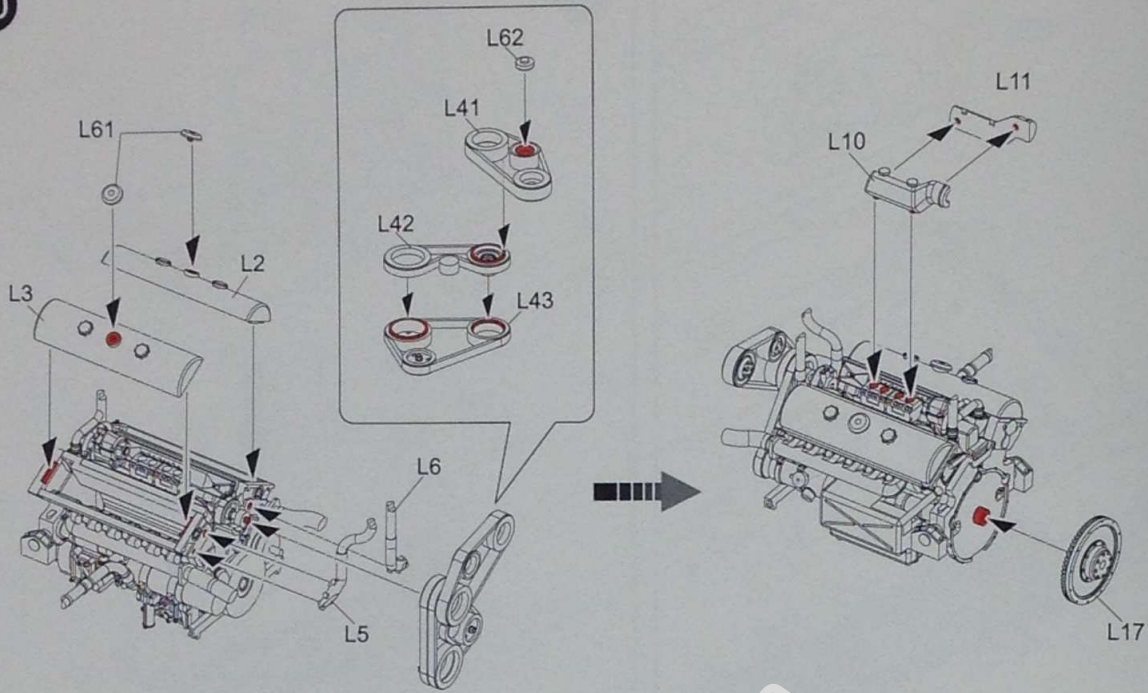


A2

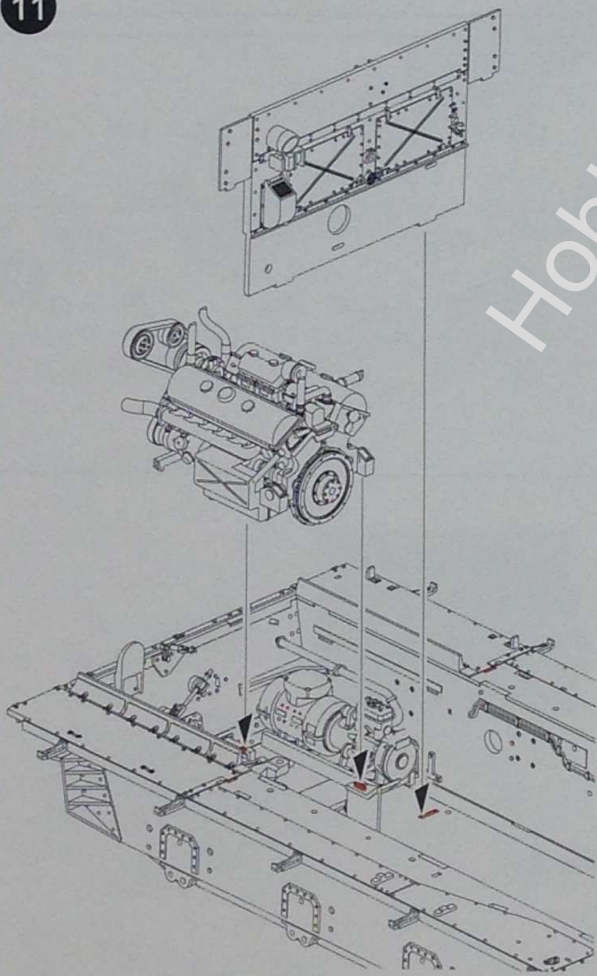




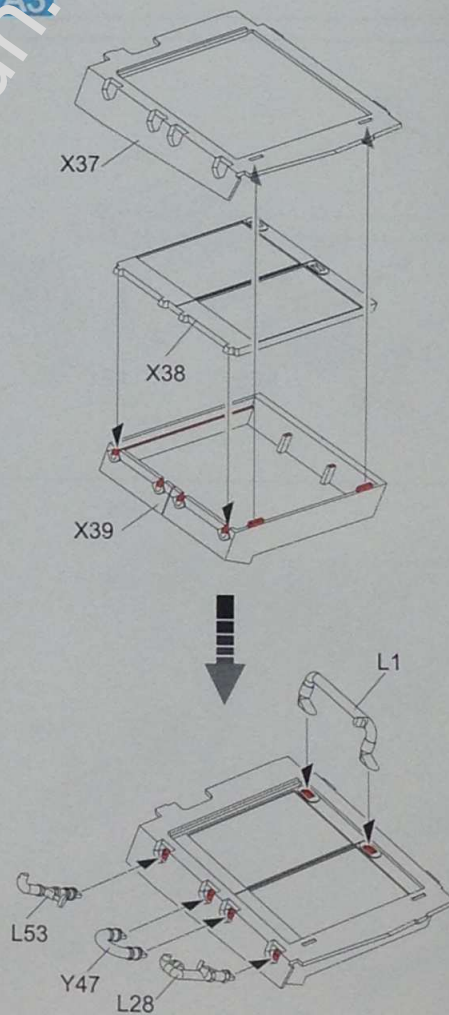
10



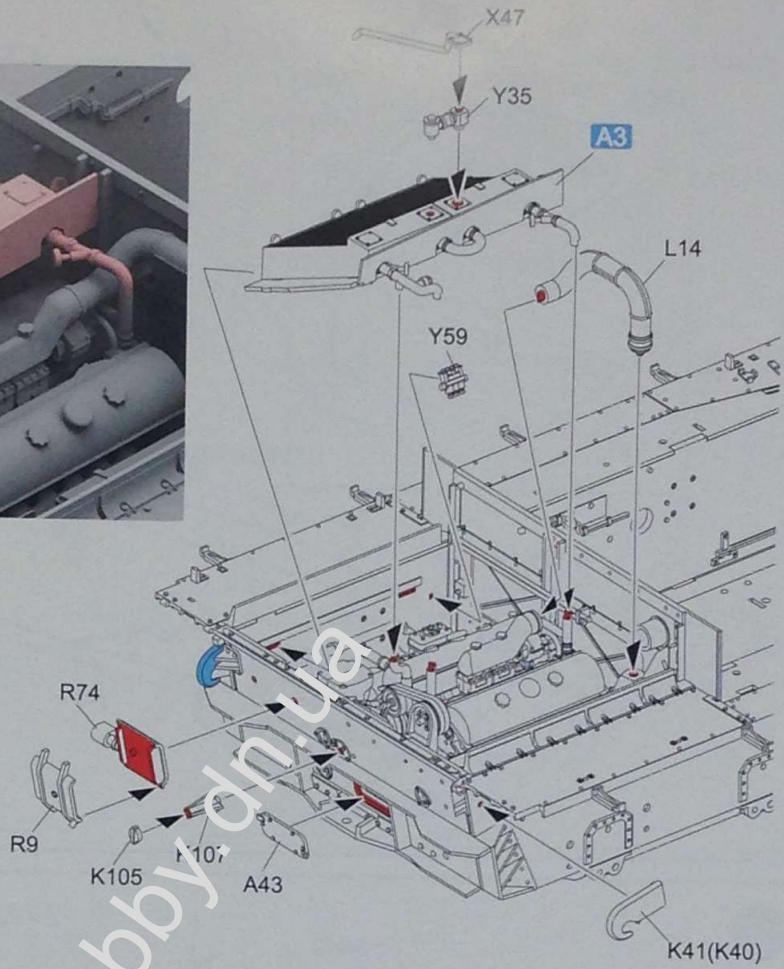
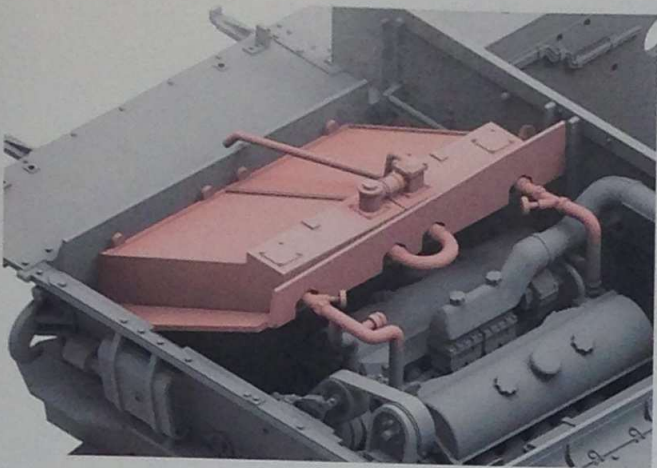
11



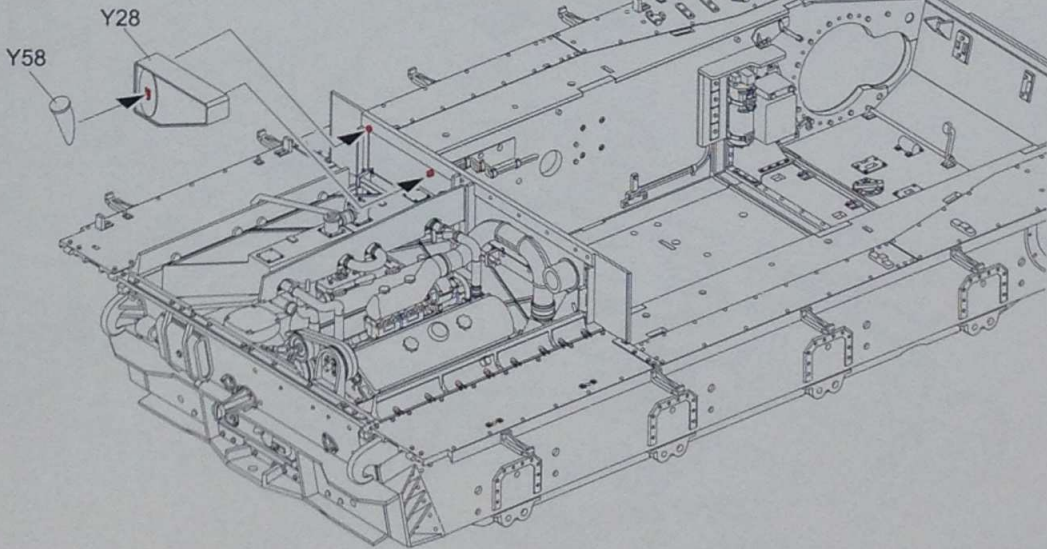
A3



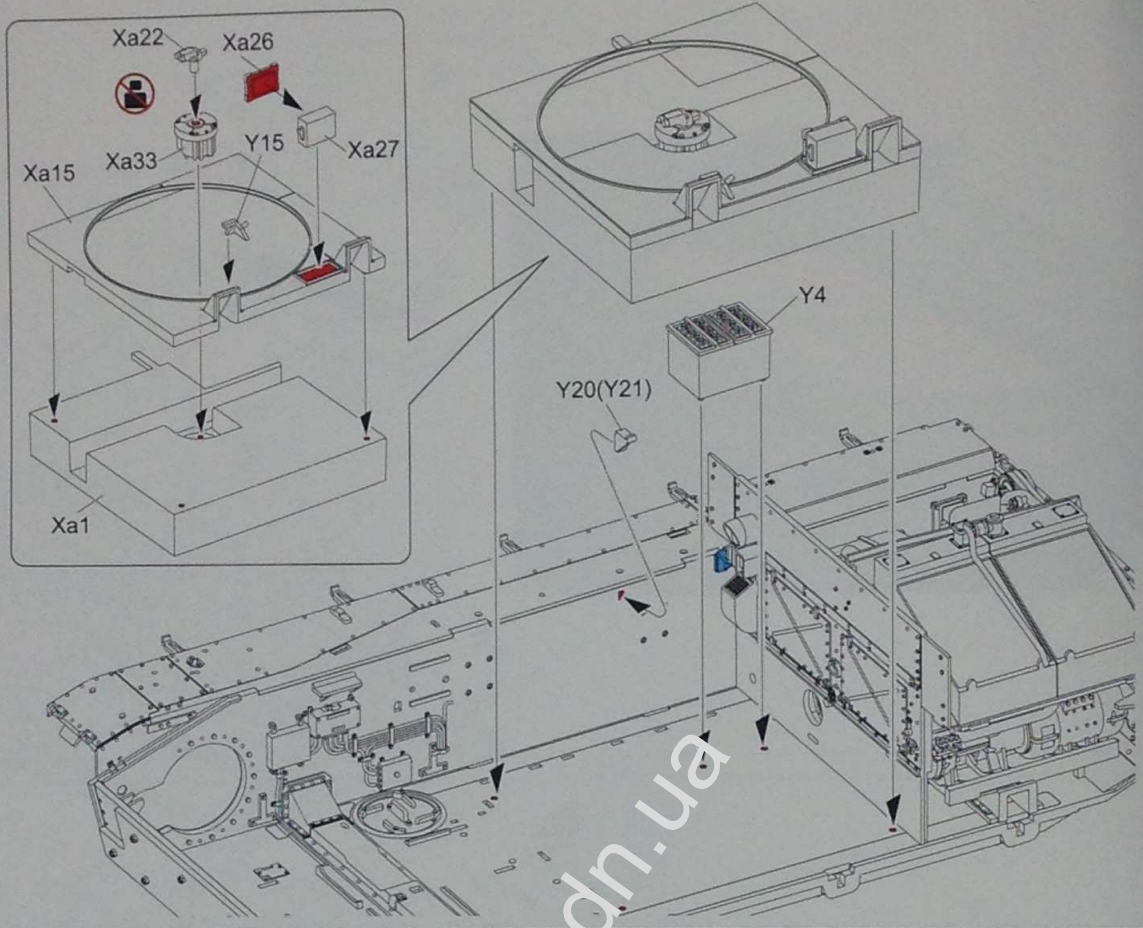
12



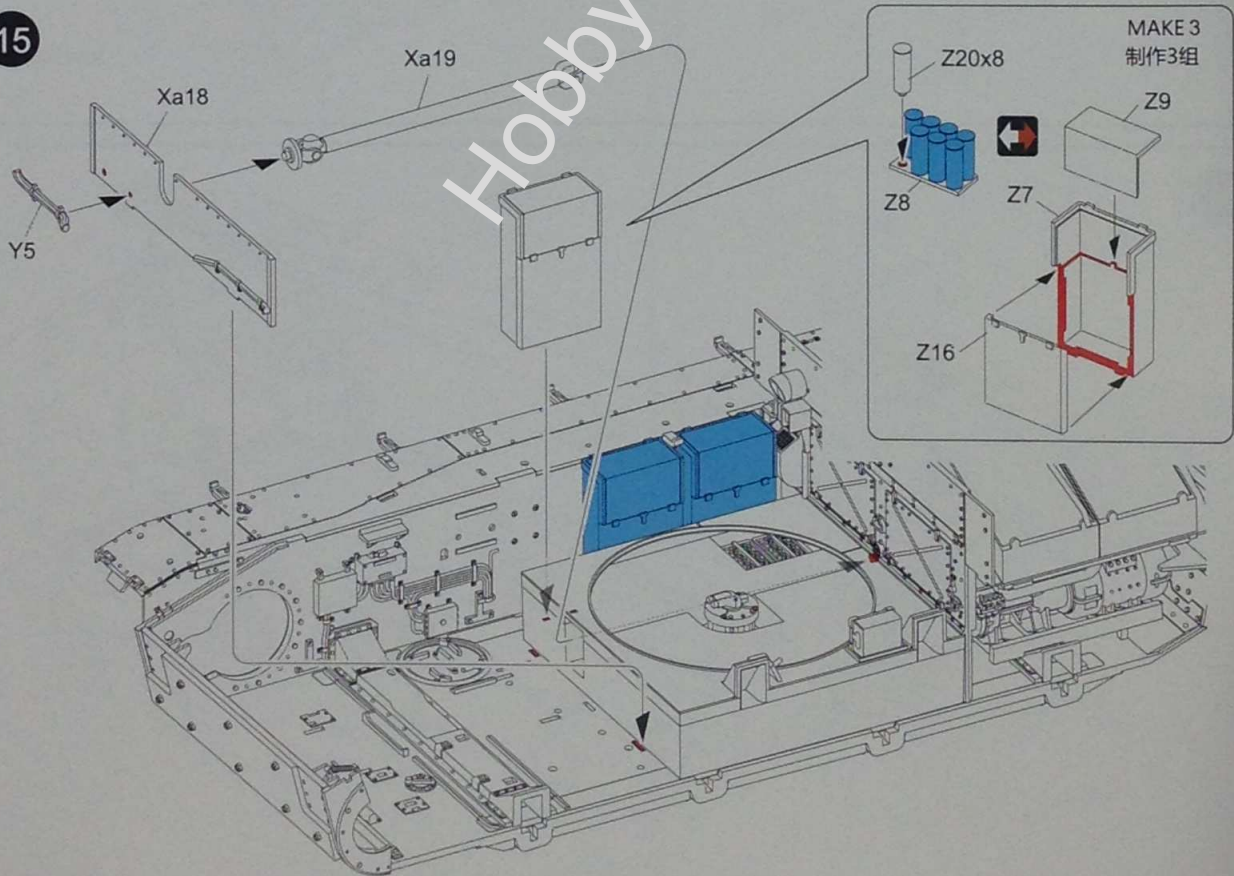
13



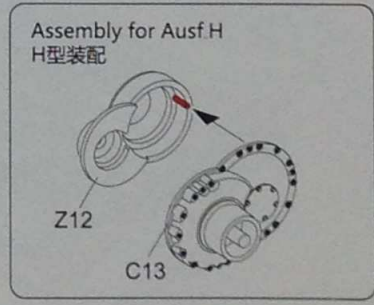
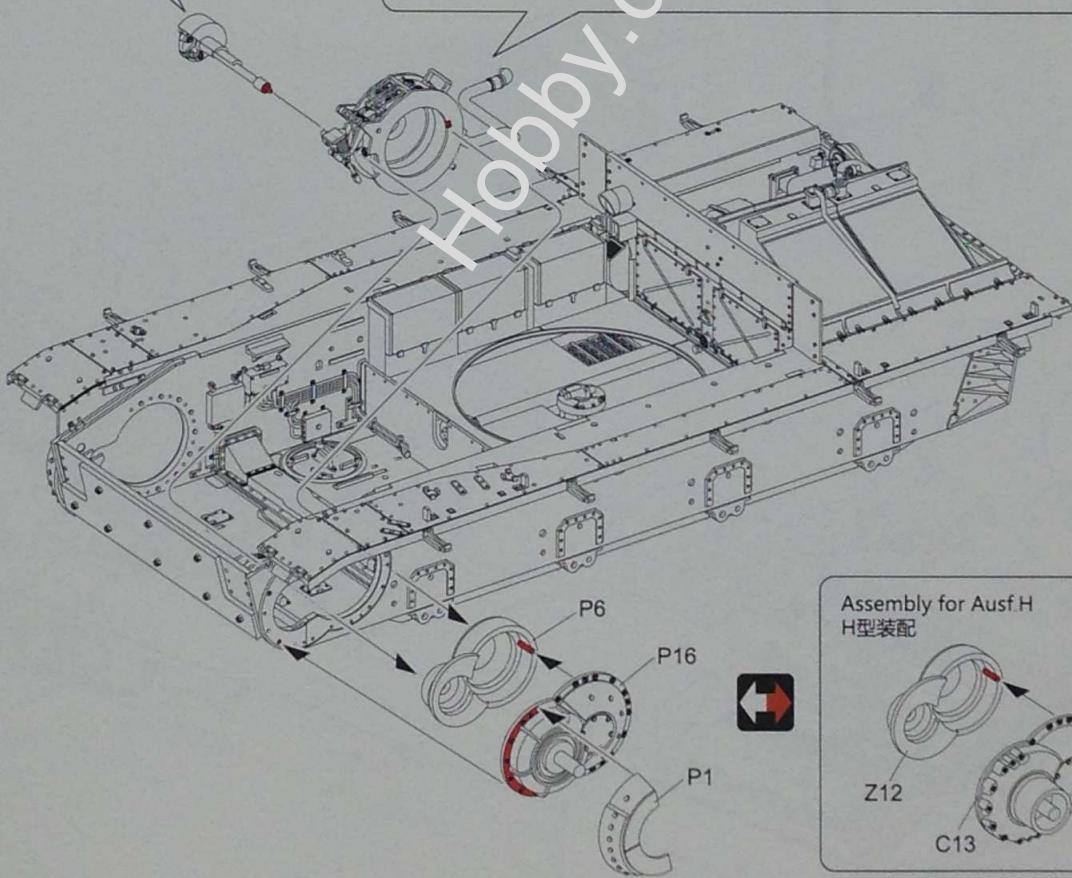
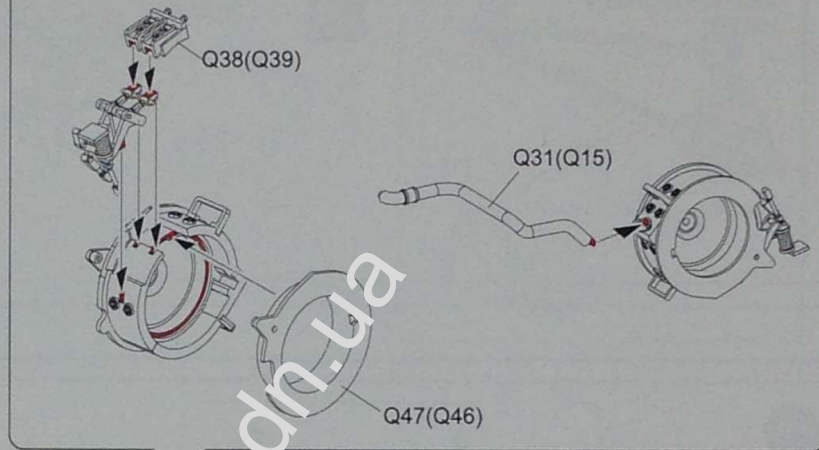
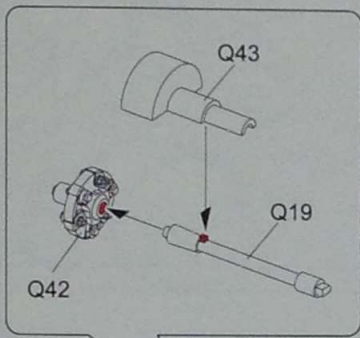
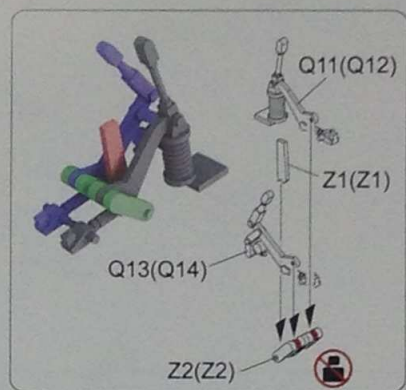
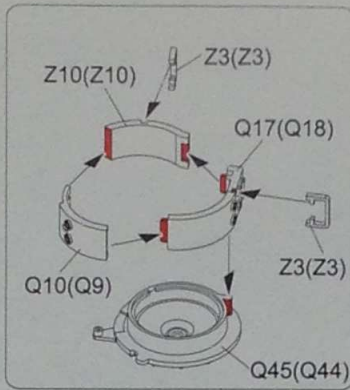
14



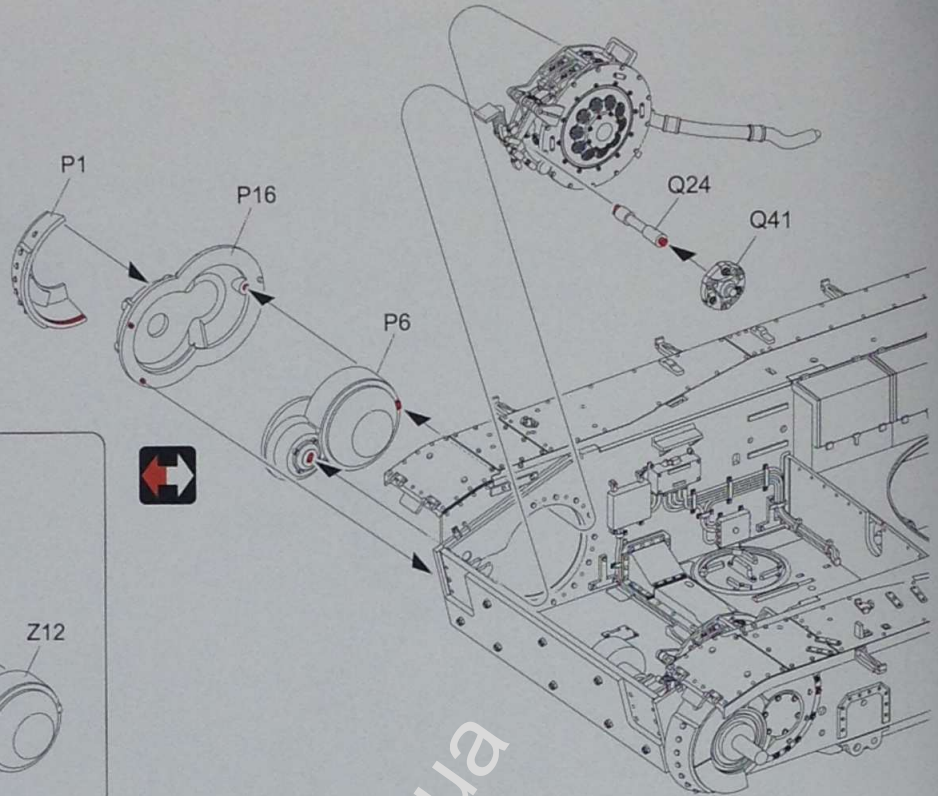
15



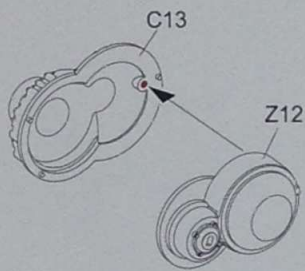
MAKE 2
制作2组



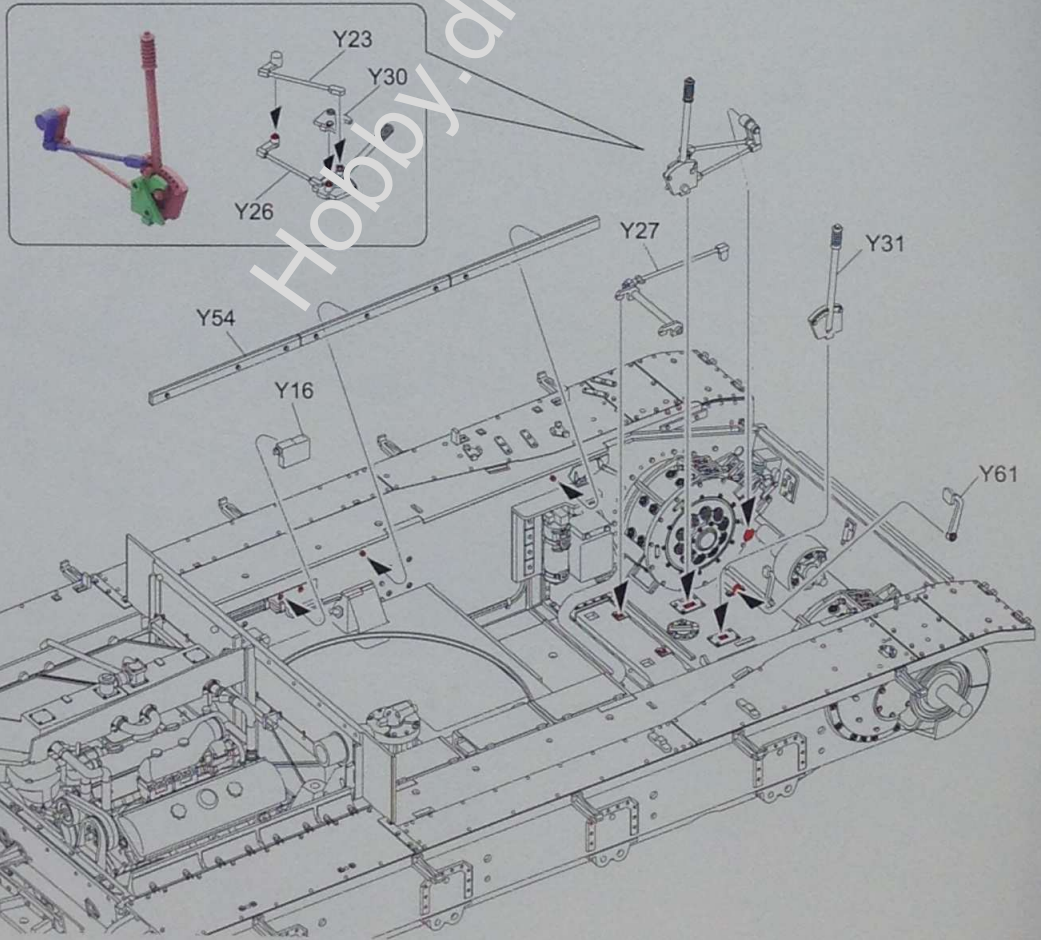
17



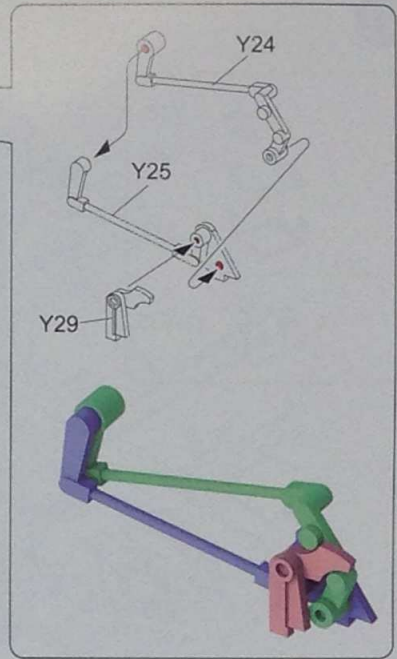
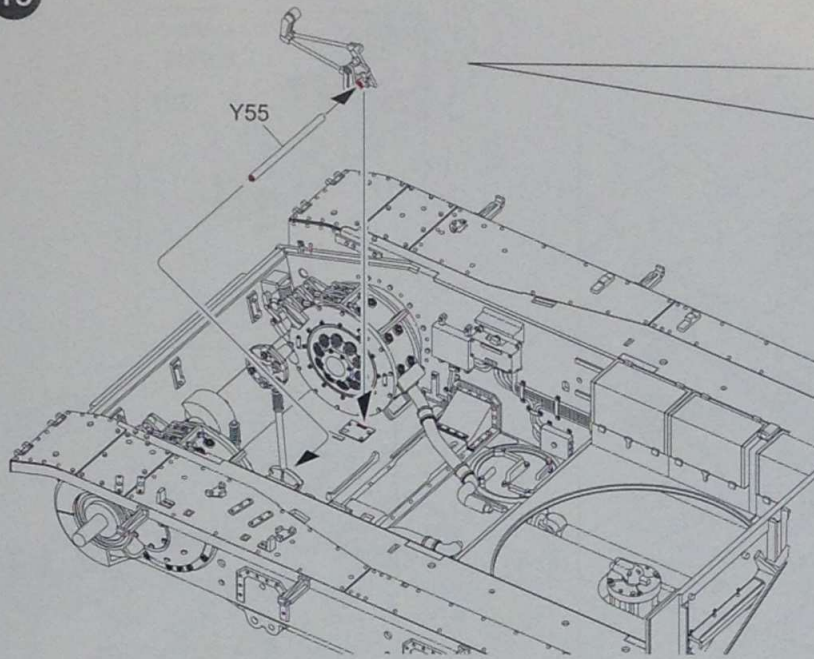
Assembly for Ausf.H
H型装配



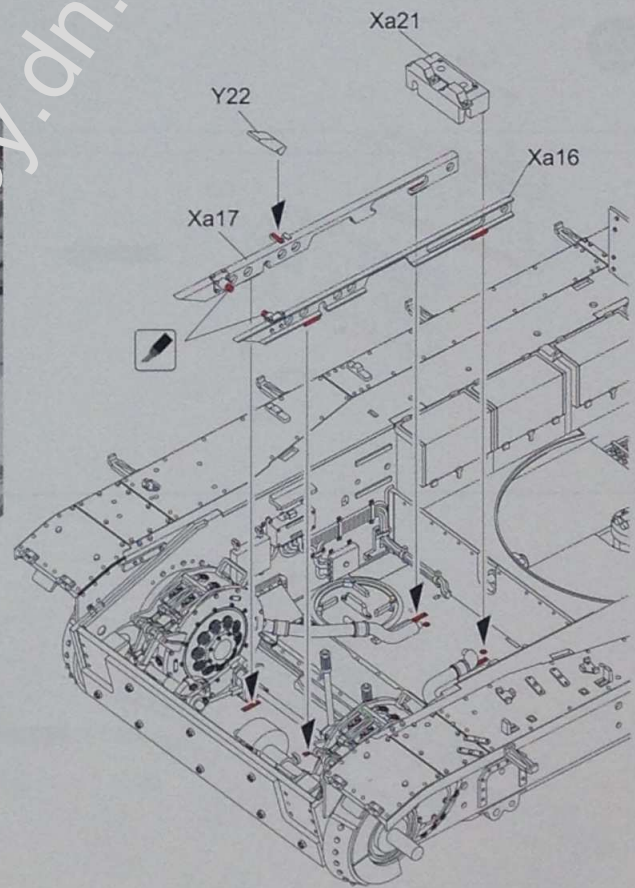
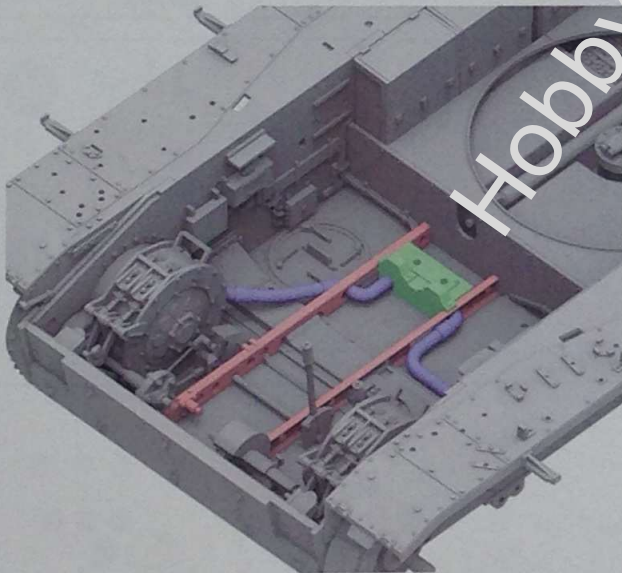
18



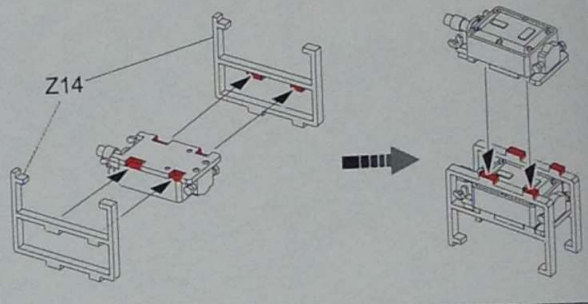
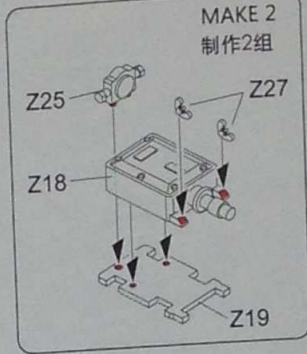
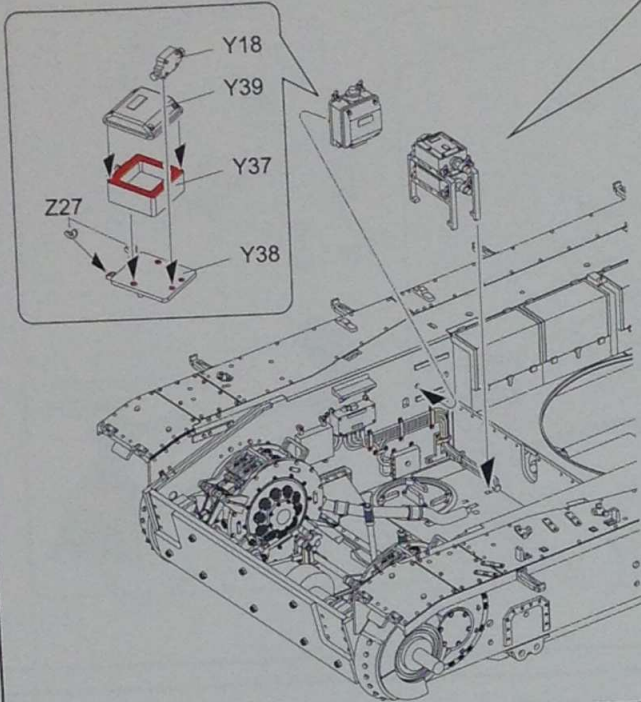
19



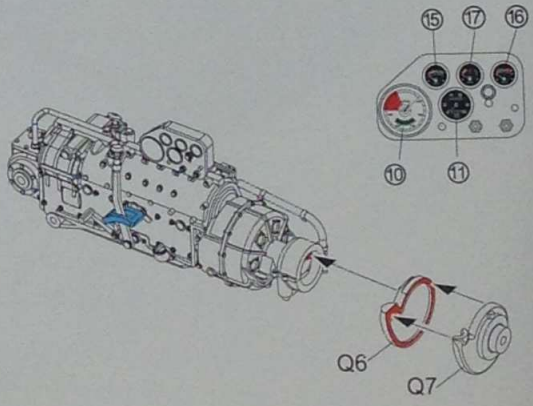
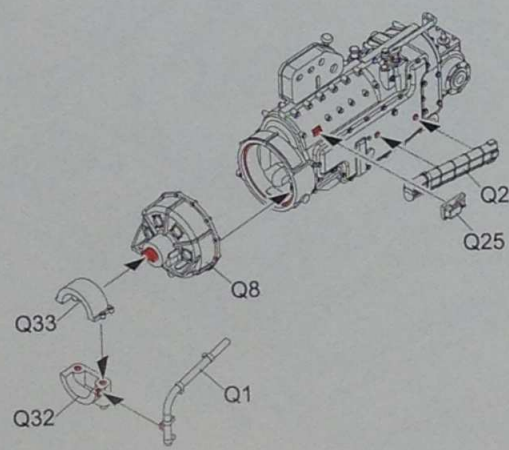
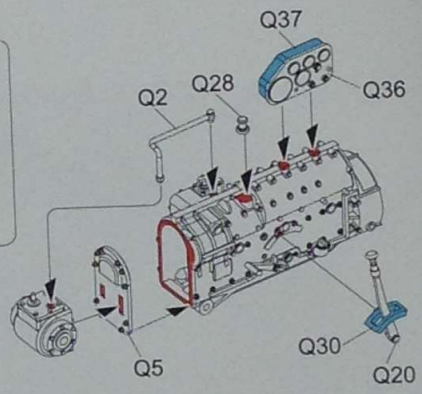
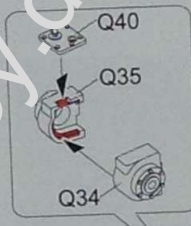
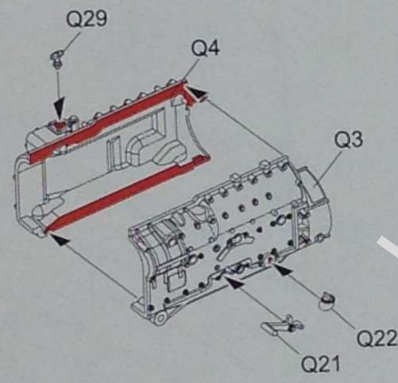
20



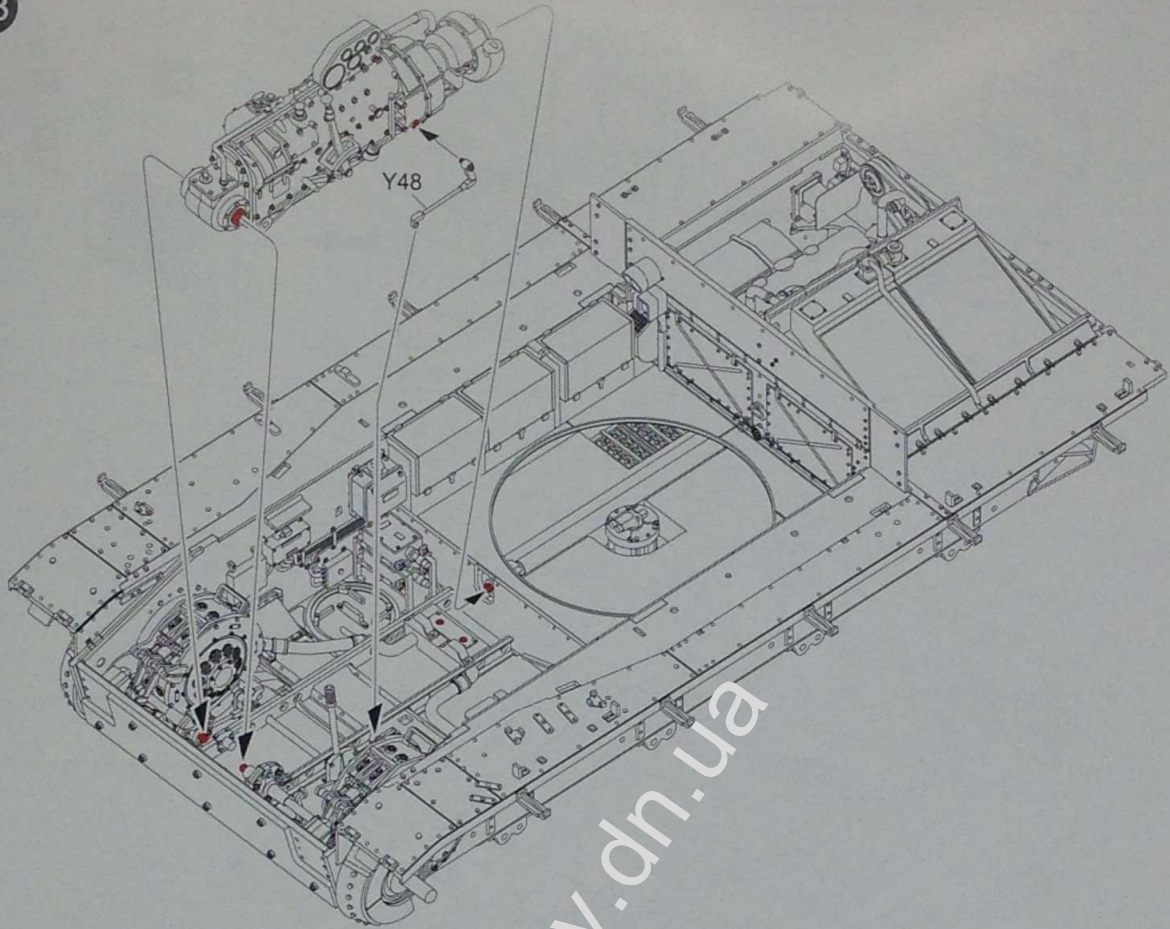
21



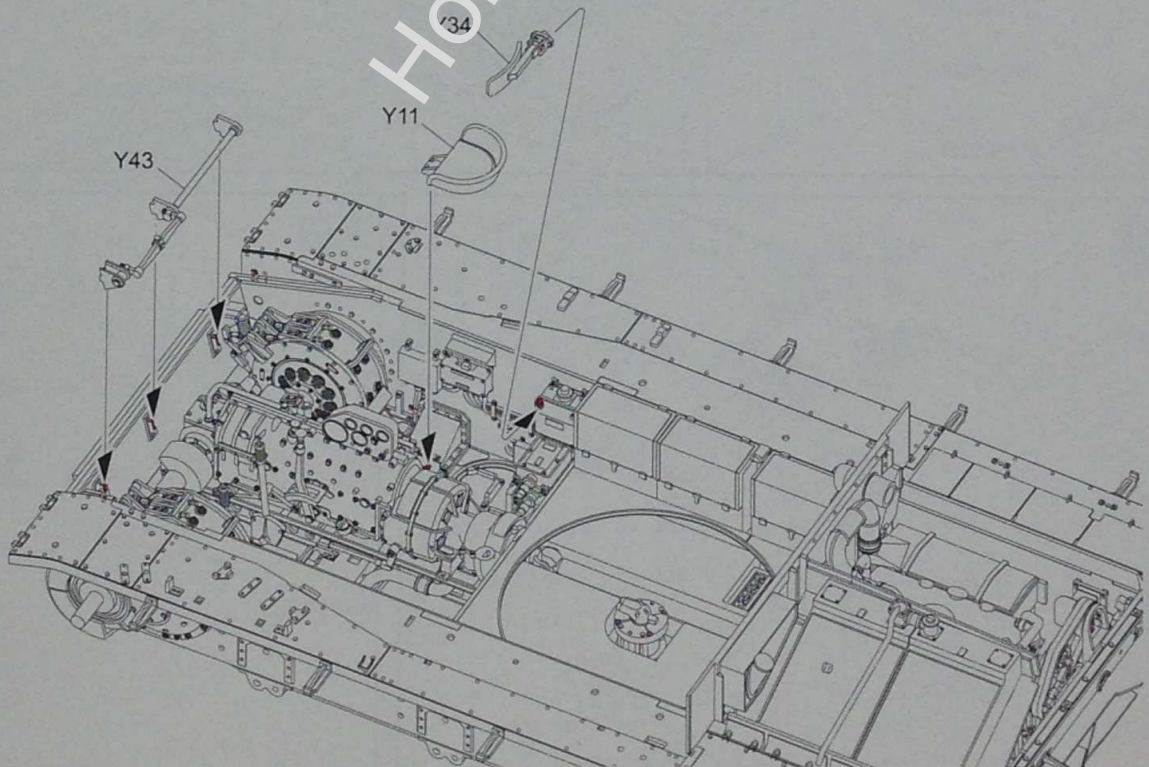
22



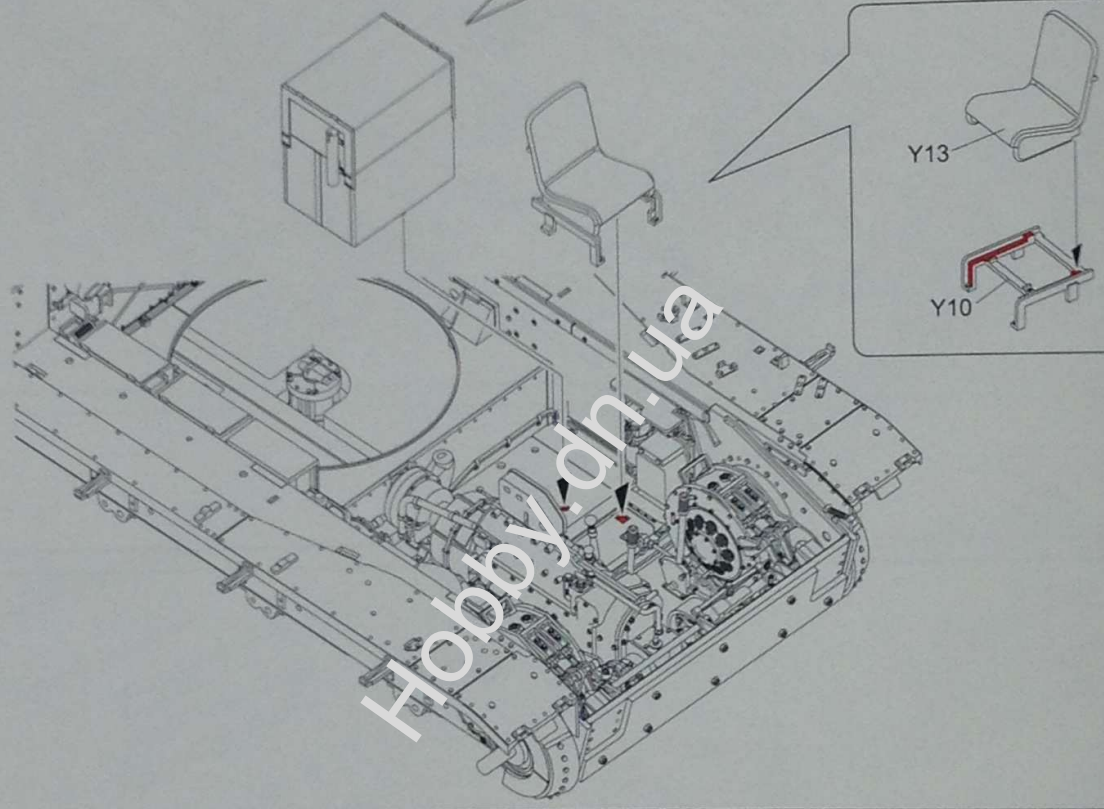
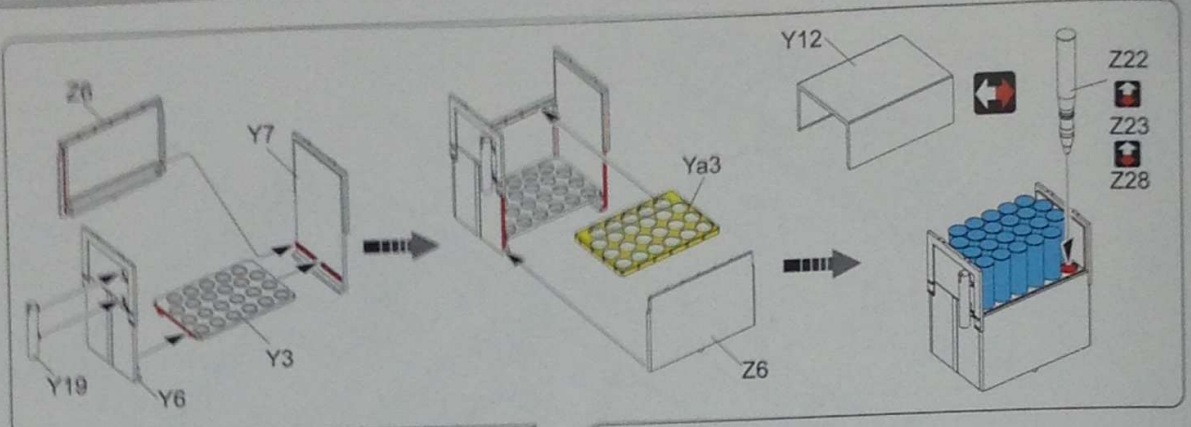
23



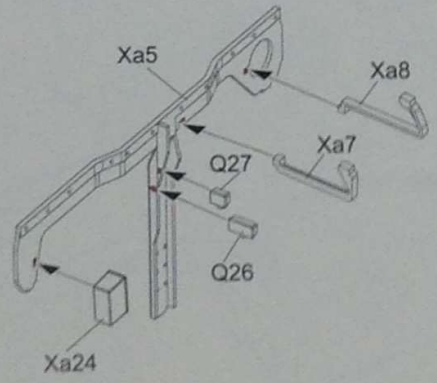
24



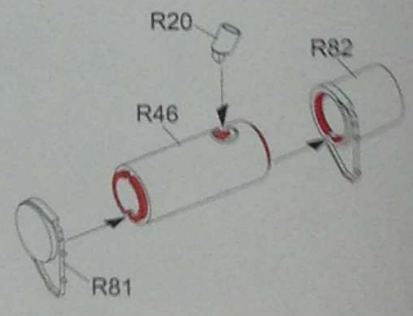
25



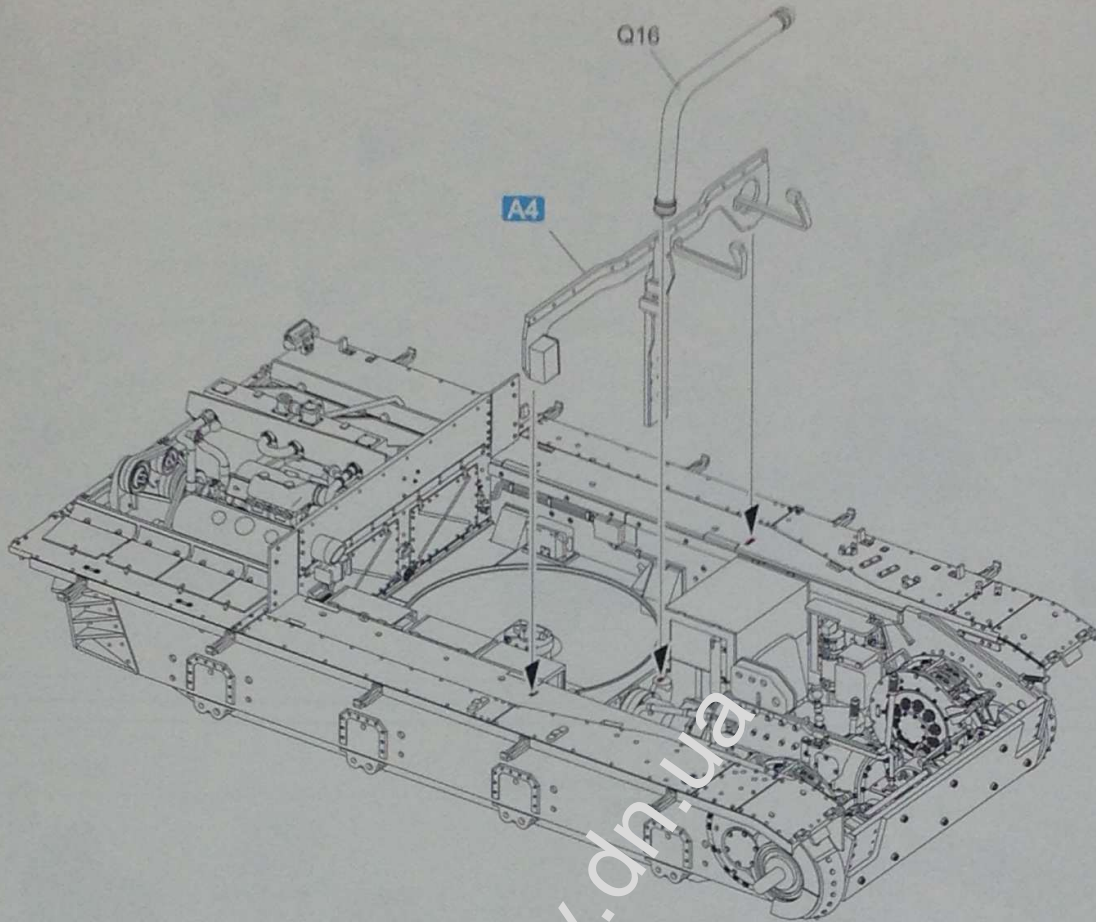
A4



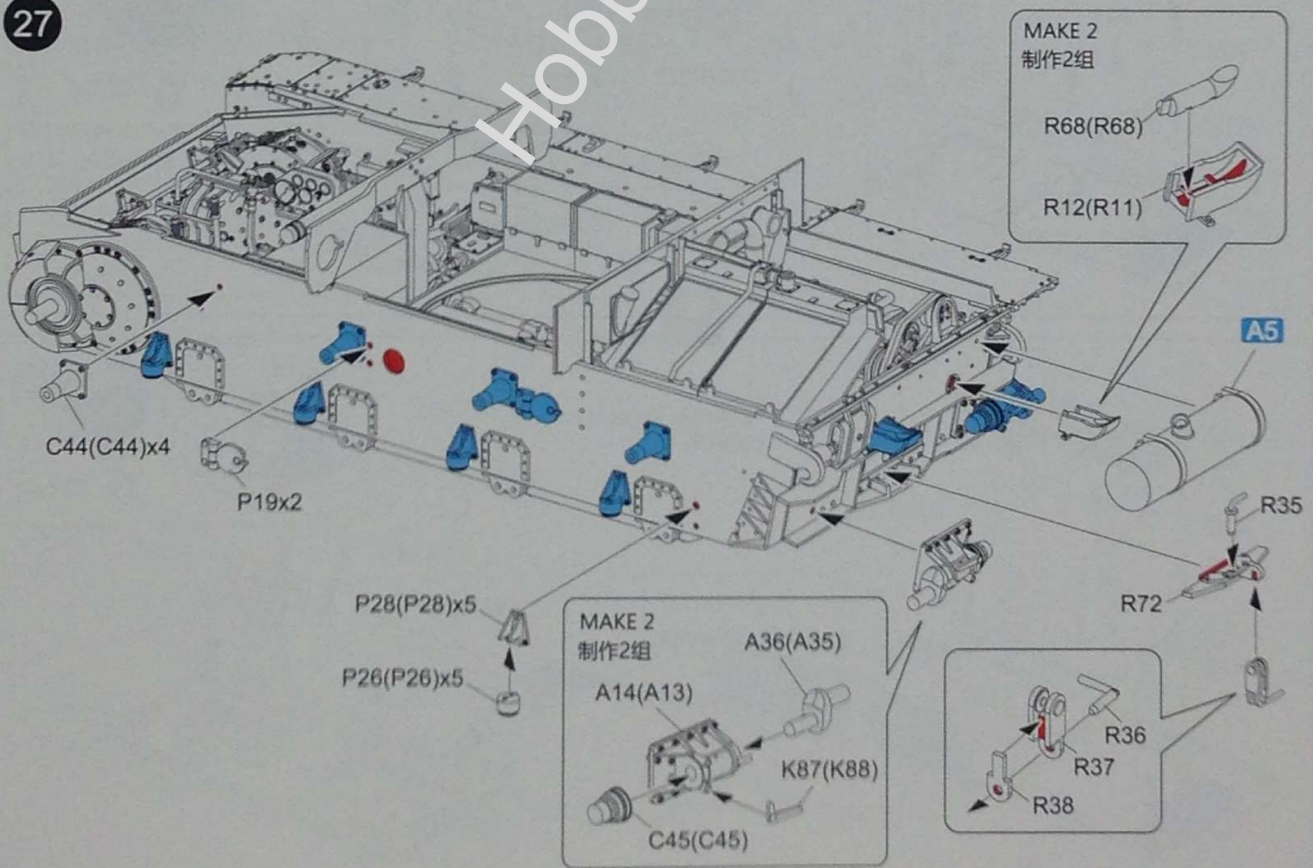
A5



26



27



Only for Ausf.G
仅适合G型

A42

K97

P23(P23)x4

P24(P24)x4

MAKE 2
制作2组

C17

C18

C35



P11

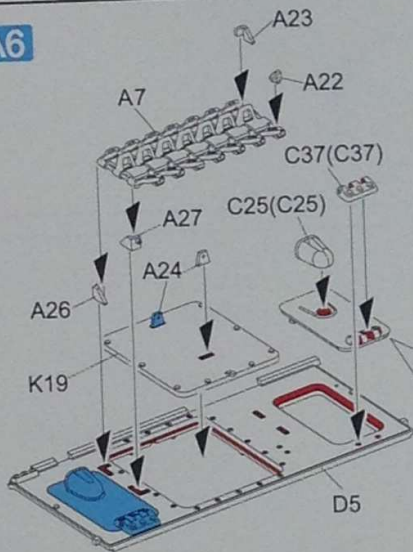
C15

MAKE 2
制作2组

5pcs per set
每组5节

A6

Assembly for Ausf.G
G型装配



MAKE 2
制作2组

Y53(Y53)

P27(P27)

Y49

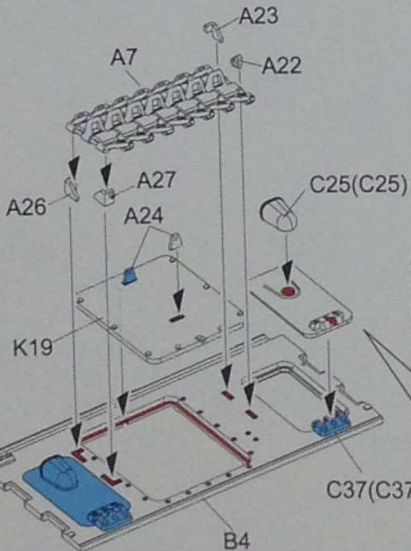
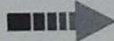
Xa11

A47

Z21x3

Y9

Z21x4



Assembly for Ausf.H
H型装配

Y53(Y53)

P27(P27)

Y49

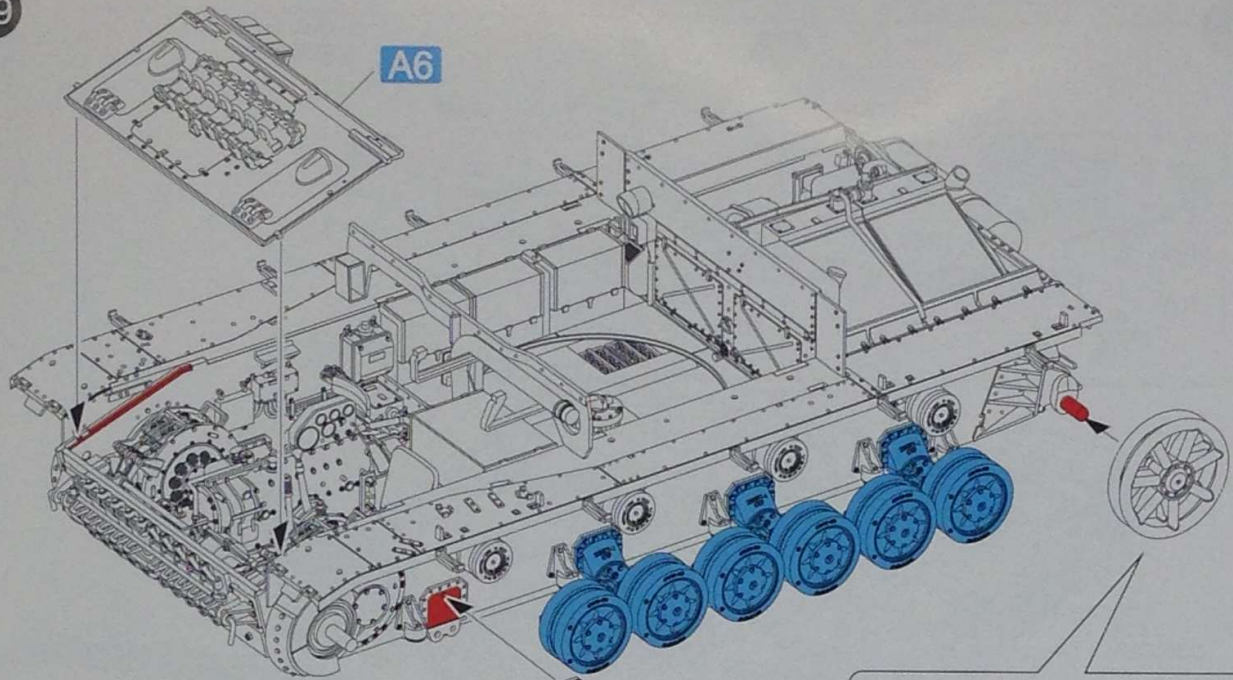
Xa11

Z21x3

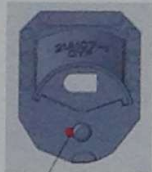
Y9

Z21x4

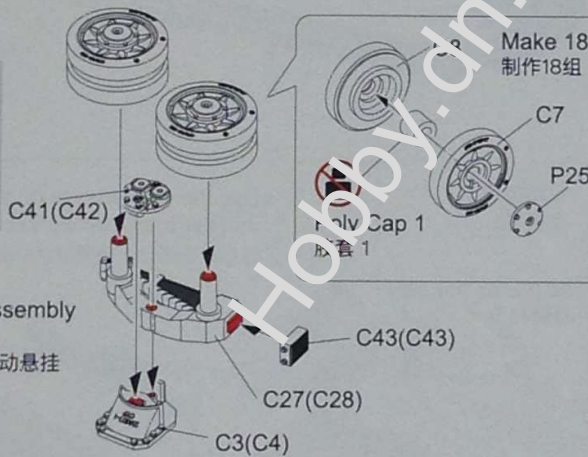




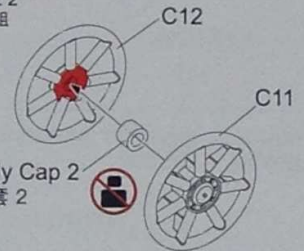
MAKE4
制作4组



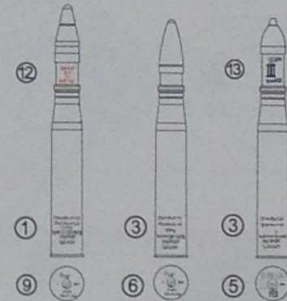
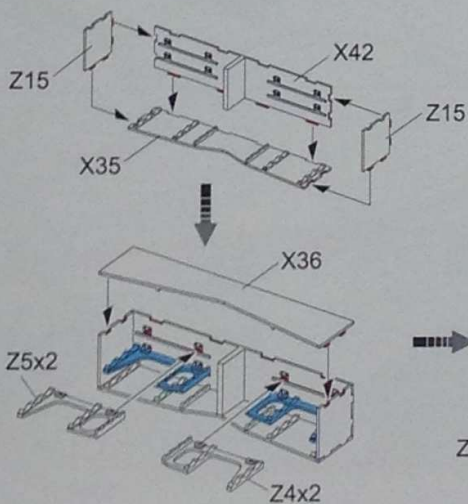
Cut off in order to assembly
workable status
切除红色部分可制作活动悬挂



MAKE 2
制作2组

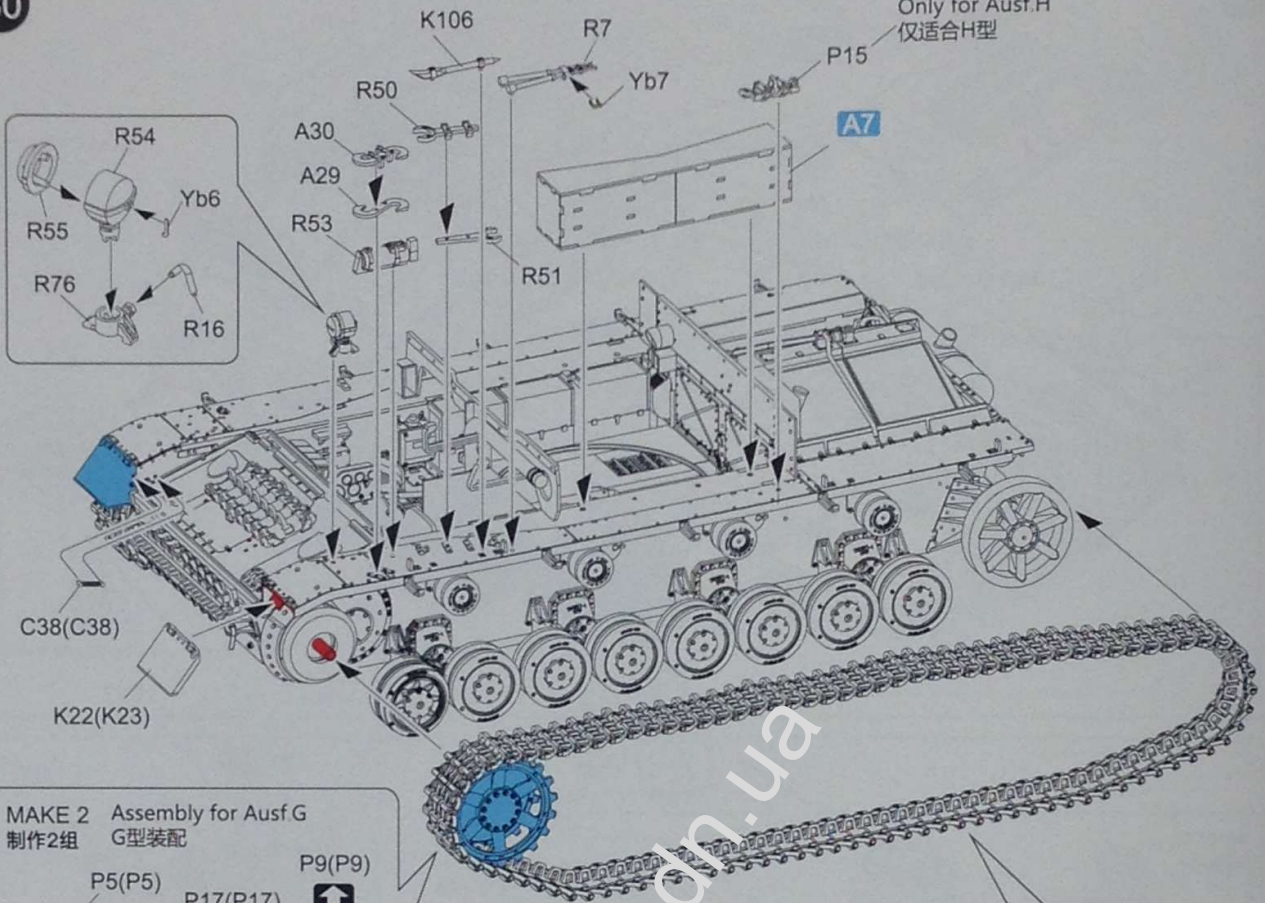


A7

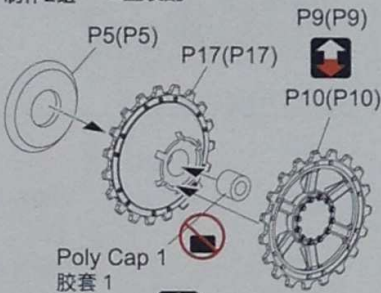


Z22 Z23 Z28

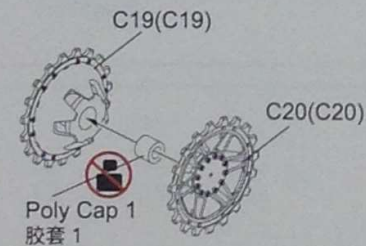
Only for Ausf.H
仅适合H型



MAKE 2 Assembly for Ausf.G
制作2组 G型装配

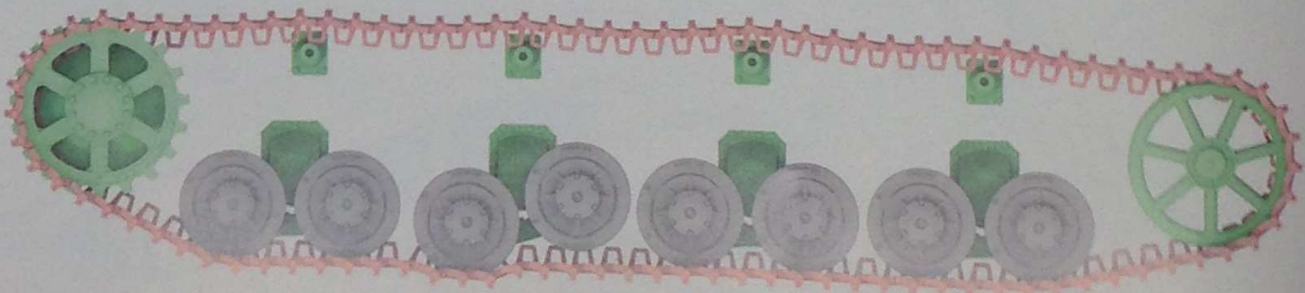
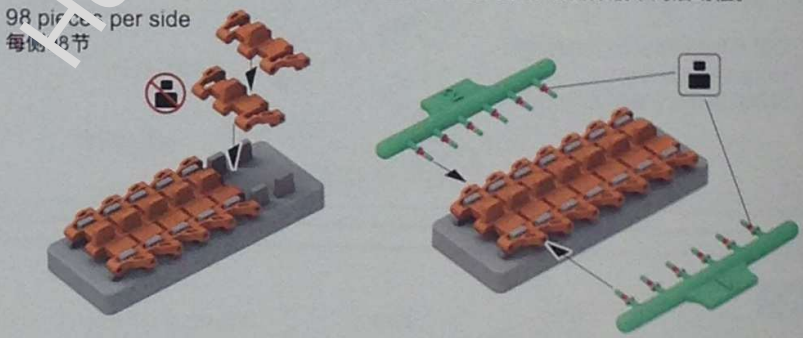


MAKE 2 Assembly for Ausf.H
制作2组 H型装配

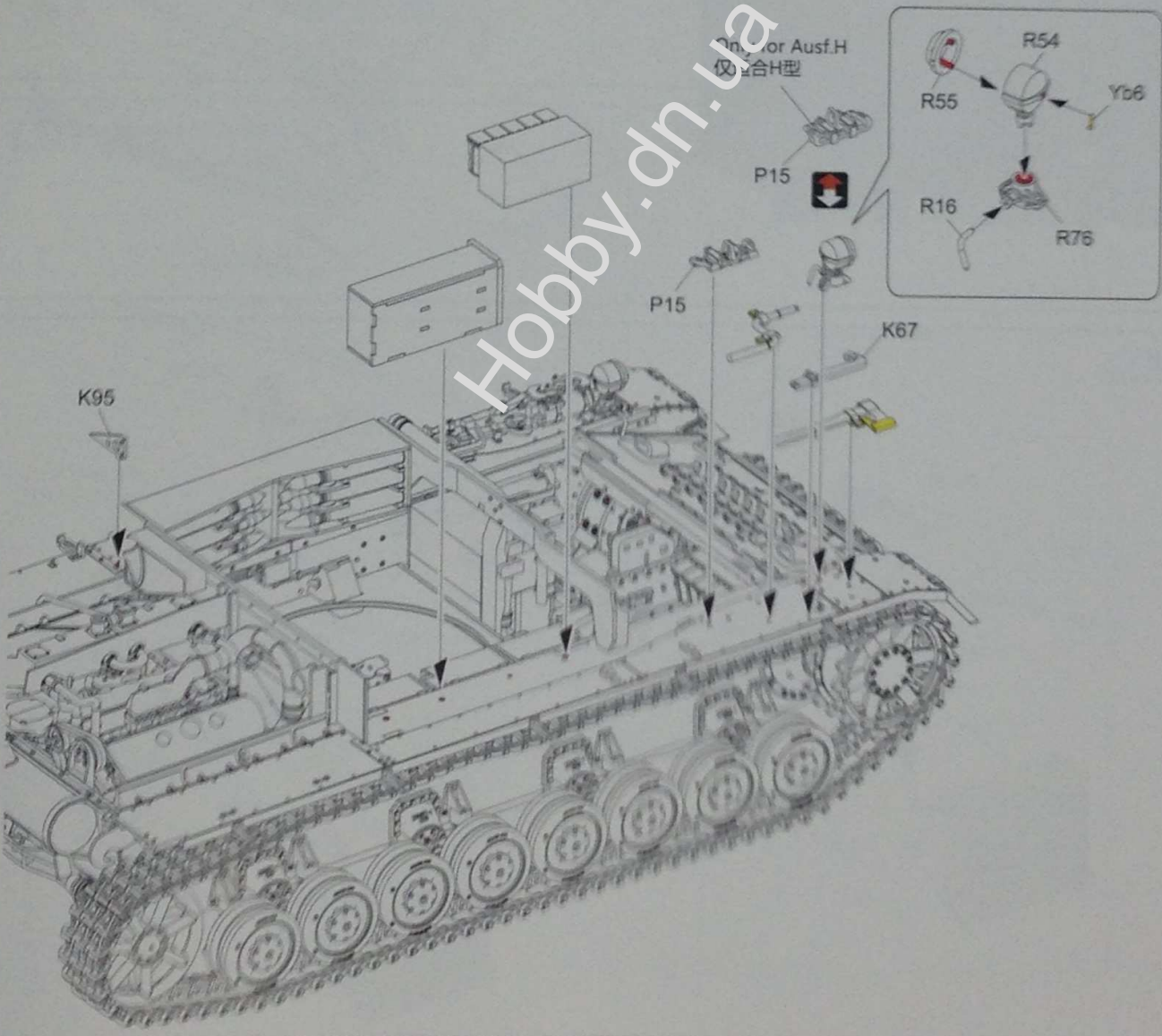
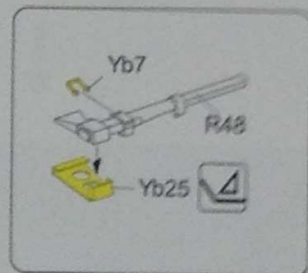
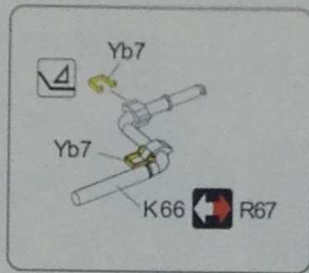
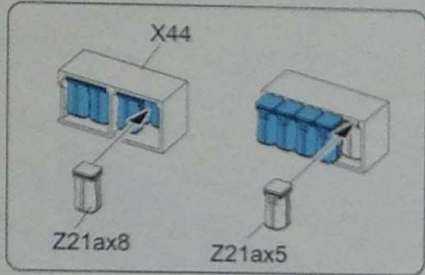
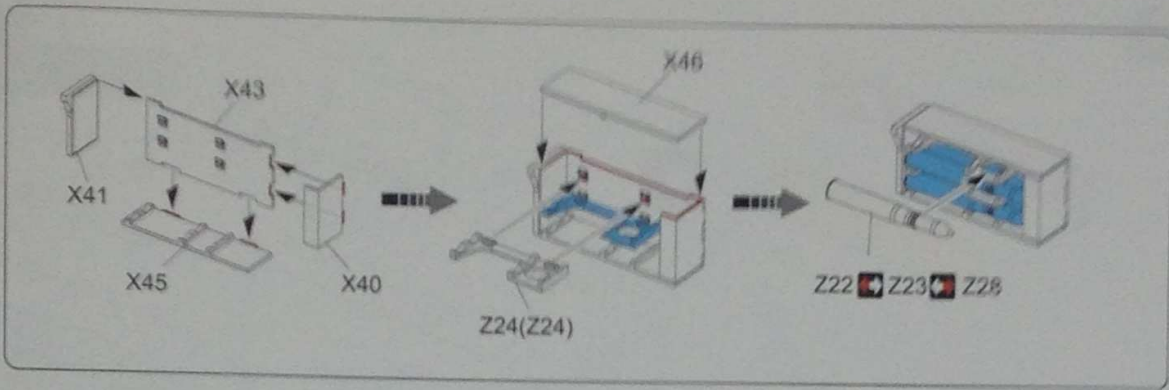


MAKE 2
制作2组

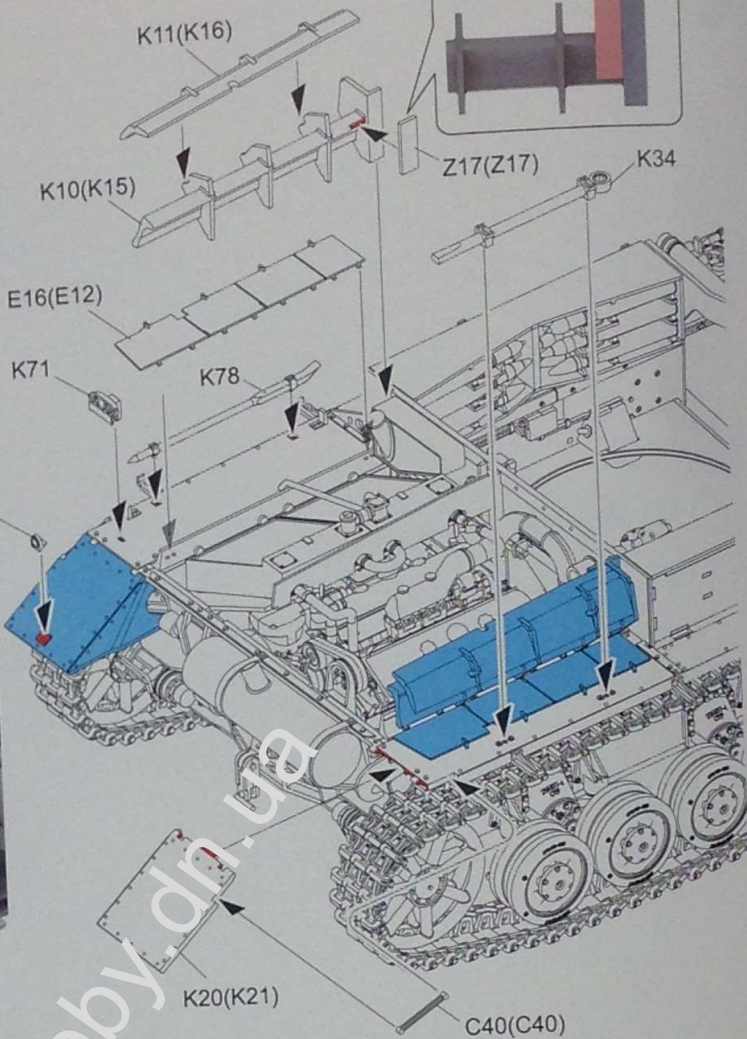
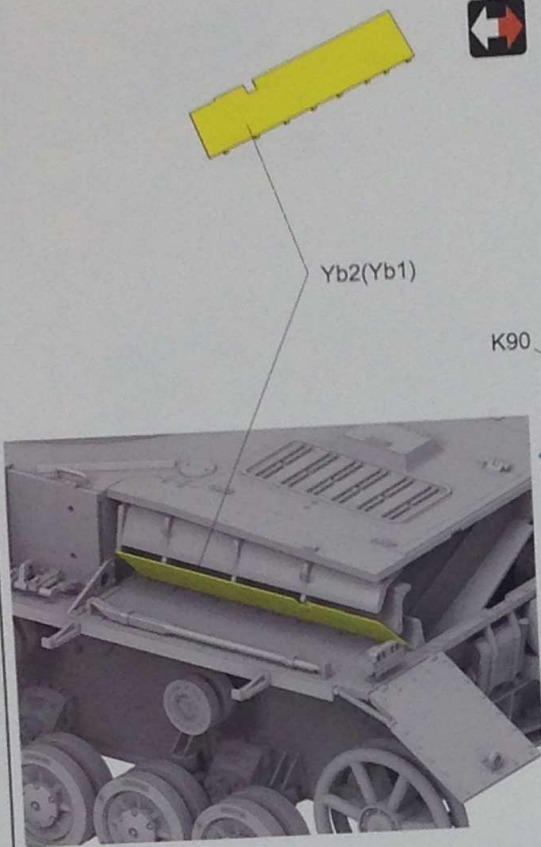
98 pieces per side
每侧48节



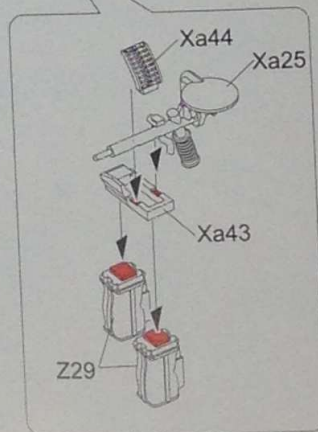
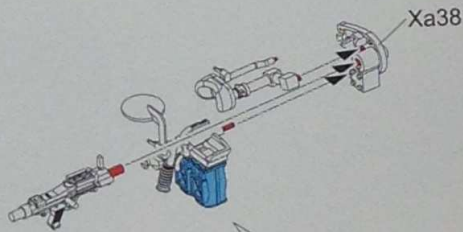
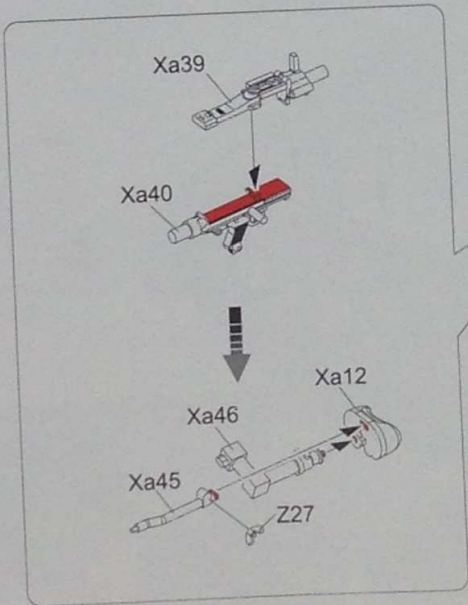
31



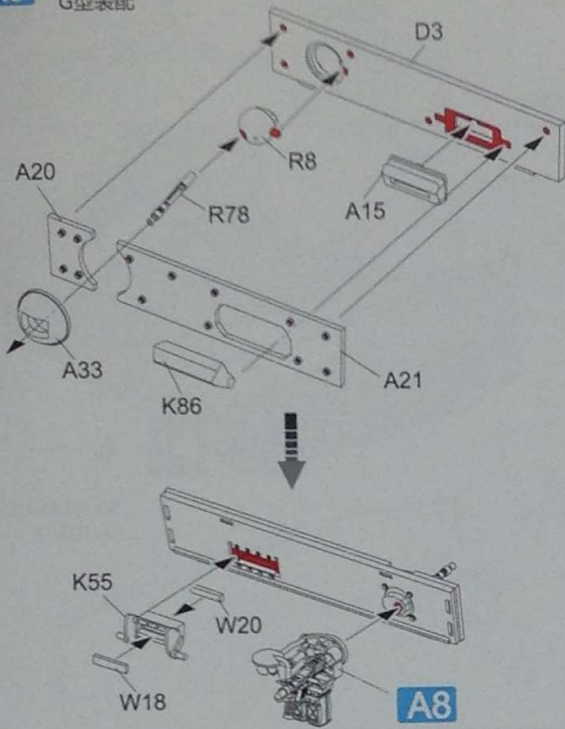
32



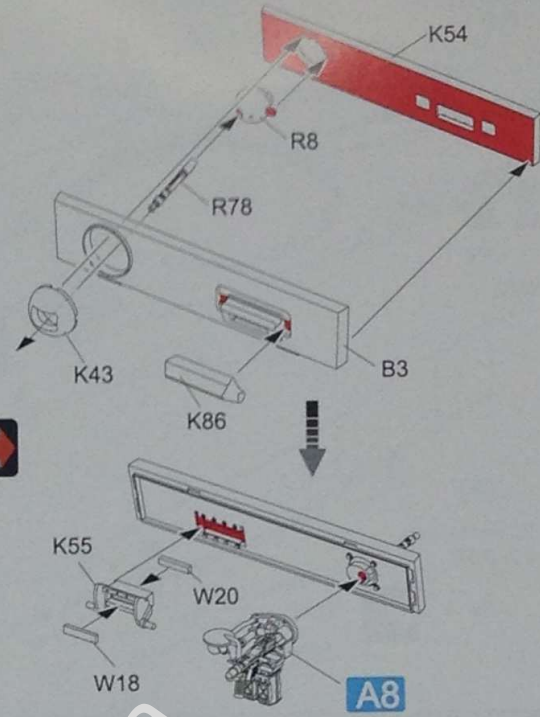
A8



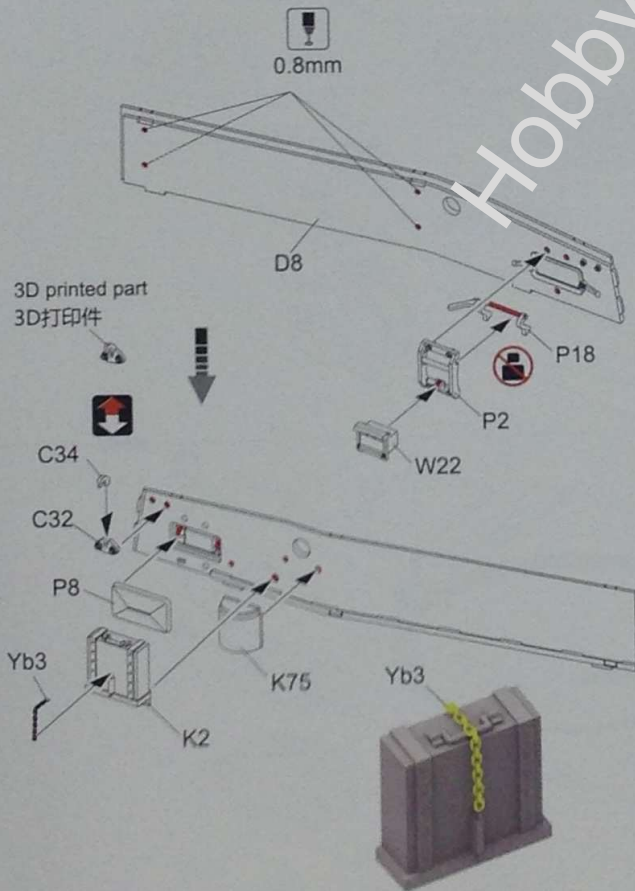
A9 Assembly for Ausf.G
G型装配



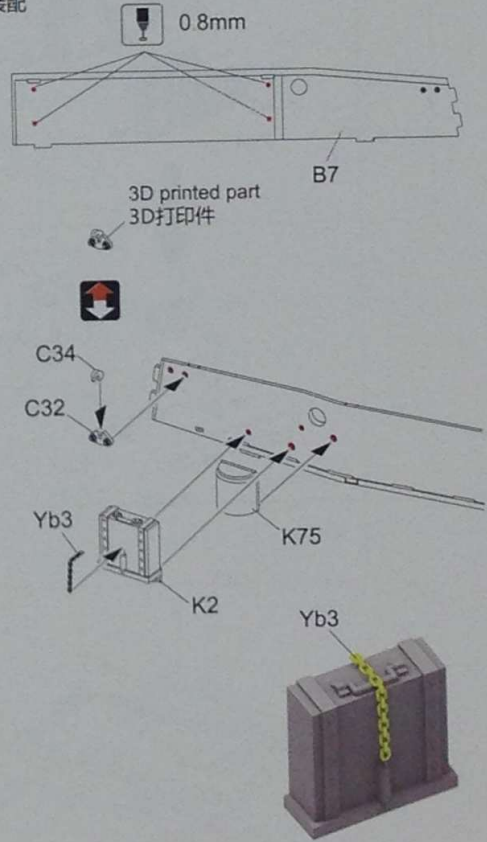
Assembly for Ausf.H
H型装配



A10 Assembly for Ausf.G
G型装配

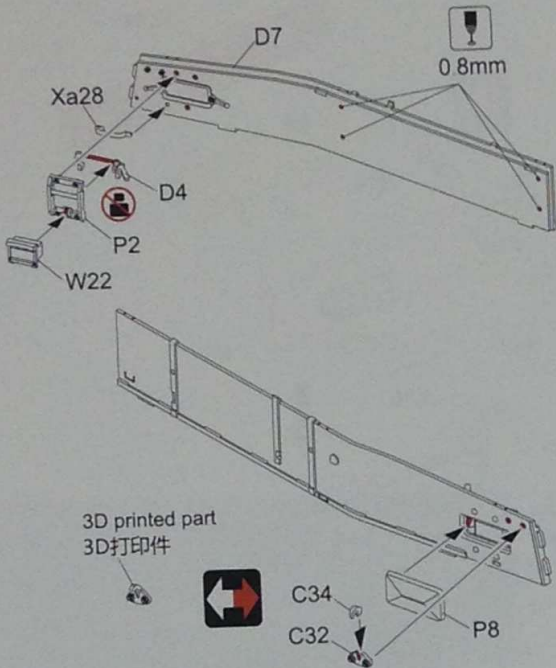


Assembly for Ausf.H
H型装配

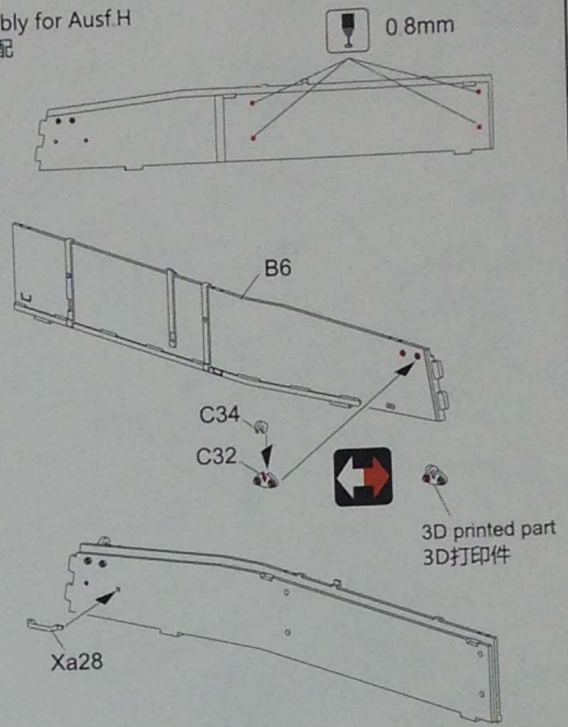


A11

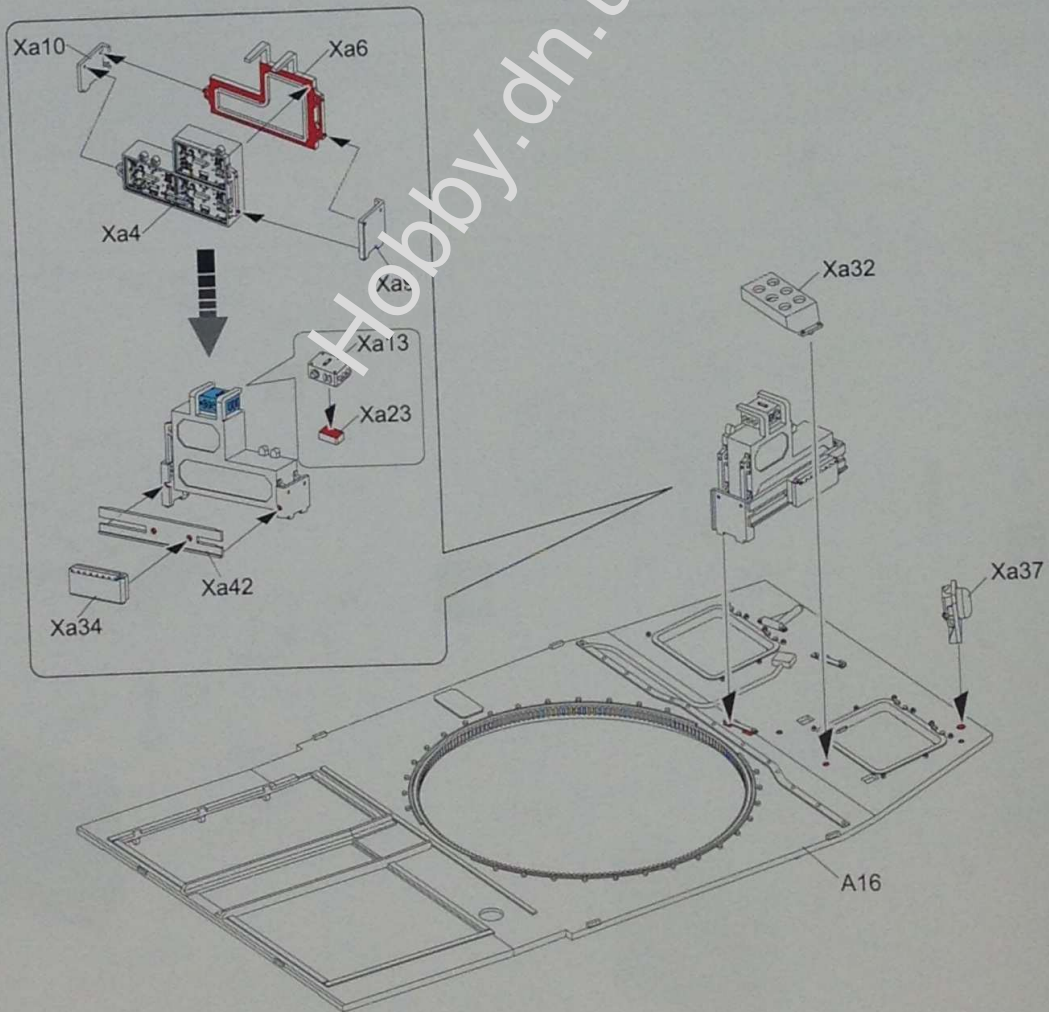
Assembly for Ausf.G
G型装配



Assembly for Ausf.H
H型装配



33

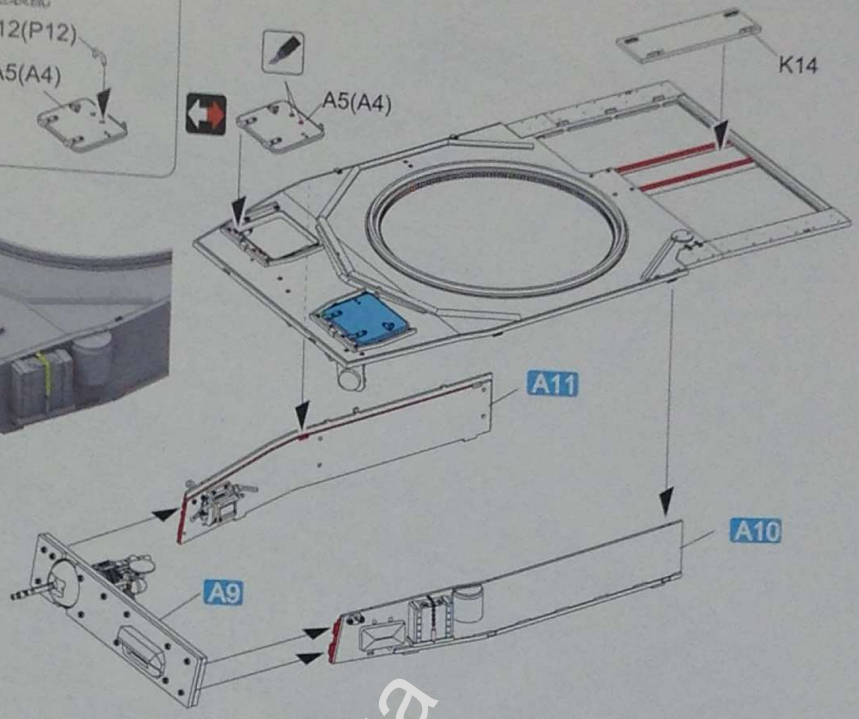
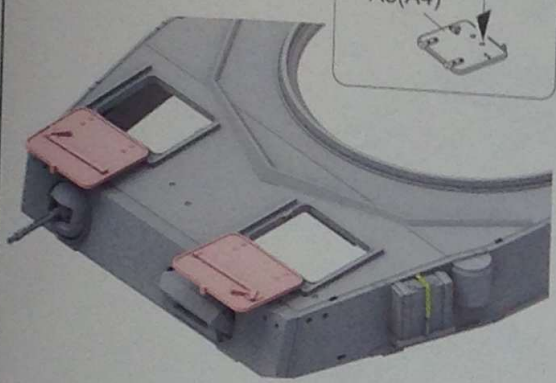


34

Assembly for Ausf.H
H型装配

P12(P12)

A5(A4)

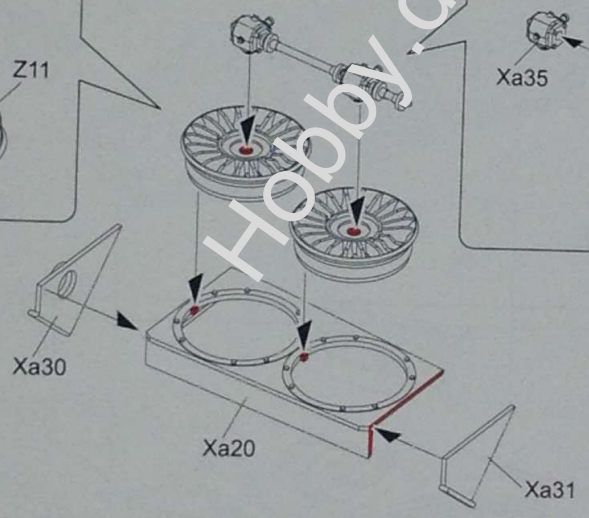
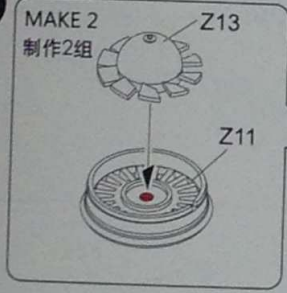


35

MAKE 2
制作2组

Z13

Z11

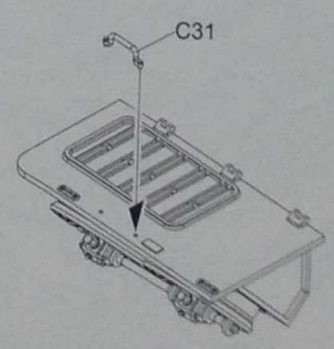
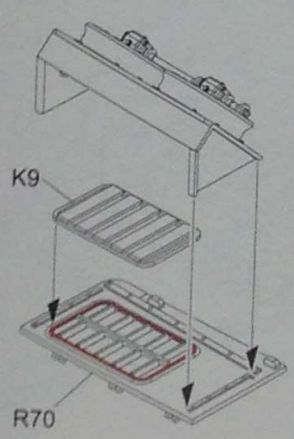
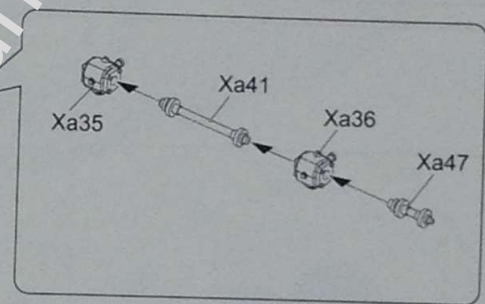


Xa35

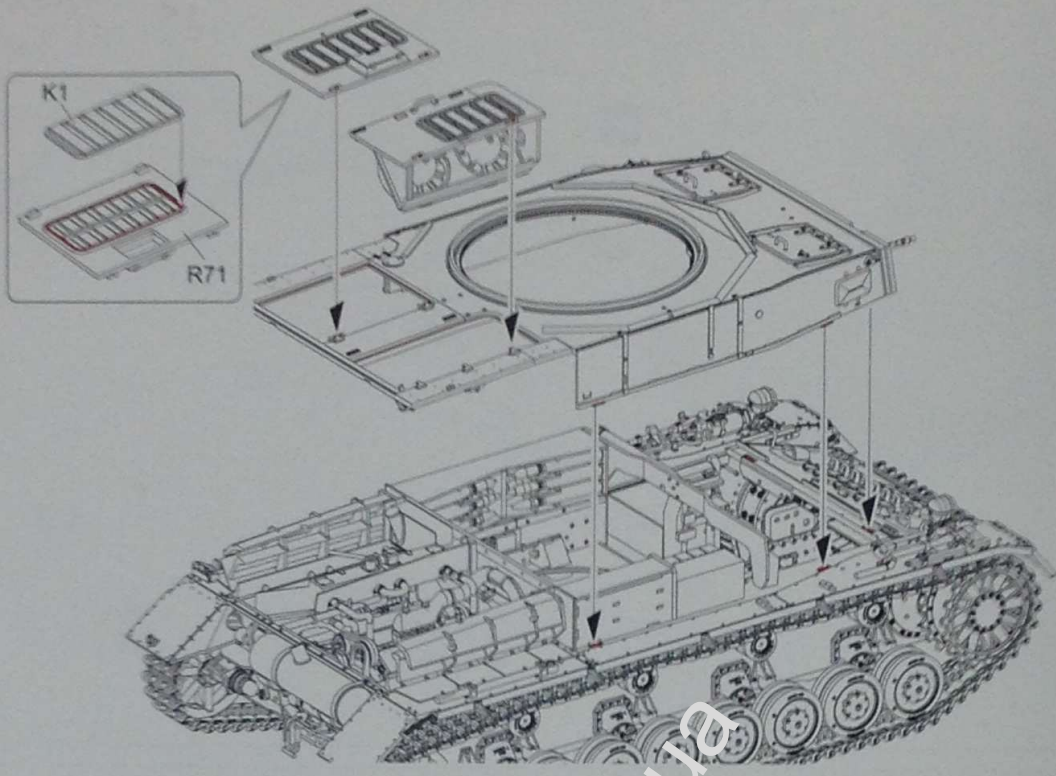
Xa41

Xa36

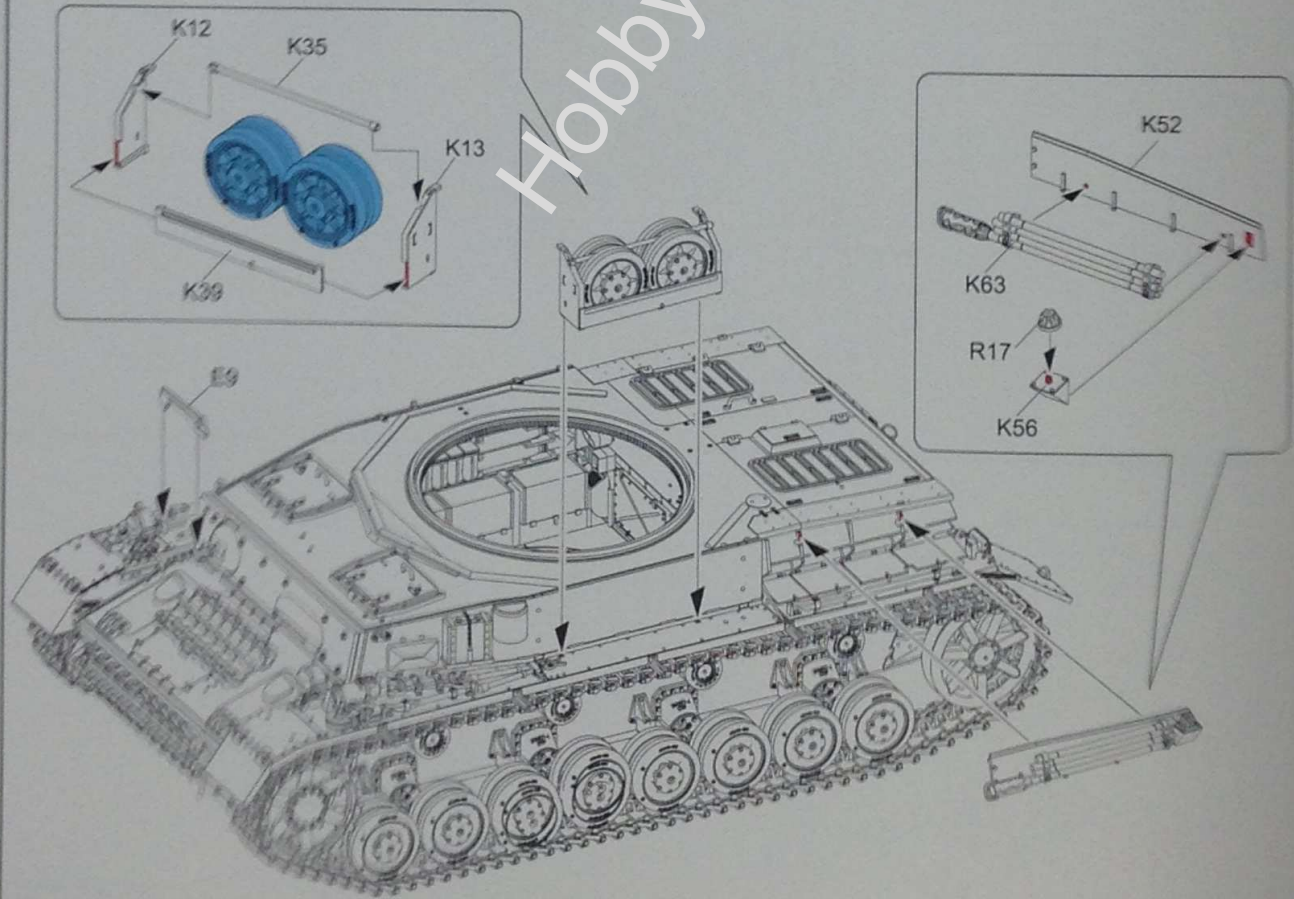
Xa47



36

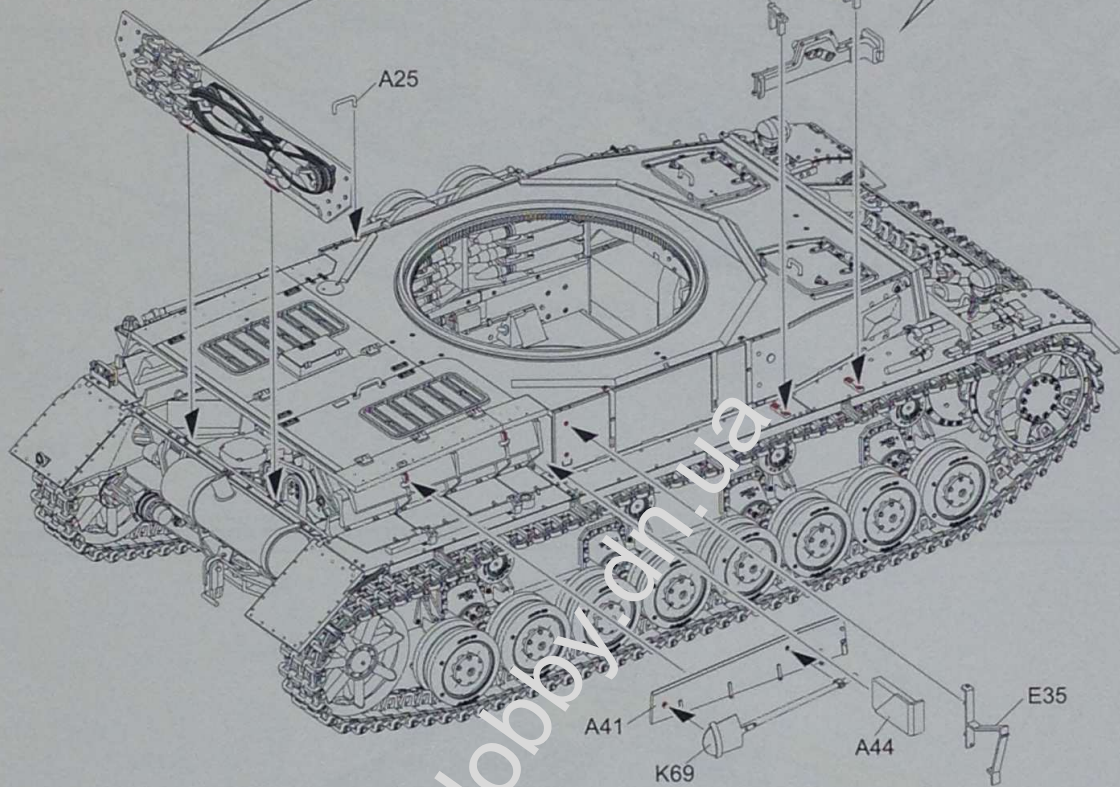
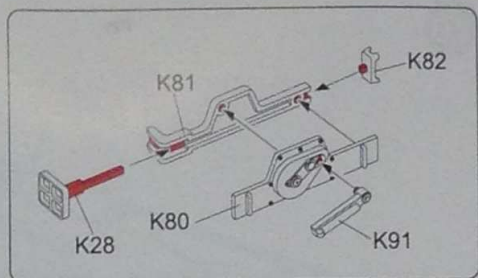
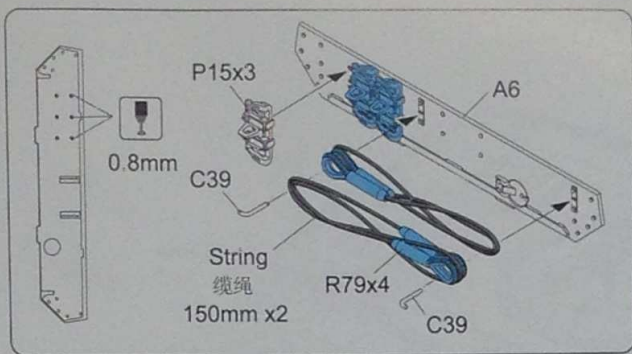


37

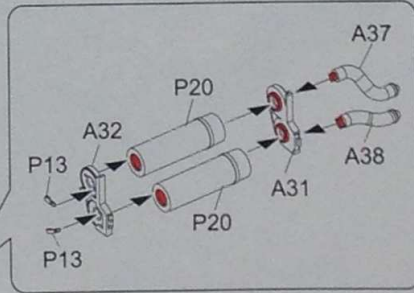
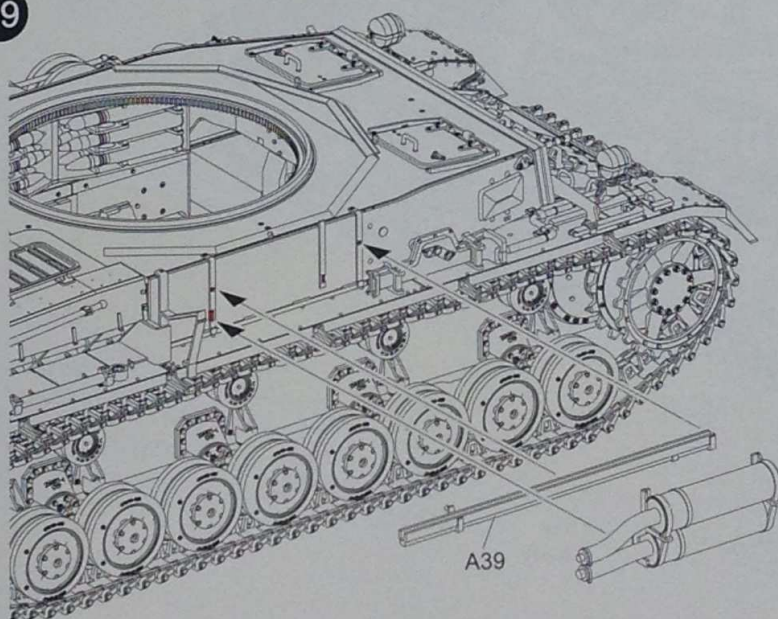


Hobby-dn.ua

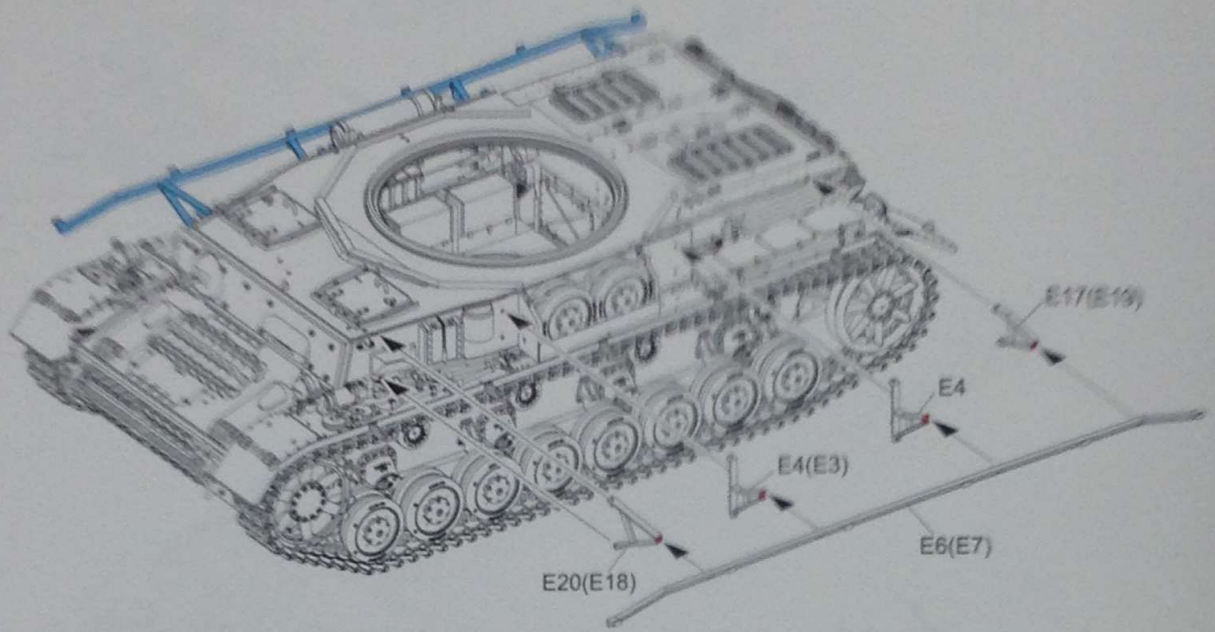
38



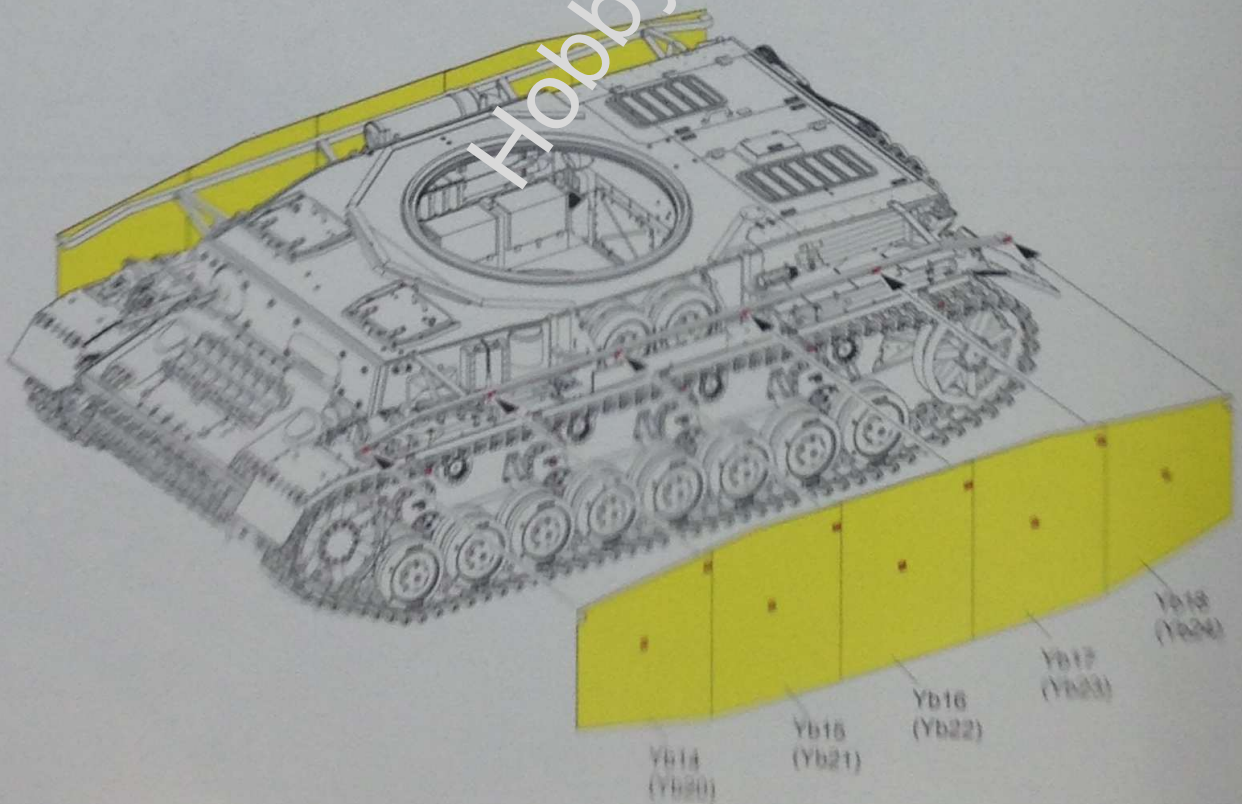
39



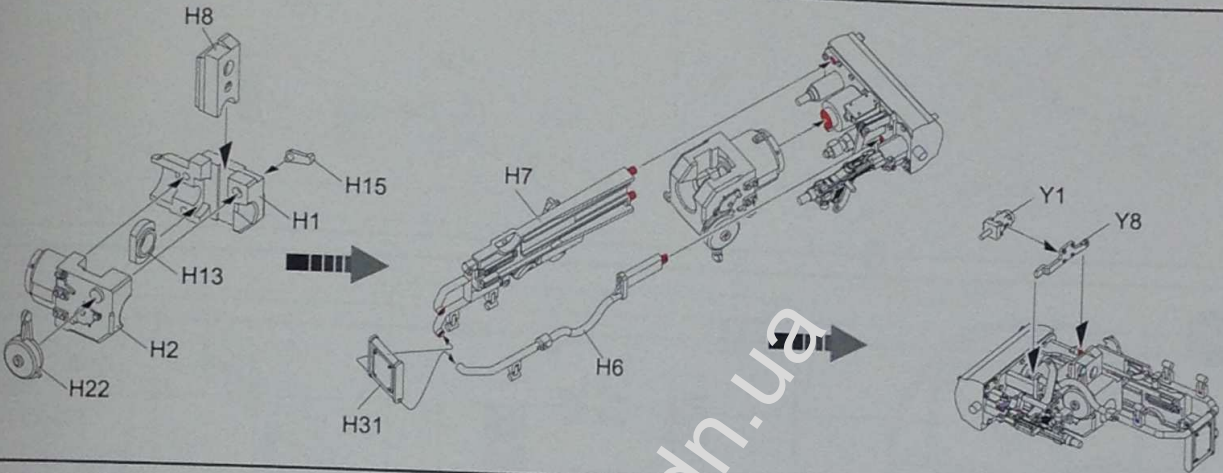
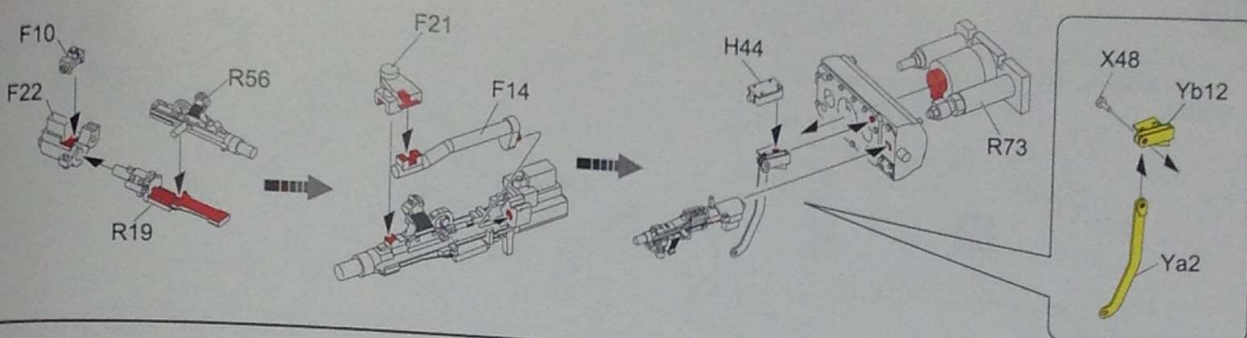
40



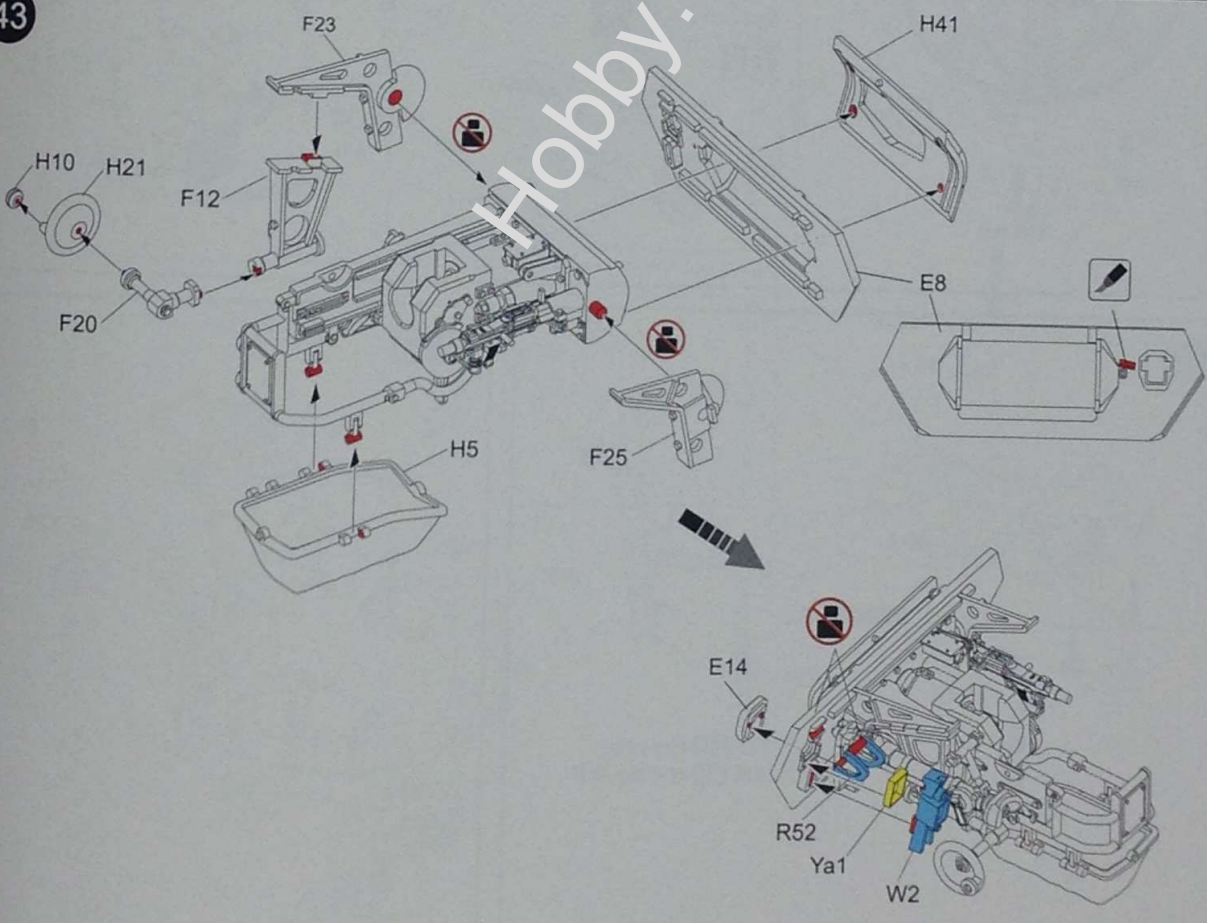
41



42

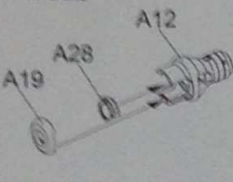


43

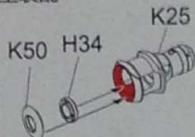


44

Assembly for Ausf.G
G型装配



Assembly for Ausf.H
H型装配



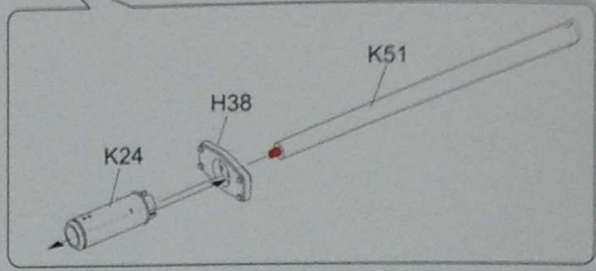
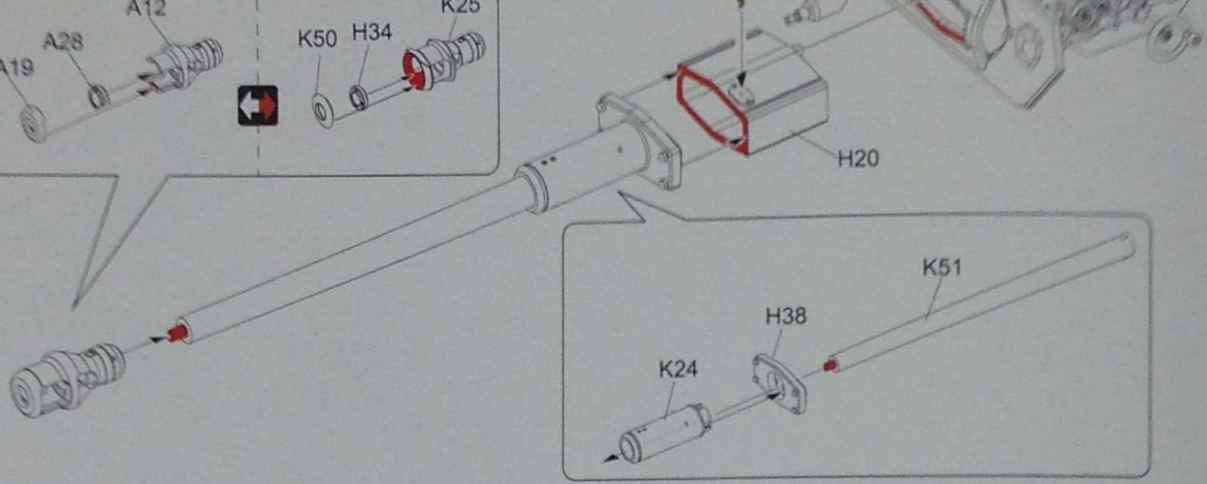
R45



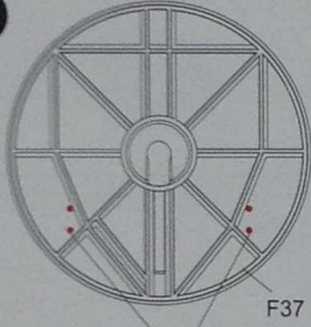
R77

Yb8

H20



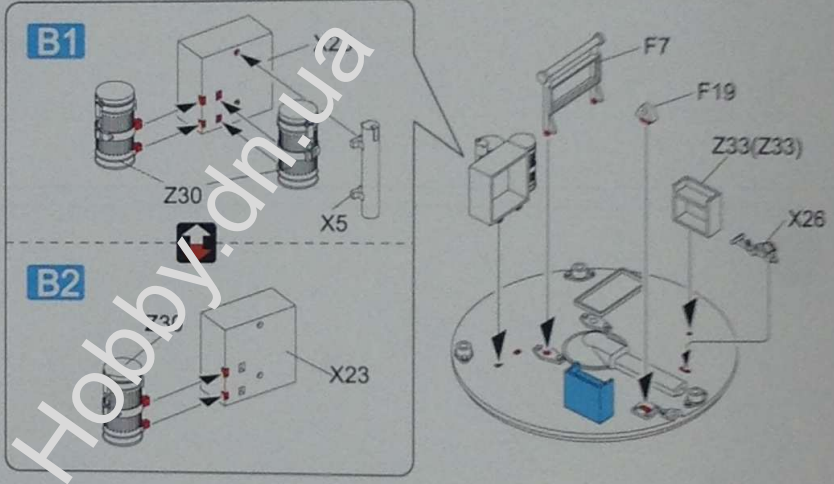
45



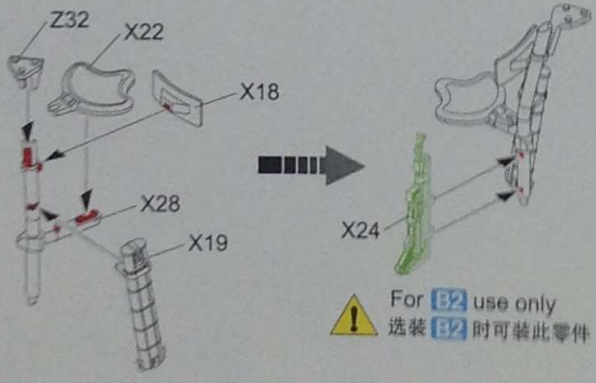
0.8mm

B1

B2

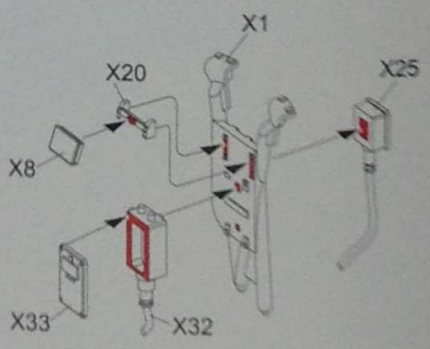


A12

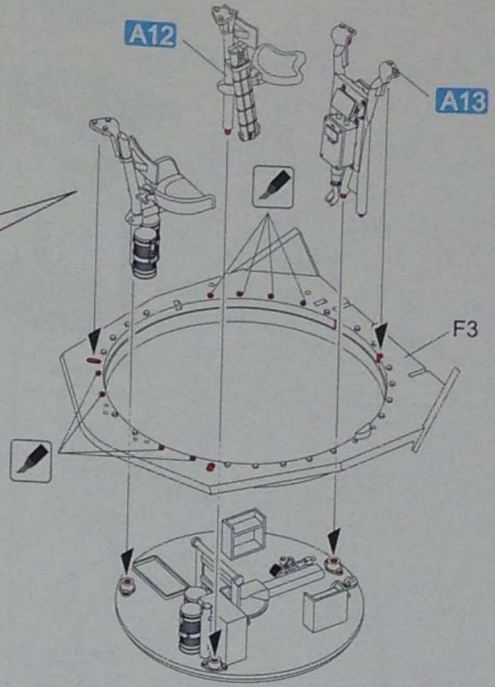
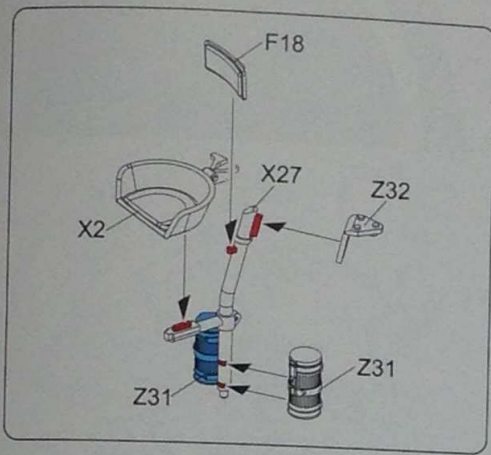


For B2 use only
选装 B2 时可装此零件

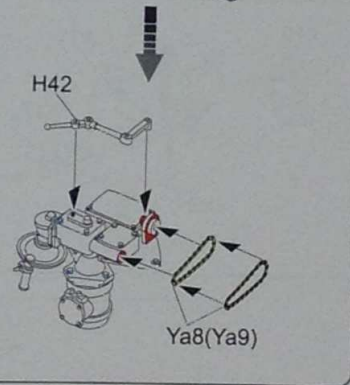
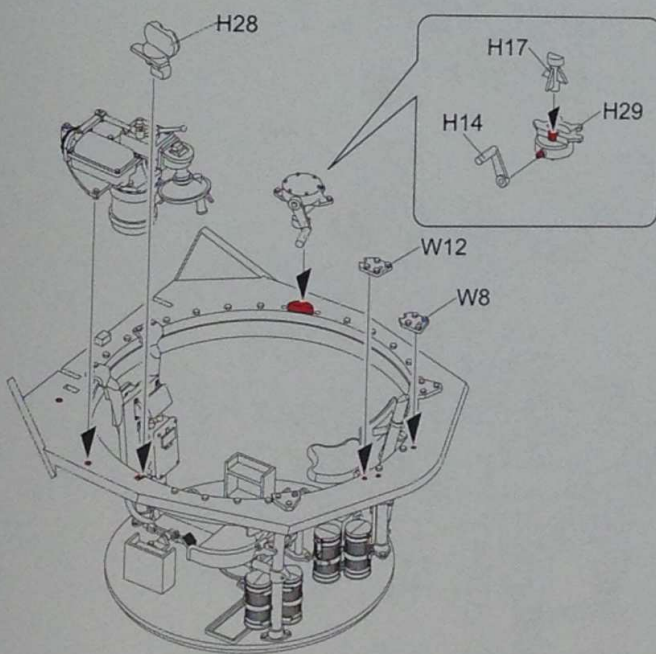
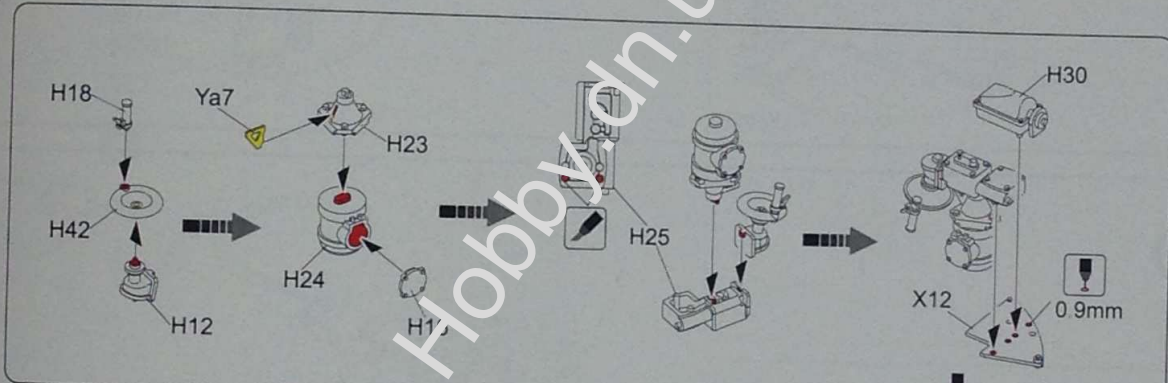
A13



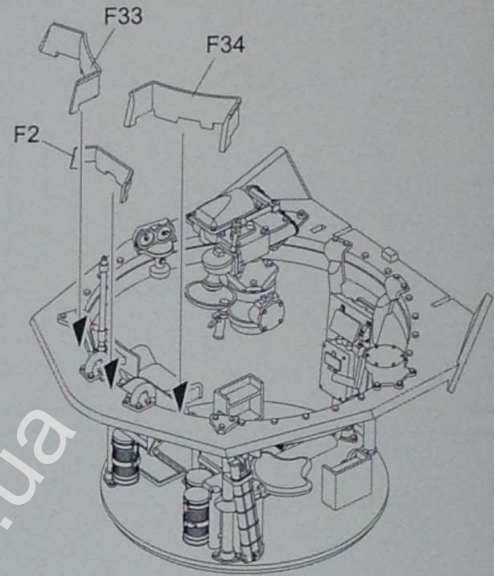
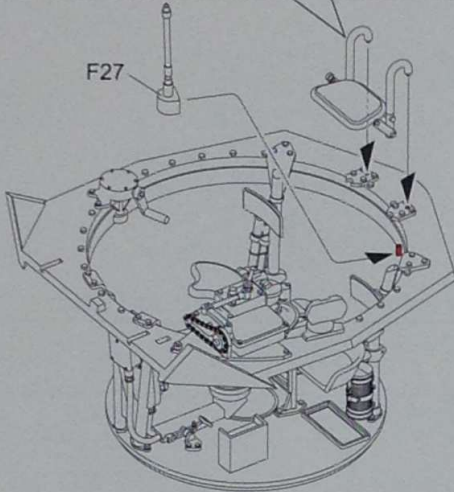
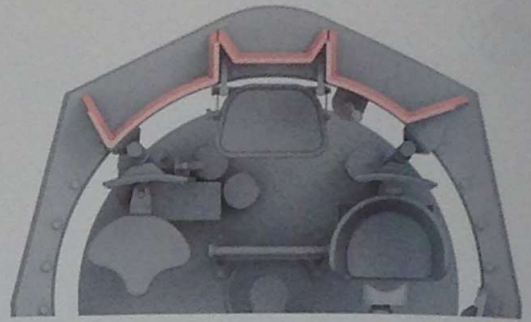
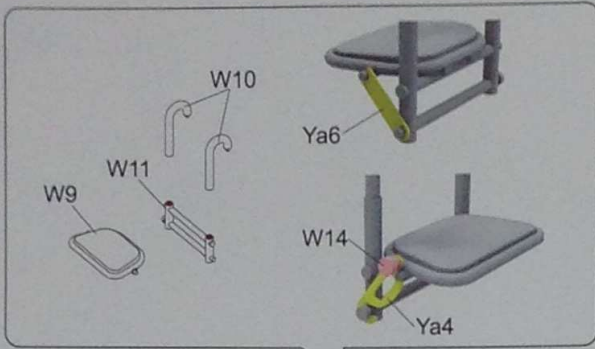
46



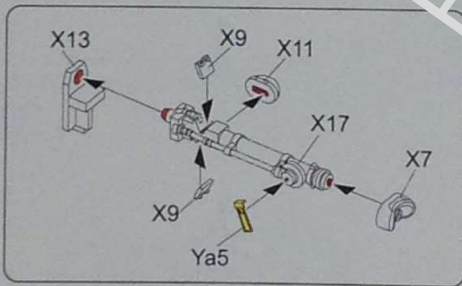
47



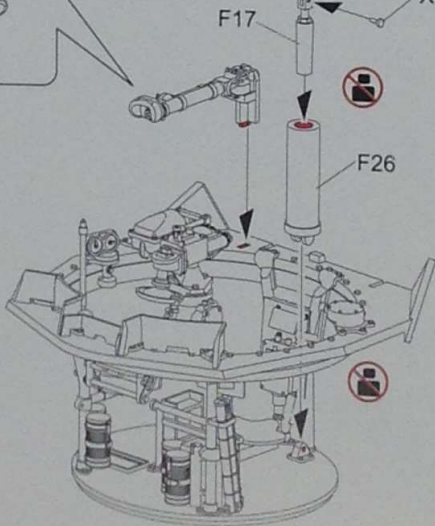
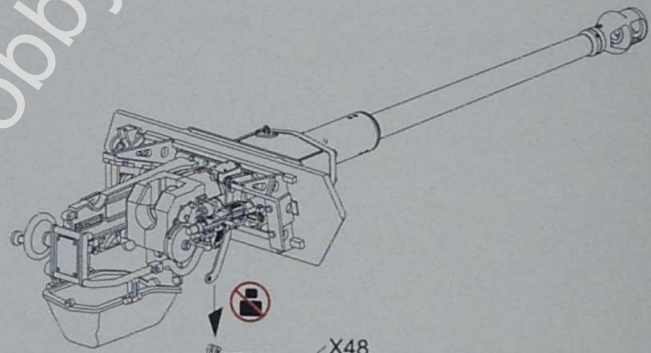
48

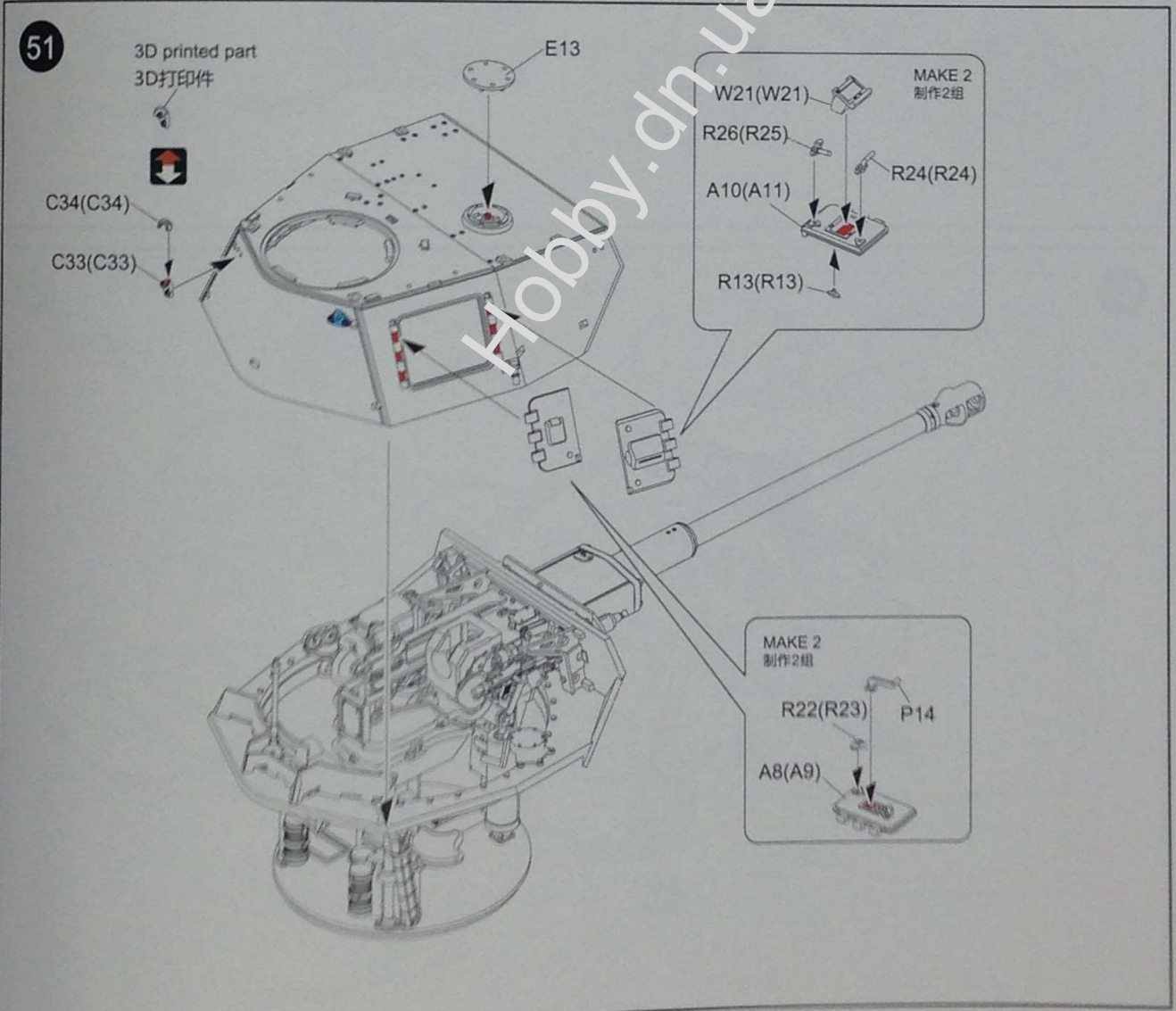
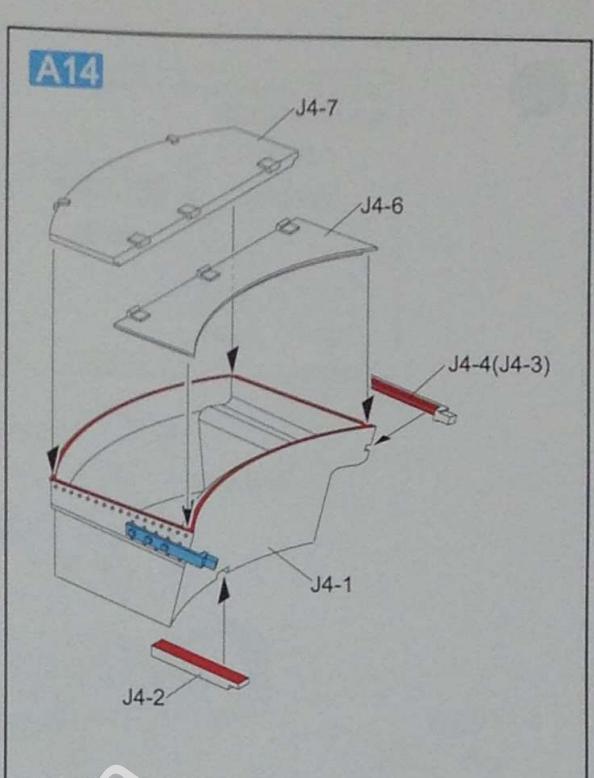
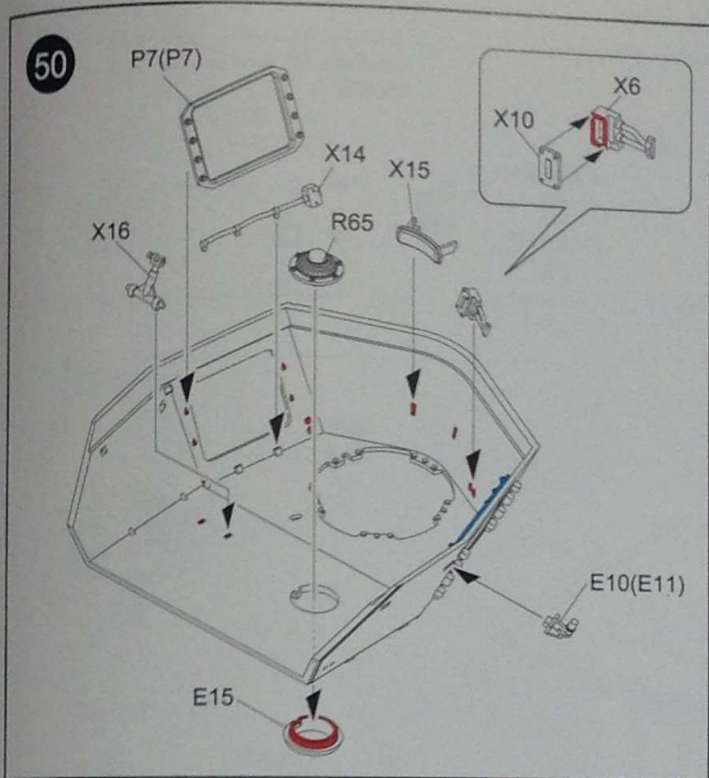


49



Hobby.dn.ua

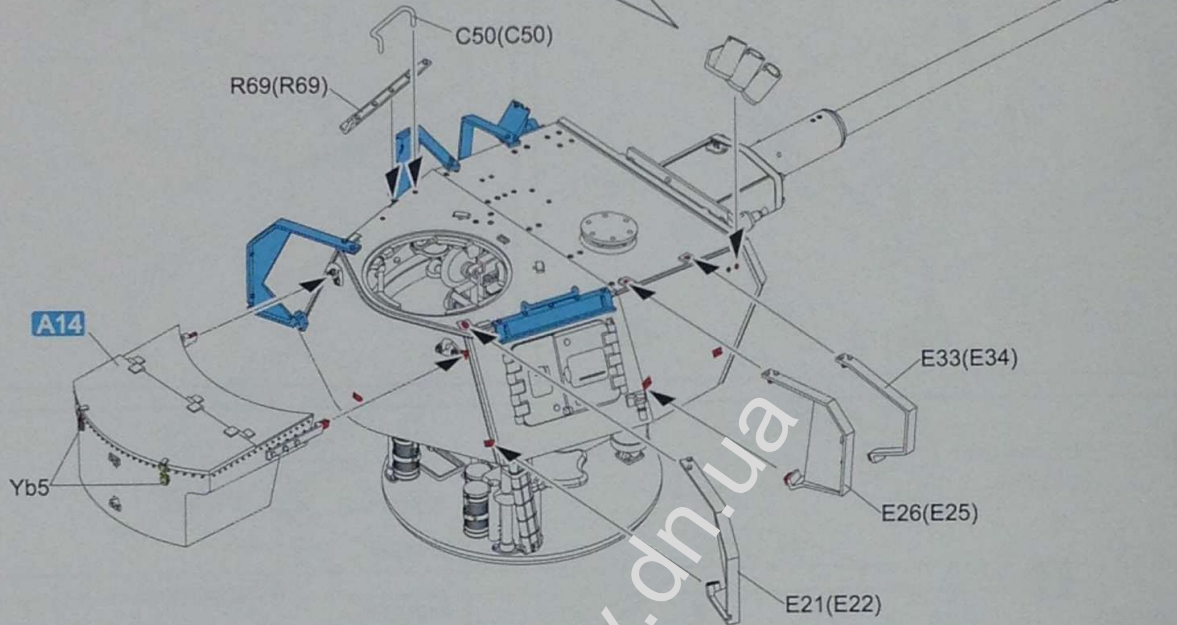
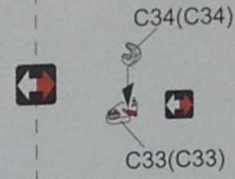
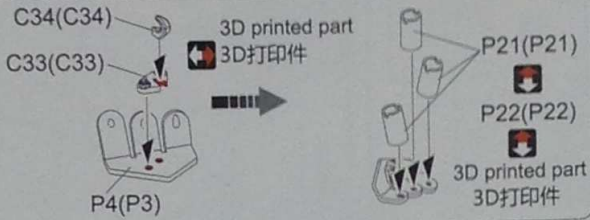




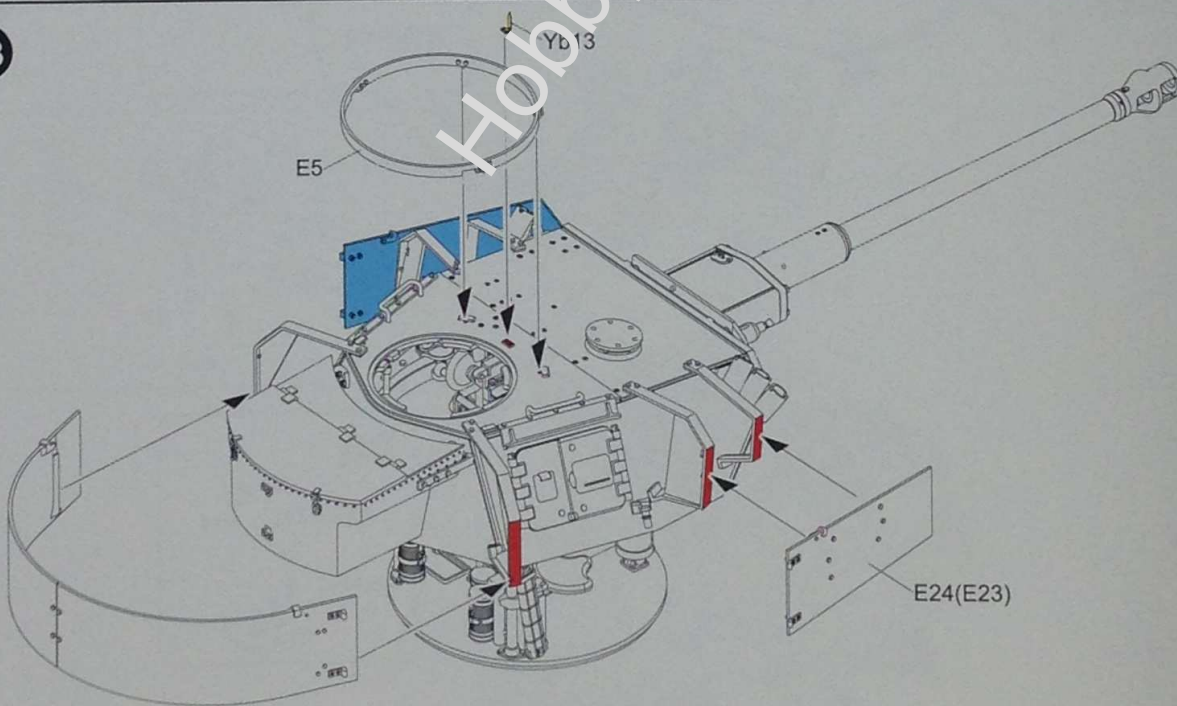
52

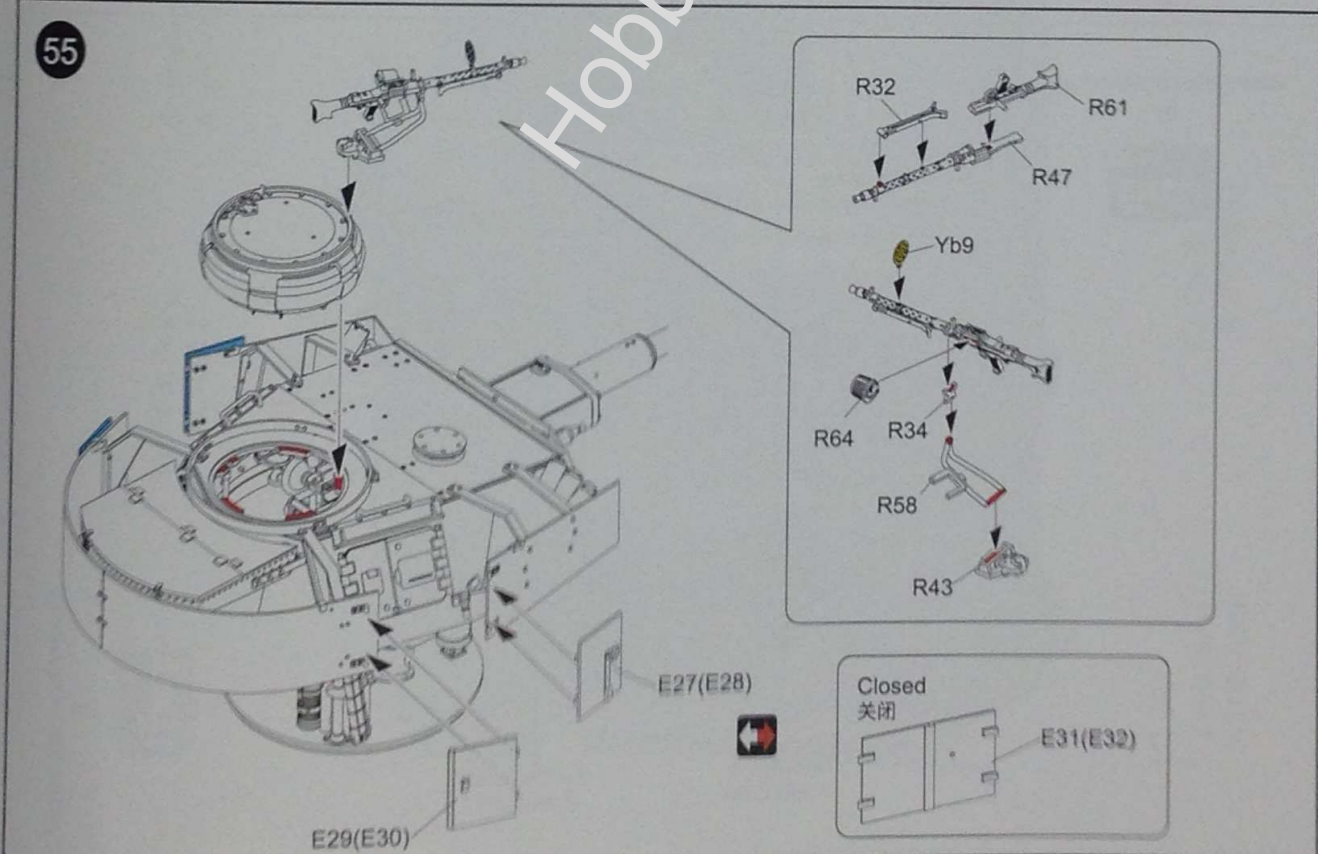
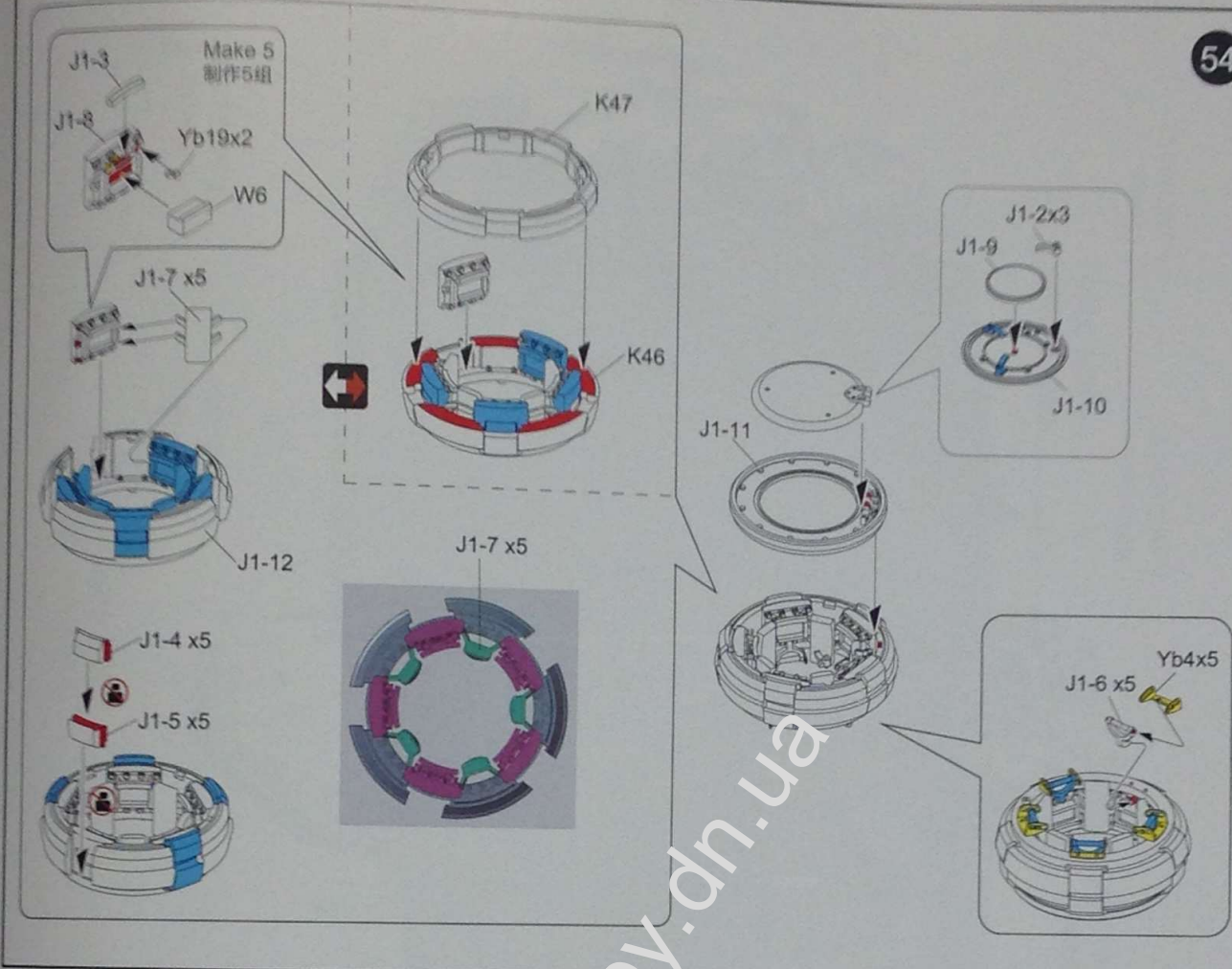
MAKE 2 Assembly for Ausf.G
制作2组 G型装配

Assembly for Ausf.H
H型装配

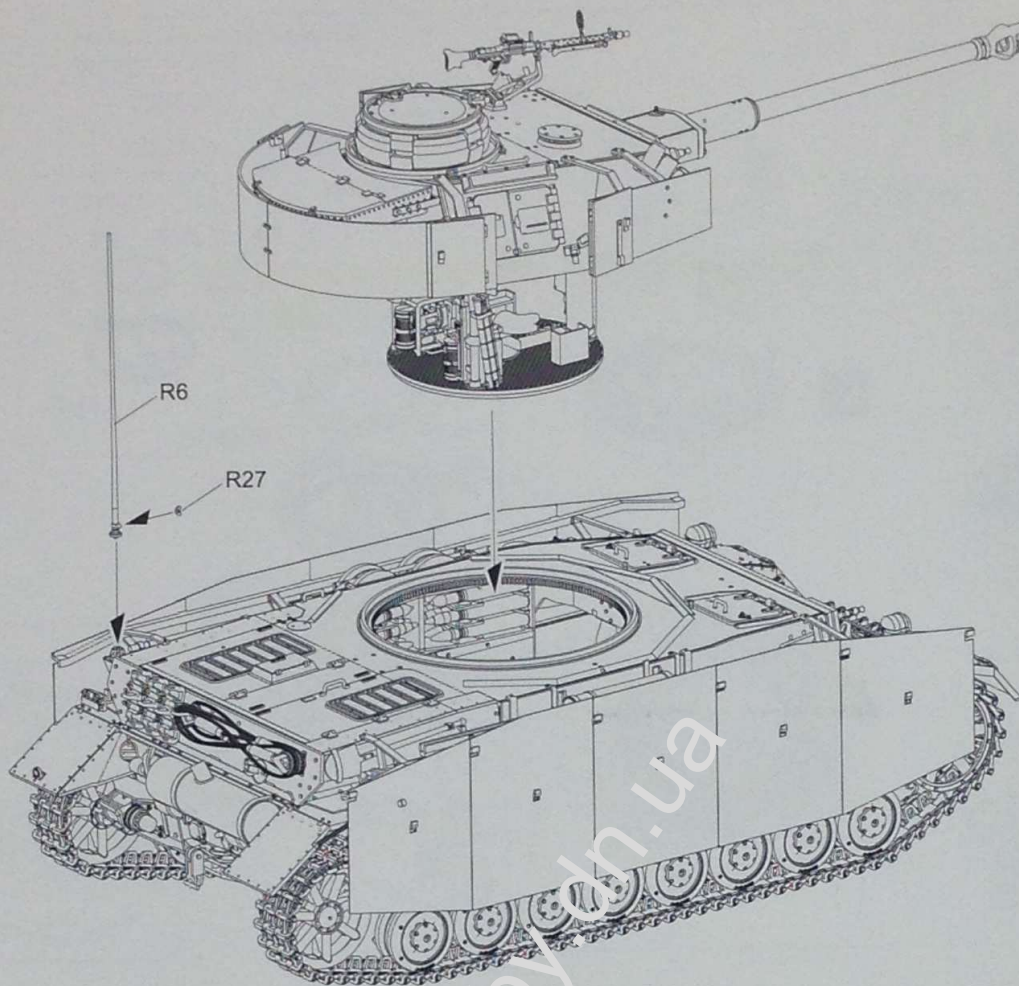


53

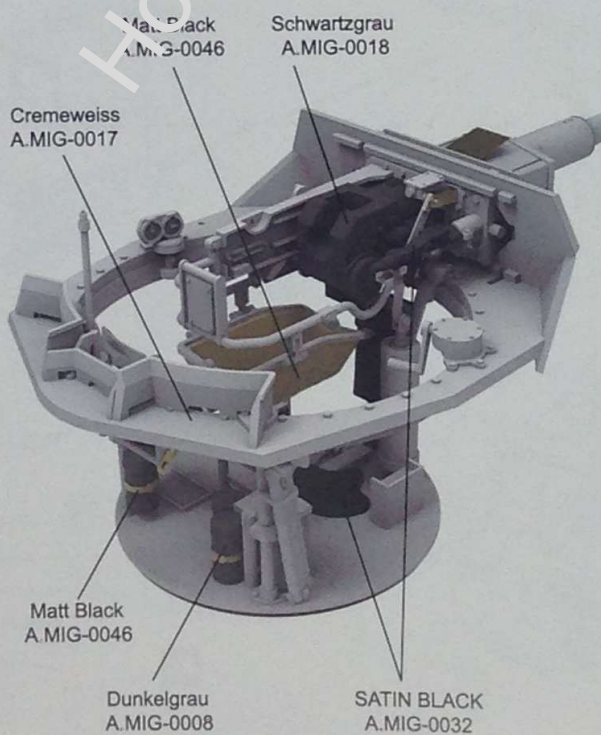




56



Color info and profiles
by



Color info and profiles
by



SATIN BLACK
A.MIG-0032

Cremerweiss
A.MIG-0017

Matt Black
A.MIG-0046

Grey Base
A.MIG-0908

Dark Rust
A.MIG-0041

Old Rust
A.MIG-0042



Olivgrun opt.1
A.MIG-0001

Brass
A.MIG-0197

SATIN BLACK
A.MIG-0032

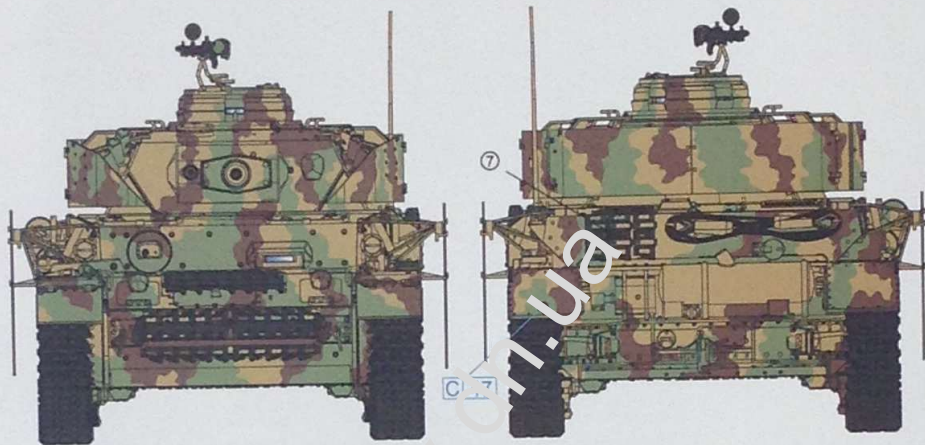
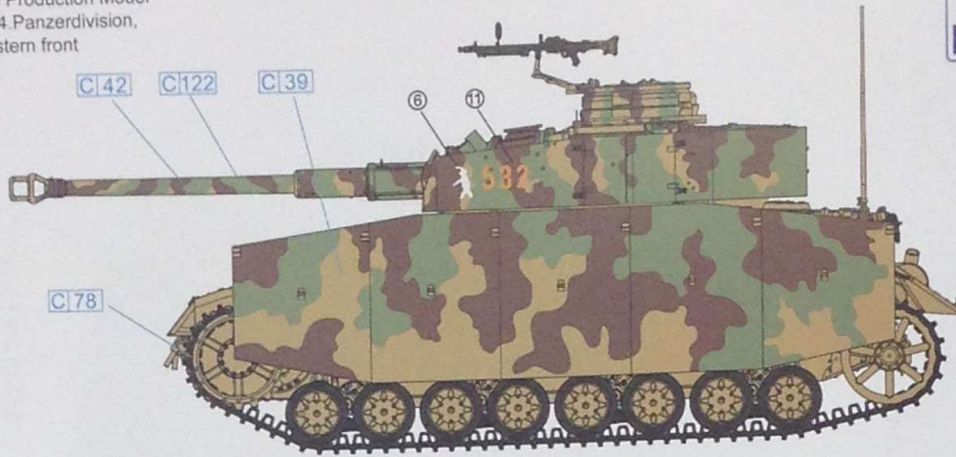
Grey Base
A.MIG-0908

Medium Rust
A.MIG-0040

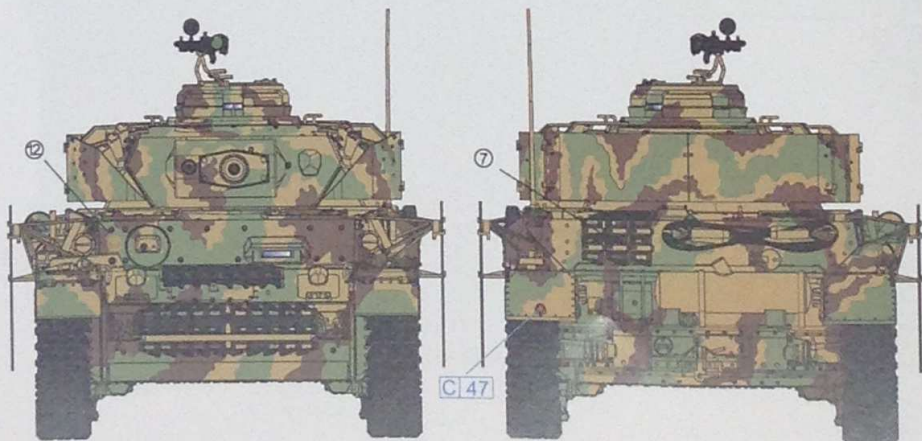
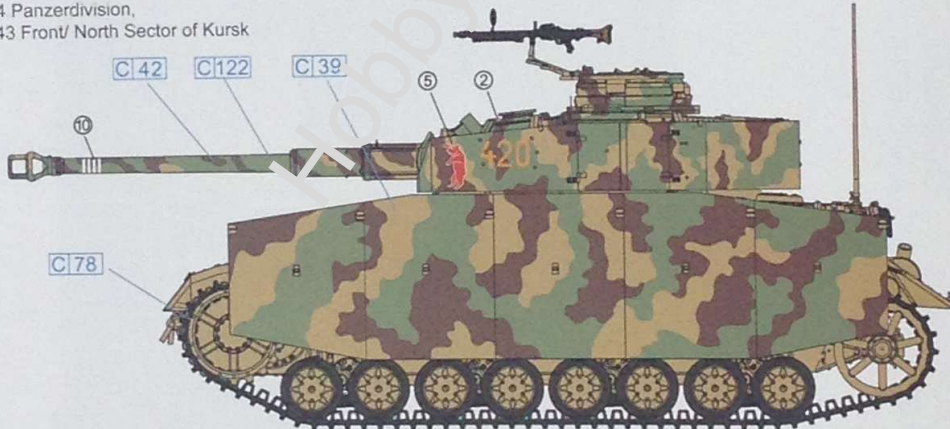
Rotbraun
A.MIG-0014

Steel
A.MIG-0191

Pz Kpfw IV Ausf G Late Production Model
 5./Panzerregiment 35, 4. Panzerdivision,
 No.532, June 1944 Eastern front



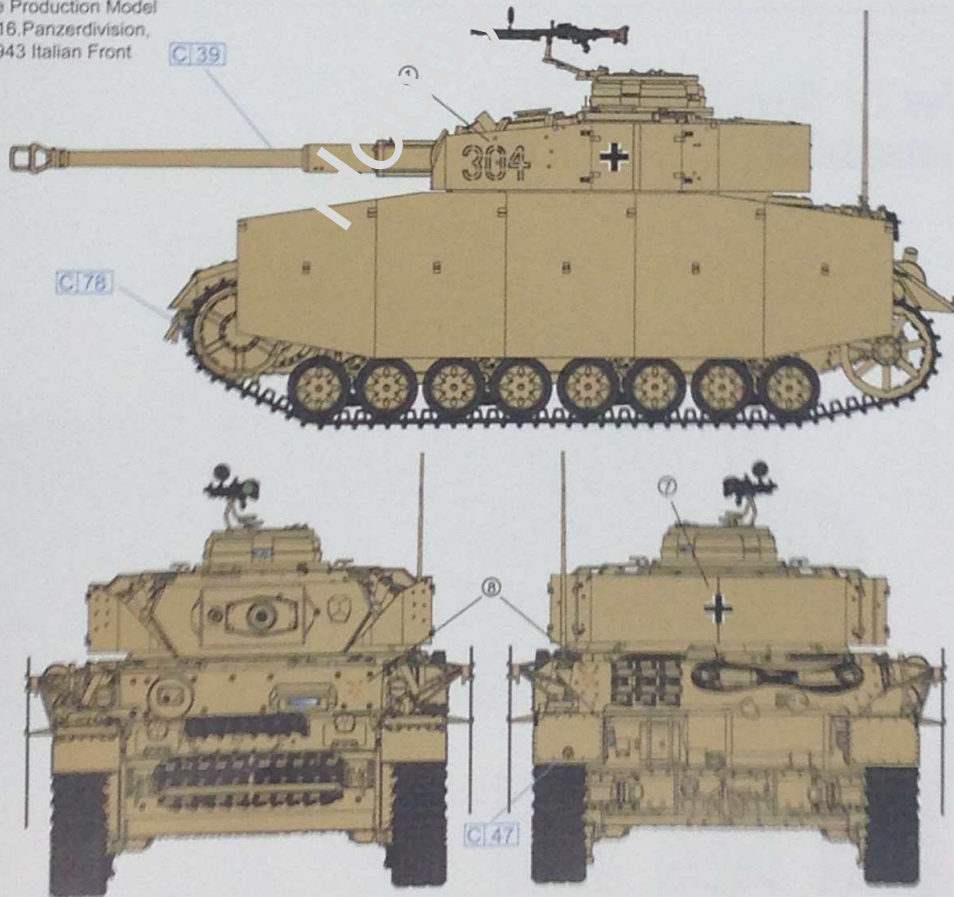
Pz Kpfw Ausf G late Production Model
 4./Panzerregiment 35, 4. Panzerdivision,
 No.420, Summer of 1943 Front/ North Sector of Kursk



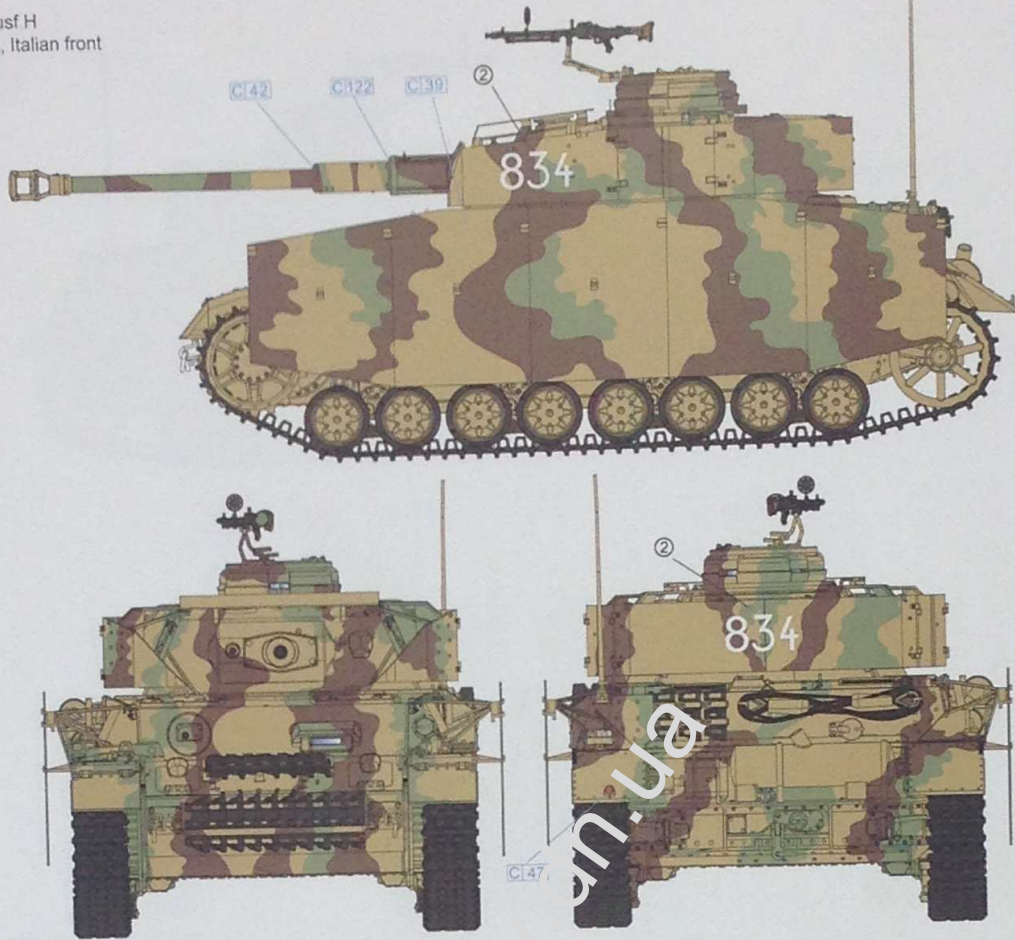
Pz.Kpfw.IV Ausf.G Late Production Model
6./Panzerregiment 4, 2.Panzerdivision,
No.641, 1943 Eastern front/Kursk



Pz.Kpfw.IV Ausf.G late Production Model
3./Panzerregiment 2, 16.Panzerdivision,
No.304, Summer of 1943 Italian Front



Pz.Kpfw IV Ausf H
No.834, 1944, Italian front



Pz.Kpfw.IV Ausf.G/H 2IN1 WITH FULL INTERIOR KIT



WEBSITE



FACE BOOK



微博



微信公众号

© RYEFIELD MODEL MADE IN CHINA



RYEFIELD MODEL®

香港麦田模型玩具有限公司

NO.41-47 ANDELE ROAD NORTH POINT, HONG KONG

NO.1511 WING HING COMMERCIAL BUILDING