

1/35 SCALE
5068
Military Models Series

RFM
RYEFIELD MODEL



Pz.Kpfw. IV J mit Panther F Turret

ASSEMBLY ICONS



OPTIONAL
选择



CEMENT
膠水



DO NOT CEMENT
不使用膠水



INSTANT CEMENT
瞬間接著劑



BEND
彎折



MAKE 2
製作2組



OPEN HOLE
鑽孔



REMOVE
切除



BE CAREFUL
注意



APPLY DECAL
貼上水貼紙

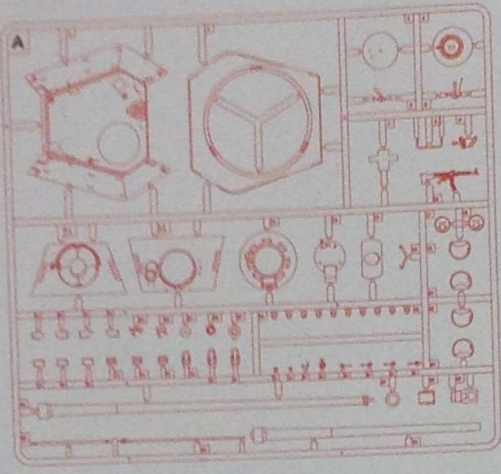
CAUTION!

Read carefully and fully understand the instructions before commencing assembly.
Supervising adult should also read the instructions if a child assembles the model.
When you used glue or paint, do not use near a naked flame, and use in a well-ventilated room.
When assembling this kit, tools including knives are used. Extra care should be taken to avoid personal injury.
Read and follow the instructions supplied with paints and/ or cement. Use plastic cement and paints only.
Keep out of reach of small children. Children must not be allowed to suck any part, or pull vinyl bag over the head.

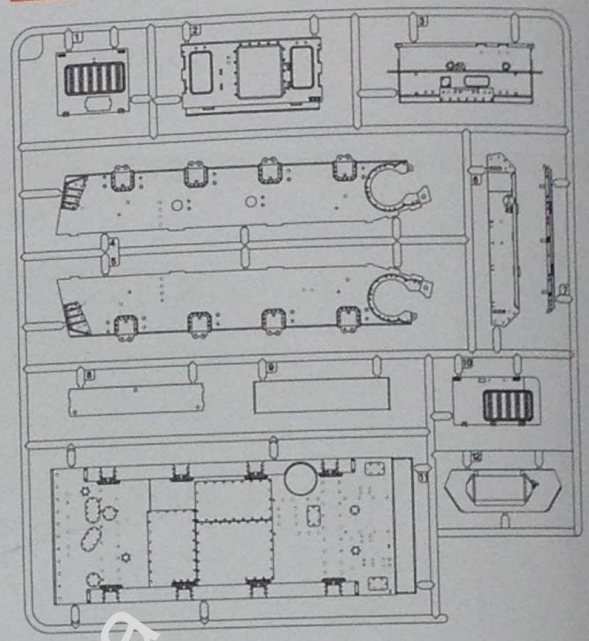
在裝配前仔細閱讀說明並完全理解。小孩裝配時需成人看護且需仔細閱讀說明。
使用膠水和油漆時，應遠離火源並打開窗戶保持空氣流通。
製作時請格外注意工具刀和零件的鋒利尖銳部分，避免對身體造成傷害。
在使用膠水和油漆前仔細閱讀注意事項，按照說明正確使用膠水和油漆。
請將本品放在兒童接觸不到的地方，套件中的塑膠包裝袋會對兒童造成窒息的危險。

PARTS 部品图

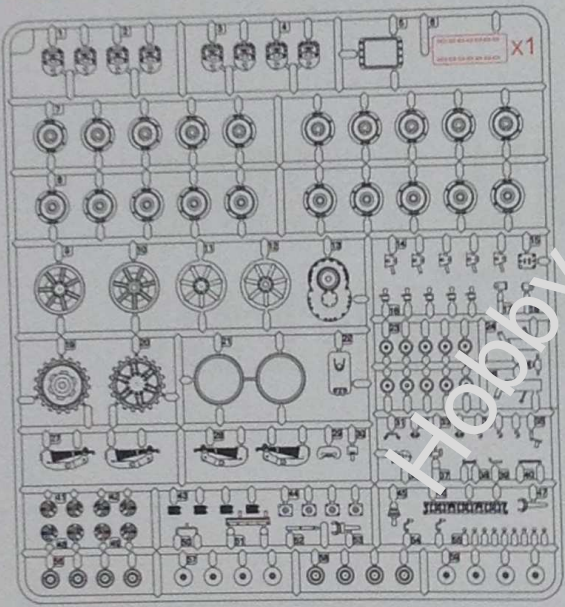
AX1



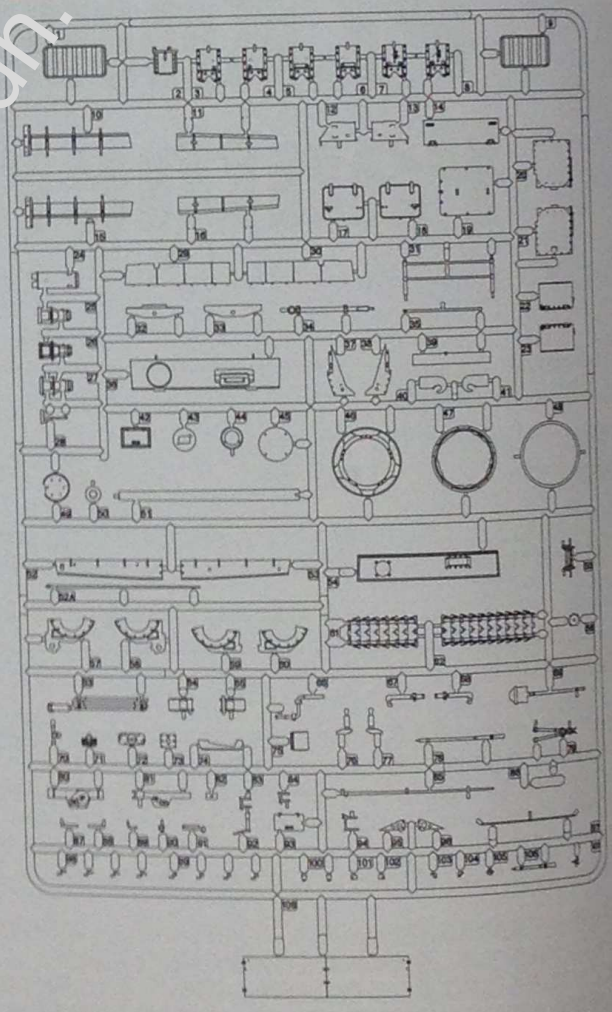
AX1



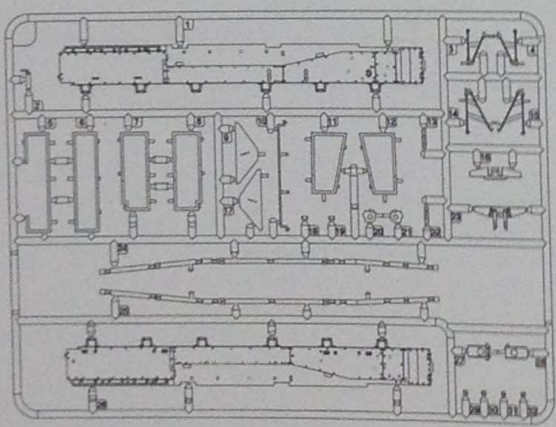
CX2



KX1

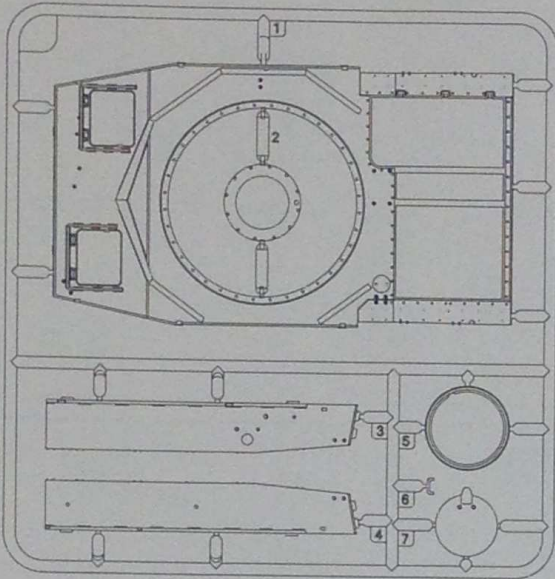


GX1

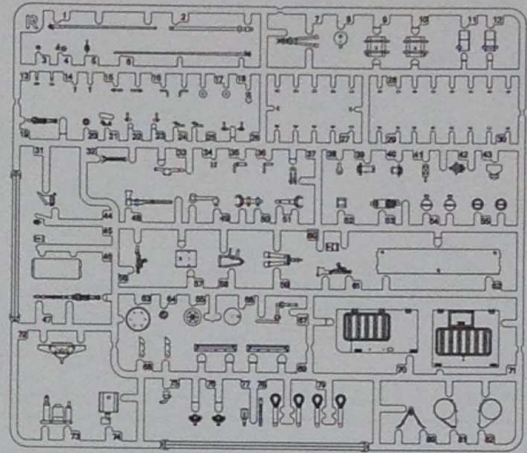


PARTS 部品图

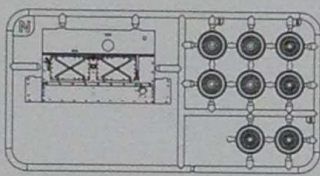
B x 1



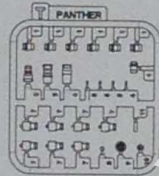
R x 1



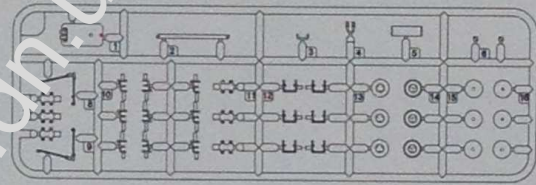
N x 1



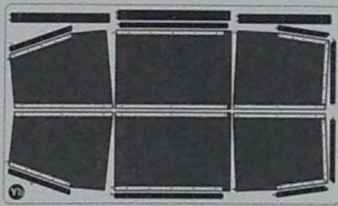
T x 1



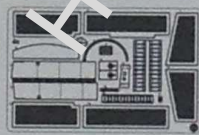
D x 2



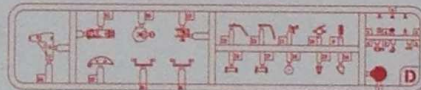
Yb x 1



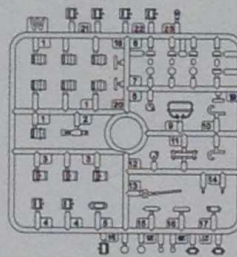
Ya x 1



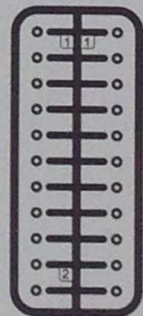
D x 1



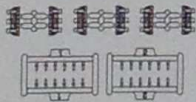
w x 1



Poly Cap

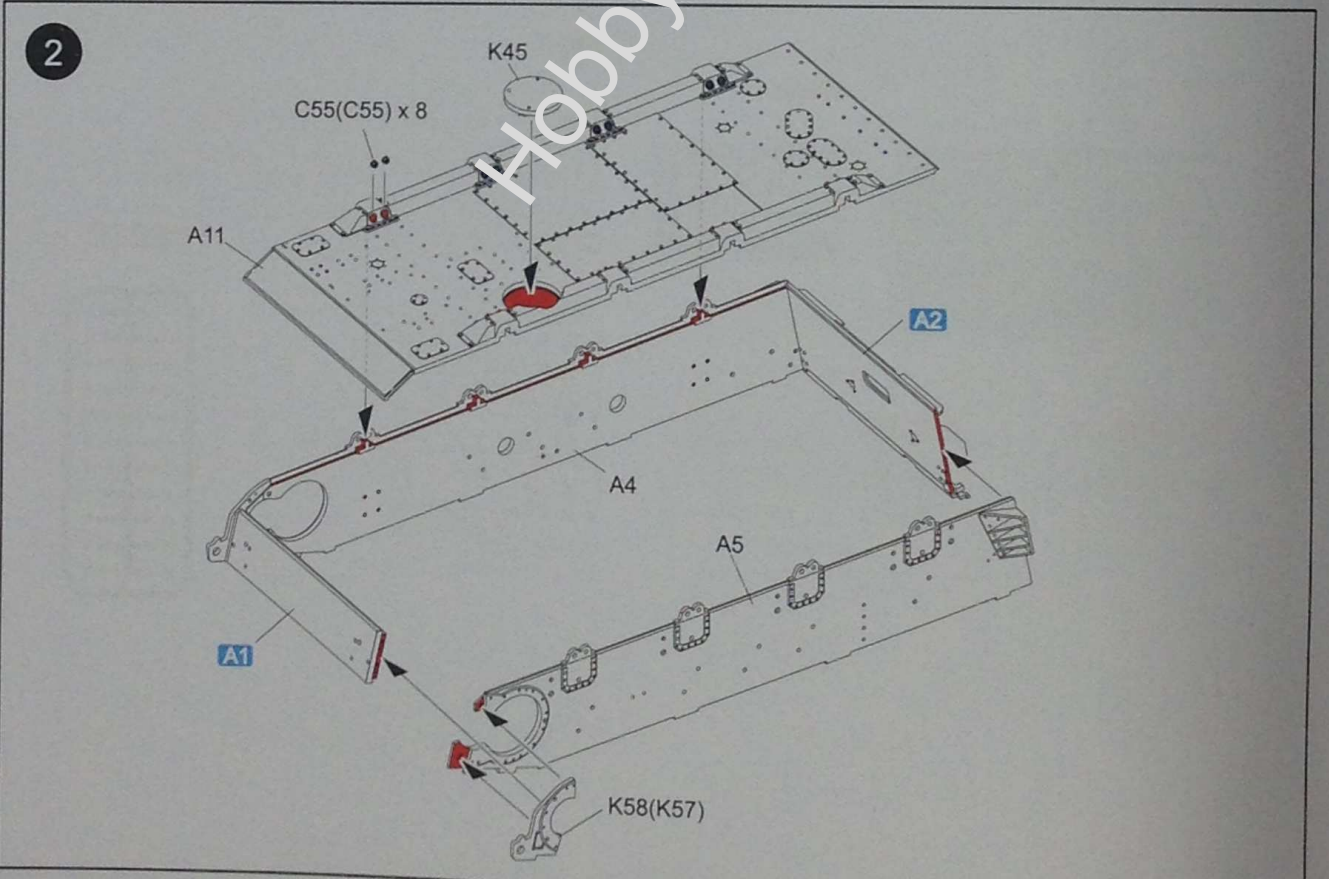
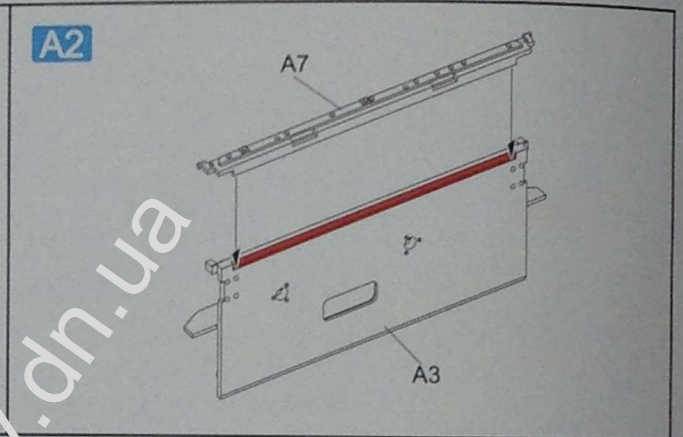
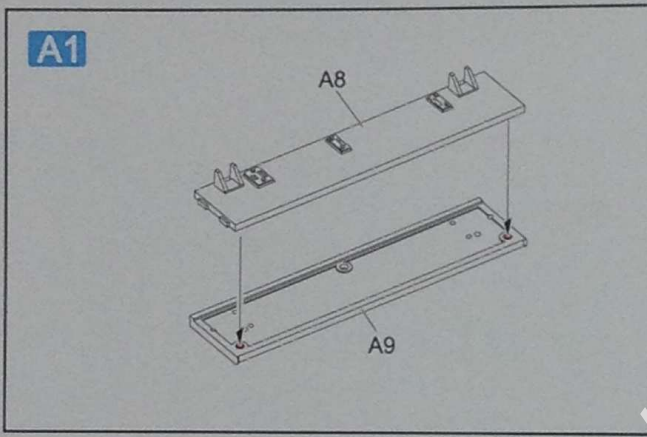
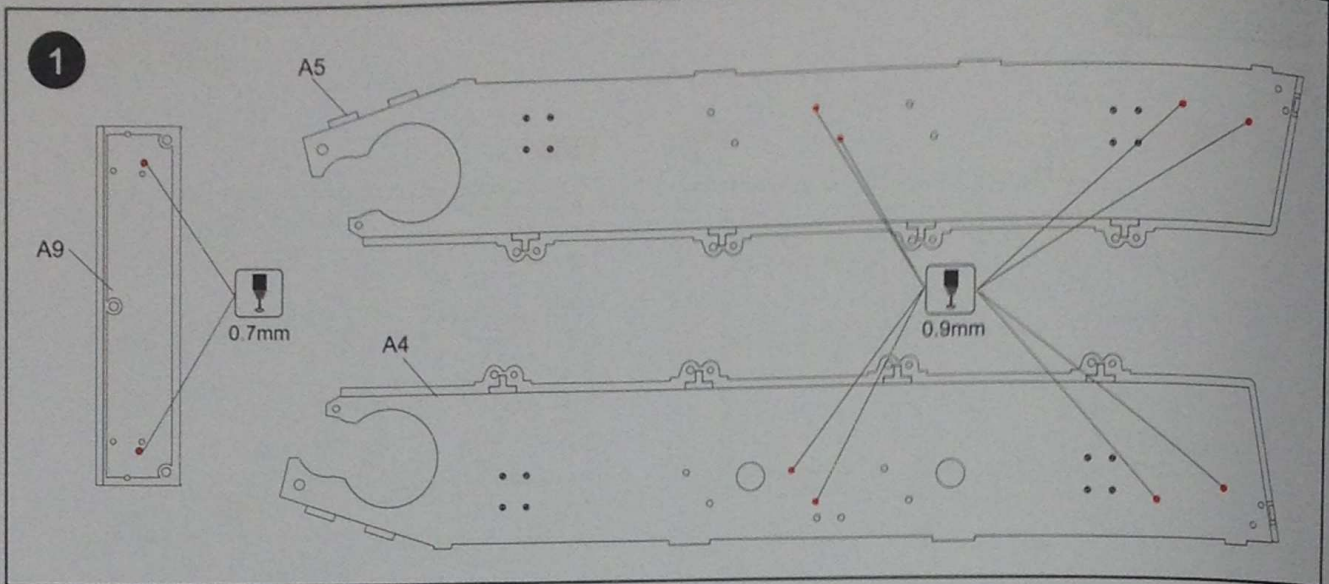


Tracks x 204

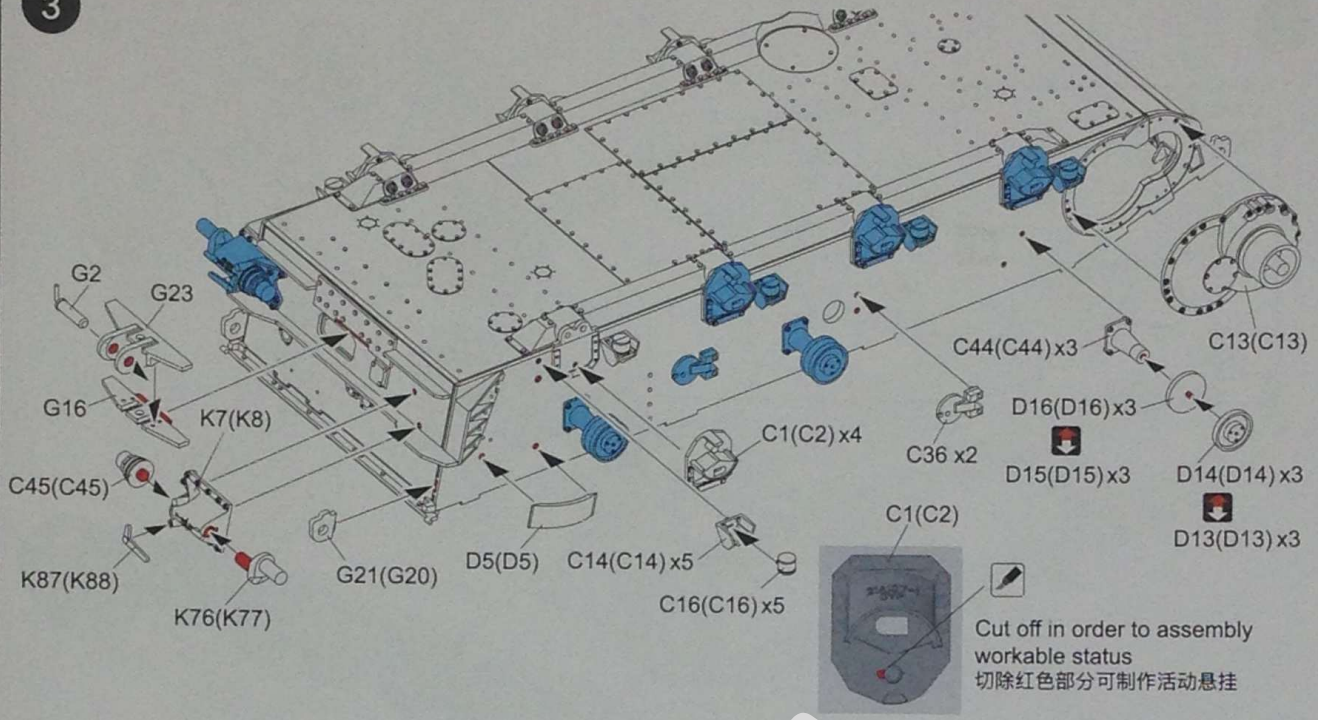


Decal x 1

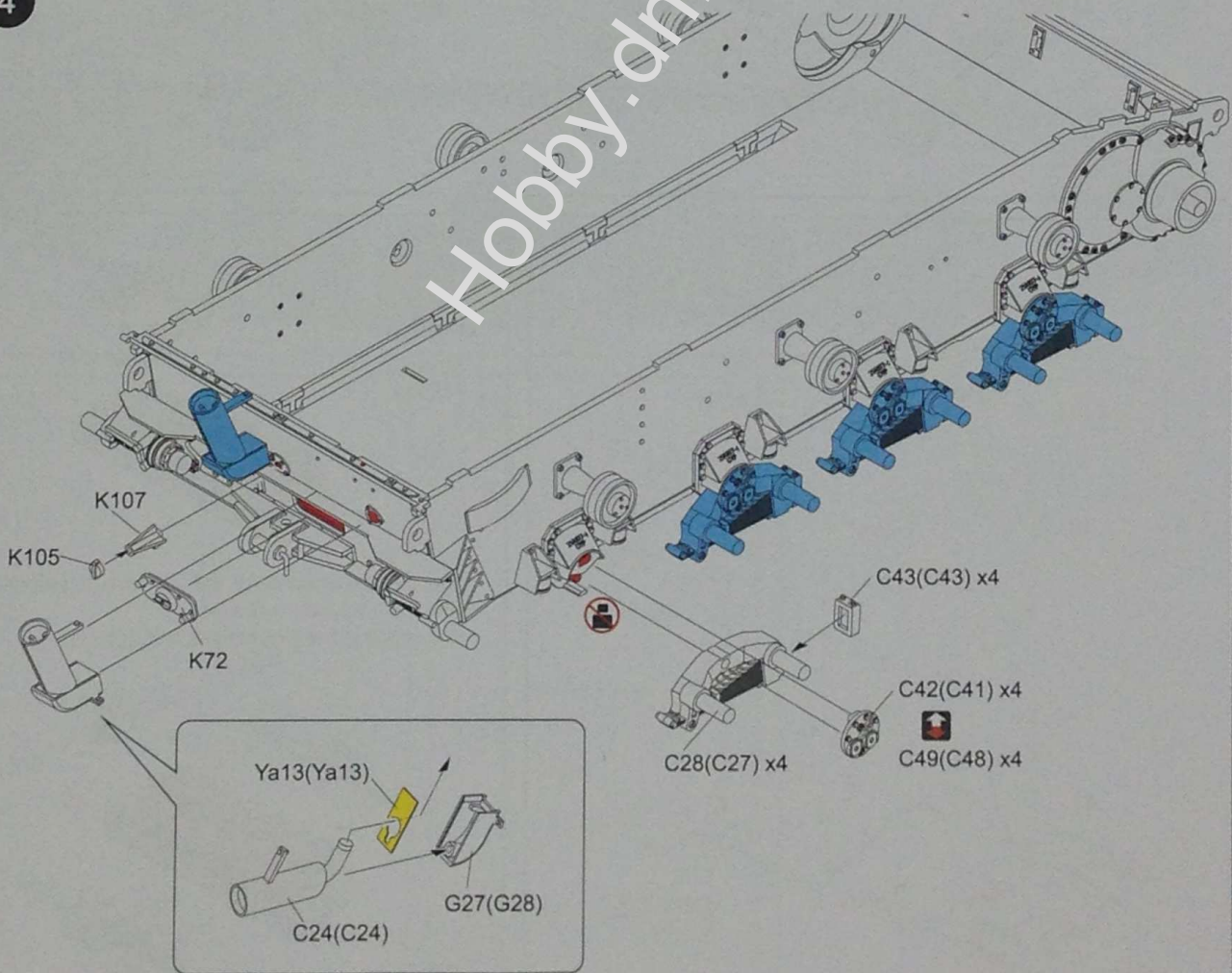




3

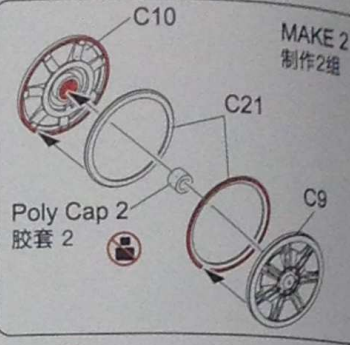
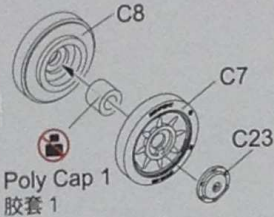


4

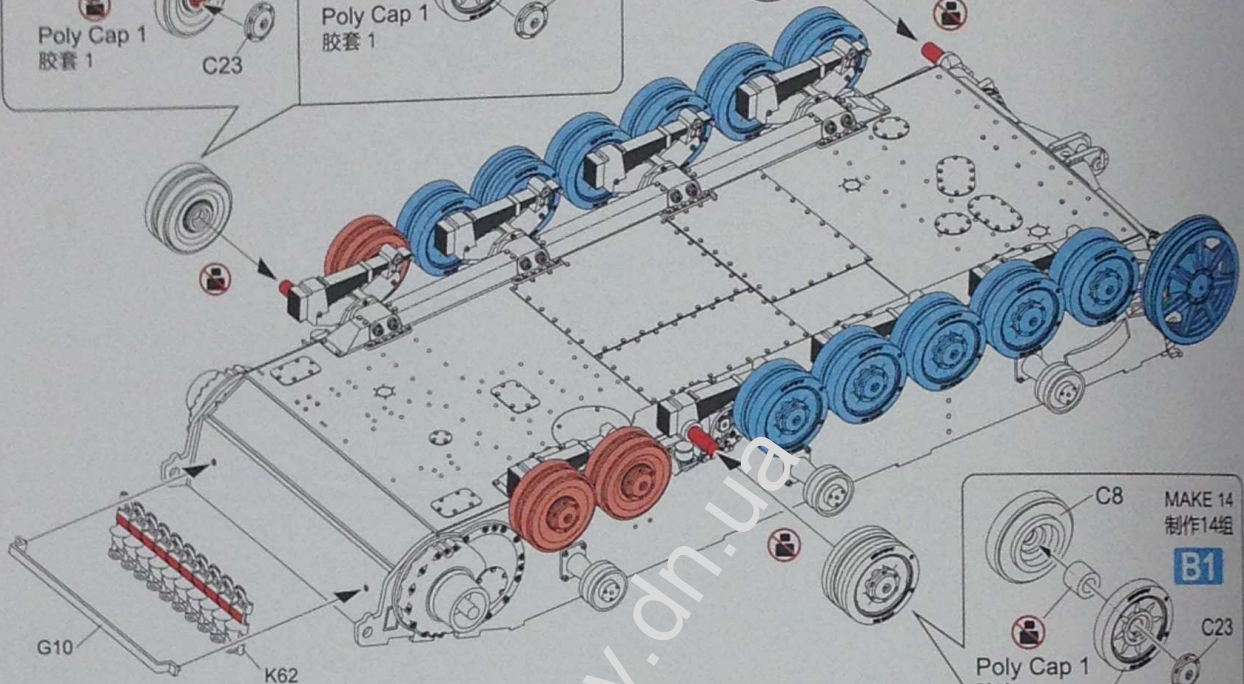


5

MAKE 4
制作4组



MAKE 2
制作2组

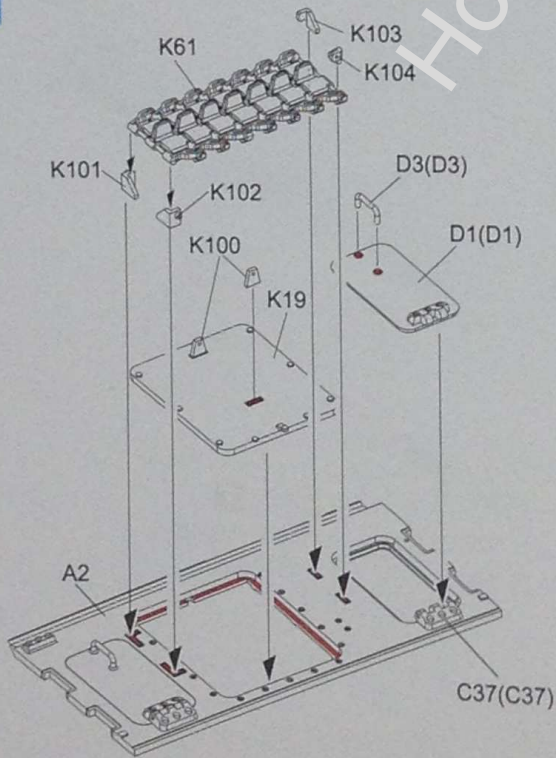


MAKE 14
制作14组

B1

Poly Cap 1
胶套 1

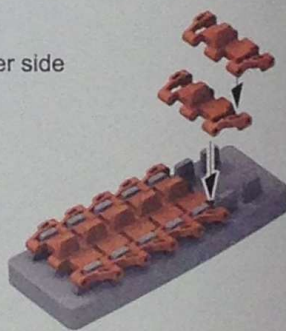
A3



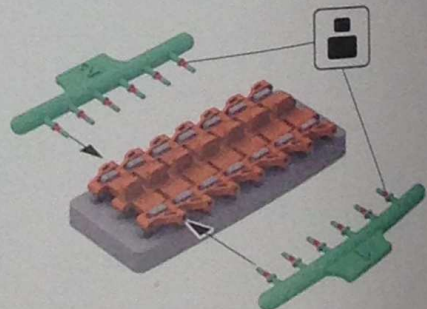
A4

98 pieces per side
每侧98节

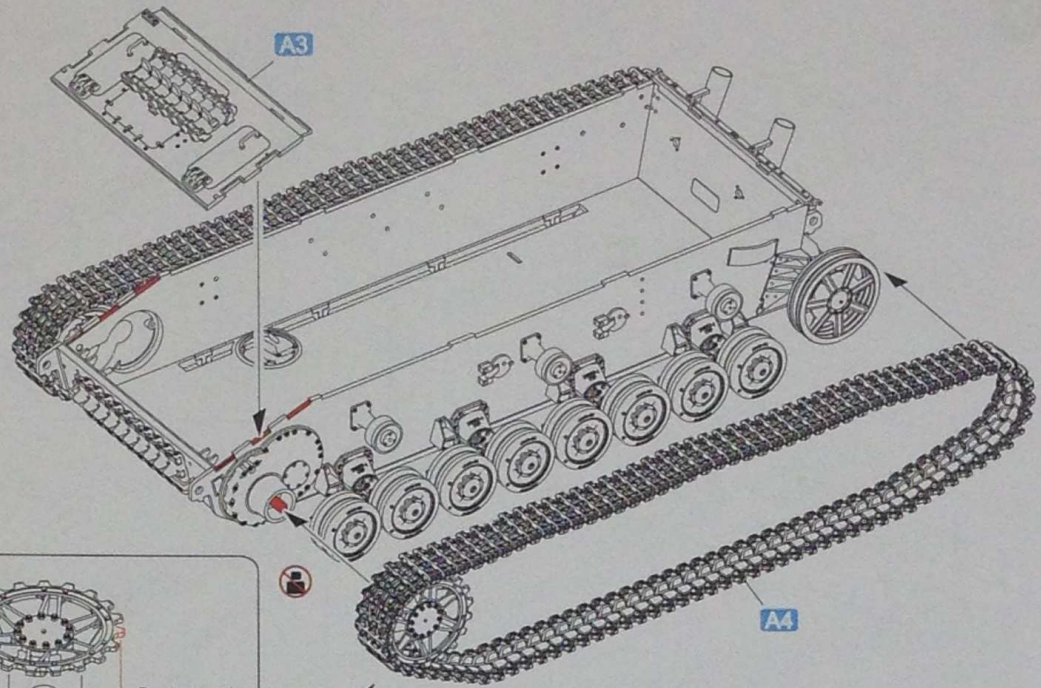
MAKE 2
制作2组



Use the cement only on the red parts to ensure that the track can workable.
仅在红色部分上使用胶水以确保履带的活动性。



6



MAKE 2
制作2组

C19(C19)

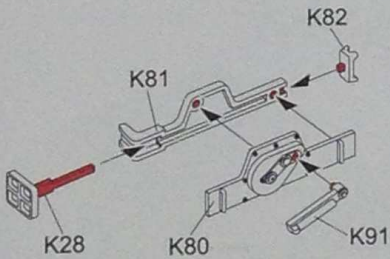
Poly Cap 1
胶套 1

C20(C20)

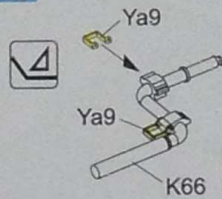
Gear teeth
aligned
齿轮对齐



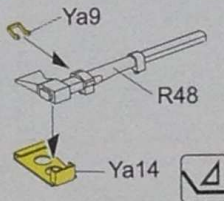
A5



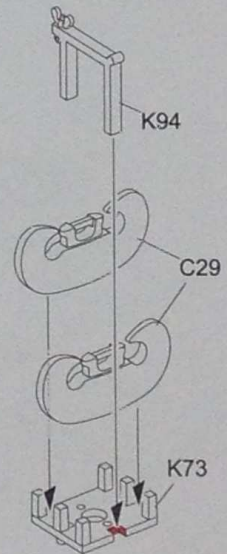
A6



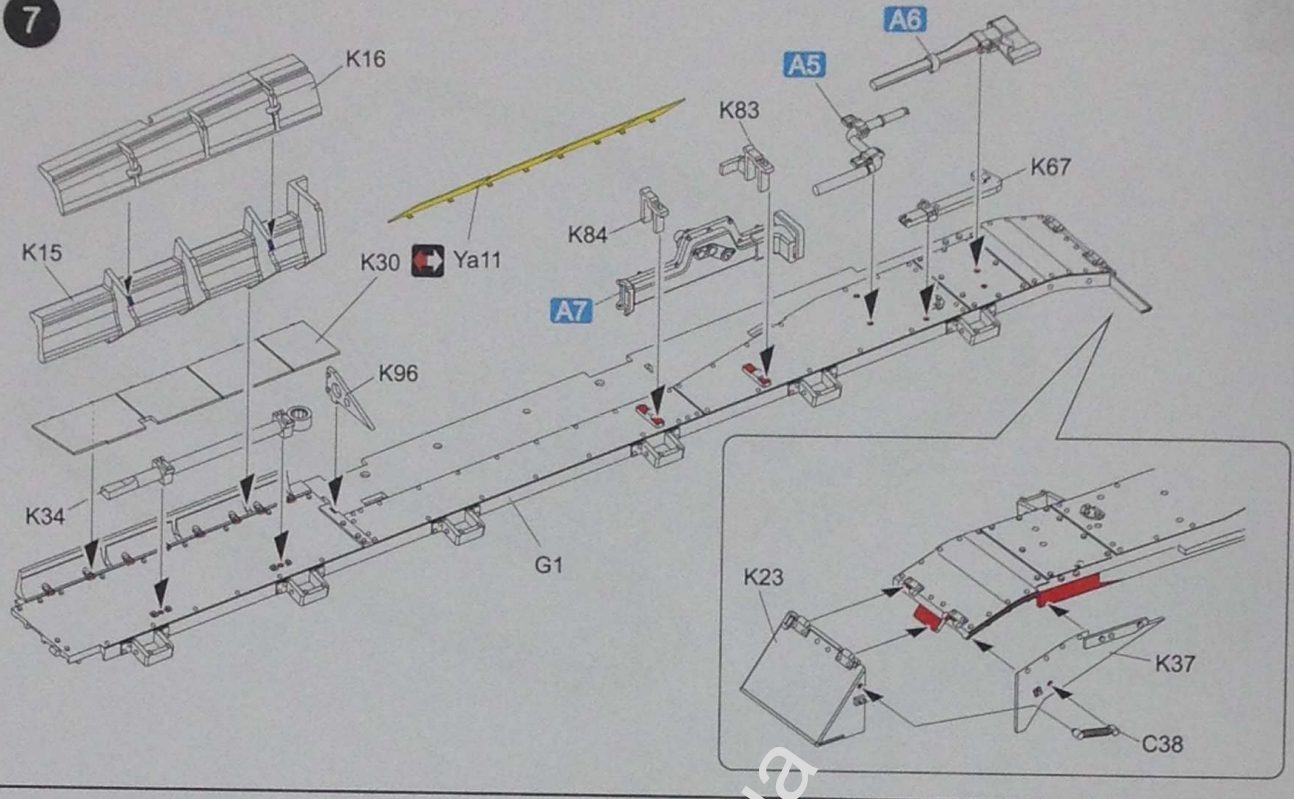
A7



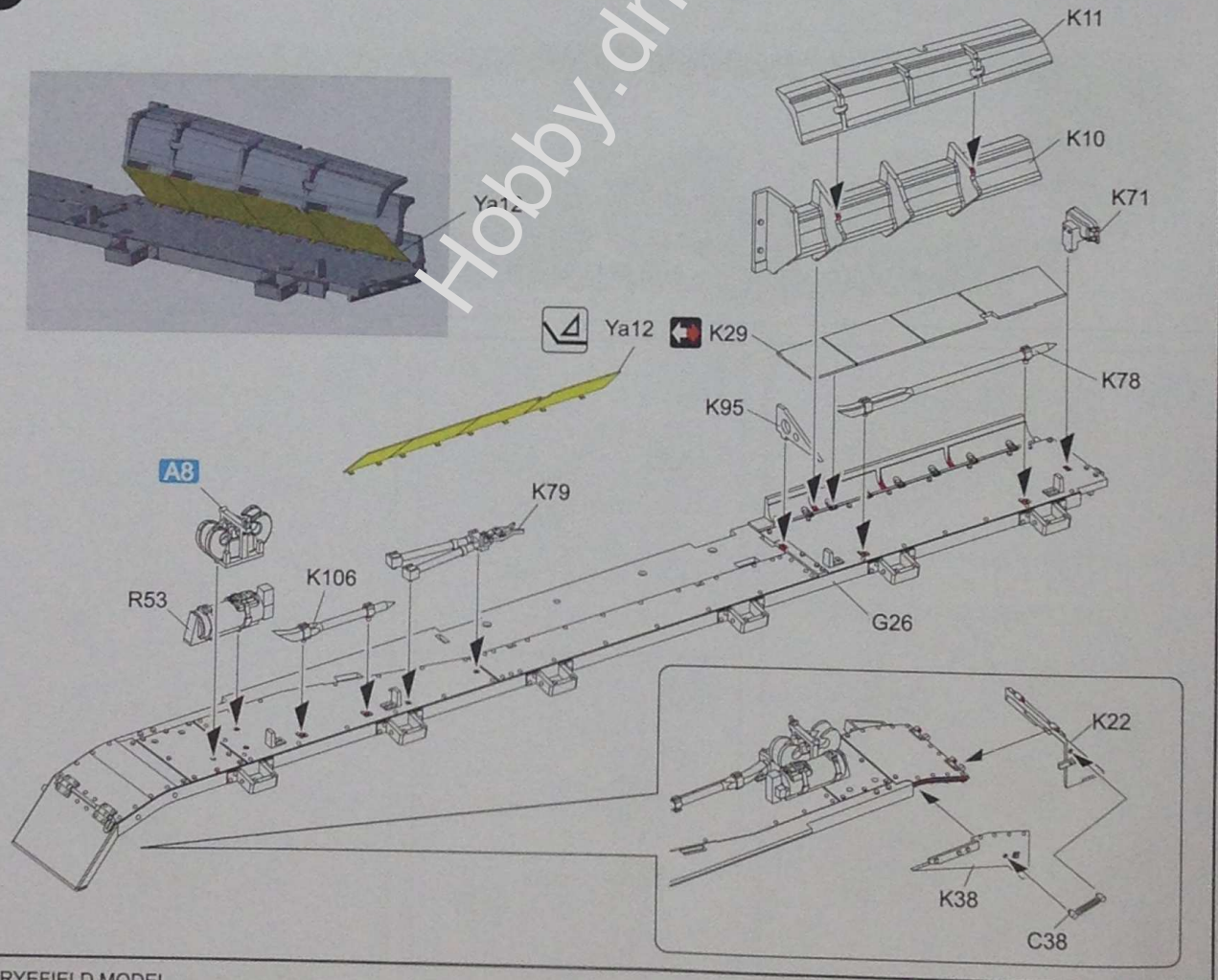
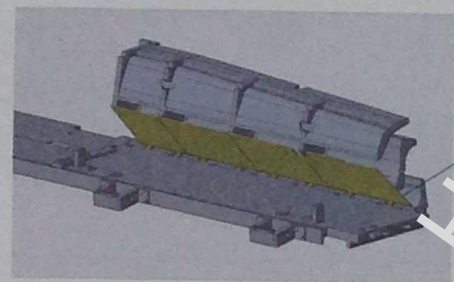
A8



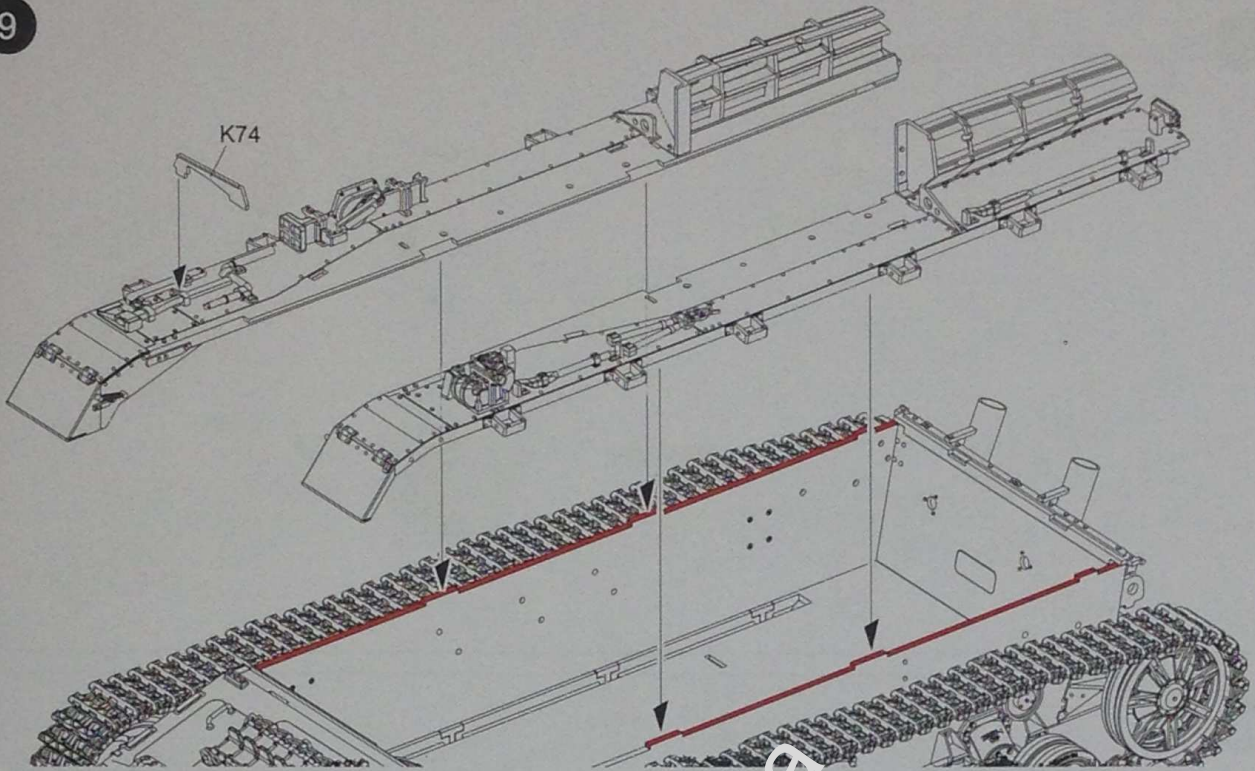
7



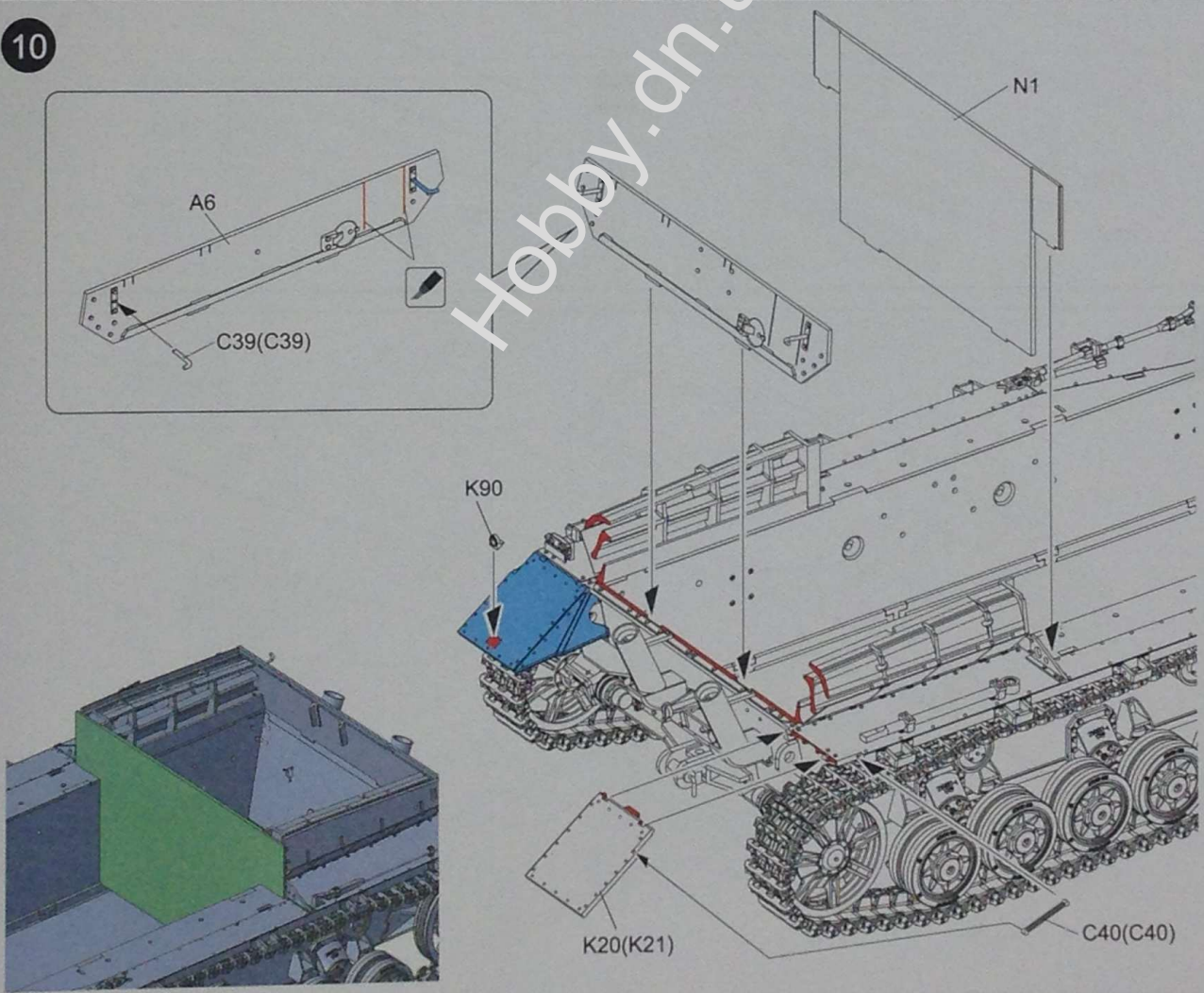
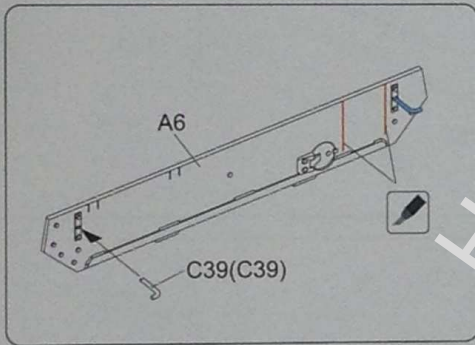
8

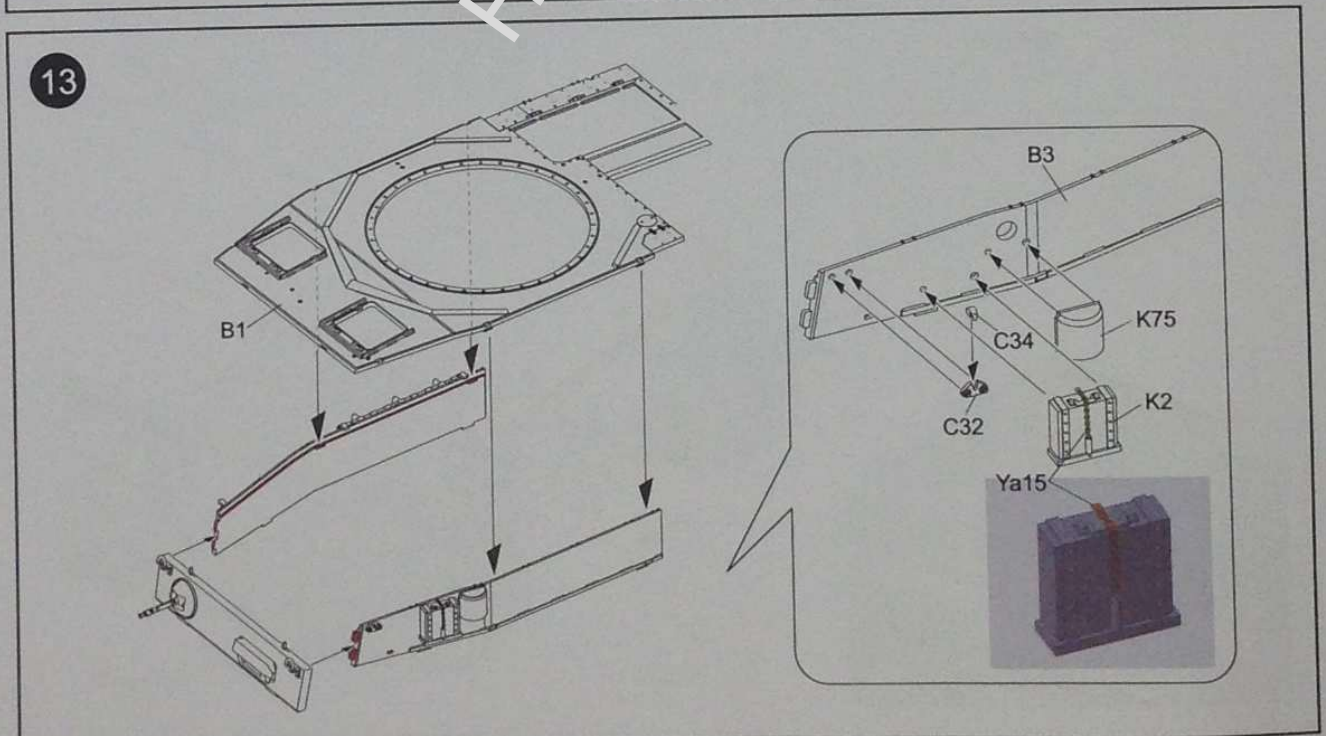
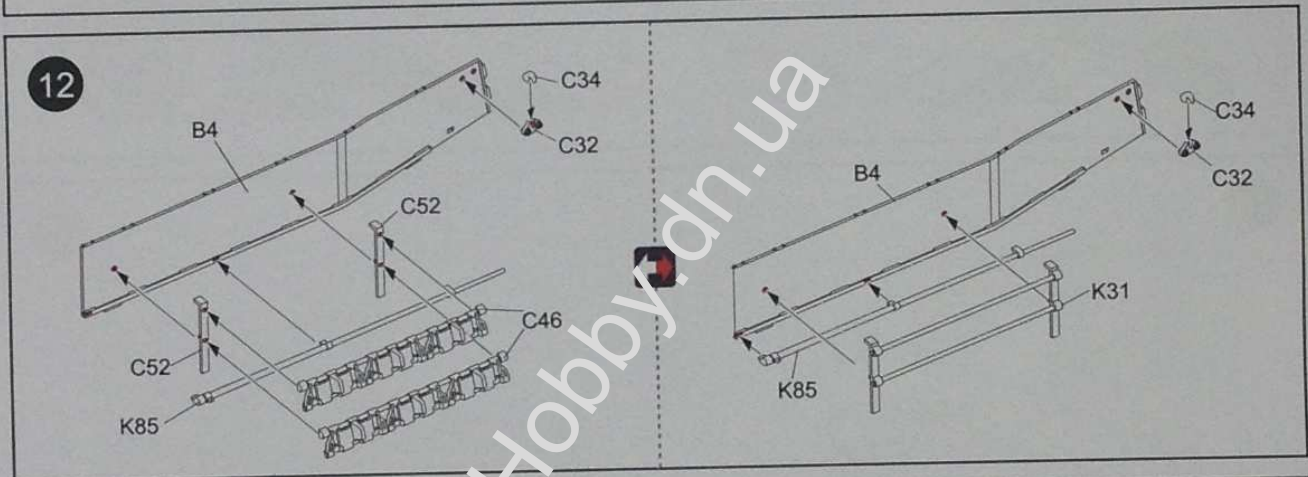
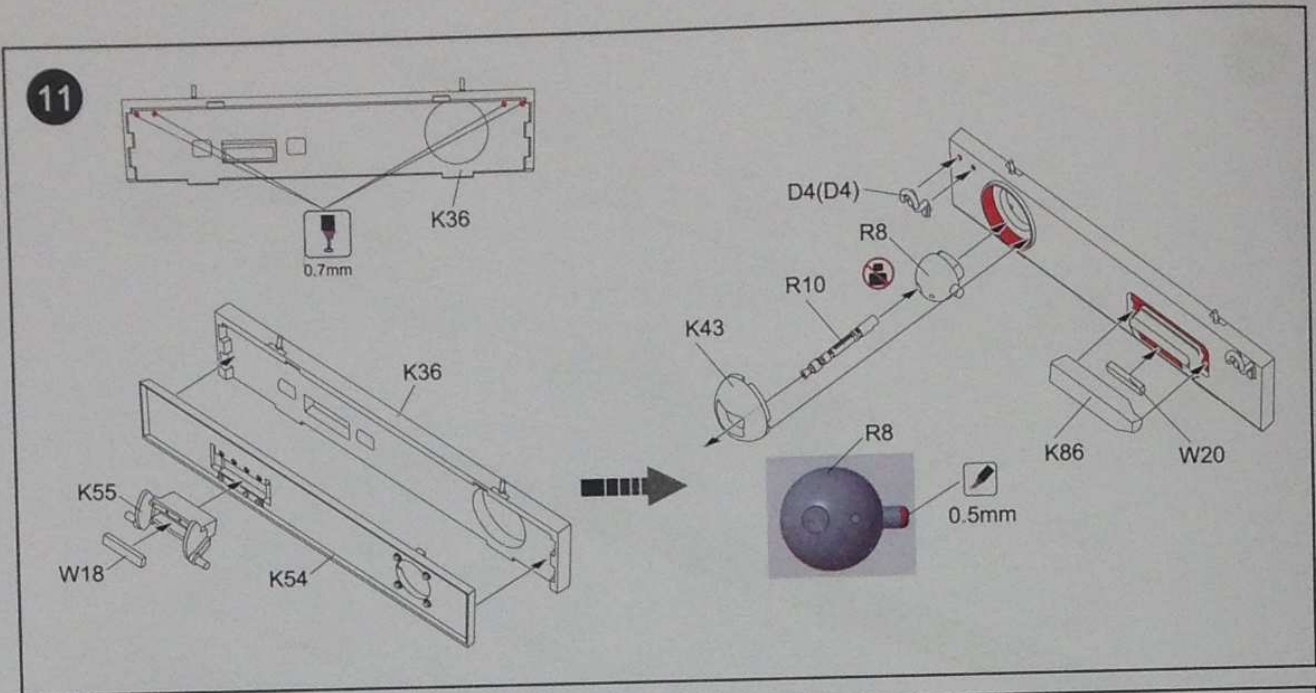


9

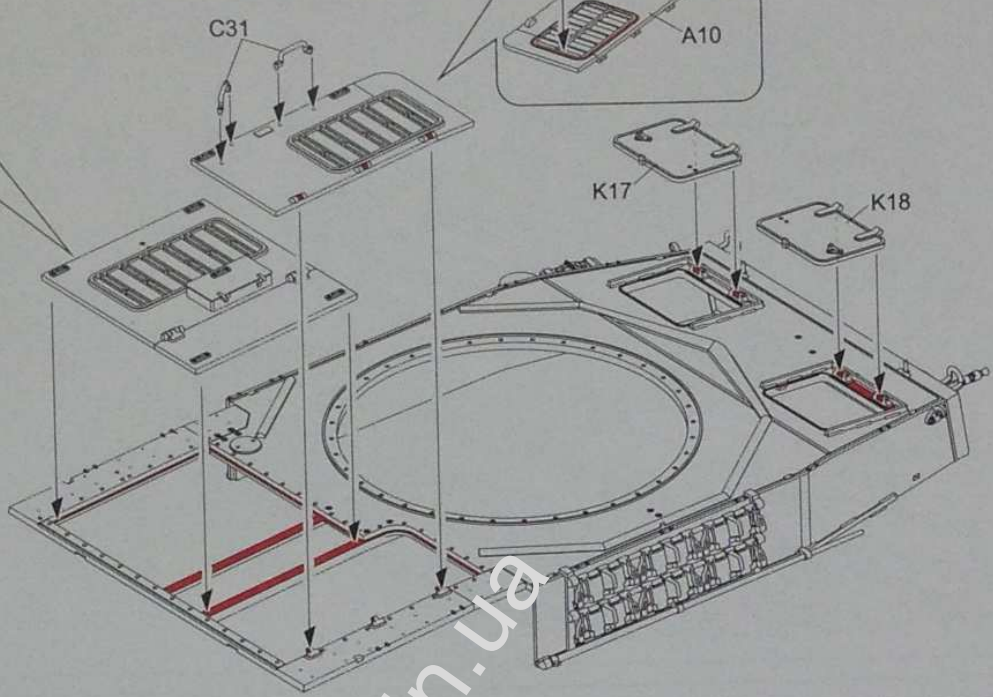
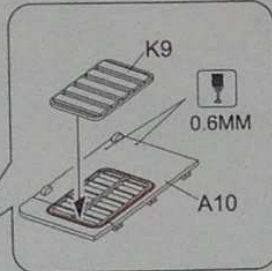
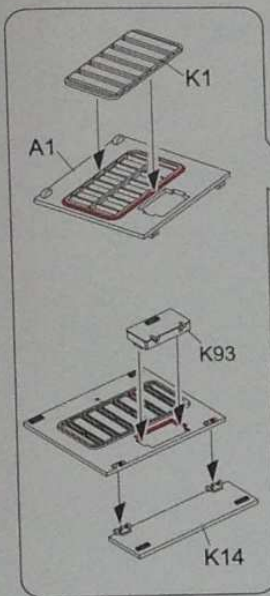


10

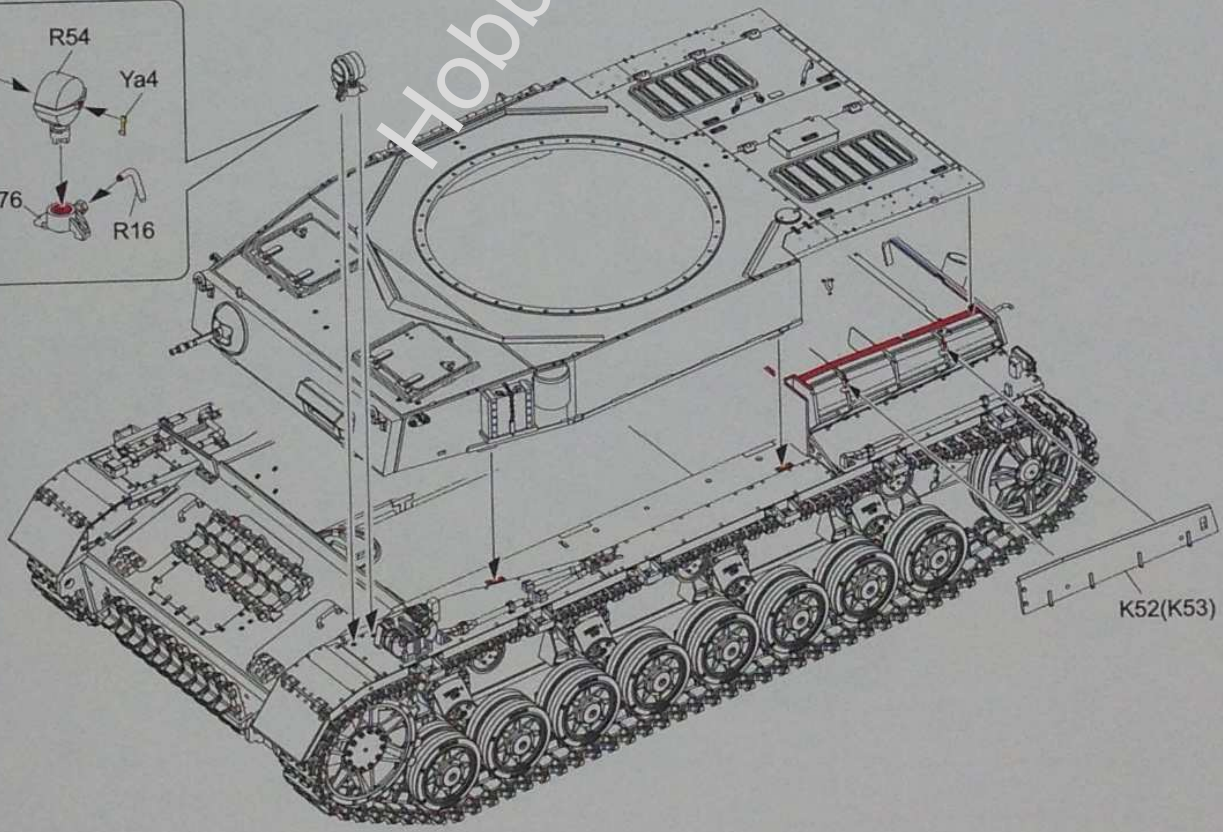
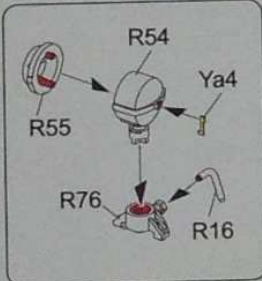




14



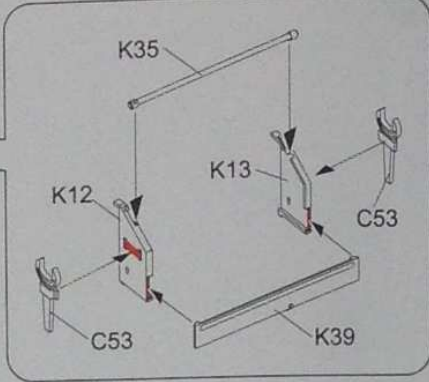
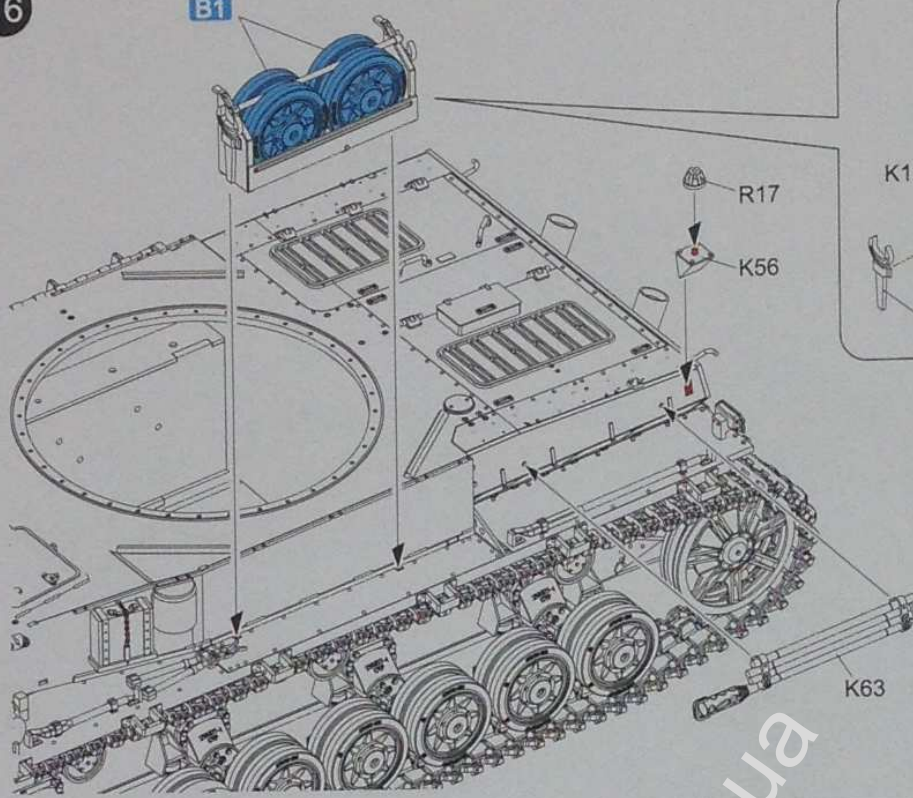
15



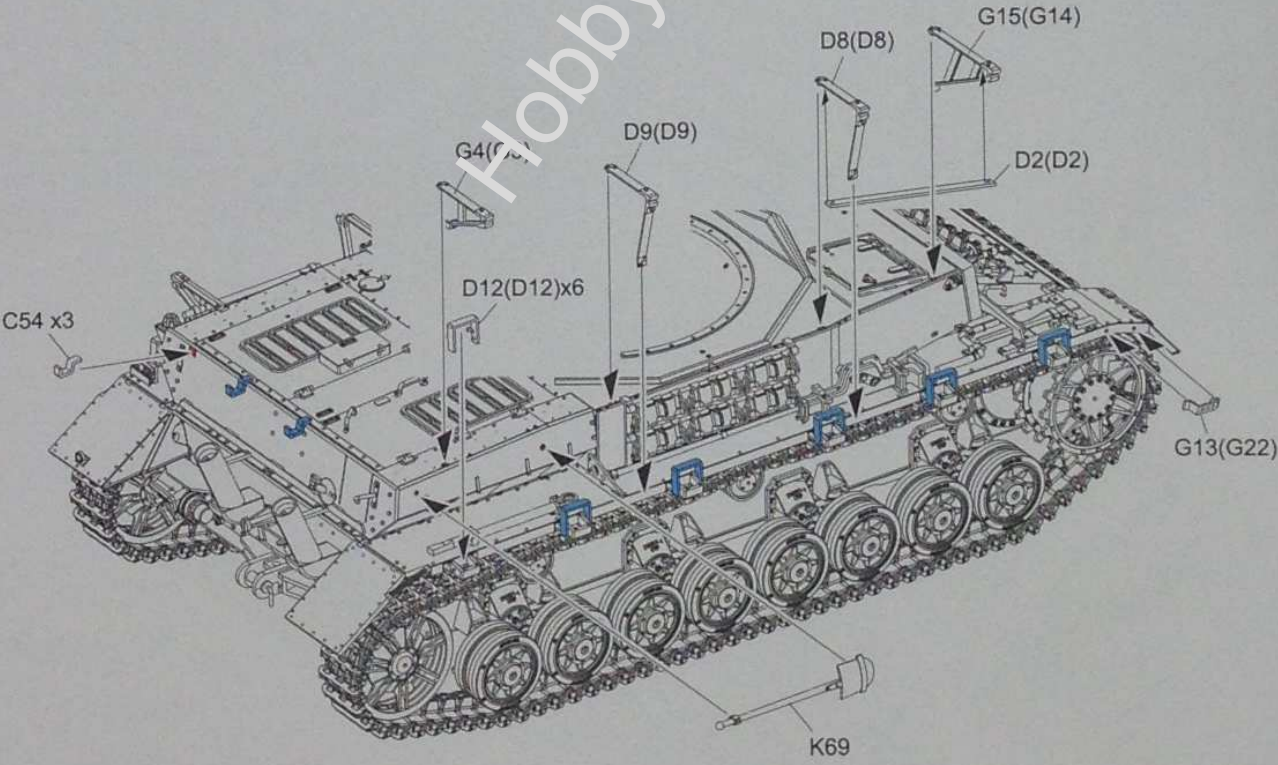
Hobby.dn.ua

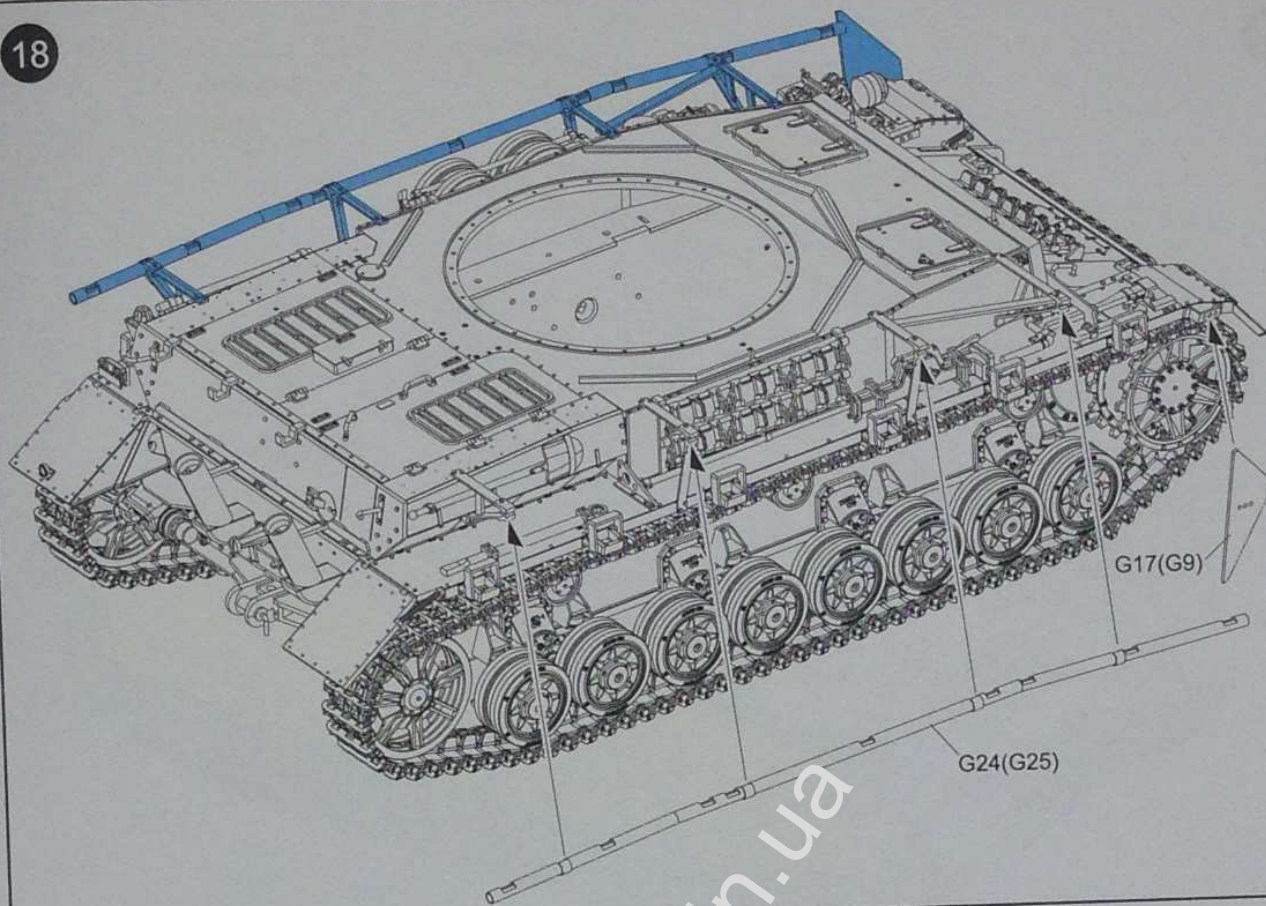
16

B1

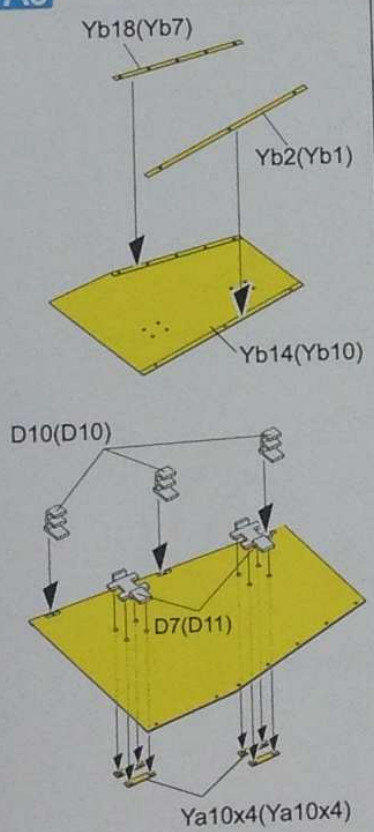


17

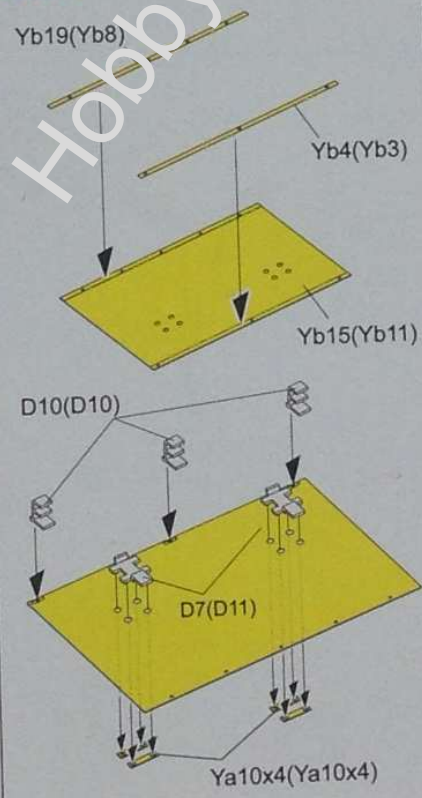




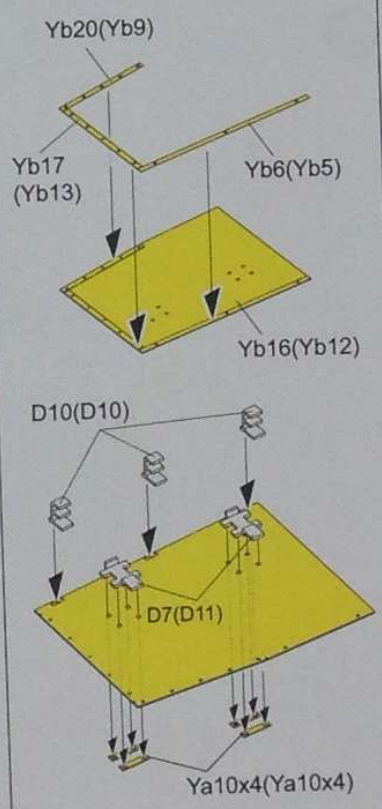
A9



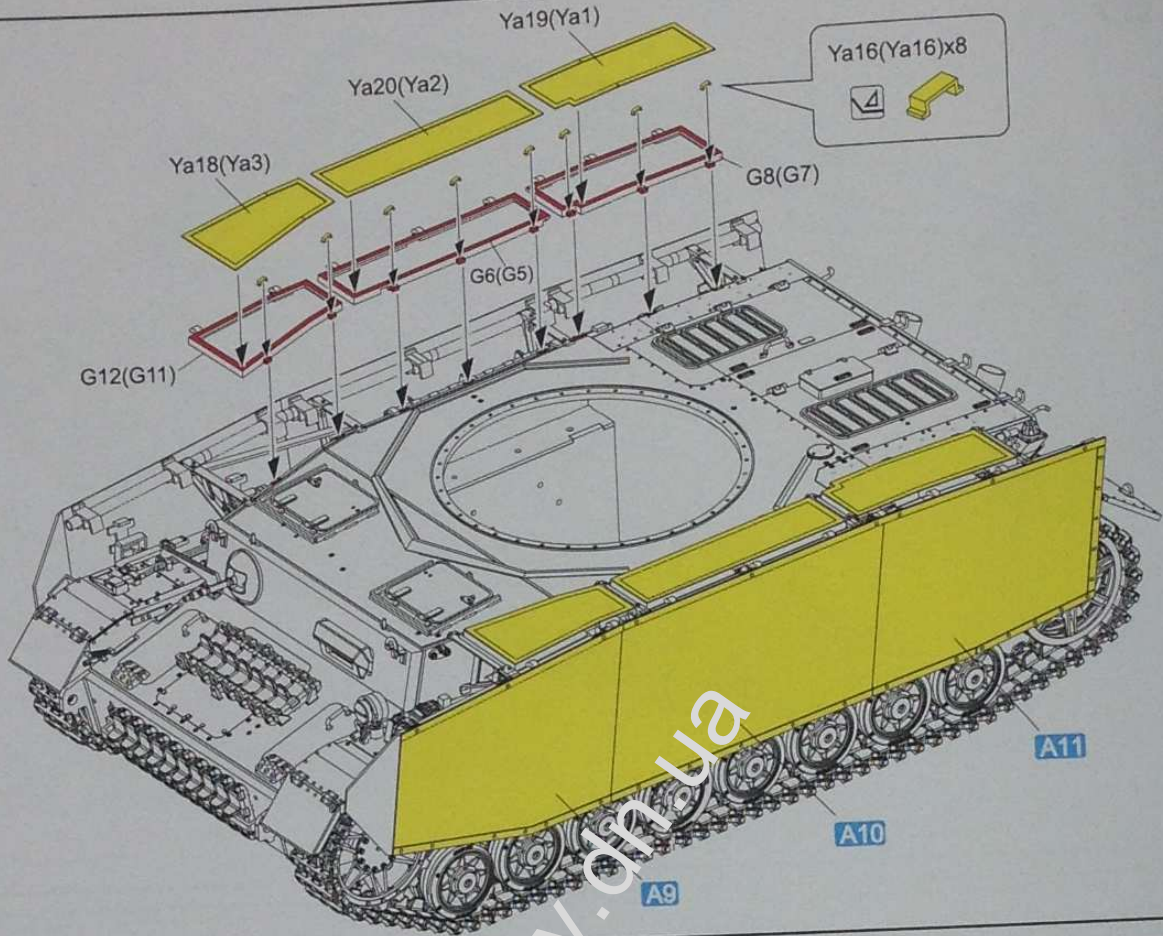
A10



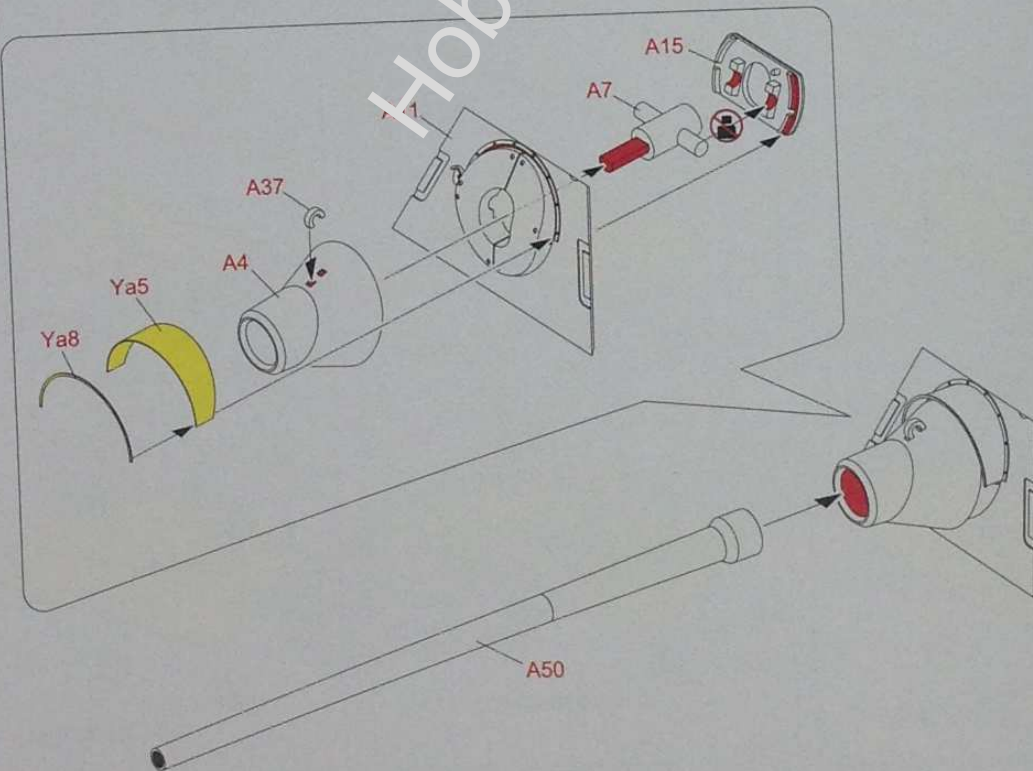
A11



19



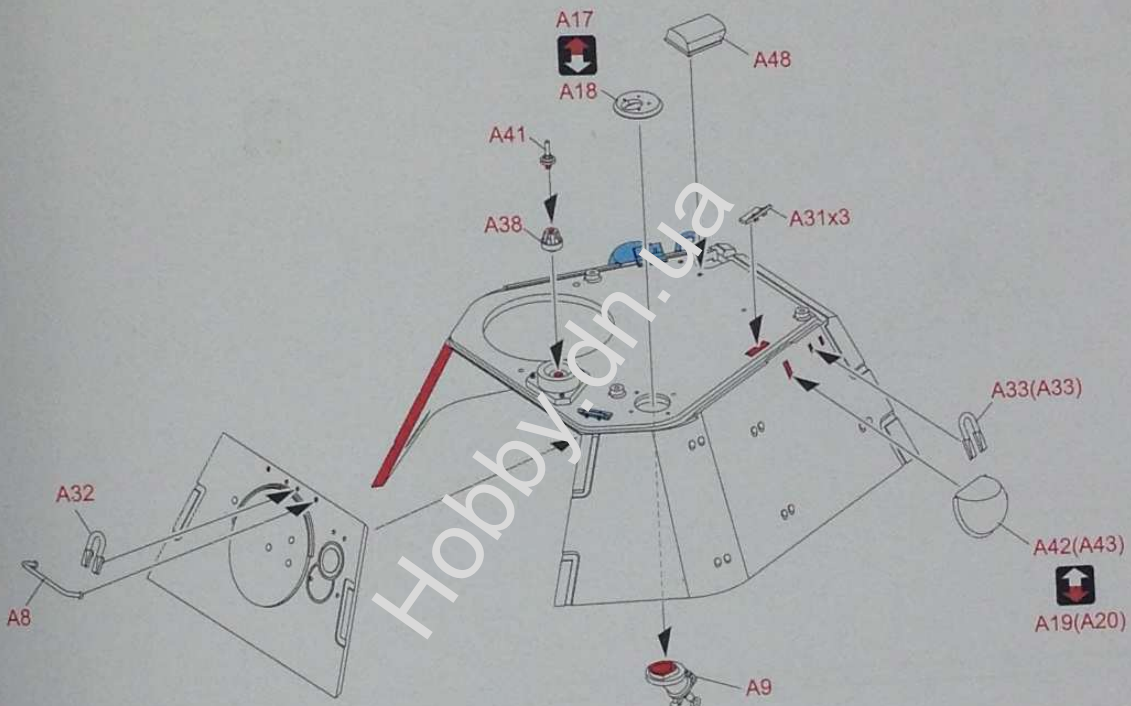
20



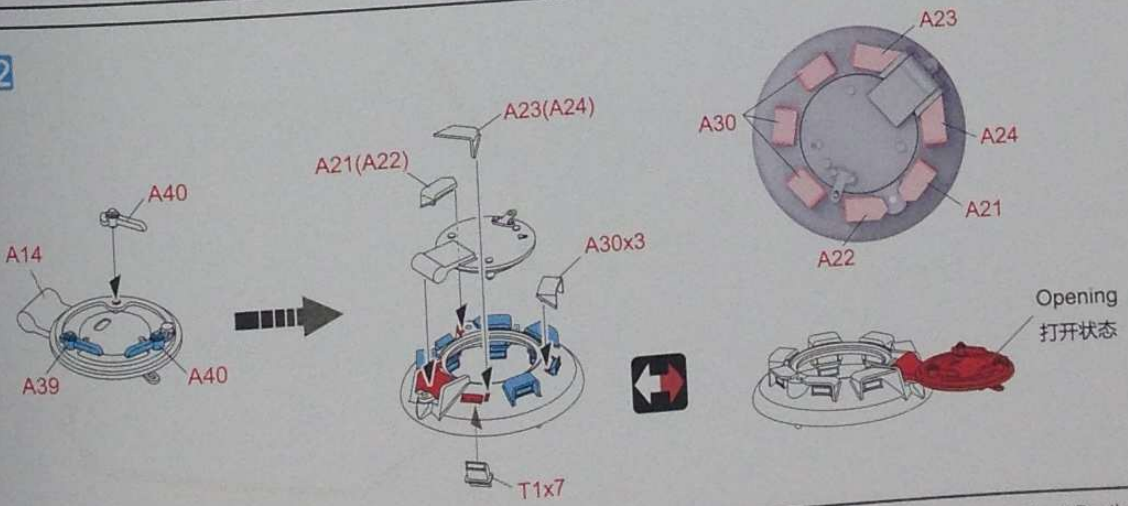
21

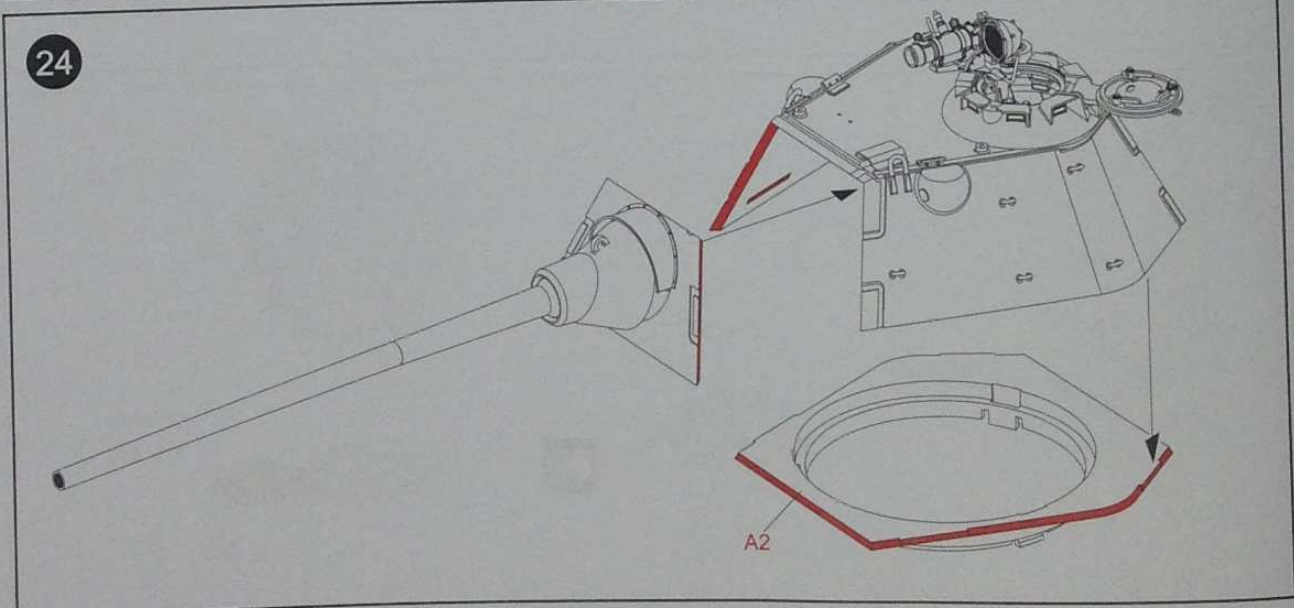
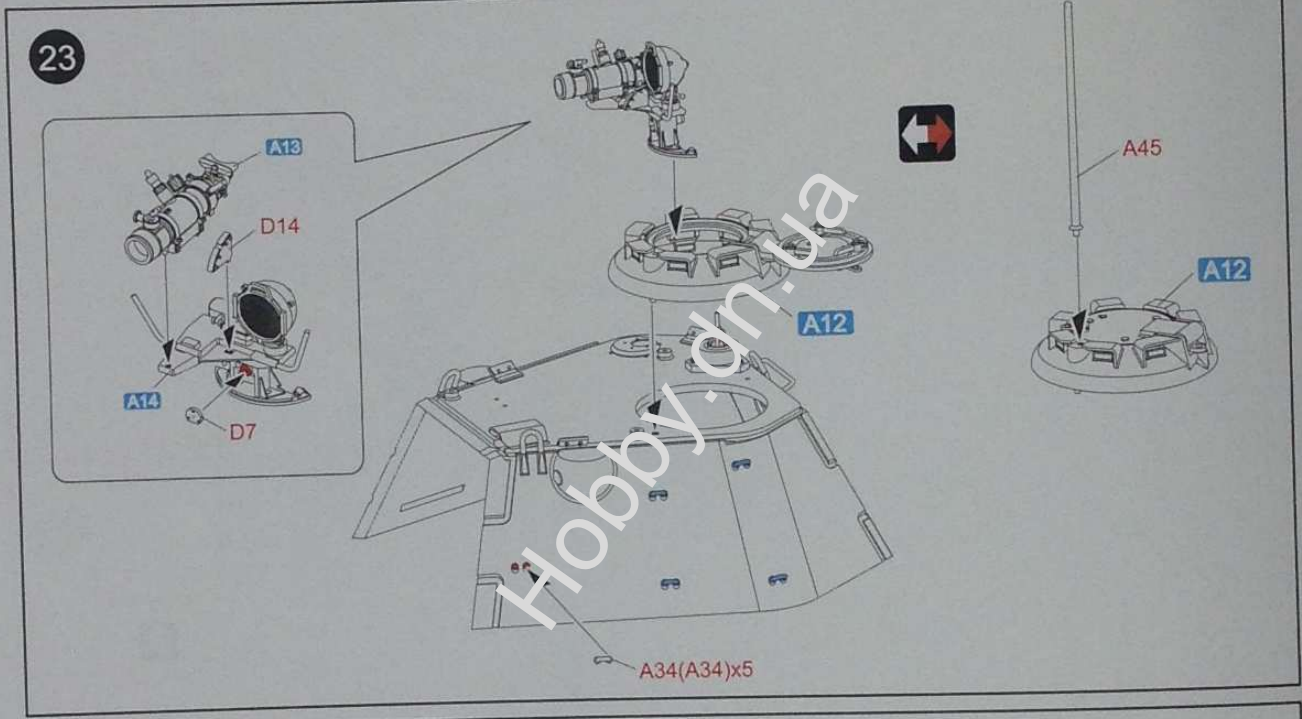
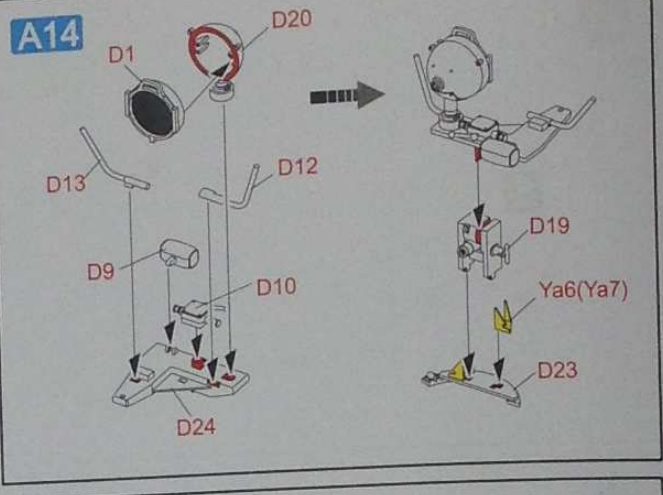
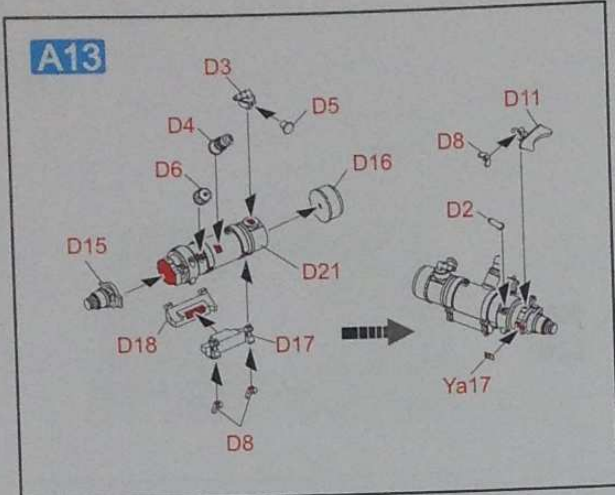


22

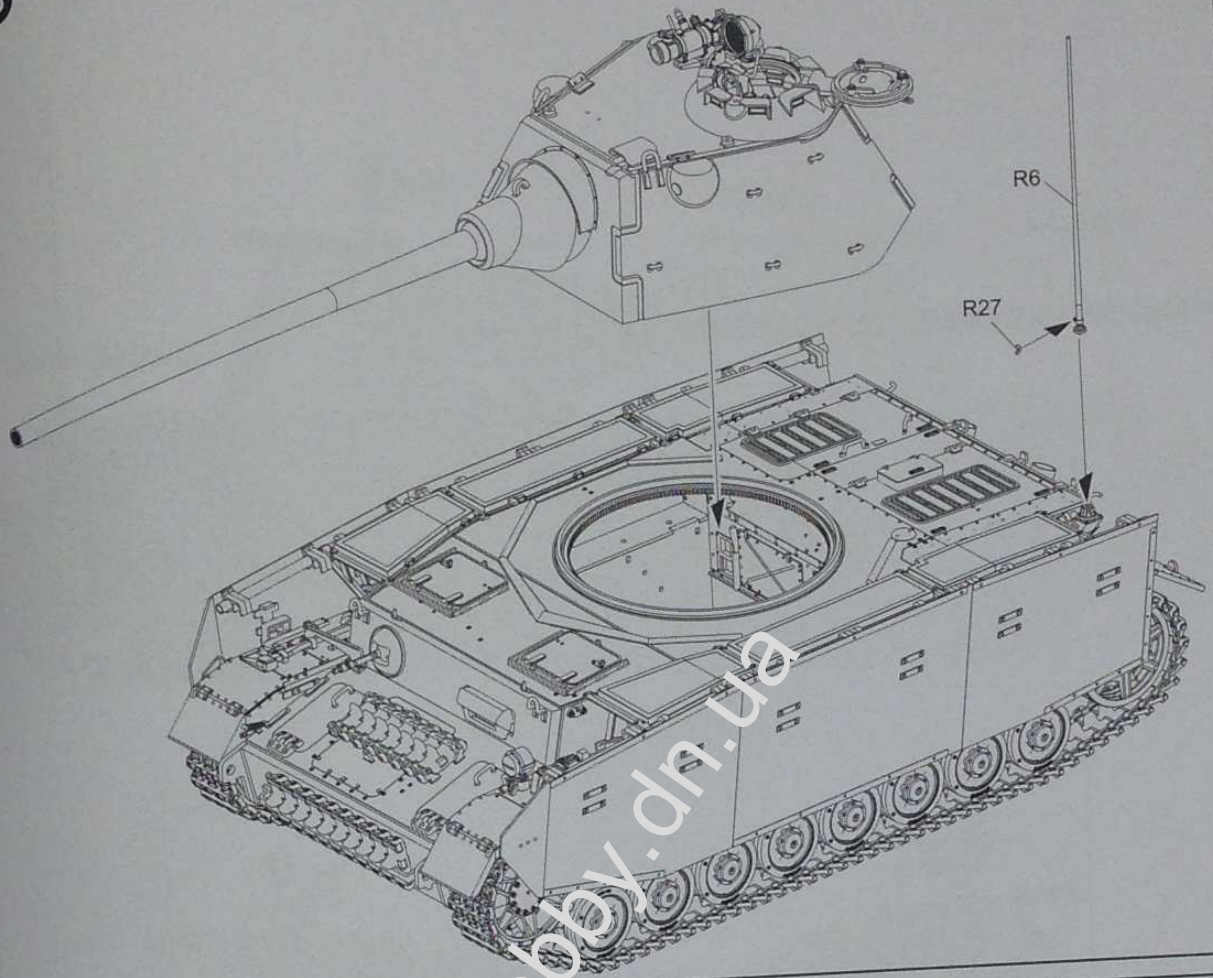


A12





25



Hobby-dn.ua

