



T-55AMD

Drozd Active Protection System

T-55AMD 装备德罗兹德主动防御系统

ASSEMBLY ICONS



OPTIONAL
选择



CEMENT
膠水



DO NOT CEMENT
不使用膠水



INSTANT CEMENT
瞬間接著劑



BEND
彎折



MAKE 2
製作2組



OPEN HOLE
鑽孔



REMOVE
切除



BE CAREFUL
注意



APPLY DECAL
貼上水貼紙

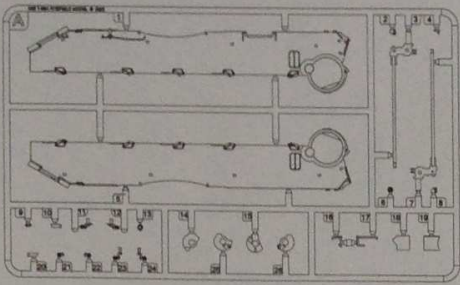
CAUTION!

Read carefully and fully understand the instructions before commencing assembly. Supervising adult should also read the instructions if a child assembles the model. When you used glue or paint, do not use near a naked flame, and use in a well-ventilated room. When assembling this kit, tools including knives are used. Extra care should be taken to avoid personal injury. Read and follow the instructions supplied with paints and/ or cement. Use plastic cement and paints only. Keep out of reach of small children. Children must not be allowed to suck any part, or pull vinyl bag over the head.

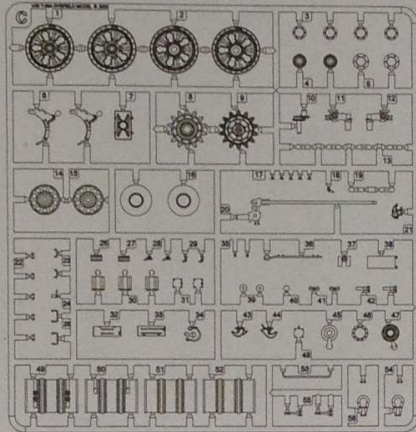
在裝配前仔細閱讀說明並完全理解。小孩裝配時需成人看護且需仔細閱讀說明。
使用膠水和油漆時，應遠離火源並打開窗戶保持空氣流通。
製作時請格外注意工具刀和零件的鋒利尖銳部分，避免對身體造成傷害。
在使用膠水和油漆前仔細閱讀注意事項，按照說明正確使用膠水和油漆。
請將本品放在兒童接觸不到的地方，套件中的塑膠包裝袋會對兒童造成窒息的危險。

PARTS 部品图

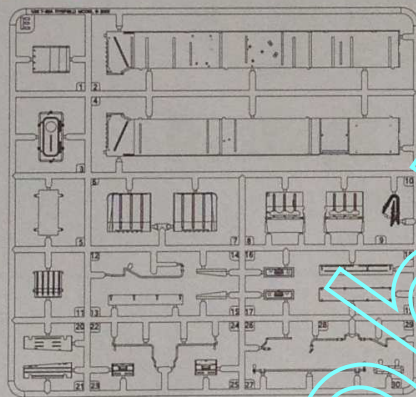
A x 1



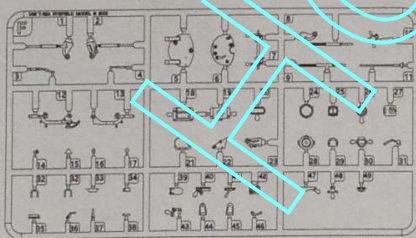
C x 2



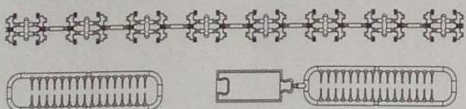
E x 1



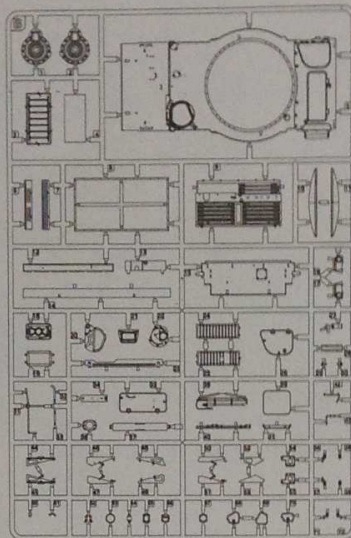
F x 1



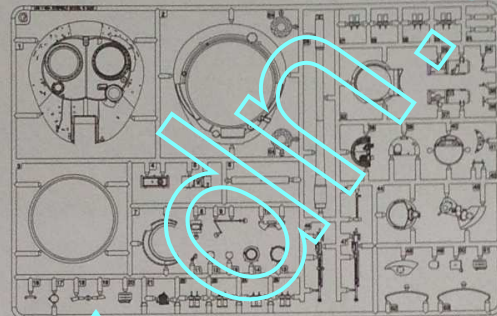
Track Links X13



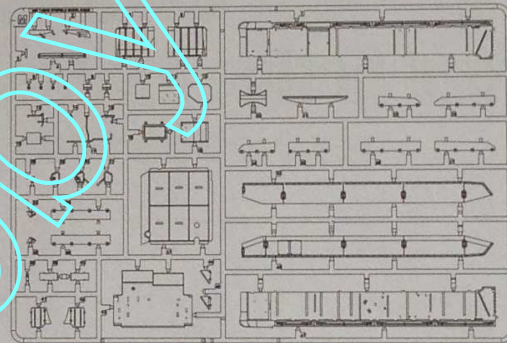
B x 1



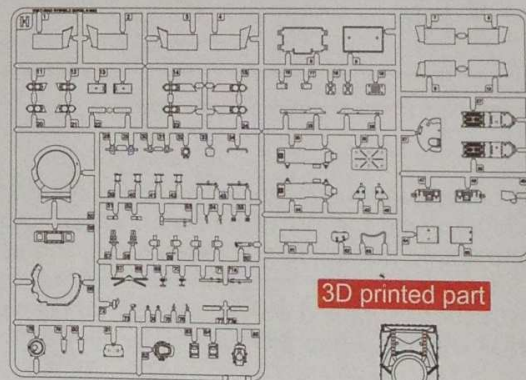
G x 1



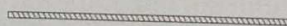
M x 1



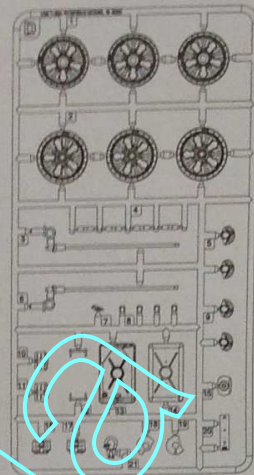
H x 1



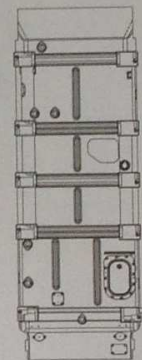
Cable 220mm



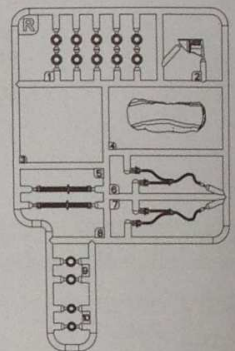
D x 3



UPPER HULL



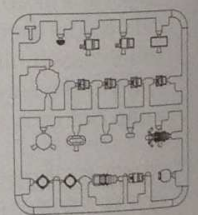
R x 1



P x 1



T x 1



Metal Cable 73mm

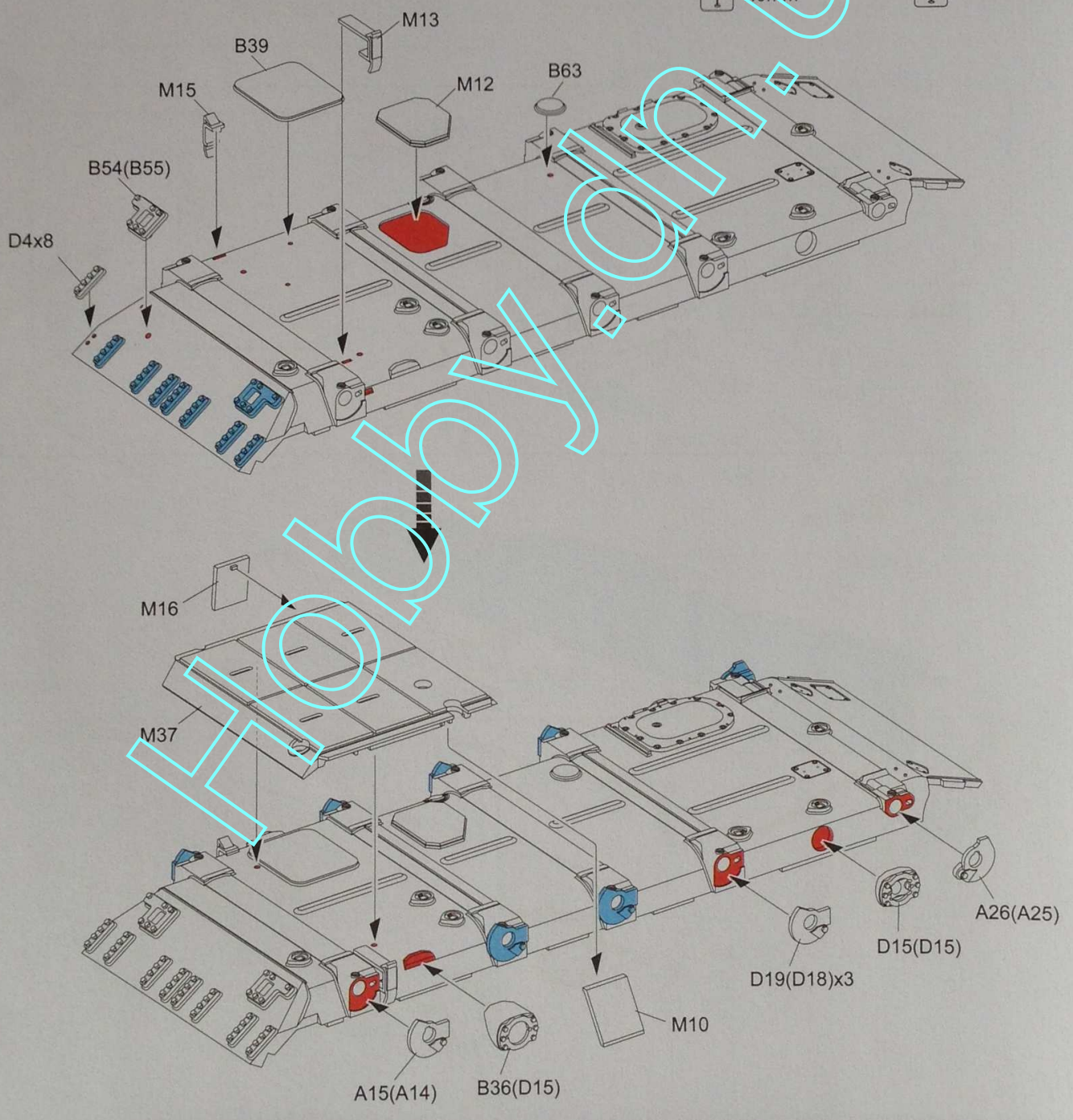
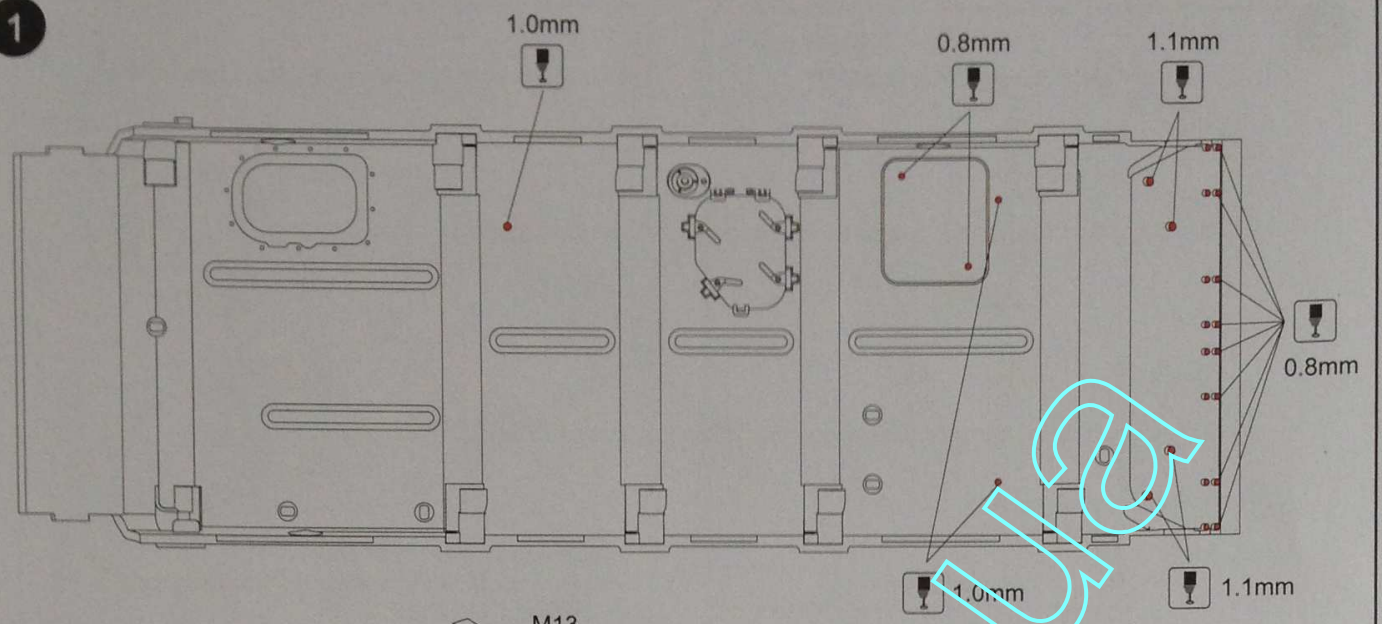
3D printed part



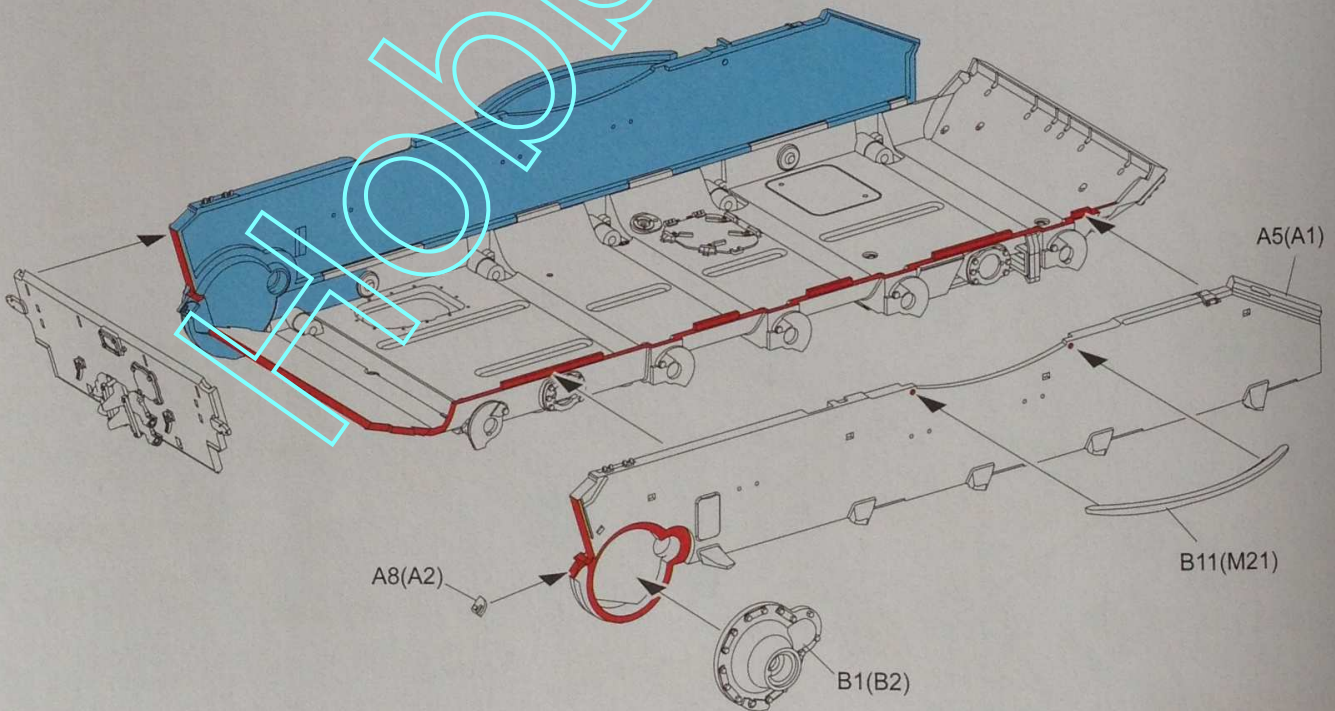
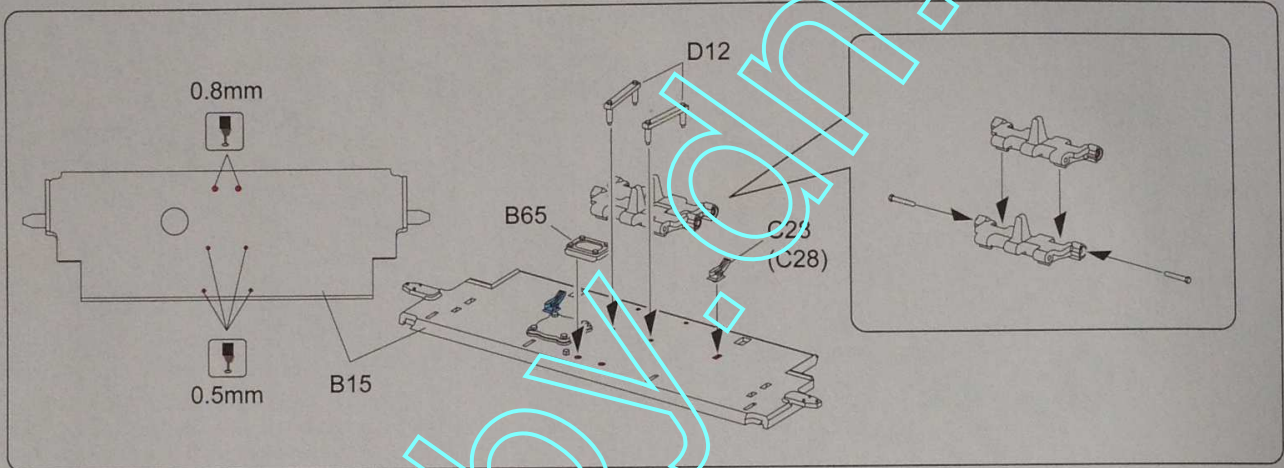
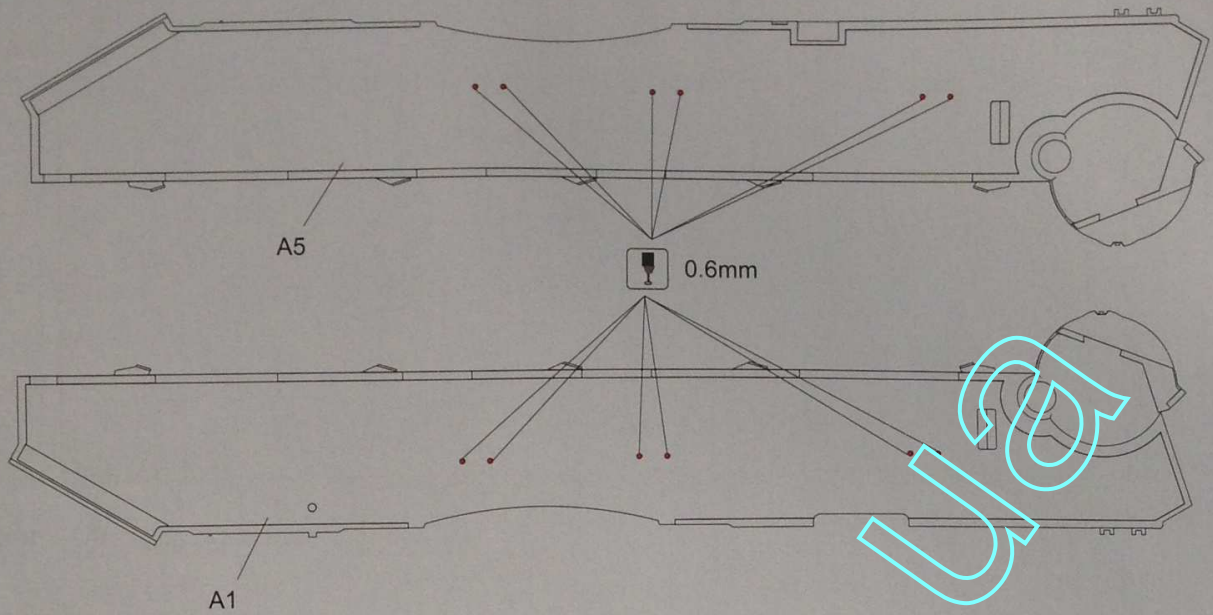
Decal

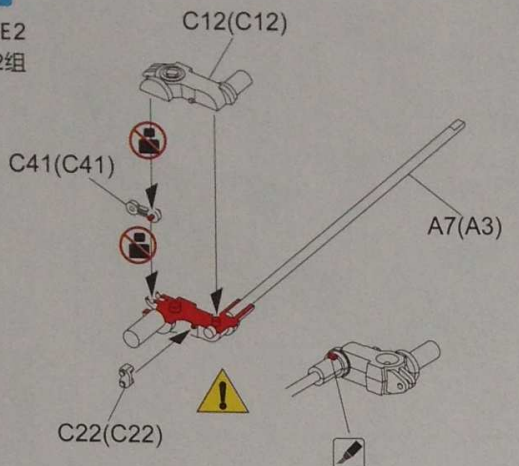
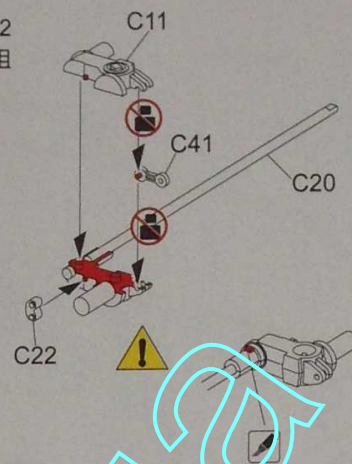
0123456789
0123456789

1

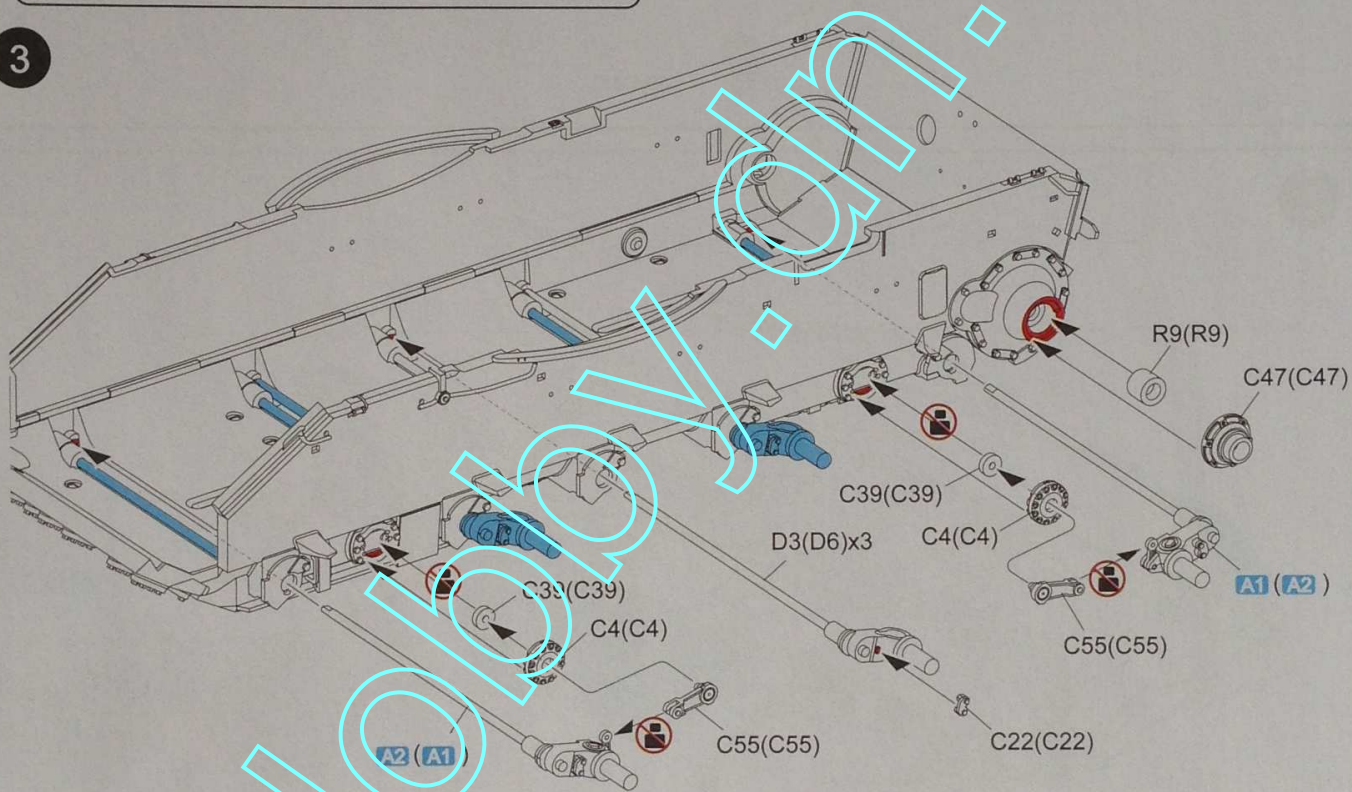
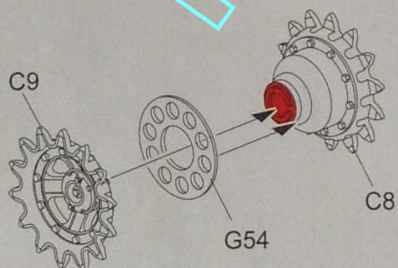
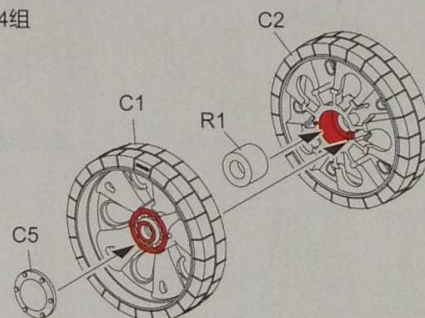


2

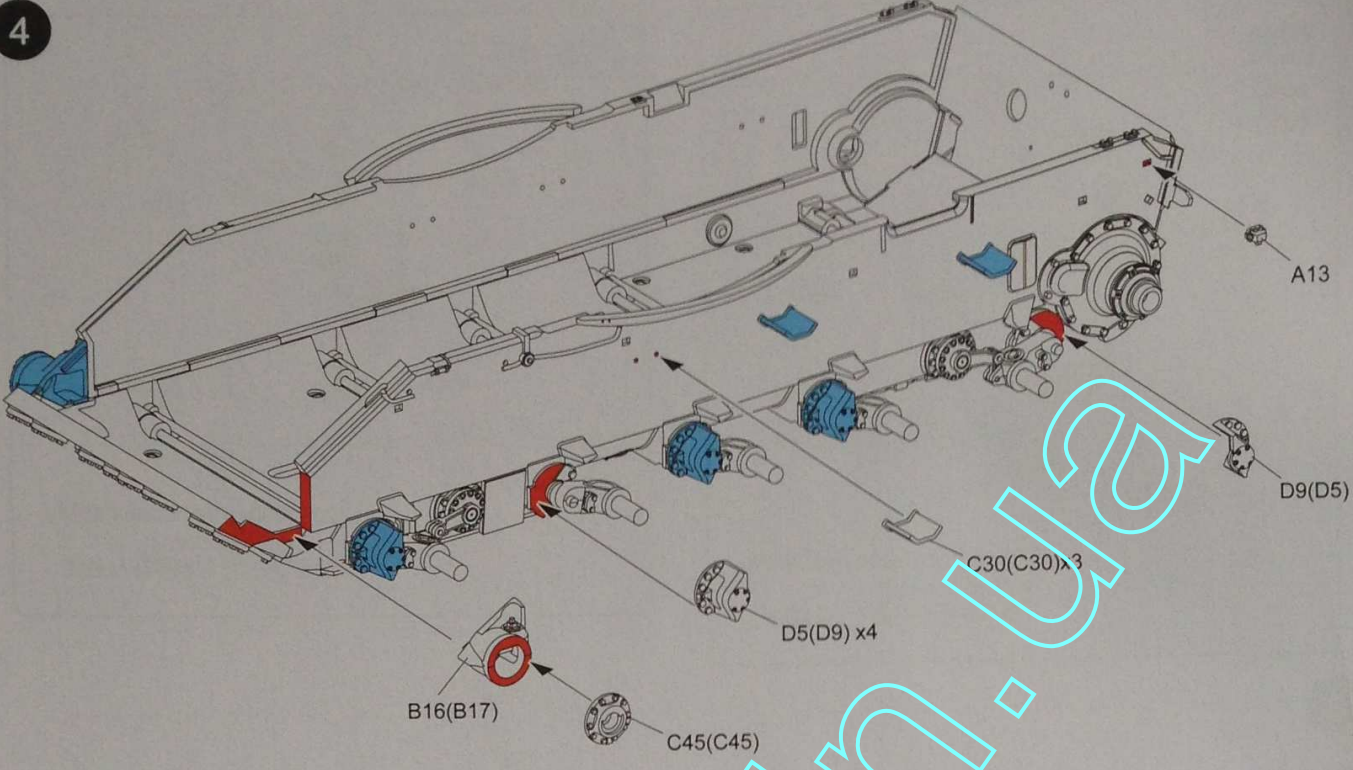


A1MAKE2
制作2组Cut off in order to assembly
workable status
切除红色部分可制作活动悬挂**A2**MAKE2
制作2组Cut off in order to assembly
workable status
切除红色部分可制作活动悬挂

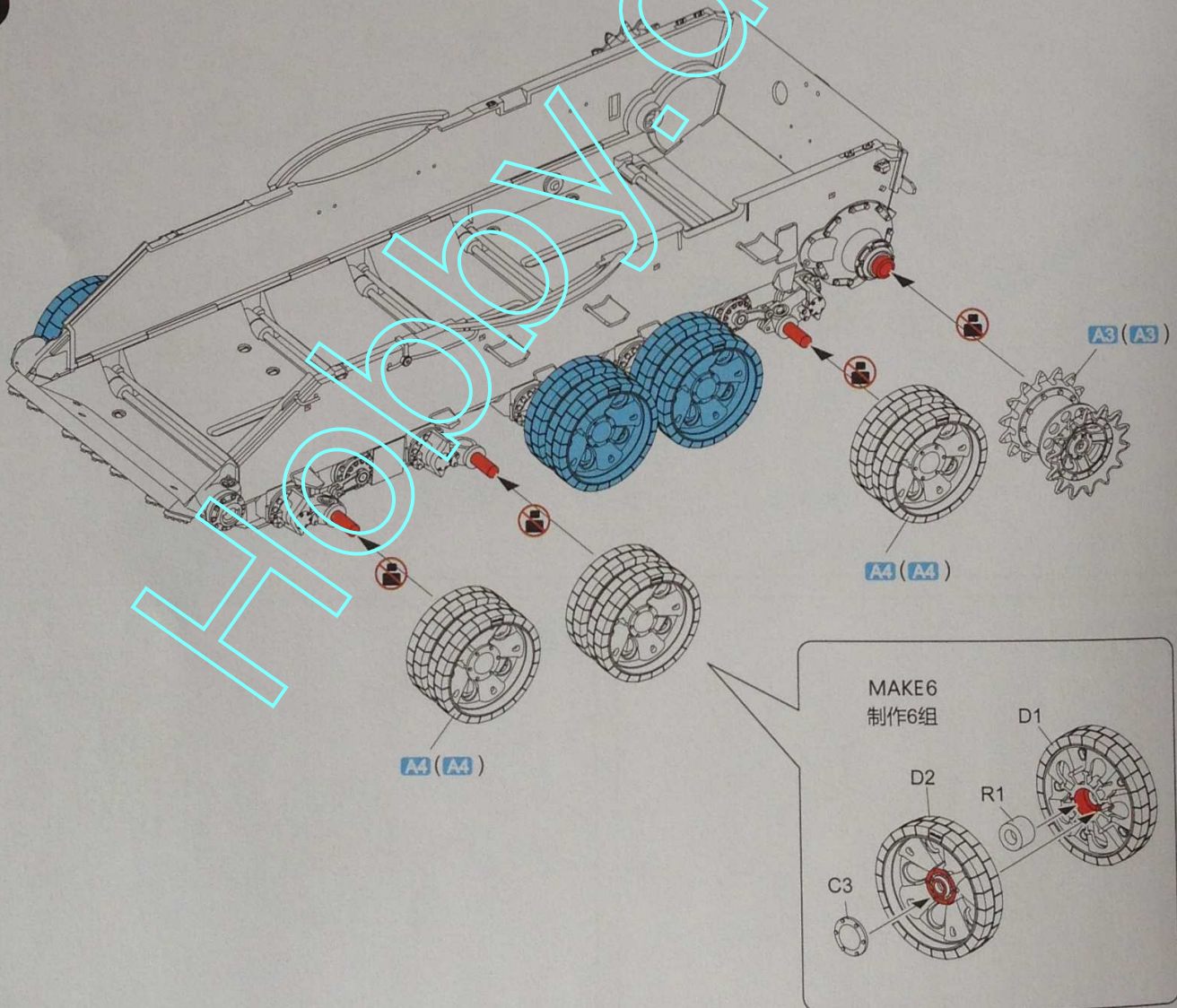
3

**A3**MAKE2
制作2组**A4**MAKE4
制作4组

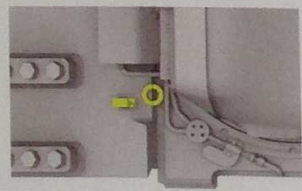
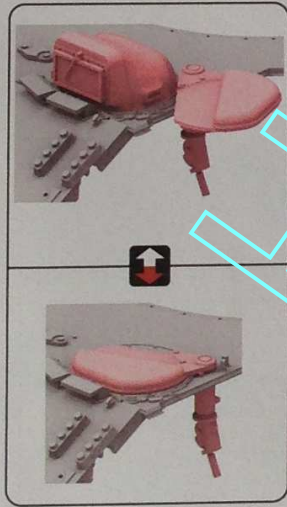
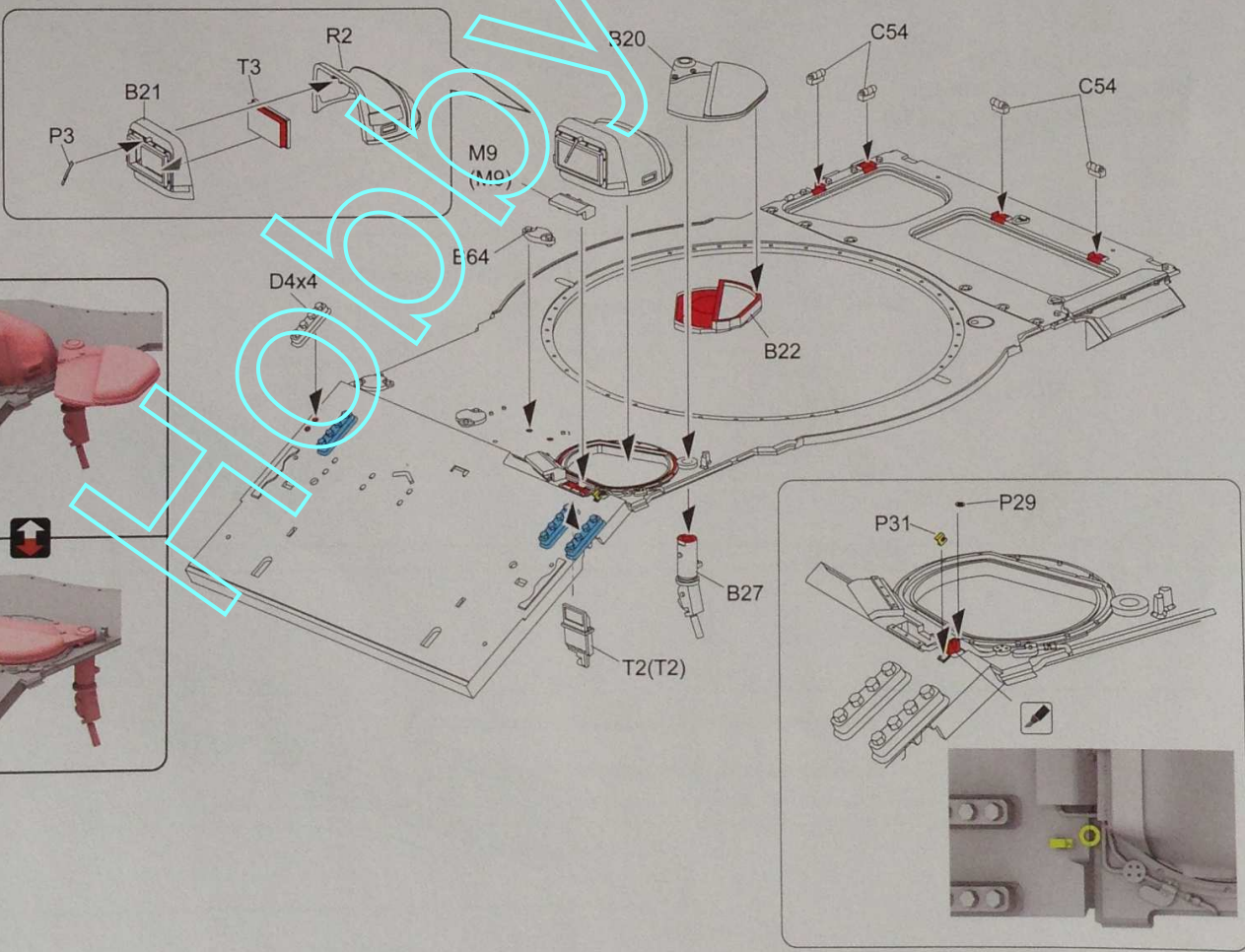
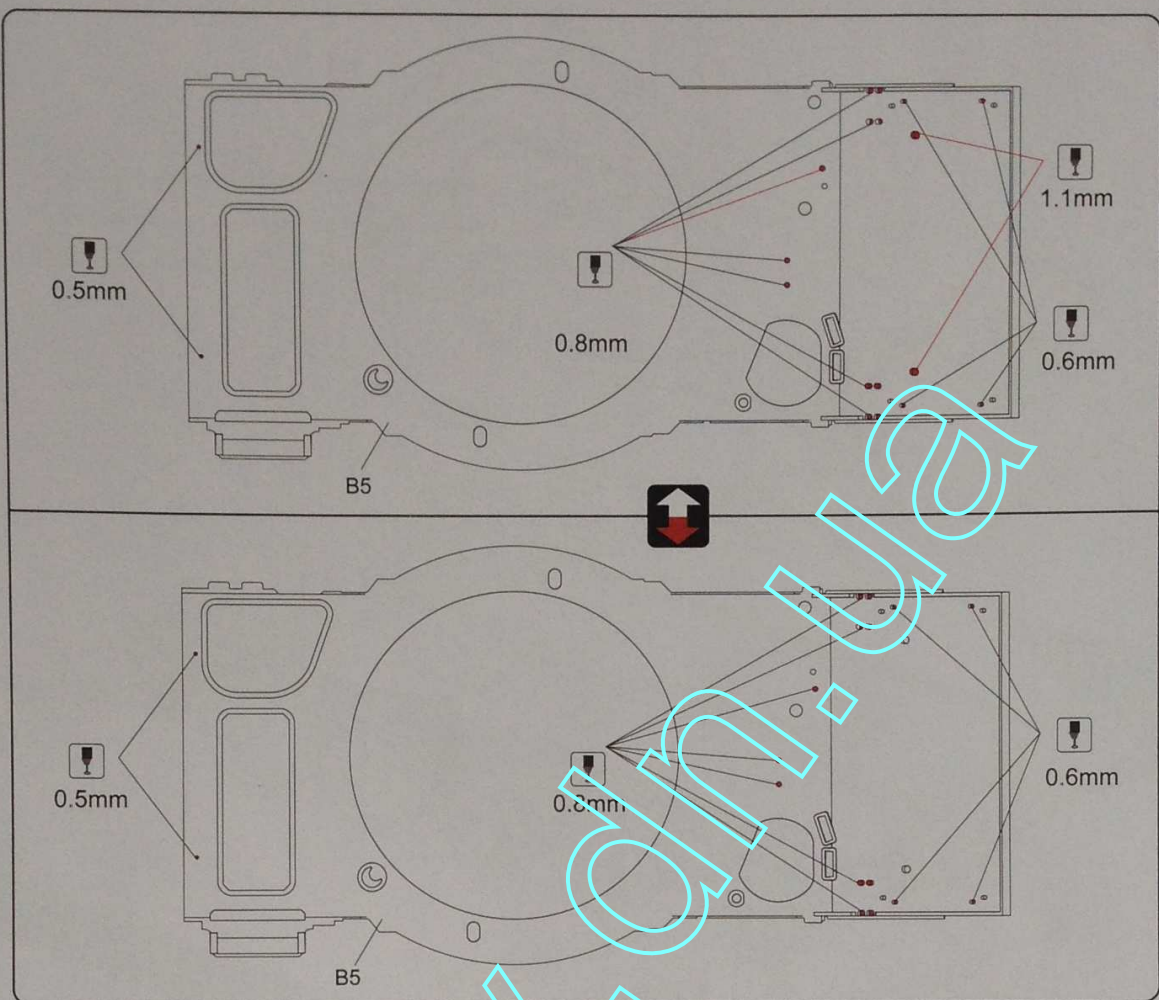
4



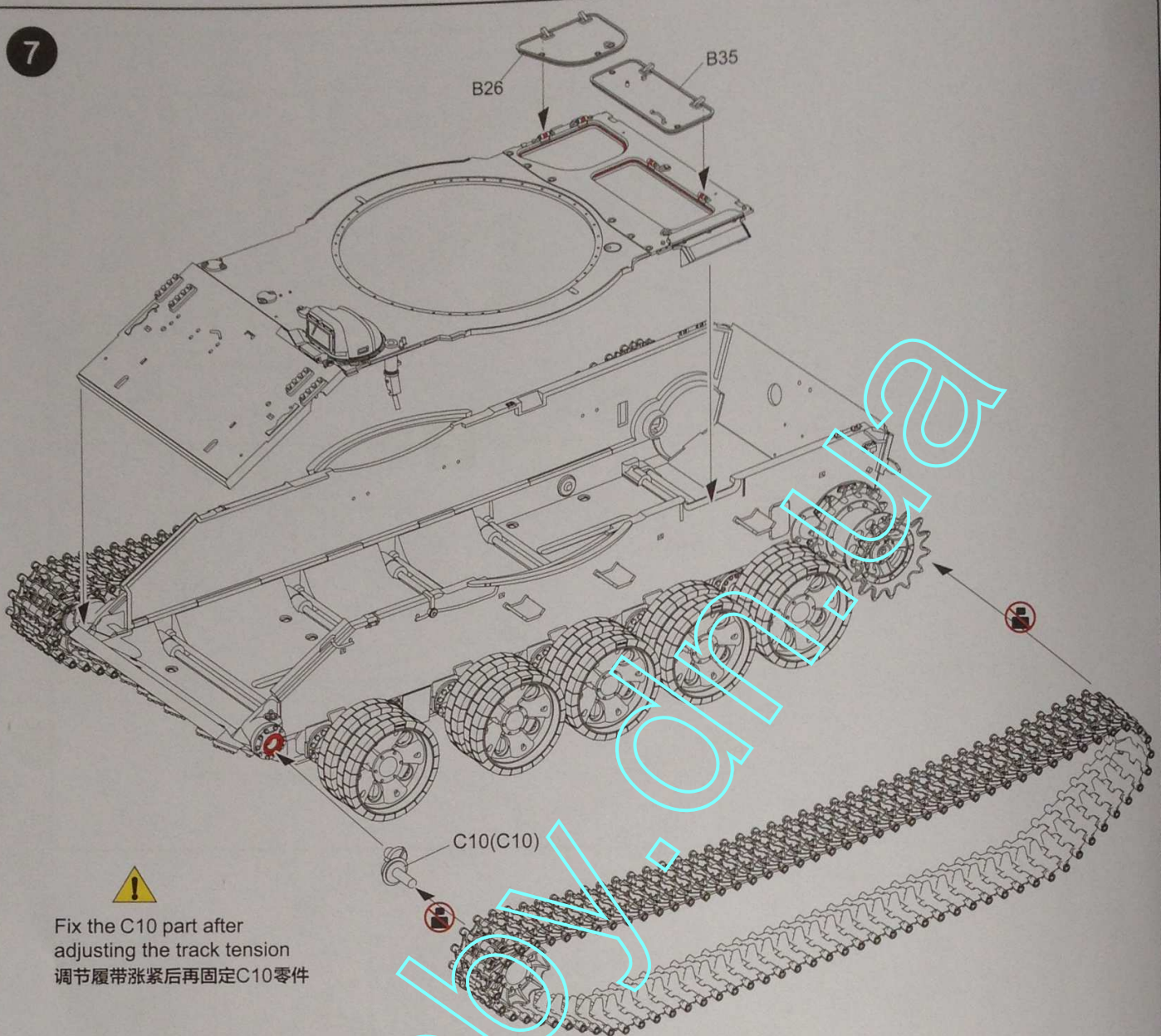
5



6

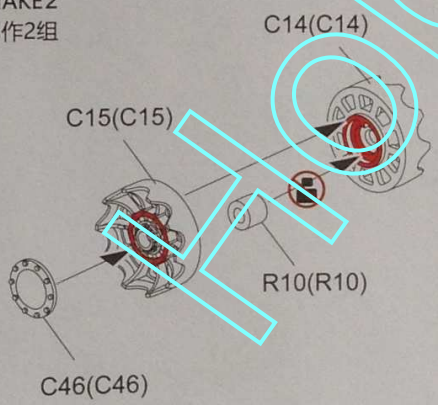


7

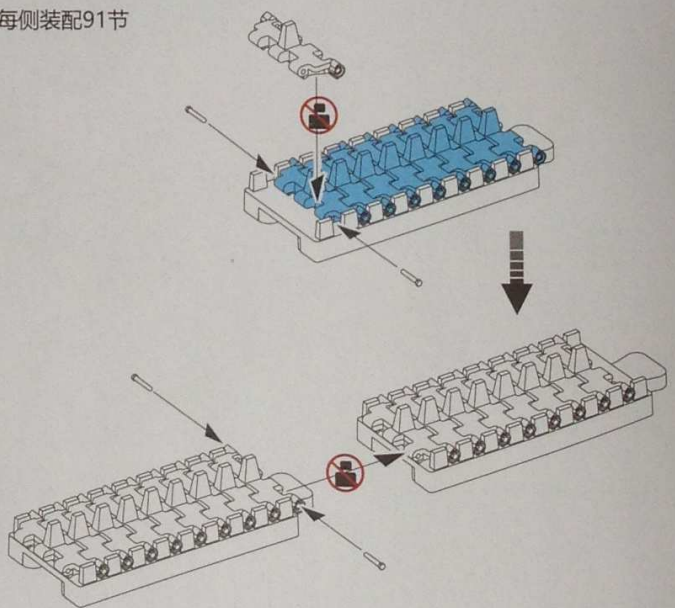


Fix the C10 part after
adjusting the track tension
调节履带涨紧后再固定C10零件

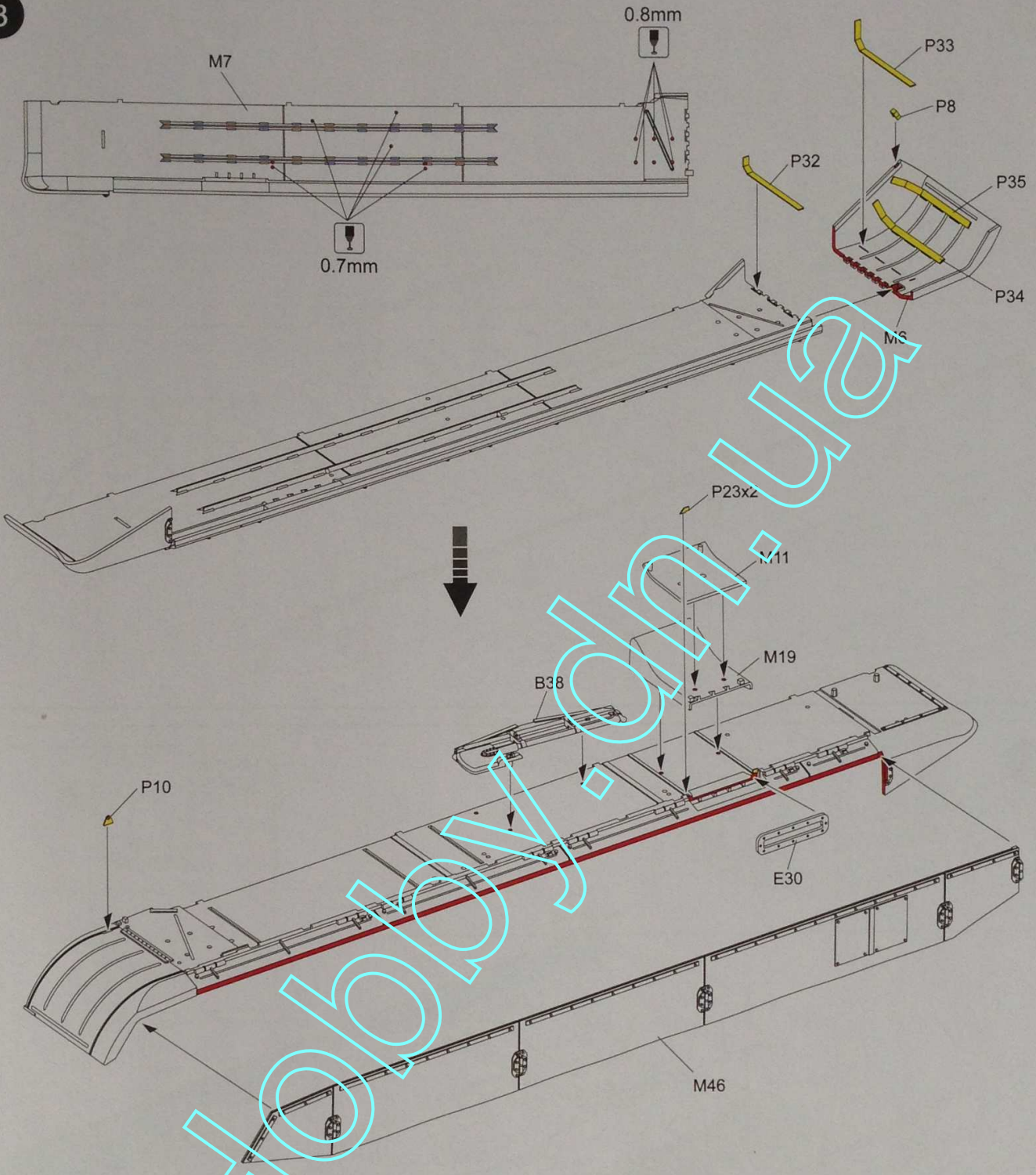
MAKE2
制作2组



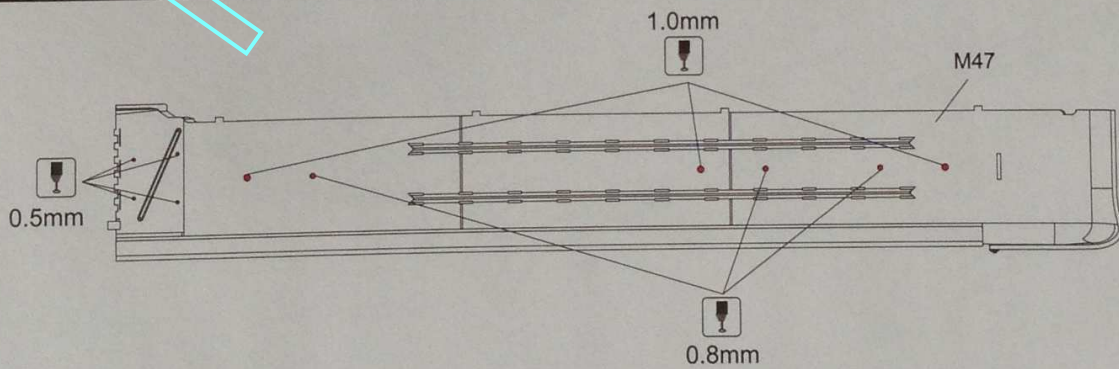
Track Links: 91 pcs for each side.
每侧装配91节



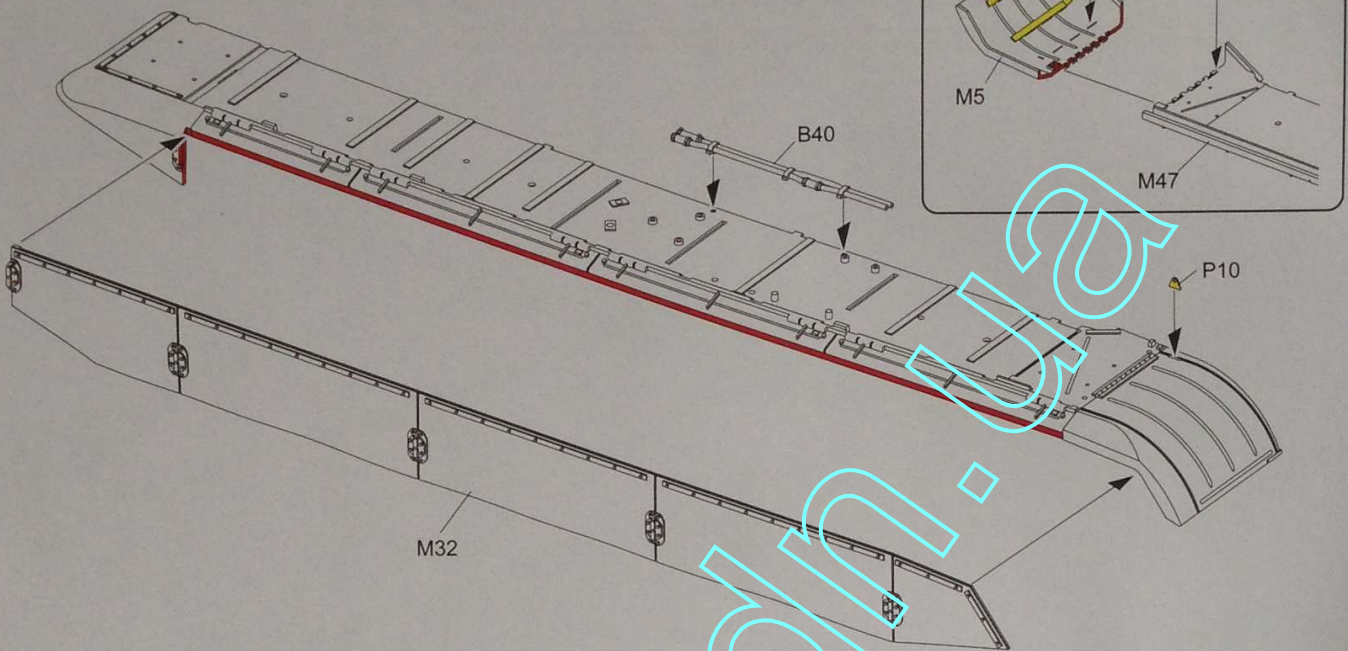
8



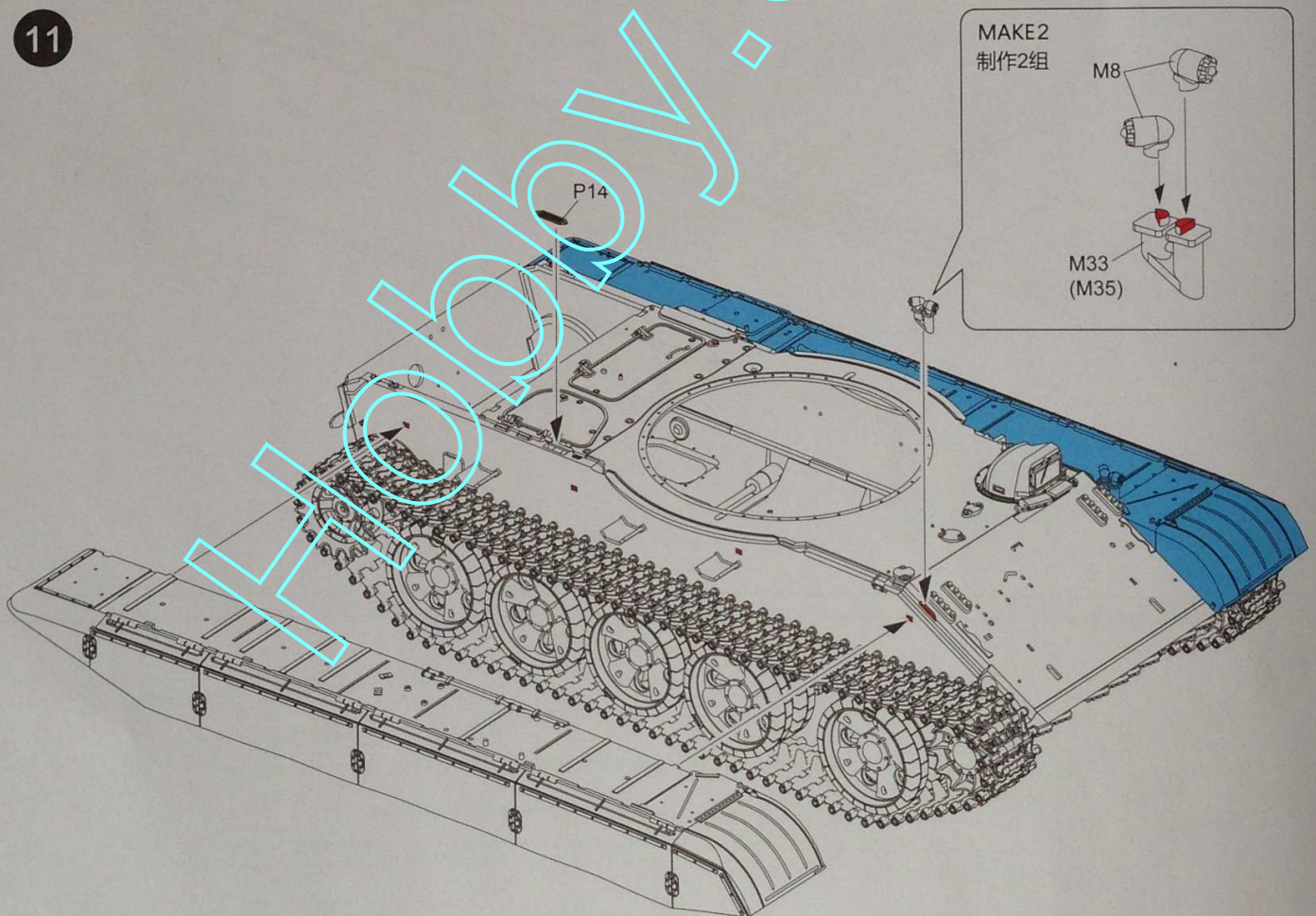
9

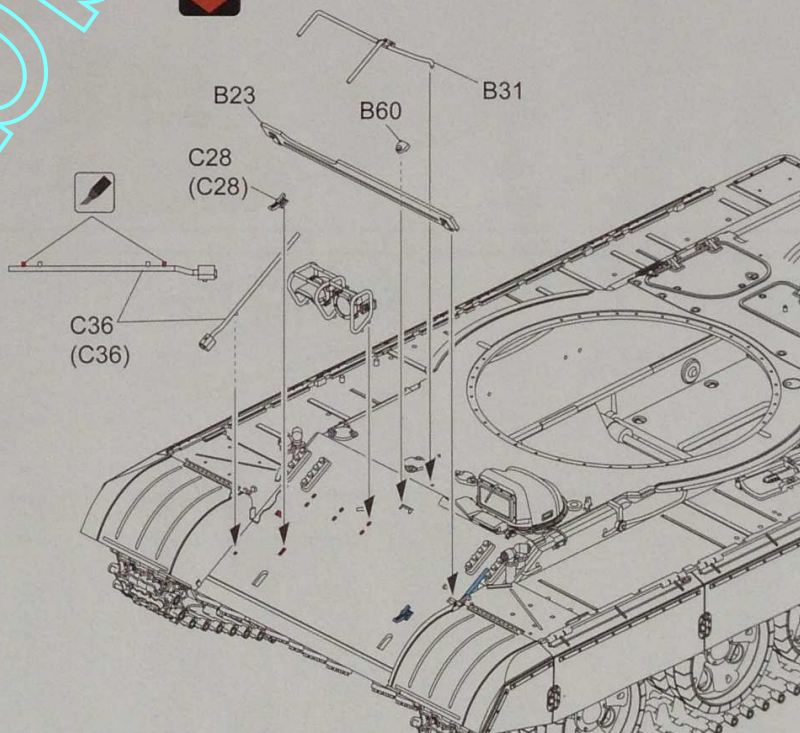
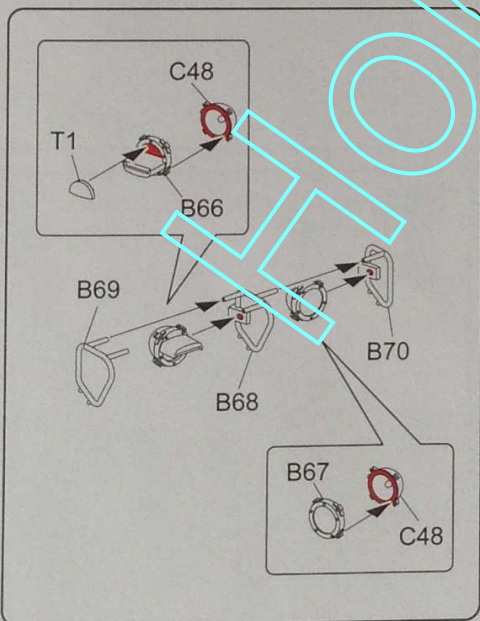
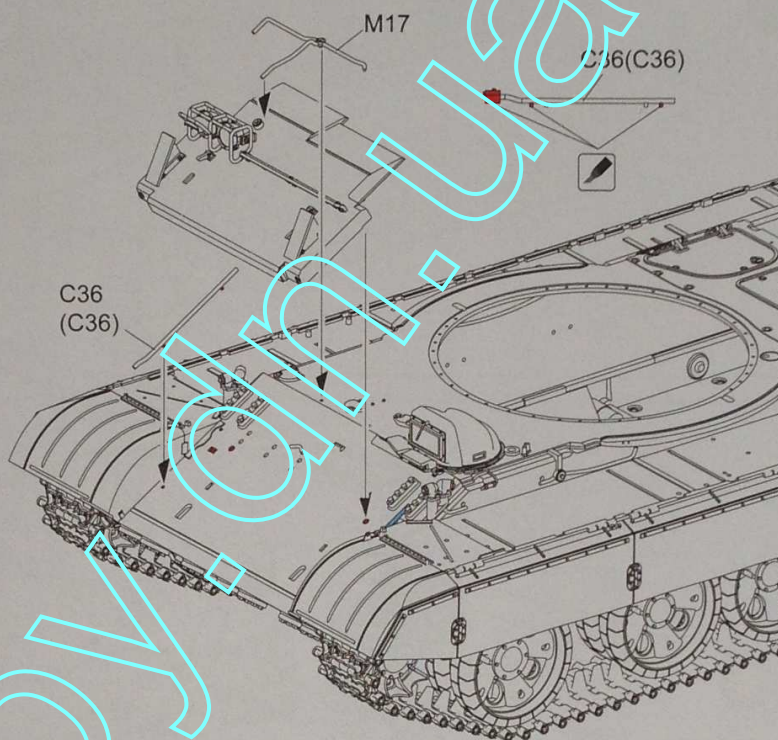
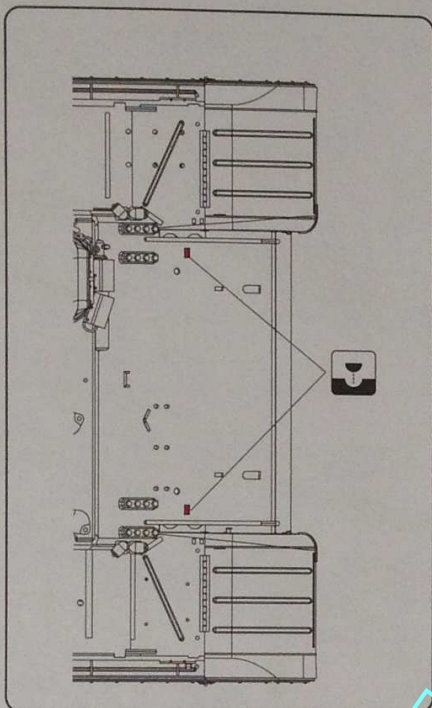
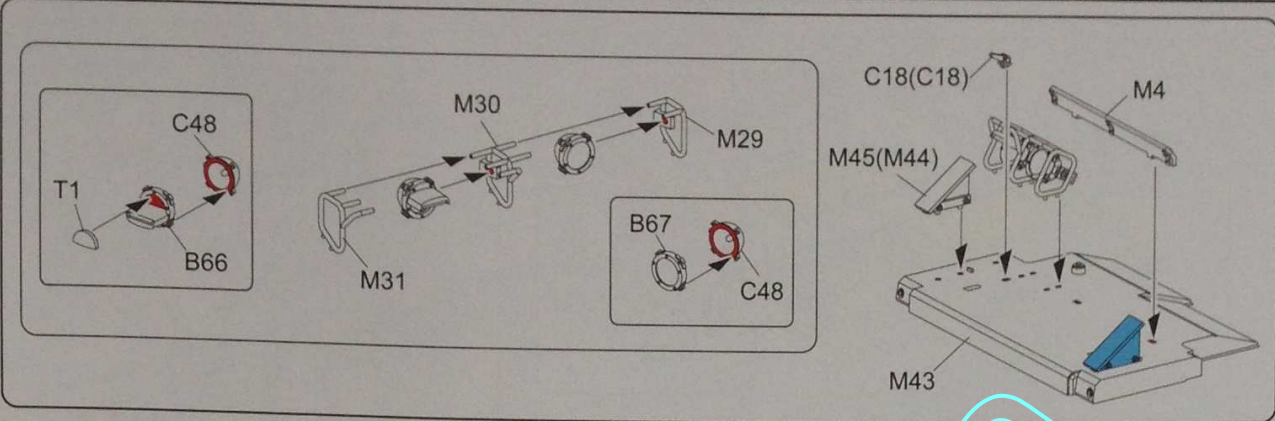


10

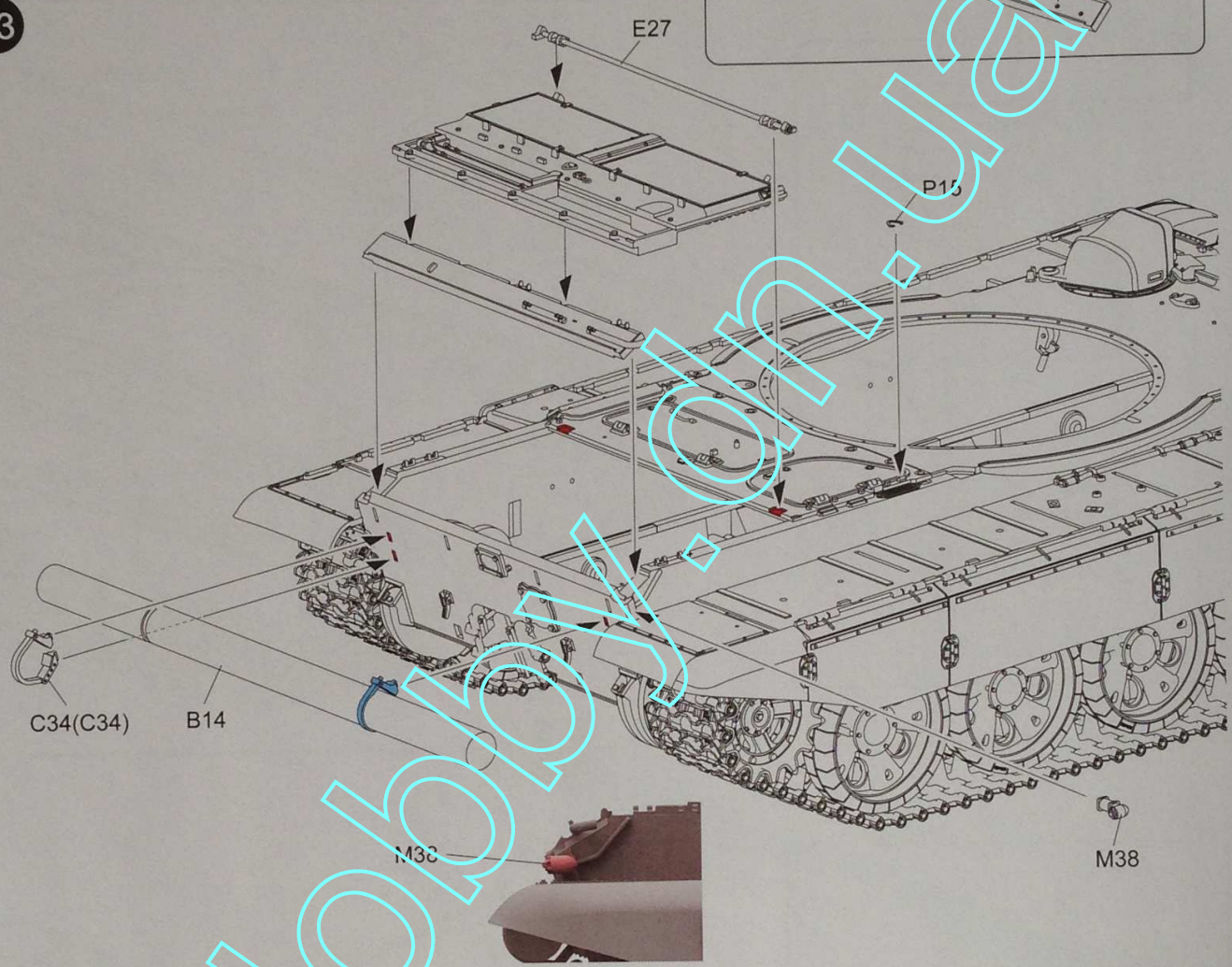
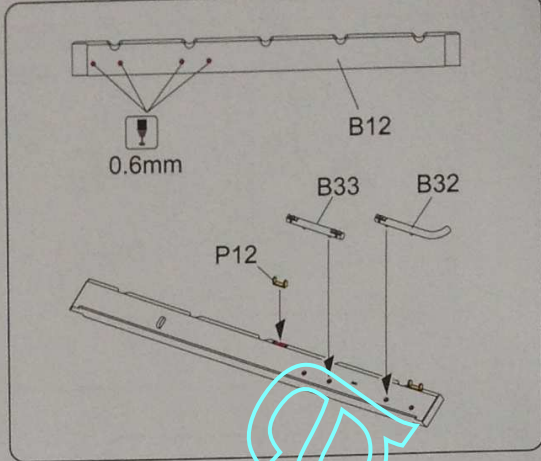
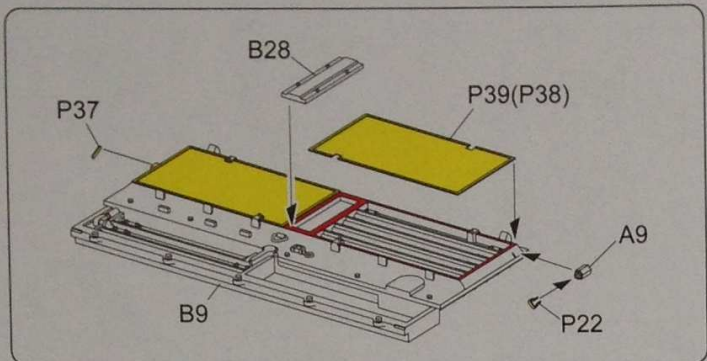


11

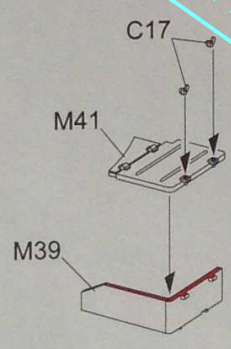




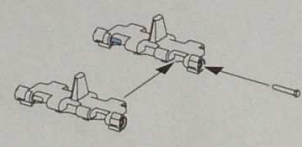
13



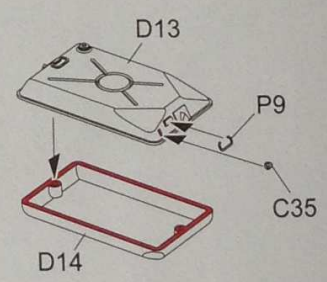
A5



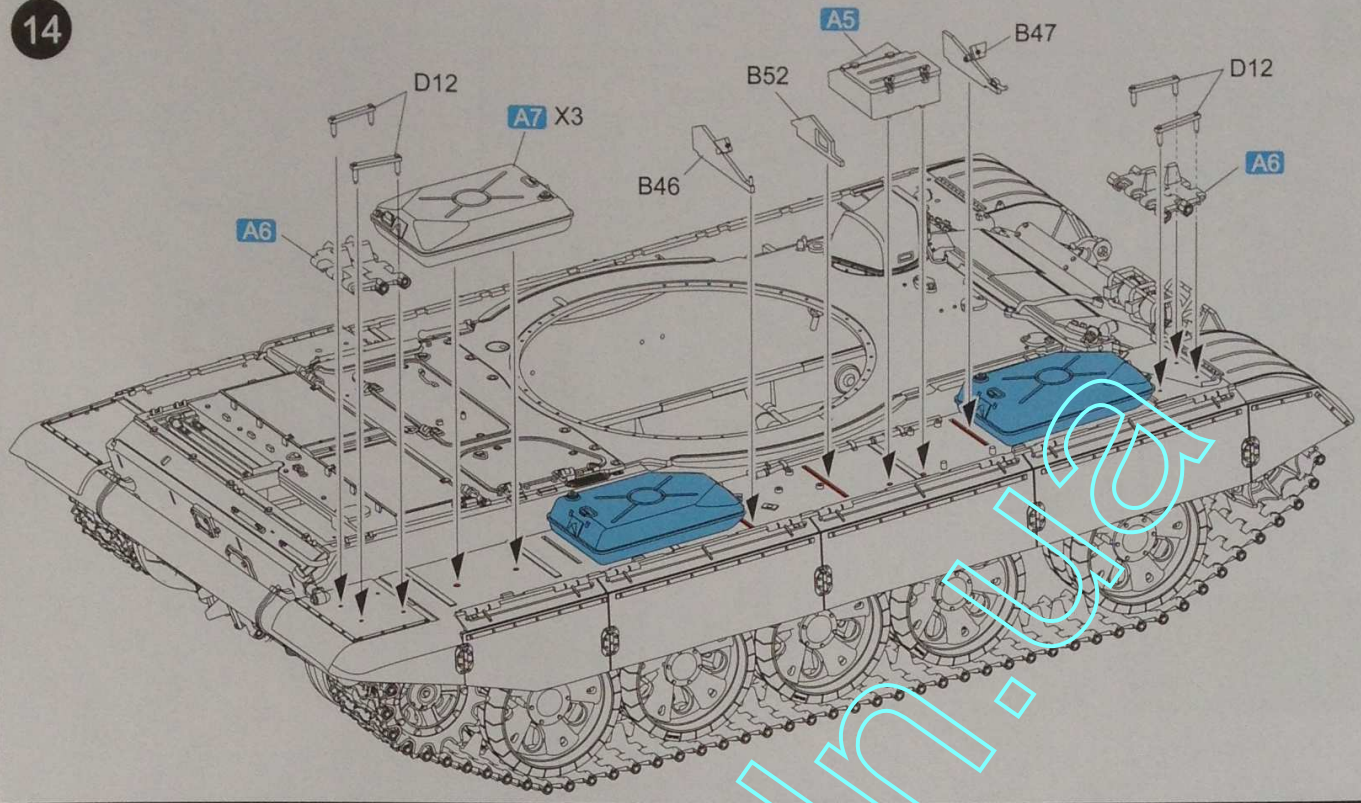
A6 MAKE2
制作2组



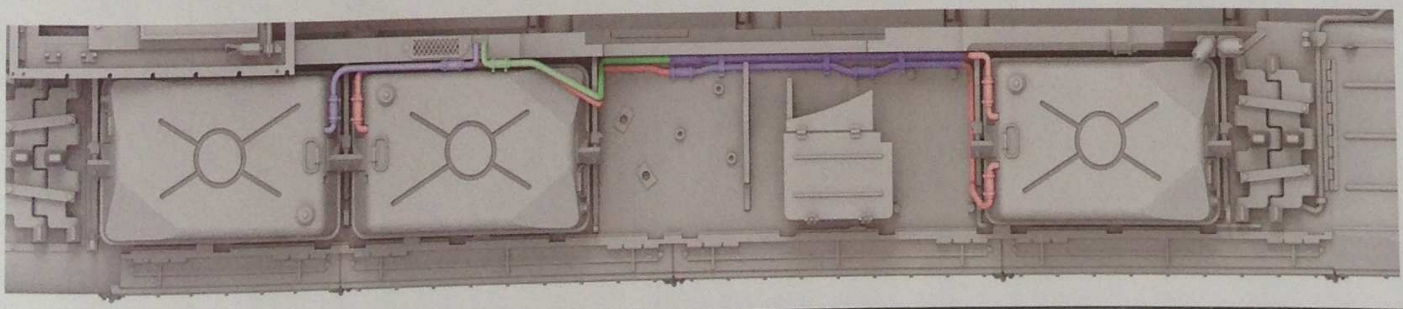
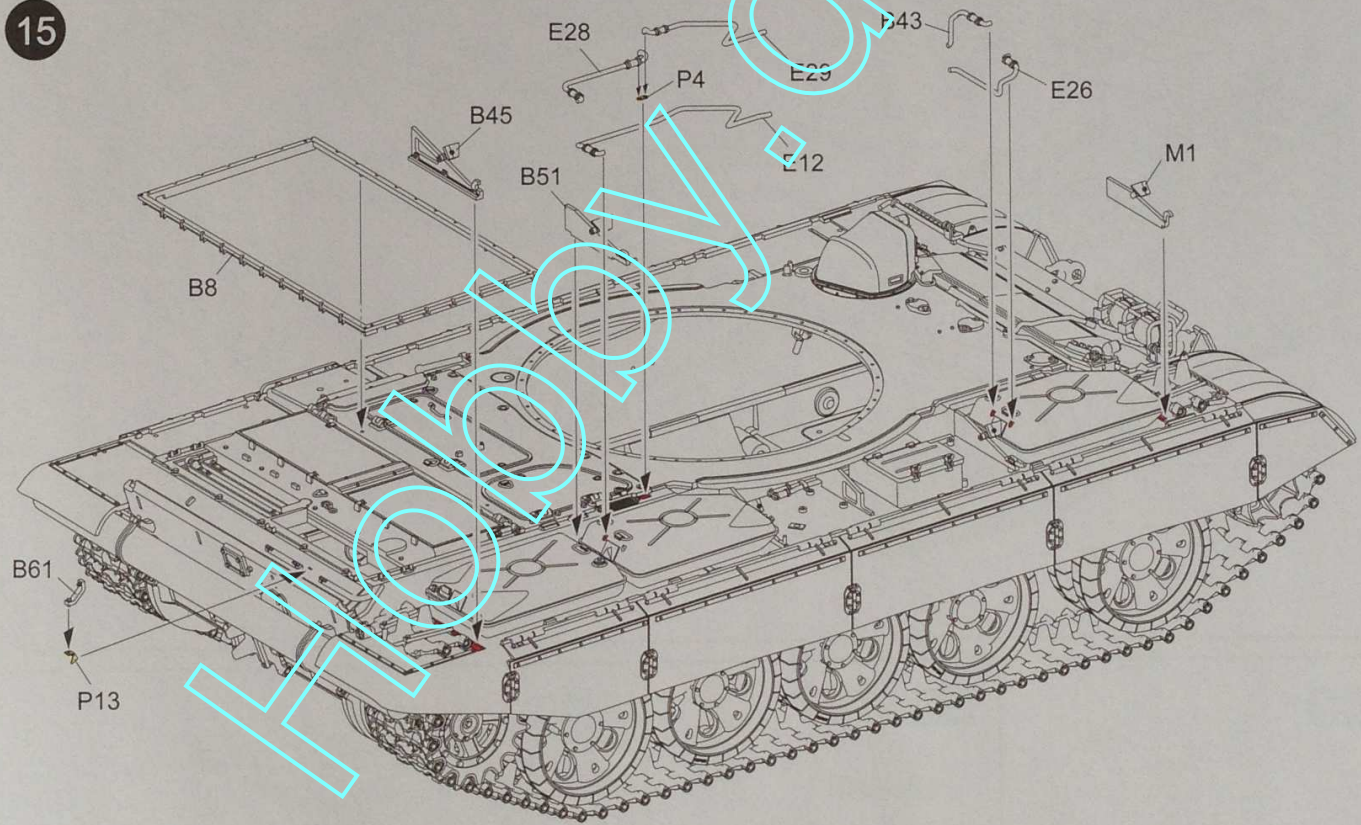
A7 MAKE3
制作3组

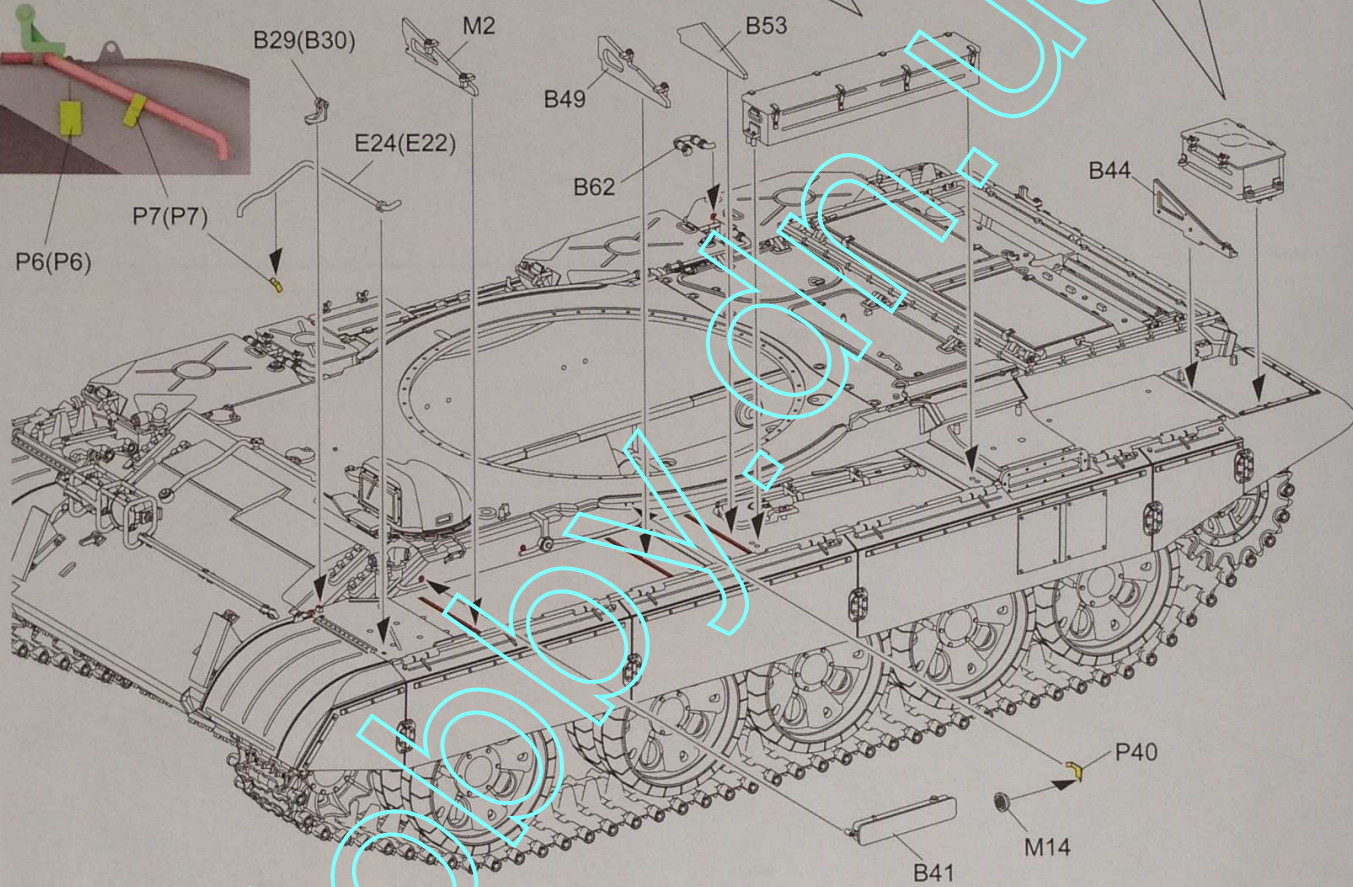
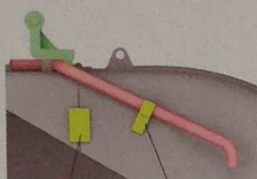
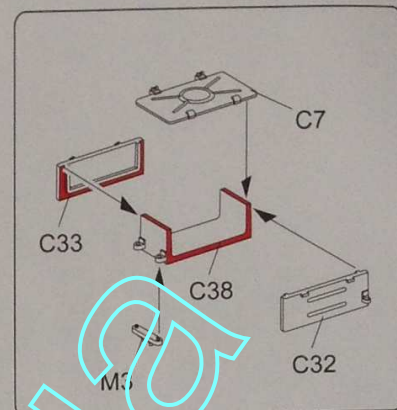
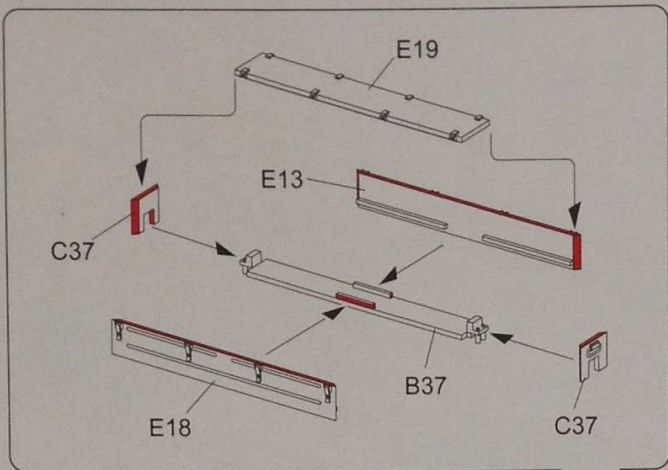


14

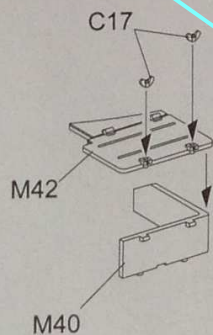


15

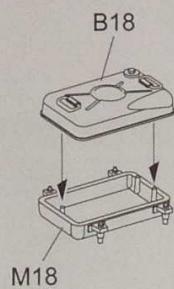




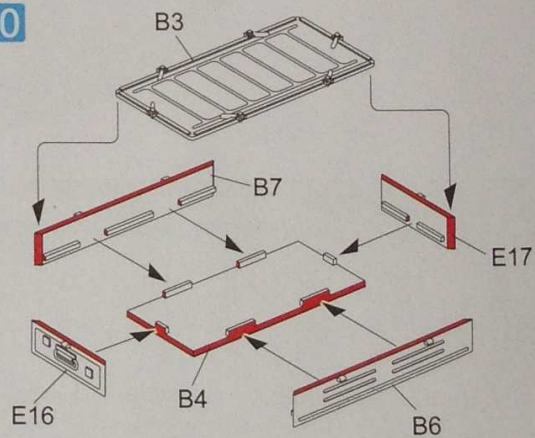
A8



A9

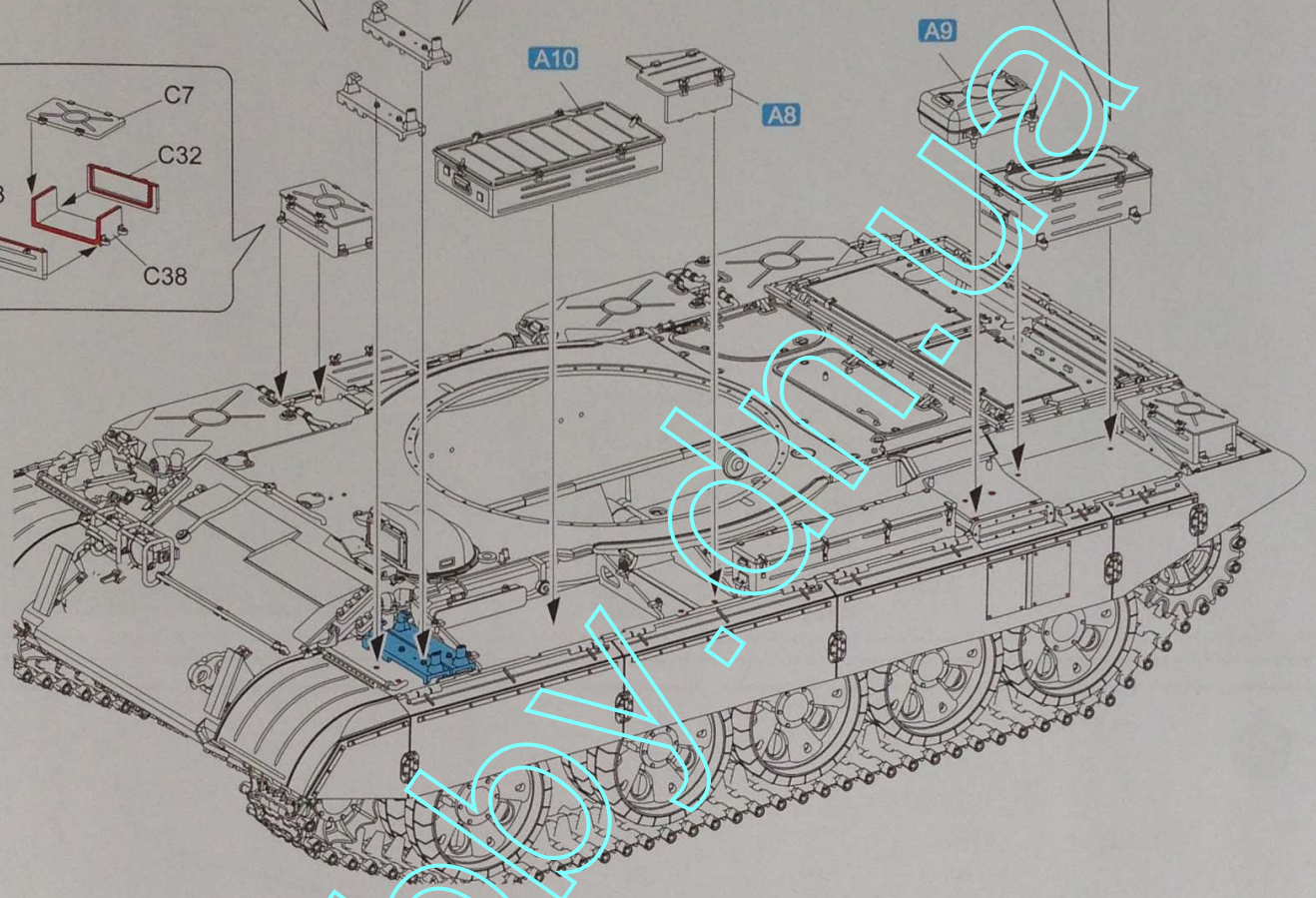
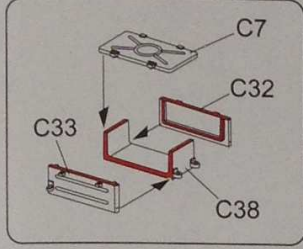
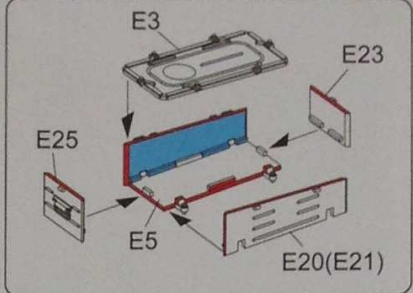
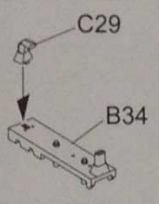
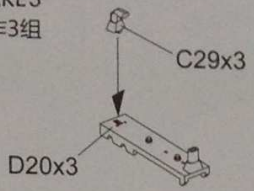


A10



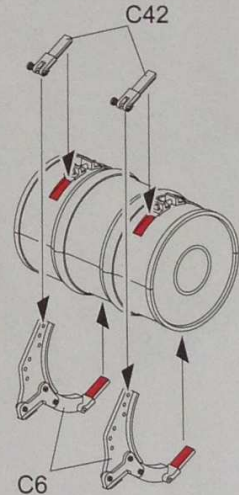
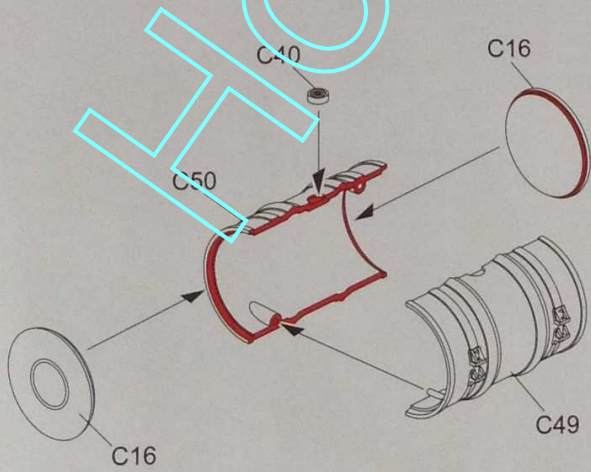
17

MAKE3
制作3组

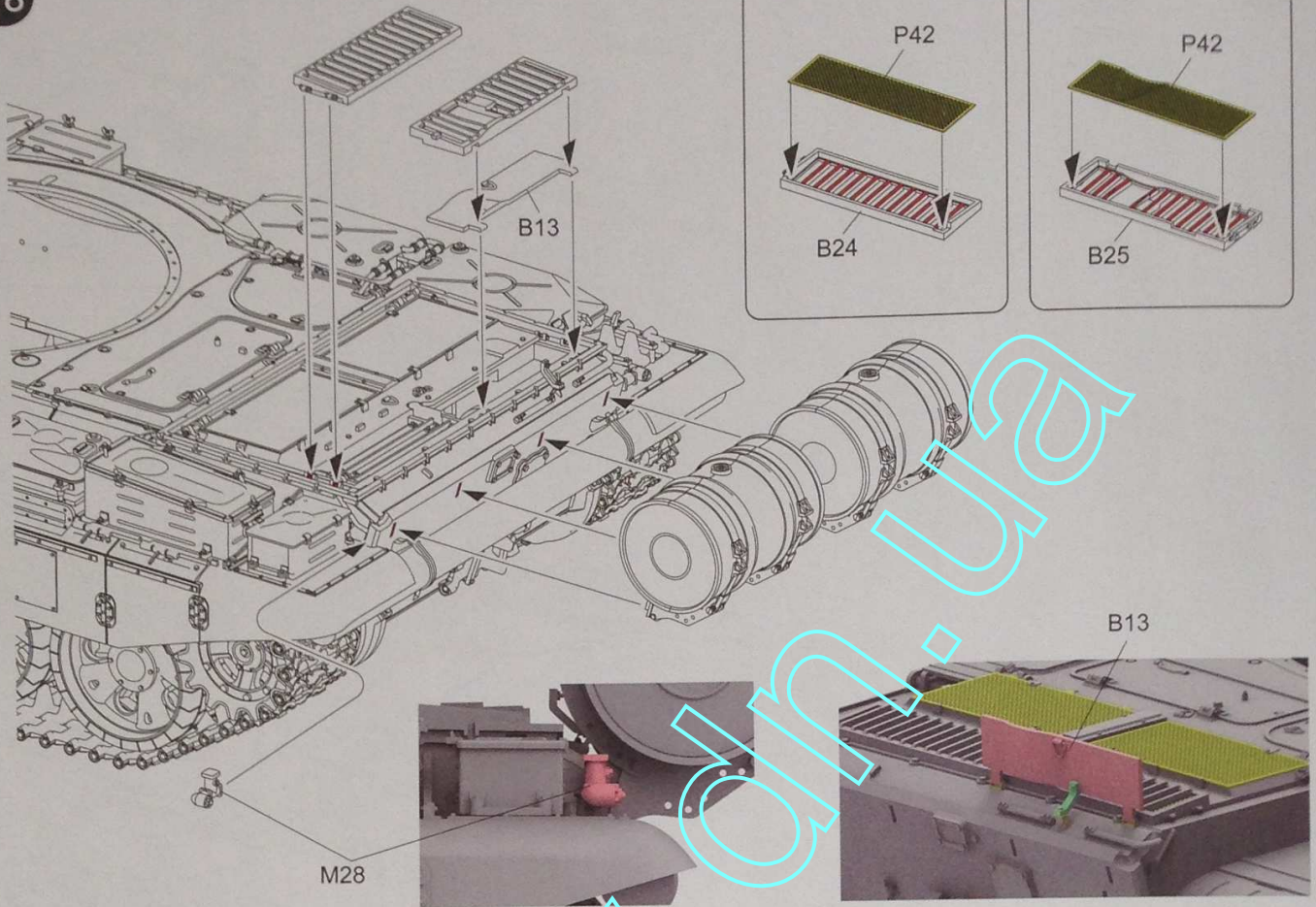


MAKE2
制作2组

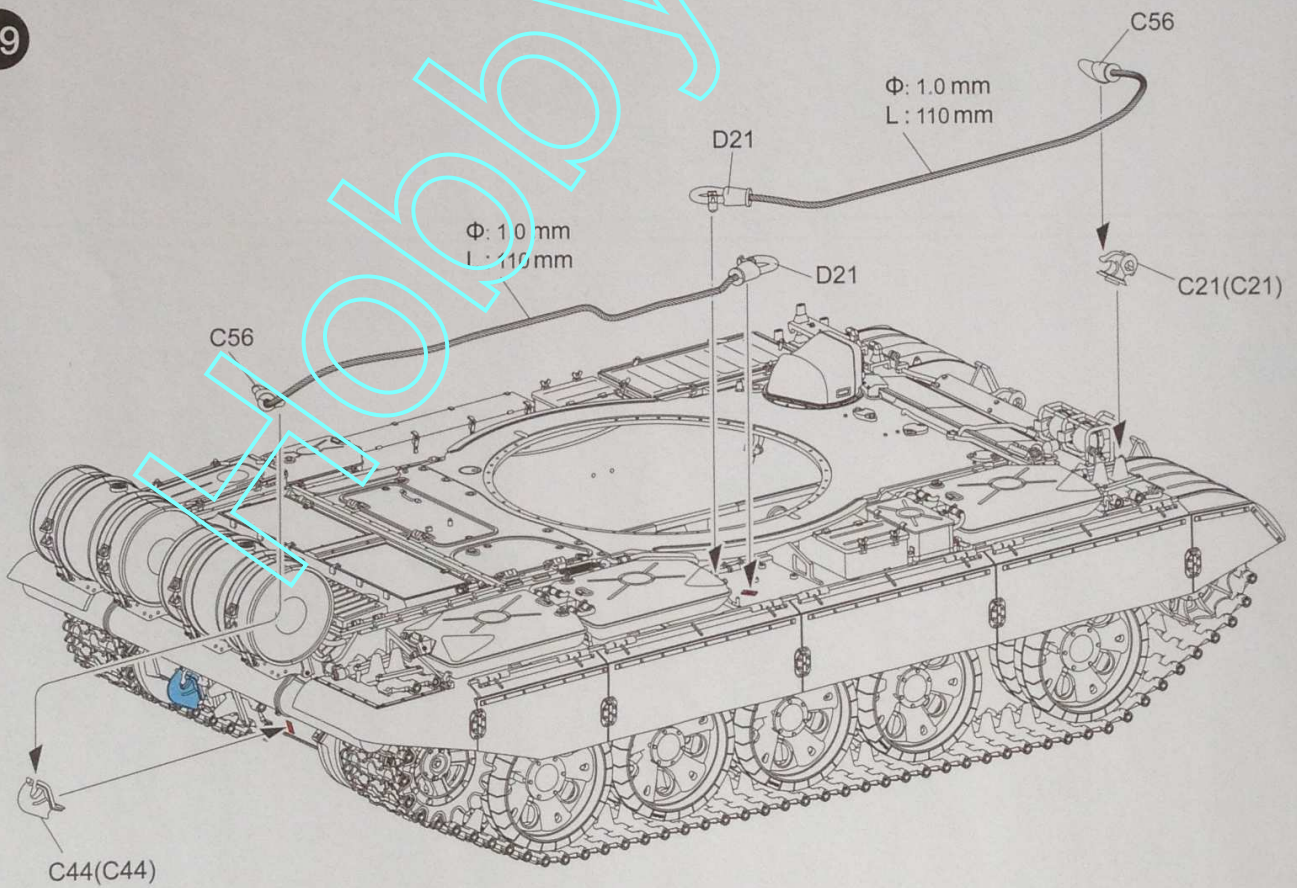
A11

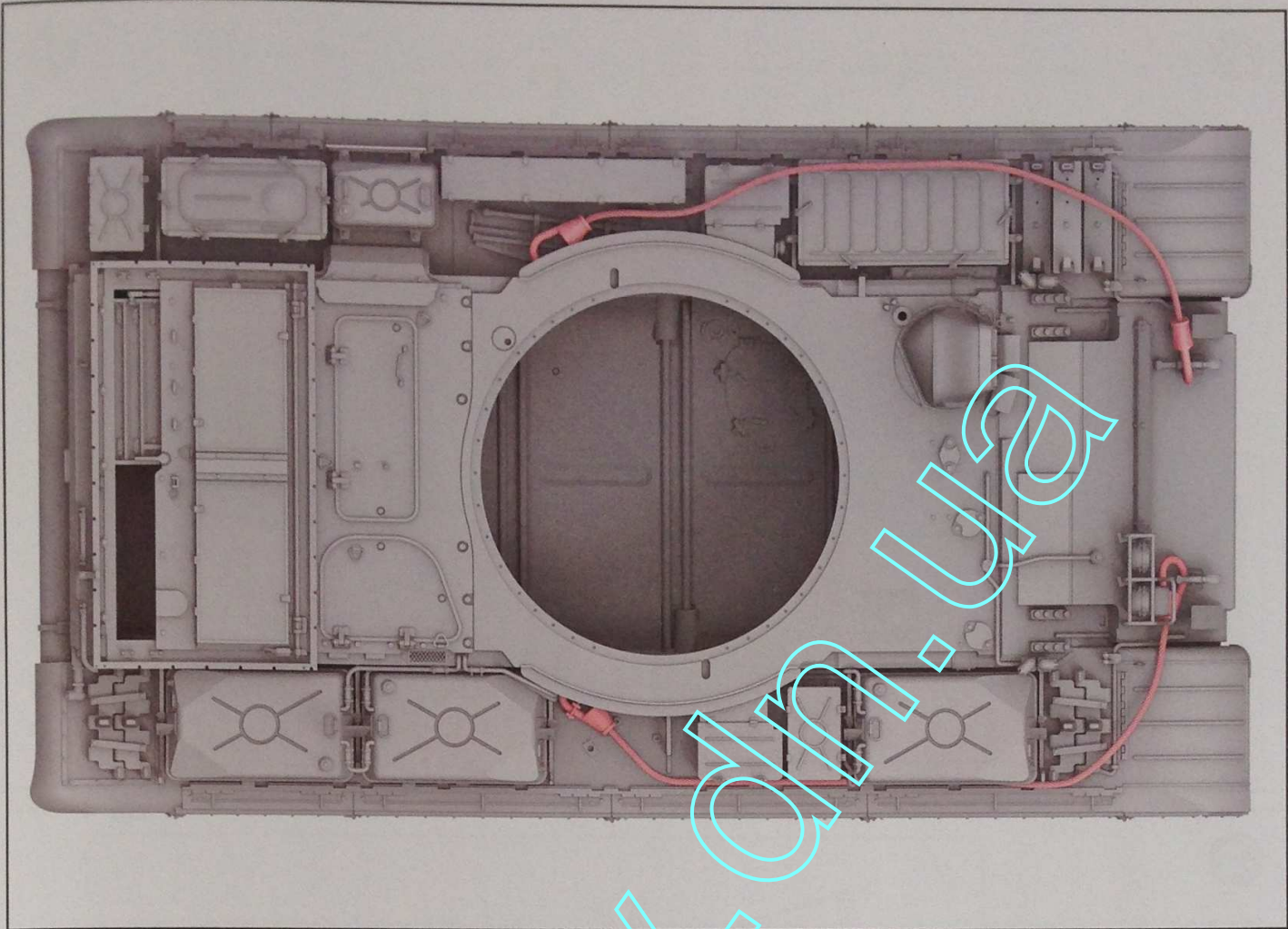


18

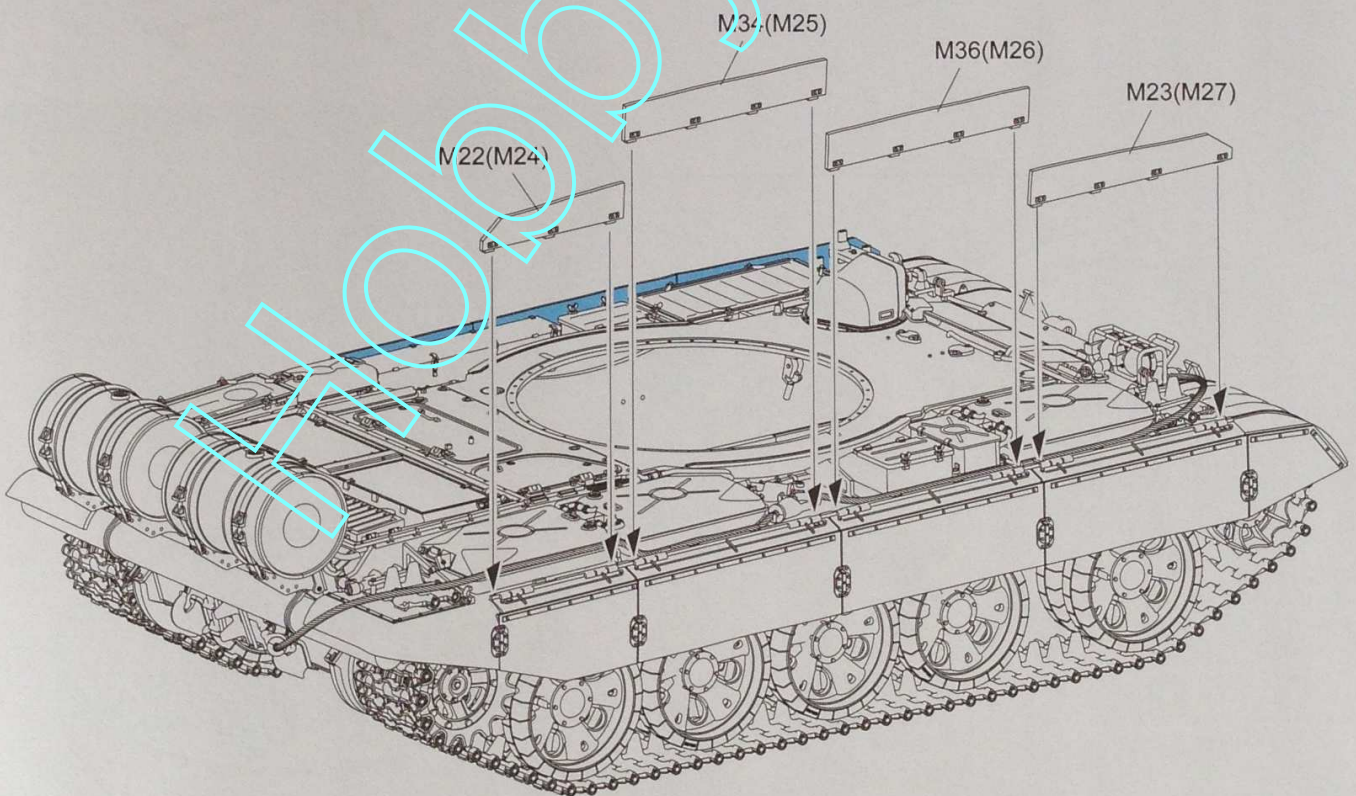


19

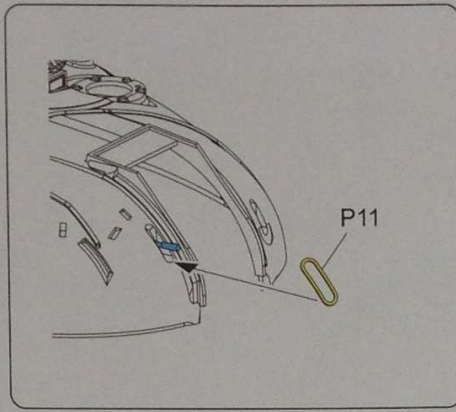




20



21



F21



F41

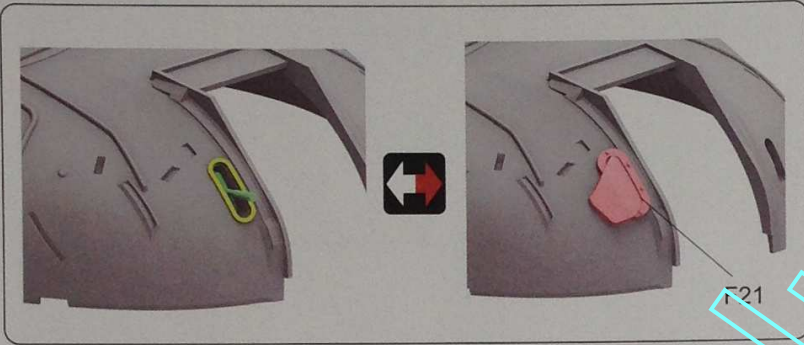
T12

T13

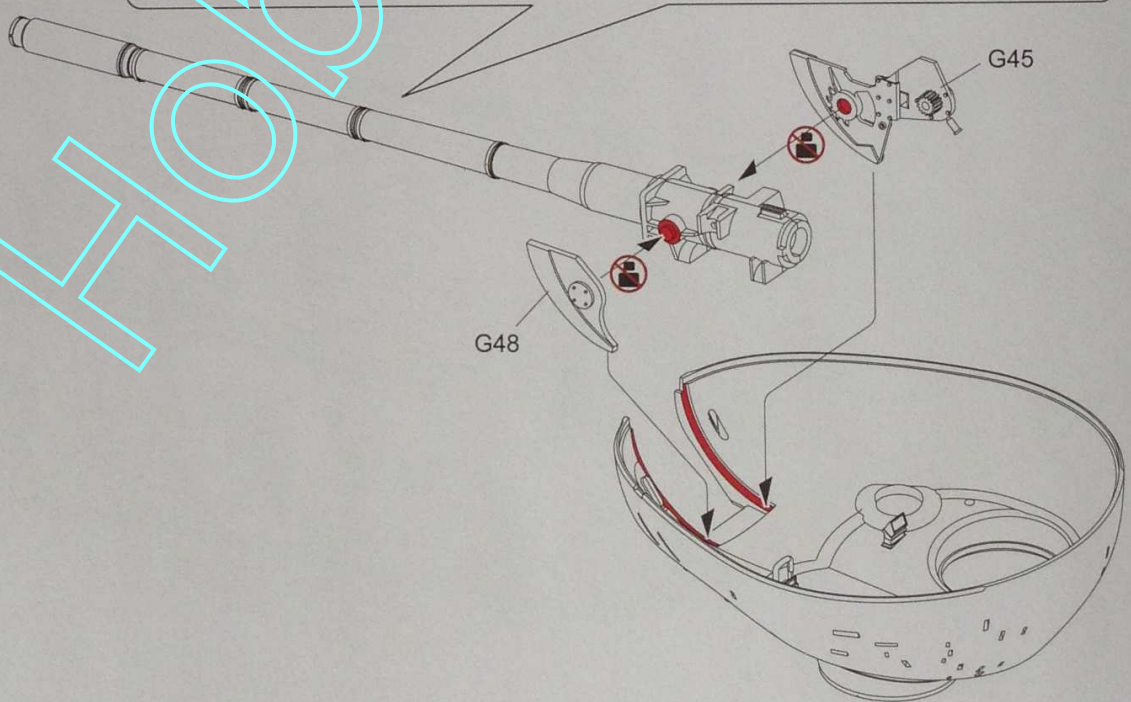
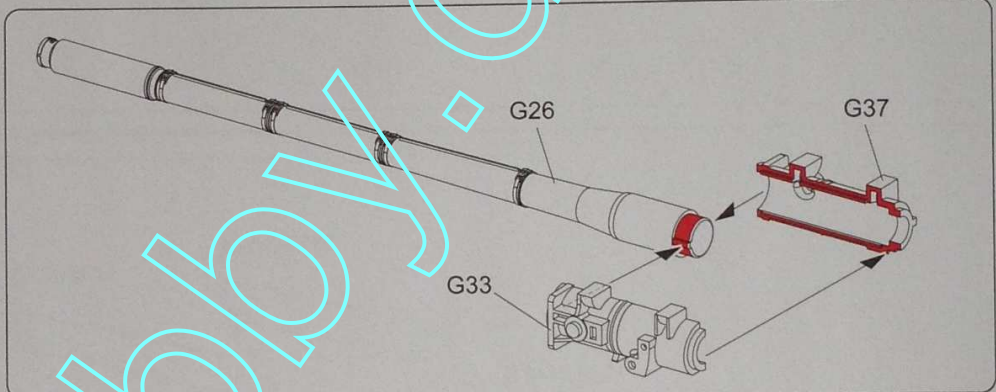
G1

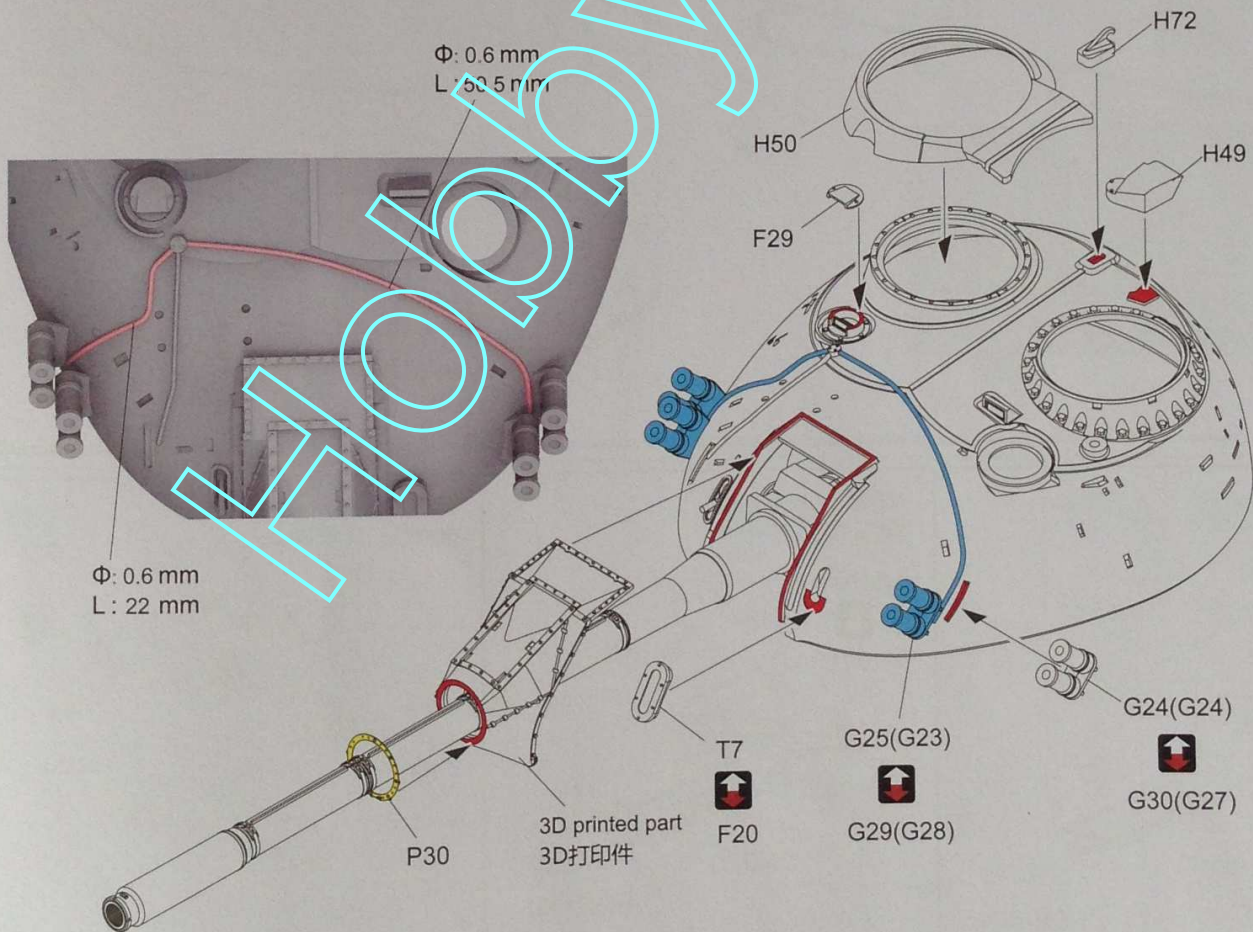
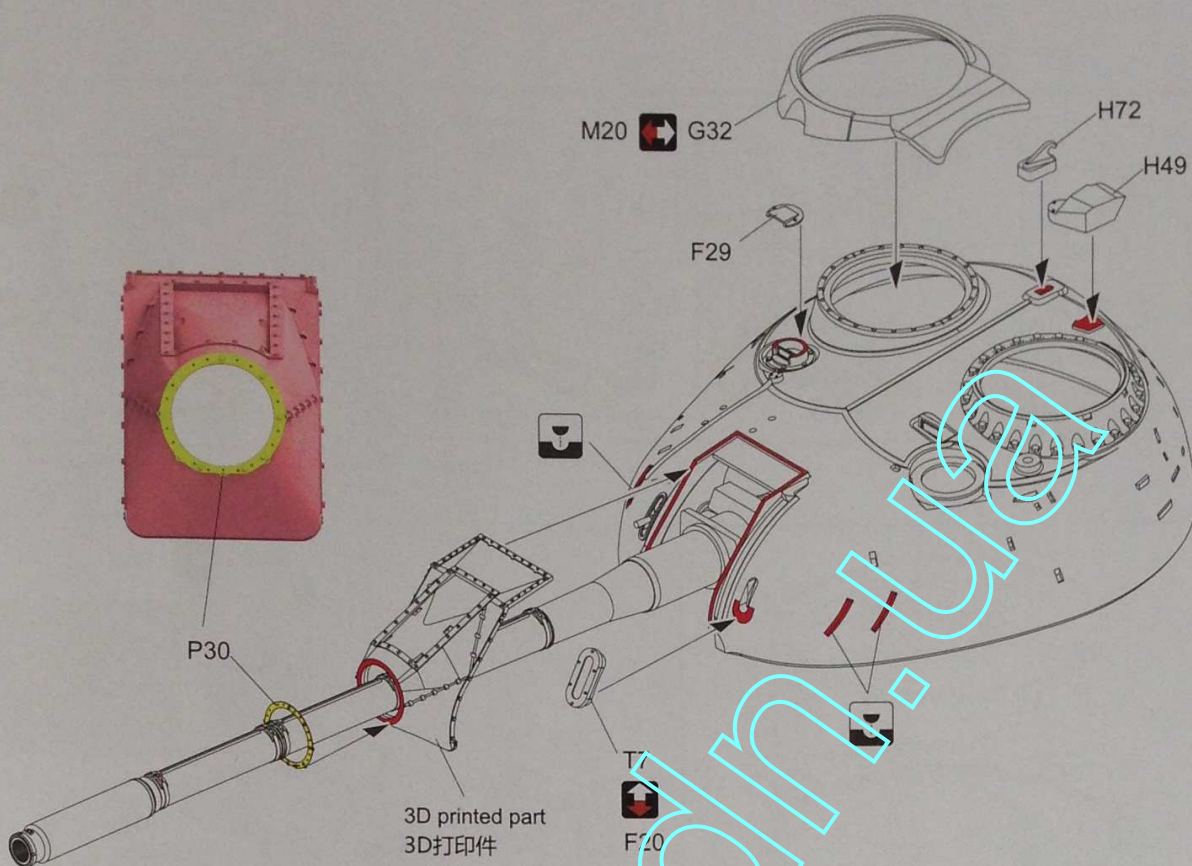
F30

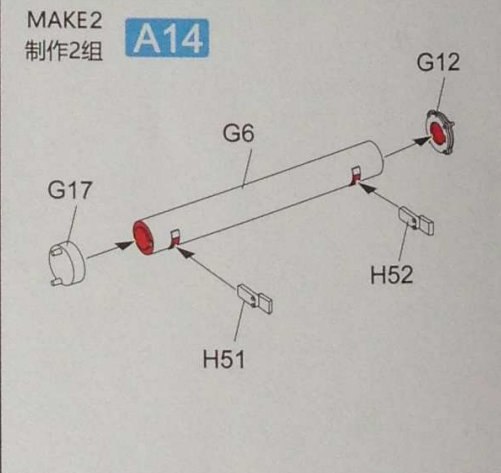
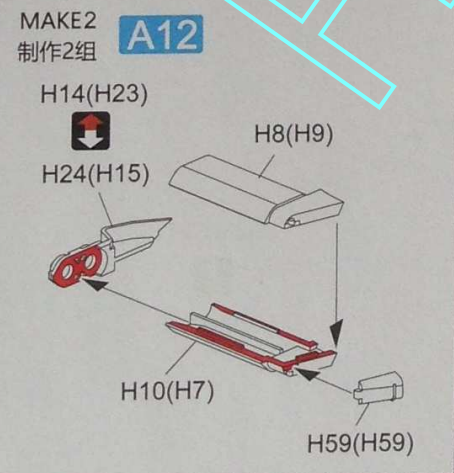
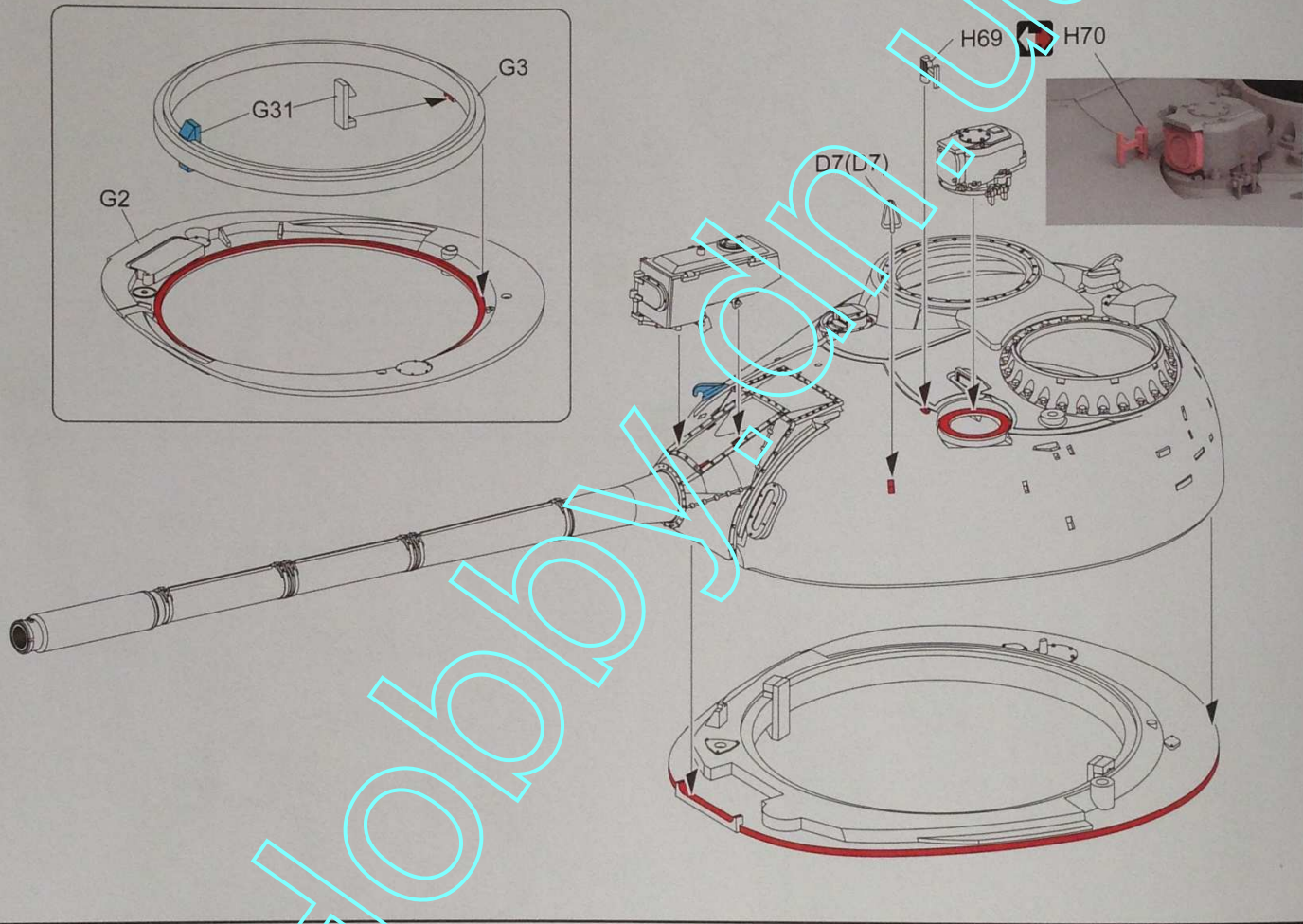
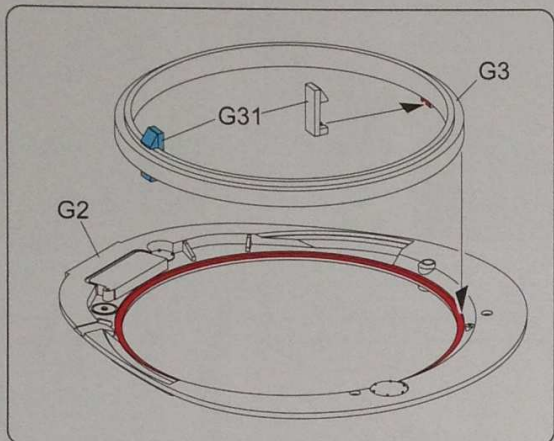
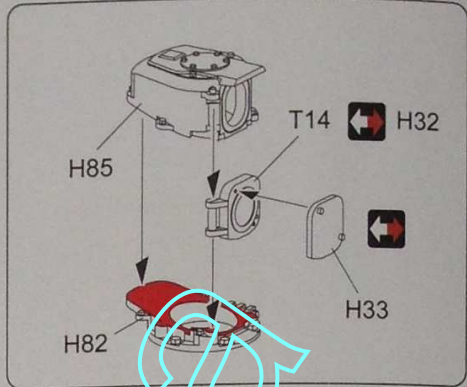
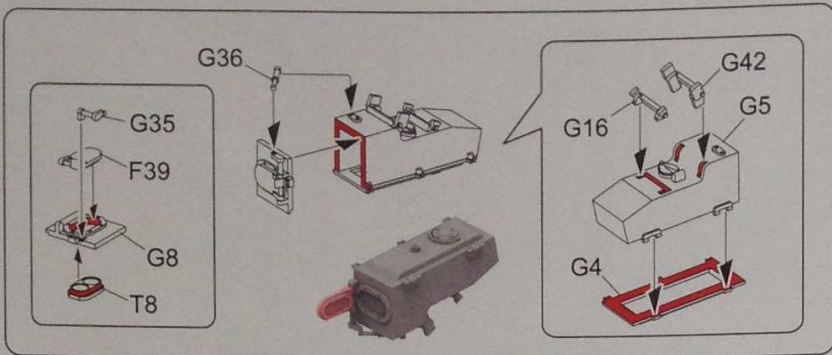
F21

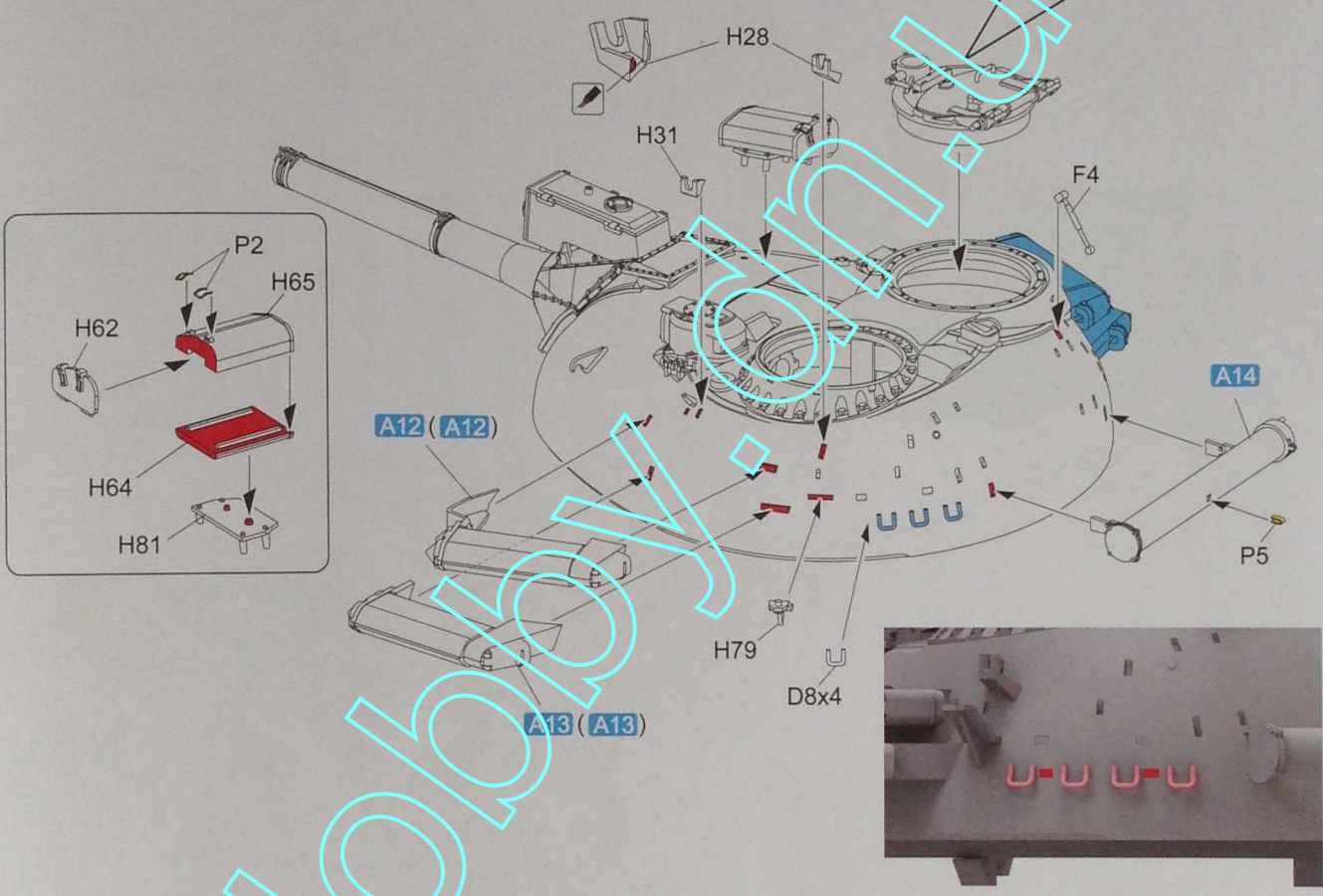
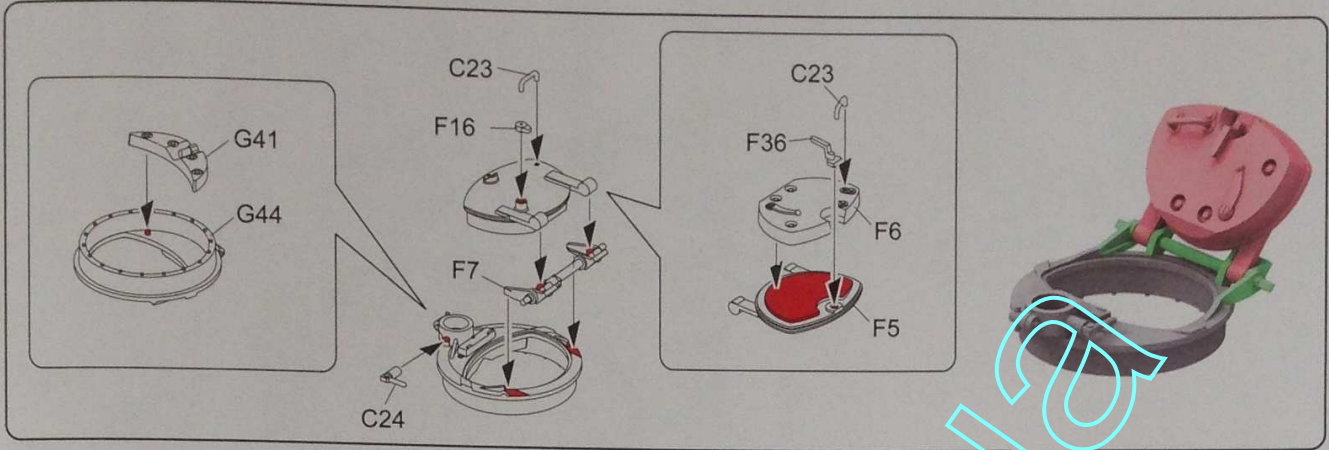


22

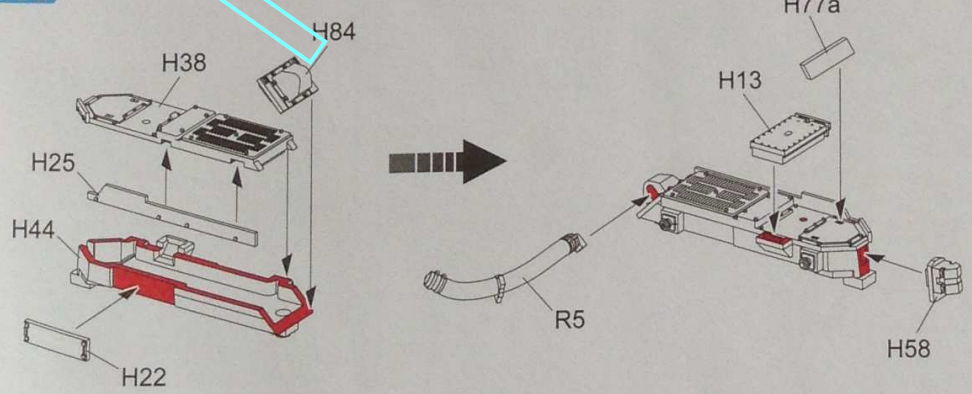




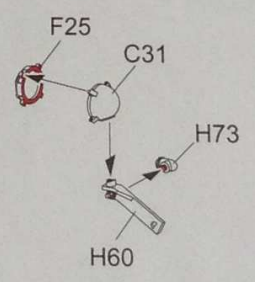


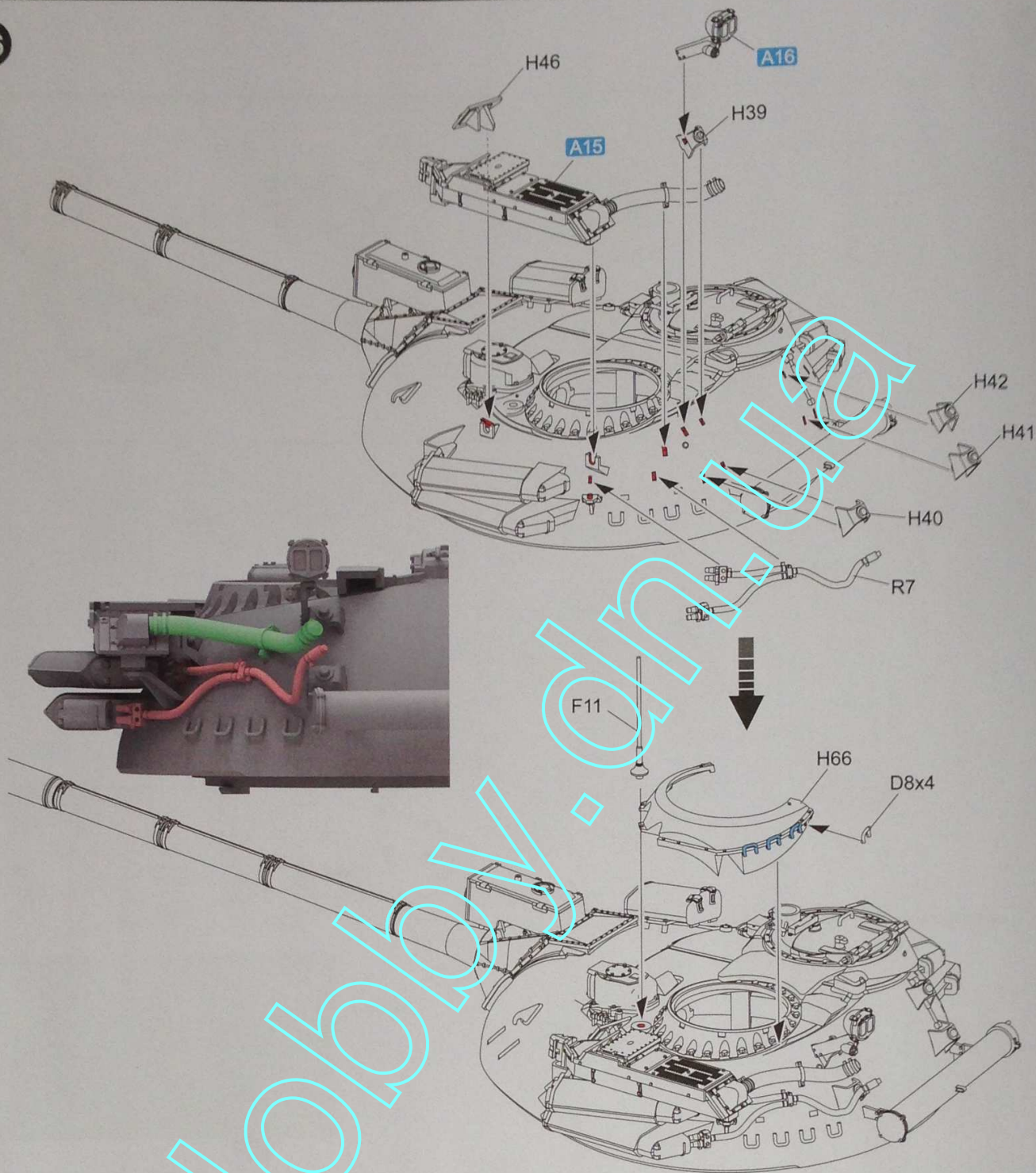


A15

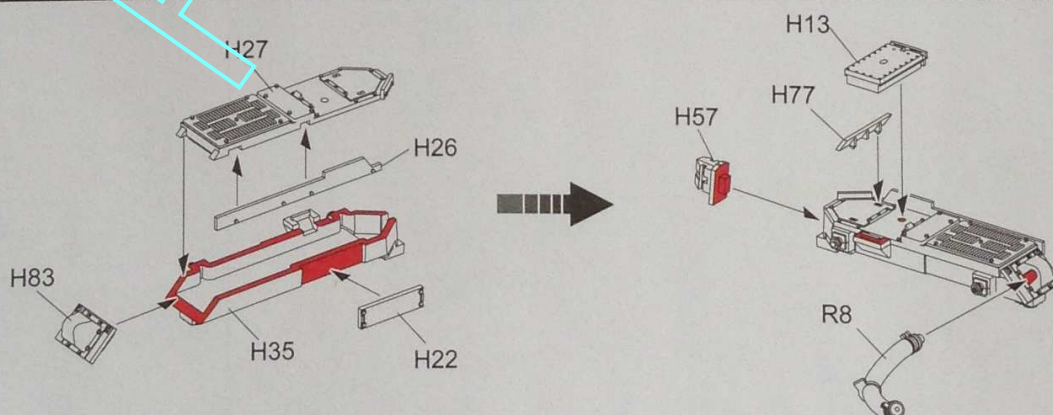


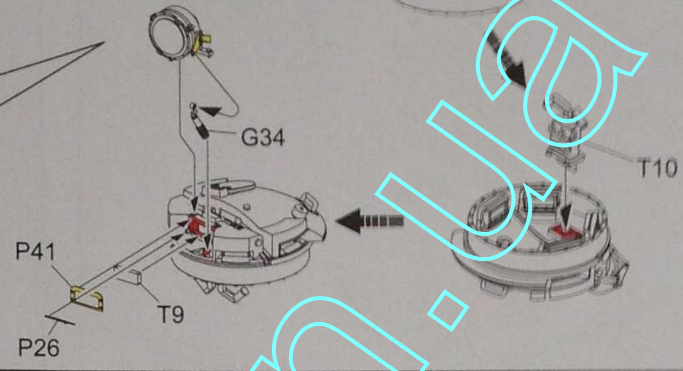
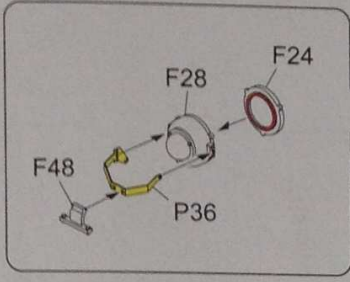
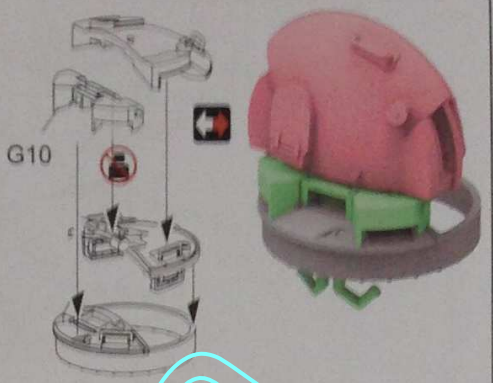
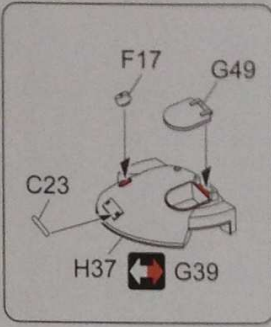
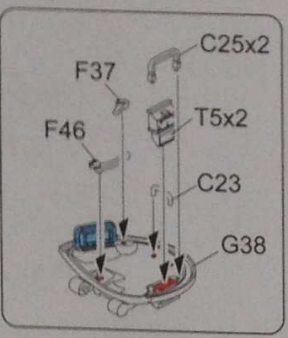
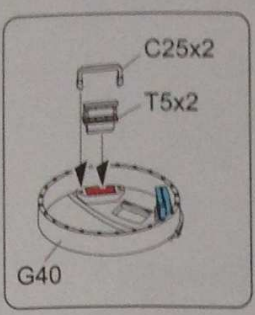
A16



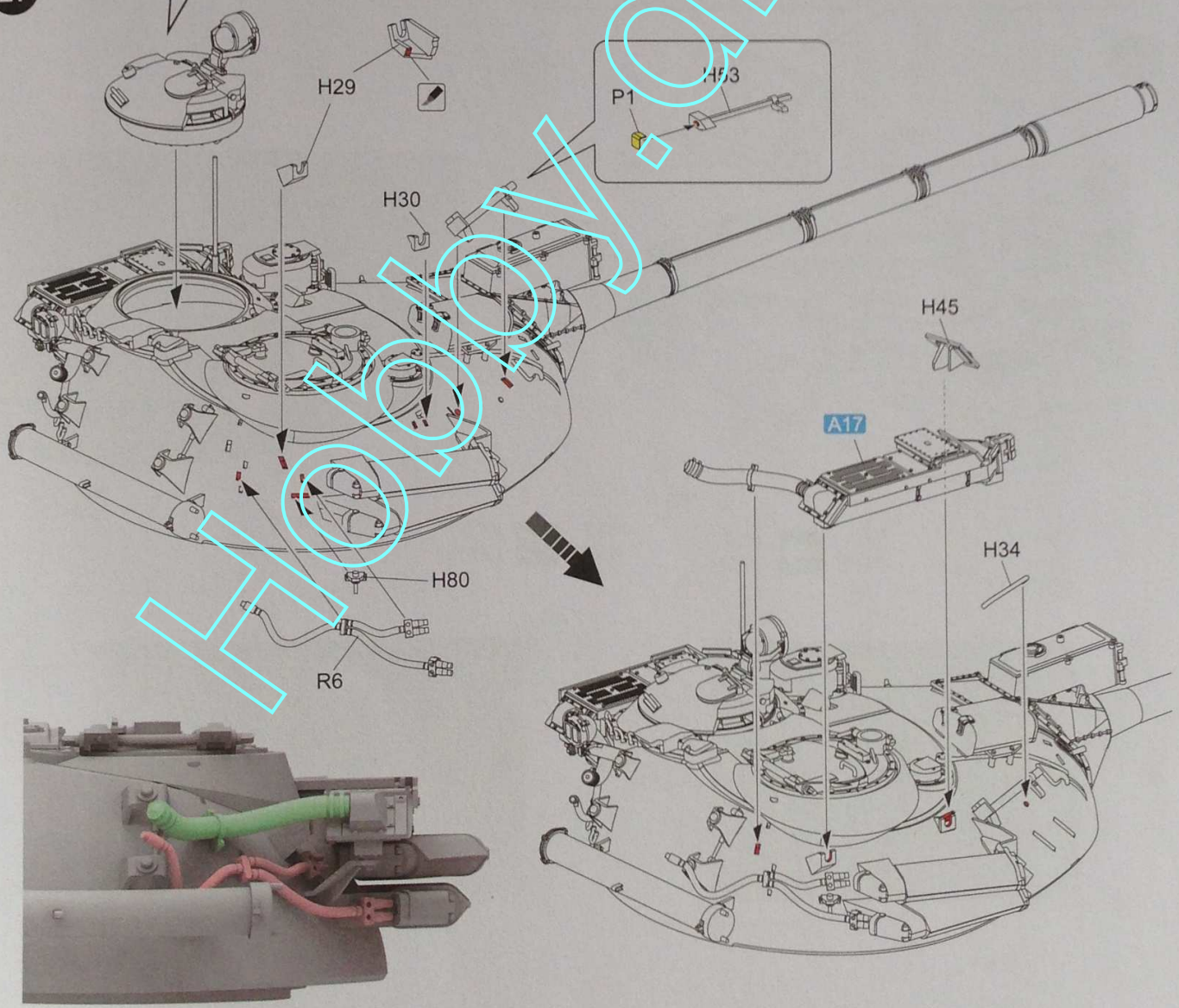


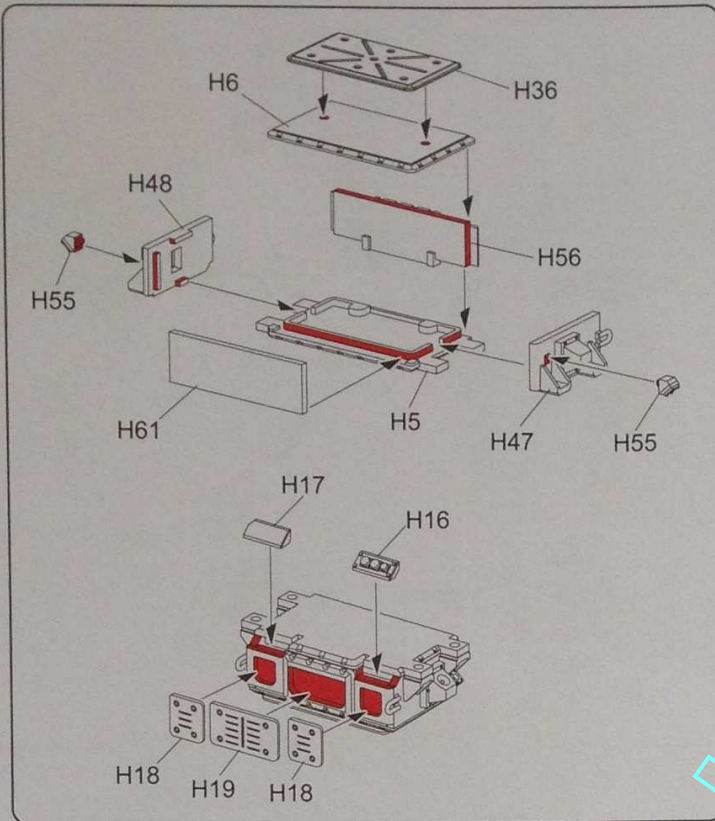
A17



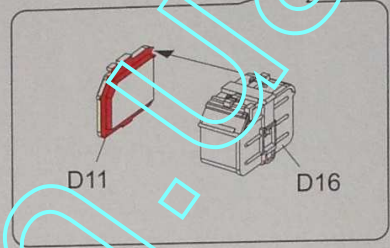
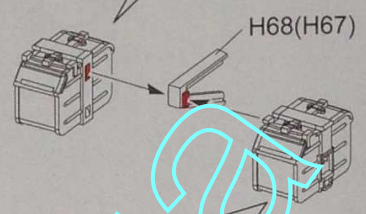
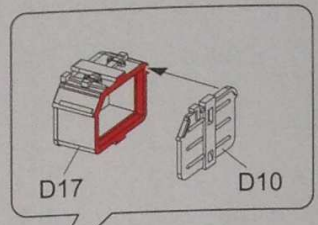


27

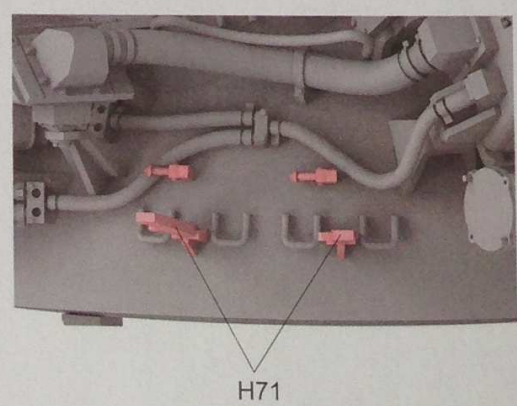
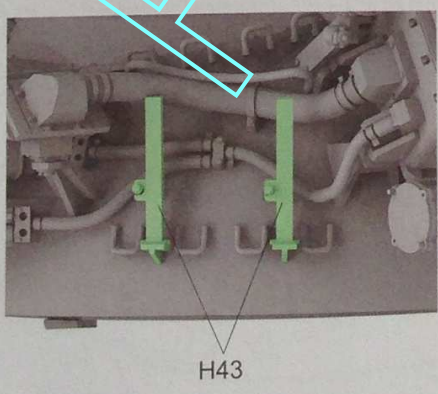
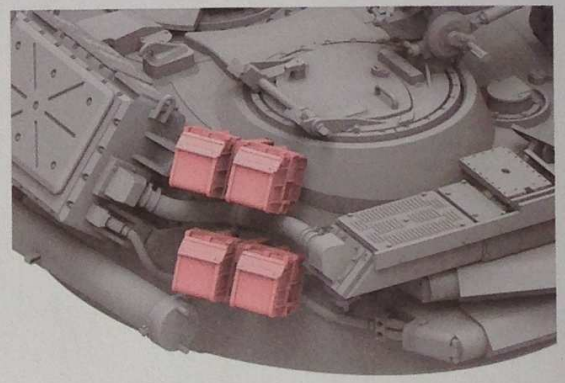
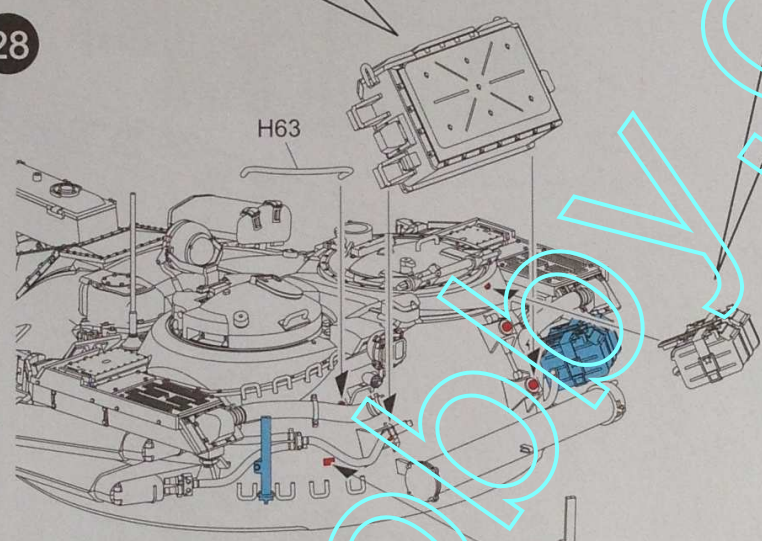


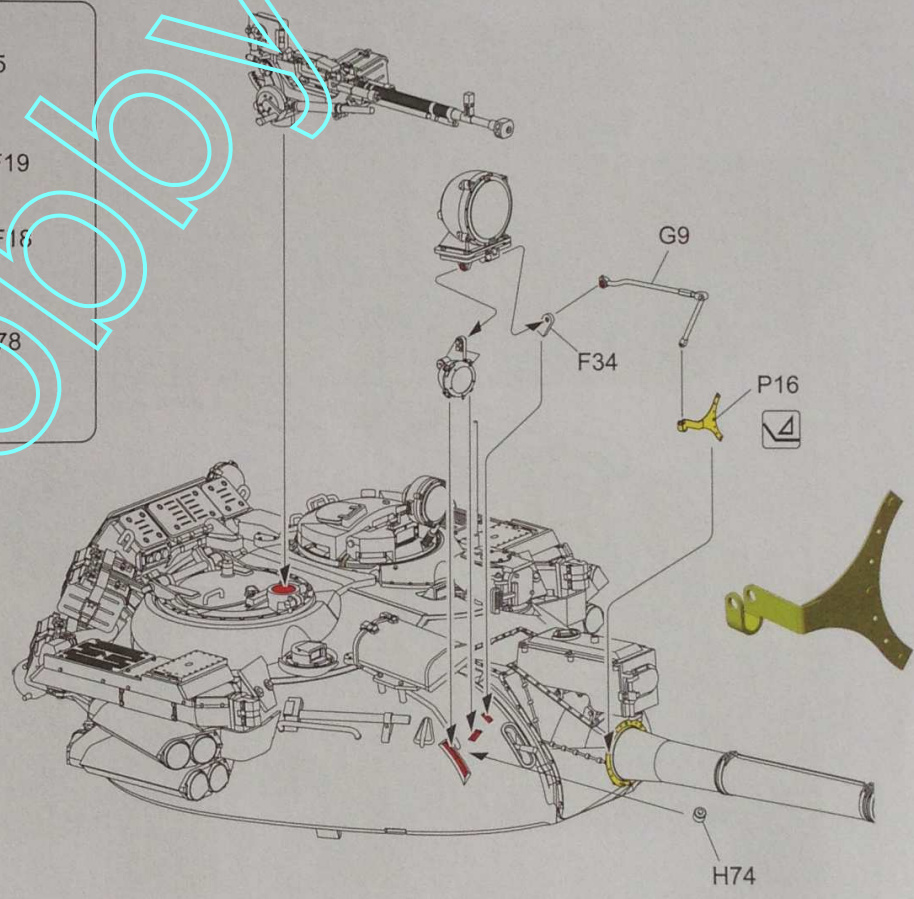
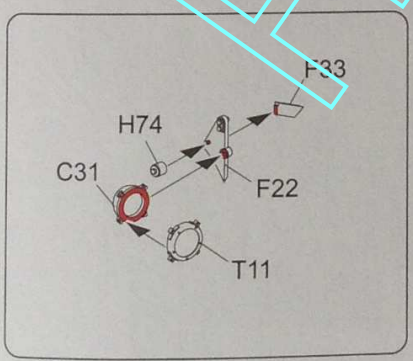
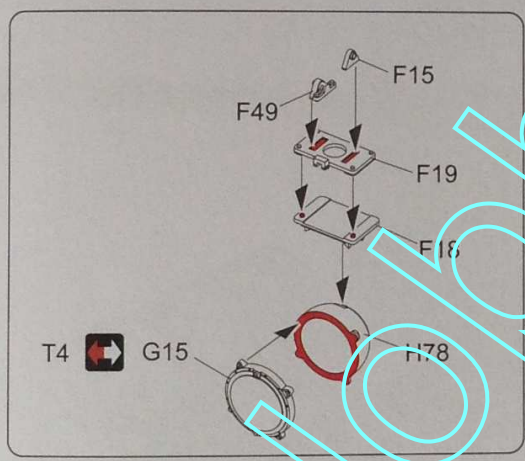
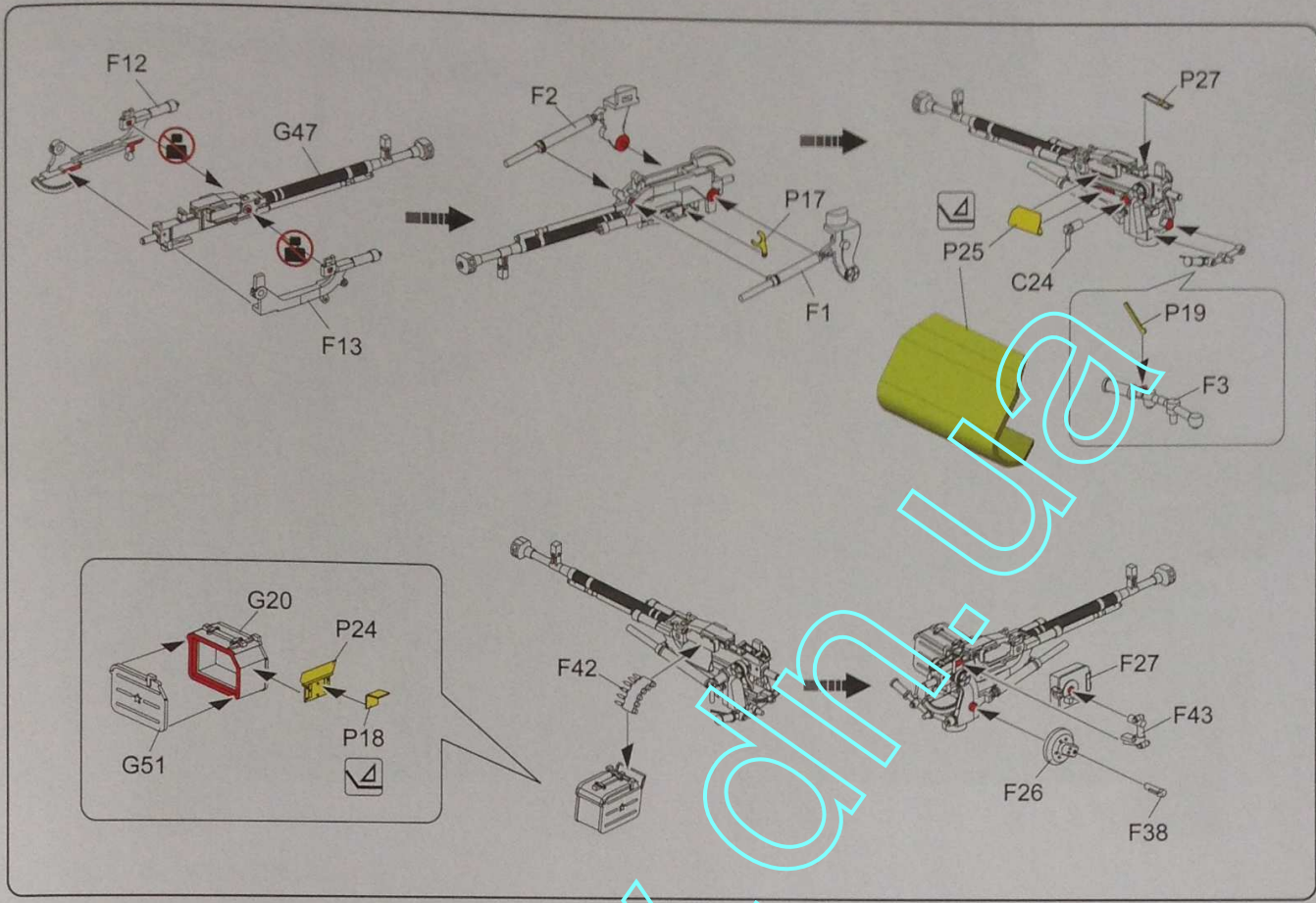


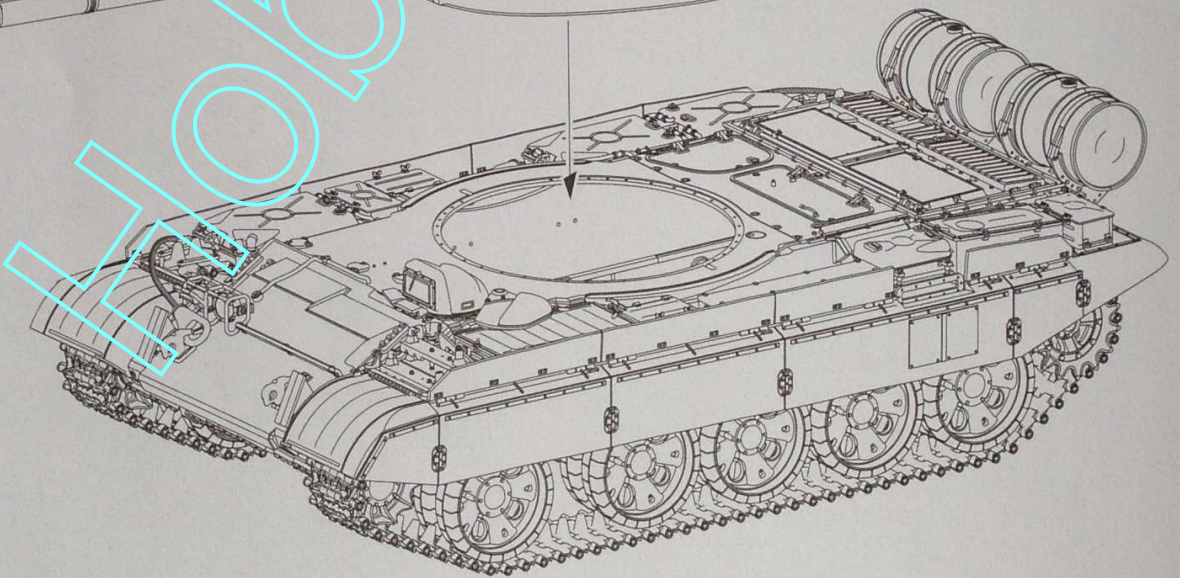
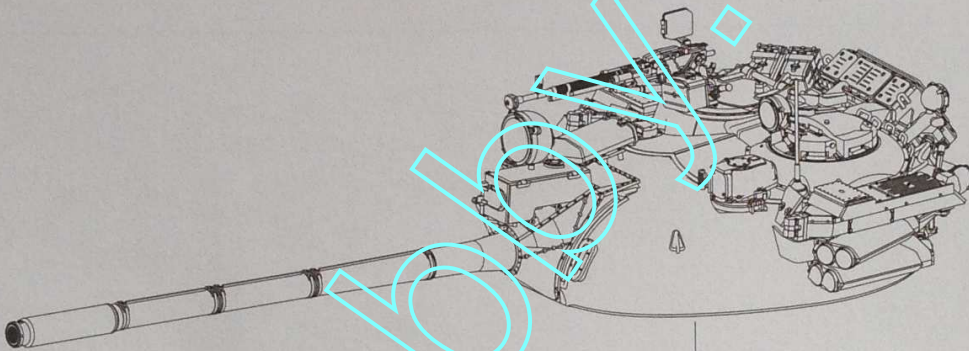
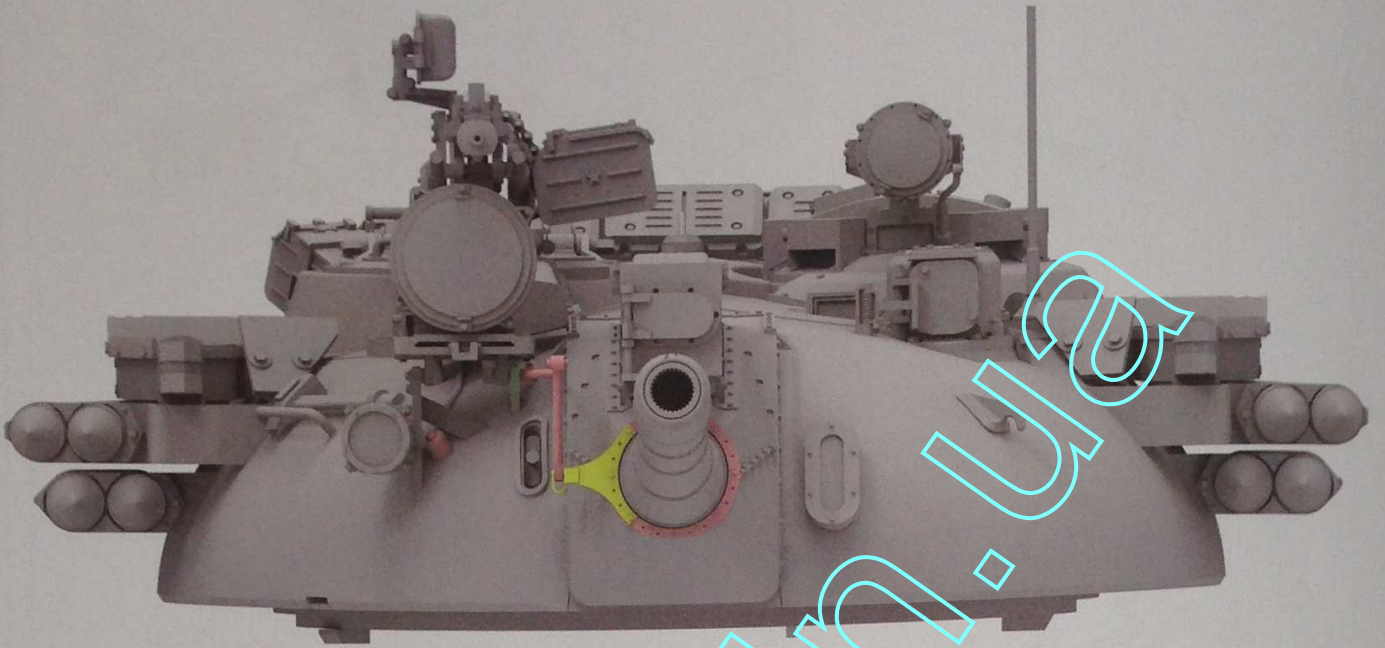
MAKE2
制作2组



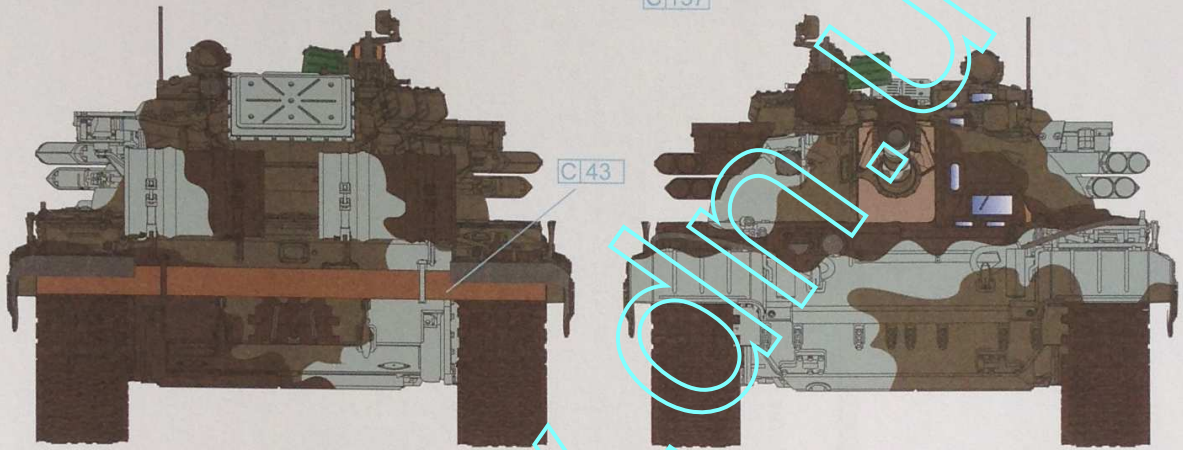
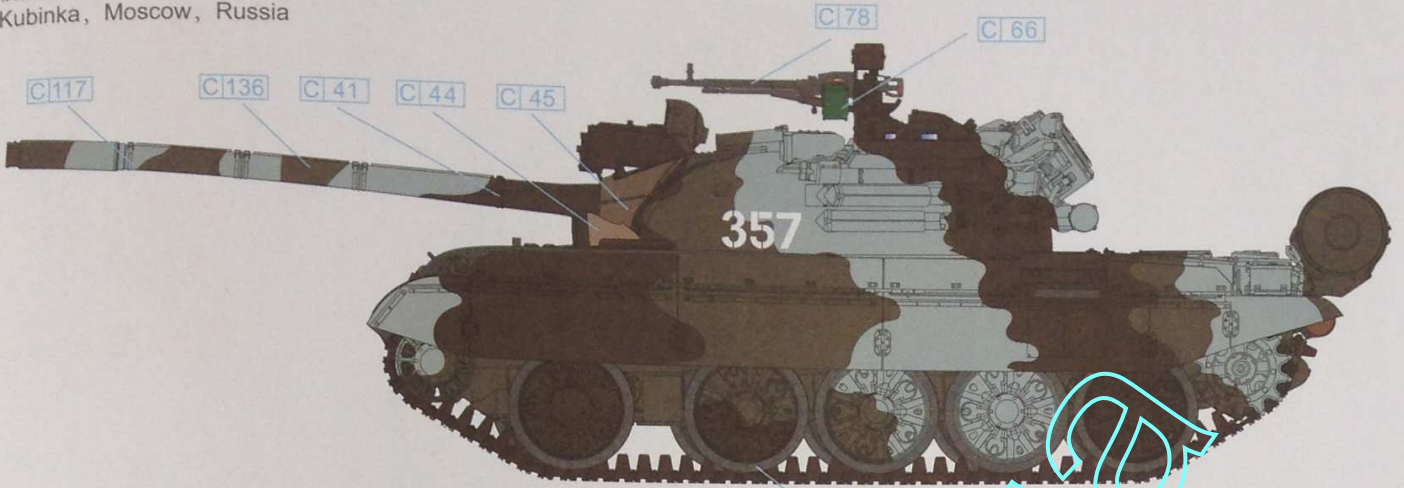
28







俄罗斯，莫斯科，库兵卡坦克博物馆展车
Kubinka, Moscow, Russia



俄罗斯，莫斯科，库兵卡科学装甲试验场车辆
Kubinka Scientific Test Range for Armour, Moscow, Russia

