

USER MANUAL 产品制作手册

Please read the following before assembly 制作前请仔细阅读以下事项

1. This product is the parts of the unassembled precision models. It requires special tools to assemble and paint the model. Glue, paint or tools are not included.
2. This product is for children of 14 and up, younger children should be under adult supervision. For those who will make the model and caregivers, please read manual carefully to understand the procedures.
3. Please be careful when using special model scissors, pencil sharpener or special dedicated file to remove the excess plastic materials on the surface. Do not damage or lose.
4. Please use special adhesive to assemble model parts. Please use power glue for metal parts carefully since it might cause be too powerful for the parts.
5. Please read the notes before using glue, painting or decal.

1. 本产品为未组装的比例模型套装零件，需要使用模型专用制作工具自行组装和上色。本产品内不含粘合剂，涂漆和工具。
2. 本产品适合14岁以上儿童和成年模型爱好者，低年龄者请在成人监管看护下制作。制作者和看护者请仔细阅读本制作手册，了解基本制作流程和注意要点。
3. 请小心使用模型专用剪，专用笔刀或专用锉刀去除零件表面多余注塑胶料，不要损坏或丢失。
4. 请使用模型专用粘合剂粘合零件组装。金属零件粘合请小心使用强力胶，过量强力胶使用可能导致可动零件完全粘合。
5. 使用粘合剂，涂漆和水贴之前请阅读相关注意事项。


Warning 特别注意

- ▲ Do not use glue or paint near the fire, please keep good air circulation.
- ▲ Please be careful with the tips of both tools and parts. Please pay special attention to photo-etch parts to avoid scratch or injury.
- ▲ Please keep away from children, pets or anyone who need special care. Avoid any possible injury from small parts and tools. please keep plastic bags away from children or pets.
- ▲ 切勿在近火处使用胶水或涂漆，请保持制作环境的空气流通。
- ▲ 请小心制作工具和产品零件的尖端，处理蚀刻片时请特别注意，防止划伤，避免伤害。
- ▲ 制作时请远离儿童、宠物和需受监护的人员，避免细小零件和工具对其造成损伤。请将产品中的包装塑胶袋远离儿童和宠物避免发生窒息危险！

14 Kit suitable for ages 14 to adult
本产品适合14岁以上青少年及成人收藏者


x2 Make 2 Pcs
制作二组


 Optional
选择模式


 Remove / Cut
切割

 Bend
弯曲

 Apply Decal
贴水印纸


 Open Hole
钻孔

 Caution
小心注意

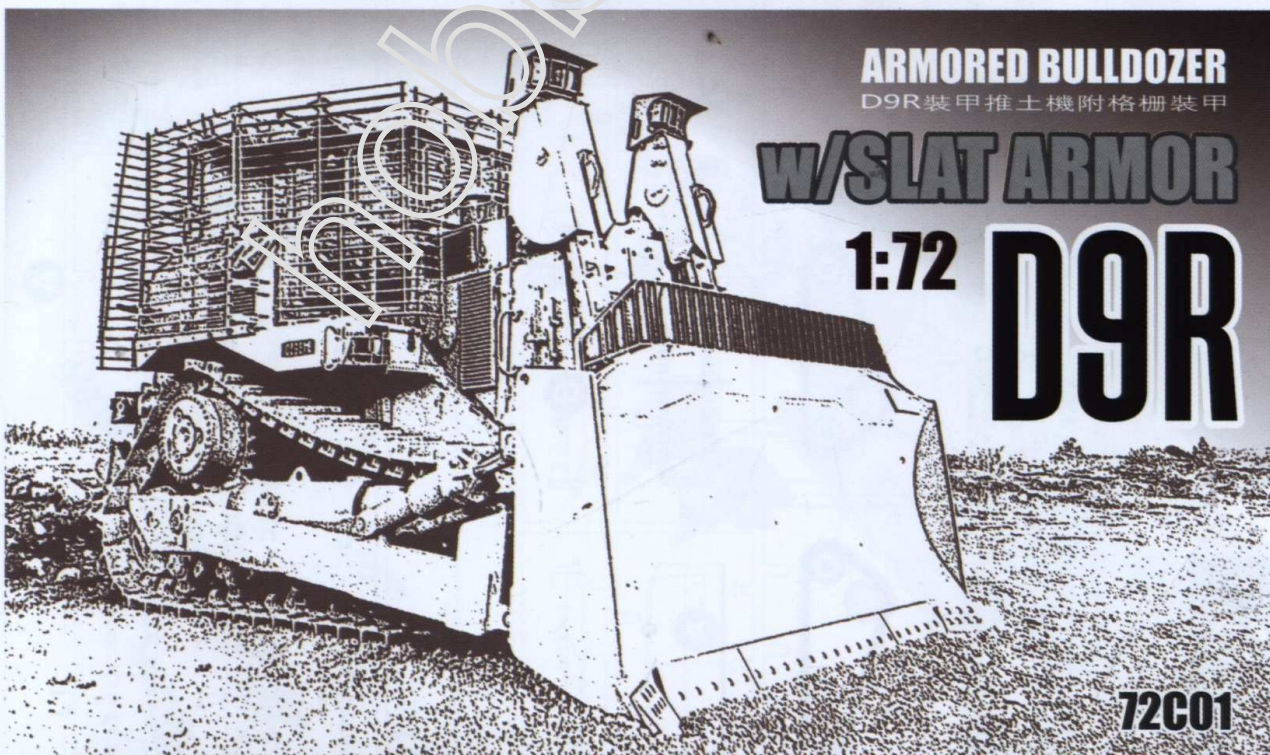
 Do Not Cement
无需粘合

 Weight
配重

 Fill Hole
填平

 Instant Glue For Metal
用强力胶

 Choose make or not
选择是否制作



ARMORED BULLDOZER
D9R装甲推土机附格栅装甲

W/SLAT ARMOR

1:72

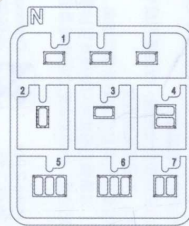
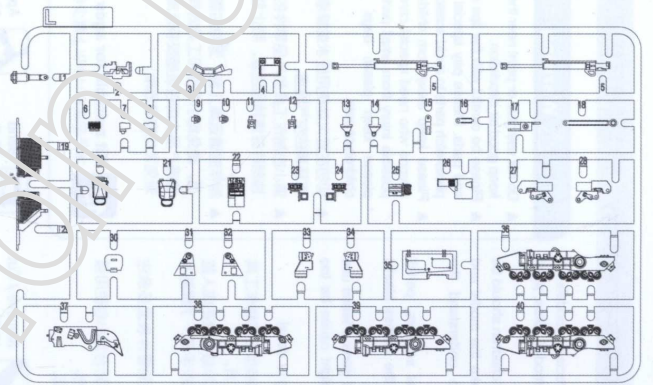
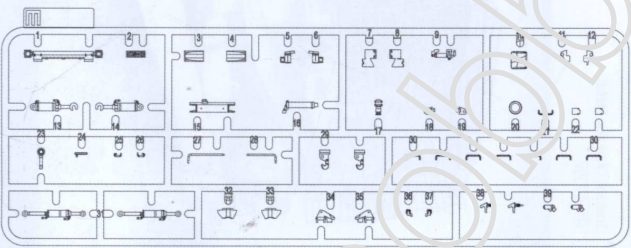
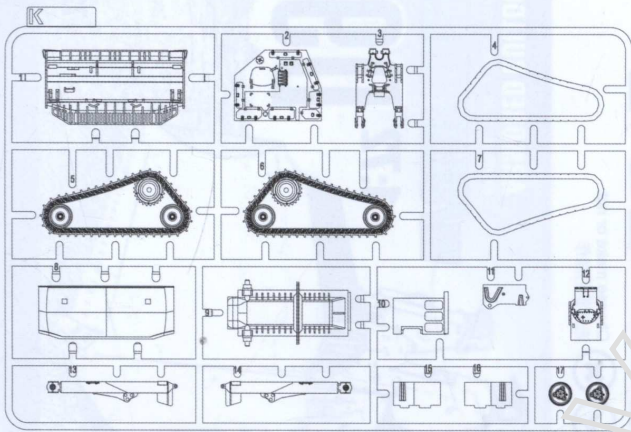
D9R

72C01

SABRE

★ Original design High-detailed PE solution
★ Products cooperated with TAKOM

PARTS

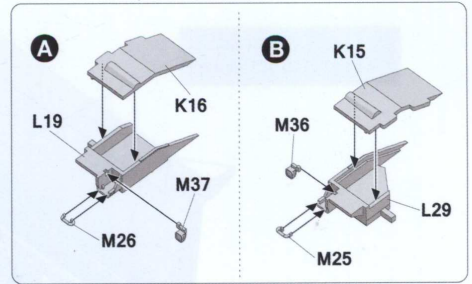
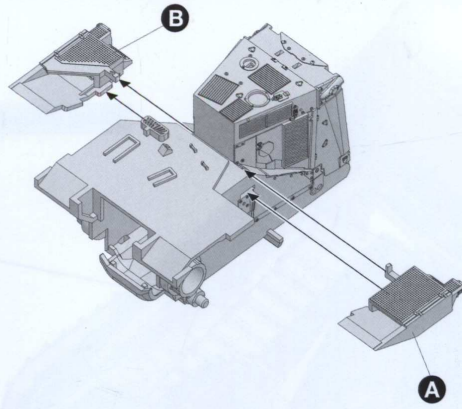
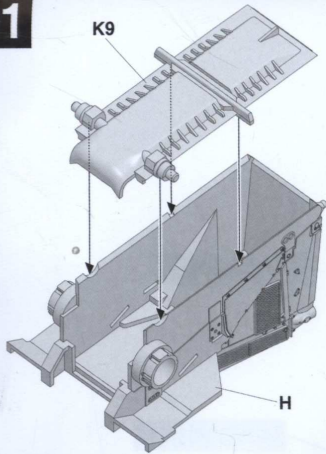


H

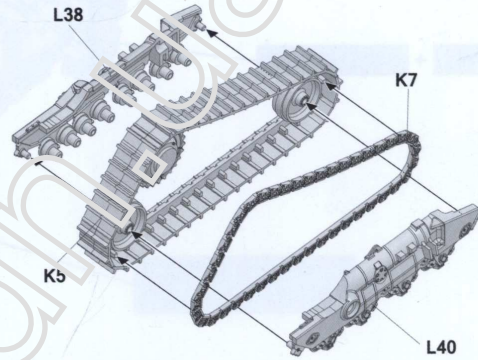
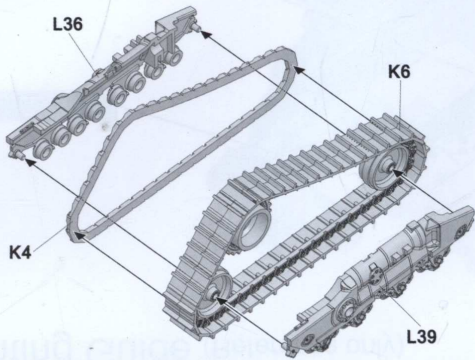


J

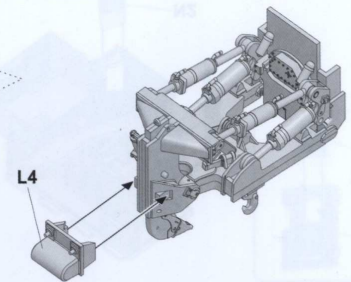
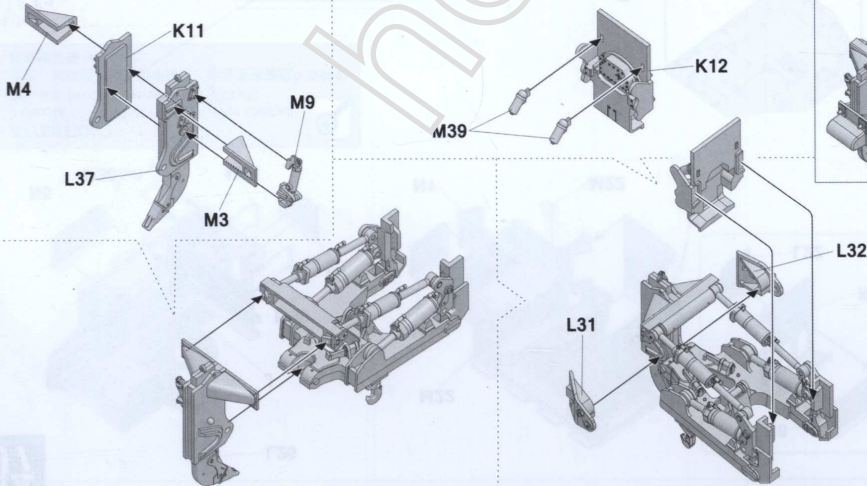
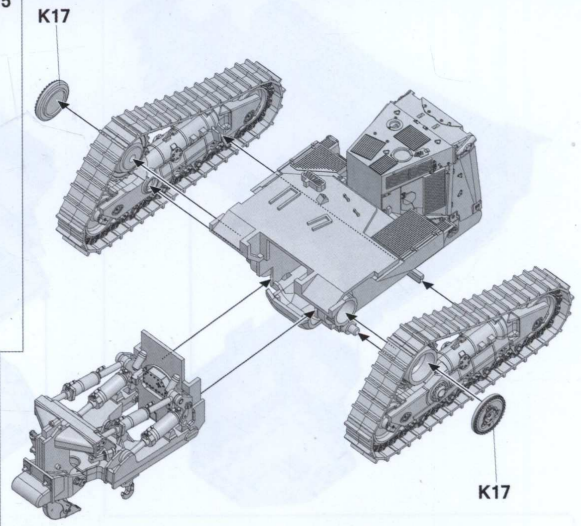
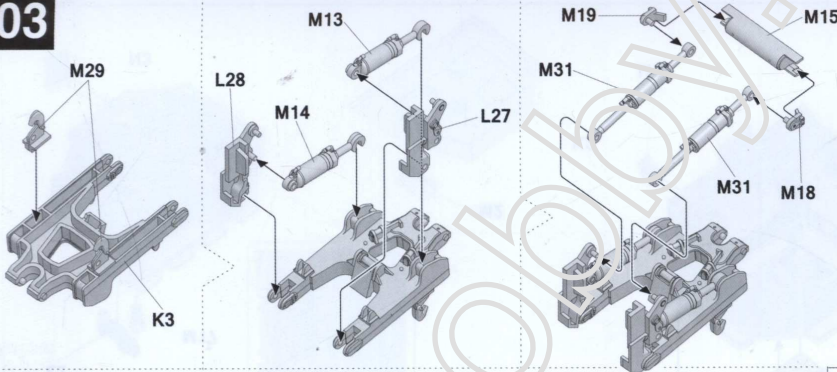
01



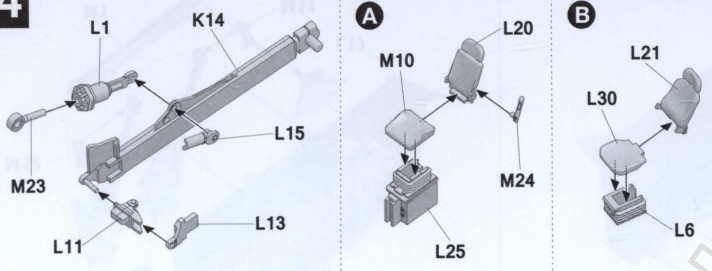
02



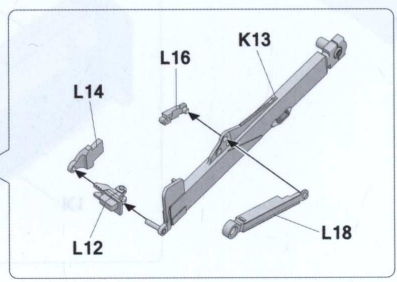
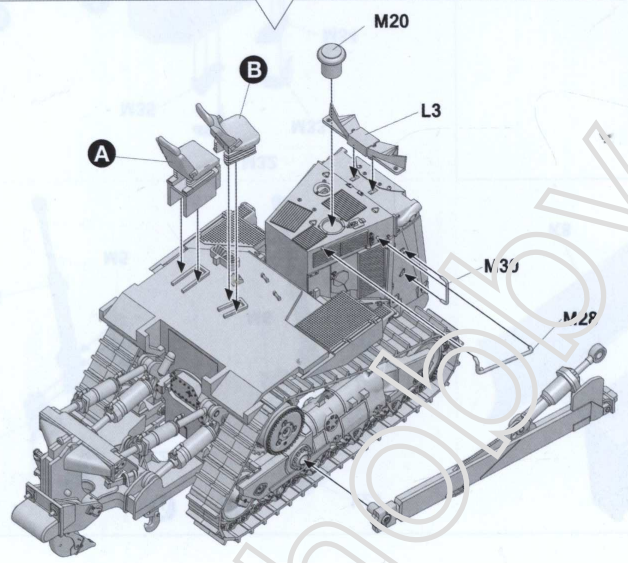
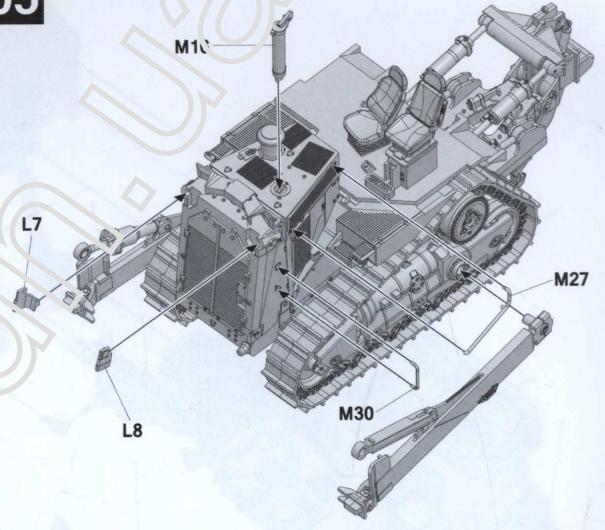
03



04

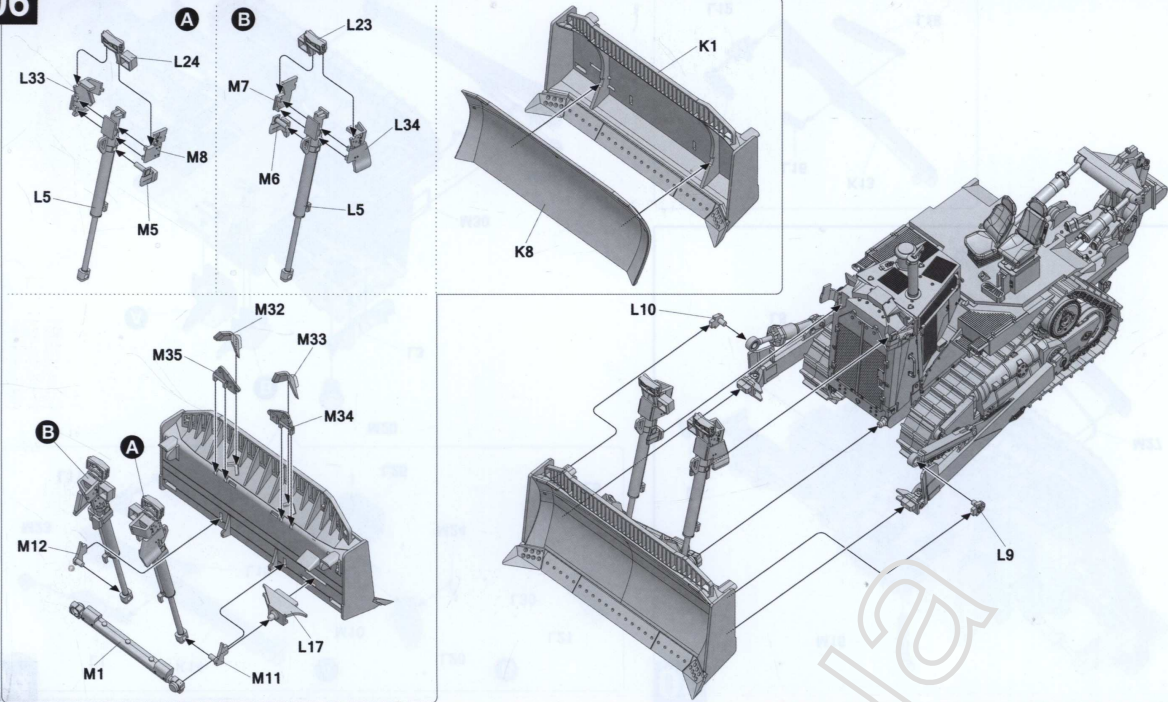


05

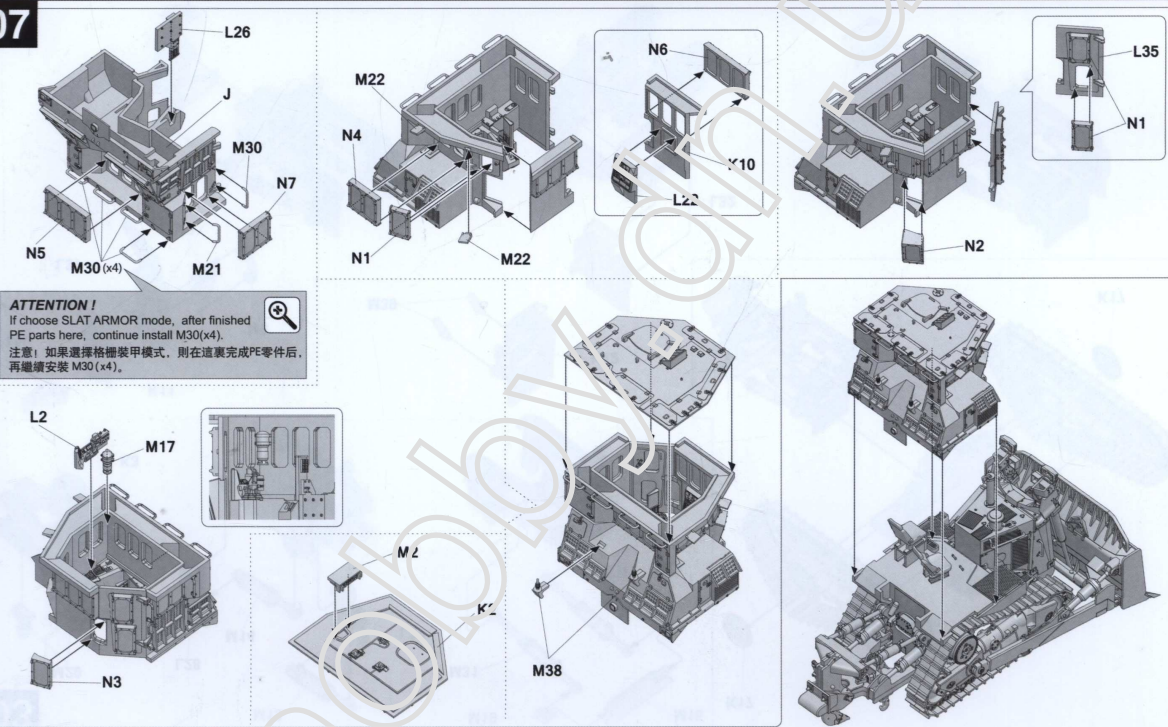


oe

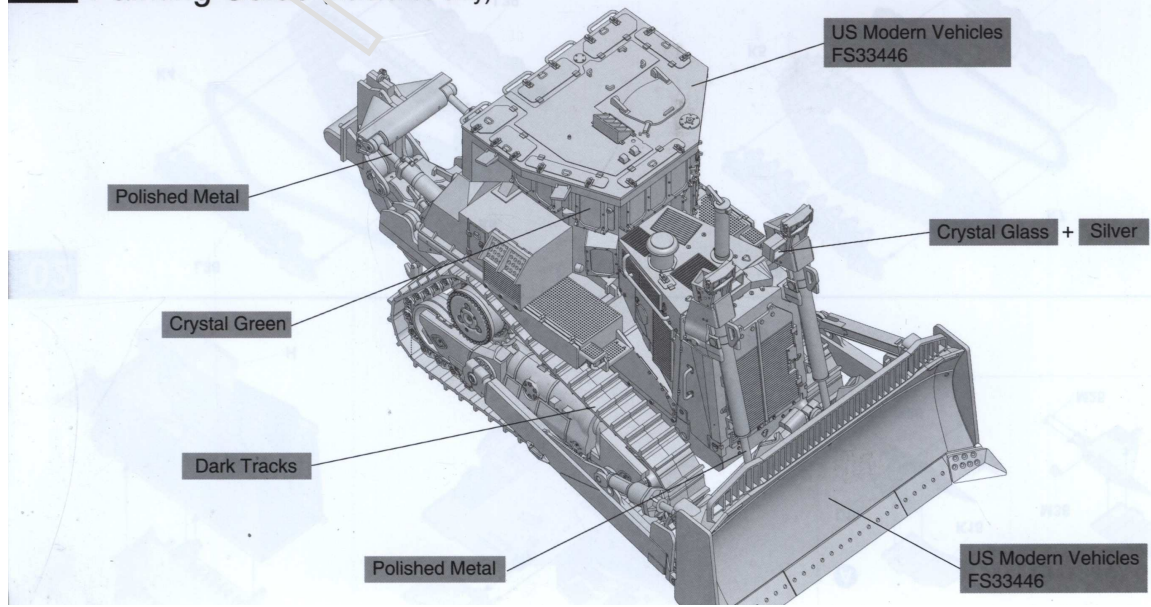
06

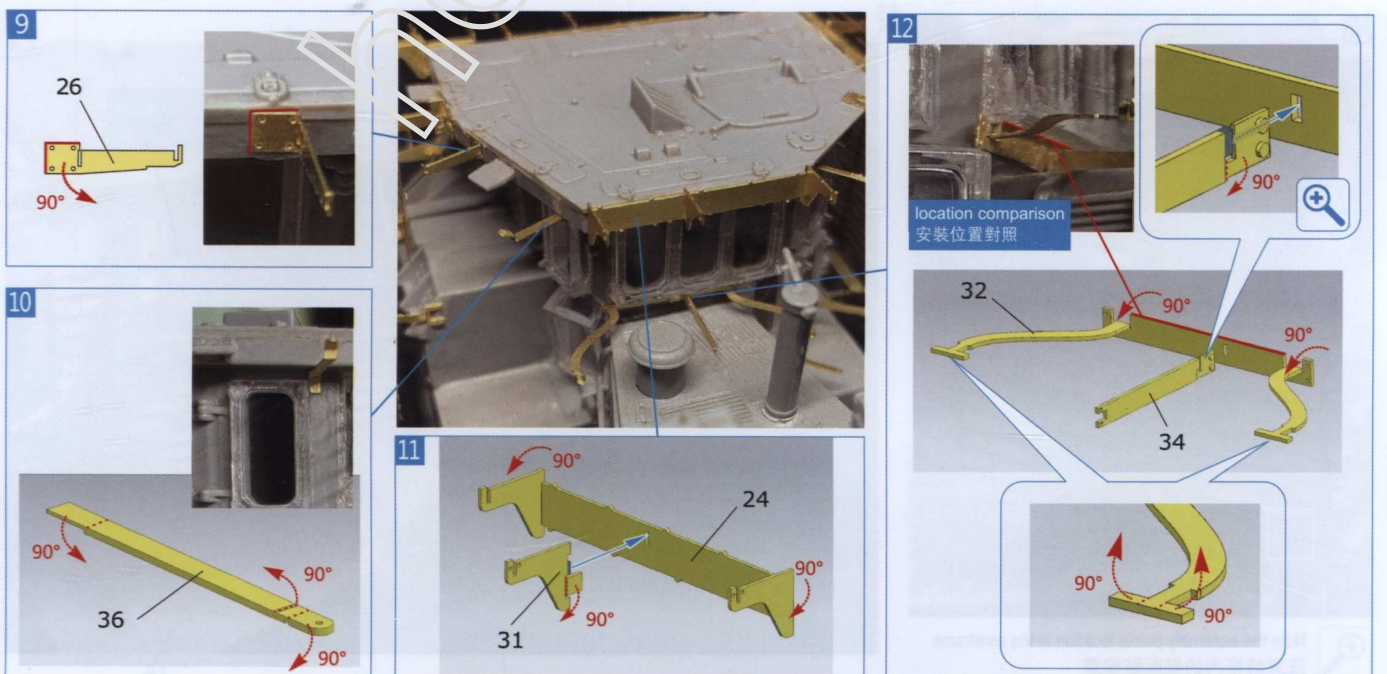
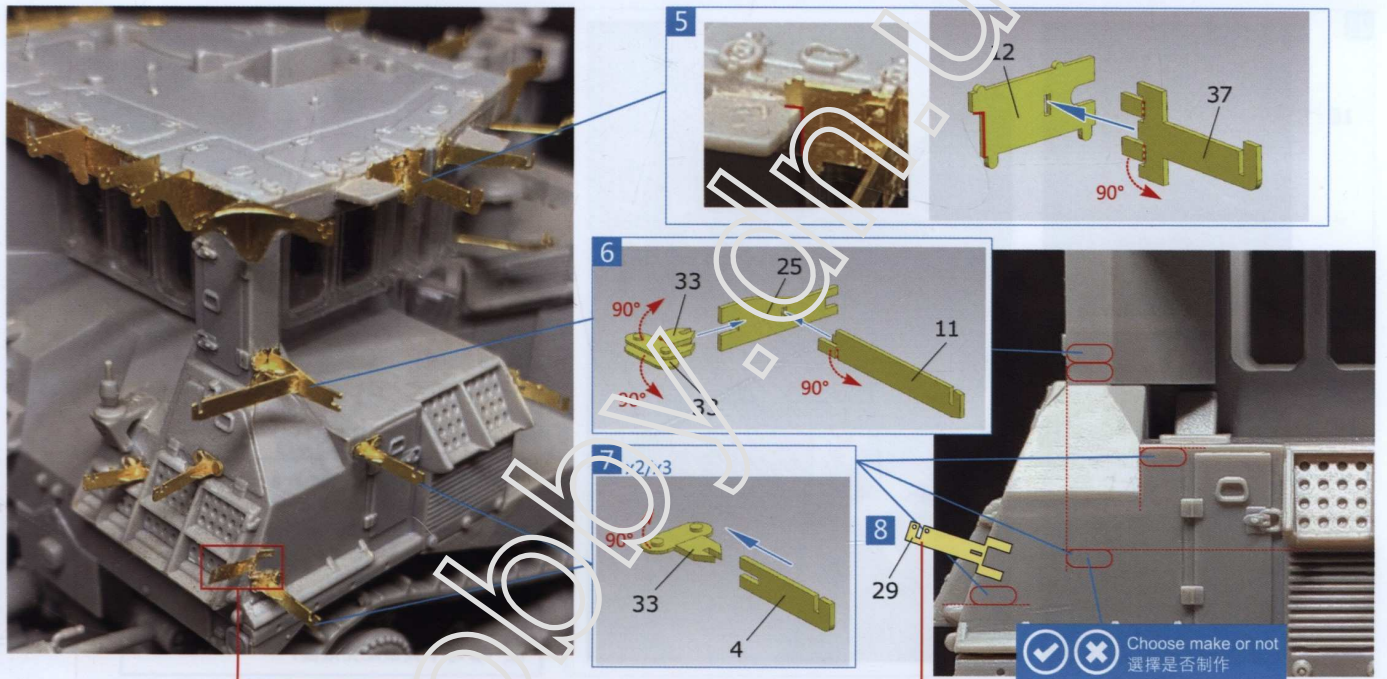
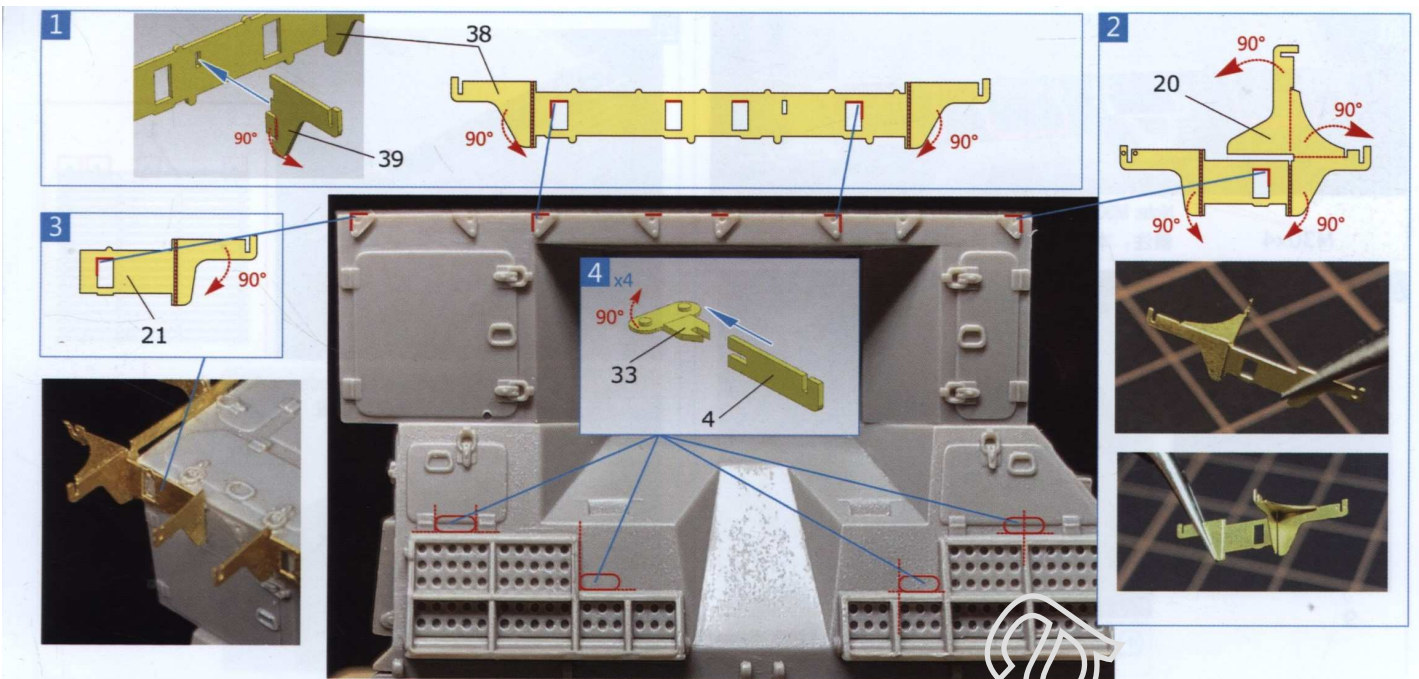


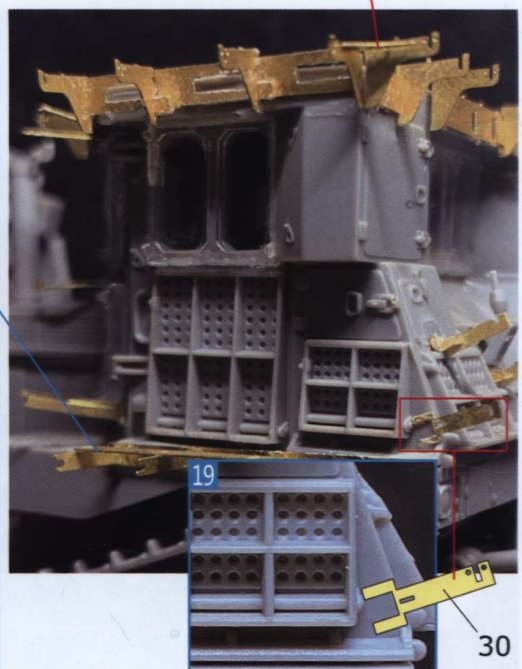
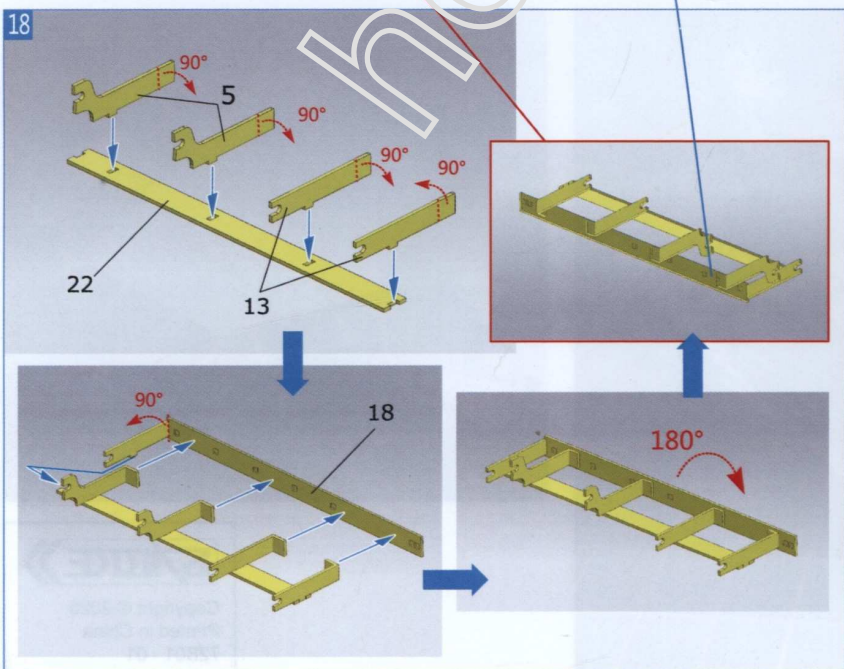
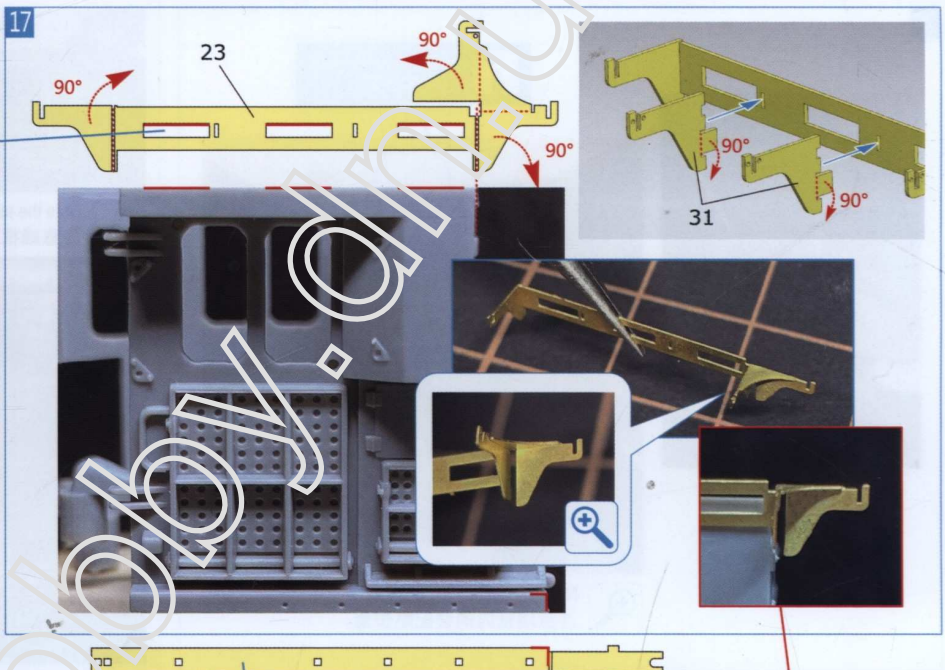
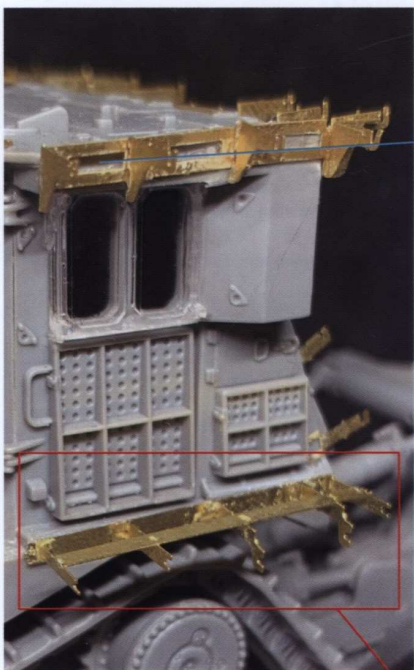
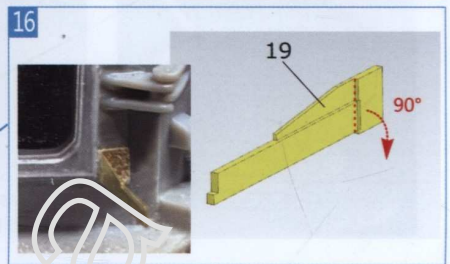
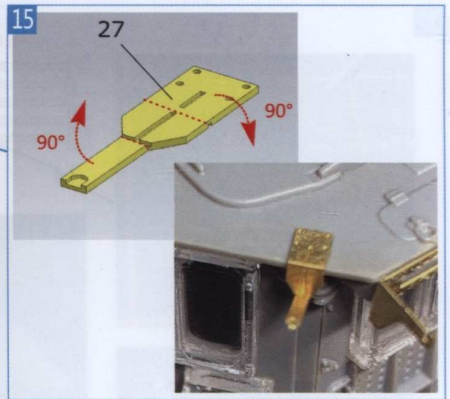
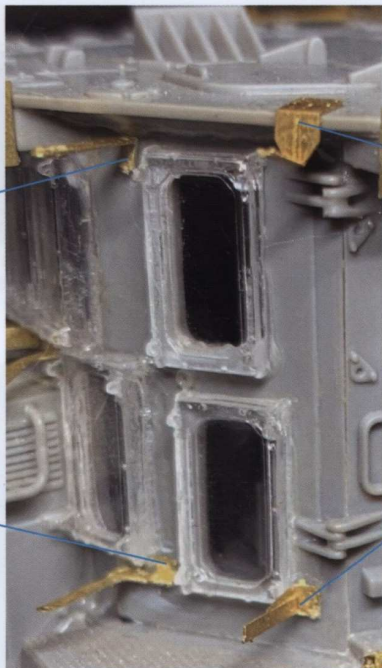
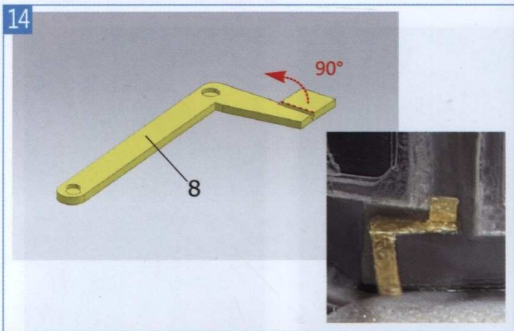
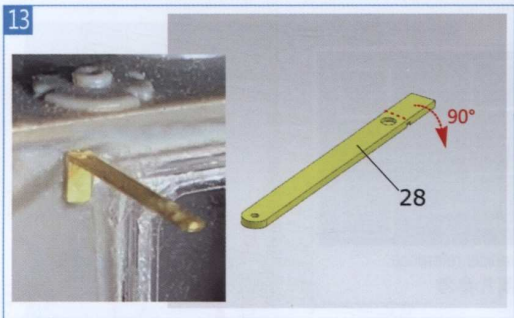
07

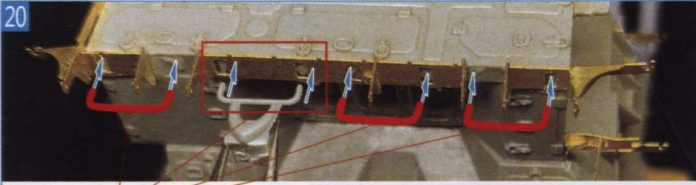


08 Painting Guide (Reference only)



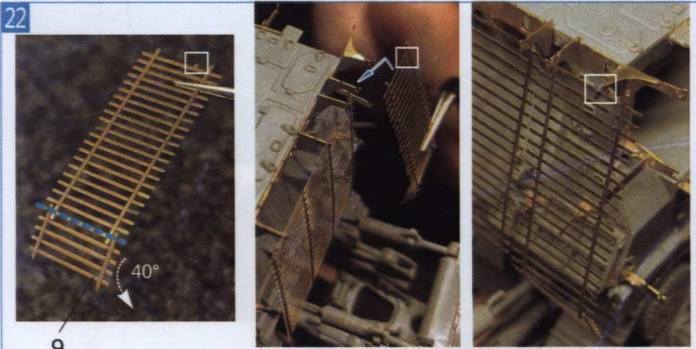






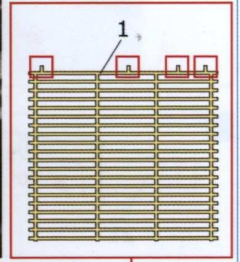
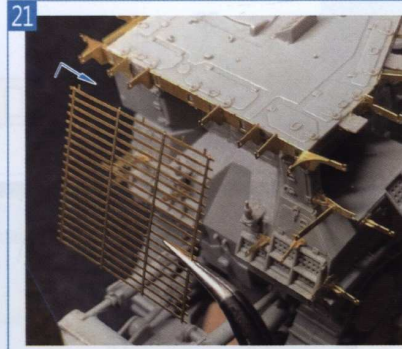
M30x4

Note: M30 parts are not installed in the samples in this manual
備注：本說明書樣品未安裝M30零件



9

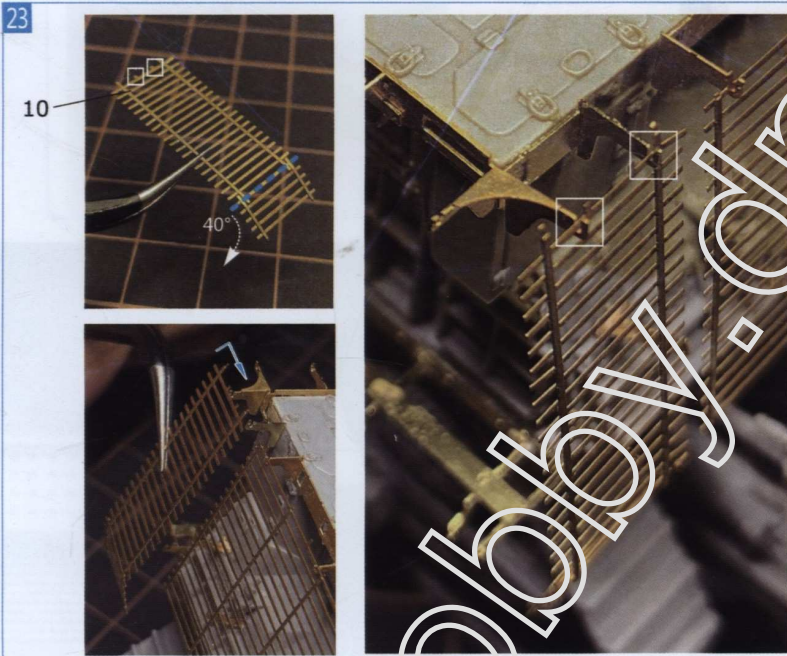
Note the assembly points location in the wireframe
注意綫框內的裝配點位置



1

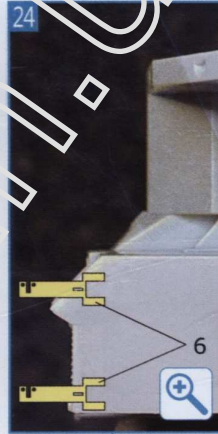


Note the assembly points location in the wireframe
注意綫框內的裝配點位置



10

40°



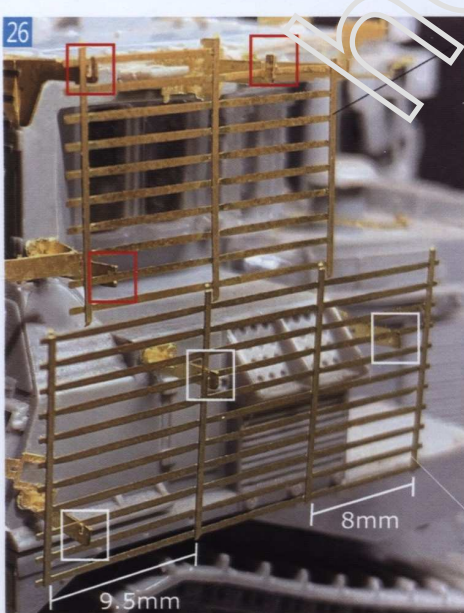
Please install the No.6 part in a suitable position according to the horizontal direction of the No.35 part, please note to the depth and height of the vehicle body (refer to the assembly completion diagram on the next page)
請根據35號零件的水平方向，在合適的位置安裝6號零件，請注意與車體的深度和高度（參考下頁裝配完成圖）



25

45°

16

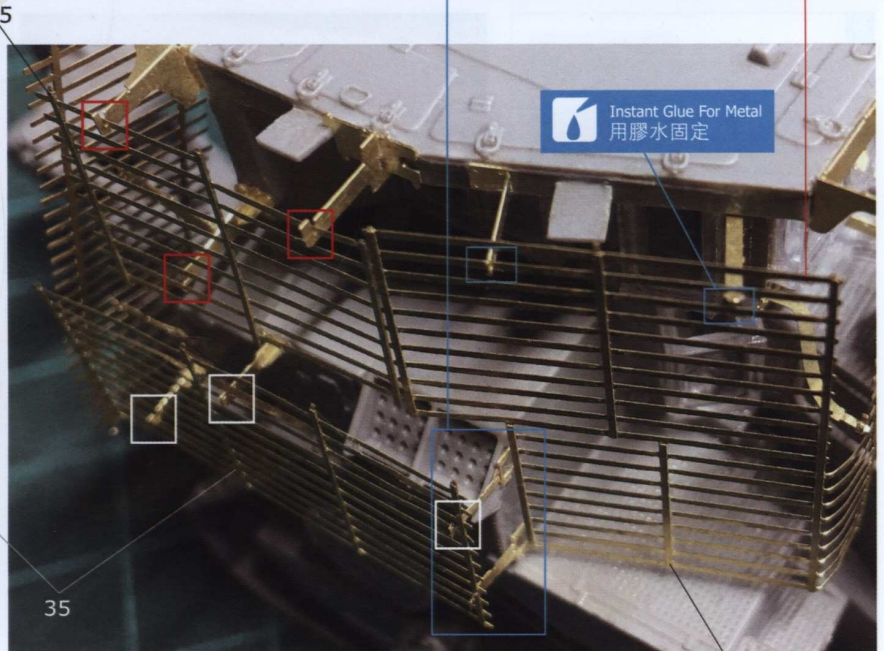


26

8mm

9.5mm

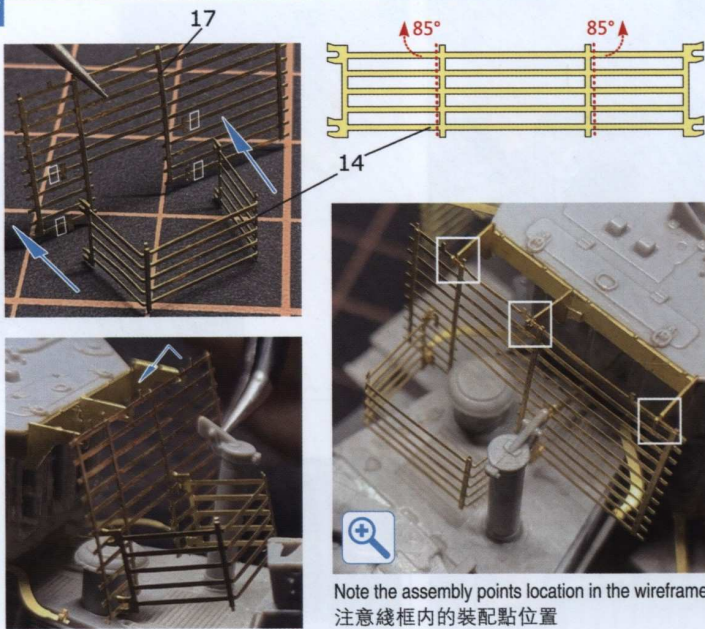
Note the assembly points location in the wireframe
注意綫框內的裝配點位置



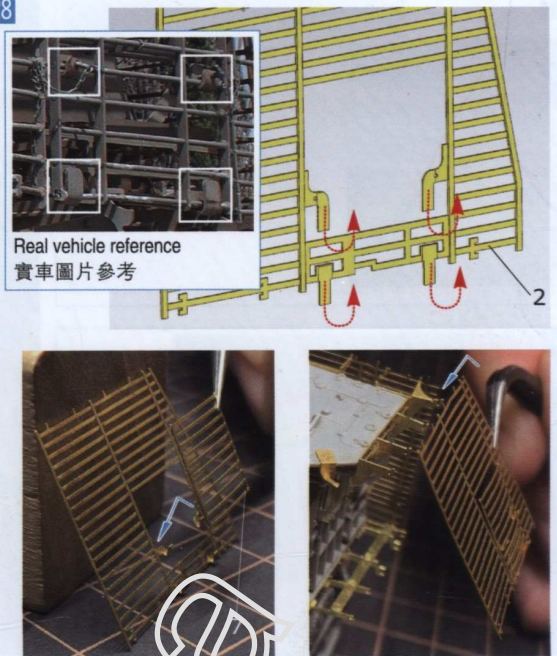
35

Instant Glue For Metal
用膠水固定

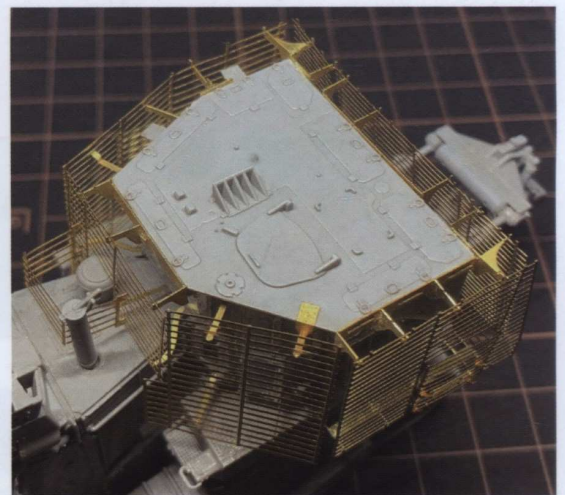
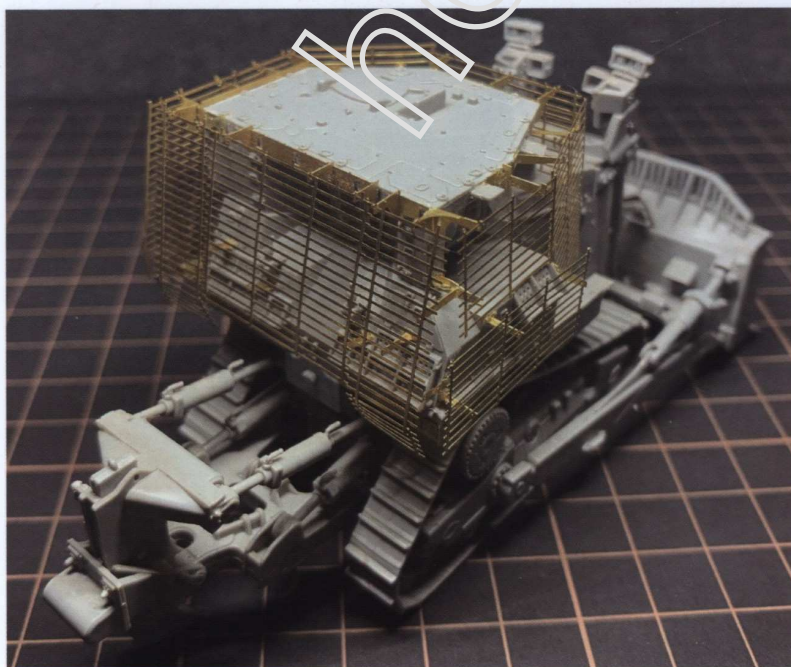
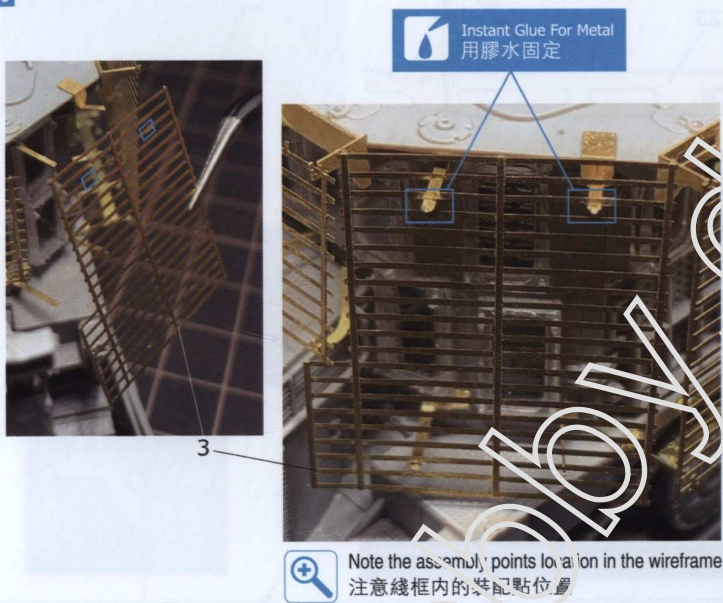
27



28



29



Copyright © 2020
 Printed in China
 72B01 - 01