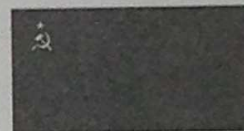




SOVA-M
SVM-14006

An-26

(VERSIONS RT,RR,Z)

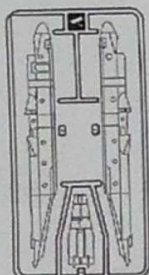


UNASSEMBLED PLASTIC MODEL KITS

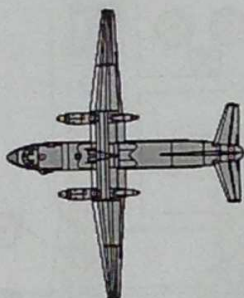
SCALE:1/144

63 parts

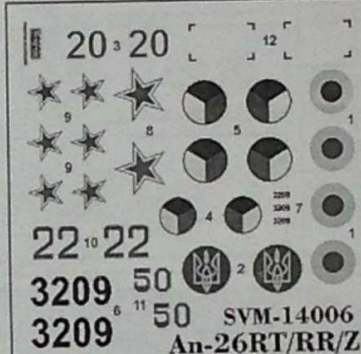
165 mm



200 mm



DECALS



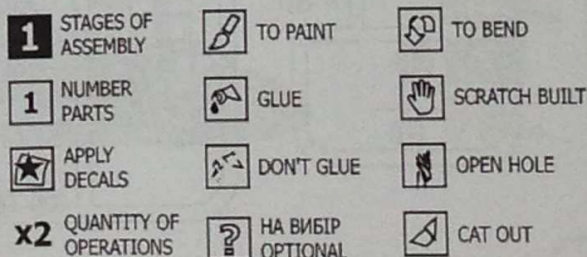
New passenger aircraft An-24 was designed by Antonov's Experimental Construction Bureau in 1959. During 1967-1971, 164 aircraft of this type were built in Irkutsk. In 1964 the designers presented the project of the new modification (An-26) that differed from the previous one with new construction of the nose and tail end. The mass production started in 1970 at Kiev aviation plant. In total 1398 aircraft of this type were built: 564 pcs were used in defense departments of USSR, 420 pcs were exported.

The model is executed on technology short run and is intended only for experienced modelers.
Word-wide distributor for Sova-M kits:
ModelSvit Balkans Ltd. 4003 Plovdiv,
Bulgaria 9, zk Maritza Gardens.
Tel. +359 32 397 069,
E-Mail: modelsvitbalkans@gmail.com
MADE IN UKRAINE

PAINTS



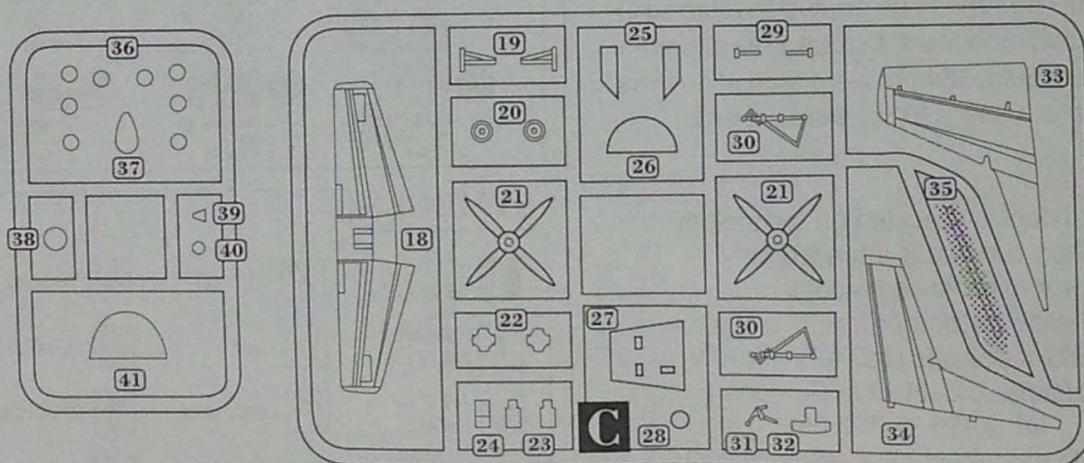
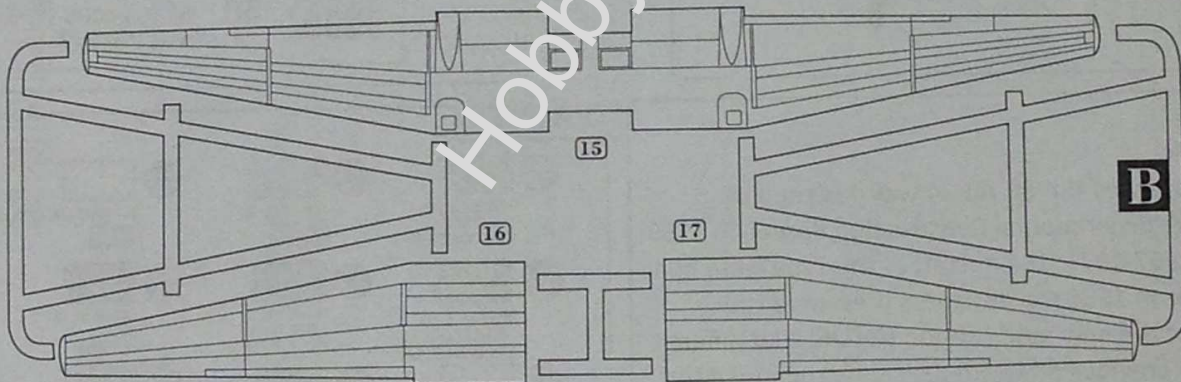
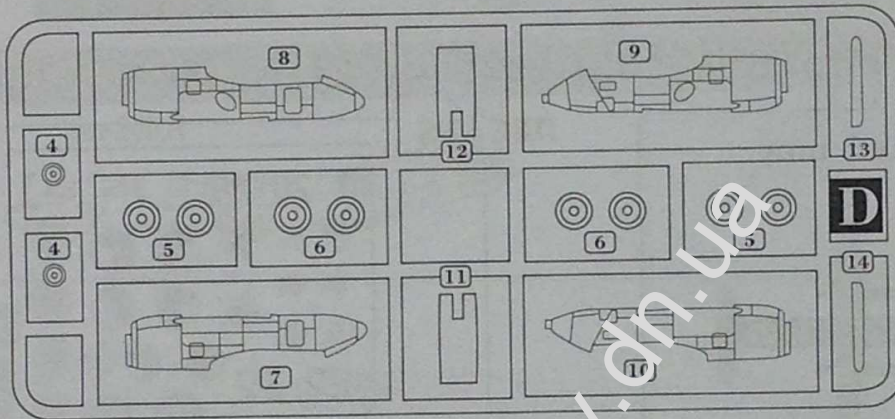
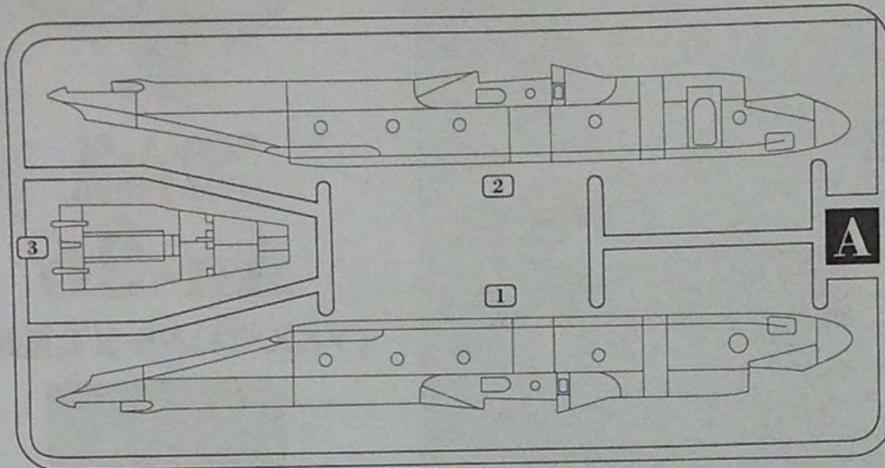
SYMBOLS



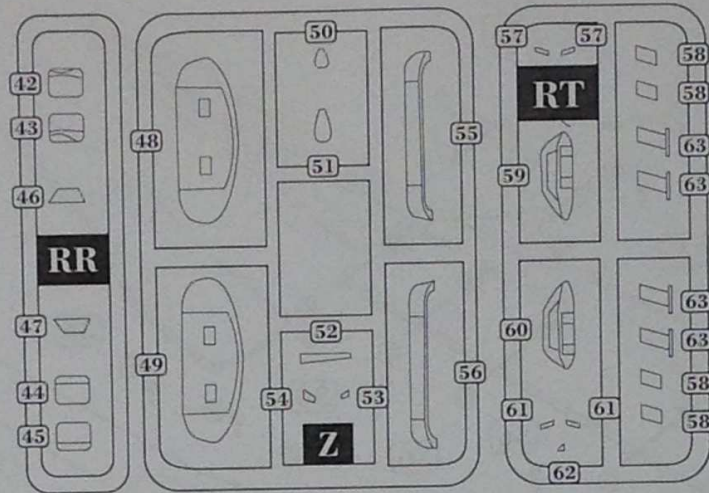
SET OF THE PARTS



PARTS NOT FOR USE



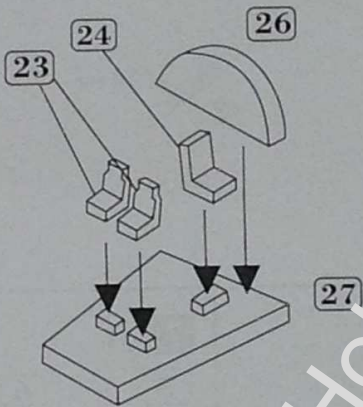
SET OF THE PARTS



ASSEMBLY INSTRUCTION

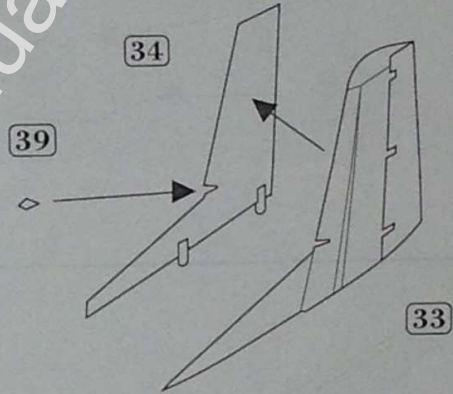
1

- 23
- 24
- 26
- 27



2

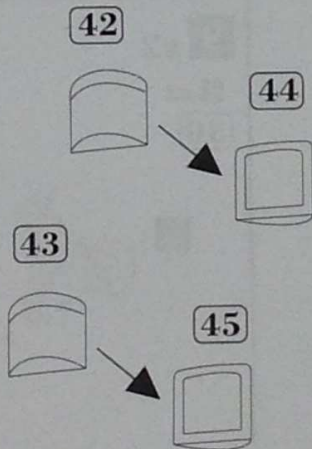
- 33
- 34
- 39



3

VERSION RR

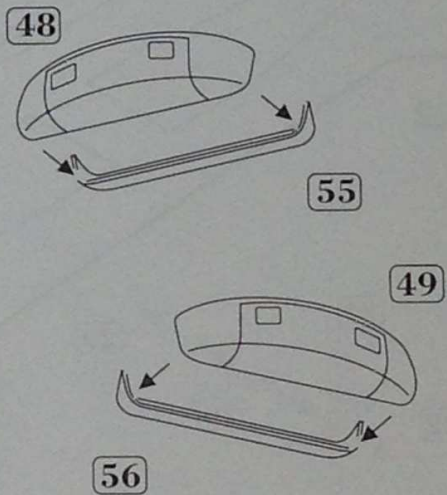
- 42
- 43
- 44
- 45



4

VERSION Z

- 48
- 49
- 55
- 56

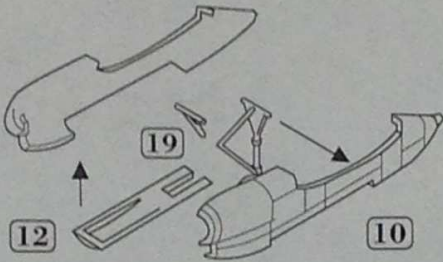


ASSEMBLY INSTRUCTION



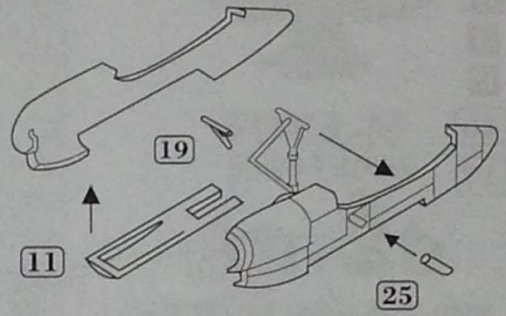
10

- 10
- 12
- 19
- 25



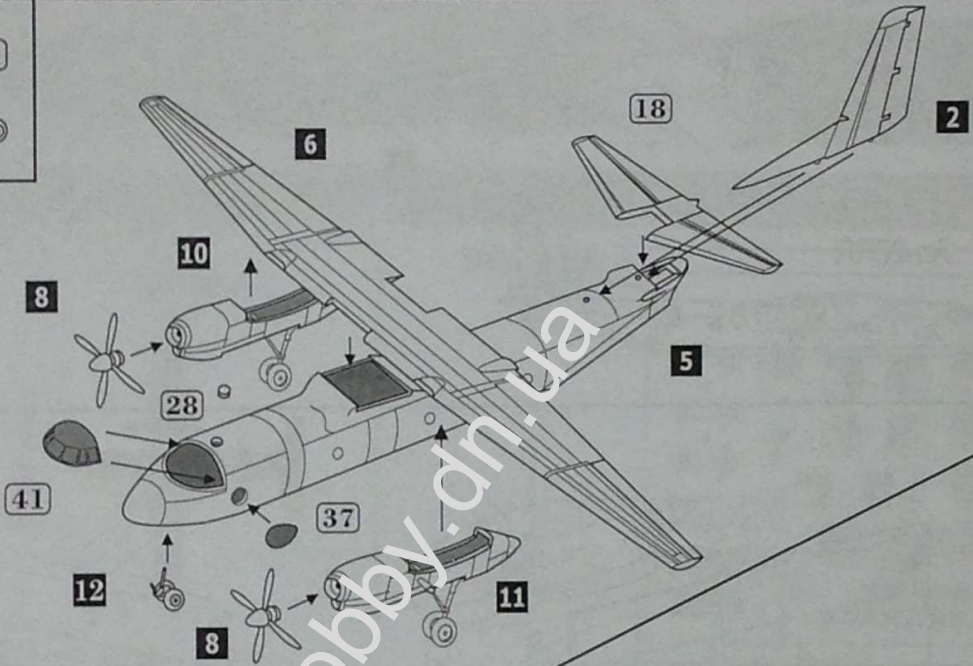
11

- 8
- 11
- 19
- 25



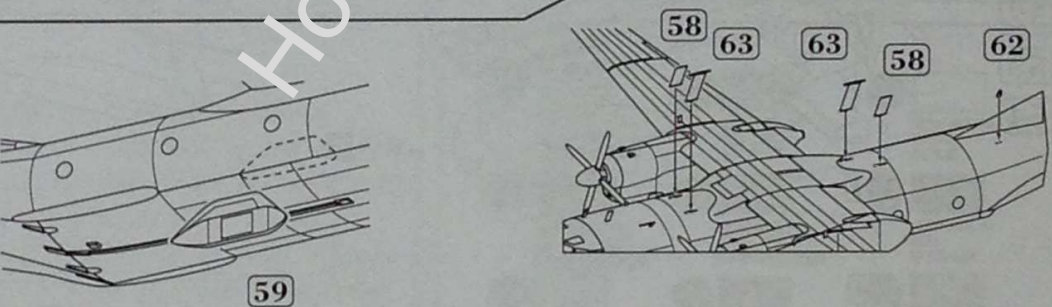
12

- 4
- 31
- 4 x2
- 31



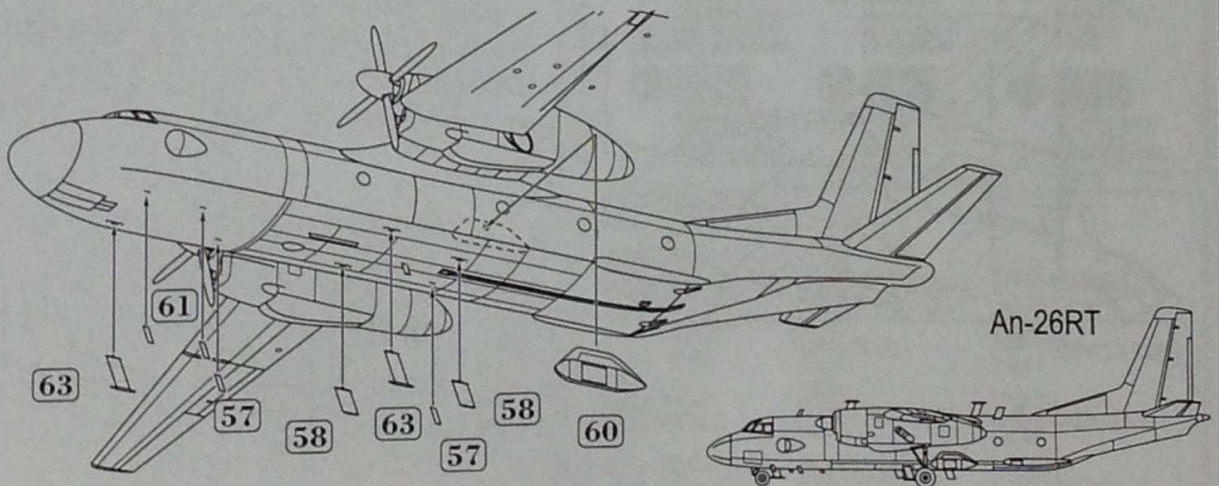
13

- 18
- 37
- 2
- 28
- 41
- 5
- 6
- 8 x2
- 10
- 11
- 12



14

- 13
- 57
- 58
- 59
- 60
- 61
- 62
- 63



An-26RT

ASSEMBLY INSTRUCTION

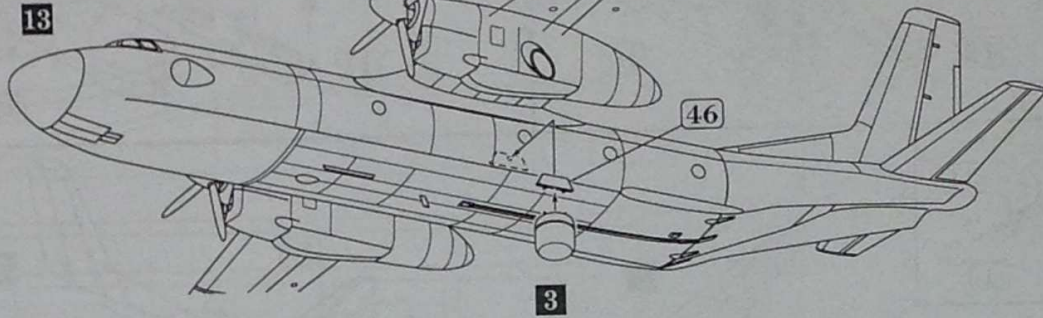
15

3

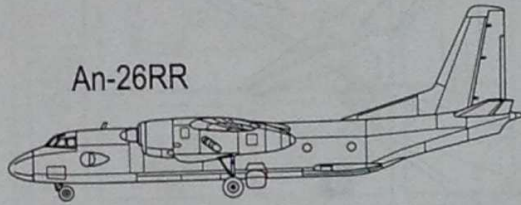
13

46

47



An-26RR



16

13

4

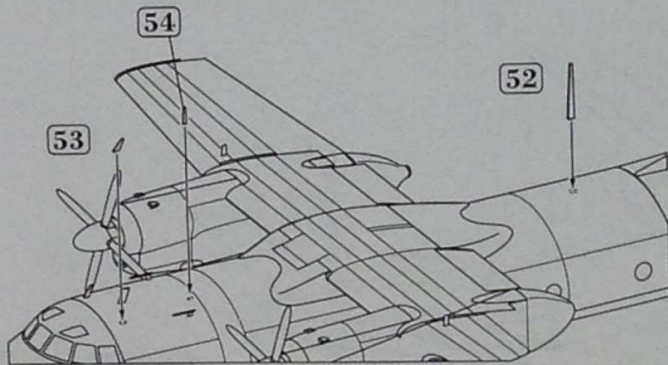
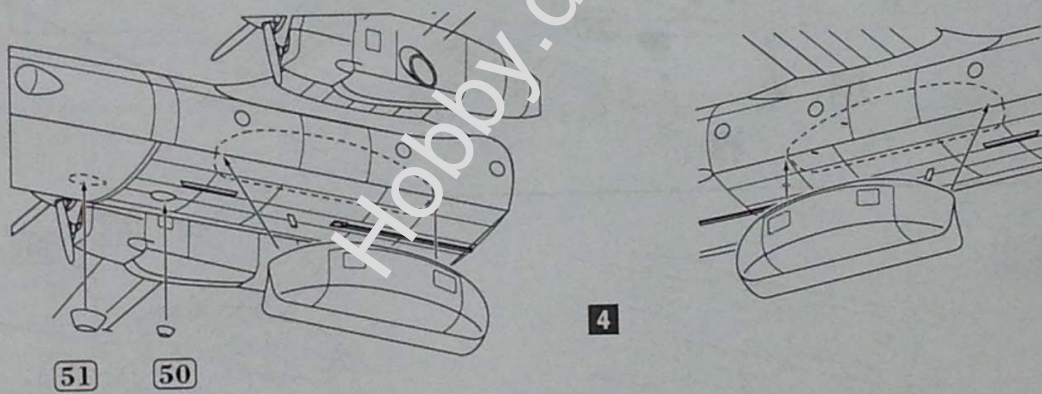
50

51

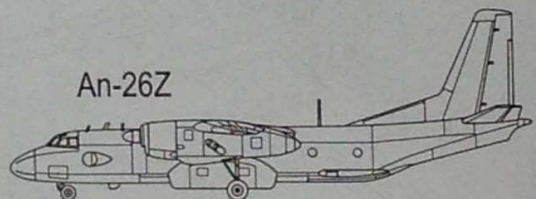
52

53

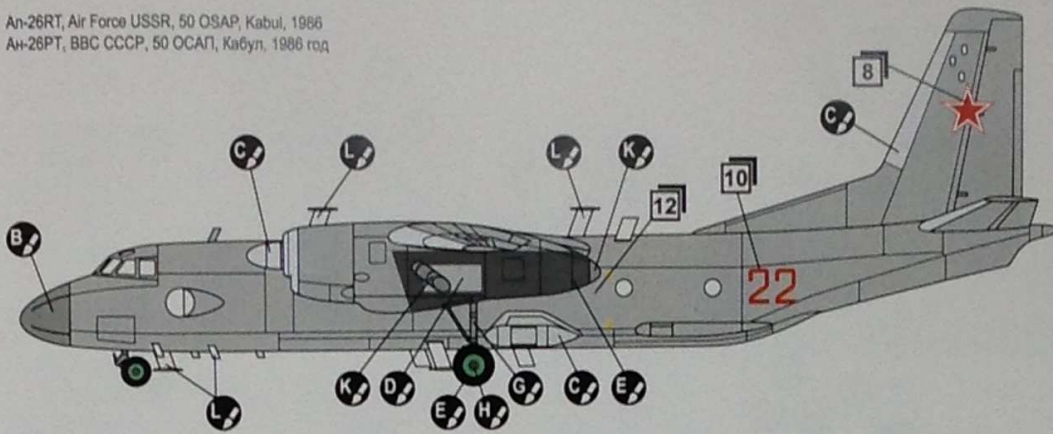
54



An-26Z

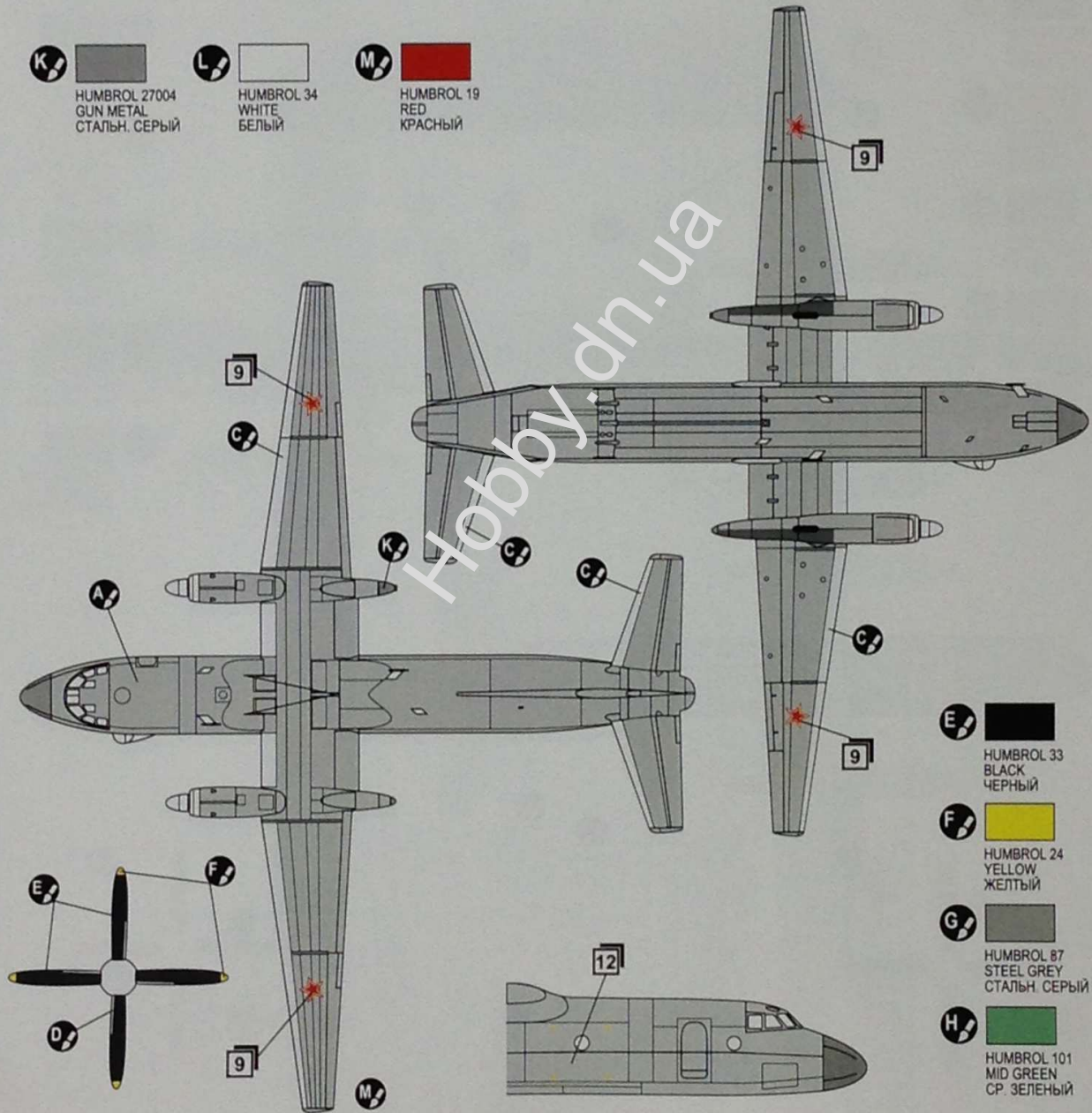


An-26RT, Air Force USSR, 50 OSAP, Kabul, 1986
 An-26PT, ВВС СССР, 50 ОСАП, Кабул, 1986 год



- A** HUMBROL 147 LIGHT GREY СВЕТЛО СЕРЫЙ
- B** HUMBROL 145 MEDIUM GREY СРЕДНЕ-СЕРЫЙ
- C** HUMBROL 27002 POL. ALUMINIUM ПОЛ. АЛЮМИНИЙ
- D** HUMBROL 27003 POLISHED STEEL ПОЛИР. СТАЛЬ

- K** HUMBROL 27004 GUN METAL СТАЛЬН. СЕРЫЙ
- L** HUMBROL 34 WHITE БЕЛЫЙ
- M** HUMBROL 19 RED КРАСНЫЙ

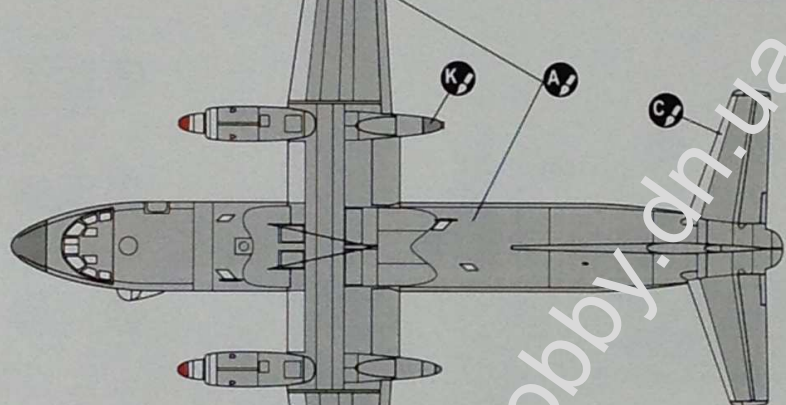
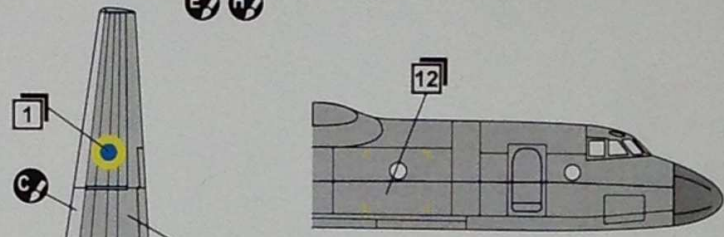


- E** HUMBROL 33 BLACK ЧЕРНЫЙ
- F** HUMBROL 24 YELLOW ЖЕЛТЫЙ
- G** HUMBROL 87 STEEL GREY СТАЛЬН. СЕРЫЙ
- H** HUMBROL 101 MID GREEN СР. ЗЕЛЕНый

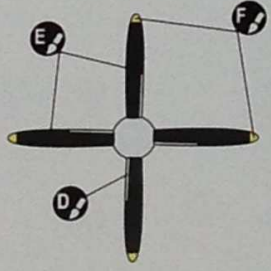
An-26RT, Air Force Ukraine, 243 OSAP, Lviv, 1992
 An-26RT, ВВС Украины, 243 ОСАП, Львов, 1992 год



- A** HUMBROL 147 LIGHT GREY СВЕТЛО СЕРЫЙ
- B** HUMBROL 145 MEDIUM GREY СРЕДНЕ-СЕРЫЙ
- C** HUMBROL 27002 POL. ALUMINIUM ПОЛ. АЛЮМИНИЙ
- D** HUMBROL 27003 POLISHED STEEL ПОЛИР. СТАЛЬ
- E** HUMBROL 33 BLACK ЧЕРНЫЙ
- F** HUMBROL 24 YELLOW ЖЕЛТЫЙ
- G** HUMBROL 87 STEEL GREY СТАЛЬН. СЕРЫЙ
- H** HUMBROL 101 MID GREEN СР. ЗЕЛЕНЫЙ
- K** HUMBROL 27004 GUN METAL СТАЛЬН. СЕРЫЙ

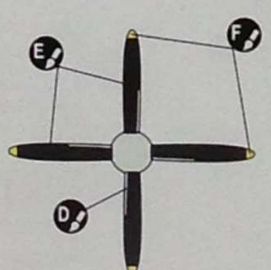
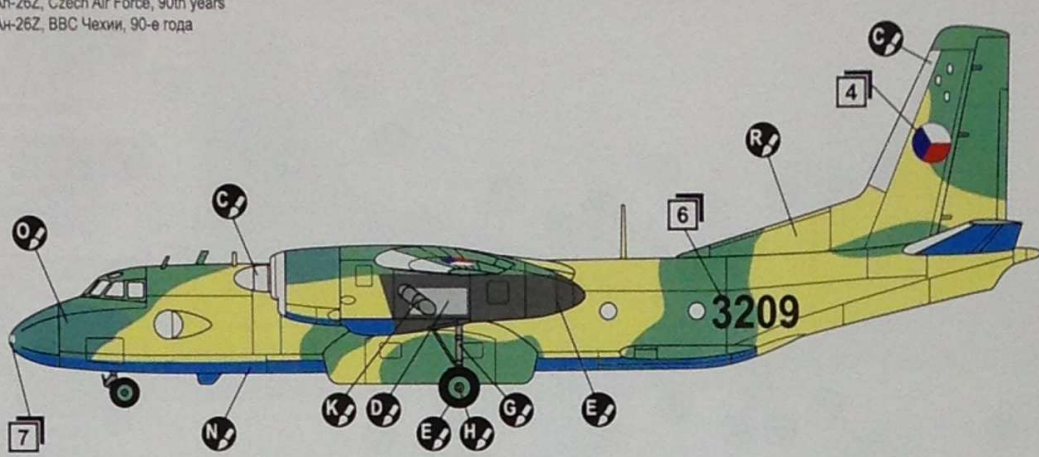


Hobby.dn.ua



- L** HUMBROL 34 WHITE БЕЛЫЙ
- M** HUMBROL 19 RED КРАСНЫЙ

An-26Z, Czech Air Force, 90th years
 Ан-26Z, ВВС Чехии, 90-е года



- C** HUMBROL 27002 POL. ALUMINIUM ПОЛ. АЛЮМИНИЙ
- D** HUMBROL 27003 POLISHED STEEL ПОЛИР. СТАЛЬ
- E** HUMBROL 33 BLACK ЧЕРНЫЙ
- F** HUMBROL 24 YELLOW ЖЕЛТЫЙ
- G** HUMBROL 87 STEEL GREY СТАЛЬН. СЕРЫЙ
- H** HUMBROL 101 MID GREEN СР. ЗЕЛЕНЫЙ
- K** HUMBROL 27004 GUN METAL СТАЛЬН. СЕРЫЙ
- N** HUMBROL 65 LIGHT BLUE СВ.-ГОЛУБОЙ
- O** HUMBROL 30 DARK GREEN ТЕМ. ЗЕЛЕНЫЙ

- P** HUMBROL 102 GREEN ЗЕЛЕНЫЙ
- R** HUMBROL 63 SAND ПЕСОЧНЫЙ