



LIMITED EDITION

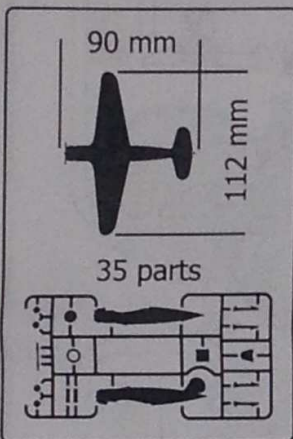
SOVA-M
SVM-14017

GA-43
Clark



UNASSEMBLED PLASTIC MODEL KITS

SCALE:1/144



DECALS



THREE VERSIONS
OF COLOURING

In 1930, General Aviation designed a 10-seat passenger aircraft, designated a General Aviation G.A.43. The maiden flight of the prototype aircraft (NX775N) took place on 22nd of May, 1932. For the early 1930s, the aircraft had very advanced onboard equipment, which included a full set of flight instruments for "Non-visual" flight, radio and transmitting equipment, as well as a short-wave receiver for promptly receiving weather forecasts and radio beacon signals. Sadly, the plane did not reach commercial success – only five machines of that type were built.

The model is executed on technology short run and is intended only for experienced modelers.

Word-wide distributor for Sova-M kits:
ModelSvit Balkans Ltd. 4003 Plovdiv,
Bulgaria 9, zK Maritza Gardens.
Tel. +359 32 397 069,
E-Mail: modelsvitbalkans@gmail.com
MADE IN UKRAINE

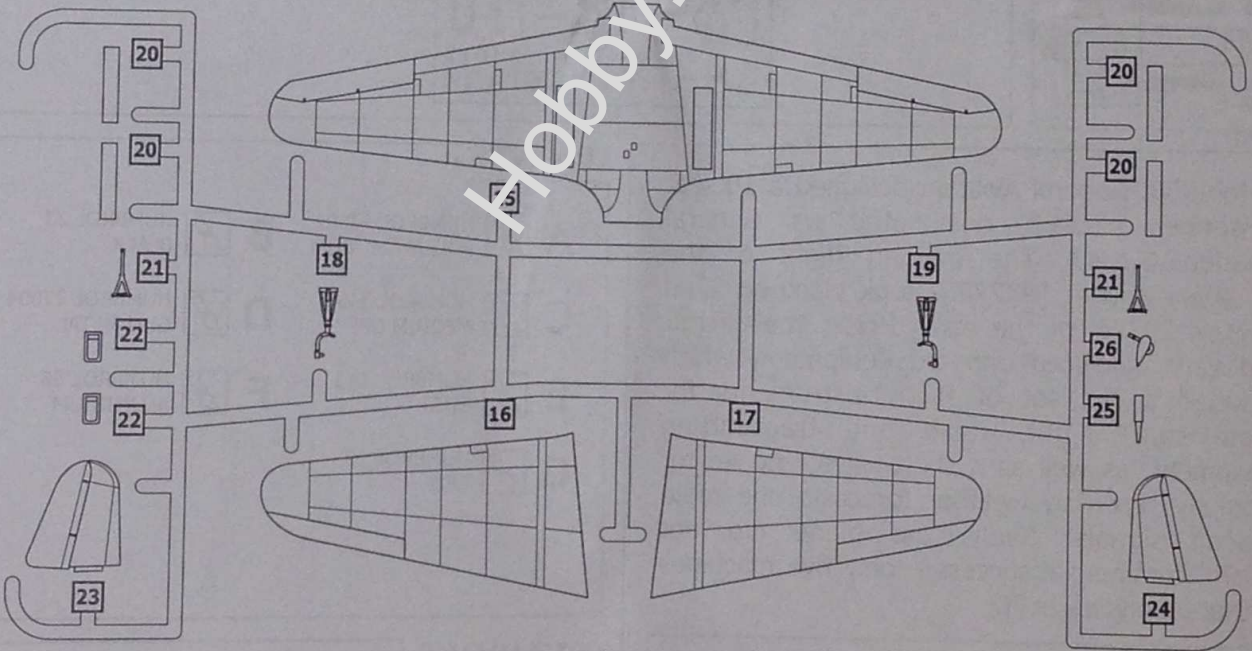
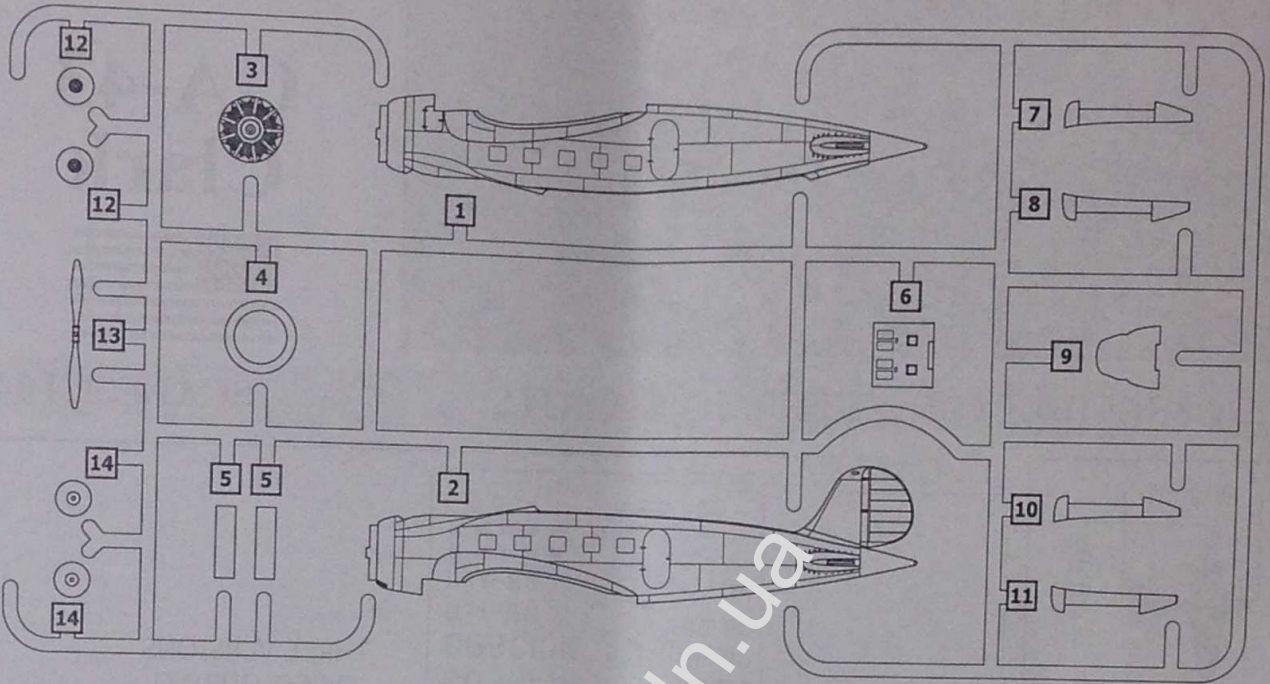
PAINTS

- | | | | |
|----------|---------------------------------|----------|----------------------------|
| A | HUMBROL 27002
POL. ALUMINIUM | B | HUMBROL 33
BLACK |
| C | HUMBROL 145
MEDIUM GREY | D | HUMBROL 27004
GUN METAL |
| E | HUMBROL 113
RUST | F | HUMBROL 56
ALUMINIUM |
| G | HUMBROL 19
RED | | |

SYMBOLS

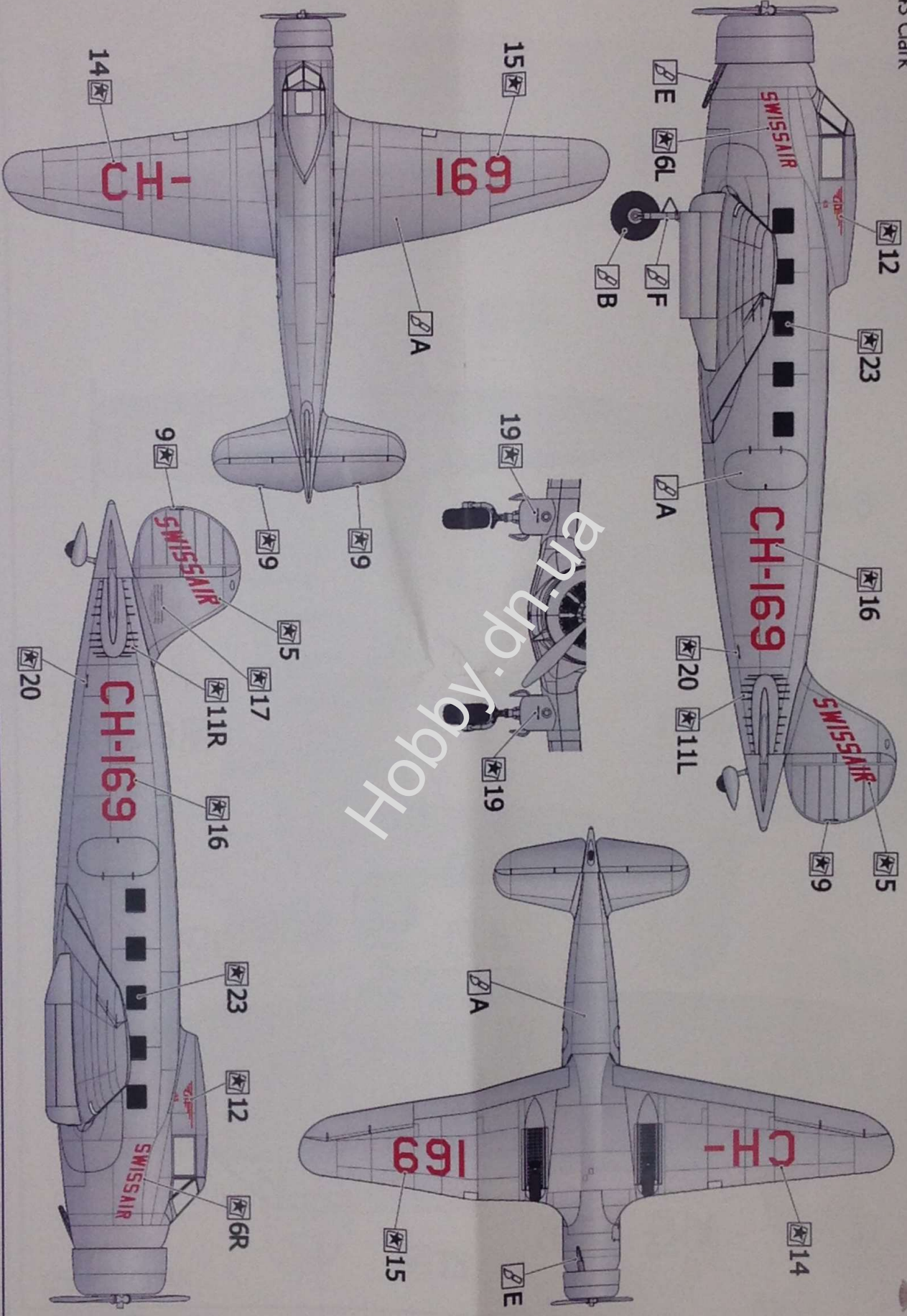
- | | | | |
|-----------|------------------------|-------------------|---------------|
| 1 | STAGES OF ASSEMBLY | TO PAINT | TO BEND |
| 1 | NUMBER PARTS | GLUE | SCRATCH BUILT |
| | APPLY DECALS | DON'T GLUE | OPEN HOLE |
| x2 | QUANTITY OF OPERATIONS | HA BИBIP OPTIONAL | CAT OUT |

SET OF THE PARTS



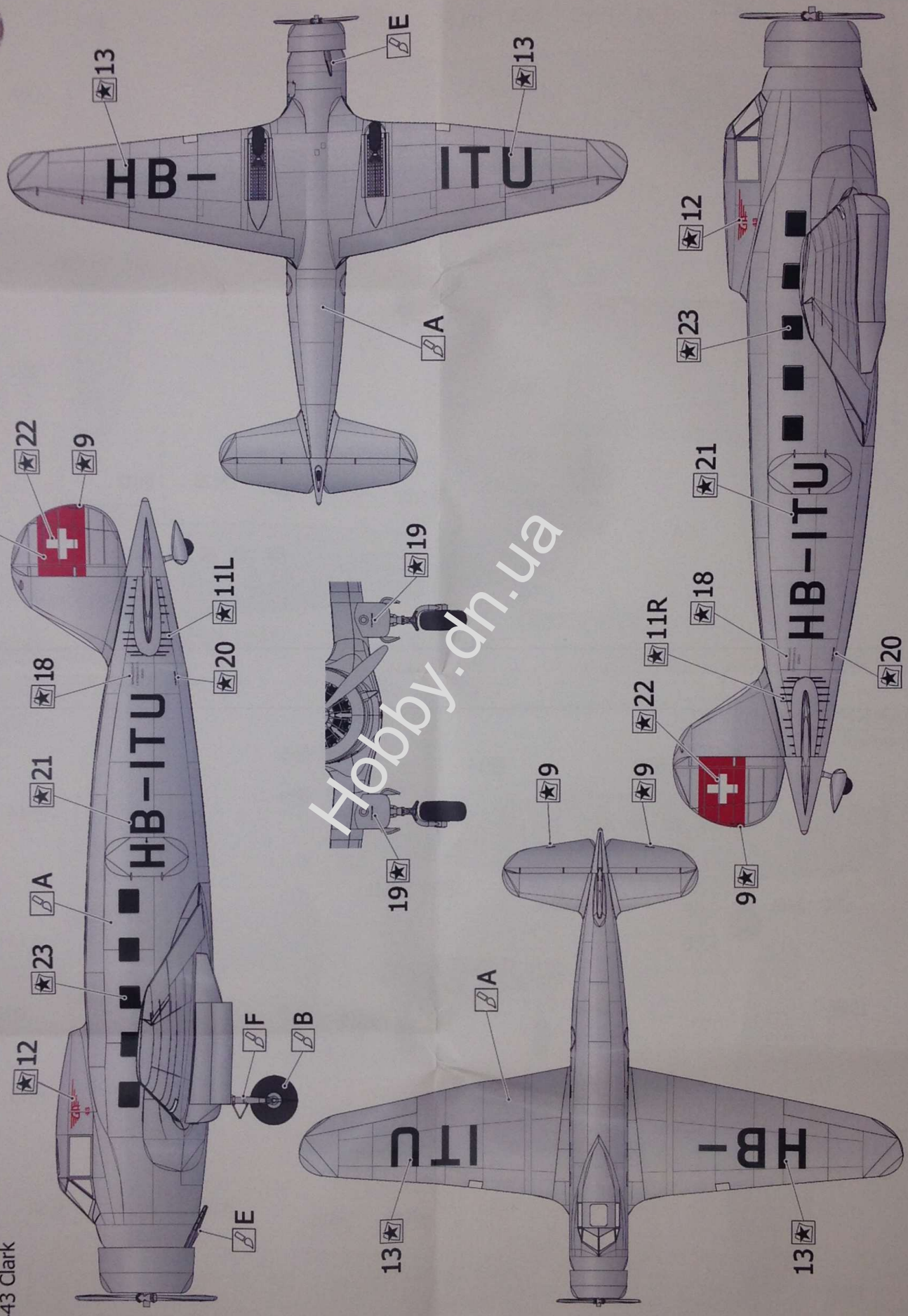
MARKING & PAINTING

GA-43 Clark



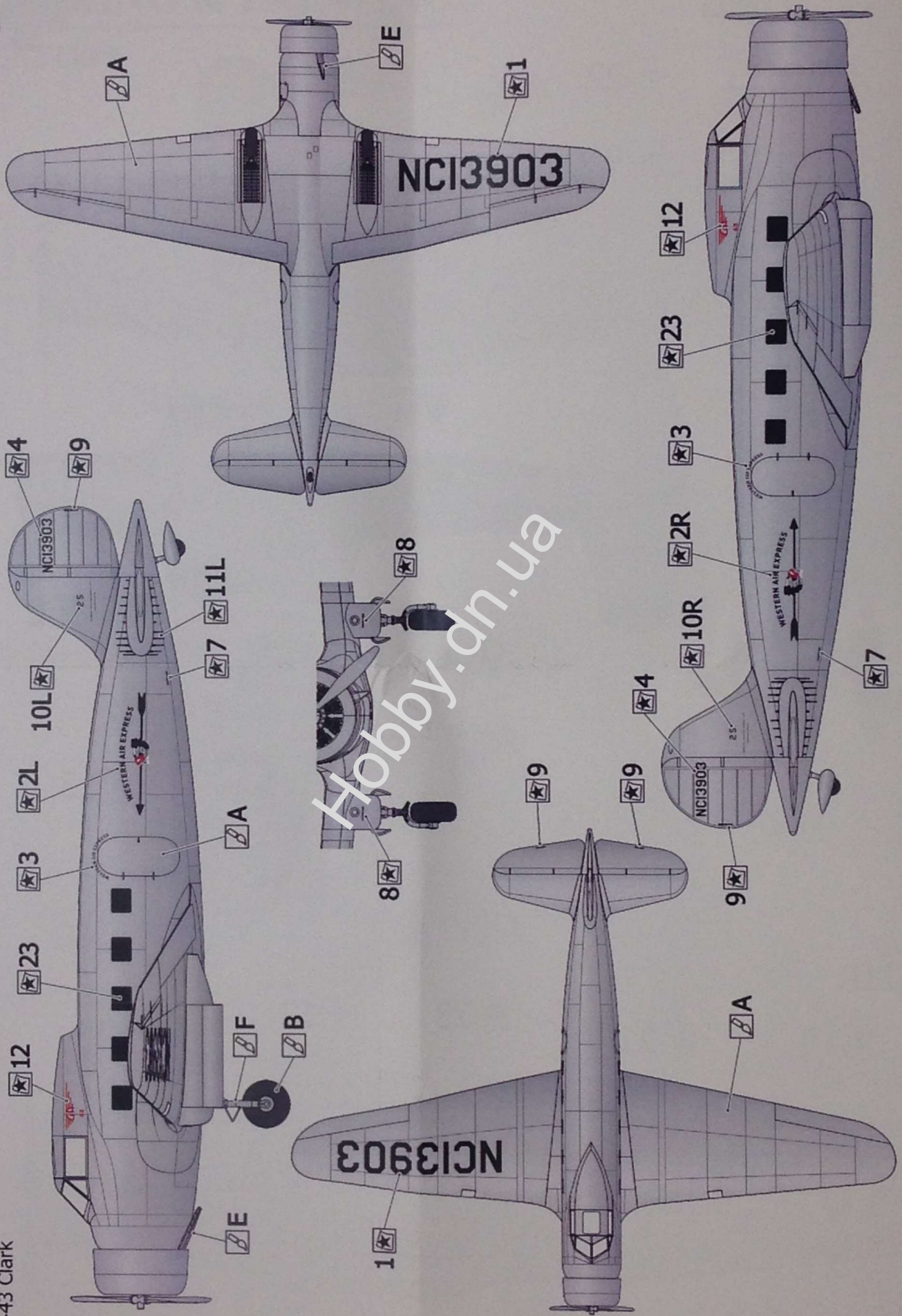
MARKING & PAINTING

GA-43 Clark



MARKING & PAINTING

GA-43 Clark

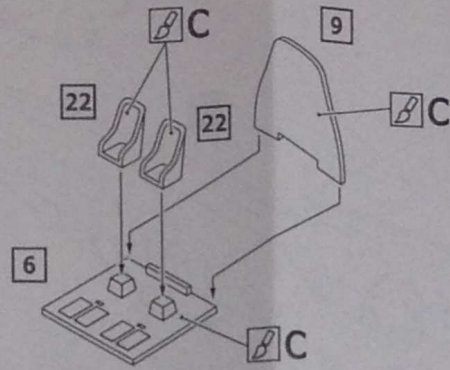


Hobby.dn.ua

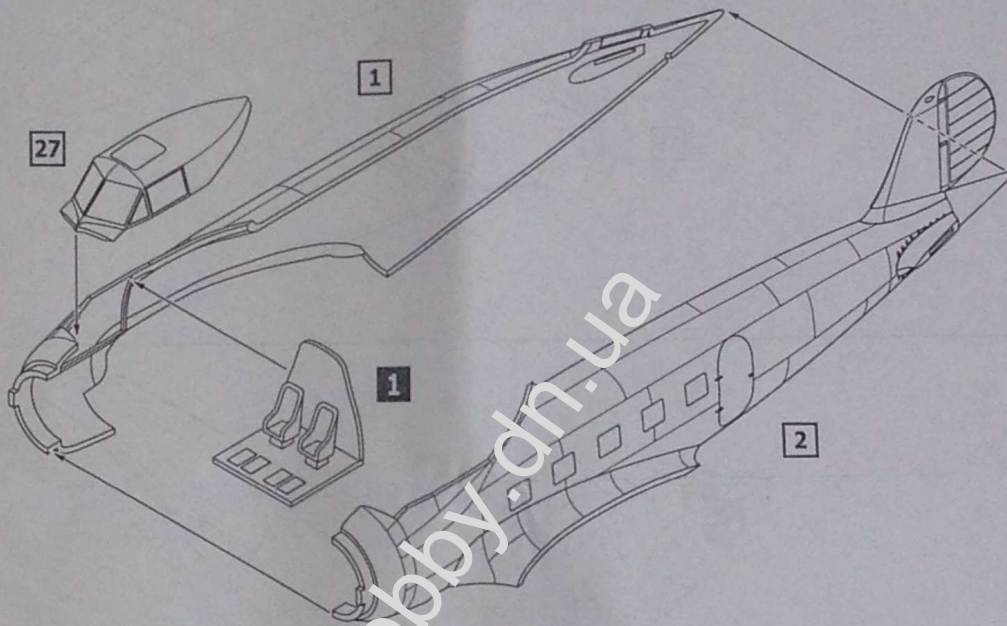
ASSEMBLY INSTRUCTION



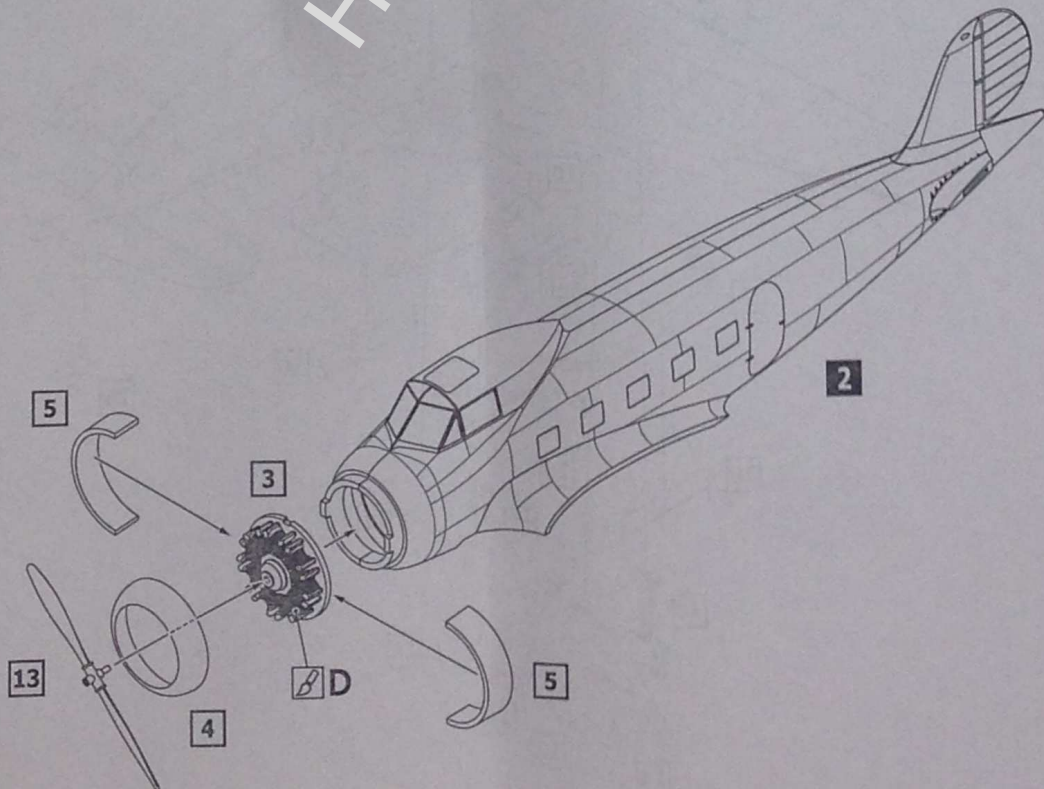
- 1**
- 6**
- 9**
- 22** x2



- 2**
- 1**
- 1**
- 2**
- 27**



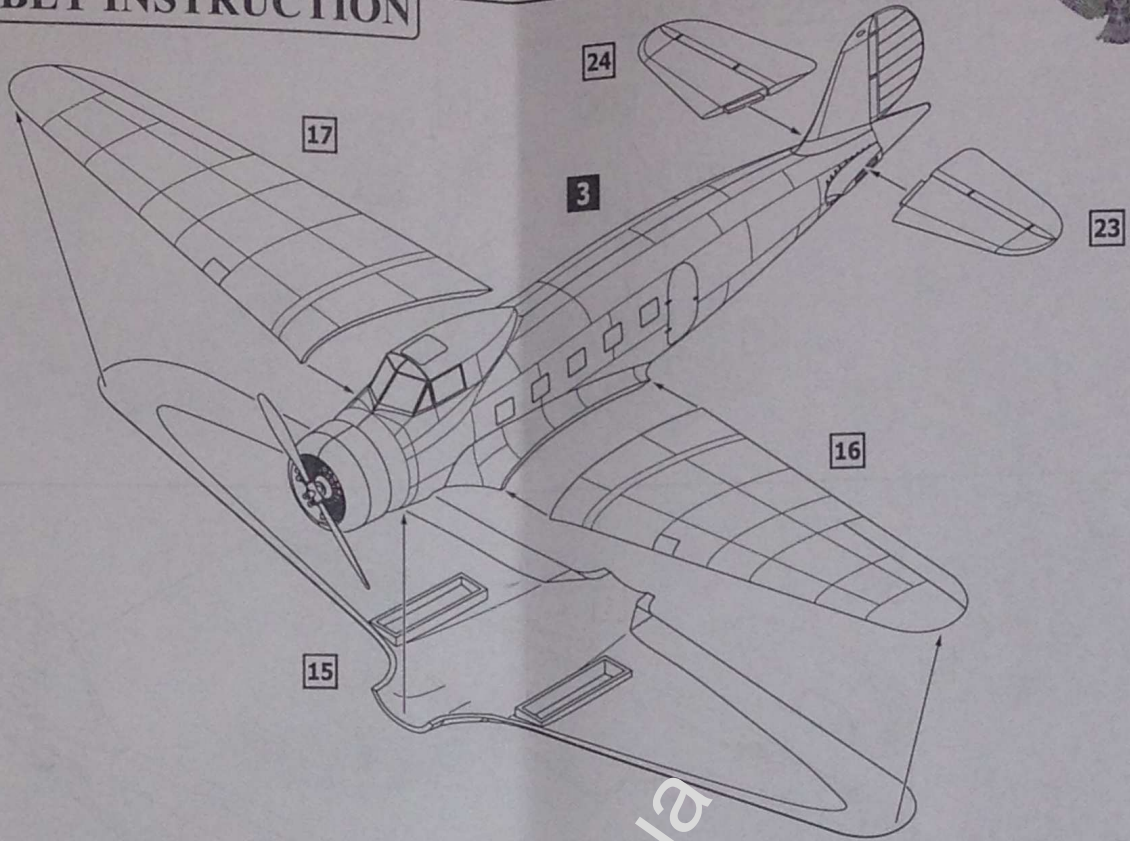
- 3**
- 2**
- 3**
- 4**
- 5** x2
- 13**



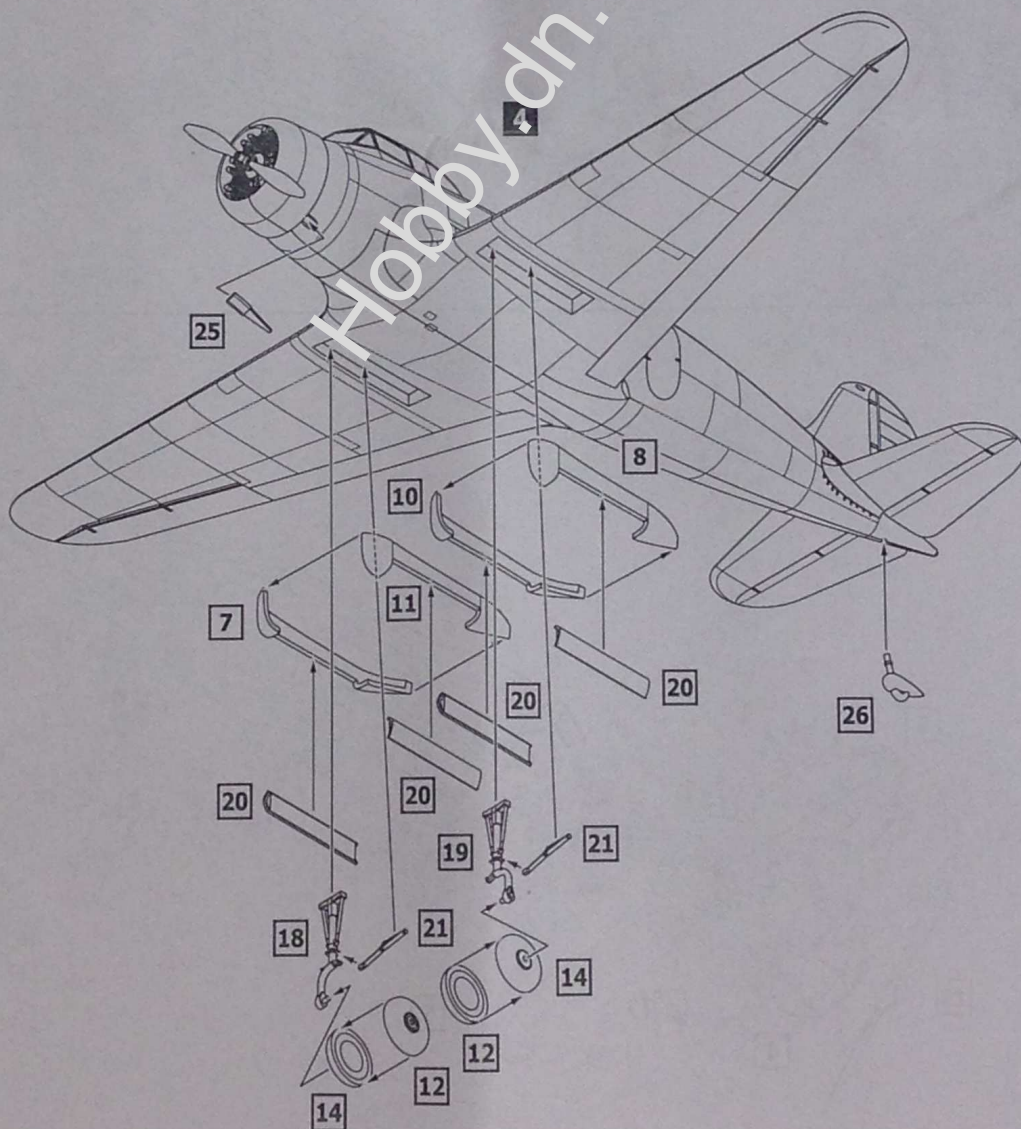
ASSEMBLY INSTRUCTION

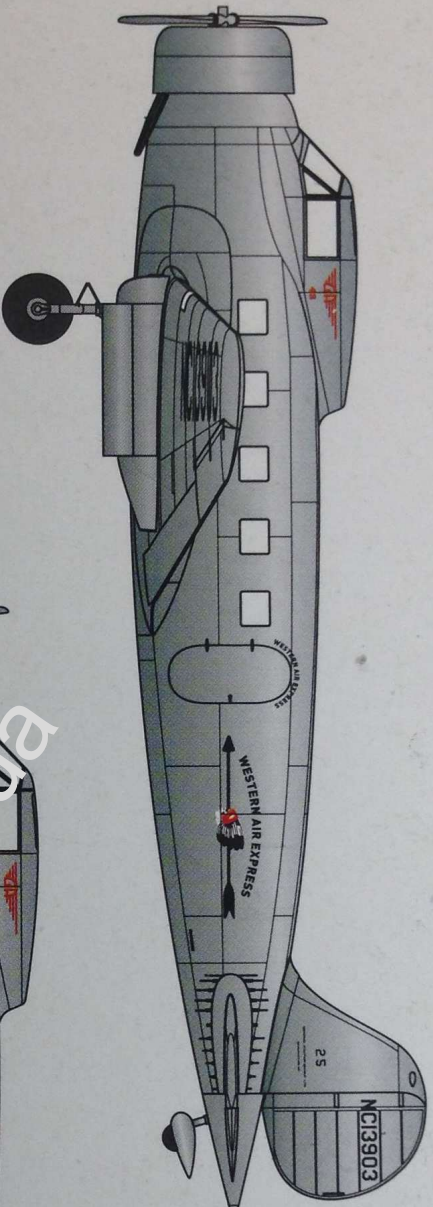


- 4
- 3
- 15
- 16
- 17
- 23
- 24

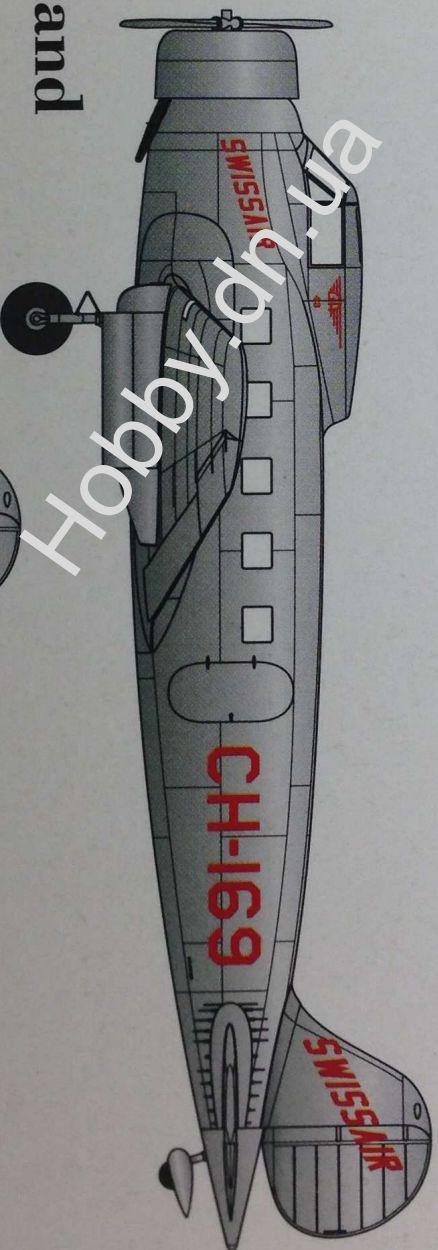


- 5
- 4
- 7
- 8
- 10
- 11
- 12 x2
- 14 x2
- 18
- 19
- 20 x4
- 21 x2
- 25
- 26

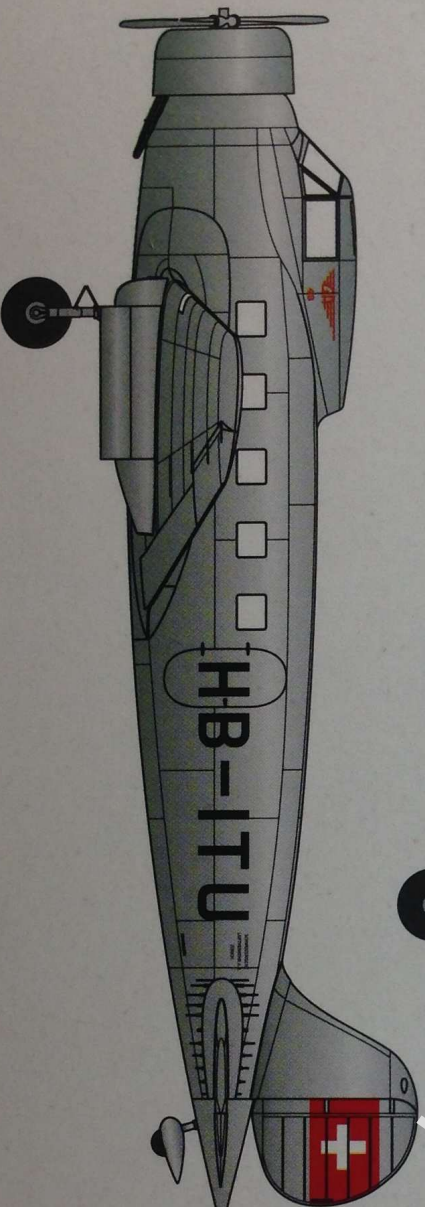




Ga-43 Clark USA



Ga-43 Clark Switzerland



**LIMITED
EDITION**