



LIMITED EDITION

SOVA-M
SVM-72005

Beechcraft 1900C-1



UNASSEMBLED PLASTIC MODEL KITS

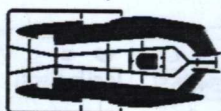
SCALE:1/72

245 mm

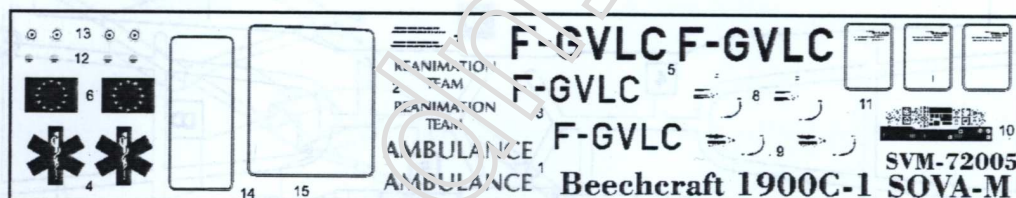


232 mm

160 part



DECALS



ONE VERSION OF COLOURING

The Beechcraft 1900 is an American turboprop aircraft produced by the Beechcraft Corporation and developed from the previous model of the Super King Air family. The prototype first flew on September 3, 1982. The aircraft was certified and entered service in 1985. Serial manufacturing lasted until 2002. Overall, 695 aircrafts in different modifications including freight versions were manufactured.

The model is executed on technology short run and is intended only for experienced modelers.

Word-wide distributor for Sova-M kits:

ModelSvit Balkans Ltd. 4003 Plovdiv,
Bulgaria 9, zk Maritza Gardens.

Tel. +359 32 397 069,

E-Mail: modelsvitbalkans@gmail.com

MADE IN UKRAINE

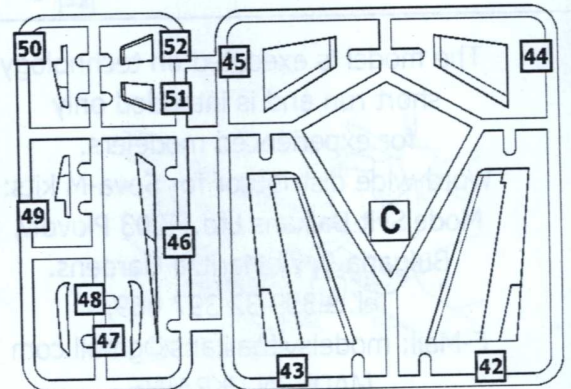
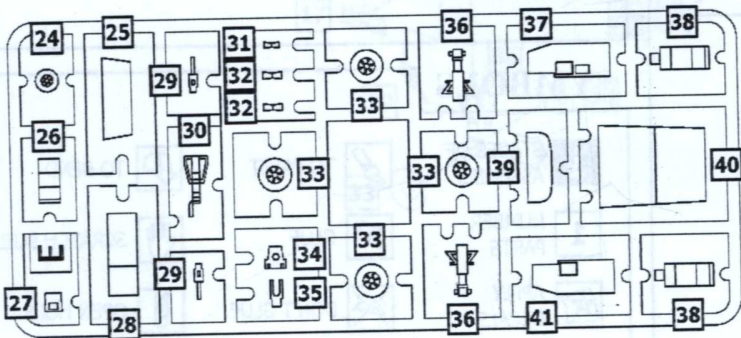
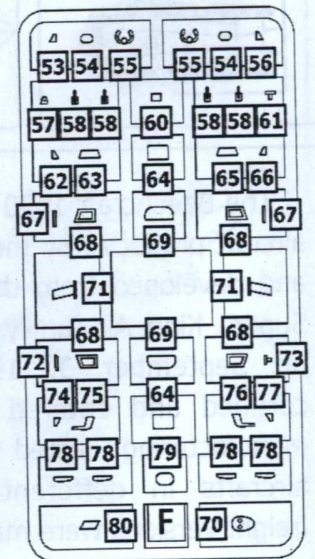
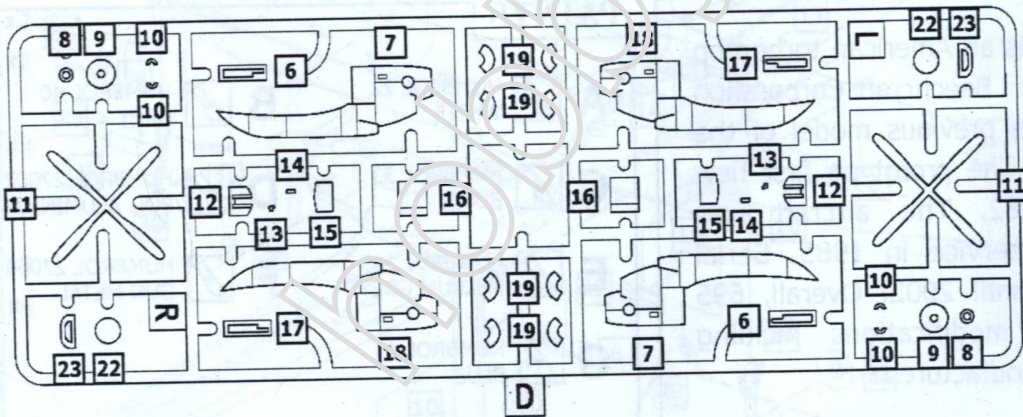
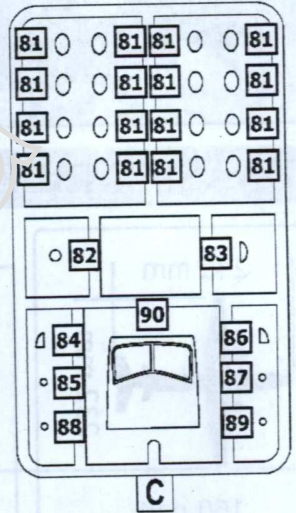
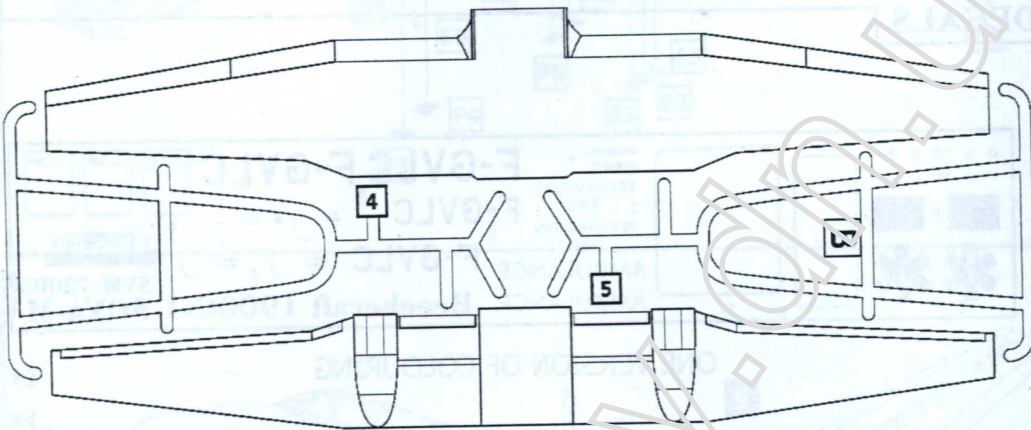
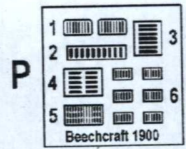
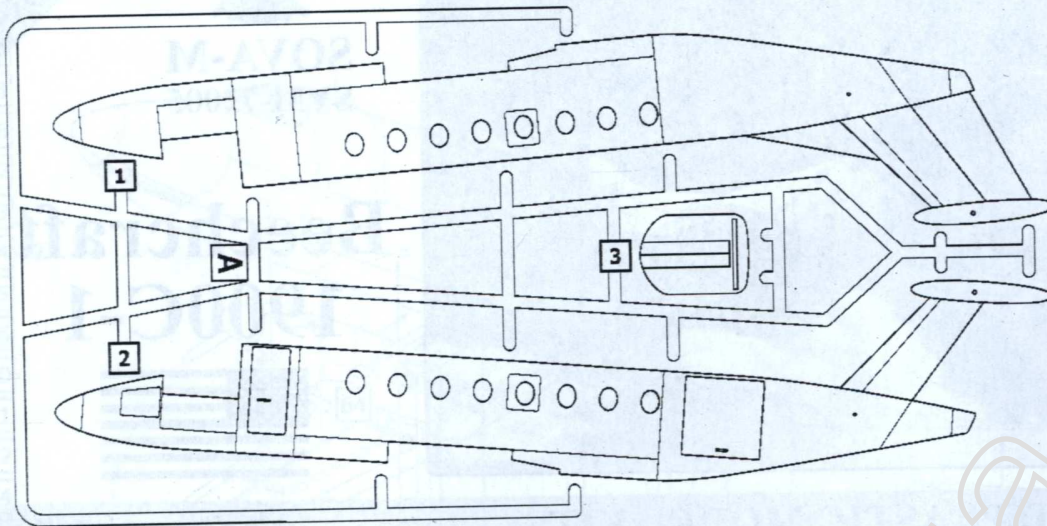
PAINTS

- | | |
|-------------------------------------|--|
| A HUMBROL 22
WHITE | B HUMBROL 40
GREY |
| C HUMBROL 33
BLACK | D HUMBROL 27002
POL. ALUMINIUM |
| E HUMBROL 145
MEDIUM GREY | F HUMBROL 27004
GUN METAL |
| G HUMBROL 14
BLUE | |

SYMBOLS

- | | | |
|----------------------------------|----------------------|---------------|
| 1 STAGES OF ASSEMBLY | TO PAINT | TO BEND |
| 1 NUMBER PARTS | GLUE | SCRATCH BUILT |
| APPLY DECALS | DON'T GLUE | OPEN HOLE |
| x2 QUANTITY OF OPERATIONS | НА ВИБІР
OPTIONAL | CAT OUT |

SET OF THE PARTS

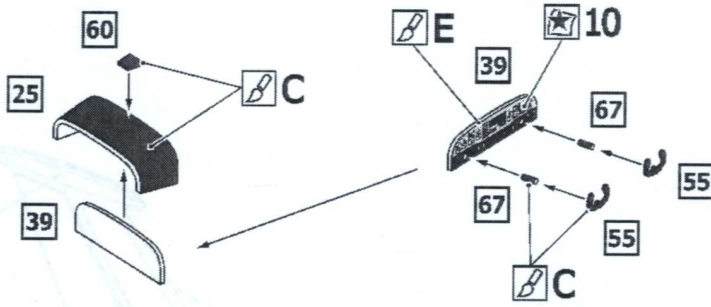


ASSEMBLY INSTRUCTION



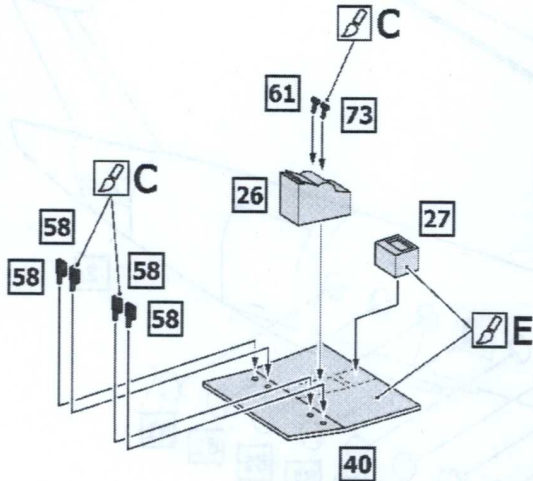
1

- 25
- 39
- 55 x2
- 60
- 67 x2



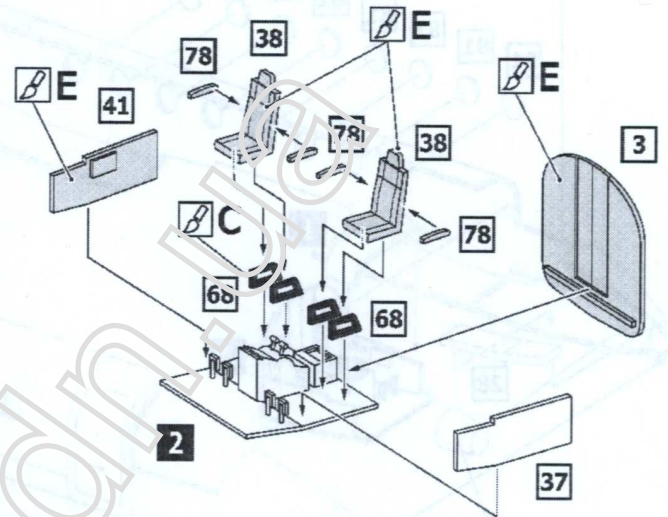
2

- 26
- 27
- 40
- 58 x4
- 61
- 73



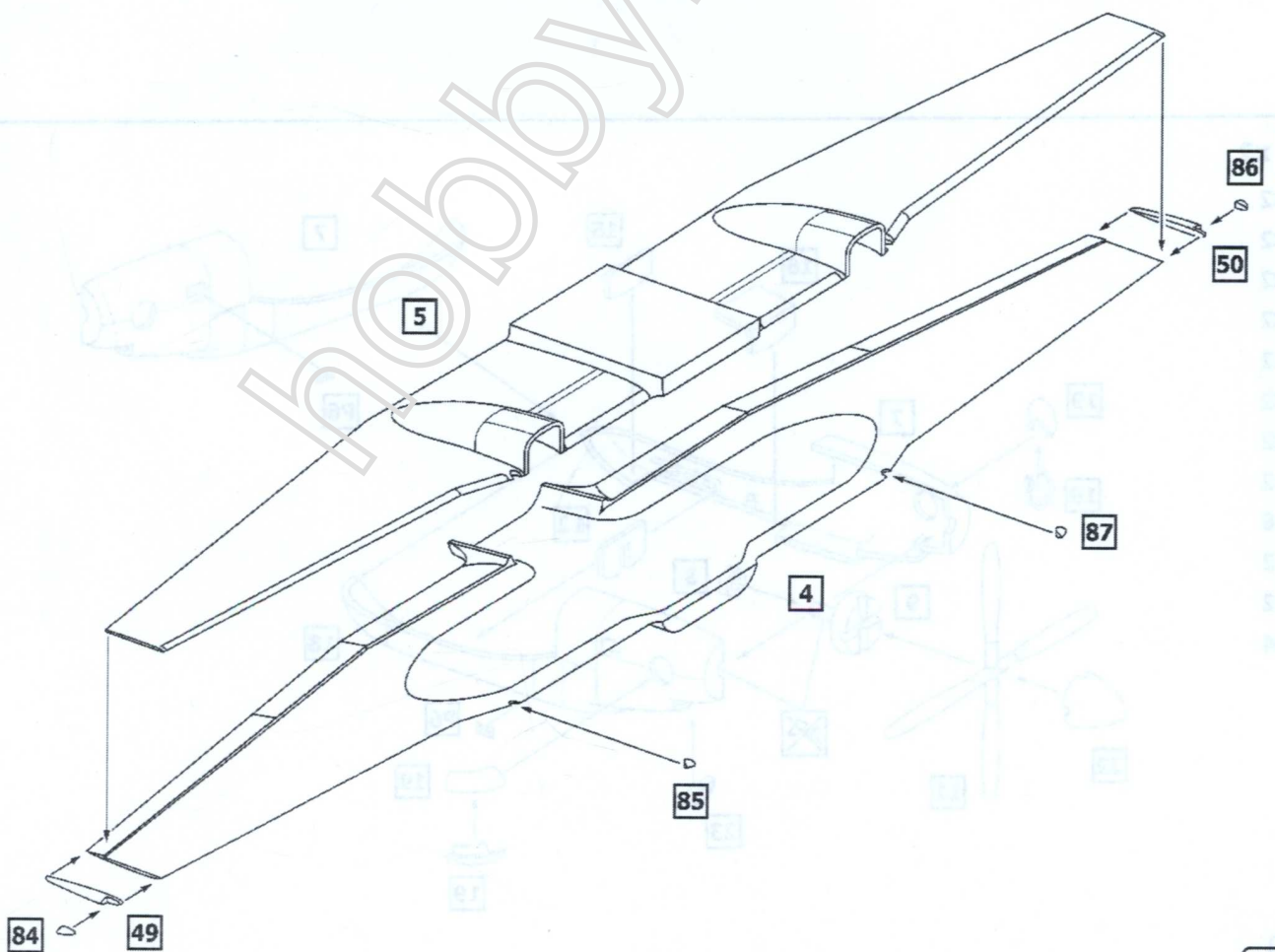
3

- 2
- 3
- 37
- 38 x2
- 41
- 68 x4
- 78 x4



4

- 4
- 5
- 49
- 50
- 84
- 85
- 86
- 87



ASSEMBLY INSTRUCTION



5

1

3

1

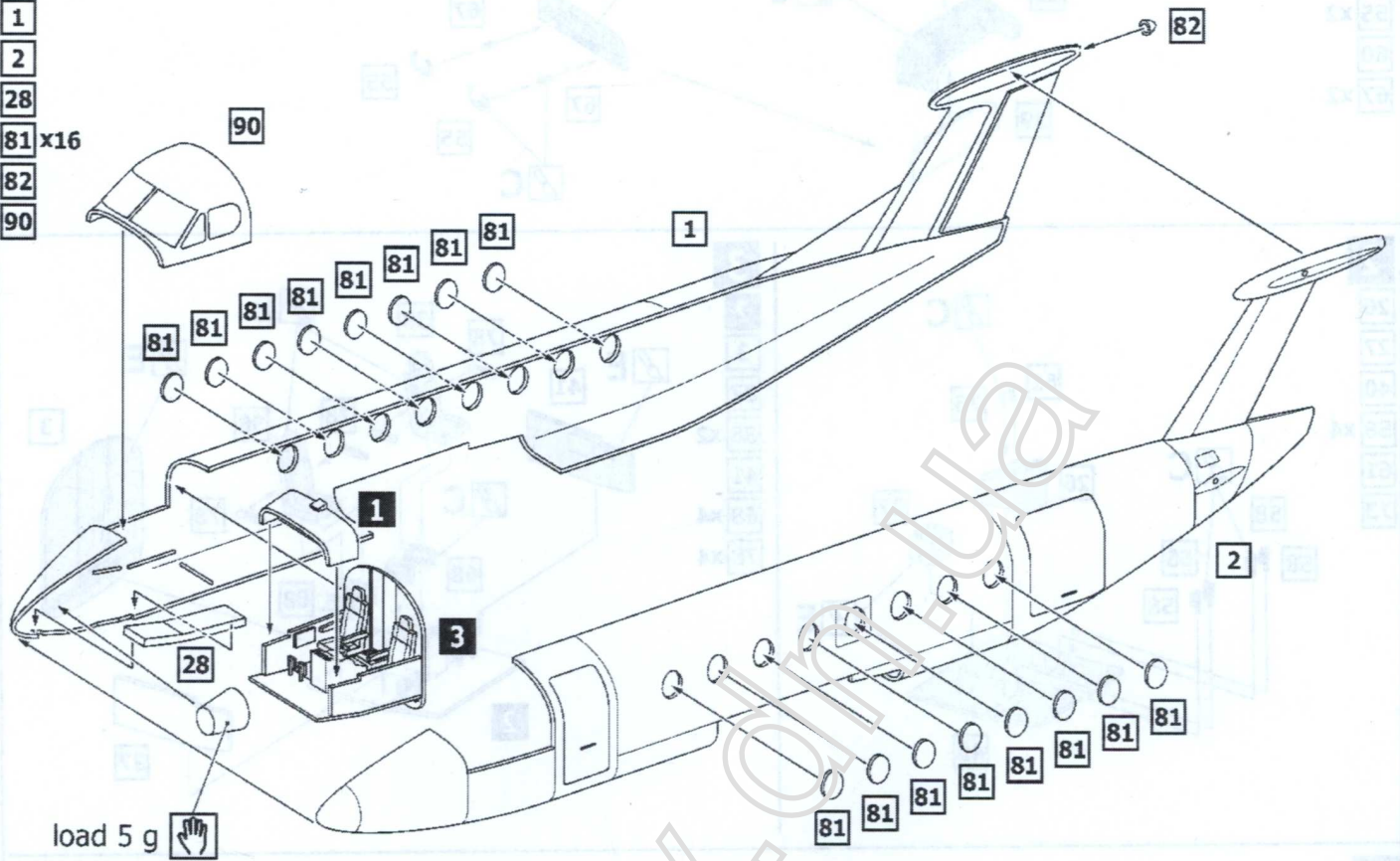
2

28

81 x16

82

90



6 x2

7 x2

8 x2

9 x2

11 x2

12 x2

15 x2

16 x2

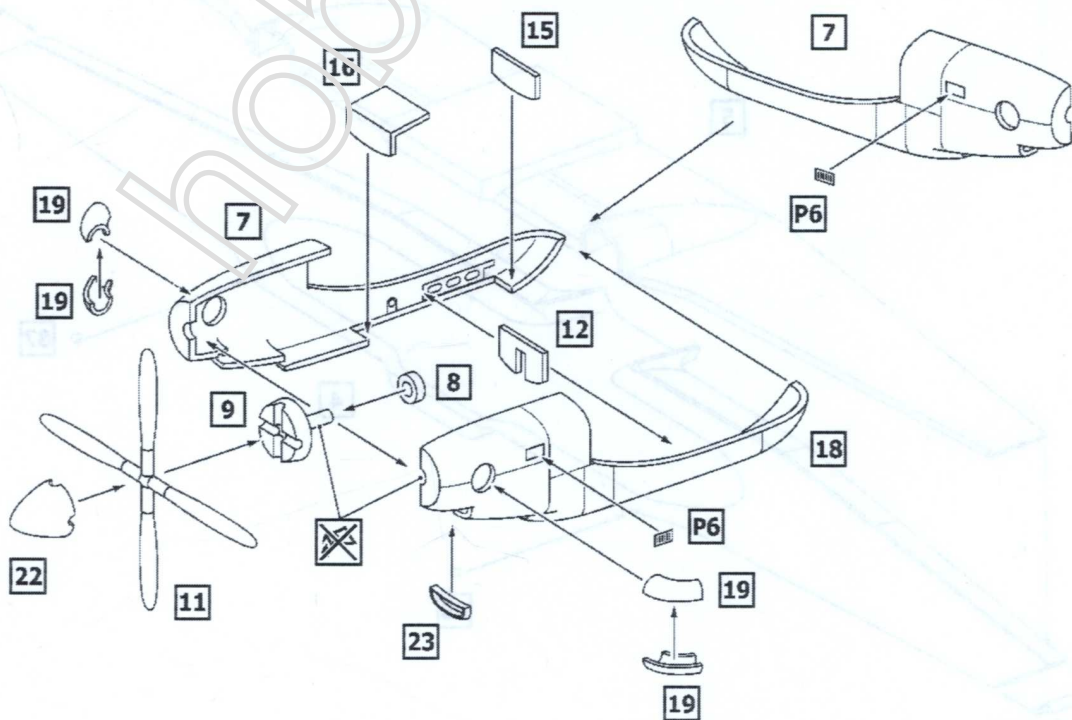
18 x2

19 x8

22 x2

23 x2

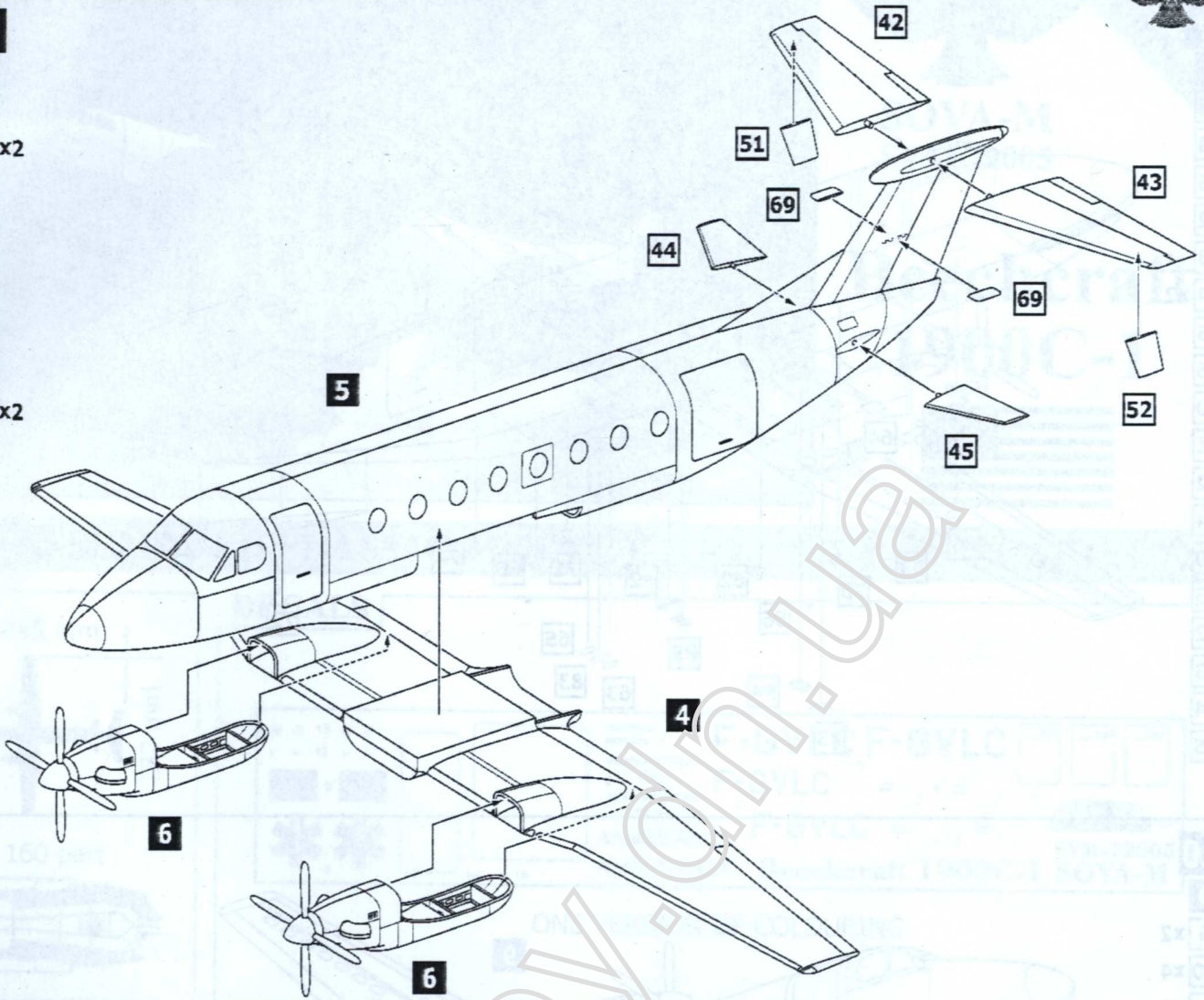
P6 x4



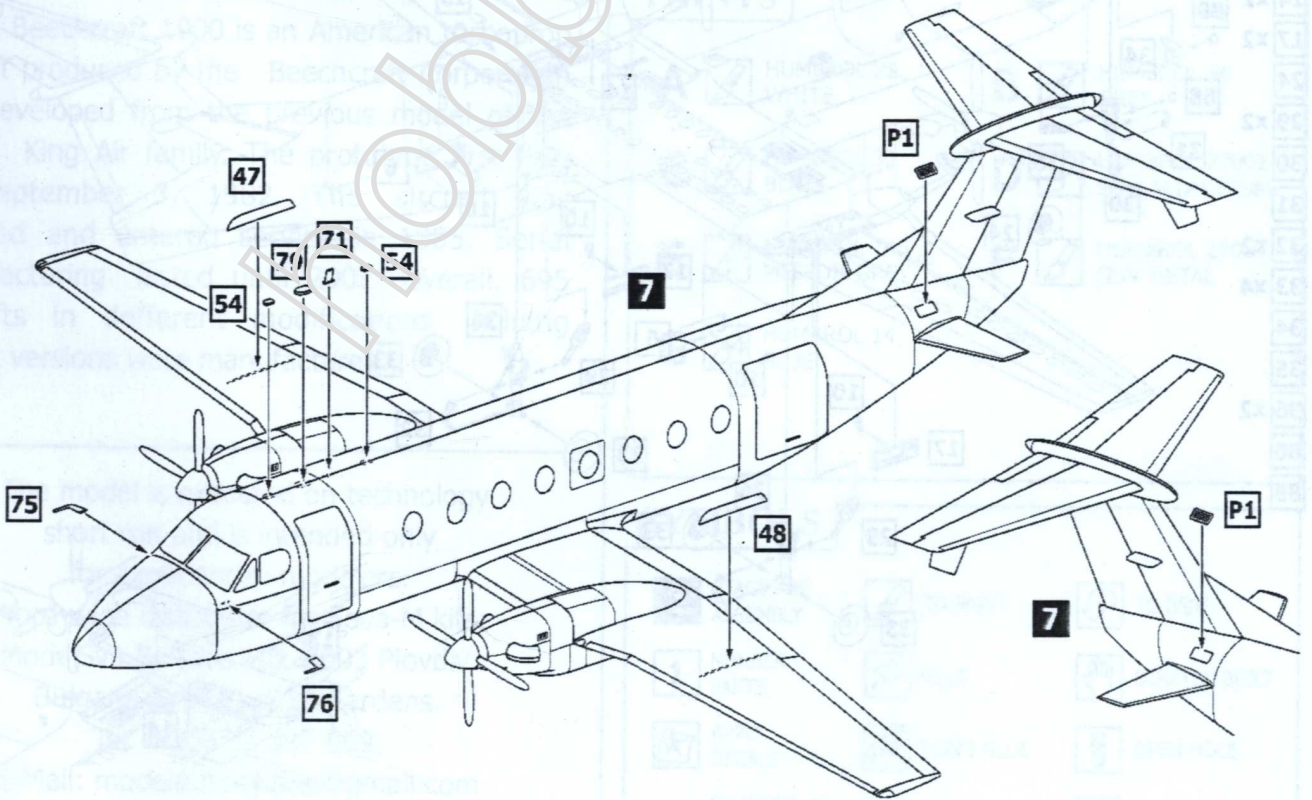
ASSEMBLY INSTRUCTION



- 7**
- 4**
- 5**
- 6** x2
- 42**
- 43**
- 44**
- 45**
- 51**
- 52**
- 69** x2



- 8**
- 7**
- 47**
- 48**
- 54** x2
- 71**
- 75**
- 76**
- 79**
- P1** x2



ASSEMBLY INSTRUCTION



9

8

46

53

56

62

63

64 x2

65

66

70

71

72

74

80

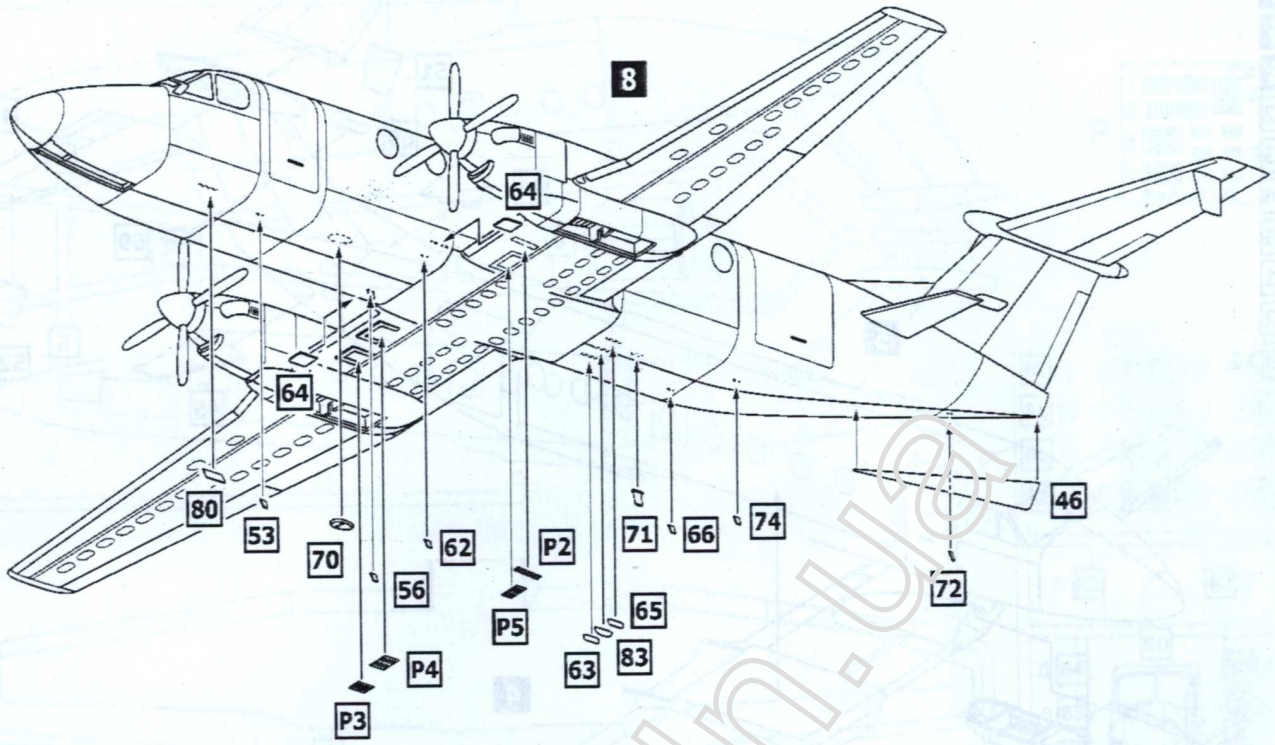
83

P2

P3

P4

P5



10

9

6 x2

10 x4

13 x2

14 x2

17 x2

24

29 x2

30

31

31

32 x2

33 x4

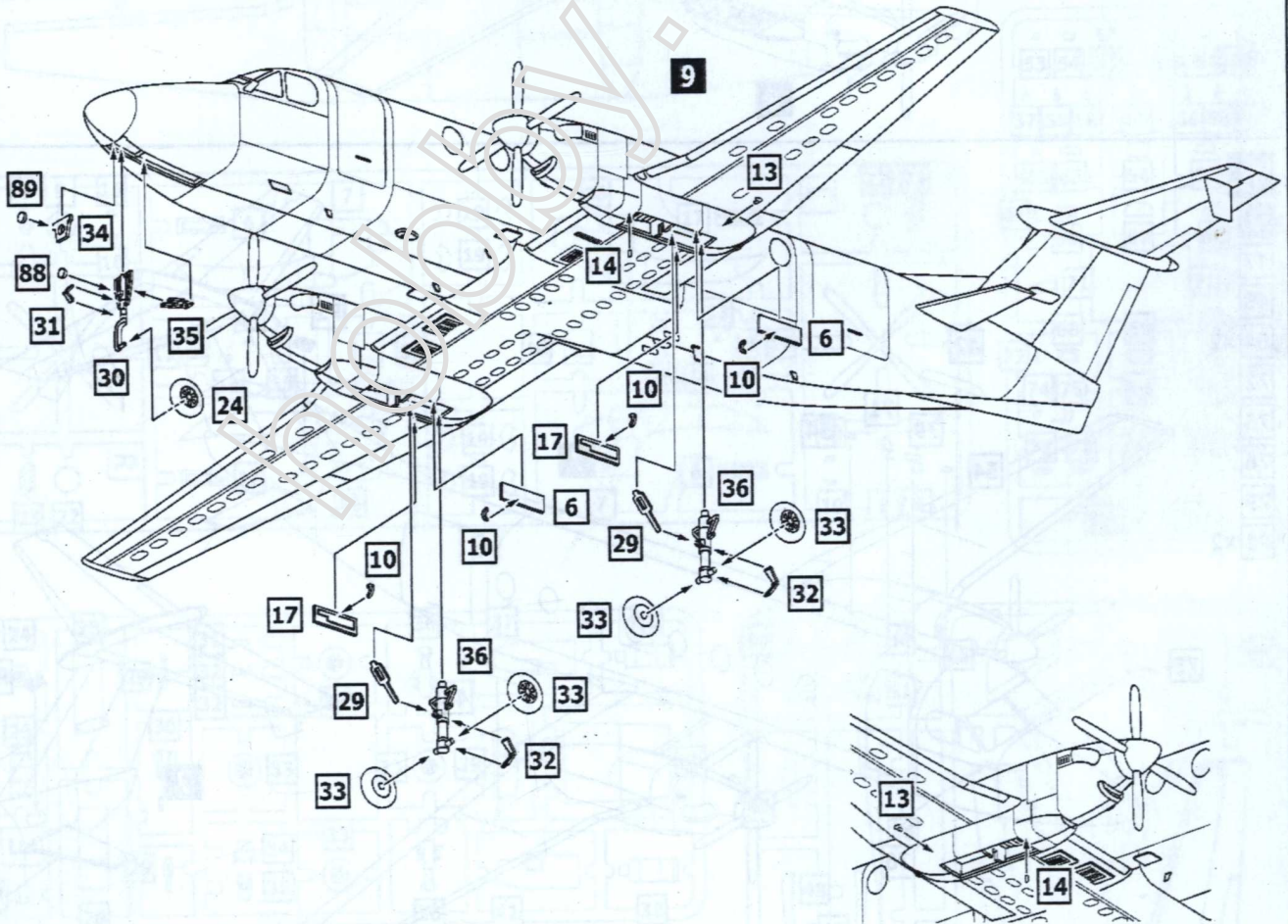
34

35

36 x2

88

89



MARKING & PAINTING

Beechcraft 1900C-1

