

LIMITED EDITION

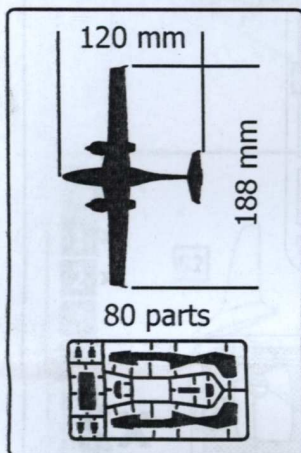
SOVA-M  
SVM-72009

# Dominator Aeronautics Defense

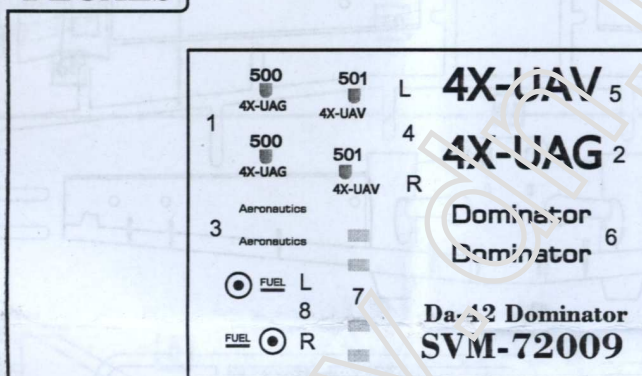


UNASSEMBLED PLASTIC MODEL KITS

SCALE:1/72



## DECALS



TWO VERSIONS  
OF COLOURING

## PAINTS

- |                                   |  |
|-----------------------------------|--|
| <b>A</b> HUMBROL 130<br>WHITE     | <b>B</b> HUMBROL 19<br>RED               |
| <b>C</b> HUMBROL 64<br>LIGHT GREY | <b>D</b> HUMBROL 27002<br>POL. ALUMINIUM |
| <b>E</b> HUMBROL 33<br>BLACK      |  |

The Diamond DA42 Twin Star is a four seat, twin-engine composite airplane developed and manufactured by Austrian company Diamond Aircraft Industries. In 2004, the DA42 became the first diesel-powered fixed-wing aircraft to perform a non-stop crossing of the North Atlantic. The flight continued 28 hours with average consumption 11.2 gal/h. Currently DA42 is used primary as air taxi, but some government customers employed it in the aerial surveillance role (DA-42MPP).

In 2009, Diamond Aircraft Industries developed unmanned aerial vehicle, designated as Aeronautics Defense Dominator, which was derived from the DA42. The UAV version has flight endurance of 28 hours at 140-354 km/h with 408 kg payload, service ceiling 9144 m (30 000 ft).

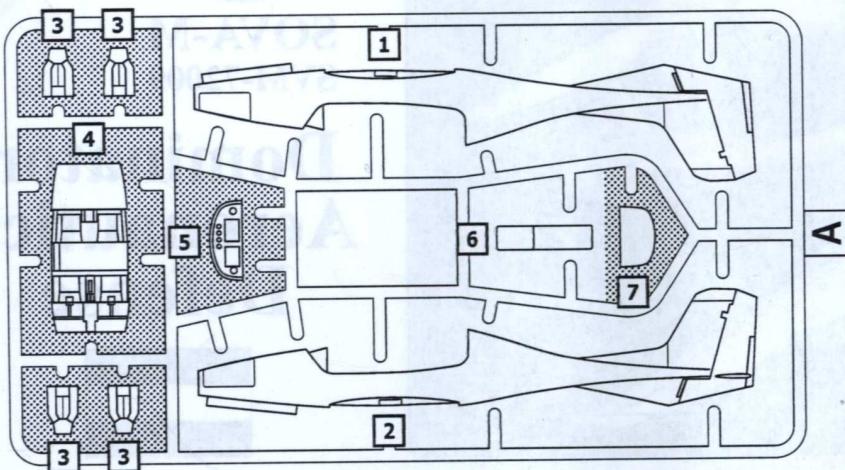
The model is executed on technology short run and is intended only for experienced modelers.


Word-wide distributor for Sova-M kits:  
ModelSvit Balkans Ltd. 4003 Plovdiv,  
Bulgaria 9, zk Maritza Gardens.  
Tel. +359 32 397 069,  
E-Mail: modelsvitbalkans@gmail.com  
MADE IN UKRAINE

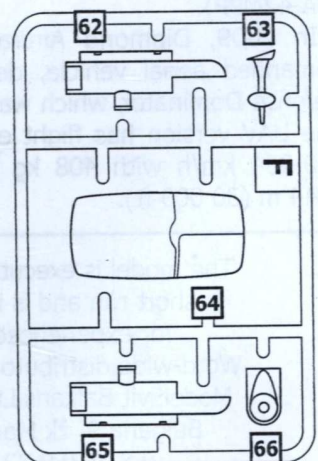
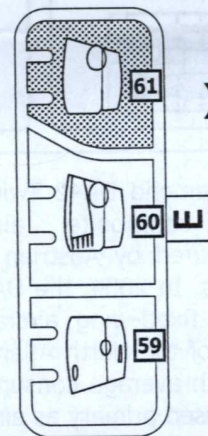
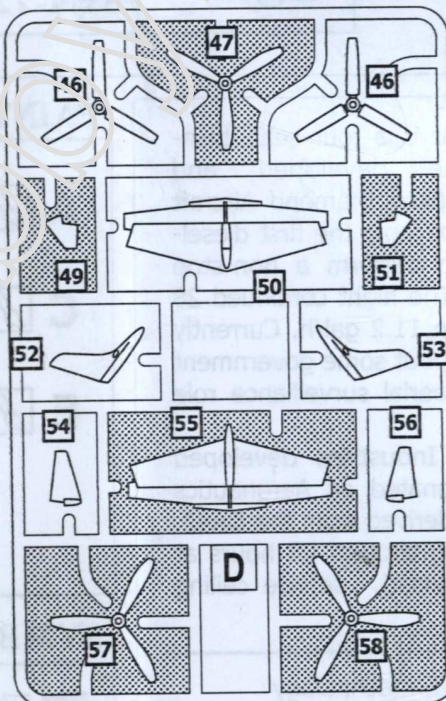
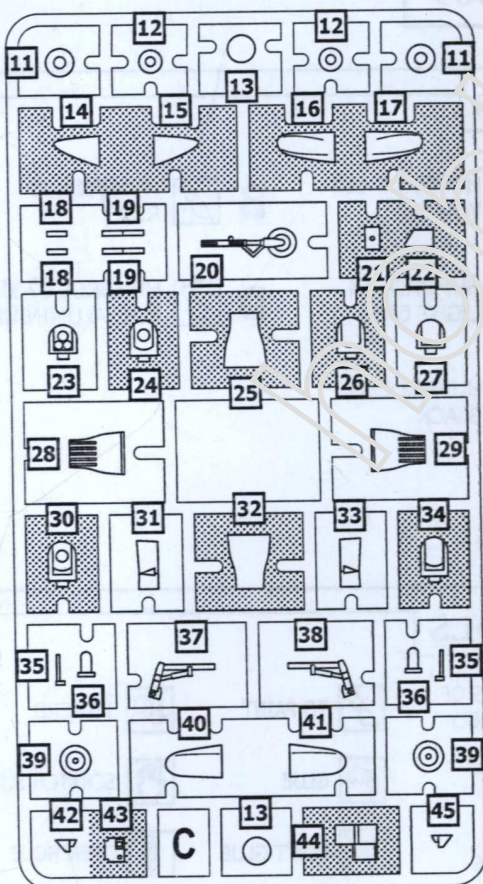
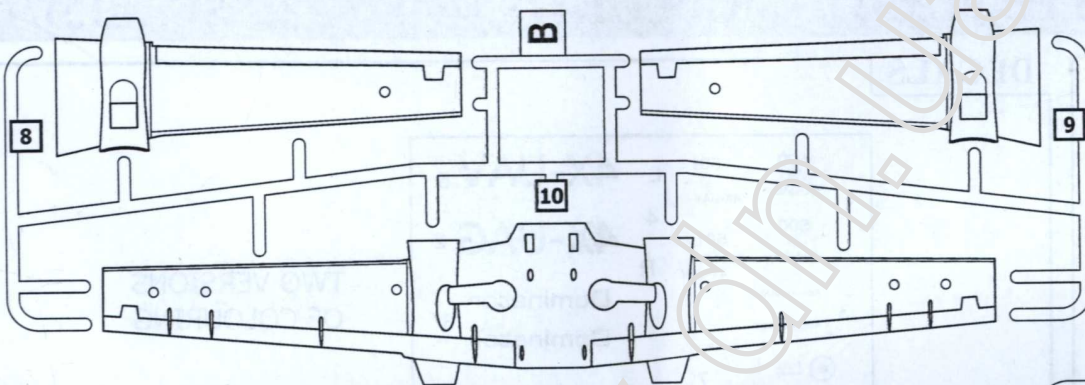
## SYMBOLS

- |                                  |                   |               |
|----------------------------------|-------------------|---------------|
| <b>1</b> STAGES OF ASSEMBLY      | TO PAINT          | TO BEND       |
| <b>1</b> NUMBER PARTS            | GLUE              | SCRATCH BUILT |
| APPLY DECALS                     | DON'T GLUE        | OPEN HOLE     |
| <b>x2</b> QUANTITY OF OPERATIONS | НА ВИБІР OPTIONAL | CAT OUT       |

# SET OF THE PARTS



 PARTS NOT FOR USE



# ASSEMBLY INSTRUCTION



**1** x2

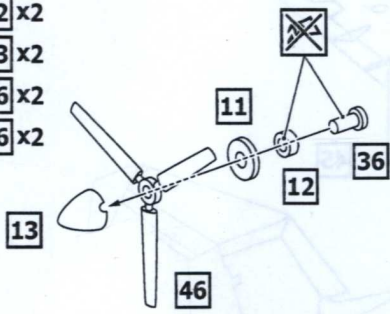
**11** x2

**12** x2

**13** x2

**36** x2

**46** x2



**3**

**1**

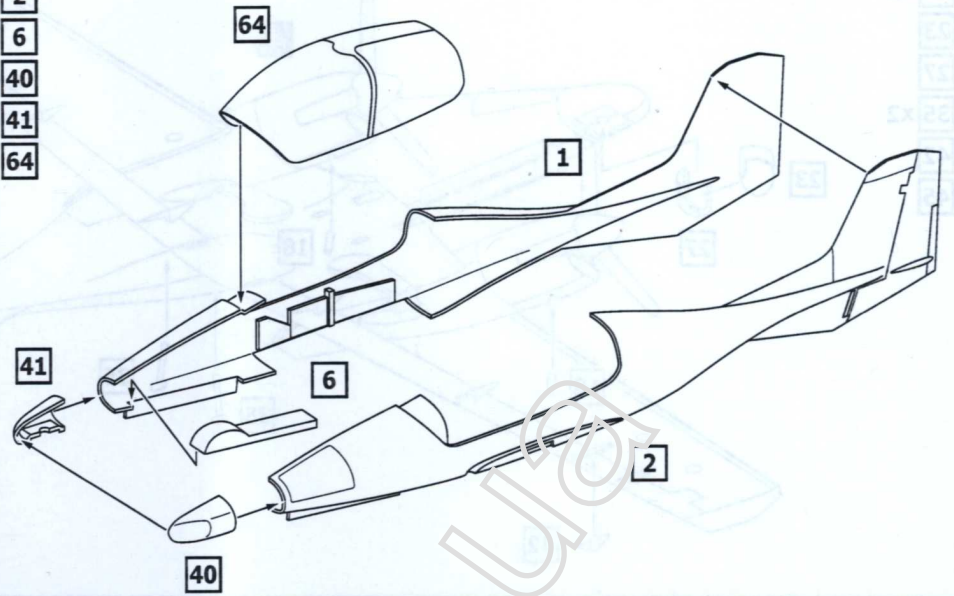
**2**

**6**

**40**

**41**

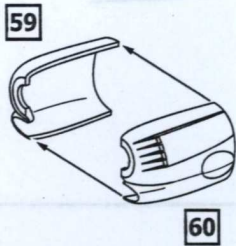
**64**



**2** x2

**59** x2

**60** x2



**4**

**1** x2

**2** x2

**3**

**8**

**9**

**10**

**28**

**29**

**50**

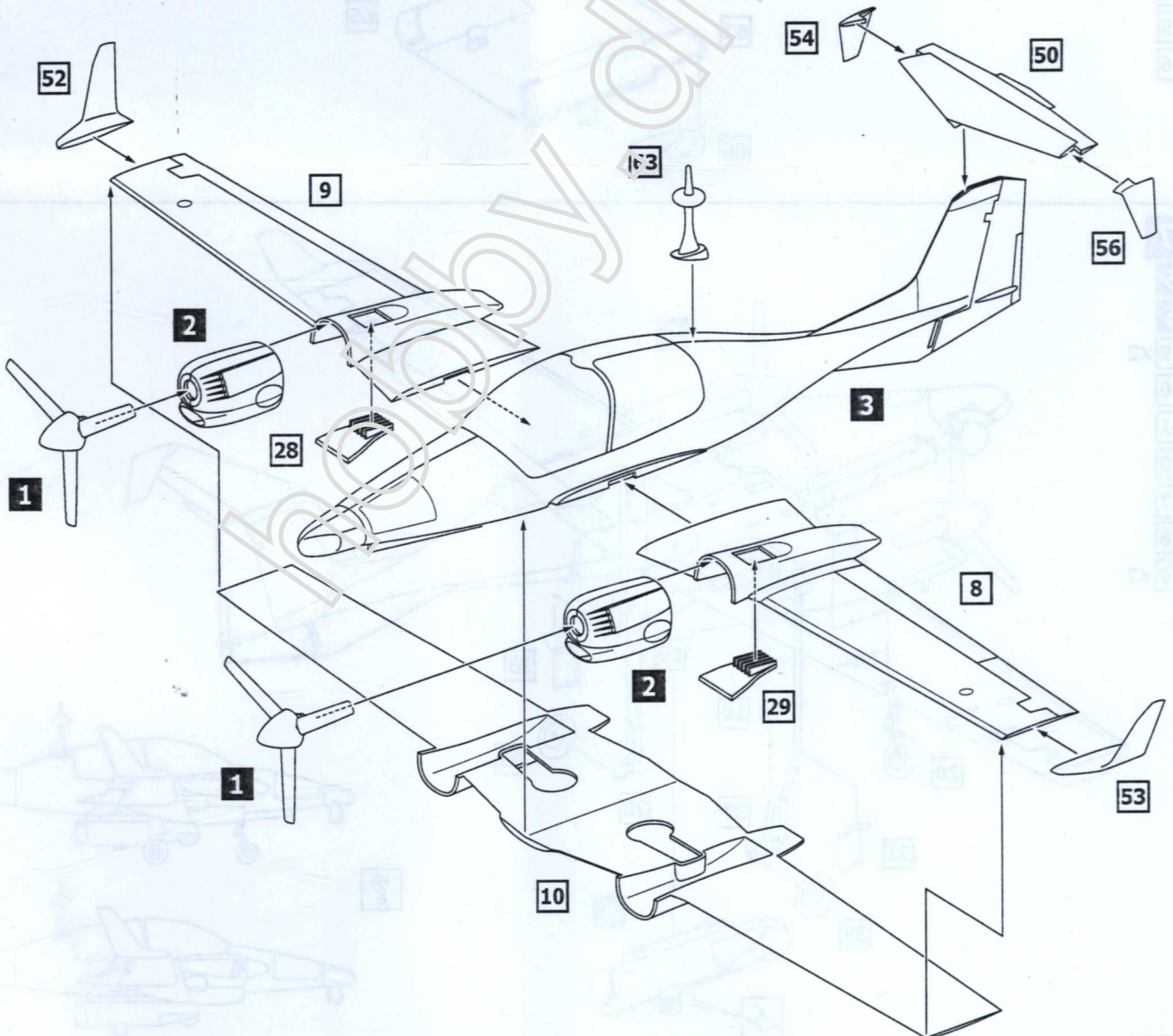
**52**

**53**

**54**

**56**

**63**



# ASSEMBLY INSTRUCTION



**5**

**4**

**18** x2

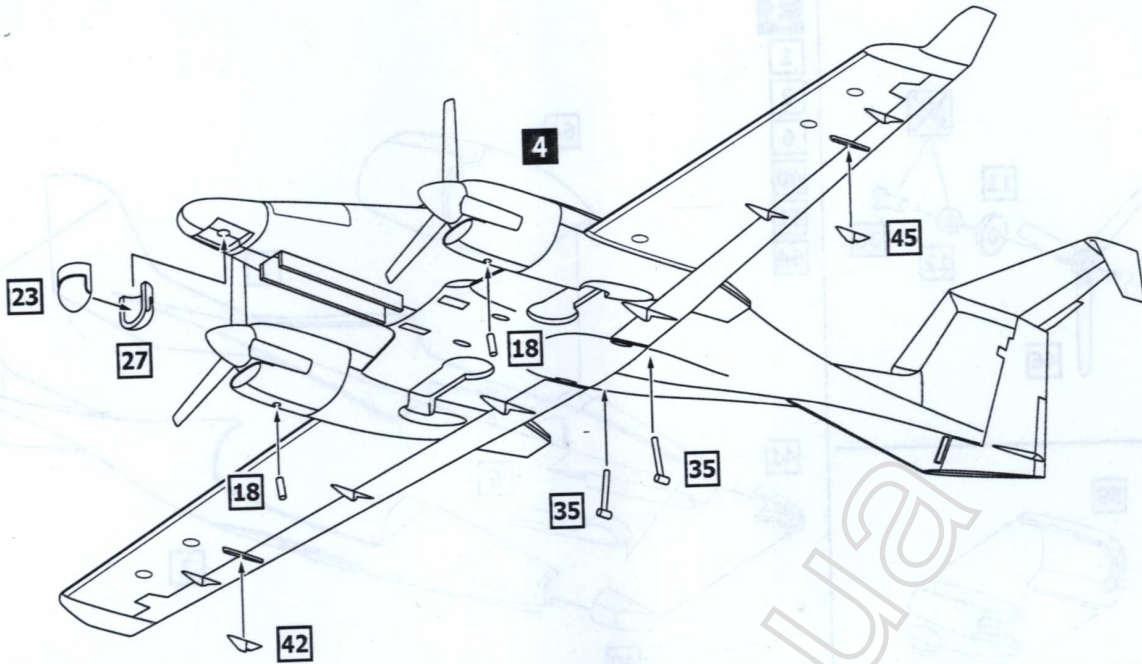
**23**

**27**

**35** x2

**42**

**45**

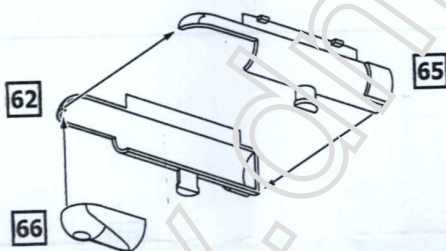


**6**

**62**

**65**

**66**



**7**

**5**

**6**

**19** x2

**20**

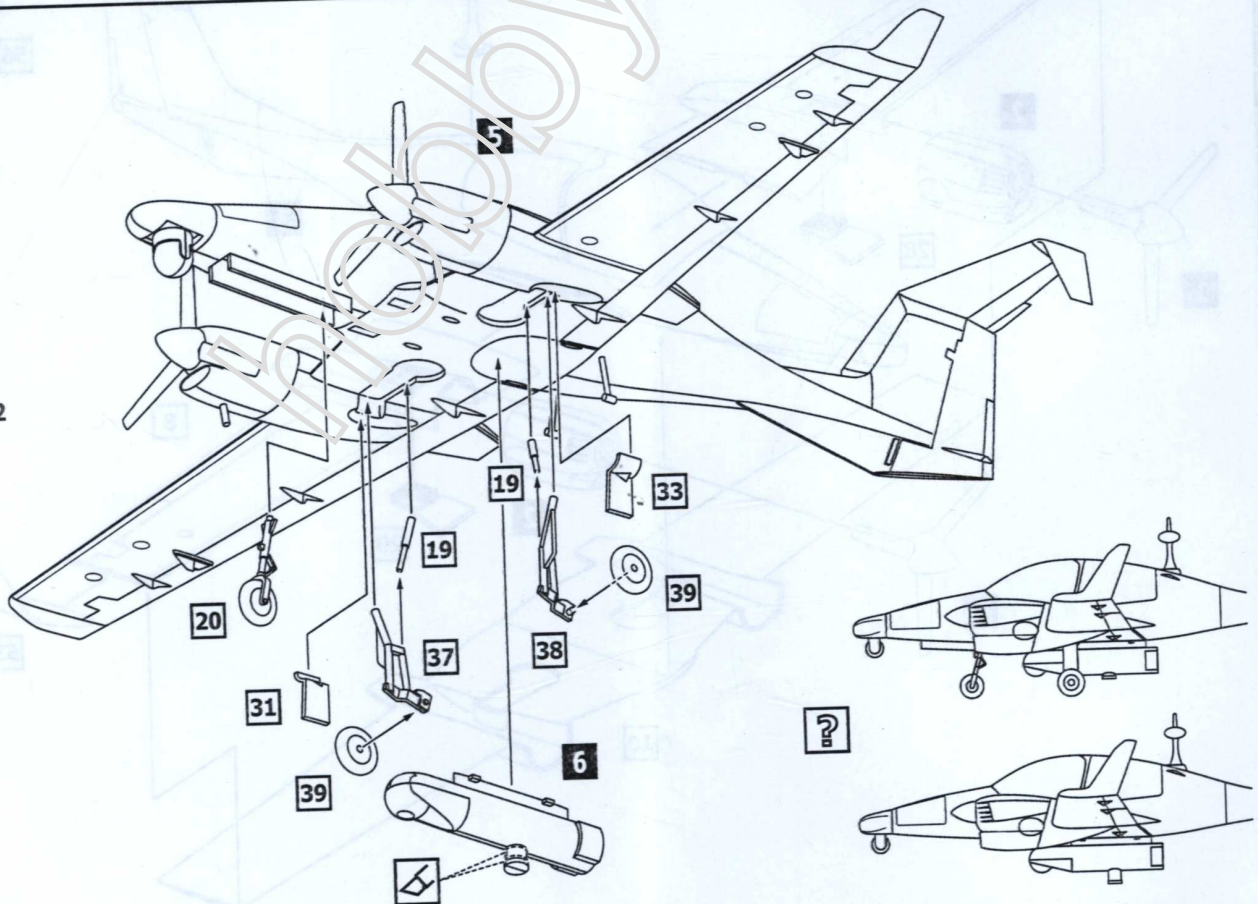
**31**

**33**

**37**

**38**

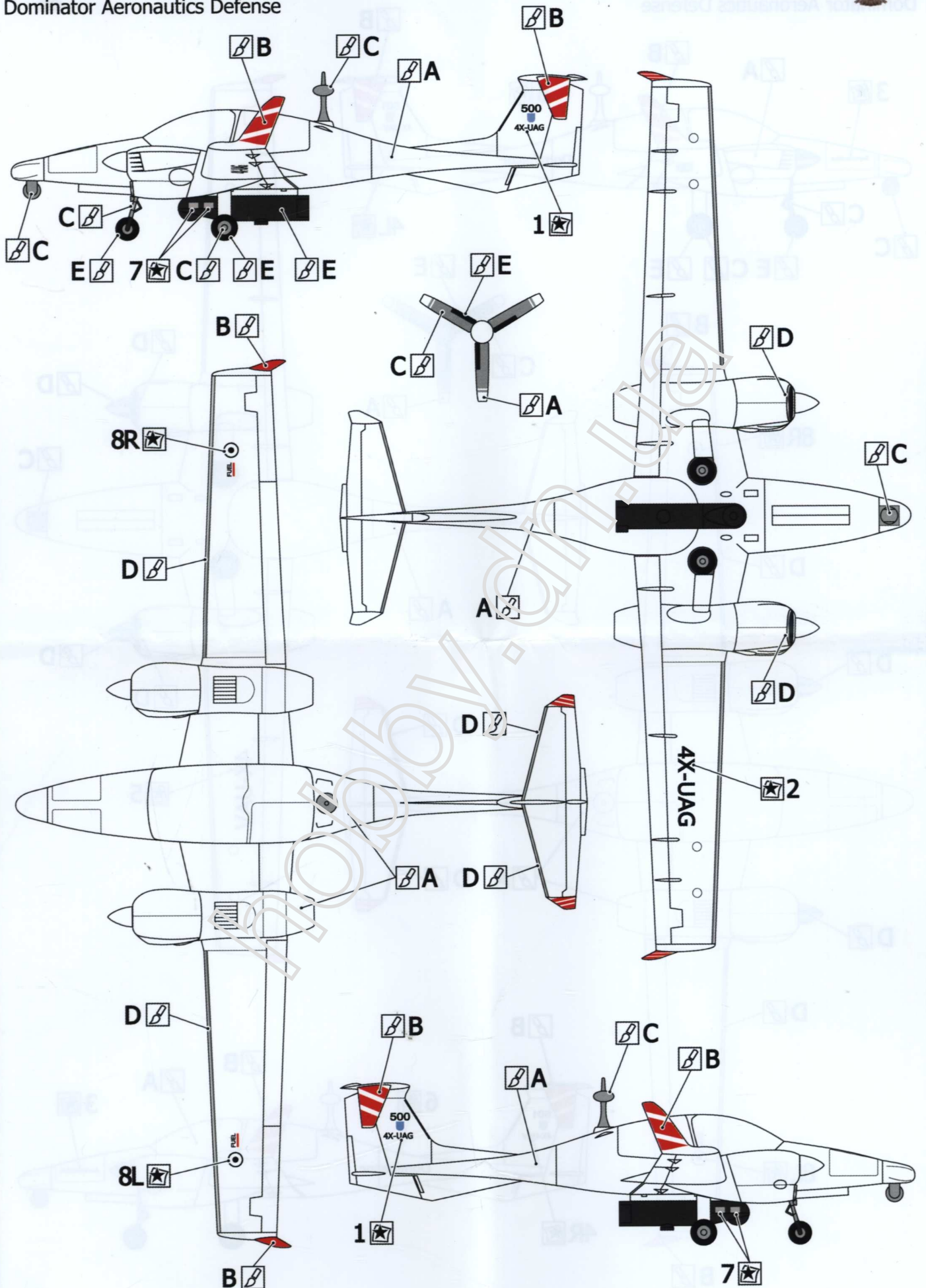
**39** x2



# MARKING & PAINTING



Dominator Aeronautics Defense



# MARKING & PAINTING



Dominator Aeronautics Defense

