



LIMITED EDITION

SOVA-M
SVM-72031

G-111 Albatross



UNASSEMBLED PLASTIC MODEL KITS

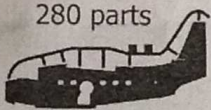
SCALE:1/72

266 mm

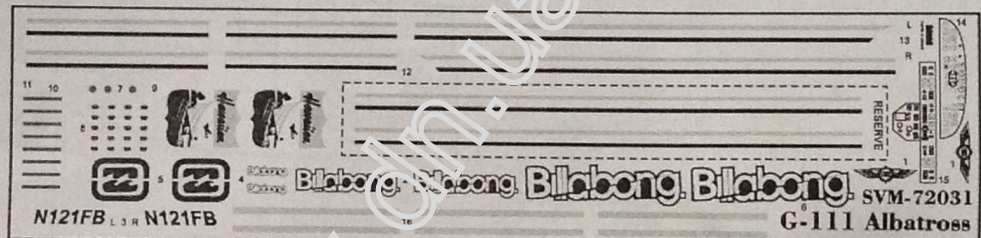


412 mm

280 parts



DECALS



ONE VERSION
OF COLOURING

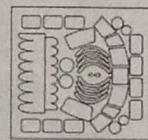
First prototype of amphibia airplane rose into the air in october 1947. Good speed characteristics were ensured by two ten-cylinder engines P-1600-76A, 1425 h.p. each. After the test program US Navy has adopted new hydroplan for armament. First serial amphibians were produced by Grumman company in June 1949 in SA-16A version (Search Amphibian). In January 1956 new version SA-16B was built with the larger wing-span. Hydroplanes were actively used during the Korean war and in Vietnam. After long patrolling, additional fuselage tank and two suspended vessels under the wing were installed – this allowed to prolong the flight, total duration being 12-14 hours. In Korea and in Vietnam crews of amphibians managed to save lifes of 229 pilots. In total 464 aircraft were built in various modifications.

The model is executed on technology short run and is intended only for experienced modelers.

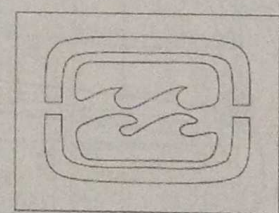
Word-wide distributor for Sova-M kits:
ModelSvit Balkans Ltd. 4003 Plovdiv,
Bulgaria 9, zK Maritza Gardens.
Tel. +359 32 397 069,
E-Mail: modelsvitbalkans@gmail.com
MADE IN UKRAINE

PAINTS

- | | |
|-------------------------------|-------------------------------------|
| A HUMBROL 34
WHITE | B HUMBROL 154
YELLOW |
| C HUMBROL 160
BROWN | D HUMBROL 145
MEDIUM GREY |
| E HUMBROL 33
BLACK | |



Masks
for painting




x2

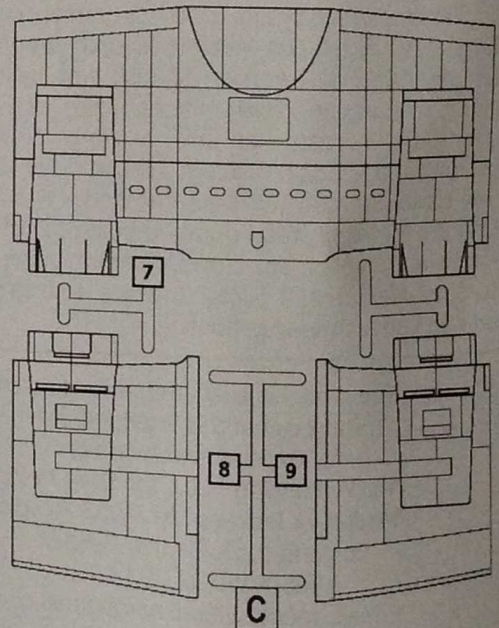
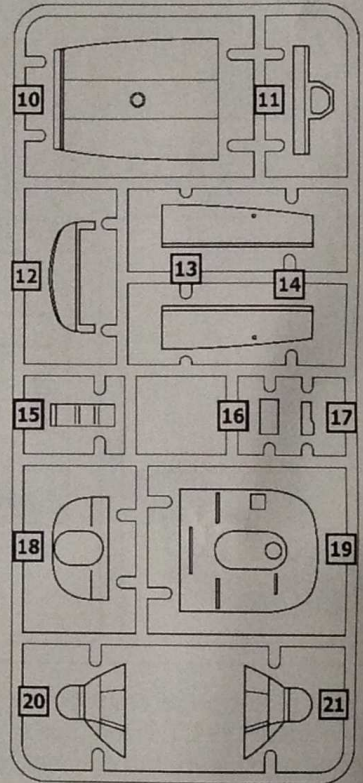
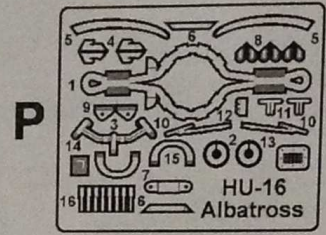
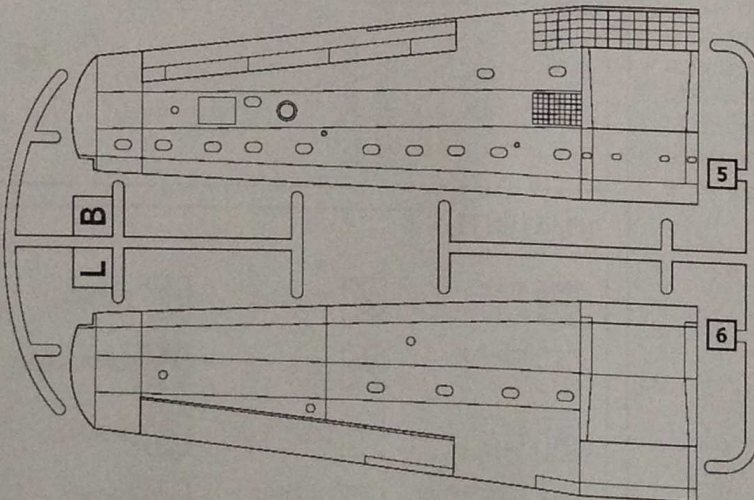
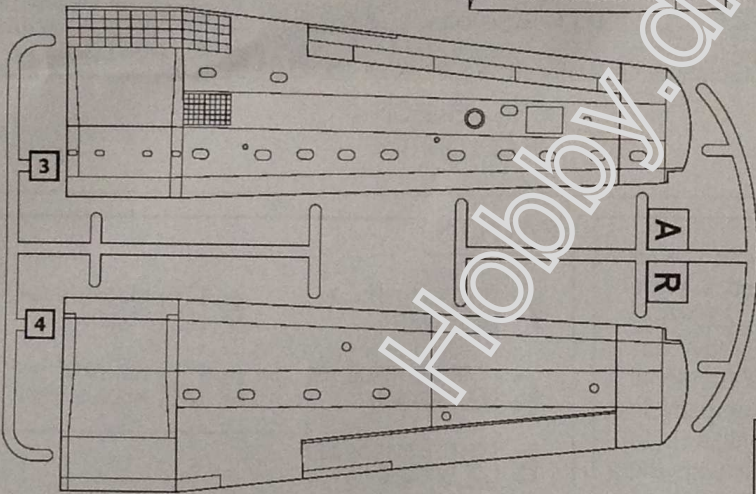
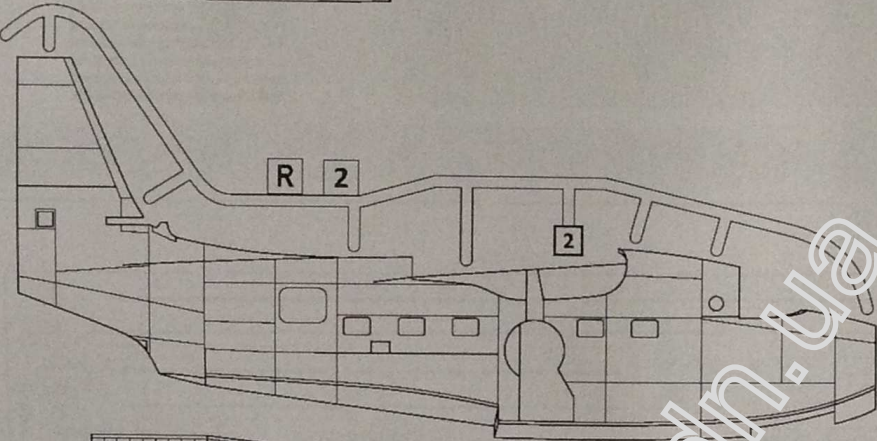
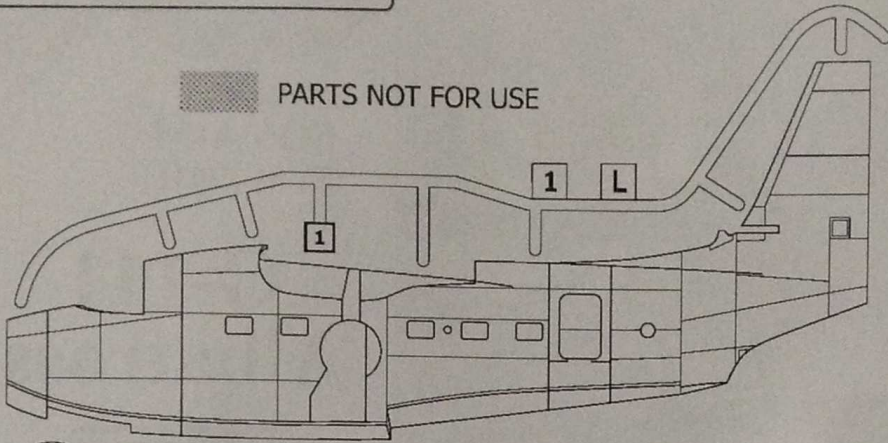
SYMBOLS

- | | | |
|----------------------------------|----------------------|---------------|
| 1 STAGES OF ASSEMBLY | TO PAINT | TO BEND |
| 1 NUMBER PARTS | GLUE | SCRATCH BUILT |
| APPLY DECALS | DON'T GLUE | OPEN HOLE |
| x2 QUANTITY OF OPERATIONS | НА ВИБІР
OPTIONAL | CUT OUT |

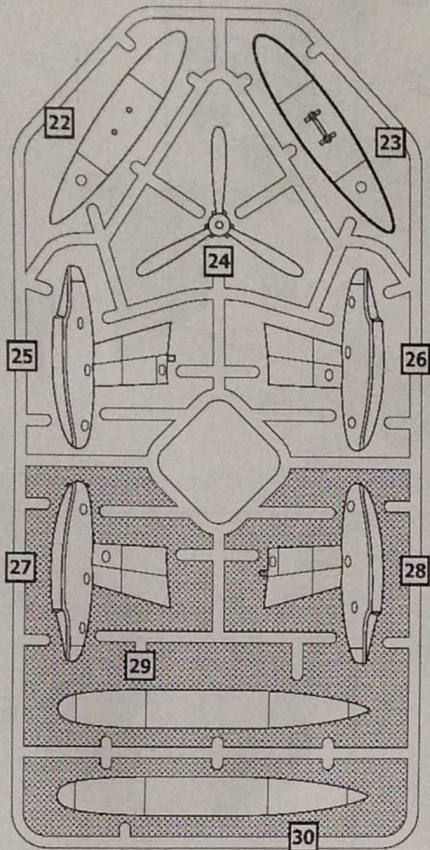
SET OF THE PARTS



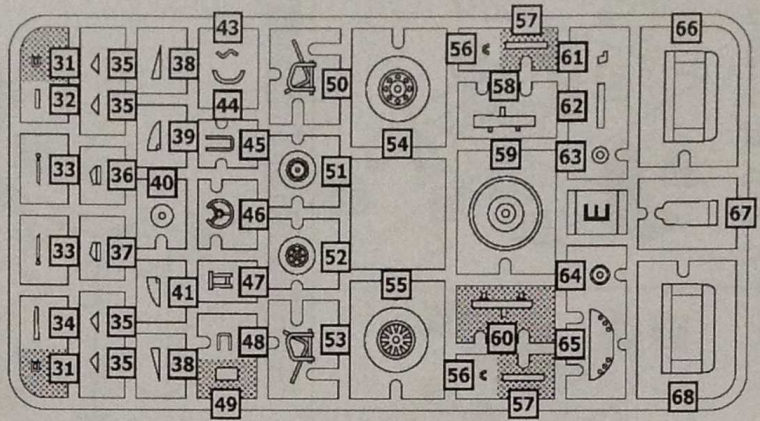
 PARTS NOT FOR USE



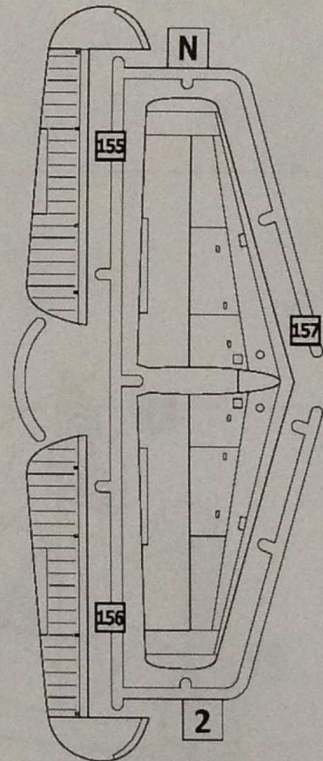
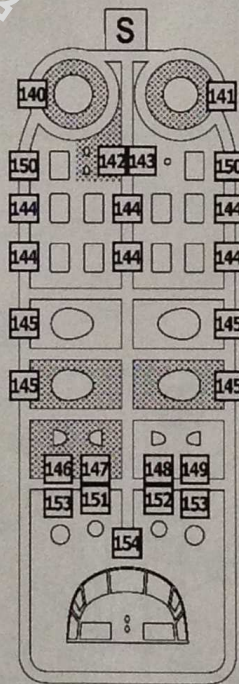
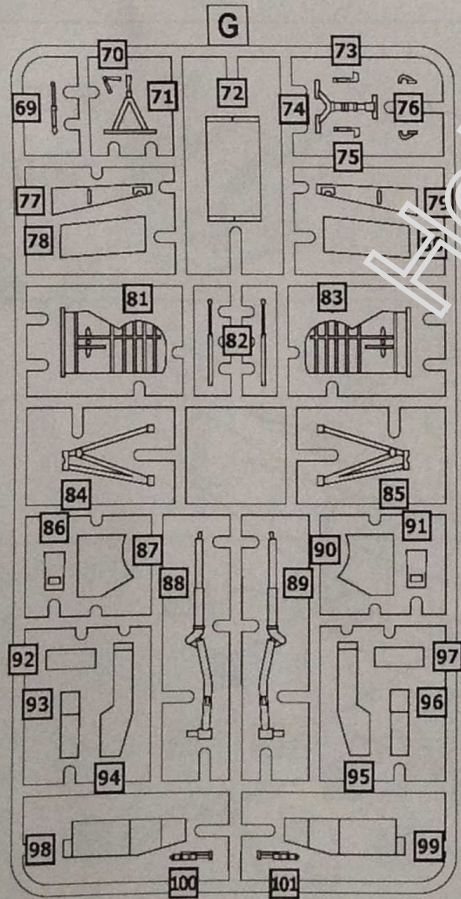
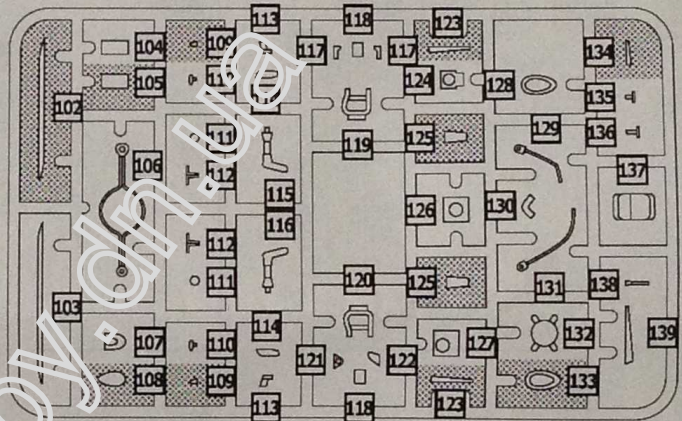
SET OF THE PARTS



x2



x2

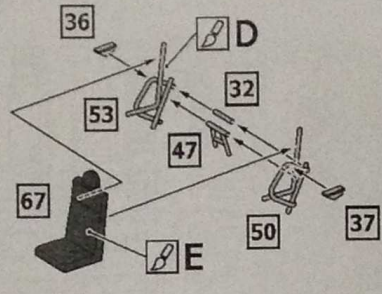


ASSEMBLY INSTRUCTION



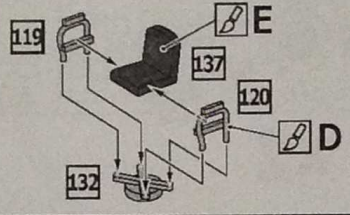
1 x2

- 32 x2
- 36 x2
- 37 x2
- 47 x2
- 50 x2
- 53 x2
- 67 x2



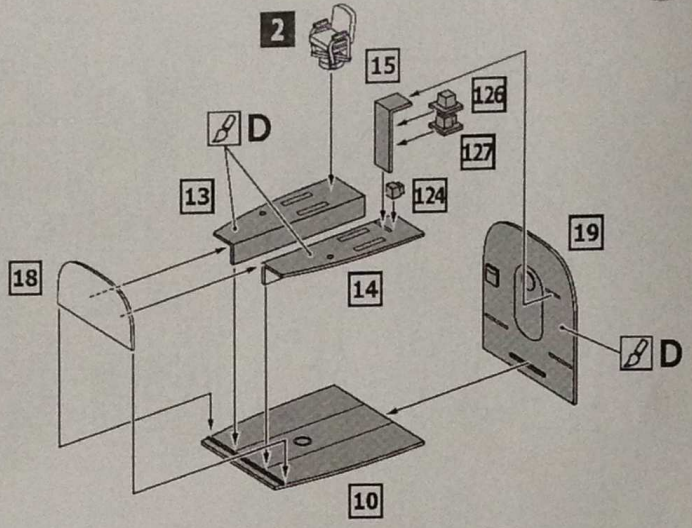
2

- 119
- 120
- 132
- 137



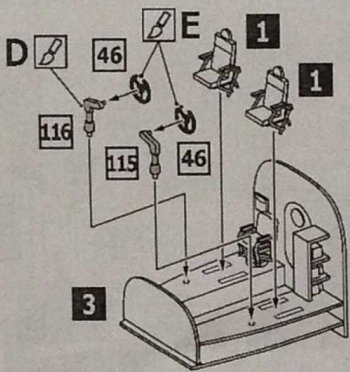
3

- 2
- 10
- 13
- 14
- 15
- 18
- 19
- 124
- 126
- 127



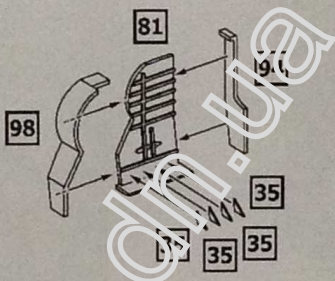
4

- 1 x2
- 3
- 46 x2
- 115
- 116



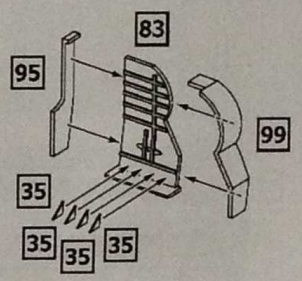
5

- 35 x4
- 81
- 94
- 98



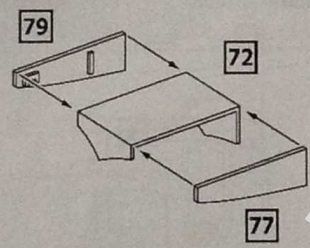
6

- 35 x4
- 83
- 95
- 99



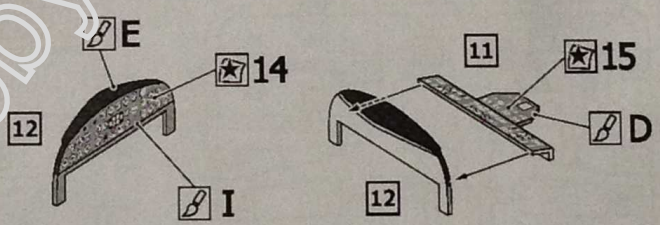
7

- 72
- 77
- 79



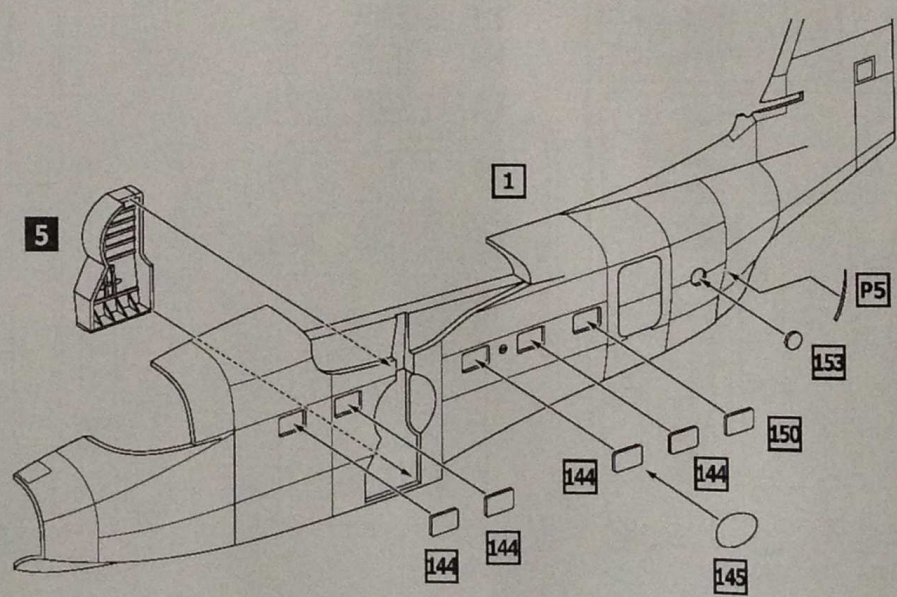
8

- 11
- 12
- 14
- 15



9

- 5
- 1
- 144 x4
- 145
- 150
- 153
- P5

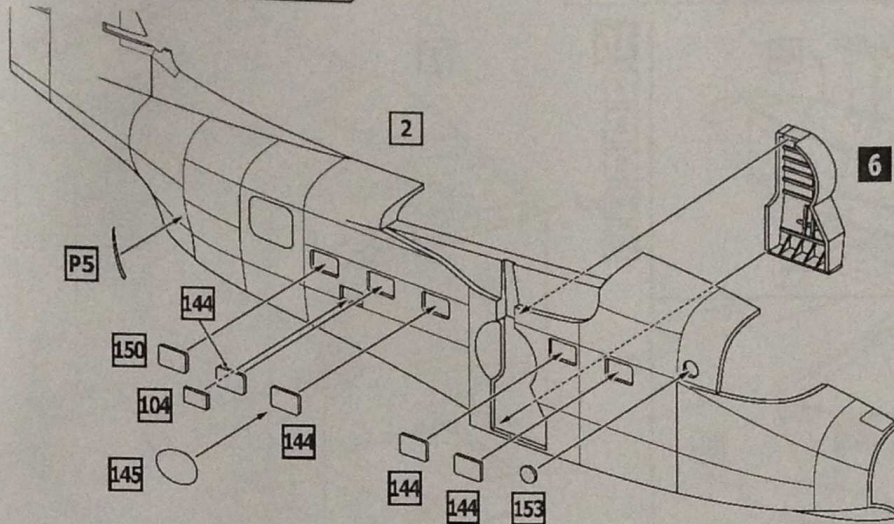


ASSEMBLY INSTRUCTION



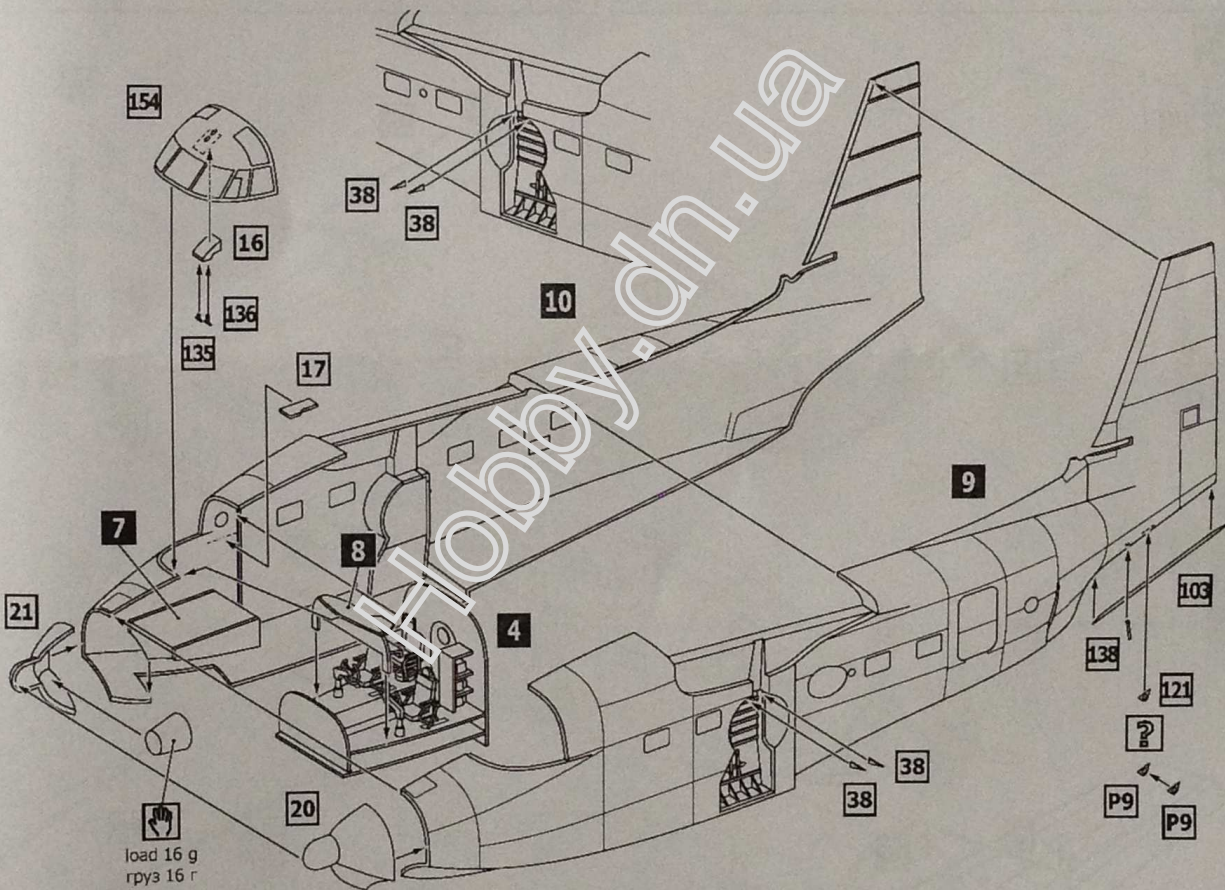
10

- 6**
- 2**
- 104**
- 144** x4
- 145**
- 150**
- 153**
- P5**



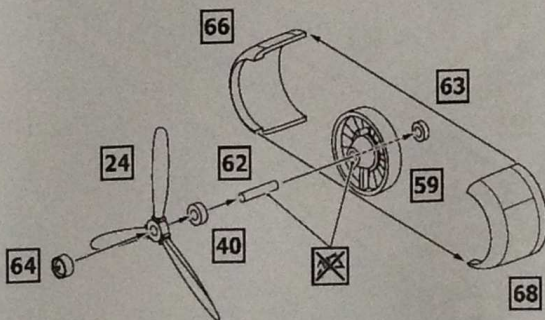
11

- 4**
- 7**
- 8**
- 9**
- 10**
- 16**
- 17**
- 20**
- 21**
- 38** x4
- 103**
- 121**
- 135**
- 136**
- 138**
- 154**
- P9** x2



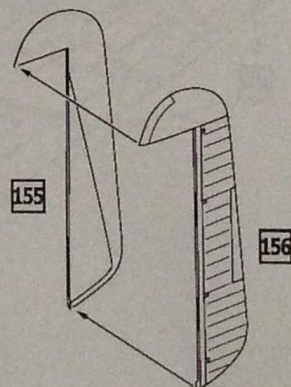
12 x2

- 24** x2
- 40** x2
- 59** x2
- 62** x2
- 63** x2
- 64** x2
- 66** x2
- 68** x2



13

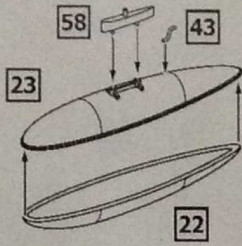
- 155**
- 156**



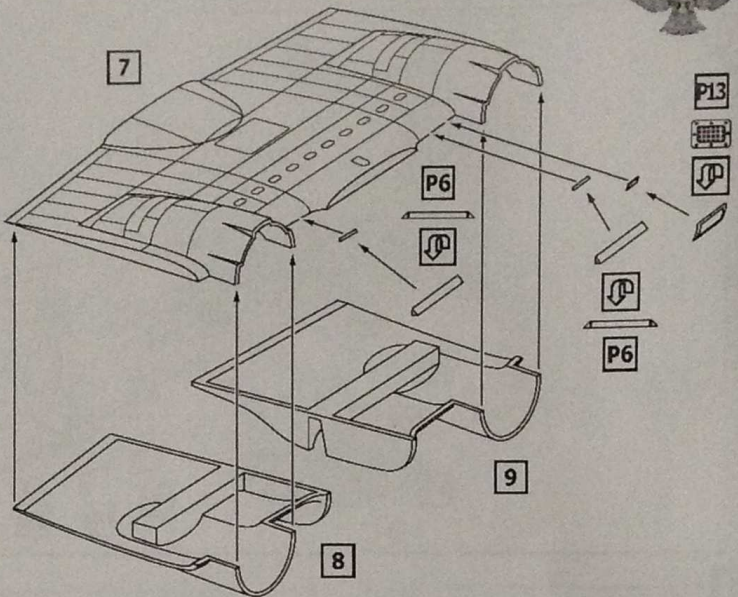
ASSEMBLY INSTRUCTION



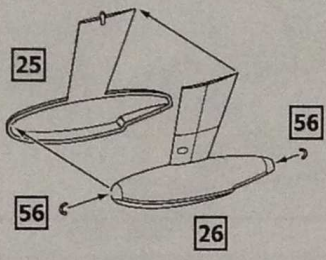
- 14** x2
- 22** x2
- 23** x2
- 43** x2
- 58** x2



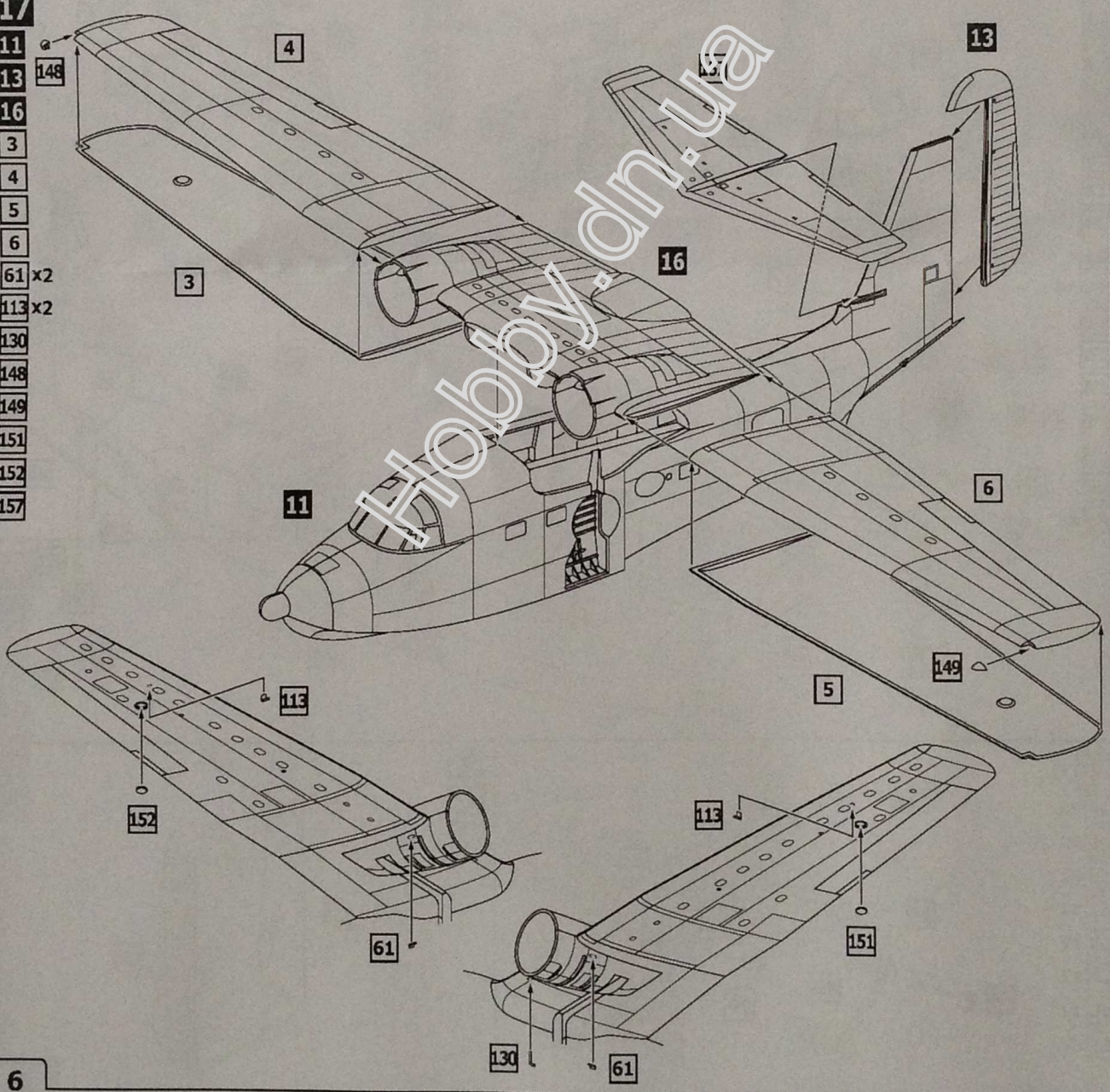
- 16**
- 7**
- 8**
- 9**
- P6** x2
- P13**



- 15** x2
- 25** x2
- 26** x2
- 56** x4



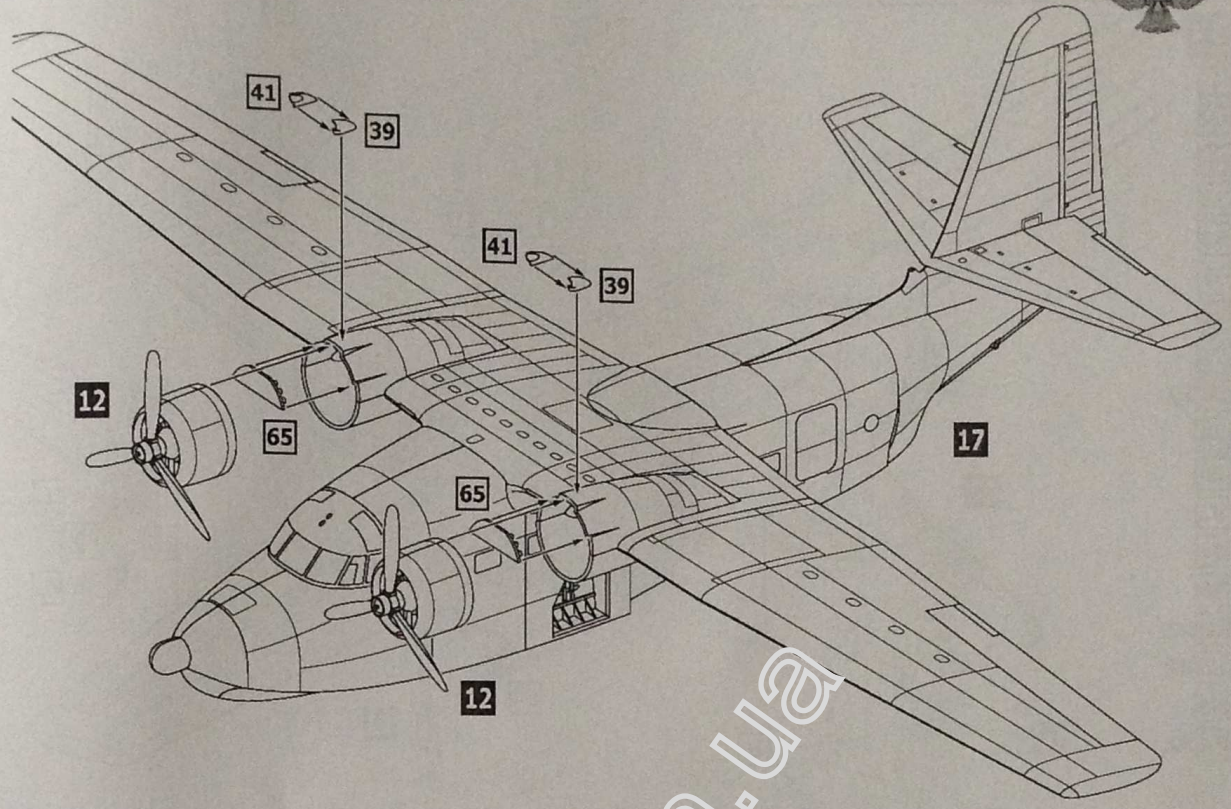
- 17**
- 11**
- 13** 148
- 16**
- 3**
- 4**
- 5**
- 6**
- 61** x2
- 113** x2
- 130**
- 148**
- 149**
- 151**
- 152**
- 157**



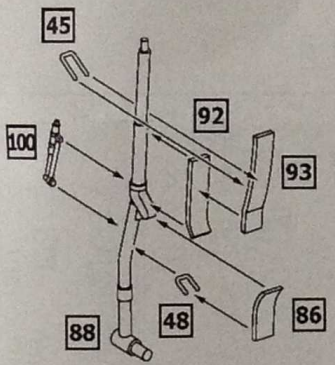
ASSEMBLY INSTRUCTION



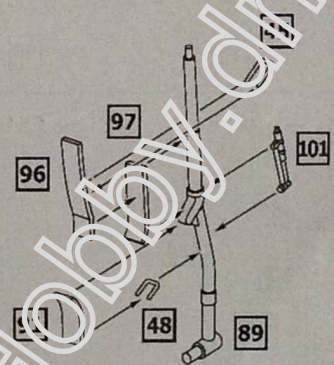
- 18**
- 12** x2
- 17**
- 39** x2
- 41** x2
- 65** x2



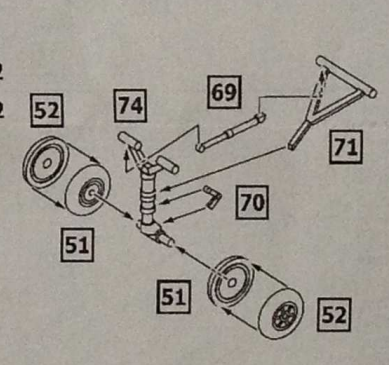
- 19**
- 45**
- 48**
- 86**
- 88**
- 92**
- 93**
- 100**



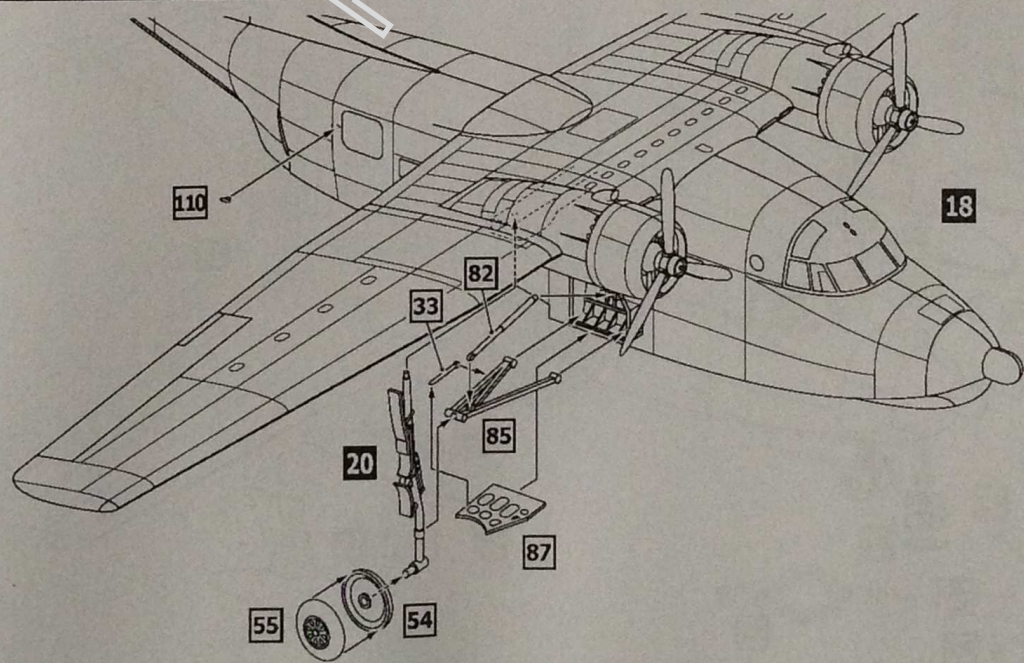
- 20**
- 45**
- 48**
- 89**
- 91**
- 96**
- 97**
- 101**



- 21**
- 51** x2
- 52** x2
- 69**
- 70**
- 71**
- 74**



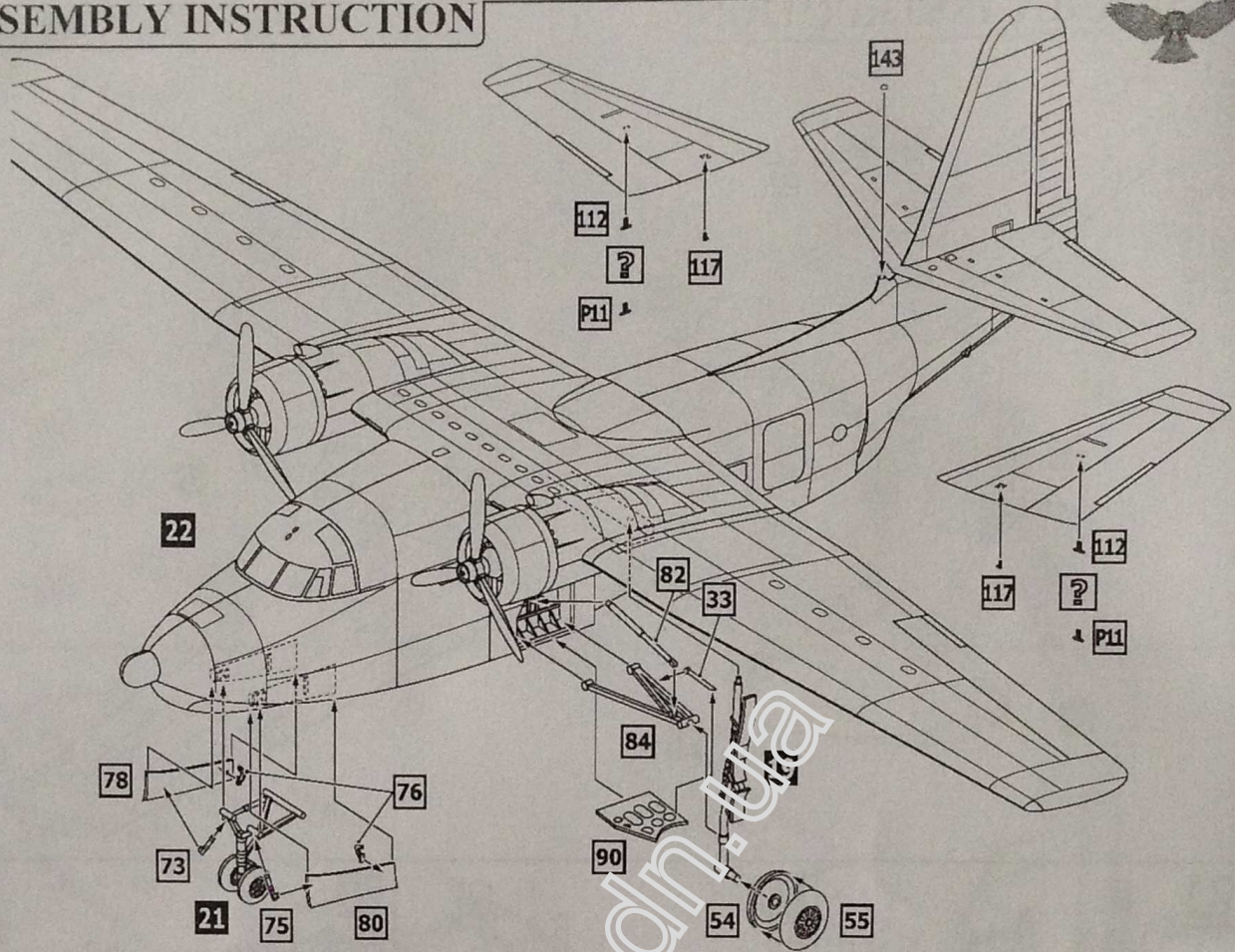
- 22**
- 18**
- 20**
- 33**
- 54**
- 55**
- 82**
- 85**
- 87**
- 110**



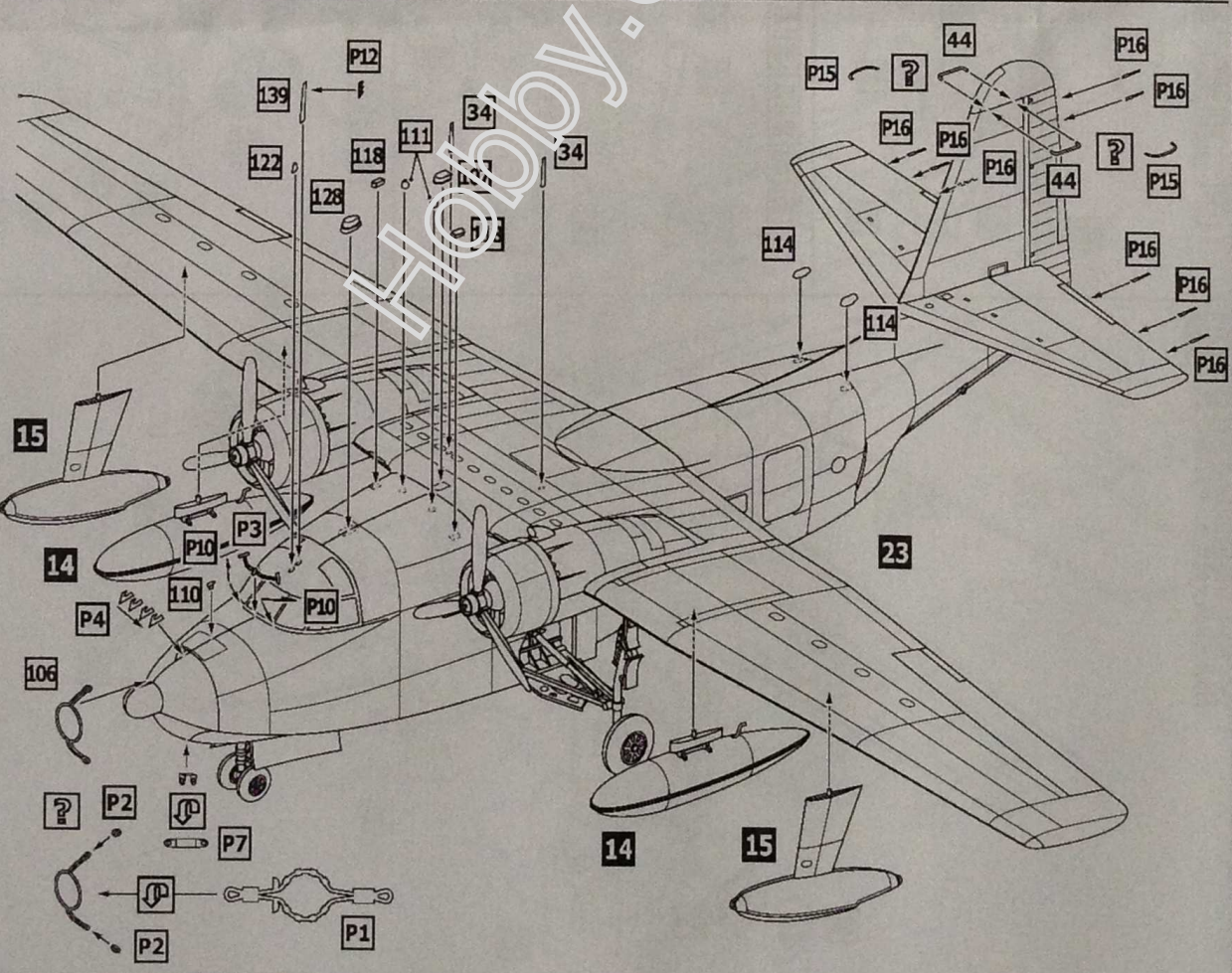
ASSEMBLY INSTRUCTION



- 23**
- 19**
- 21**
- 22**
- 33**
- 54**
- 55**
- 73**
- 75**
- 76** x2
- 78**
- 80**
- 82**
- 84**
- 90**
- 112** x2
- 117** x2
- 143**
- P11** x2



- 24**
- 14** x2
- 15** x2
- 23**
- 34** x2
- 44** x2
- 106**
- 107**
- 110**
- 111** x2
- 114** x2
- 118** x2
- 122**
- 128**
- 139**
- P1**
- P2** x2
- P3**
- P4** x4
- P7**
- P10** x2
- P12**
- P15** x2
- P16** x8



MARKING & PAINTING

G-111 Albatross

